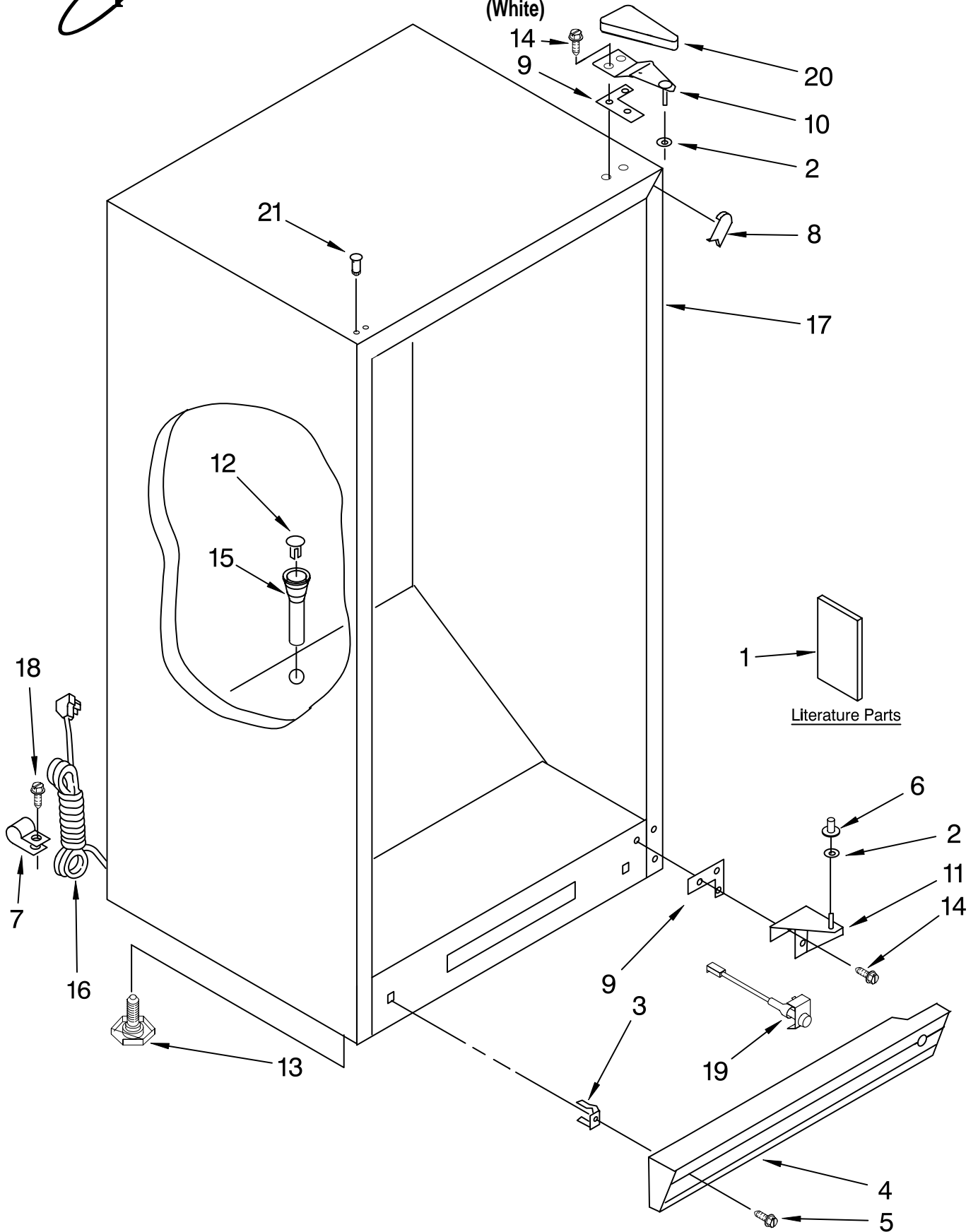




# CABINET PARTS

VERTICAL FREEZER

For Model: EV161FZRQ00  
(White)



FOR ORDERING INFORMATION REFER TO PARTS PRICE LIST

# CABINET PARTS

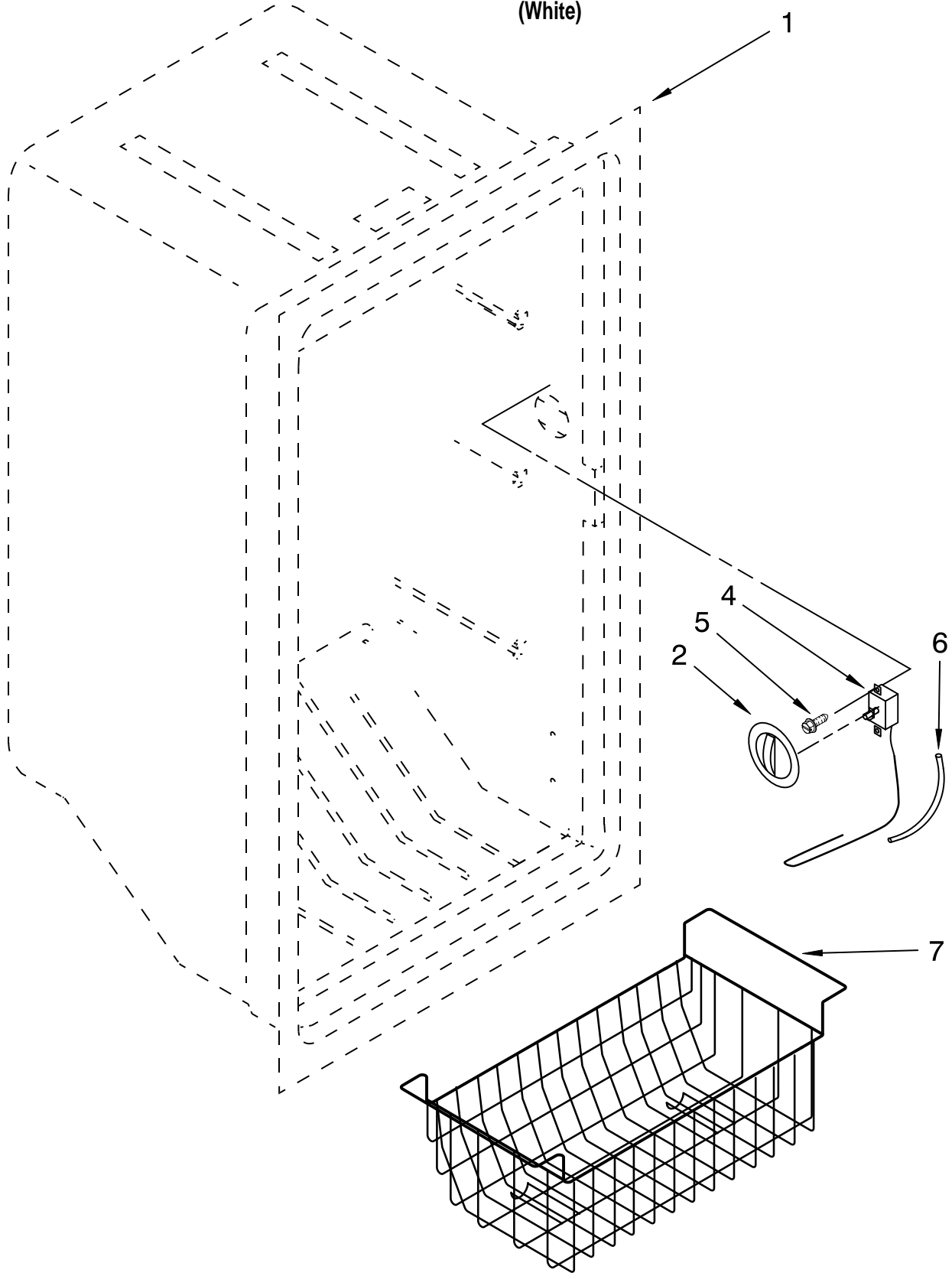
For Model: EV161FZRQ00  
(White)

| <b>Illus.<br/>No.</b> | <b>Part<br/>No.</b> | <b>DESCRIPTION</b>                  |
|-----------------------|---------------------|-------------------------------------|
| 1                     |                     | Literature Parts                    |
|                       | 8210432             | Owners Manual                       |
|                       | 8210396             | Energy Label/Tag                    |
| 2                     | 4390520             | Washer, Door<br>Spacer              |
| 3                     | 4356803             | Clip, Grille                        |
| 4                     | 8210293             | Grille                              |
| 5                     | 4357139             | Screw                               |
| 6                     | 4390659             | Bushing, Hinge                      |
| 7                     | 4356643             | Clamp, Tube                         |
| 8                     | 8210227             | Corner Filler (2)                   |
| 9                     | 4390489             | Shim, Bottom                        |
| 10                    | 8210222             | Hinge, Top                          |
| 11                    | 8210238             | Hinge, Bottom                       |
| 12                    | 4357019             | Drain Plug                          |
| 13                    | 4390866             | Leg, Leveler                        |
| 14                    | 4356830             | Screw                               |
| 15                    | 4357269             | Grommet, Drain                      |
| 16                    | 8210375             | Cord, Power                         |
| 17                    |                     | Cabinet (Not A<br>Serviceable Part) |
| 18                    | 4357139             | Screw                               |
| 19                    | 4390905             | Power Light<br>Assembly             |
| 20                    | 4357279             | Cover, Hinge                        |
| 21                    | 4390596             | Plug, Hole<br>(White)               |

FOR ORDERING INFORMATION REFER TO PARTS PRICE LIST

# LINER PARTS

For Model: EV161FZRQ00  
(White)



FOR ORDERING INFORMATION REFER TO PARTS PRICE LIST

# LINER PARTS

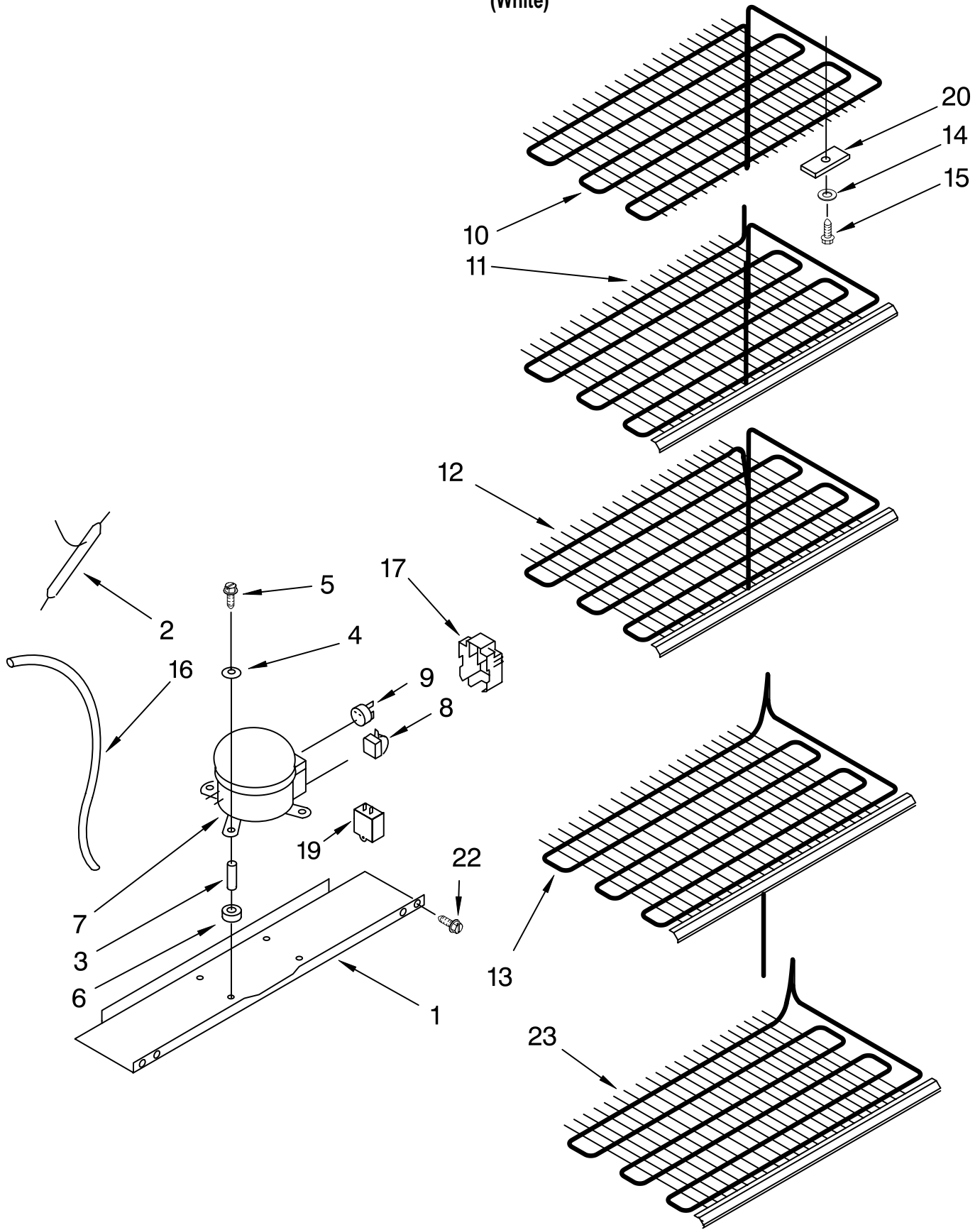
For Model: EV161FZRQ00  
(White)

| <b>Illus.<br/>No.</b> | <b>Part<br/>No.</b> | <b>DESCRIPTION</b>                |
|-----------------------|---------------------|-----------------------------------|
| 1                     |                     | Liner (Not A<br>Serviceable Part) |
| 2                     | 8210348             | Knob, Control                     |
| 4                     | 8210395             | Thermostat                        |
| 5                     | 4357042             | Screw                             |
| 6                     | 8210246             | Tubing,<br>Thermostat             |
| 7                     | 4390621             | Basket                            |

FOR ORDERING INFORMATION REFER TO PARTS PRICE LIST

# UNIT PARTS

For Model: EV161FZRQ00  
(White)



FOR ORDERING INFORMATION REFER TO PARTS PRICE LIST

# UNIT PARTS

For Model: EV161FZRQ00  
(White)

| <u>Illus. No.</u> | <u>Part No.</u> | <u>DESCRIPTION</u>                           |
|-------------------|-----------------|--|
| 1                 | 4357257         | Pan, Compressor Mounting                     |
| 2                 | 4357299         | Drier  |
| 3                 | 4356846         | Sleeve, Grommet                              |
| 4                 | 4356847         | Washer                                       |
| 5                 | 8210220         | Screw, Compressor Mounting                   |
| 6                 | 4356335         | Grommet                                      |
| 7                 | 4390734         | Compressor<br>(Includes Items 6, 8, 9, & 17) |
| 8                 | 4356738         | Relay  |
| 9                 | 4390624         | Overload                                     |
| 10                | 8210398         | Evaporator, Top                              |
| 11                | 8210304         | Evaporator Shelf                             |
| 12                | 8210305         | Evaporator Shelf                             |
| 13                | 8210306         | Evaporator Shelf                             |
| 14                | 4357057         | Washer                                       |
| 15                | 4357223         | Screw, Evaporator Mounting                   |
| 16                | 4390881         | Heat Exchanger                               |
| 17                | 4356777         | Cover  |
| 19                | 8210273         | Capacitor                                    |
| 20                | 4356854         | Clamp  |
| 22                | 4356820         | Screw  |
| 23                | 8210257         | Evaporator Shelf, Bottom                     |

## REFRIGERANT CHARGE

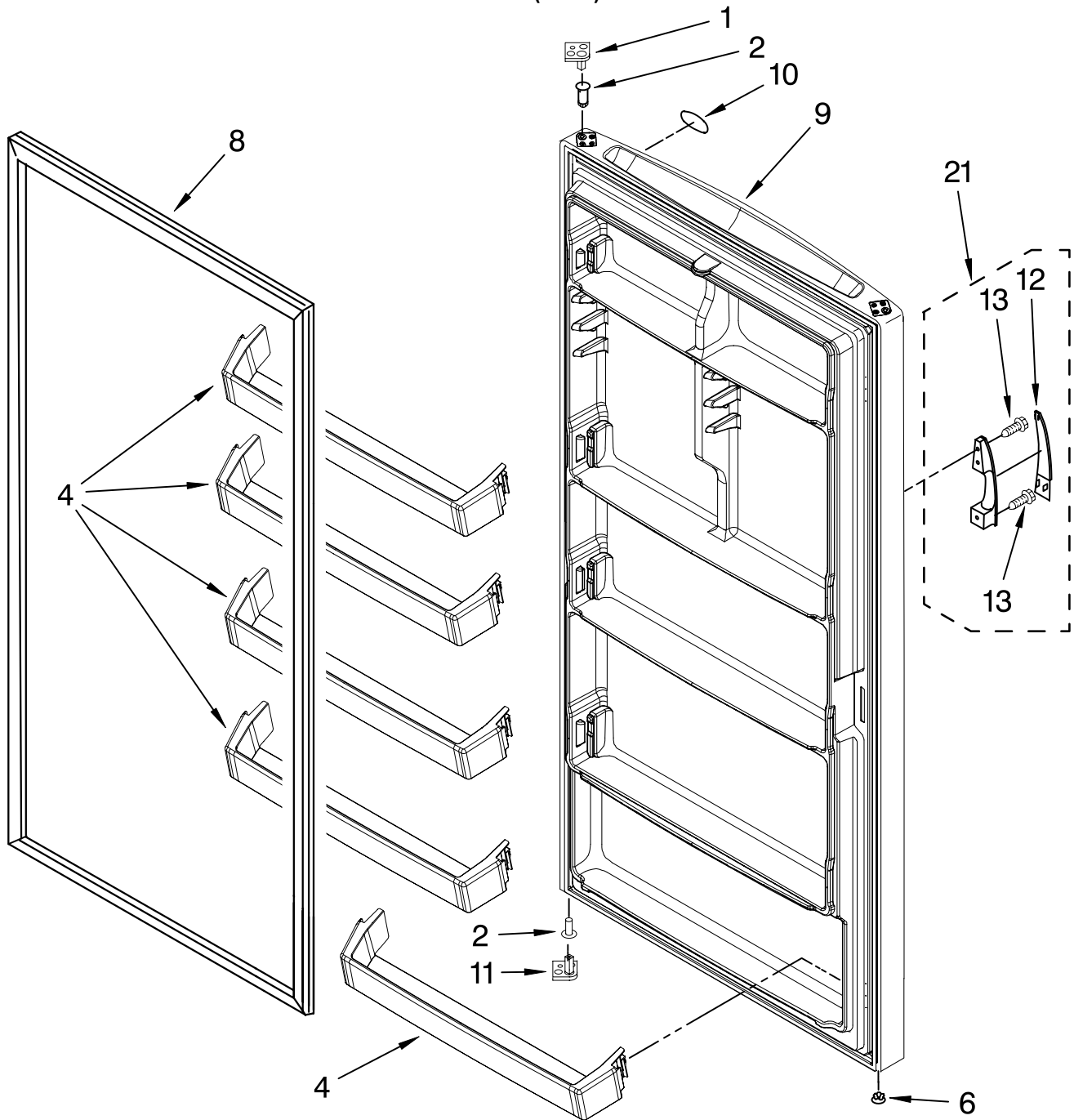
6.9 oz.  
(R-134A)



FOR ORDERING INFORMATION REFER TO PARTS PRICE LIST

# DOOR PARTS

For Model: EV161FZRQ00  
(White)



| Illus. No. | Part No. | DESCRIPTION      |
|------------|----------|------------------|
| 1          |          | Stop, Door (Top) |
|            | 8210401  | White            |
| 2          | 4390659  | Hinge, Bushing   |
| 4          | 8210397  | Rail, Door (5)   |
| 4          | 4357067  | Vent Plug        |
| 8          | 8210340  | Gasket, Door     |

| Illus. No. | Part No. | DESCRIPTION                             |
|------------|----------|---|
| 9          | 8210363  | Door Assembly (Includes Interior Liner) |
| 10         | 4390656  | Nameplate                               |
| 11         |          | Stop, Door (Bottom)                     |
|            | 8210400  | Natural                                 |

| Illus. No. | Part No. | DESCRIPTION                              |
|------------|----------|--|
| 12         | 4390668  | Insert, Handle                           |
| 13         | 4390669  | Screw                                    |
| 21         | 4390667  | Handle Assembly (Includes Items 12 & 13) |

FOR ORDERING INFORMATION REFER TO PARTS PRICE LIST

# OPTIONAL PARTS (NOT INCLUDED)

For Model: EV161FZRQ00  
(White)

| <u>Illus. No.</u>  | <u>Part No.</u> | <u>DESCRIPTION</u> |
|--|-----------------|--------------------|
| <hr/>  |                 |                    |
| Parts Not Illustrated and<br>Optional Parts (Not Included) |                 |                    |
| <hr/>  |                 |                    |

## Customer Touch-Up Material

- \*350930 Enamel, White  
(13 Oz. Spray Can)
- 72107 Brush Touch-Up Kit  
(White)

**\*Important:** The spray paint is not to be used where the paint may make contact with the door gaskets.

## Refinishing Material

- 799344 Enamel, White  
(1 Qt. Uncut)

## Miscellaneous

- 212643 Sealer, Gum  
(4 Feet)
- 479502 Tape, Vinyl  
(3/4 x 108")
- 978941 Insulation  
Fiberglass  
(63-1/2" x 35-1/2  
x 2-5/8")
- 505587 Sealer Mastic  
(1 Qt.)
- 503695 Cork Sealer  
(1/4 Pound)

FOR ORDERING INFORMATION REFER TO PARTS PRICE LIST



## Free Manuals Download Website

<http://myh66.com>

<http://usermanuals.us>

<http://www.somanuals.com>

<http://www.4manuals.cc>

<http://www.manual-lib.com>

<http://www.404manual.com>

<http://www.luxmanual.com>

<http://aubethermostatmanual.com>

Golf course search by state

<http://golfingnear.com>

Email search by domain

<http://emailbydomain.com>

Auto manuals search

<http://auto.somanuals.com>

TV manuals search

<http://tv.somanuals.com>