

No-Frost
Refrigerator-Freezer

Use and Care Guide

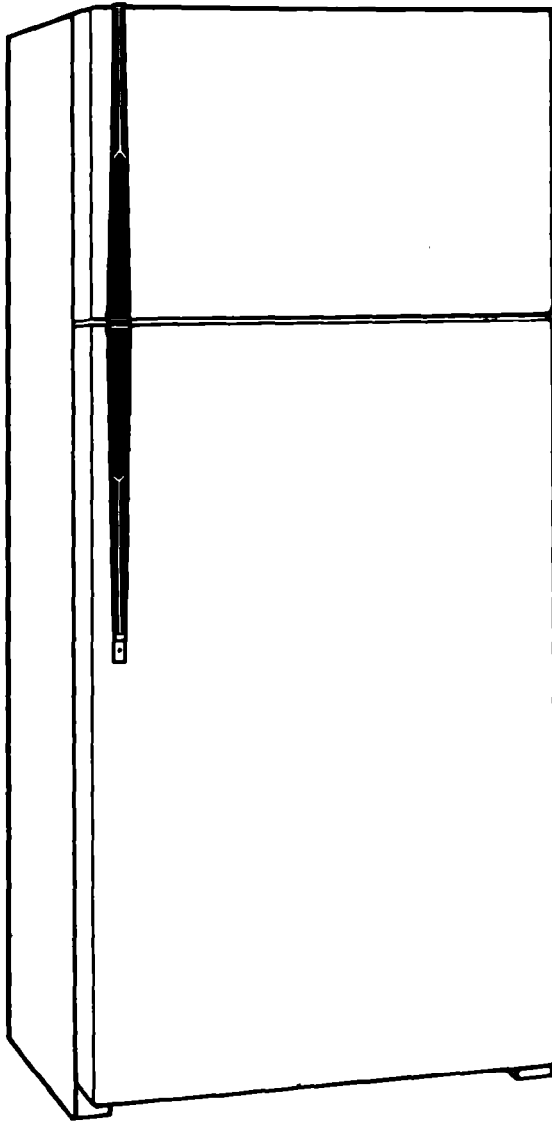
ROPER

Appliances

RT12DC

RT14DK

RT14DM



Thank you for choosing a Roper Appliance.

This Use and Care Guide will help you operate and maintain your new, quality-built Roper refrigerator-freezer. Keep this Use and Care Guide in a safe place for future reference.

Complete and mail the Product Registration Card.

This card enters your warranty into our warranty system that ensures efficient claim processing, can be used as a proof of purchase for insurance claims and helps Roper to contact you immediately in the unlikely event of a product-safety recall.

NOTE: Because this Use and Care Guide covers several models, not all features discussed will apply to your specific model.

You are responsible for

It is your responsibility to be sure your refrigerator:

- Has been properly installed and leveled according to the installation instructions given on page 2.
- Is installed on a floor that can support the weight of the refrigerator.
- Is properly connected to a grounded electrical circuit that meets the electrical requirements on page 2.
- Is properly used only for the job it was designed to do.
- Is not used by children or anyone unable to operate it properly.
- Is cold in both the refrigerator and freezer sections before food is added.
- Is properly maintained.

Contents

	Page
Important Safety Instructions _____	2
Before Using Your Refrigerator _____	2
Parts and Features _____	3
Using Your Refrigerator _____	4
Setting the controls _____	4
Changing control settings _____	4
Exterior moisture control _____	4
Adjusting refrigerator shelves _____	4
Removing crisper and crisper cover _____	5
Ice cube trays _____	5
Automatic ice maker _____	5
Changing the light bulb _____	5
Normal operating sounds _____	6
Energy saving tips _____	6
Reversing the door swing _____	6
Food Storage Guide _____	6
Cleaning Your Refrigerator _____	7
Caring For Your Refrigerator _____	8
If electricity goes off _____	8
Vacation and moving guide _____	8
Before You Call For Service _____	9
Warranty _____	12
How to get service or assistance _____	12

Important Safety Instructions

⚠️ WARNING

To reduce the risk of fire, electrical shock, or injury when using your refrigerator, follow basic precautions including the following:

1. Read all operating instructions before using your refrigerator.
2. Child entrapment and suffocations are not problems of the past. Junked or abandoned refrigerators are still dangerous...even if they will "just sit in the garage for a few days."

If you are getting rid of your old refrigerator, do it safely. Please read the enclosed safety booklet from the Association of Home Appliance Manufacturers. Help prevent accidents.

3. Never allow children to operate, play with, or crawl inside the refrigerator.

4. Never clean refrigerator parts with flammable fluids. The fumes can create a fire hazard or explosion.

▪ **FOR YOUR SAFETY** ▪
DO NOT STORE OR USE GASOLINE OR OTHER FLAMMABLE VAPORS AND LIQUIDS IN THE VICINITY OF THIS OR ANY OTHER APPLIANCE. THE FUMES CAN CREATE A FIRE HAZARD OR EXPLOSION.

▪ **SAVE THESE INSTRUCTIONS** ▪

Before Using Your Refrigerator

A. Remove labels

Remove the tape and any inside labels before using the refrigerator. To remove any remaining glue:

- Rub briskly with thumb to make a ball, then remove.

OR

- Soak area with liquid hand dishwashing detergent before removing glue as described above.

Do not use sharp instruments, rubbing alcohol, flammable fluids or abrasive cleaners. These can damage the material. See "Important Safety Instructions" above.

NOTE: Do not remove the Tech Sheet located on the bottom of the refrigerator.

B. Clean it

Clean your refrigerator before using it. See cleaning instructions on page 7.

C. Plug it in

Recommended Grounding Method

A 115 Volt, 60 Hz., AC only 15 or 20 ampere fused and properly grounded electrical supply is required. It is recommended that a separate circuit serving only this appliance be provided. Use a receptacle which cannot be turned off with a switch or pull chain. Do not use an extension cord.

See Electrical Requirements and Grounding Instruction Sheet in literature package for complete details.

D. Install properly

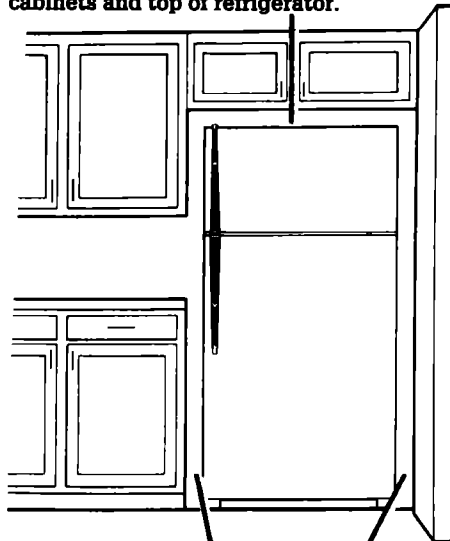
Install the refrigerator according to the dimensions shown below.

Leave extra space along the hinge-side wall to allow the door to be opened wider.

Do not install the refrigerator:

- next to an oven, radiator or other heat source;
- out in the weather or direct sunlight;
- in an area where the room temperature will fall below 55°F (13°C).

3 in. (7.5 cm) min. between overhead cabinets and top of refrigerator.

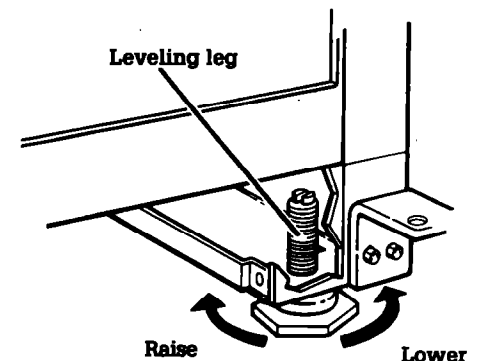


1/2 in. (1.25 cm) on each side of the refrigerator for easier installation.

1 in. (2.5 cm) min. between refrigerator condenser coils and the back wall.

E. Level refrigerator

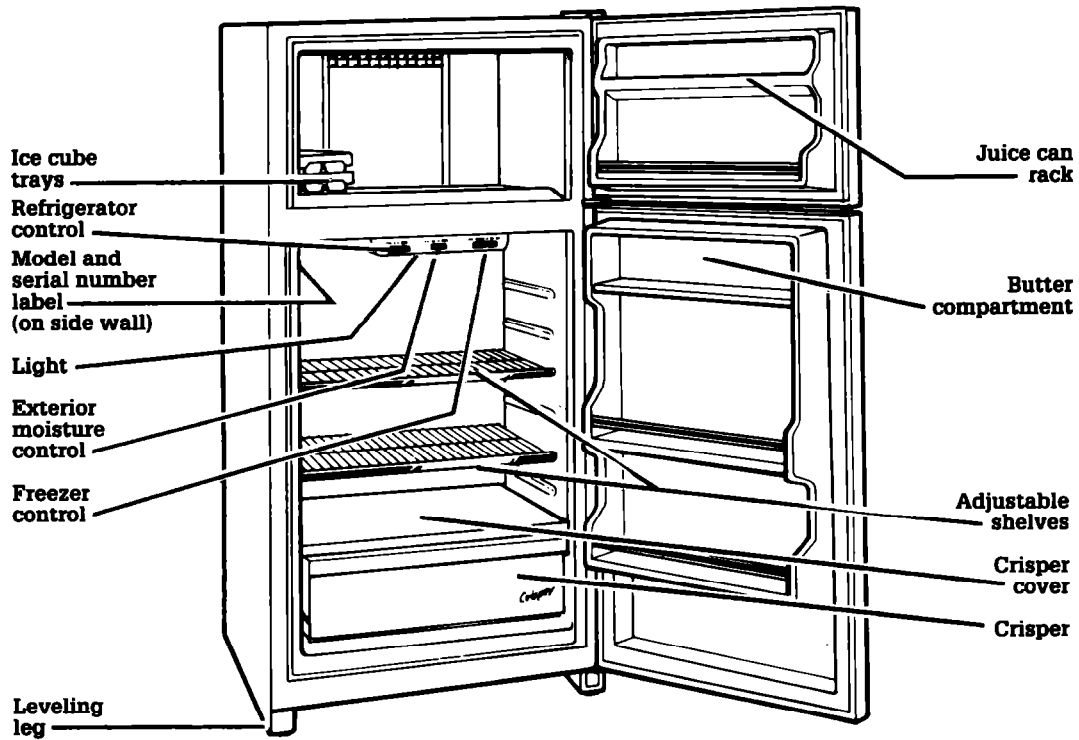
Make sure the refrigerator is level for efficient operation.



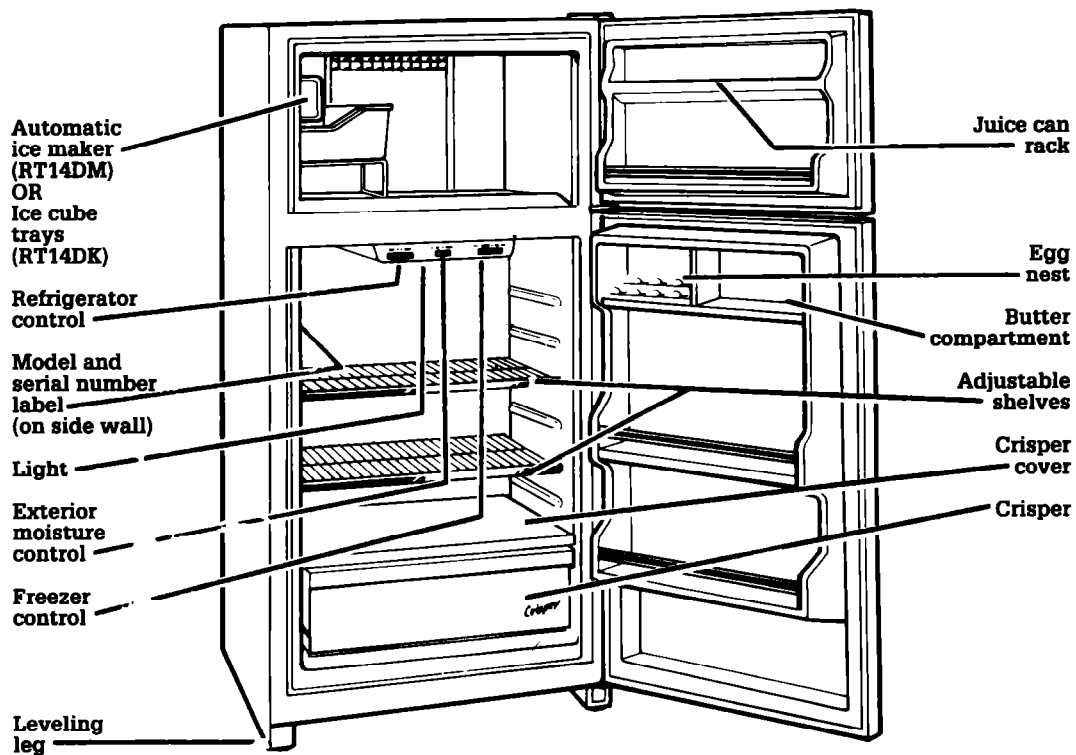
1. Keep the 4 bolts that held the refrigerator in the shipping crate. They are the leveling legs.
2. Screw these bolts all the way into bolt holes at the bottom corners of refrigerator.
3. Adjust each leg so that refrigerator does not rock.
4. Slide refrigerator into place.
5. Place a level on top of the refrigerator — first side to side then front to back. Turn leg to the left to raise the corner of the refrigerator. Turn leg to the right to lower the corner of the refrigerator.
6. Check the levelness again and repeat step 5 until the refrigerator is level.

Parts and Features

Model RT12DC



Models RT14DK, RT14DM (shown)



Using Your Refrigerator

Setting the controls

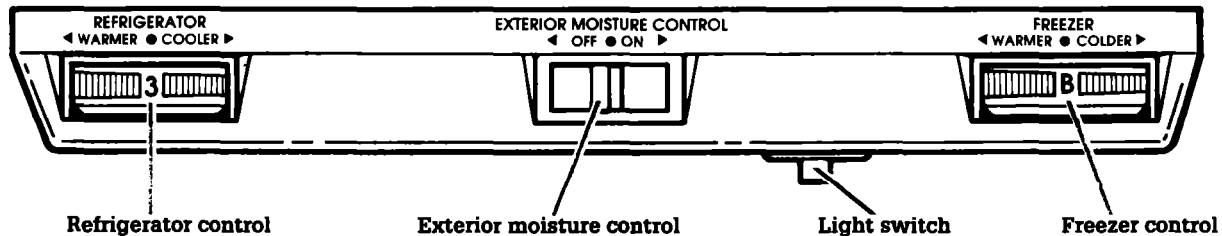
Controls for the refrigerator and freezer are in the refrigerator. When the refrigerator is plugged in for the first time:

1. Set the Refrigerator Control to 3.
2. Set the Freezer Control to B.

3. Let the refrigerator and freezer compartments get cold for several hours before adding food.
4. When the refrigerator keeps milk or juice as cold as you like and the freezer compartment keeps ice cream firm, the settings are correct for your household.

Changing control settings

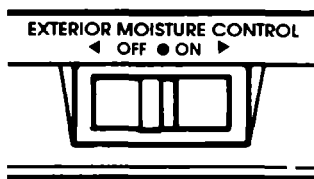
1. Adjust the Refrigerator Control according to the settings listed in the chart below.
2. Wait 24 hours or more before making additional adjustments to the Refrigerator Control or adjusting the Freezer Control.



Condition	Check if	Set control setting
Refrigerator section TOO WARM	<ul style="list-style-type: none"> ▪ Door is opened often. ▪ Large amount of food added. ▪ Too-warm room temperature. 	Refrigerator 4 Freezer C
Freezer section TOO WARM	<ul style="list-style-type: none"> ▪ Door is opened often. ▪ Large amount of food added. ▪ Too-cold room temperature (freezer can't cycle often enough). 	Refrigerator 3 Freezer A
Both sections TOO WARM	<ul style="list-style-type: none"> ▪ Door is opened often. ▪ Large amount of food added. ▪ Too-warm or too-cold room temperatures. 	Refrigerator 4 Freezer B
Refrigerator section TOO COLD	<ul style="list-style-type: none"> ▪ Controls not set correctly. 	Refrigerator 2 Freezer B
Ice is not made fast enough	<ul style="list-style-type: none"> ▪ Heavy ice usage. ▪ Very cold room temperature (freezer can't cycle often enough). 	Refrigerator 3 Freezer A

Exterior moisture control

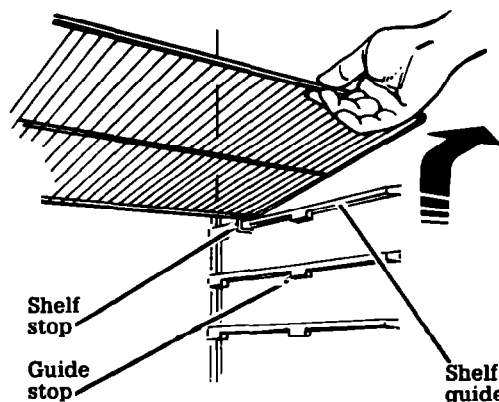
The Exterior Moisture Control operates electric heaters around the door openings. These heaters help keep moisture from forming on the outside of the refrigerator.



1. Use the OFF setting when humidity is low.
2. Use the ON setting if moisture forms on the outside of the refrigerator.

Adjusting refrigerator shelves

Shelves can be adjusted to match the way you use your refrigerator.



To remove:

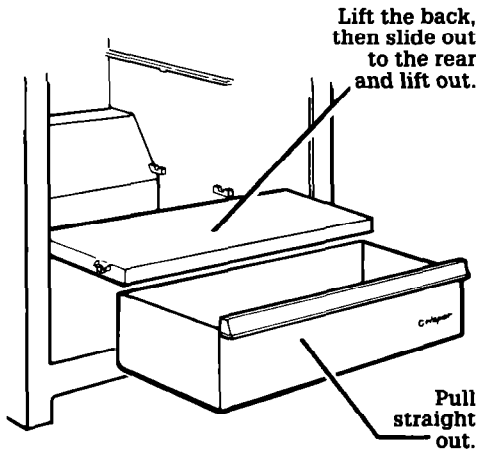
1. Remove food from shelf.
2. Slide shelf straight forward to the guide stops.
3. Lift front until shelf clears stops, then slide shelf out the rest of the way.

To replace:

1. Fit back of shelf on top of guides with wire stops on the bottom of the guides.
2. Lift front and slide shelf in until it clears guide stops. Slide shelf in the rest of the way.

Removing crisper and crisper cover

Model RT12DC



To remove crisper:

1. Slide crisper straight out.
2. Replace in reverse order.

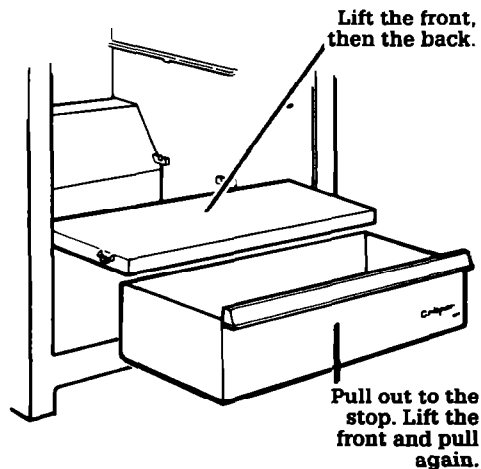
To remove cover:

1. Lift back, then slide to the rear until the front can be lifted.
2. Lift cover up and out.

To replace cover:

1. Slide the front cover tabs in from the rear of the front supports on the refrigerator walls.
2. Lower back of cover into place.

Models RT14DK and RT14DM



To remove crisper:

1. Slide crisper straight out to the stops.
2. Lift the front.
3. Slide crisper out the rest of the way.
4. Replace in reverse order.

To remove cover:

1. Lift the front, then the back.
2. Pull up and out.

To replace cover:

1. Fit cover notches on back of cover into back nubs on walls of refrigerator.
2. Lower front into place.

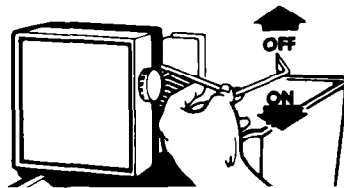
Ice cube trays (RT12DC and RT14DK)

Remove ice by slightly twisting the tray with both hands.

NOTE: The longer ice cubes are stored, the smaller they get. Slow evaporation is caused by the movement of cold air.

Automatic ice maker

Model RT14DM includes a factory-installed ice maker. The ice maker is an optional accessory for model RT14DK.



- Connect the ice maker to the water supply before turning it on.
- The ON/OFF lever is a wire signal arm. Lower signal arm to make ice. Raise signal arm to turn off the ice maker.
- Freezer must be cold enough for the ice maker to work. This may take eight hours or more before the correct temperature is reached.
- "First" ice may be discolored or off-flavored because of new plumbing connections. Throw away first few batches of ice.
- Change ice cube size with the dial or lever on the side of the ice maker.
- Ice crescents are normally attached at the corner. They break apart easily.
- Normal sounds include water running when the ice maker is working and the thud of ice as it falls into the bin.
- If ice is not being made fast enough and more ice is needed, turn the Refrigerator Control to a higher number. Wait 24 hours, and if this does not increase the ice supply, turn the Freezer Control to A.
- Raise the signal arm before you remove the ice bin. When you replace the bin, push it in all the way. Then lower the arm to the ON position.

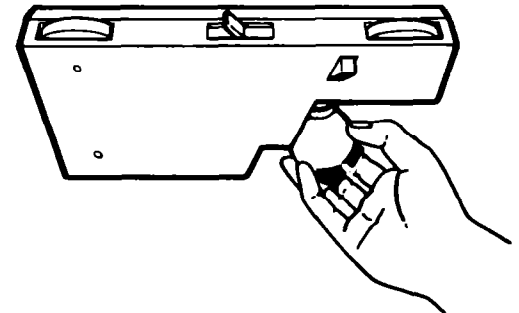
- Cubes left in the bin for long periods of time may develop an off-flavor, like stale water. Throw old cubes away. Cubes may also become smaller if stored for a long time.
- Good water quality is important for good ice quality. It is not recommended that you connect the ice maker to a softened water supply. If a softened water supply cannot be avoided, it is important to maintain the water softener so it operates properly. Water softener chemicals, such as salt from a malfunctioning softener, can damage the ice maker mold and lead to poor quality ice.

Changing the light bulb

⚠ WARNING

Electrical Shock Hazard

Unplug the refrigerator or disconnect the main electric power supply to the refrigerator before changing a bulb. Failure to do so can result in electrical shock or injury.



1. Disconnect refrigerator from power supply.
2. Remove the bulb from the socket located behind the Control Console and throw the burned-out bulb away.
3. Replace with a 40-watt appliance bulb.
4. Reconnect power supply.

NOTE: Not all commercial appliance bulbs will fit your refrigerator. Be sure to replace a bulb with one of the same size and shape.

Normal operating sounds

You can expect to hear the following sounds when your refrigerator is operating:

- **Slight hum or soft hiss** as the refrigerator's fan motor moves air.
- **Clicking or snapping** sounds occur when the refrigerator starts and stops running. The defrost timer also clicks when the defrost cycle starts and stops.
- **Water sounds** occur as water gurgles through tubing for a few minutes after refrigerator stops running. You may also hear defrost water running into the defrost-water pan.
- **Buzzing sounds** (from the ice maker water valve), trickling water and clatter (or thud) of ice may be heard if you have an ice maker.

- **Operating sounds** from the high-efficiency compressor and motor. It may run longer than your older refrigerator.

Energy saving tips

- Check the door gaskets for a tight seal. Level the refrigerator to be sure of a good seal.
- Clean dust and lint from the condenser coils every other month.
- Open the doors as seldom as possible. Decide what you need before you open the door. Remove everything you need at one time. Organize and label food so you will not have to search for items you want. Close door immediately after you remove food items.
- Store food in the refrigerator and freezer so that air movement is not blocked.

- Set the refrigerator and freezer temperatures so that the drinks remain cold enough for your family's taste and ice cream remains firm. Do Not set temperatures colder than they need to be.
- Set the Exterior Moisture Control to the OFF position unless moisture forms on the outside of the refrigerator.
- Do Not install your refrigerator next to your range, water heater, furnace, radiator, other heat sources or in direct sunlight.

Reversing the door swing (RT14DK and RT14DM)

Change the direction the doors swing by following the instruction sheet in the literature package.

Food Storage Guide

Storing fresh food

Food placed in the refrigerator should be wrapped or stored in air and moisture proof material. This prevents food odor and taste transfer throughout the refrigerator. For dated products, check code date to ensure freshness.

Vegetables

For leafy vegetables: remove store wrapping and trim or tear off bruised and discolored areas. Wash in cold water and drain. Place in plastic bag or plastic container and store in crisper. **For vegetables with skins:** store in crisper, plastic bags or plastic container.

Fruit

Wash, let dry and store in refrigerator in plastic bags or crisper. Do not wash or hull berries until they are ready to use. Sort and keep berries in their store container in a crisper, or store in a loosely closed paper bag on a refrigerator shelf.

Eggs

Store without washing in the original carton on interior shelf or in egg nest (on some models).

Milk

Wipe milk cartons. For best storage, place milk on interior shelf.

Butter or margarine

Keep opened butter in covered dish or butter compartment. When storing an extra supply, wrap in freezer packaging and freeze.

Cheese

Store in the original wrapping until you are ready to use it. Once opened, rewrap tightly in plastic wrap or aluminum foil.

Meat

Most meat can be stored in original wrapping as long as it is air and moisture proof. Rewrap if necessary. See the following chart for storage times.

Fresh and cured meat storage chart*

TYPE	APPROXIMATE TIME (DAYS)
Chicken	1 to 2
Ground beef	1 to 2
Steaks and roasts	3 to 5
Cured meats	7 to 10
Bacon	5 to 7
Cold cuts	3 to 5
Variety meats	1 to 2

*If meat is to be stored longer than the times given, follow the directions for freezing.

NOTE: Fresh fish and shellfish should be used the same day as purchased.

Leftovers

Cover leftovers with plastic wrap or aluminum foil. Plastic containers with tight lids can also be used.

Storing frozen food

The freezer section is designed for storage of commercially frozen food and for freezing food at home. For further information about preparing food for freezing or food storage times, contact your local Cooperative Extension Service or check a freezer guide or cookbook.

Packaging

The secret of successful freezing is in the packaging. The way you close and seal the package must not allow air or moisture in or out. Packaging done in any other way could cause food odor and taste transfer throughout the refrigerator and drying of frozen food.

Rigid plastic containers with tight fitting lids, straight-sided canning/freezing jars, heavy-duty aluminum foil, plastic-coated paper and nonpermeable plastic wraps (made from a saran film) are recommended. Follow package or container instructions for proper freezing methods.

Do not use: bread wrappers, non-rigid plastic containers, containers without tight-fitting lids, waxed paper, wax-coated freezer wrap or thin, semi-permeable wrap. The use of these wrappings could cause food odor and taste transfer and drying of frozen food.

Freezing

Do not expect your freezer to quick-freeze any large quantity of food. Put no more unfrozen food into the freezer than will freeze within 24 hours. (No more than 2 to 3 pounds of food per cubic foot of freezer space.) Leave enough space for air to circulate around packages. Be careful to leave enough room at the front so the door can close tightly. Storage times will vary according to the quality of the food, type of packaging or wrap used (air and moisture proof), and storage temperature which should be 0°F (-17.8°C).

Cleaning Your Refrigerator

Both the refrigerator and freezer sections defrost automatically. To help prevent odors, wipe up spills immediately. Clean both sections once a month.

1. Turn Refrigerator Control to OFF and unplug power cord.
2. Take out all removable parts and clean according to the following directions:

⚠ WARNING

Electrical Shock and Product Damage Hazard

- **Unplug power supply cord or disconnect power supply at the fuse or circuit breaker box before cleaning your refrigerator. Failure to do so could result in electrical shock.**
- **Do Not use sharp instruments, window sprays, scouring cleaners or flammable fluids on your refrigerator. These can scratch or damage the material.**

PART	WHAT TO USE	HOW TO CLEAN
Removable parts (shelves, crisper, etc.)	Sponge or cloth; mild detergent and warm water.	<ul style="list-style-type: none"> ▪ Wash with wet sponge or cloth. ▪ Rinse and dry.
Outside	Sponge, soft cloth or paper towel; mild detergent and warm water; appliance wax (or good auto paste wax).	<ul style="list-style-type: none"> ▪ Wash with wet sponge, cloth or paper towel. ▪ Rinse and dry. ▪ Twice a year — apply appliance wax or good auto paste wax to painted metal surfaces with a clean, soft cloth. Waxing painted, metal surfaces provides rust protection. ▪ Do Not use wax on plastic parts.
Inside walls (Allow the freezer walls to warm up so cloth won't stick)	Sponge, soft cloth or paper towel; mild detergent and warm water OR 2 tablespoons (26 g) baking soda to 1 quart (0.95 l) warm water.	<ul style="list-style-type: none"> ▪ Wash with wet sponge, cloth or paper towel. ▪ Rinse and dry.
Door liners and gaskets	Sponge, soft cloth or paper towel; mild detergent and warm water.	<ul style="list-style-type: none"> ▪ Wash with wet sponge, cloth or paper towel. ▪ Rinse and dry.
Plastics (covers and panels)	Soft, clean sponge or soft cloth; mild detergent and warm water.	<ul style="list-style-type: none"> ▪ Wash with wet sponge or cloth. ▪ Rinse and dry.
Defrost pan (behind refrigerator on top of the motor)	Sponge or soft cloth; mild detergent and warm water.	<ul style="list-style-type: none"> ▪ Move refrigerator out away from wall. ▪ Do Not remove defrost pan. ▪ Wash defrost pan with wet sponge or cloth. ▪ Rinse and dry. ▪ Move refrigerator back into place. ▪ Check levelness of refrigerator.
Condenser coils (behind refrigerator)	Vacuum cleaner with brush attachment.	<ul style="list-style-type: none"> ▪ Move refrigerator out away from wall. ▪ Vacuum dust and lint from condenser coils at least every other month. ▪ Move refrigerator back into place, leaving 1 inch (2.54 cm) between the wall and condenser coils. ▪ Check levelness of refrigerator.
Floor under refrigerator	Floor cleaners.	<ul style="list-style-type: none"> ▪ Move refrigerator out away from wall. ▪ Clean the floor. ▪ Move refrigerator back into place. ▪ Check levelness of refrigerator.

Caring For Your Refrigerator

If electricity goes off

1. Call the power company.

Ask how long power will be off.

2. Keep freezer closed if service is to be interrupted 24 hours or less.

This will help food will stay frozen.

3. If service is to be interrupted longer than 24 hours, do this:

Remove all frozen food and store in a frozen food locker;

OR

Place 2 lbs. (0.9 kg) of dry ice in freezer for every cubic foot of freezer space. This will keep foods frozen for 2 to 4 days.

WARNING

Personal Injury Hazard

Wear gloves to protect your hands from dry ice burns. Failure to do so could result in dry ice burns.

OR

If dry ice or a food locker is not available, use or can perishable food at once.

NOTE: A full freezer stays colder longer than a partly filled one. A freezer full of meat stays colder longer than a freezer full of baked goods.

Food containing ice crystals may be safely refrozen, but the quality and flavor of the food may be affected.

Use refrozen food quickly. If the condition of the food is poor, or you feel it is unsafe to eat, dispose of it immediately.

Vacation and moving guide

Short vacations (less than 4 weeks)

- Use up perishable foods.
- Freeze other food items.
- If you have an automatic ice maker, lift signal arm to turn off the ice maker, shut off ice maker water supply, and empty ice bin.

Long vacations (more than 4 weeks)

- If you have an automatic ice maker, shut off ice maker water supply at least a day before you leave. When last load of ice drops, lift signal arm to turn off ice maker and empty ice bin.
- Remove all food.
- Turn Refrigerator Control to OFF.
- Unplug refrigerator.
- Clean, rinse and dry the interior.
- Keep refrigerator and freezer doors slightly open by taping wood or rubber blocks at the top of each door. This allows air to enter the refrigerator and freezer sections and prevents odors and mold from building up inside while you're away.

WARNING

Personal Injury Hazard

Do Not allow children to climb on, play near or crawl inside the refrigerator when the doors are blocked open. They may become injured or trapped.

- To restart refrigerator when you return, see page 4 for resetting controls.

Moving

- If you have an automatic ice maker, shut off ice maker water supply at least a day before you move. When last load of ice drops, lift signal arm to turn off ice maker and empty ice bin.
- Remove all food.
- Pack frozen foods in dry ice.
- Turn Refrigerator Control to OFF.
- Unplug refrigerator.
- Clean, rinse and dry the interior.
- Take out all removable parts.
- Wrap removable parts in paper and tape them all together. Store inside refrigerator.
- Raise leveling legs.
- Tape the doors shut.
- Tape the electric cord to the cabinet exterior.
- When you reach your new home, replace the removable parts and follow steps beginning on page 2.
- Remember to connect the water supply line if you have an automatic ice maker.

Before You Call For Service

If you are having an operating problem, check the chart to see what the cause might be before you call for assistance.

OPERATING PROBLEM	CHECK IF	WHAT TO DO
Refrigerator will not run.	<ul style="list-style-type: none"> ▪ Power cord is plugged into a live circuit with proper voltage. ▪ Refrigerator Control is turned on. ▪ Fuse has blown or circuit breaker has tripped. Also check if a time-delay fuse has been used. 	<ul style="list-style-type: none"> ▪ Firmly plug power cord into electrical outlet. Check circuit voltage at fuse/circuit breaker box. ▪ Set Refrigerator Control to a numbered setting. ▪ Replace fuse with a time-delay fuse of the correct capacity. Reset circuit breaker.
Rattling, jingling noise or unfamiliar sounds.	<ul style="list-style-type: none"> ▪ Anything is on top of or behind the refrigerator when the refrigerator is operating. ▪ These are "normal" operating sounds: humming from fans, clicking from thermostat or defrost cycle, or defrost water draining into the defrost pan. 	<ul style="list-style-type: none"> ▪ Remove objects from the top or from behind the refrigerator. ▪ Read the "Normal operating sounds" on page 6.
Ice maker will not make ice. (Factory-installed on model RT14DM — optional accessory for model RT14DK)	<ul style="list-style-type: none"> ▪ Freezer compartment has had enough time to get cold. With a new refrigerator, it may require cooling overnight to reach proper temperature. ▪ Signal arm is in the down position to start ice maker. ▪ Water valve is turned to open position and water is reaching the ice maker. 	<ul style="list-style-type: none"> ▪ Allow freezer to get cold enough. ▪ Put signal arm in the down position. ▪ Turn water valve to open position.
Water in the defrost pan.	<ul style="list-style-type: none"> ▪ Weather is hot and muggy. 	<ul style="list-style-type: none"> ▪ Hot and muggy weather can cause water to collect in the drain pan. Since water levels may reach half-full in the pan, be sure to level the refrigerator so the pan does not overflow.
Light does not work.	<ul style="list-style-type: none"> ▪ Fuse has blown or circuit breaker has tripped. ▪ Power cord is plugged into a live circuit with proper voltage. ▪ Bulb is burned out. 	<ul style="list-style-type: none"> ▪ Replace fuse with a time-delay fuse of the correct capacity. Reset circuit breaker. ▪ Firmly plug power cord into electrical outlet. Check circuit voltage at fuse/circuit breaker box. ▪ Replace bulb with an appliance bulb. Follow instructions on Page 5.
Motor runs too long.	<ul style="list-style-type: none"> ▪ Condenser is free of lint and dust. ▪ Weather or room is hot or muggy. ▪ Door has been opened frequently or a large amount of food has been added to the refrigerator or freezer compartment. 	<ul style="list-style-type: none"> ▪ Remove dust and lint from the condenser coils with a vacuum cleaner. ▪ If the temperature outside or inside your home is warm, motor-running noises are normal. ▪ Decide which food items you need before opening the refrigerator or freezer section. Motor noise is also normal when large amounts of food are added to the refrigerator/freezer compartments. Remember — your new refrigerator may be larger than your old refrigerator. It may have more space to cool, which requires a longer-running motor.

*THIS PAGE
INTENTIONALLY LEFT
BLANK*

*THIS PAGE
INTENTIONALLY LEFT
BLANK*

LIMITED WARRANTY



Appliances

LENGTH OF WARRANTY (From date of purchase)	PRODUCTS COVERED	WHAT WE WILL PAY FOR
FULL ONE YEAR WARRANTY	All Roper Appliances	Replacement parts and repair labor to correct defects in materials or workmanship.
FULL FIVE YEAR WARRANTY	Refrigerators Freezers Air Conditioners Dehumidifiers	Replacement parts and repair labor for the sealed refrigeration system (compressor, evaporator, condenser, drier or connecting tubing) which we find to be defective in materials or workmanship.
LIMITED 2ND-5TH YEAR WARRANTY	Microwave Ovens	Repair or replacement of magnetron tube which we find to be defective in materials or workmanship.
LIMITED 2ND-5TH YEAR WARRANTY	Automatic Washers	Repair or replacement of any part of the gear case assembly which we find to be defective in materials or workmanship.

WHAT WE WILL NOT PAY FOR

A. SERVICE CALLS TO:

1. Correct the installation of your appliance.
2. Instruct you how to use your appliance.
3. Replace house fuses or correct house wiring or plumbing.
4. Replace owner accessible light bulbs.

B. Repairs when appliance is used in other than normal, single-family household use.

C. Pick up and delivery. Your appliance is designed to be repaired in the home.

D. Damage to appliance caused by accident, misuse, fire, flood, acts of God, or use of product not approved by us.

E. Any labor costs during the limited warranties.

This Roper appliance is warranted by Whirlpool Corporation. Under no circumstances shall it be liable under this warranty for incidental or consequential damages and all implied warranties are limited to the same time periods stated in the express warranties for Roper Brand Appliances. Some states do not allow the exclusion or limitation of incidental or consequential damages or limitations of how long an implied warranty may last, so the above limitations or exclusions may not apply to you.

This warranty gives you specific legal rights, and you may also have other rights which vary from state to state.

Outside the United States, a different warranty may apply. For details, please contact your franchised Roper distributor or military exchange.

HOW TO GET SERVICE OR ASSISTANCE

If you need service, first see the "Before You Call For Service" section of this book. If you still need service after checking this section, additional help can be found if you:

- Contact your selling dealer for the authorized servicer in your area*

OR

- Phone 1-800-44-ROPER (1-800-447-6737) between 8:00 a.m. and 4:30 p.m. Eastern Time, Monday through Friday*

OR

- For further information, write to: Consumer Relations Dept., Roper Brand Appliances, 2000 M-63 North, Benton Harbor, MI 49022*

*When requesting assistance, please provide the model and serial numbers, date of purchase, and a complete description of the problem. The model and serial numbers are located on a label on the inside, left wall of the refrigerator compartment. (See illustrations on page 3.)

If you are not satisfied with the service received, contact the Major Appliance Consumer Action Panel (MACAP). MACAP is a group of independent consumer experts that voices consumer views at the highest levels of the major appliance industry.

Contact MACAP only when the dealer, authorized servicer or Roper Brand Appliance warrantor have failed to resolve your problem:

Major Appliance Consumer Action Panel
20 North Wacker Drive
Chicago, IL 60606

MACAP will in turn inform us of your action.

Part No. 2152220

Free Manuals Download Website

<http://myh66.com>

<http://usermanuals.us>

<http://www.somanuals.com>

<http://www.4manuals.cc>

<http://www.manual-lib.com>

<http://www.404manual.com>

<http://www.luxmanual.com>

<http://aubethermostatmanual.com>

Golf course search by state

<http://golfingnear.com>

Email search by domain

<http://emailbydomain.com>

Auto manuals search

<http://auto.somanuals.com>

TV manuals search

<http://tv.somanuals.com>