

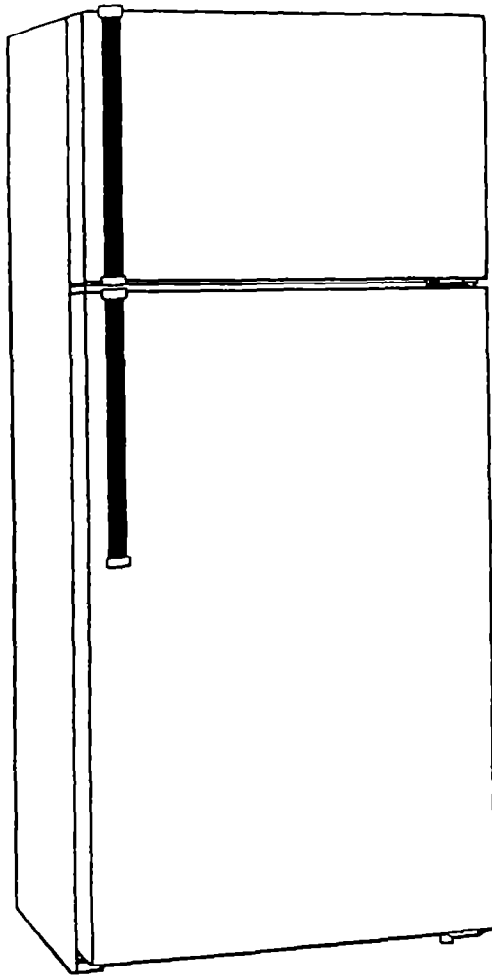
Cycle Defrost  
Refrigerator-Freezers

# Use and Care Guide

## ROPER

Appliances

RT12FC  
RT14FC



### Thank you for choosing a Roper Appliance.

This Use and Care Guide will help you operate and maintain your new, quality-built Roper refrigerator-freezer. Keep this Use and Care Guide in a safe place for future reference.

### Complete and mail the Product Registration Card.

This card enters your warranty into our warranty system that ensures efficient claim processing, can be used as a proof of purchase for insurance claims and helps Roper to contact you immediately in the unlikely event of a product-safety recall.

### You are responsible for

It is your responsibility to be sure your refrigerator:

- Has been properly installed and leveled according to the installation instructions given on page 2.
- Is installed on a floor that can support the weight of the refrigerator.
- Is properly connected to a grounded electrical circuit that meets the electrical requirements on page 2.
- Is properly used only for the job it was designed to do.
- Is not used by children or anyone unable to operate it properly.
- Is cold in both the refrigerator and freezer sections before food is added.
- Is properly maintained.

### Contents

	Page
Important Safety Instructions	2
Before Using Your Refrigerator	2
Parts and Features	3
Using Your Refrigerator	3
Setting the control	3
Exterior moisture control	3
Adjusting refrigerator shelves	4
Removing crisper and crisper cover	4
Ice cube trays	4
Changing the light bulb	4
Normal operating sounds	4
Energy saving tips	4
Food storage suggestions	4
Cleaning Your Refrigerator	5
Defrosting the freezer	5
Cleaning tips	5
Caring For Your Refrigerator	6
If electricity goes off	6
Vacation and moving guide	6
Before You Call For Service	7
Warranty	8
How to get service or assistance	8

2-93

# Important Safety Instructions

## **⚠ WARNING**

To reduce the risk of fire, electrical shock, or injury when using your refrigerator, follow basic precautions including the following:

1. Read all operating instructions before using your refrigerator.
2. Child entrapment and suffocations are not problems of the past. Junked or abandoned refrigerators are still dangerous...even if they will "just sit in the garage for a few days."

If you are getting rid of your old refrigerator, do it safely. Please read the enclosed safety booklet from the Association of Home Appliance Manufacturers. Help prevent accidents.

3. Never allow children to operate, play with, or crawl inside the refrigerator.

4. Never clean refrigerator parts with flammable fluids. The fumes can create a fire hazard or explosion.

▪ **FOR YOUR SAFETY** ▪  
**DO NOT STORE OR USE GASOLINE OR OTHER FLAMMABLE VAPORS AND LIQUIDS IN THE VICINITY OF THIS OR ANY OTHER APPLIANCE. THE FUMES CAN CREATE A FIRE HAZARD OR EXPLOSION.**

▪ **SAVE THESE INSTRUCTIONS** ▪

## Before Using Your Refrigerator

### A. Remove labels

Remove the tape and any inside labels before using the refrigerator. To remove any remaining glue:

- Rub briskly with thumb to make a ball, then remove.

OR

- Soak area with liquid hand dishwashing detergent before removing glue as described above.

Do not use sharp instruments, rubbing alcohol, flammable fluids or abrasive cleaners. These can damage the material. See "Important Safety Instructions" above.

**NOTE:** Do not remove the Tech Sheet located on the bottom of the refrigerator.

### B. Clean it

Clean your refrigerator before using it. See cleaning instructions on page 5.

### C. Plug it in

**Recommended Grounding Method**  
A 115 Volt, 60 Hz., AC only 15 or 20 ampere fused and properly grounded electrical supply is required. It is recommended that a separate circuit serving only this appliance be provided. Use a receptacle which cannot be turned off with a switch or pull chain. Do not use an extension cord.

See Electrical Requirements and Grounding Instruction Sheet in literature package for complete details.

### D. Install properly

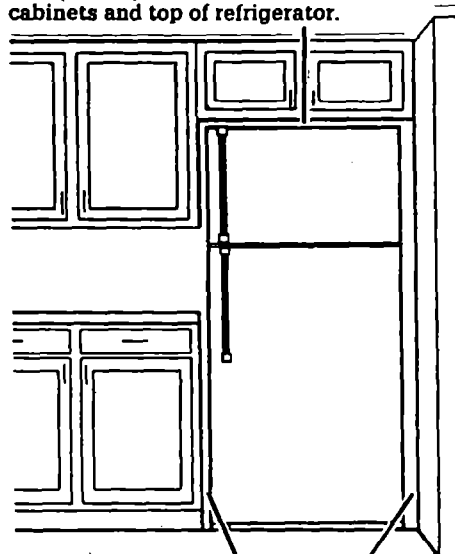
Install the refrigerator according to the dimensions shown below.

Leave extra space along the hinge-side wall to allow the door to be opened wider.

Do not install the refrigerator:

- next to an oven, radiator or other heat source;
- out in the weather or direct sunlight;
- in an area where the room temperature will fall below 55°F (13°C).

3 in. (7.5 cm) min. between overhead cabinets and top of refrigerator.

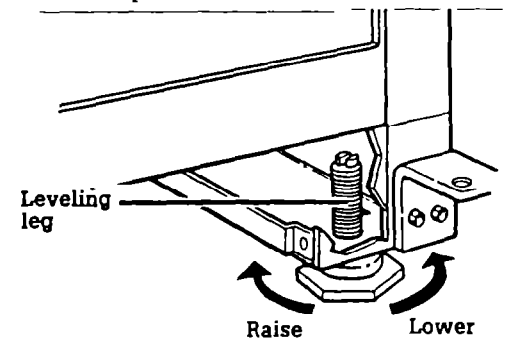


1/2 in. (1.25 cm) on each side of the refrigerator for easier installation.

1 in. (2.5 cm) min. between refrigerator condenser coils and the back wall.

### E. Level refrigerator

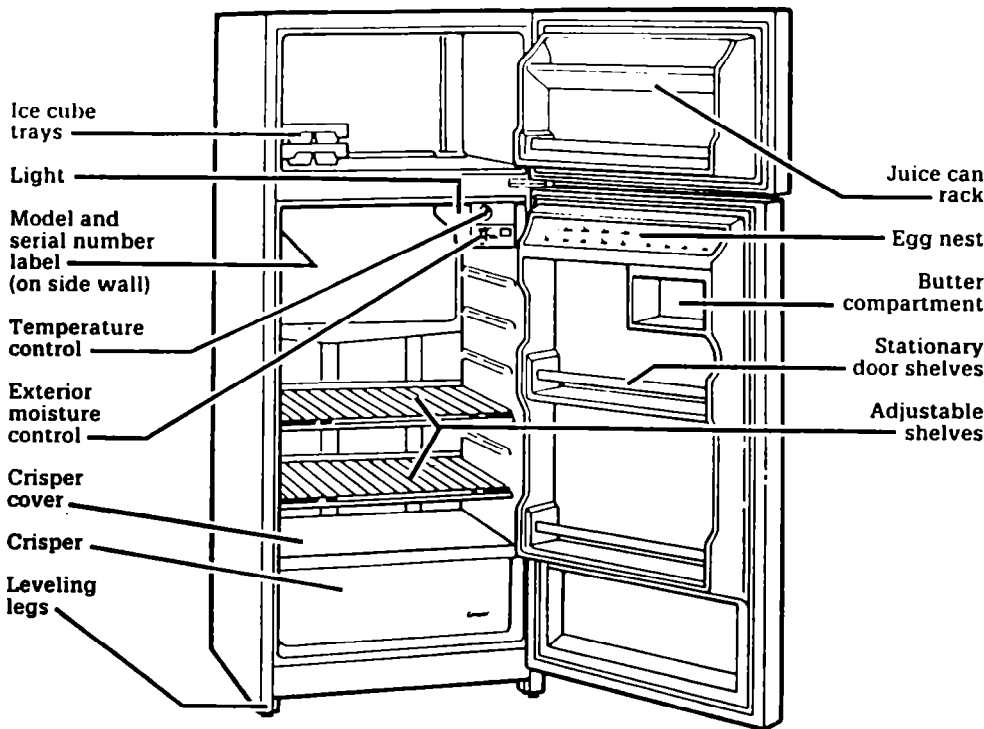
Make sure the refrigerator is level for efficient operation.



1. Keep the 4 bolts that held the refrigerator in the shipping crate. They are the leveling legs.
2. Screw these bolts all the way into bolt holes at the bottom corners of refrigerator.
3. Adjust each leg so that refrigerator does not rock.
4. Slide refrigerator into place.
5. Place a level on top of the refrigerator — first side to side then front to back. Turn leg to the left to raise the corner of the refrigerator. Turn leg to the right to lower the corner of the refrigerator.
6. Check the levelness again and repeat step 5 until the refrigerator is level.

# Parts and Features

## Model RT12FC

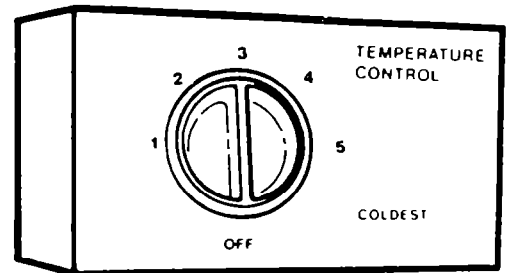


# Using Your Refrigerator

## Setting the control

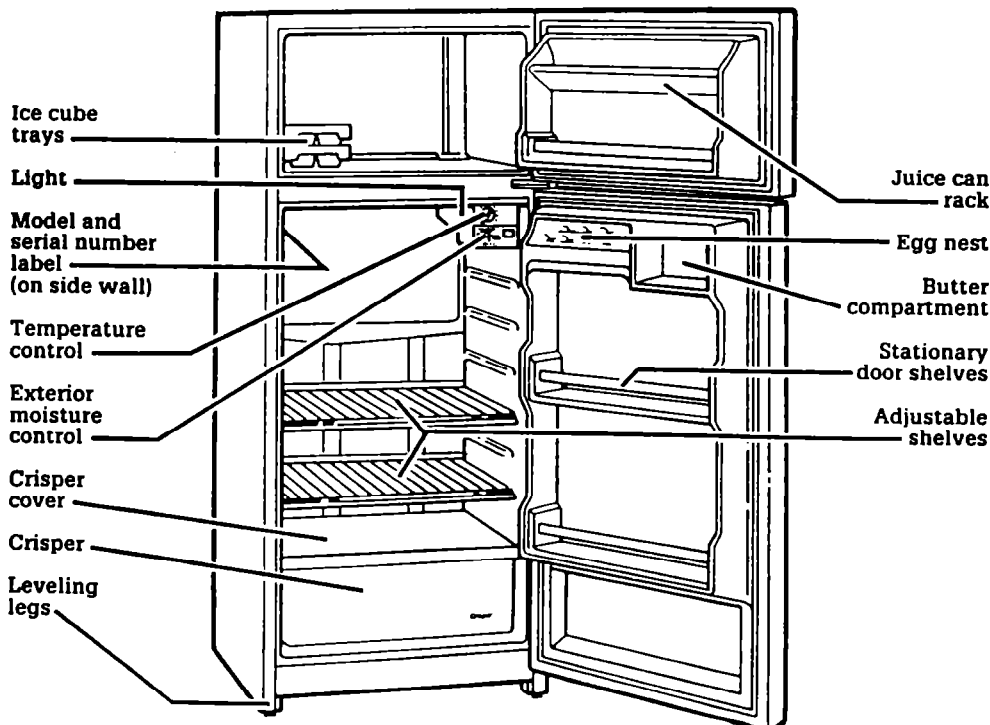
The Temperature Control for the refrigerator and freezer is in the refrigerator. When the refrigerator is plugged in for the first time:

1. Set the Temperature Control to 3.



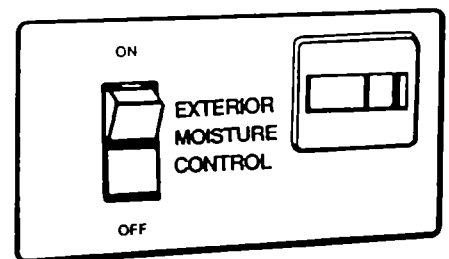
2. Let the refrigerator and freezer compartments get cold for several hours before adding food.
3. When the refrigerator keeps milk or juice as cold as you like and the freezer compartment keeps ice cream firm, the settings are correct for your household.

## Model RT14FC



## Exterior moisture control

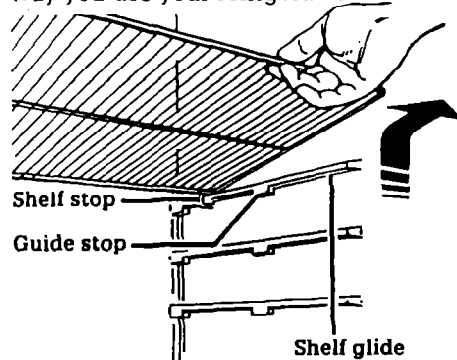
The Exterior Moisture Control operates electric heaters around the door openings. These heaters help keep moisture from forming on the outside of the refrigerator.



1. Use the OFF setting when humidity is low.
2. Use the ON setting if moisture forms on the outside of the refrigerator.

## Adjusting refrigerator shelves

Shelves can be adjusted to match the way you use your refrigerator.



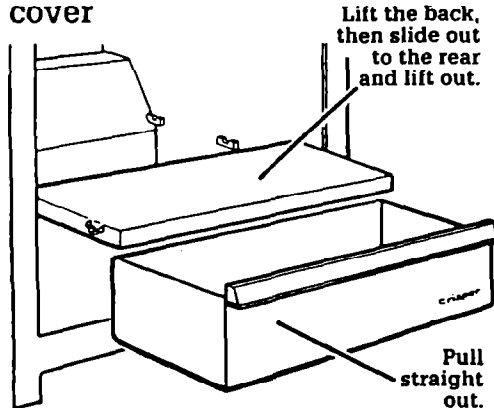
### To remove:

1. Remove food from shelf.
2. Slide shelf straight forward to the guide stops.
3. Lift front until shelf clears stops, then slide shelf out the rest of the way.

### To replace:

1. Fit back of shelf on top of guides with wire stops on the bottom of the guides.
2. Lift front and slide shelf in until it clears guide stops. Slide shelf in the rest of the way.

## Removing crisper and crisper cover



### To remove crisper:

1. Slide crisper straight out.
2. Replace in reverse order.

### To remove cover:

1. Lift back, then slide to the rear until the front can be lifted.
2. Lift cover up and out.

### To replace cover:

1. Slide the front cover tabs in from the rear of the front supports on the refrigerator walls.
2. Lower back of cover into place.

## Ice cube trays

Remove ice by slightly twisting the tray with both hands.

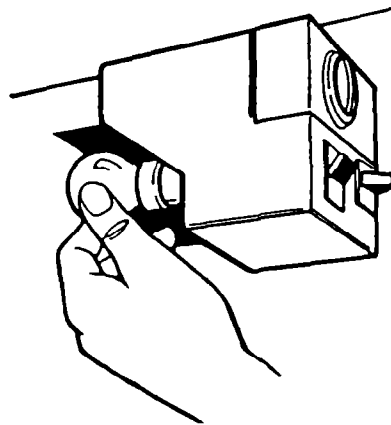
**NOTE:** The longer ice cubes are stored, the smaller they get. Slow evaporation is caused by the movement of cold air.

## Changing the light bulb

### ⚠ WARNING

#### Electrical Shock Hazard

Unplug the refrigerator or disconnect the main electric power supply to the refrigerator before changing a bulb. Failure to do so can result in electrical shock or injury.



1. Disconnect refrigerator from power supply.
2. Reach behind the Control Console to find bulb.
3. Remove bulb.
4. Replace with a 40-watt appliance bulb.
5. Reconnect power supply.

**NOTE:** Not all commercial appliance bulbs will fit your refrigerator. Be sure to replace a bulb with one of the same size and shape.

## Normal operating sounds

You can expect to hear the following sounds when your refrigerator-freezer is operating:

- **Water sounds** as water gurgles through tubing for a few minutes after refrigerator stops running. You may also hear defrost water running into the defrost water pan.
- **Operating sounds** from the high-efficiency compressor and motor. It may run longer than your older refrigerator.

## Energy saving tips

- Check the door gaskets for a tight seal. Level the refrigerator to be sure of a good seal.
- Clean dust and lint from the condenser coils every other month.
- Open the doors as seldom as possible. Decide what you need before you open the door. Remove everything you need at one time. Organize and label food so you will not have to search for items you want. Close door immediately after you remove food items.
- Store food in the refrigerator and freezer so that air movement is not blocked.
- Set the refrigerator temperature so that the drinks remain cold enough for your family's taste and ice cream remains firm. Do Not set temperature colder than it needs to be.
- Set the Exterior Moisture Control to the OFF position unless moisture forms on the outside of the refrigerator.
- Do Not install your refrigerator next to your range, water heater, furnace, radiator, other heat sources or in direct sunlight.

## Food storage suggestions

Food placed in the refrigerator should be wrapped or stored in air and moisture proof material. This prevents food odor and taste transfer throughout the refrigerator. For dated products, check code date to ensure freshness.

The freezer section is designed for storage of commercially frozen food and for freezing food at home. For further information about preparing food for freezing or food storage times, contact your local Cooperative Extension Service or check a freezer guide or cookbook.

### Freezing

Do not expect your freezer to quick-freeze any large quantity of food. Put no more unfrozen food into the freezer than will freeze within 24 hours. (No more than 2 or 3 pounds of food per cubic foot of freezer space.) Leave enough space for air to circulate around packages. Be careful to leave enough room at the front so the door can close tightly. Storage times will vary according to the quality of the food, type of packaging or wrap used (air and moisture proof), and storage temperatures which should be 0°F (-17.8°C).

# Cleaning Your Refrigerator

The refrigerator section defrosts automatically. The freezer section needs defrosting from time to time. The freezer section should be defrosted whenever frost builds up to a 1/4-inch (6 mm) thickness.

## Defrosting the freezer

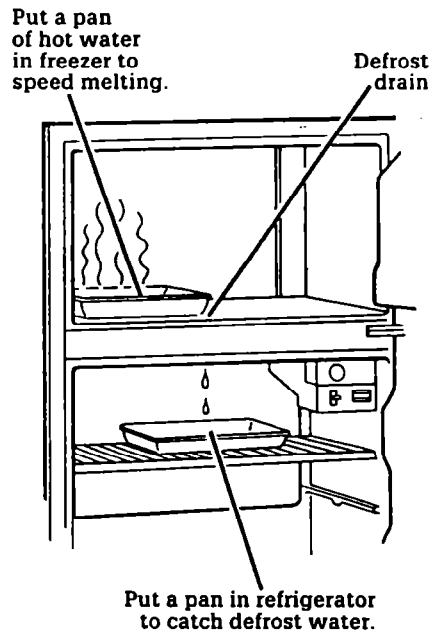
### ⚠ WARNING

#### Electrical Shock and Product Damage Hazard

- Do Not place electrical devices in freezer to aid defrosting. Electrical shock and injury could occur.
- Do Not use an ice pick, knife or other sharp-pointed tool to defrost freezer. Damage could occur.

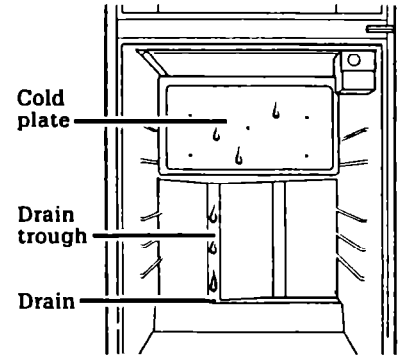
1. Turn the Temperature Control to OFF and unplug power cord.
2. Put empty pan in the refrigerator on the top shelf in the center.
3. Move frozen food and ice to the refrigerator section.
4. Close the refrigerator door. Leave the freezer door open.
5. Put a pan of hot water in the freezer. This helps melt the frost. Don't place the pan over drain hole in center of the freezer.
6. Defrost water will drain through drain hole into the pan you put in the refrigerator section. You may have to melt frost from the drain hole by pouring a little hot water around it.

7. Wash the inside of the freezer with a solution of 2 tablespoons (26 g) of baking soda and one quart (.95 L) warm water. Rinse and dry thoroughly.
8. Remove the pan of defrost water from the refrigerator; put frozen food and ice back into freezer.
9. Reconnect power cord and reset the Temperature Control.



There is a cold plate on the back wall at the top of the refrigerator section. When the refrigerator motor runs, frost collects on the cold plate. When the motor turns off, the frost melts.

Water from this melted frost drips into a drain trough just below the cold plate. Then it runs down the back wall and through the drain just above the crisper. The drain leads to a defrost water pan on the top of the refrigerator motor. Heat from the motor evaporates the water.



If the drain becomes clogged, force warm water mixed with baking soda through the drain until the water flows freely.

## Cleaning tips

Both sections should be cleaned about once a month. To help prevent odors, wipe up spills immediately.

1. Turn Temperature Control to OFF and unplug power cord.
2. Take out all removable parts and clean according to the following chart:

PART	WHAT TO USE	HOW TO CLEAN
Removable parts (shelves, crisper, etc.)	Sponge or cloth; mild detergent and warm water.	<ul style="list-style-type: none"> <li>▪ Wash with wet sponge or cloth.</li> <li>▪ Rinse and dry.</li> </ul>
Outside	Sponge, soft cloth or paper towel; mild detergent and warm water; appliance wax (or good auto paste wax).	<ul style="list-style-type: none"> <li>▪ Wash with wet sponge, cloth or paper towel.</li> <li>▪ Rinse and dry.</li> <li>▪ Twice a year — apply appliance wax or good auto paste wax to painted metal surfaces with a clean, soft cloth. Waxing painted, metal surfaces provides rust protection.</li> <li>▪ Do Not use wax on plastic parts.</li> </ul>
Inside walls (Allow the freezer walls to warm up so cloth won't stick)	Sponge, soft cloth or paper towel; mild detergent and warm water OR 2 tablespoons (26 g) baking soda to 1 quart (0.95 L) warm water.	<ul style="list-style-type: none"> <li>▪ Wash with wet sponge, cloth or paper towel.</li> <li>▪ Rinse and dry.</li> </ul>

continued on next page

PART	WHAT TO USE	HOW TO CLEAN
Door liners and gaskets	Sponge, soft cloth or paper towel, mild detergent and warm water	<ul style="list-style-type: none"> <li>Wash with wet sponge, cloth or paper towel</li> <li>Rinse and dry</li> </ul>
Plastics (covers and panels)	Soft, clean sponge or soft cloth, mild detergent and warm water	<ul style="list-style-type: none"> <li>Wash with wet sponge or cloth.</li> <li>Rinse and dry.</li> </ul>
Defrost pan (behind refrigerator on top of the motor)	Sponge or soft cloth; mild detergent and warm water.	<ul style="list-style-type: none"> <li>Move refrigerator out away from wall</li> <li><b>Do Not remove defrost pan.</b></li> <li>Wash defrost pan with wet sponge or cloth.</li> <li>Rinse and dry.</li> <li>Move refrigerator back into place.</li> <li>Check levelness of refrigerator.</li> </ul>
Condenser coils (behind refrigerator)	Vacuum cleaner with brush attachment.	<ul style="list-style-type: none"> <li>Move refrigerator out away from wall.</li> <li>Vacuum dust and lint from condenser coils at least every other month.</li> <li>Move refrigerator back into place, leaving 1 inch (2.54 cm) between the wall and condenser coils.</li> <li>Check levelness of refrigerator.</li> </ul>
Floor under refrigerator	Floor cleaners.	<ul style="list-style-type: none"> <li>Move refrigerator out away from wall.</li> <li>Clean the floor.</li> <li>Move refrigerator back into place.</li> <li>Check levelness of refrigerator.</li> </ul>

## Caring For Your Refrigerator

### If electricity goes off

1. **Call the power company.**  
Ask how long power will be off.
2. **Keep freezer closed if service is to be interrupted 24 hours or less.**  
This will help food will stay frozen.
3. **If service is to be interrupted longer than 24 hours, do this:**  
Remove all frozen food and store in a frozen food locker;  
OR  
Place 2 lbs. (0.9 kg) of dry ice in freezer for every cubic foot of freezer space. This will keep foods frozen for 2 to 4 days.

### **⚠ WARNING**

#### **Personal Injury Hazard**

**Wear gloves to protect your hands from dry ice burns. Failure to do so could result in dry ice burns.**

OR

If dry ice or a food locker is not available, use or can perishable food at once.

**NOTE:** A full freezer stays colder longer than a partly filled one. A freezer full of meat stays colder longer than a freezer

full of baked goods.

Food containing ice crystals may be safely refrozen, but the quality and flavor of the food may be affected.

Use refrozen food quickly. If the condition of the food is poor, or you feel it is unsafe to eat, dispose of it immediately.

### Vacation and moving guide

#### **Short vacations (less than 4 weeks)**

- Use up perishable foods.
- Freeze other food items.

#### **Long vacations (more than 4 weeks)**

- Remove all food.
- Turn Temperature Control to OFF.
- Unplug refrigerator.
- Clean, rinse and dry the interior.
- Keep refrigerator and freezer doors slightly open by taping wood or rubber blocks at the top of each door. This allows air to enter the refrigerator and freezer sections and prevents odors and mold from building up inside while you're away.

### **⚠ WARNING**

#### **Personal Injury Hazard**

**Do Not allow children to climb on, play near or crawl inside the refrigerator when the doors are blocked open. They may become injured or trapped.**

- To restart refrigerator when you return, see page 3 for resetting control.

#### **Moving**

- Remove all food.
- Pack frozen foods in dry ice.
- Turn Temperature Control to OFF.
- Unplug refrigerator.
- Clean, rinse and dry the interior.
- Take out all removable parts.
- Wrap removable parts in paper and tape them all together. Store inside refrigerator.
- Screw in leveling legs.
- Tape the doors shut.
- Tape the electric cord to the cabinet exterior.
- When you reach your new home, replace the removable parts and follow steps beginning on page 2.

## Before You Call For Service

If you are having an operating problem, check the chart to see what the cause might be before you call for assistance.

OPERATING PROBLEM	CHECK IF	WHAT TO DO
<b>Refrigerator will not run.</b>	<ul style="list-style-type: none"> <li>▪ Power cord is plugged into a live circuit with proper voltage.</li> <li>▪ Temperature Control is turned on.</li> <li>▪ Fuse has blown or circuit breaker has tripped. Also check if a time-delay fuse has been used.</li> </ul>	<ul style="list-style-type: none"> <li>▪ Firmly plug power cord into electrical outlet. Check circuit voltage at fuse/circuit breaker box.</li> <li>▪ Set refrigerator Control to a numbered position.</li> <li>▪ Replace fuse with a time-delay fuse of the correct capacity. Reset circuit breaker.</li> </ul>
<b>Rattling, jingling noise or unfamiliar sounds.</b>	<ul style="list-style-type: none"> <li>▪ Anything is on top of or behind the refrigerator when the refrigerator is operating.</li> <li>▪ These are "normal" operating sounds: humming from fans, clicking from thermostat or defrost cycle, or defrost water draining into the defrost pan.</li> </ul>	<ul style="list-style-type: none"> <li>▪ Remove objects from the top or from behind the refrigerator.</li> <li>▪ Read the "Normal operating sounds" on page 4.</li> </ul>
<b>Water in the defrost pan.</b>	<ul style="list-style-type: none"> <li>▪ Weather is hot and muggy.</li> </ul>	<ul style="list-style-type: none"> <li>▪ Hot and muggy weather can cause water to collect in the drain pan. Since water levels may reach half-full in the pan, be sure to level the refrigerator so the pan does not overflow.</li> </ul>
<b>Light does not work.</b>	<ul style="list-style-type: none"> <li>▪ Fuse has blown or circuit breaker has tripped.</li> <li>▪ Power cord is plugged into a live circuit with proper voltage.</li> <li>▪ Bulb is burned out.</li> </ul>	<ul style="list-style-type: none"> <li>▪ Replace fuse with a time-delay fuse of the correct capacity. Reset circuit breaker.</li> <li>▪ Firmly plug power cord into electrical outlet. Check circuit voltage at fuse/circuit breaker box.</li> <li>▪ Replace bulb with an appliance bulb. Follow instructions on page 4.</li> </ul>
<b>Motor runs too long.</b>	<ul style="list-style-type: none"> <li>▪ Condenser is free of lint and dust.</li> <li>▪ Weather or room is hot or muggy.</li> <li>▪ Door has been opened frequently or a large amount of food has been added to the refrigerator or freezer compartment.</li> </ul>	<ul style="list-style-type: none"> <li>▪ Remove dust and lint from the condenser coils with a vacuum cleaner.</li> <li>▪ If the temperature outside or inside is warm, motor-running noises are normal.</li> <li>▪ Decide which food items you need before opening the refrigerator or freezer section. Motor noise is also normal when large amounts of food are added to the refrigerator-freezer compartments.</li> </ul> <p>Remember — your new refrigerator may be larger than your old refrigerator. It may have more space to cool, which requires a longer-running motor.</p>

# LIMITED WARRANTY



## Appliances

LENGTH OF WARRANTY (From date of purchase)	PRODUCTS COVERED	WHAT WE WILL PAY FOR
<b>FULL ONE YEAR WARRANTY</b>	All Roper Appliances	Replacement parts and repair labor to correct defects in materials or workmanship.
<b>FULL FIVE YEAR WARRANTY</b>	Refrigerators Freezers Air Conditioners Dehumidifiers	Replacement parts and repair labor for the sealed refrigeration system (compressor, evaporator, condenser, drier or connecting tubing) which we find to be defective in materials or workmanship.
<b>LIMITED 2ND-5TH YEAR WARRANTY</b>	Microwave Ovens	Repair or replacement of magnetron tube which we find to be defective in materials or workmanship.
<b>LIMITED 2ND-5TH YEAR WARRANTY</b>	Automatic Washers	Repair or replacement of any part of the gear case assembly which we find to be defective in materials or workmanship.

### WHAT WE WILL NOT PAY FOR

#### A. SERVICE CALLS TO:

1. Correct the installation of your appliance.
2. Instruct you how to use your appliance.
3. Replace house fuses or correct house wiring or plumbing.
4. Replace owner accessible light bulbs.

#### B. Repairs when appliance is used in other than normal, single-family household use.

#### C. Pick up and delivery. Your appliance is designed to be repaired in the home.

#### D. Damage to appliance caused by accident, misuse, fire, flood, acts of God, or use of product not approved by us.

#### E. Any labor costs during the limited warranties.

This Roper appliance is warranted by Whirlpool Corporation. Under no circumstances shall it be liable under this warranty for incidental or consequential damages and all implied warranties are limited to the same time periods stated in the express warranties for Roper Brand Appliances. Some states do not allow the exclusion or limitation of incidental or consequential damages or limitations of how long an implied warranty may last, so the above limitations or exclusions may not apply to you.

This warranty gives you specific legal rights, and you may also have other rights which vary from state to state.

Outside the United States, a different warranty may apply. For details, please contact your franchised Roper distributor or military exchange.

### HOW TO GET SERVICE OR ASSISTANCE

If you need service, first see the "Before You Call For Service" section of this book. If you still need service after checking this section, additional help can be found if you:

- Contact your selling dealer for the authorized servicer in your area:

OR

- Phone 1-800-44-ROPER (1-800-447-6737) between 8:00 a.m. and 4:30 p.m. Eastern Time, Monday through Friday:

OR

- For further information, write to: Consumer Relations Dept., Roper Brand Appliances, 2000 M-63 North, Benton Harbor, MI 49022:

\*When requesting assistance, please provide the model and serial numbers, date of purchase, and a complete description of the problem. The model and serial numbers are located on a label on the inside, left wall of the refrigerator compartment. (See illustrations on page 3.)

If you are not satisfied with the service received, contact the Major Appliance Consumer Action Panel (MACAP). MACAP is a group of independent consumer experts that voices consumer views at the highest levels of the major appliance industry.

Contact MACAP only when the dealer, authorized servicer or Roper Brand Appliance warrantor have failed to resolve your problem:

Major Appliance Consumer Action Panel  
20 North Wacker Drive  
Chicago, IL 60606

MACAP will in turn inform us of your action.

Part No. 2152218

©1990 Whirlpool Corporation

Download from Wwww.Somanuals.com. All Manuals Search And Download.

Printed in U.S.A



## Free Manuals Download Website

<http://myh66.com>

<http://usermanuals.us>

<http://www.somanuals.com>

<http://www.4manuals.cc>

<http://www.manual-lib.com>

<http://www.404manual.com>

<http://www.luxmanual.com>

<http://aubethermostatmanual.com>

Golf course search by state

<http://golfingnear.com>

Email search by domain

<http://emailbydomain.com>

Auto manuals search

<http://auto.somanuals.com>

TV manuals search

<http://tv.somanuals.com>