



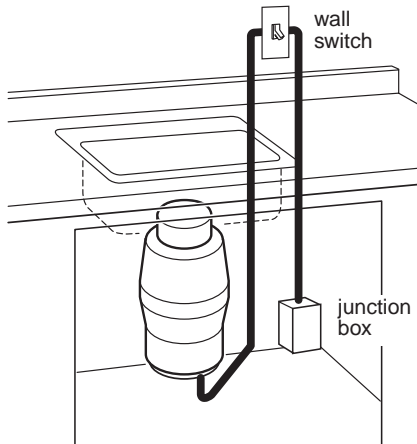
Food-Waste Disposer

PRODUCT MODEL NUMBER

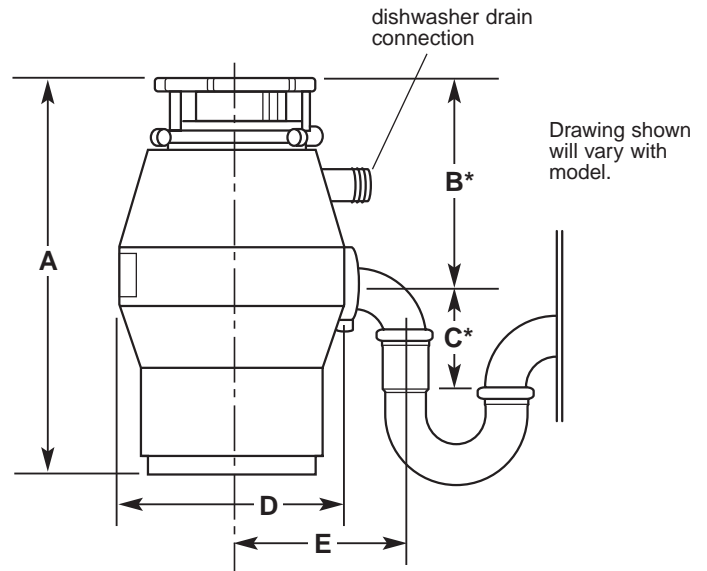
GC1000PE GC3000XE
 GC1000XE GC5000XE
 GC2000PE
 GC2000XE

Electrical: A 120-volt, 60-Hz, AC-only 15- or 20-amp fused, grounded electrical supply is required. It is recommended that a separate circuit serving only your food-waste disposer be provided. Time-delay fuse of circuit breaker is recommended.

For continuous feed models, install a 15- or 20-amp wall switch above the countertop and junction box inside cabinet as shown. (Switch and electrical wiring can be obtained locally.) Position switch in a convenient location. Connect switch to junction box.



OVERALL DIMENSIONS



| Model No. | A | B* | C* | D | E |
|-----------|---------|----------|----|---------|--------|
| GC1000PE | 11-3/8" | 5-15/16" | 4" | 6-5/16" | 5" |
| GC1000XE | 11-3/8" | 5-15/16" | 4" | 6-5/16" | 5" |
| GC2000PE | 11-3/8" | 5-15/16" | 4" | 6-5/16" | 5" |
| GC2000XE | 11-3/8" | 5-15/16" | 4" | 6-5/16" | 5" |
| GC3000XE | 12-5/8" | 5-15/16" | 4" | 6-5/16" | 5" |
| GC5000XE | 12-7/8" | 6-11/16" | 4" | 7-3/4" | 5-3/4" |

B* – Distance from bottom of sink to center line of disposer outlet. Add 1/2 inch when stainless steel sink is used.

C* – Length of waste line pipe from center line of disposer outlet to end of waste line pipe.

IMPORTANT: Plumb waste line to prevent standing water in disposer motor housing.

Free Manuals Download Website

<http://myh66.com>

<http://usermanuals.us>

<http://www.somanuals.com>

<http://www.4manuals.cc>

<http://www.manual-lib.com>

<http://www.404manual.com>

<http://www.luxmanual.com>

<http://aubethermostatmanual.com>

Golf course search by state

<http://golfingnear.com>

Email search by domain

<http://emailbydomain.com>

Auto manuals search

<http://auto.somanuals.com>

TV manuals search

<http://tv.somanuals.com>