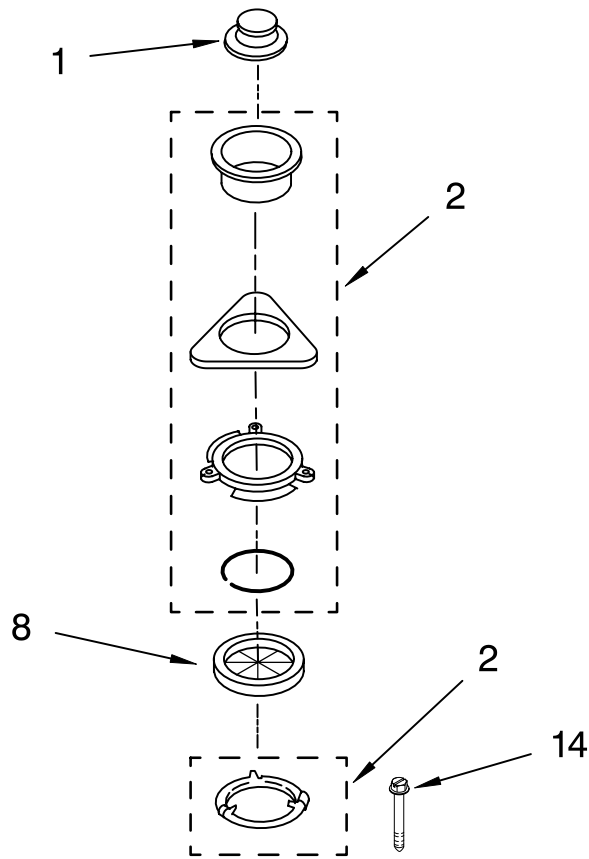


UPPER HOUSING AND FLANGE PARTS

DISPOSER

For Model: GC2000XE1, GC2000PE1

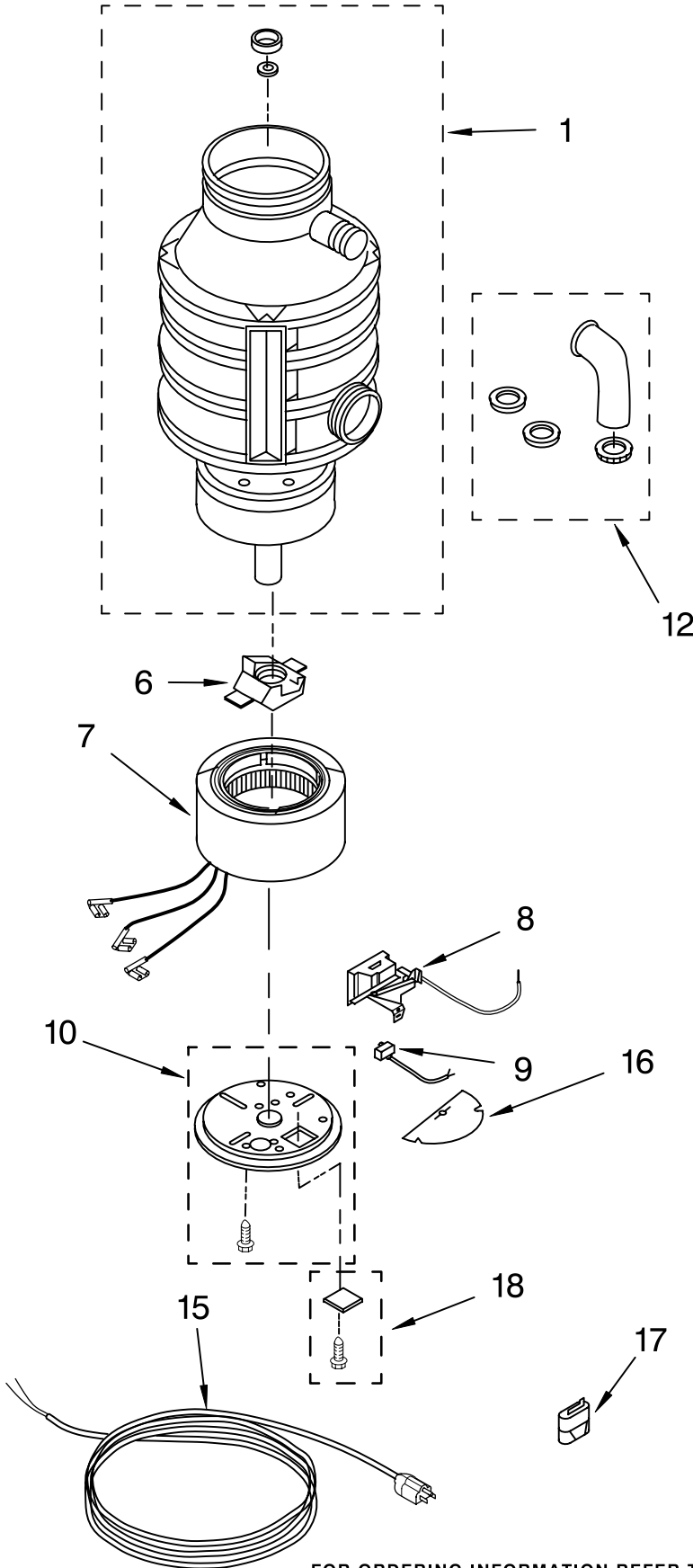


Illus. No.	Part No.	DESCRIPTION
1	4211300	Stopper Assembly
2	8174328	Mounting Assembly
8	4211615	Gasket, Mounting
14	4211645	Bolt, Thru

FOR ORDERING INFORMATION REFER TO PARTS PRICE LIST

LOWER HOUSING AND MOTOR PARTS

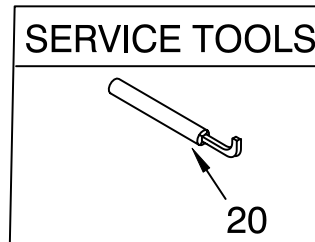
For Model: GC2000XE1, GC2000PE1



Illus. No.	Part No.	DESCRIPTION
1		Enclosure Assy, (not serviceable)
6	4211322	Actuator Assembly Centrifugal
7	8174322	Stator Assembly
8	8174312	Switch Assembly, Start
9	8174313	Protector, Overload
10	4211647	End Frame Assembly, Lower
12	8174317	Kit, Installation
15	4211472	Plug & Cord (GC2000PE1 only)
16	4211351	Shield, Wire
17	8174329	Bushing (GC2000PE1 only)
18	8174315	Cover, Terminal
20	8174310	Wrench, Emergency

Following Parts Not Illustrated

- LIT4211613 Guide, Use And Care
- LIT4211614 Instructions, Installation



FOR ORDERING INFORMATION REFER TO PARTS PRICE LIST

Free Manuals Download Website

<http://myh66.com>

<http://usermanuals.us>

<http://www.somanuals.com>

<http://www.4manuals.cc>

<http://www.manual-lib.com>

<http://www.404manual.com>

<http://www.luxmanual.com>

<http://aubethermostatmanual.com>

Golf course search by state

<http://golfingnear.com>

Email search by domain

<http://emailbydomain.com>

Auto manuals search

<http://auto.somanuals.com>

TV manuals search

<http://tv.somanuals.com>