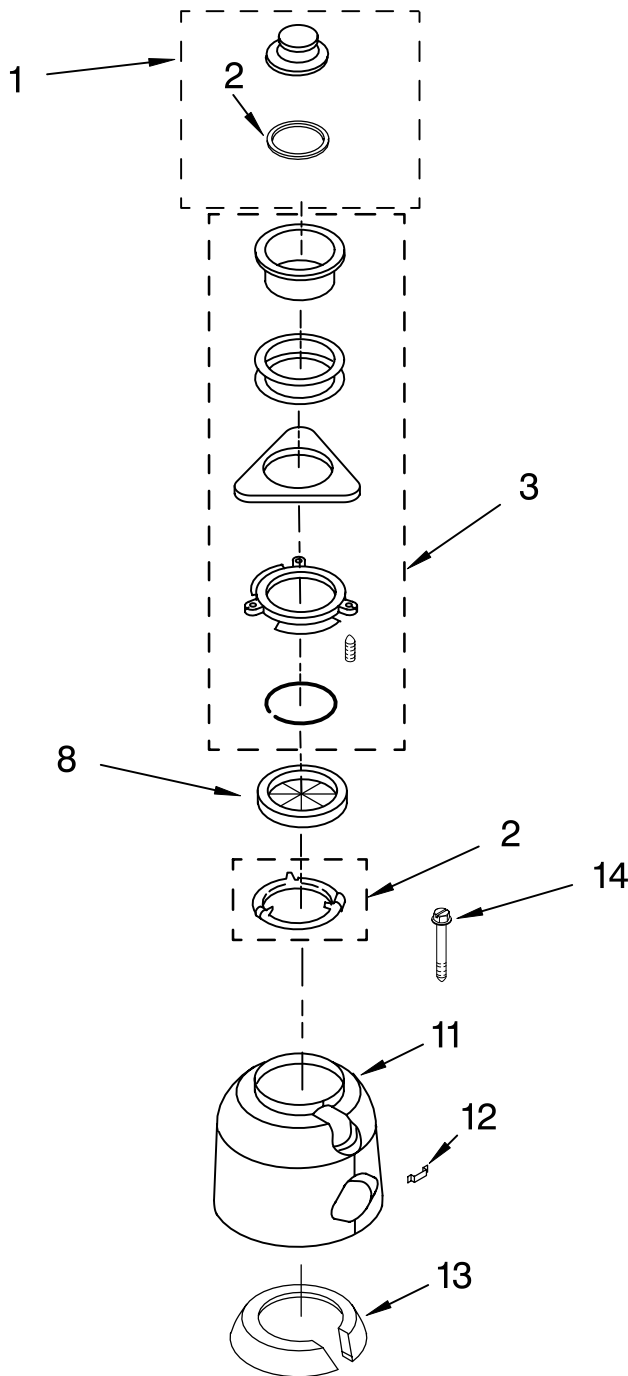




UPPER HOUSING AND FLANGE PARTS

DISPOSER

For Model: GC5000XE

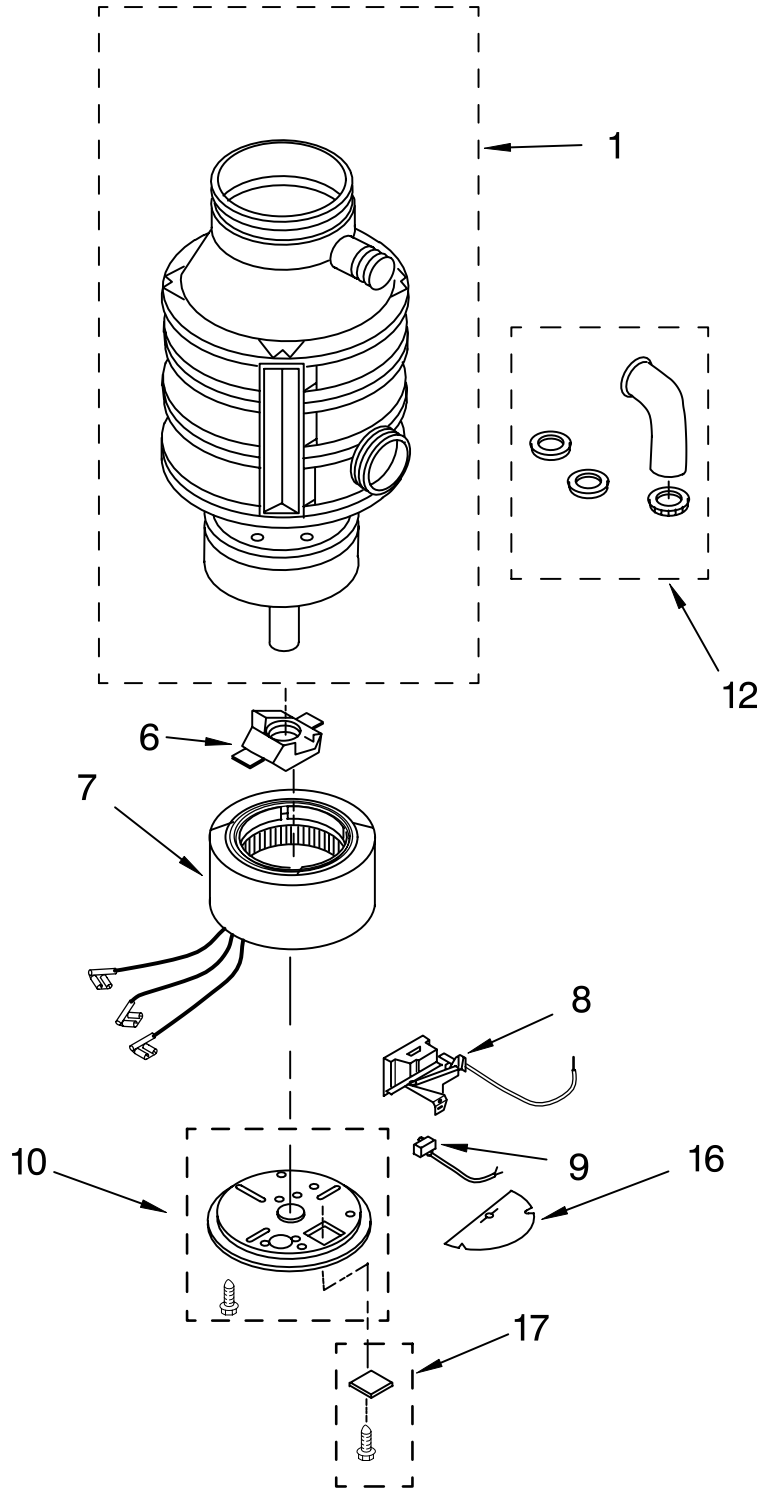


Illus. No.	Part No.	DESCRIPTION
1	4211577	Stopper Assembly
2	4211333	Gasket, Stopper
3	8174335	Mounting Assembly
8	4211615	Gasket, Mounting
11	8174336	Trim Shell
12	4211339	Clip
13	4211649	Insulation
14	8174309	Bolt, Thru

FOR ORDERING INFORMATION REFER TO PARTS PRICE LIST

LOWER HOUSING AND MOTOR PARTS

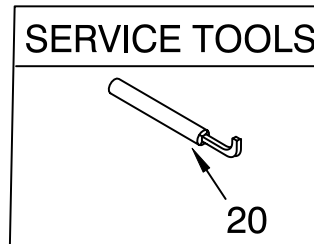
For Model: GC5000XE



Illus. No.	Part No.	DESCRIPTION
1		Enclosure Assy (Not Serviceable)
6	4211322	Actuator Assembly, Centrifugal
7	8174337	Stator Assembly
8	8174312	Switch Assembly, Start
9	8174334	Overload, Protector
10	4211647	End Frame Assembly
12	8174293	Kit, Installation
16	4211326	Shield, Wire
17	8174315	Cover, Terminal
20	8174310	Wrench, Emergency

Following Parts Not Illustrated

- LIT4211613 Guide, Use And Care
- LIT4211614 Instructions, Installation
- LIT8174338 ICU Booklet



FOR ORDERING INFORMATION REFER TO PARTS PRICE LIST

Free Manuals Download Website

<http://myh66.com>

<http://usermanuals.us>

<http://www.somanuals.com>

<http://www.4manuals.cc>

<http://www.manual-lib.com>

<http://www.404manual.com>

<http://www.luxmanual.com>

<http://aubethermostatmanual.com>

Golf course search by state

<http://golfingnear.com>

Email search by domain

<http://emailbydomain.com>

Auto manuals search

<http://auto.somanuals.com>

TV manuals search

<http://tv.somanuals.com>