



Use And Care

G U I D E



A Note to You	2
Ice Maker Safety	3
Parts and Features	4
Using Your Ice Maker	5
Cleaning Your Ice Maker	9
Vacation and Moving Care	15
Troubleshooting	16
Requesting Assistance or Service	17
Index	19
Warranty	20-21

1-800-253-1301

Call our Consumer Assistance Center
with questions or comments from
anywhere in the U.S.A.

AUTOMATIC ICE MAKER

11/94

Part No. 2180633 10/94

A Note to You

Thank you for buying a Whirlpool® appliance.

Because your life is getting busier and more complicated, Whirlpool Ice Makers are easy to use, save time, and help you manage your home better. To ensure you enjoy years of trouble-free operation, we developed this Use and Care Guide. It contains valuable information about how to operate and maintain your appliance properly and safely. Please read it carefully. Also, please complete and mail the Ownership Registration Card provided with your appliance. This card helps us notify you about any new information on your appliance.

Please record your model's information.

Whenever you call to request service on your appliance, you need to know your complete model number and serial number. You can find this information on the model and serial number plate (see diagram on page 4 for location of plate).

Please also record the purchase date of your appliance and your dealer's name, address, and telephone number.

Model Number _____

Serial Number _____

Purchase Date _____

Dealer Name _____

Dealer Phone _____

Keep this book and the sales slip together in a safe place for future reference.

In U.S.A.:

**Our Consumer Assistance Center
number is toll-free 24 hours a day.**

1-800-253-1301

In Canada:

Congratulations!

Congratulations on the purchase of your new ice maker. I am confident that our product will provide you with the same quality, performance, and reliability on which our reputation has been built.

Please take time to read this guide. It's full of valuable ideas and information that will help you enjoy this product for many years to come.

Thank you for choosing one of our quality products. You have made an excellent choice.

Sincerely,



Michel Trudel
General Manager
Inglis Limited

Ice Maker Safety

Your safety is important to us.

This guide contains statements under warning symbols. Please pay special attention to these symbols and follow any instructions given. Here is a brief explanation of the use of the warning symbol.

WARNING

This symbol alerts you to such dangers as personal injury, burns, fire, and electrical shock.

IMPORTANT SAFETY INSTRUCTIONS

WARNING

To reduce the risk of fire, electrical shock, or injury when using your ice maker, follow basic precautions including the following:

- Read all instructions before using the ice maker.
- Never allow children to operate, play with, or crawl inside the ice maker.
- Never clean ice maker parts with flammable fluids. The fumes can create a fire hazard or explosion.

• FOR YOUR SAFETY •

DO NOT STORE OR USE GASOLINE OR OTHER FLAMMABLE VAPORS AND LIQUIDS IN THE VICINITY OF THIS OR ANY OTHER APPLIANCE. THE FUMES CAN CREATE A FIRE HAZARD OR EXPLOSION.

– SAVE THESE INSTRUCTIONS –

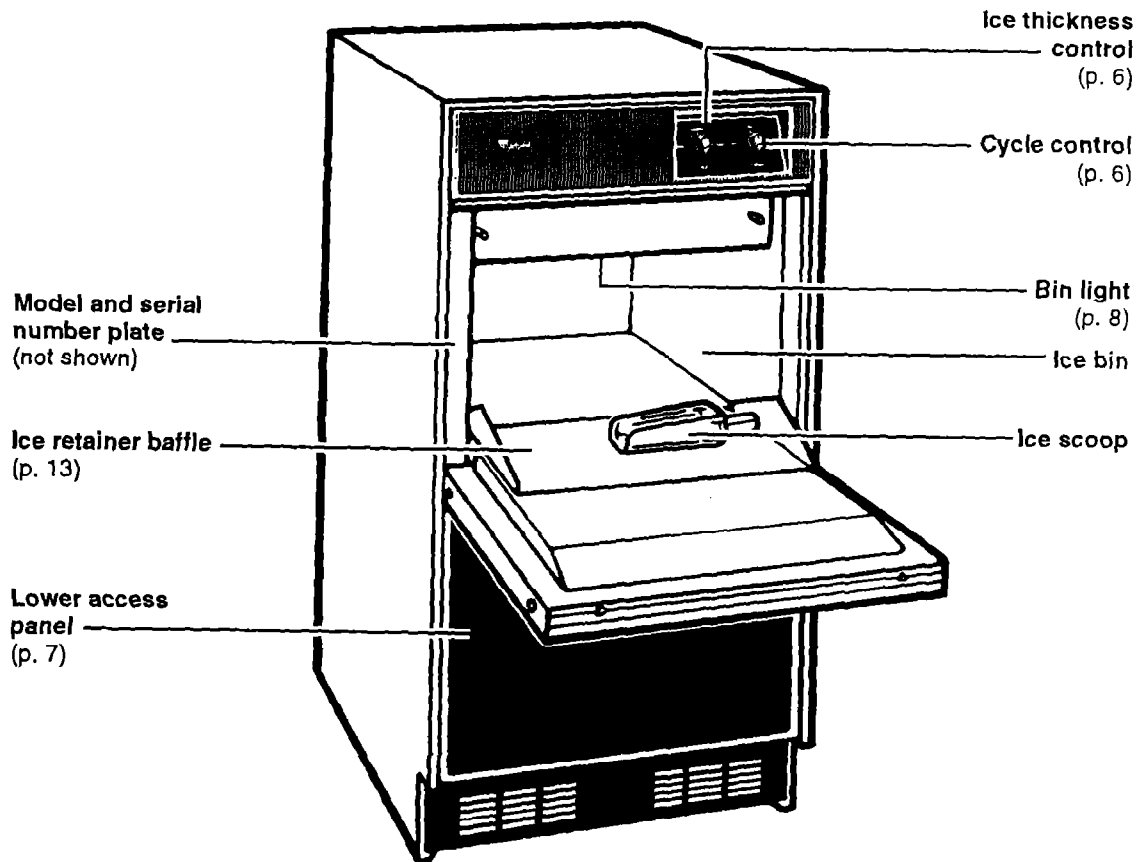
Help us help you

Please be sure your ice maker:

- is installed where it is protected from the elements.
- is located so that the front is not blocked to restrict incoming or discharged air flow.
- is properly leveled.
- is located in a well-ventilated area with temperatures above 55°F (13°C) and below 110°F (43°C). Best results are obtained at temperatures between 70°F (21°C) and 90°F (32°C).
- is properly connected to a water supply and drain.
- is connected only to the proper kind of outlet, with the correct electric supply and grounding. A 120 Volt, 60 Hz., 15 amp fused electrical supply is required.
NOTE: Time delay fuse or circuit breaker is recommended.
- is not used by anyone unable to operate it properly.
- is used only to do what ice makers are designed to do.
- is properly maintained.
NOTE: A drain pump kit (EKDP3) is available as an option for installation where a floor drain is inaccessible.

Parts and Features

This section contains captioned illustrations of your appliance. Use them to become familiar with the location and appearance of all parts and features.



Using Your Ice Maker

In order to obtain the best possible results from your ice maker, you must operate it properly. This section will tell you how to do just that.

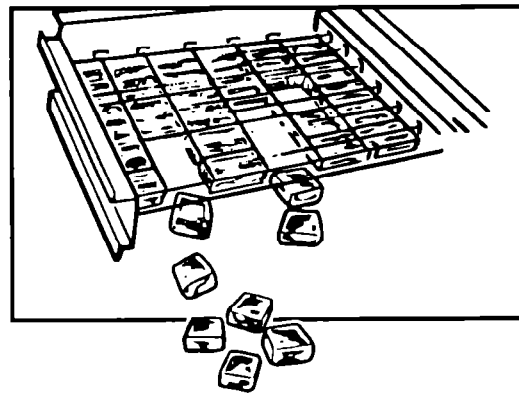
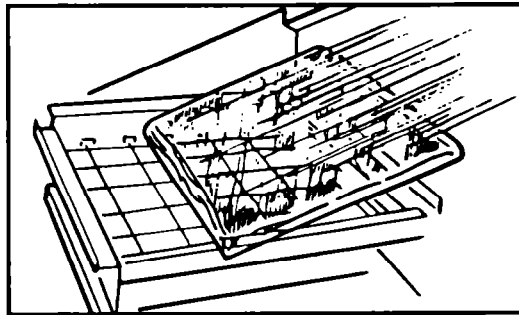
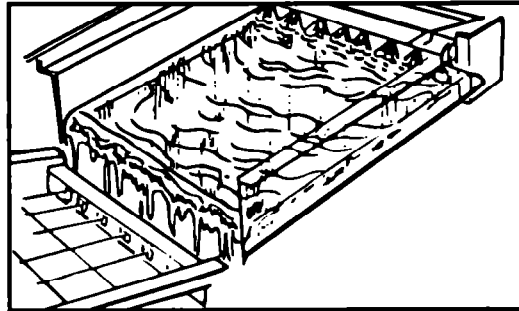
Understanding how your ice maker works

1. Water is constantly circulated over a freezing plate. As the water freezes into ice, the minerals in the water are rejected. This produces a sheet of ice with a low mineral content.

NOTE: The ice maker is designed to make clear ice from the majority of water sources on a daily basis. If your results are unsatisfactory, water may need to be filtered or treated. See "Filtering and treating water" on page 14.

2. When the desired thickness is reached, the ice sheet is released and slides onto a cutter grid. The grid divides the sheet into individual cubes.
3. The water containing the rejected minerals is drained after each freezing cycle.
4. Fresh water enters the machine for the next ice making cycle.

5. Cubes fall into the storage bin. When the bin is full, the ice maker shuts off automatically and restarts when more ice is needed.



USING YOUR ICE MAKER

Setting the controls

1. Select ice thickness. The ice maker has been preset to produce ice approximately $\frac{1}{2}$ " (13 mm) thick, while operating in a room temperature of 70°F (21°C).

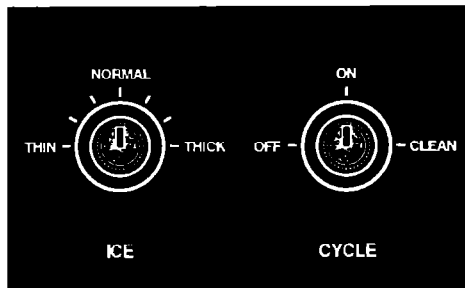
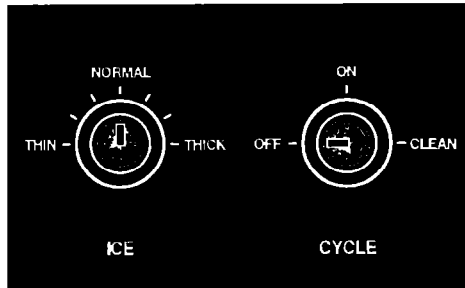
Operation in different room temperatures may require readjusting the control toward "THICK" or "THIN."

Best operation will be obtained with ice $\frac{1}{2}$ " (13 mm) to $\frac{5}{8}$ " (16 mm) thick.

If operating in a warm room (above 90°F [32°C]) **DO NOT** set control to maximum thickness or the unit may malfunction.

2. To start the normal ice making cycle, turn the Cycle Control Knob to "ON."
3. To stop ice maker operation, turn Cycle Control Knob to "OFF."

The "CLEAN" setting is used whenever solutions are circulated through the ice maker for cleaning. Only the water pump operates at this setting. See "Cleaning the ice maker system" on page 11 for specific instructions.

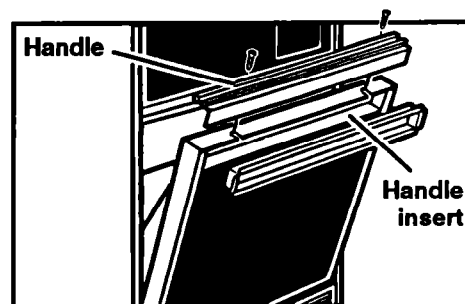


Changing the bin door panel

You can easily change the color of the front panel on the storage bin door. Two colors are available: Black and White.

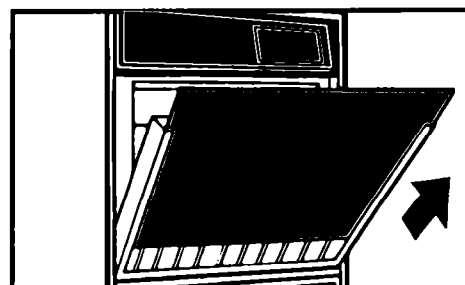
To change panel:

1. Open the storage bin door. Remove the two screws on the top of the door, which hold the handle.
2. Loosen the screws in both of the side trim pieces.
3. Remove the handle and the handle insert.



4. Carefully slide the panel out. You will find the reverse side is white. For units with white panels showing, the reverse side will be black.
5. Choose the color you want to show and carefully slide the panel back into the door.

NOTE: Be careful not to scratch the panel as it is inserted.



6. Replace the handle insert and tighten the screws in both side trim pieces. Replace the handle and the screws.

NOTE: You can make a decorative wood front to match existing cabinets. The panel

should be 1/4" (6 mm) thick and 17" x 11 1/4" (433 mm x 286 mm). Remove the color panel and break off the ribs on the door insulation to allow for wood thickness.

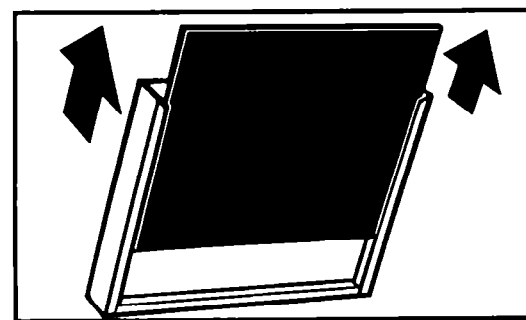
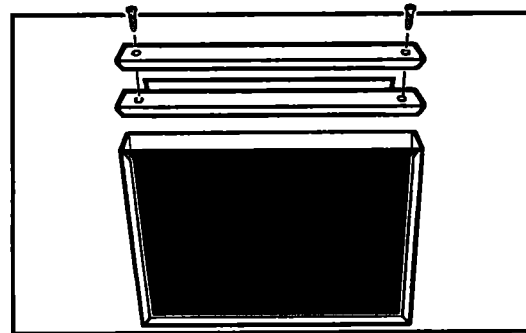
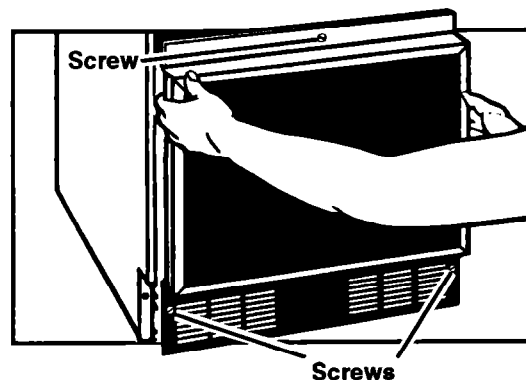
Changing the lower access panel

⚠ WARNING

Electrical Shock Hazard

Do not operate ice maker with lower access panel or control panel removed. Electrical shock or personal injury could result.

1. Remove the two screws in the lower grille area and the one screw from the center of the front panel support. (Open bin door slightly for better access to screw.) Pull forward and down to remove the lower access panel.
2. Remove the two screws from the top panel trim and remove the top trim.
3. Carefully slide the panel out.
4. Choose the color you want to show and carefully slide the panel back into the lower access panel.
NOTE: Be careful not to scratch the panel as it is inserted.
5. Replace the top trim and screws. Replace the lower access panel assembly and screws.
NOTE: You can make a decorative wood front to match existing cabinets. The panel should be 1/4" (6 mm) thick and 17" x 11 5/16" (433 mm x 303 mm). Remove the color panel and spacers to allow for wood thickness.



Changing the light bulb

⚠ WARNING

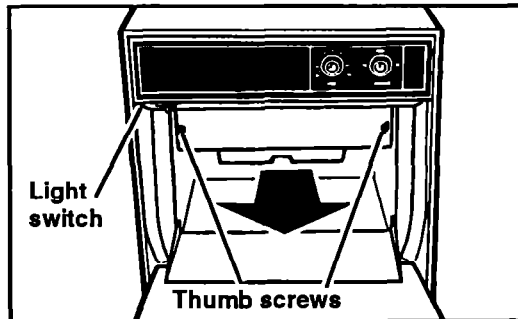
Electrical Shock Hazard

Before removing the light bulb, either unplug the ice maker or disconnect the electricity leading to the ice maker at the main power supply.

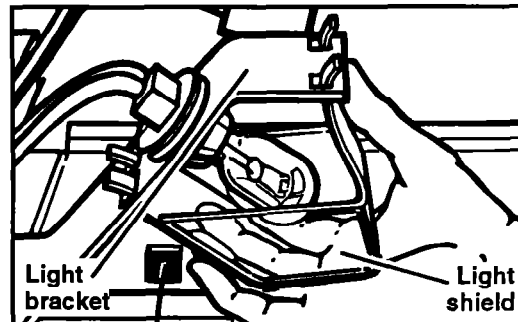
Shock and injury can occur if electricity remains connected.

The ice maker has a light bulb in the top of the storage bin. To replace it, open the bin door and follow these instructions:

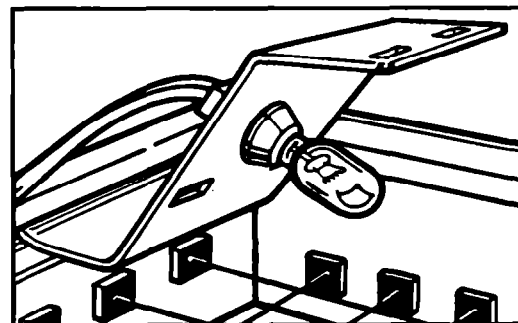
1. Disconnect ice maker from power supply.
2. Remove the two thumb screws and slide the ice cutter grid forward, out of the two slots near the water pan. Set the ice cutter grid on the bin door.



3. Press the front of the light shield in while pulling down to remove it from the light bracket.



4. Remove and replace with a 12-volt wedge base-type bulb (automotive #917).
5. Replace the light shield, ice cutter grid, and two thumb screws.
6. Reconnect power supply.



Cleaning Your Ice Maker

Periodically inspect and clean the ice maker to keep it operating at peak efficiency and to prevent premature failure of system components.

Both the ice making system and the air cooled condenser need to be cleaned regularly.

The minerals rejected from the circulating water during the freezing cycle will eventually form a hard scaly deposit in the water system which prevents a rapid release of the ice from the freezing plate.

Clean the ice and water system periodically to remove mineral scale buildup. Frequency of cleaning depends on water hardness. With hard water (15 to 20 grains/gal. [4 to 5 grains/liter]), cleaning may be required as frequently as every six months.

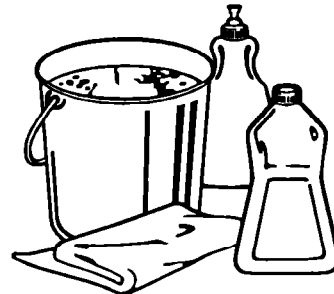
A dirty or clogged condenser:

- prevents proper air flow.
- reduces ice making capacity.
- causes higher than recommended operating temperatures which may lead to component failure.

Cleaning exterior surfaces

Wash the exterior enamel surfaces and gaskets with warm water and mild soap or detergent. Rinse and dry. Regular use of a good household appliance cleaner and wax will help protect the finish.

Do not use abrasive cleaners on enamel surfaces as they may scratch the finish.



Cleaning the condenser

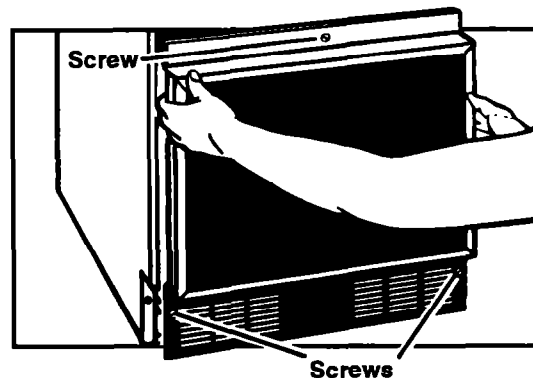
⚠ WARNING

Personal Injury and Product Damage Hazard

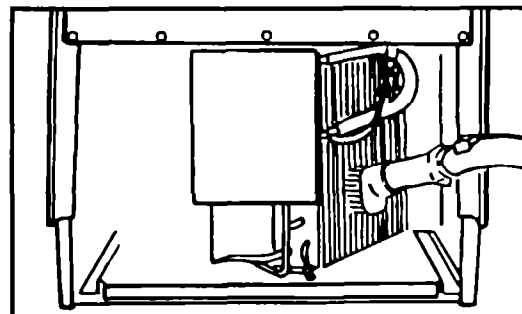
- Be sure the ice maker is OFF and disconnected from the main power supply. Unit could suddenly start if not disconnected. Condenser fan rotation, sharp condenser fins, and hot tubing could cause personal injury.
- Condenser fins can bend easily. Use care when vacuuming the condenser to keep from bending the fins.

Failure to follow the above precautions could result in personal injury or product damage.

1. Disconnect electrical power supply to the ice maker and turn the Cycle Control Knob to "OFF."
2. Remove the two screws in the lower grille area and the one screw from the center of the front panel support. (Open bin door slightly for better access to screw.)
3. Pull forward and down to remove the lower access panel.



4. Remove dirt and lint from the condenser fins and the unit compartment with a brush attachment attached to a vacuum cleaner.
5. Replace the lower access panel and screws. The top of the access panel needs to be secured under the two metal tabs before replacing the screws.
6. Reconnect unit to electrical power supply, and turn the Cycle Control Knob to "ON."



Cleaning the ice maker system

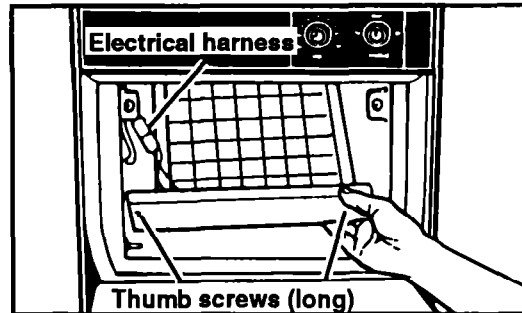
⚠ WARNING

Personal Injury Hazard

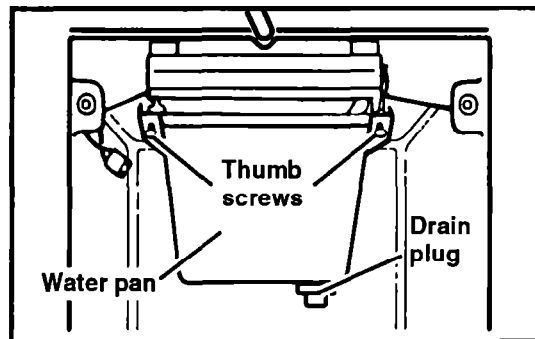
Most ice machine cleaners are citric or phosphoric acid which can cause irritation even after dilution. In case of contact with eyes, flush eyes thoroughly with fresh water and contact a physician immediately. In case of contact with skin, rinse well with water. If *swallowed*, give large amounts of water and contact a physician immediately. Do not induce vomiting. **KEEP OUT OF REACH OF CHILDREN.**

1. Turn the Cycle Control Knob to "OFF."
2. Remove the two thumb screws and slide the ice cutter grid forward, out of the two slots near the water pan.
3. Unplug the electrical harness.

NOTE: Any ice on the grid should be melted under running warm water. Attempting to pick the ice slab off the grid may stretch and damage grid wires.
4. Remove all ice from the storage bin and the freezing plate.



5. Drain the water pan by removing the drain plug and then replace the plug.



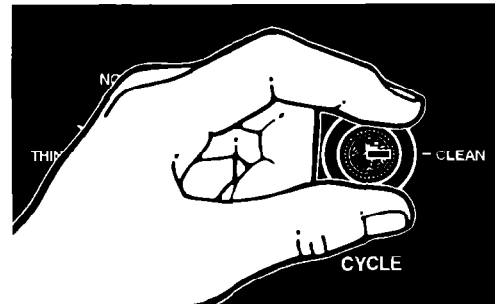
continued on next page

CLEANING YOUR ICE MAKER

6. Pour 2 quarts (2 L) of hot water into the water pan and turn the cycle control to "CLEAN." This step warms up the system and allows the cleaning solution to be more effective. Allow to circulate 5 minutes. Turn switch to "OFF" and drain.

Prepare the cleaning solution by thoroughly mixing 6 oz. (170 gm) of powdered citric acid or phosphoric acid into 2 quarts (2 L) of hot water. Commercial ice machine cleaners are also available in liquid form and should be mixed according to instructions on the label.

7. Pour cleaning solution into water pan and turn switch to "CLEAN." If solution foams while pouring, stop until foaming subsides, then add balance of solution. Allow solution to circulate until scale has dissolved. The circulating solution may not contact scale on the side flanges of the freezing plate. To remove this scale, wear rubber gloves and use a stainless steel sponge or pad dipped in cleaning solution to scrub the side flanges until scale is removed. Generally scale will be dissolved in 15 to 30 minutes. Severe scale formation may require repeating the cleaning process with a fresh quantity of solution if the scale has not dissolved after 30 minutes.
8. Turn switch to "OFF" and drain.
9. Follow cleaning with two fresh water rinses, circulating each rinse for 5 minutes, and drain.
10. This completes the "in place" cleaning and sanitizing of the water system and freezing plate. Other interior components must also be cleaned and sanitized.



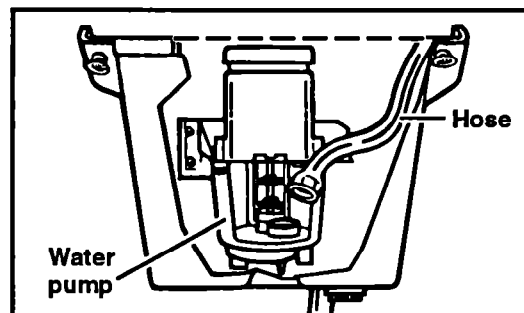
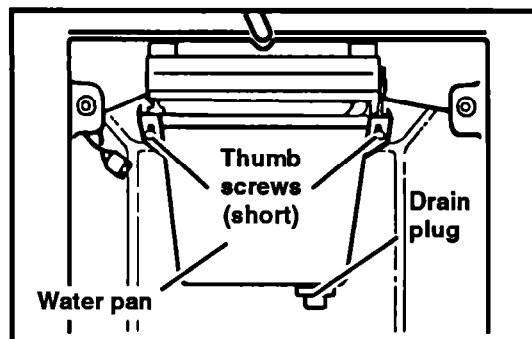
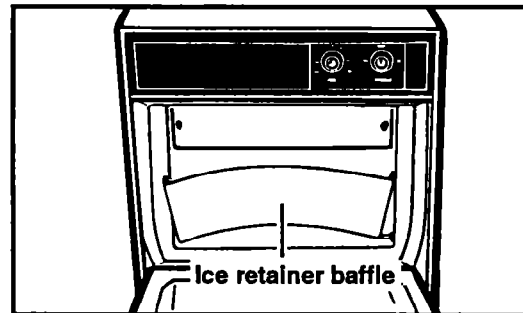
Cleaning the interior components

⚠ WARNING

Electrical Shock and Product Damage Hazard

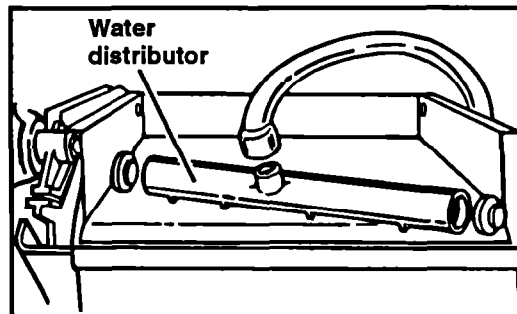
- Do not operate ice maker with lower access panel or control panel removed. Electrical shock or personal injury could result.
 - Do not wash plastic parts in dishwasher. They cannot withstand temperatures above 145°F (63°C).
- Failure to follow the above precautions could result in electrical shock or product damage.

1. Disconnect the electrical power supply to the machine, and turn the Cycle Control Knob to "OFF." Open the storage bin door and remove any ice that is in the bin.
2. Remove ice retainer baffle by flexing it and then slide it off the studs.
3. Remove the ice cutter grid by unscrewing the two thumb screws, sliding the grid forward, and unplugging the electrical wire harness.
4. Remove the water pan by unscrewing and removing the two thumb screws and washers.
5. Remove the hose from the water pump.



CLEANING YOUR ICE MAKER

6. Remove the water distributor from the freezing plate. It is held in place by rubber end caps. Remove the inlet hose and clean all water distributor holes and the small orifice in the inlet side of the distributor. When replacing the distributor, make sure the end caps are located in the evaporator flange detents and that the water distributor holes face down.
7. Wash the interior components (ice retainer baffle, cutter grid, water pan, inlet hose, and water distributor) and the storage bin, door gasket, and ice scoop with mild soap or detergent and warm water. Rinse in clean water. These components should also be cleaned in a solution of 1 oz. (29.6 mL) of chlorine bleach in 1 gallon (3.8 L) warm water. Rinse again thoroughly in clean water.
8. Replace the interior components: water distributor, inlet hose, and water pan.
9. Check the following:
 - Hose from water valve is in water pan.
 - Rubber drain plug is in water pan.
 - Water distributor is located properly and holes are facing down.
 - Hose is reconnected to pump and water distributor.
 - Hose from water pan is inserted into storage bin drain opening.
10. Reconnect electrical harness, slide cutter grid into place, and tighten the thumb screws. Replace the ice retainer baffle.
11. Reconnect unit to electrical supply, and turn Cycle Control Knob to "ON."



Filtering and treating water

In some areas it may be beneficial to filter or treat the water being supplied to the ice machine. It can improve the reliability of the machine, reduce water system maintenance, and produce the best quality of ice.

The installation of a polyphosphate feeder will generally reduce scale buildup and the ice machine will require less frequent cleaning.

Municipal water systems are generally treated with chlorine to maintain a safe drinkable water supply. Activated carbon filters will sufficiently remove the residual chlorine from the water to reduce surface staining of stainless steel materials in the ice machine.

For more information on filtering and treating the water, see the dealer from whom you purchased your ice maker.

Vacation and Moving Care

⚠ WARNING

Electrical Shock Hazard

Make sure the ice maker is disconnected from the main power supply before removing lower access panel.

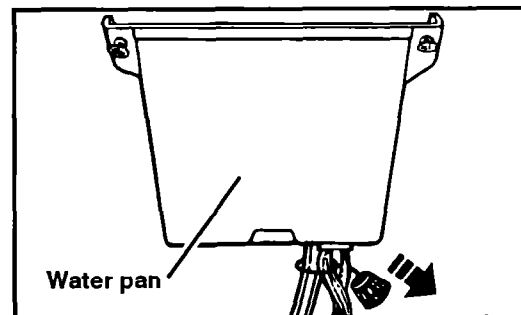
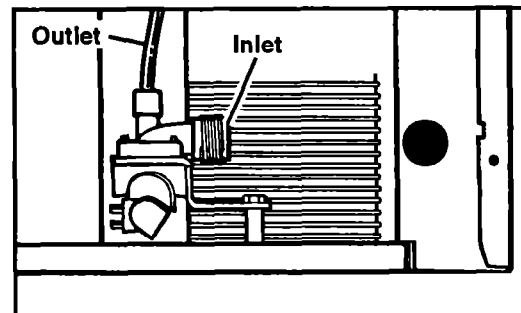
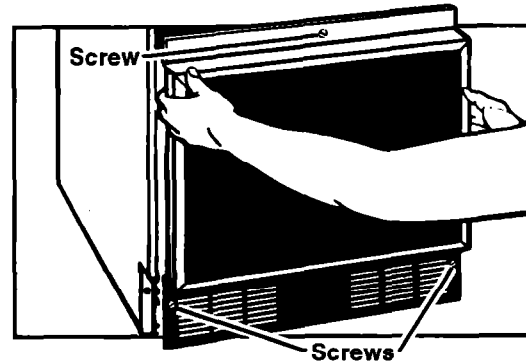
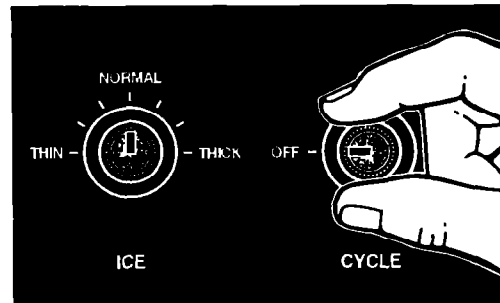
Failure to do so could result in electrical shock or personal injury.

To shut down the ice maker:

1. Turn the Cycle Control Knob to "OFF," and disconnect electrical power supply to the ice maker.
2. Remove all ice from storage bin.
3. Shut off the water supply.
4. Remove the two screws in the lower grille area and the one screw from the center of the front panel support. (Open bin door slightly for better access to screw.) Pull forward and down to remove the lower access panel.
5. Disconnect the inlet and outlet lines to water valve. Allow these lines to drain and then reconnect to the valve.
6. Replace lower access panel and screws.

7. Remove water from drain lines and drain water pan.
8. Before using again, clean the ice maker and storage bin.

NOTE: All components of the ice maker are permanently lubricated at the factory. They should not require any additional oiling throughout the normal life of the machine.



Troubleshooting

Performance problems often result from little things you can find and fix without tools of any kind. Please check the chart below for problems you can fix. It could save you the cost of a service call.

PROBLEM	POSSIBLE CAUSE
Unit does not run	<ul style="list-style-type: none"> • Cycle Control Knob must be in the "ON" position. • Check to see that power cord is plugged in. • Check for blown fuse or tripped circuit breaker in electrical supply to machine. • Room temperature must be above 55°F (13°C). Otherwise, bin thermostat may sense cold room temperature and shut off even though bin is not full of ice. Also, unit may not restart once it does shut off.
Unit runs but produces no ice	<ul style="list-style-type: none"> • Cycle Control Knob must be in the "ON" position. • Check water supply to make sure it is open. • If ice machine is operated at an elevation of 2,000 feet (0.6 km) or more above sea level, both the bin thermostat and ice thickness thermostat need to be recalibrated. See Installation Instructions.
Unit runs but produces very little ice	<ul style="list-style-type: none"> • Room temperature may be extremely high, more than 90°F (32°C). In this case, it is normal for ice production to be low. • Dirt or lint may be blocking the air flow through the condenser. Condenser needs to be cleaned. • Check to see if the unit has a scale buildup in water and freezing system. Clean, if necessary.
Grid is not cutting ice sheets	<ul style="list-style-type: none"> • Check the grid harness plug to make sure the connection is secure.
Taste in ice cubes	<ul style="list-style-type: none"> • There may be an unusually high mineral content in water supply. Water may need to be filtered or treated. • Do not store any foods in the ice bin. • Packaging material not all removed.

Requesting Assistance or Service

Before calling for assistance or service, please check "Troubleshooting" on page 16. It may save you the cost of a service call. If you still need help, follow the instructions below.

For service or assistance in the U.S.A.:

1. If you need assistance* ...



Call Whirlpool Consumer Assistance Center telephone number. Dial toll-free from anywhere in the U.S.A.:

1-800-253-1301

and talk with one of our trained consultants. The consultant can instruct you in how to obtain satisfactory operation from your appliance or, if service is necessary, recommend a qualified service company in your area.

If you prefer, write to:

Mr. William Clark
Consumer Assistance Representative
Whirlpool Corporation
2000 North M-63
Benton Harbor, MI 49022-2692

Please include a daytime phone number in your correspondence.

2. If you need service* ...



Whirlpool has a nationwide network of authorized Whirlpool service companies. Whirlpool service technicians are trained to fulfill the product warranty and provide after-warranty service, anywhere in the United States. To locate the authorized Whirlpool service company in your area, call our Consumer Assistance Center telephone number (see Step 1) or look in your telephone directory Yellow Pages under:

• APPLIANCE-HOUSEHOLD-
MAJOR, SERVICE & REPAIR
- See: Whirlpool Appliances or
Authorized Whirlpool Service
(Example: XYZ Service Co.)

• WASHING MACHINES &
DRYERS, SERVICE & REPAIR
- See: Whirlpool Appliances or
Authorized Whirlpool Service
(Example: XYZ Service Co.)

3. If you need FSP® replacement parts ...

FSP is a registered trademark of Whirlpool Corporation for quality parts. Look for this symbol of quality whenever you need a replacement part for your Whirlpool appliance. FSP replacement parts will fit right and work right, because they are made to the same exacting specifications used to build every new Whirlpool appliance.

To locate FSP replacement parts in your area, refer to Step 2 or call the Whirlpool Consumer Assistance Center number in Step 1.

4. If you are not satisfied with how the problem was solved ...

- Contact the Major Appliance Consumer Action Panel (MACAP). MACAP is a group of independent consumer experts that voices consumer views at the highest levels of the major appliance industry.
- Contact MACAP only when the dealer, authorized servicer, and Whirlpool have failed to resolve your problem.

Major Appliance Consumer Action Panel
20 North Wacker Drive
Chicago, IL 60606

- MACAP will in turn inform us of your action.

*When asking for help or service:

Please provide a detailed description of the problem, your appliance's complete model and serial numbers, and the purchase date. (See page 2.) This information will help us respond properly to your request.

REQUESTING ASSISTANCE OR SERVICE

For service or assistance in Canada:

1. If the problem is not due to one of the items listed in "Troubleshooting" ...

Contact the dealer from whom you purchased your appliance or your nearest Inglis Limited Appliance Service Branch. Please include a daytime phone number in your correspondence.



2. If you need service...

Contact your nearest Inglis Limited Appliance Service Branch or authorized servicing outlet to service your appliance.



NOTE: When asking for help or service, please provide a detailed description of the problem, your appliance's complete model and serial numbers, and the purchase date. (See page 2.) This information will help us respond properly to your request.

Inglis Limited Appliance Service-Consumer Services

Direct service branches:

BRITISH COLUMBIA	Vancouver	Inglis Limited Appliance Service 3627 E. 4th Avenue	(604) 291-6426
	Victoria	Inglis Limited Appliance Service 3117 Steele Street	(604) 291-6426
ALBERTA	Calgary	Inglis Limited Appliance Service #15, 6025 12th Street S.E.	(403) 253-9267
	Edmonton	Inglis Limited Appliance Service 16236 116th Avenue	(403) 453-3900
ONTARIO	Toronto (Mississauga)	Inglis Limited Appliance Service 5945 Ambler Drive	(905) 624-2800
	Toronto (Markham)	Inglis Limited Appliance Service Unit #1, 110 Torbay Road	(905) 475-9511
	Ottawa	Inglis Limited Appliance Service 28 Capital Drive	(613) 225-0510
MANITOBA	Winnipeg	Inglis Limited Appliance Service 1683 Church Avenue	(204) 694-5308
QUEBEC	Montreal (Laval)	Inglis Limited Appliance Service 2750 Francis Hughes	(514) 382-8110
	Brossard	Inglis Limited Appliance Service 9605 F. Ignace Street	(514) 397-1840
	Quebec City	Inglis Limited Appliance Service 5275 Blvd. Wilfrid Hamel, Suite 140	(418) 871-5251
	Sherbrooke (Rock Forest)	Inglis Limited Appliance Service 3475 Industrial Blvd.	(819) 564-6565
NOVA SCOTIA	Dartmouth	Inglis Limited Appliance Service 900 Windmill Road	(902) 468-6634

For service in areas other than those listed, contact your Appliance Dealer.

Index

This index is alphabetical. Look for the word or phrase you are interested in, then look for the page number.

<u>TOPIC</u>	<u>PAGE</u>	<u>TOPIC</u>	<u>PAGE</u>
CARE		PANELS	
Moving	15	Bin door, changing	6
Vacation	15	Lower access, changing	7
CLEANING	9	PARTS/FEATURES	4
Condenser	10	RESPONSIBILITIES	
Ice maker system	11	Owner	3
Interior parts	13	SAFETY	3
CONTROLS		SERVICE	
Setting	6	Parts	17
ELECTRICAL NEEDS	3	Requesting	17
FEATURES/PARTS	4	TROUBLESHOOTING	16
ICE MAKER		WARRANTY	20
Using	5-8	WATER	
LIGHT BULB		Filtering and treating	14
Changing	8		

Warranties

WHIRLPOOL® Ice Maker Warranty (U.S.A.)

LENGTH OF WARRANTY	WE WILL PAY FOR
FULL ONE YEAR WARRANTY From Date of Purchase For Residential Use	FSP® replacement parts and repair labor to correct defects in materials or workmanship. Service must be provided by an authorized service company.
LIMITED ONE-YEAR WARRANTY From Date of Purchase For Commercial Use	FSP replacement parts for any parts which are defective in materials or workmanship.
FULL FIVE-YEAR WARRANTY From Date of Purchase	FSP replacement parts and repair labor for the compressor if defective in materials or workmanship.
WE WILL NOT PAY FOR	
<p>A. Service calls to:</p> <ol style="list-style-type: none"> 1. Correct the installation of your ice maker. 2. Instruct you how to use your ice maker. 3. Replace house fuses or correct house wiring or plumbing. <p>B. Pickup and delivery. Your ice maker is designed to be repaired in the home.</p> <p>C. Damage to your ice maker caused by accident, misuse, fire, flood, acts of God, or use of products not approved by us.</p> <p>D. Any labor costs during the limited warranty.</p> <p>E. Repairs to parts or systems caused by unauthorized modifications made to the appliance.</p>	

6/94

WE SHALL NOT BE LIABLE FOR INCIDENTAL OR CONSEQUENTIAL DAMAGES. Some states do not allow the exclusion or limitation of incidental or consequential damages, so this limitation or exclusion may not apply to you. This warranty gives you specific legal rights, and you may also have other rights which vary from state to state or province to province.

Outside the United States or Canada, a different warranty may apply. For details, please contact your authorized Whirlpool distributor or military exchange.

If you need service, first see the "Requesting Assistance or Service" section of this book. After checking "Requesting Assistance or Service," additional help can be found by calling our Consumer Assistance Center telephone number, **1-800-253-1301**, from anywhere in the U.S.A., or see Inglis Limited Consumer Services on page 18 for a service branch near you.

WARRANTY (Canada)

Dear Customer:

Good performance. That's what our warranty is all about. Here's how the good performance that you expect from your Ice Maker is protected.

WARRANTY FOR YOUR ICE MAKER

During the first year after purchase, all parts of the appliance which prove to be defective in materials or workmanship will be repaired or replaced free of charge (parts and labour).

During the first five years after purchase, all parts of the sealed refrigeration system, which consists of the compressor, condenser, evaporator, and connecting tubing, which prove to be defective in materials or workmanship, will be repaired or replaced at no cost to you.

During the sixth through tenth years after purchase, should the compressor fail due to defective materials or workmanship, the compressor will be repaired or replaced and you pay for any labour charge.

There may be a charge for travel or transportation expenses in those instances where a customer resides in a remote area.

Parts repaired or replaced under this warranty are warranted throughout the remainder of the original warranty period only.

This protection covers your home use of the appliance. This same protection applies to any subsequent owner during the applicable warranty period based on the original owner's purchase date.

This warranty does not cover damage by accident, misuse, improper installation, fire, flood, or acts of God.

This is the only warranty covering this appliance given by the manufacturer.

The provisions of this warranty are in addition to and not a modification of or subtraction from the statutory warranties and the other rights and remedies contained in any applicable legislation.

Now about servicing. If your appliance does not operate properly, check "Troubleshooting" (page 16) to see if the problem can be resolved without the assistance of a serviceman. If it cannot, please immediately contact the retailer from whom it was purchased or one of our Company-owned Service Branches or Company-owned Service Depots located across Canada.

Please keep your sales slip with your Use and Care Guide. It's nice to know you'll have protection, even though you may never need it.

Sincerely,

**INGLIS LIMITED
ADMINISTRATION CENTRE
1901 MINNESOTA COURT
MISSISSAUGA, ONTARIO L5N 3A7**



Printed on recycled paper—
10% post-consumer waste
50% recovered materials

© 1994 Whirlpool Corporation

• Registered Trademark of Whirlpool, U.S.A.

Printed in U.S.A.



G U I D E **d'utilisation et d'entretien**



Veillez noter	2
Sécurité de la machine à glaçons	3
Pièces et caractéristiques	4
Utilisation de la machine à glaçons	5
Nettoyage de la machine à glaçons	11
Précautions à prendre pour les vacances ou le déménagement	19
Dépannage	20
Appel d'aide ou de service	21
Garantie	24

MACHINE À GLAÇONS AUTOMATIQUE

Pièce n° 2180633 10/94

Veillez noter

Merci d'avoir acheté un appareil électroménager Whirlpool®.

Comme votre vie devient plus affairée et plus compliquée, les machines à glaçons Whirlpool sont faciles à utiliser, font économiser du temps et aident à mieux administrer votre foyer. Pour garantir que cet appareil vous donnera de nombreuses années de service sans problème, nous avons préparé ce Guide d'utilisation et d'entretien. Il est plein de renseignements utiles qui vous aideront à utiliser et à entretenir votre appareil convenablement et en sécurité. Veuillez également compléter et retourner la carte d'enregistrement du propriétaire fournie avec l'appareil.

Veillez inscrire les renseignements concernant votre machine à glaçons.

Si jamais vous avez besoin de service pour votre appareil ménager, vous devrez connaître le numéro de modèle et le numéro de série. Ces renseignements sont indiqués sur la plaque signalétique des numéros de modèle et de série (voir schéma, page 4).

Veillez également noter la date d'achat du produit ainsi que les nom, adresse et numéro de téléphone du marchand.

Numéro de modèle _____

Numéro de série _____

Date d'achat _____

Nom du marchand _____

Téléphone _____

Conservez cette brochure et la facture de vente en lieu sûr pour référence ultérieure.

Félicitations!

Félicitations pour l'achat de votre nouvelle machine à glaçons. Je suis persuadé que notre produit vous fournira la même qualité, performance et fiabilité qui ont établi notre réputation.

Veillez prendre le temps de lire ce guide. Il contient de nombreuses idées et des renseignements appréciables qui vous aideront à bénéficier de ce produit pendant de nombreuses années à venir.

Nous vous remercions d'avoir choisi l'un de nos produits de qualité. Vous avez fait un excellent choix.

Sincèrement,



Michel Trudel
Directeur général
Inglis Limitée

Sécurité de la machine à glaçons

Votre sécurité nous tient à coeur.

Ce guide contient des instructions de sécurité sous des symboles d'avertissement. Veuillez accorder une attention particulière à ces symboles et observer toutes les instructions qui les accompagnent. Voici une brève explication du sens de ce symbole.

⚠ AVERTISSEMENT

Ce symbole vous avertit de dangers tels que blessures, brûlures, incendie et choc électrique.

IMPORTANTES INSTRUCTIONS DE SÉCURITÉ

⚠ AVERTISSEMENT

Afin de réduire les risques d'incendie, de choc électrique ou de blessures lors de l'utilisation de la machine à glaçons, suivre les précautions de base, y compris les suivantes :

- Lire toutes les instructions avant d'utiliser la machine à glaçons.
- Ne jamais laisser les enfants se servir, jouer ou ramper à l'intérieur de la machine à glaçons.
- Ne jamais nettoyer la machine à glaçons avec des liquides inflammables. Les vapeurs risquent de provoquer un incendie ou une explosion.

• POUR VOTRE SÉCURITÉ •

NE PAS EMMAGASINER OU UTILISER DE L'ESSENCE OU D'AUTRES VAPEURS ET LIQUIDES INFLAMMABLES À PROXIMITÉ DE CET APPAREIL OU DE TOUT AUTRE APPAREIL. LES VAPEURS RISQUENT DE PROVOQUER UN INCENDIE OU UNE EXPLOSION.

– CONSERVER CES INSTRUCTIONS –

Aidez-nous à vous aider

Veuillez vous assurer que la machine à glaçons :

- est installée là où elle est protégée des intempéries.
- est placée de telle manière que le devant n'est pas bloqué pour empêcher le passage de l'air.
- est bien mise de niveau.
- est située dans un endroit bien ventilé où la température restera au-dessus de 13 °C (55 °F) et au-dessous de 43 °C (110 °F). Pour un rendement maximum, placer la machine dans un endroit où la température se situe entre 21 °C (70 °F) et 32 °C (90 °F).
- est raccordée comme il faut à un tuyau d'alimentation d'eau et à un tuyau d'écoulement.

- est raccordée à une prise de courant appropriée, mise à la terre et fournissant le courant électrique voulu. L'alimentation électrique doit être de 120 volts, 60 Hz, de 15 A, protégée par fusible.

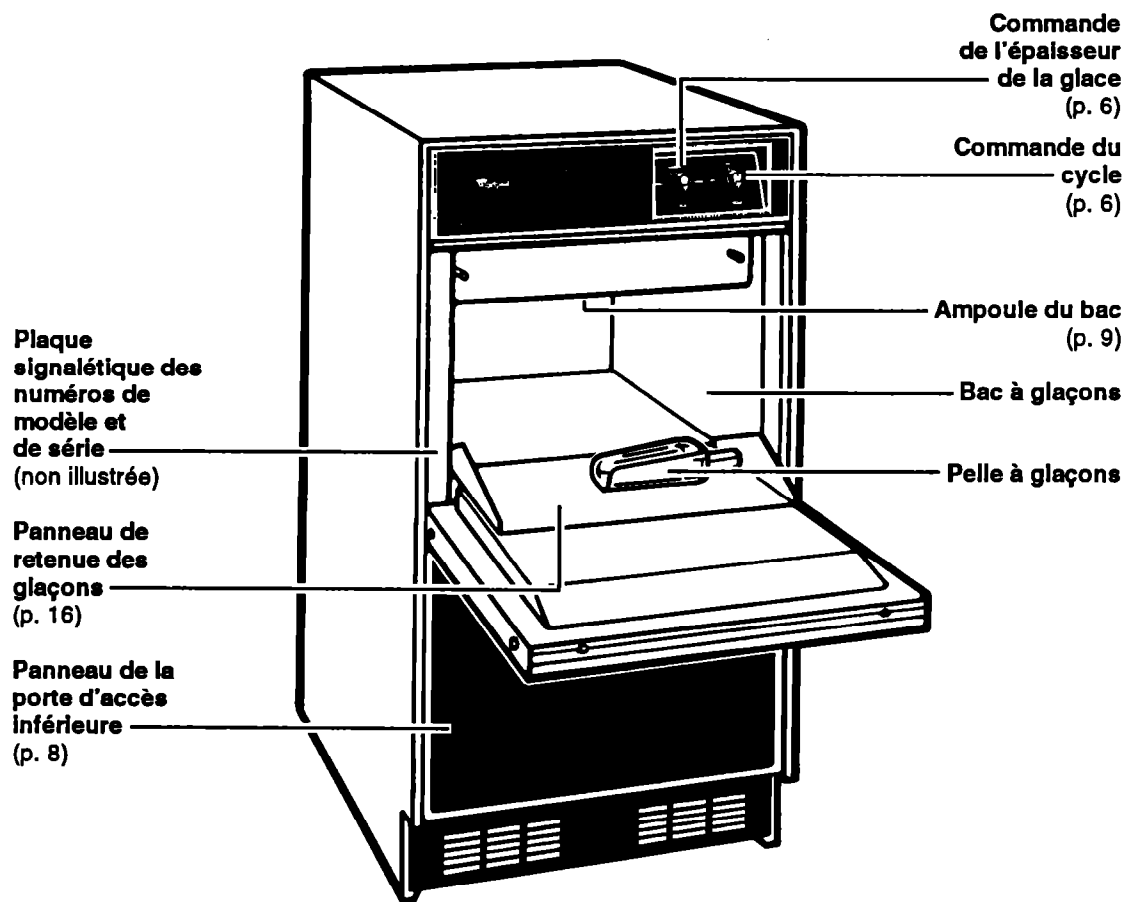
REMARQUE : Il est recommandé de se servir d'un fusible temporisé ou d'un disjoncteur.

- n'est pas utilisée par quiconque incapable de la faire fonctionner correctement.
- est utilisée seulement pour faire des glaçons.
- est bien entretenue.

REMARQUE : On peut se procurer en option un nécessaire de pompe de vidange (EKDP3) à installer lorsqu'un siphon de sol est inaccessible.

Pièces et caractéristiques

On présente dans cette section une illustration de l'appareil identifiant ses composants. L'utilisateur doit s'en servir pour se familiariser avec l'emplacement et l'apparence de tous les composants, et avec les caractéristiques de la machine à glaçons.



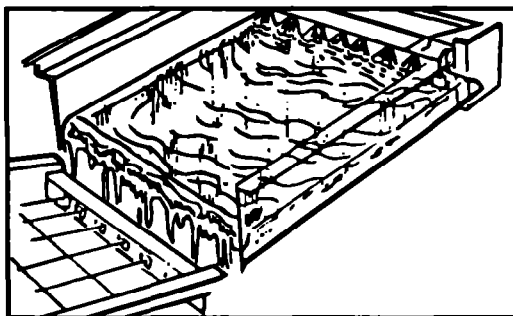
Utilisation de la machine à glaçons

Il convient d'utiliser la machine à glaçons correctement pour en obtenir les meilleurs résultats. C'est précisément ce que décrit cette section.

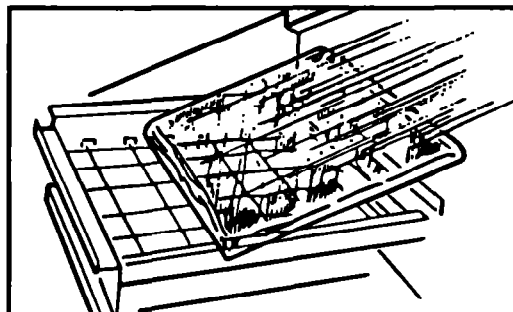
Comment fonctionne la machine à glaçons

1. L'eau circule constamment sur un plateau de congélation. Tandis que l'eau se congèle, les minéraux qu'elle contient sont expulsés. Il en résulte une plaque de glace transparente, à faible teneur en minéraux.

REMARQUE : La machine à glaçons est conçue pour quotidiennement produire des glaçons transparents avec la plupart des sources d'eau. En cas de résultats insatisfaisants, il faudra peut-être filtrer ou traiter l'eau. Voir "Filtration et traitement de l'eau" à la page 18.



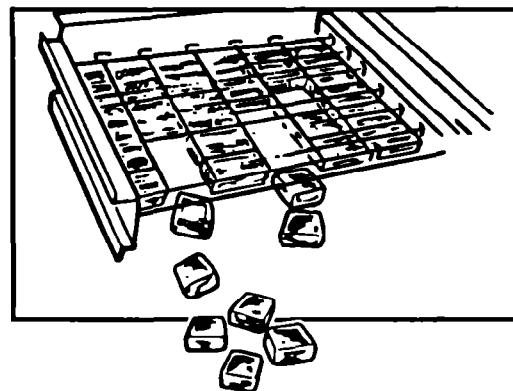
2. Une fois qu'elle a atteint l'épaisseur désirée, la plaque de glace se dégage et glisse dans un plateau quadrillé, où elle est taillée en glaçons.



3. L'eau contenant les déchets minéraux est évacuée après chaque cycle de congélation.

4. De l'eau fraîche s'infiltré de nouveau dans la machine en vue du prochain cycle de fabrication de glaçons.

5. Les glaçons tombent dans le bac à glaçons. La machine à glaçons s'arrête automatiquement dès que le bac est plein, et elle se remet en marche lorsqu'il faut plus de glaçons.



UTILISATION DE LA MACHINE À GLAÇONS

Réglage des commandes

1. Régler la commande de l'épaisseur de la glace. La machine à glaçons a été pré-réglée pour produire des plaques de glace d'environ 1,3 cm (1/2 po) d'épaisseur, dans une pièce où la température ambiante est de 21 °C (70 °F).

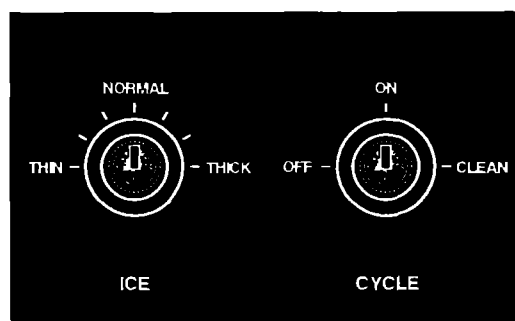
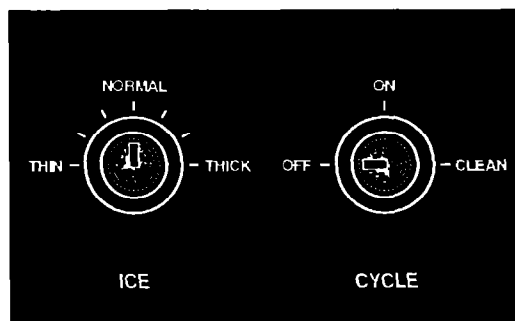
Si la machine se trouve dans une pièce où la température est différente, il sera peut-être nécessaire de tourner le bouton de commande vers "THICK" (épais) ou "THIN" (mince).

La machine fonctionne le mieux lorsqu'il s'agit de fabriquer des plaques de glace de 1,3 cm à 1,6 cm (1/2 po à 5/8 po) d'épaisseur.

Si la machine se trouve dans une pièce où la température ambiante est élevée (au-dessus de 32 °C [90 °F]), **NE PAS** régler la commande de l'épaisseur de la glace à sa position maximum. L'appareil risquerait de mal fonctionner.

2. Pour commencer le cycle normal de fabrication des glaçons, tourner le bouton de commande du cycle à "ON" (marche).
3. Pour arrêter la machine à glaçons, tourner le bouton de commande du cycle à "OFF" (arrêt).

Le réglage "CLEAN" (nettoyage) est utilisé chaque fois que l'on fait circuler des liquides dans la machine à glaçons pour la nettoyer. Seule la pompe à eau fonctionne dans cette position de réglage. Voir "Nettoyage du dispositif de la machine à glaçons", à la page 13, pour obtenir des instructions particulières.

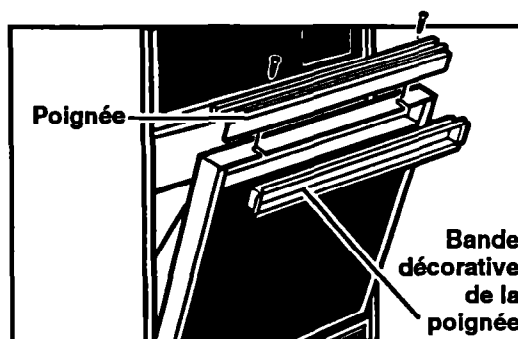


Changement du panneau de la porte du bac à glaçons

Le panneau de la porte du bac à glaçons peut facilement être changé par un panneau de couleur différente. Deux couleurs sont disponibles : noir et blanc.

Pour remplacer le panneau :

1. Ouvrir la porte du bac à glaçons. Enlever les deux vis situées au sommet de la porte et servant à retenir la poignée.
2. Desserrer les vis des garnitures latérales.
3. Retirer la poignée et la bande décorative de la poignée.

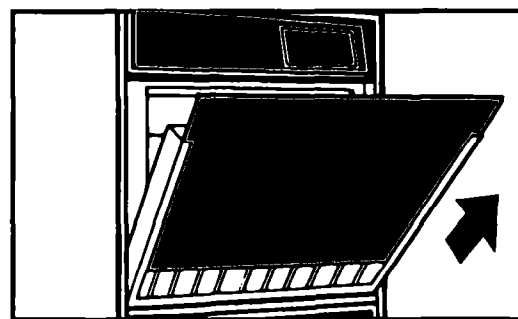


4. Faire glisser soigneusement le panneau vers l'extérieur. Vous constaterez que l'envers du panneau est blanc. Pour les appareils avec des panneaux blancs à l'extérieur, l'envers sera noir.
5. Choisir la couleur à montrer et refaire glisser soigneusement le panneau dans la porte.

REMARQUE : Faire attention à ne pas égratigner le panneau lorsqu'on l'insère.

6. Replacer la bande décorative de la poignée et serrer les vis de chaque garniture latérale. Replacer la poignée et les vis.

REMARQUE : On peut faire un panneau avant décoratif en bois pour l'assortir aux armoires de cuisine existantes. Le panneau devrait avoir 6 mm (1/4 po) d'épaisseur et mesurer 433 mm x 286 mm (17 po x 11 1/4 po). Enlever le panneau de couleur, retirer les nervures sur la matière isolante de la porte pour dégager l'espace nécessaire pour l'épaisseur du bois.



Changement du panneau de la porte d'accès inférieure

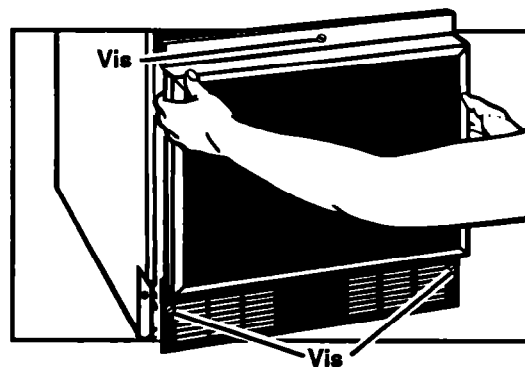
⚠ AVERTISSEMENT

Risque de choc électrique

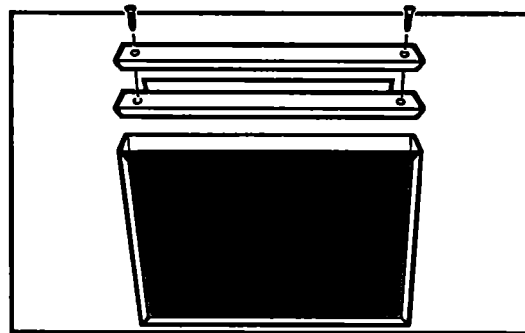
Ne pas utiliser la machine à glaçons lorsque le panneau de la porte d'accès inférieure ou le tableau de commande est enlevé.

Il pourrait y avoir un risque de choc électrique ou de blessures.

1. Dévisser les deux vis de la grille et la vis centrale du support du panneau avant. (Ouvrir légèrement la porte du condenseur pour mieux accéder à la vis.) Tirer vers vous et vers le bas pour enlever le panneau d'accès inférieur.



2. Enlever les deux vis situées sur la garniture supérieure de la porte et retirer la garniture supérieure.



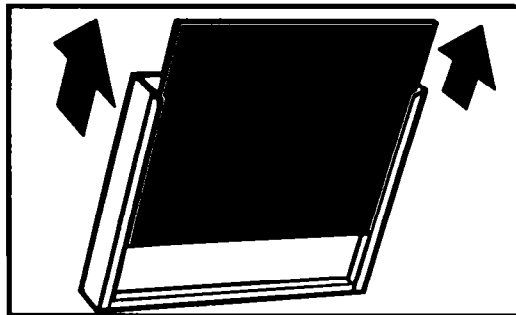
UTILISATION DE LA MACHINE À GLAÇONS

3. Faire glisser soigneusement le panneau vers l'extérieur.
4. Choisir la couleur à montrer et refaire glisser soigneusement le panneau dans la porte d'accès inférieure.

REMARQUE : Faire attention à ne pas égratigner le panneau lorsqu'on l'insère.

5. Replacer la garniture supérieure et les vis. Replacer la porte d'accès inférieure et les vis.

REMARQUE : On peut faire un panneau avant décoratif en bois pour l'assortir aux armoires de cuisine existantes. Le panneau devrait avoir 6 mm (1/4 po) d'épaisseur et mesurer 433 mm x 303 mm (17 po x 11¹⁵/₁₆ po). Enlever le panneau de couleur et les entretoises pour dégager l'espace nécessaire pour l'épaisseur du bois.



Remplacement de l'ampoule

⚠ AVERTISSEMENT

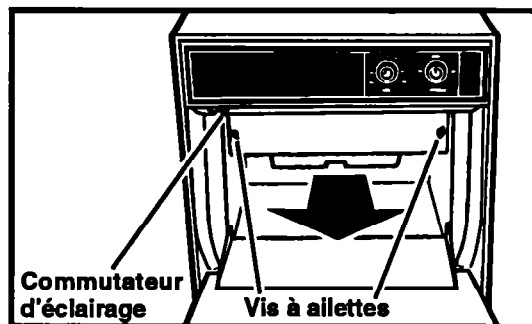
Risque de choc électrique

Avant d'enlever l'ampoule, débrancher la machine à glaçons ou interrompre le courant conduisant à la machine à glaçons, au niveau de l'alimentation principale.

Si le courant n'est pas interrompu, il y a un risque de choc et de blessures.

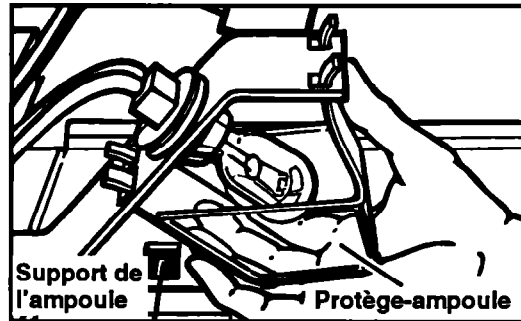
La machine à glaçons possède une ampoule située dans la partie supérieure du bac à glaçons. Pour la remplacer, ouvrir la porte du bac à glaçons et procéder comme suit :

1. Débrancher la machine à glaçons.
2. Enlever les deux vis à ailettes. Faire glisser vers l'avant, et hors des deux rainures situées près du récipient d'eau, le plateau quadrillé où sont taillés les glaçons. Déposer le plateau quadrillé sur la porte du bac à glaçons.

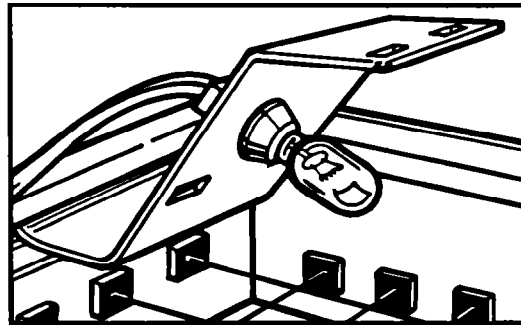


UTILISATION DE LA MACHINE À GLAÇONS

3. Appuyer sur le devant du protège-ampoule tout en tirant vers le bas afin de retirer l'ampoule de son support.



4. Enlever l'ampoule et la remplacer par une ampoule de 12 watts à culot en forme de coin.
5. Remettre en place le protège-ampoule, le plateau quadrillé et les deux vis à ailettes.
6. Rétablir le courant.



Nettoyage de la machine à glaçons

Vérifier et nettoyer périodiquement la machine à glaçons afin qu'elle continue à bien fonctionner et pour prévenir toute panne prématurée de ses composants.

Le dispositif de fabrication des glaçons et le condenseur à refroidissement par air doivent être nettoyés régulièrement.

Les minéraux expulsés durant le cycle de congélation de l'eau finiront par former un dépôt dur et tartreux dans le dispositif d'eau, ce qui ralentira l'évacuation de la glace du plateau de congélation.

Nettoyer périodiquement les dispositifs d'eau et de fabrication des glaçons pour

éliminer les dépôts tartreux de minéraux. La fréquence des nettoyages dépend de la dureté de l'eau. Si l'eau est dure (de 4 à 5 grains par litre [de 15 à 20 grains par gallon]), il faudra peut-être nettoyer l'appareil jusqu'à tous les six mois.

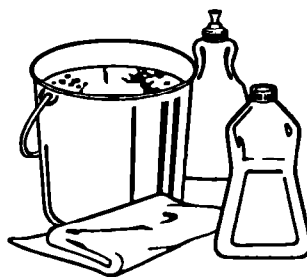
Un condenseur sale ou obstrué :

- Empêche l'air de circuler normalement.
- Réduit le taux de production de glaçons.
- Donne lieu à des températures de fonctionnement au-dessus de la normale, pouvant entraîner des pannes des composants.

Nettoyage des surfaces extérieures

Laver les surfaces extérieures en émail et les joints en utilisant de l'eau tiède et du savon ou du détergent doux. Rincer et essuyer. L'emploi régulier d'un bon produit de nettoyage et d'une bonne cire pour appareils ménagers aidera à protéger le fini de la machine à glaçons.

Ne pas utiliser de produits de nettoyage abrasifs sur les surfaces émaillées, car ils pourraient égratigner le fini.



NETTOYAGE DE LA MACHINE À GLAÇONS

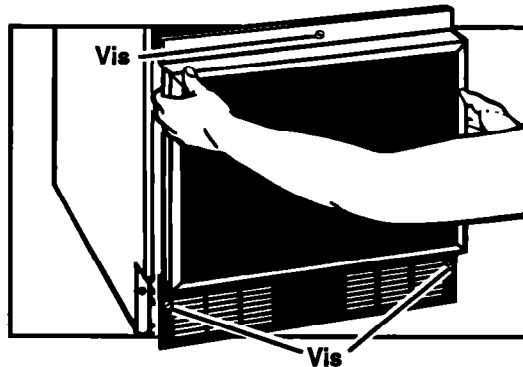
Nettoyage du condenseur

⚠ AVERTISSEMENT

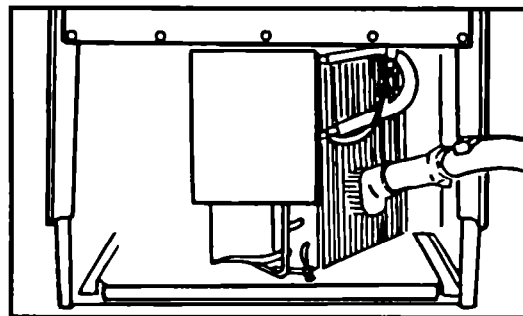
Risque de blessures et de dommages pour le produit

- S'assurer que la machine à glaçons est réglée à la position "OFF" et qu'elle est débranchée. L'appareil pourrait se mettre subitement en marche s'il n'est pas débranché. La rotation du ventilateur du condenseur, les ailettes coupantes du condenseur et la chaleur des tuyaux risqueraient de causer des blessures.
- Les ailettes du condenseur se plient facilement. Prendre garde de ne pas tordre les ailettes du condenseur avec l'aspirateur.

1. Interrompre l'alimentation en électricité de la machine à glaçons et tourner le bouton de commande du cycle à "OFF".
2. Dévisser les deux vis de la grille et la vis centrale du support du panneau avant. (Ouvrir légèrement la porte du condenseur pour mieux accéder à la vis.)
3. Tirer vers vous et vers le bas pour enlever le panneau d'accès inférieur.



4. À l'aide d'une brosse fixée à une rallonge d'aspirateur, enlever la saleté et la charpie logées dans les ailettes du condenseur et dans l'élément moteur.
5. Remettre en place le panneau de la porte d'accès inférieure et les vis. Le dessus du panneau de la porte d'accès doit être fixé sous deux pattes en métal avant de replacer les vis.
6. Brancher l'appareil et tourner le bouton de commande du cycle à "ON".



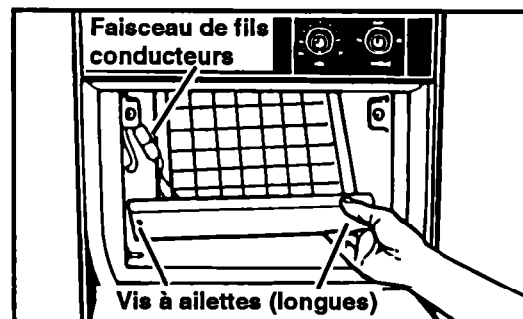
Nettoyage du dispositif de la machine à glaçons

⚠ AVERTISSEMENT

Risque de blessures

La plupart des produits de nettoyage pour machines à glaçons sont des acides citriques ou phosphoriques qui, même dilués, peuvent causer des irritations. Si un tel produit entre en contact avec les yeux, bien rincer les yeux à l'eau claire et appeler immédiatement un médecin. En cas de contact avec la peau, bien rincer la région affectée avec de l'eau. En cas d'absorption du produit, faire boire beaucoup d'eau et appeler immédiatement un médecin. Ne pas provoquer de vomissement. **GARDER HORS DE LA PORTÉE DES ENFANTS.**

1. Tourner le bouton de commande du cycle à "OFF".
2. Enlever les deux vis à ailettes. Faire glisser vers l'avant, et hors des rainures situées près du récipient d'eau, le plateau quadrillé où sont taillés les glaçons.
3. Débrancher le faisceau de fils conducteurs.

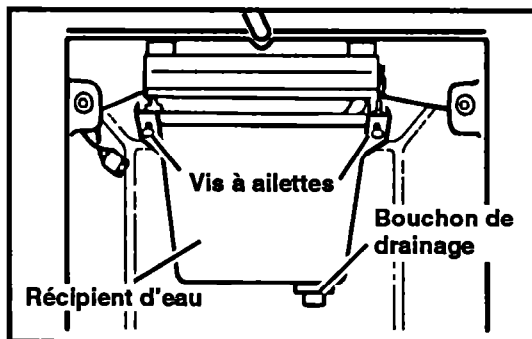


suite à la page suivante

NETTOYAGE DE LA MACHINE À GLAÇONS

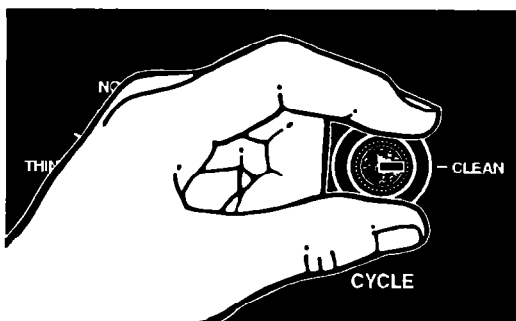
MISE EN GARDE : S'il y a de la glace sur le plateau quadrillé, la faire fondre en passant le plateau sous l'eau chaude. Toute tentative d'enlever la glace par tout autre moyen que ce soit risquerait d'étirer ou d'endommager les fils formant le quadrillage.

4. Enlever la glace qui se trouve dans le bac à glaçons et sur le plateau de congélation.
5. Vider le récipient d'eau en retirant le bouchon de drainage. Replacer ensuite le bouchon.



6. Verser deux litres d'eau chaude dans la cuve à eau et mettre le bouton de commande de cycle sur <<CLEAN>> (nettoyage), de façon à réchauffer l'installation et à donner plus d'efficacité à la solution de nettoyage. Laisser circuler l'eau pendant 5 minutes. Mettre le bouton de commande de cycle sur <<OFF>> (arrêt) et vidanger.

Préparer la solution de nettoyage en faisant soigneusement fondre 170 grammes (6 onces) d'acide citrique ou d'acide phosphorique en poudre dans 2 litres d'eau chaude. Si l'on peut se procurer un produit liquide spécial pour le nettoyage des machines à glace, se conformer aux instructions figurant sur l'emballage.



NETTOYAGE DE LA MACHINE À GLAÇONS

- 7. Verser la solution de nettoyage dans la cuve à eau et mettre le bouton de commande sur <<CLEAN>> (nettoyage). Si la solution fait de la mousse pendant qu'on la verse, la laisser se résorber avant de verser le reste du liquide. Laisser circuler la solution aussi longtemps que le tartre n'est pas dissous. Si la solution n'atteint pas le tartre des parois latérales de la plaque évaporatrice, mettre ses gants de caoutchouc, l'enlever avec une éponge ou un tampon en acier inoxydable, trempé dans la solution de nettoyage. Le tartre se dissout habituellement en 15 à 30 minutes. Si le tartre est très abondant et qu'il ne se dissout pas au bout de 30 minutes, recommencer le nettoyage en préparant une nouvelle solution.**
- 8. Mettre le bouton de commande sur <<OFF>> (arrête) et vidanger.**
- 9. Après nettoyage, rincer deux fois à l'eau claire pendant 5 minutes chaque fois et vidanger.**
- 10. Cette opération termine le nettoyage et la désinfection sur place des conduites d'eau et de la plaque évaporatrice. Les autres éléments intérieurs doivent également être nettoyés et désinfectés.**

Nettoyage des éléments intérieurs

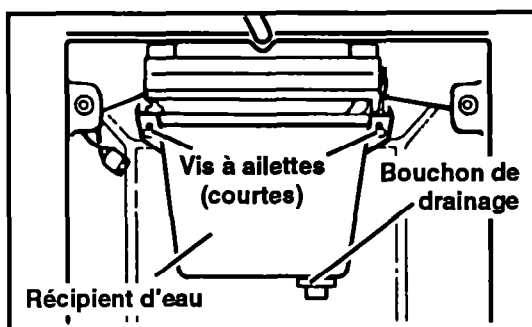
⚠ AVERTISSEMENT

Risque de choc électrique et de dommages pour le produit

- Ne pas faire fonctionner la machine à glaçons lorsque le panneau de la porte d'accès inférieure ou le tableau de commande est enlevé. Il pourrait y avoir un risque de choc électrique ou de blessures.
- Ne pas laver les pièces en plastique dans le lave-vaisselle. Elles ne résistent pas à des températures dépassant 63 °C (145 °F).

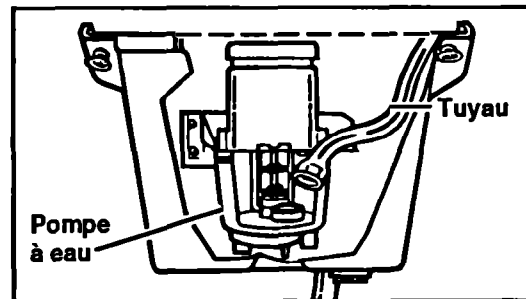
Le non-respect de ces précautions peut être à l'origine d'un choc électrique ou de dommages pour le produit.

1. Tourner le bouton de commande du cycle à "OFF" et débrancher la machine. Ouvrir la porte du bac à glaçons et enlever les glaçons qui se trouvent dans le bac.
2. Enlever le panneau de retenue en le cintrant et en le délogeant des tiges qui le maintiennent en place.
3. Pour enlever le plateau quadrillé, dévisser les deux vis à ailettes, faire glisser le plateau quadrillé vers l'avant et débrancher le faisceau de fils conducteurs.
4. Enlever le récipient d'eau en dévissant et en enlevant les deux vis à ailettes et les rondelles.

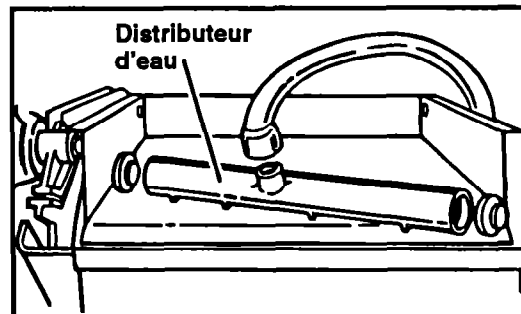


NETTOYAGE DE LA MACHINE À GLAÇONS

5. Détacher le tuyau de la pompe à eau.



6. Sortir le distributeur d'eau du plateau de congélation qui est maintenu en place par des embouts en caoutchouc. Enlever le tuyau d'arrivée d'eau et nettoyer tous les trous du distributeur d'eau et le petit orifice situé sur le côté de l'arrivée d'eau du distributeur. Réinstaller le distributeur en s'assurant que les embouts sont logés dans les goujons d'arrêt de la bride de l'évaporateur et que les trous du distributeur d'eau sont orientés vers le bas.



7. Laver à l'eau tiède et au savon doux ou avec du détergent, les **éléments intérieurs** (panneau de retenue des glaçons, plateau quadrillé, récipient d'eau, tuyau d'arrivée d'eau et distributeur d'eau) et le bac à glaçons, le joint de la porte et la pelle à glaçons. Rincer à l'eau claire. Ces éléments devraient aussi être nettoyés dans une solution qui s'obtient en ajoutant 30 mL (1 oz) d'eau de Javel à 3,8 L (1 gallon) d'eau chaude. Rincer de nouveau à fond à l'eau claire.

8. Remettre les éléments intérieurs en place : le distributeur d'eau, le tuyau d'arrivée d'eau et le récipient d'eau.

9. Vérifier les points suivants :

- Le tuyau de la valve d'eau est dans le récipient d'eau.
- Le bouchon de drainage en caoutchouc est dans le récipient d'eau.
- Le distributeur d'eau est bien en place et ses trous sont orientés vers le bas.
- Le tuyau est raccordé de nouveau à la pompe et au distributeur d'eau.
- Le tuyau du récipient d'eau est inséré dans l'orifice de drainage du bac à glaçons.

suite à la page suivante

NETTOYAGE DE LA MACHINE À GLAÇONS

10. Brancher de nouveau le faisceau de fils conducteurs, remettre en place le plateau quadrillé et serrer les vis à ailettes. Replacer le panneau de retenue des glaçons.
11. Tourner le bouton de commande du cycle à "ON".

Filtration et traitement de l'eau

Dans la plupart des régions, il s'avère avantageux de filtrer ou de traiter l'eau qui alimente la machine à glaçons. Cela accroît la fiabilité de la machine, réduit l'entretien du dispositif d'eau et permet d'obtenir les meilleurs glaçons qui soient.

L'installation d'un câble d'alimentation en polyphosphates réduit généralement l'importance des dépôts tartreux dans la machine qui, par conséquent, nécessitera moins de nettoyages.

Les services municipaux des eaux traitent généralement l'eau au chlore pour conserver une réserve suffisante d'eau potable. Des filtres de carbone activé retiendront suffisamment de résidus chloriques contenus dans l'eau pour réduire les taches sur les pièces en acier inoxydable de la machine à glaçons.

Pour obtenir plus de renseignements concernant la filtration et le traitement de l'eau, communiquer avec le dépositaire chez qui la machine à glaçons a été achetée.

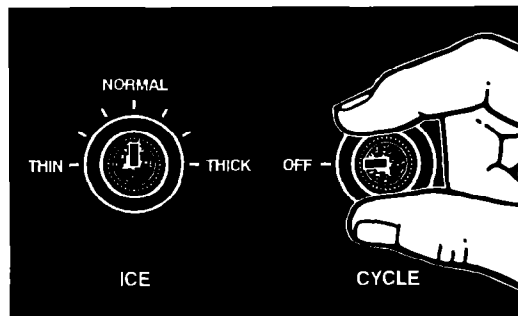
Précautions à prendre pour les vacances ou le déménagement

⚠ AVERTISSEMENT

Risque de choc électrique

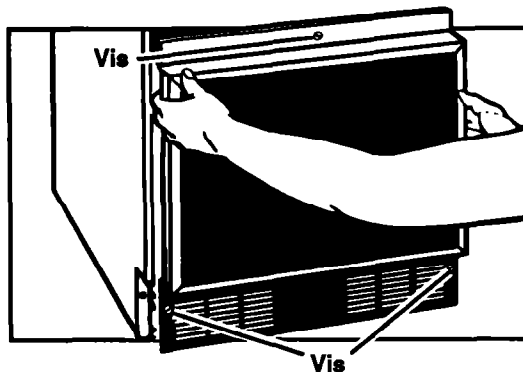
S'assurer que la machine à glaçons est débranchée de l'alimentation principale avant d'enlever le panneau de la porte d'accès inférieure.

Le non-respect de cette instruction peut être à l'origine d'un choc électrique ou de blessures.



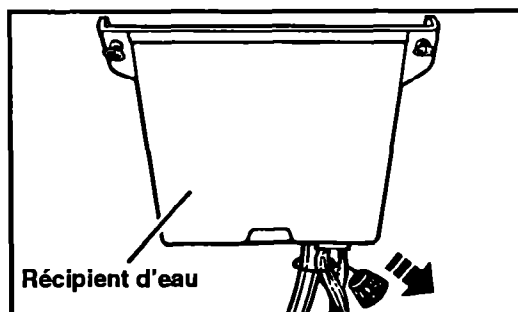
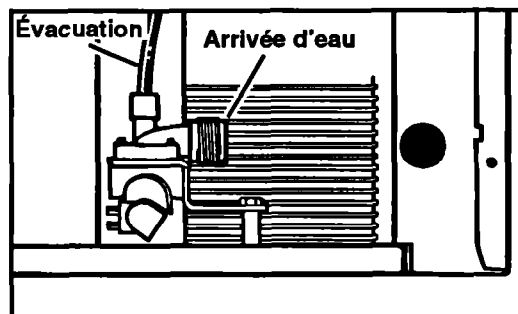
Pour arrêter la machine à glaçons:

1. Interrompre l'alimentation en électricité de la machine à glaçons et tourner le bouton de commande du cycle à "OFF".
2. Enlever les glaçons qui se trouvent dans le bac à glaçons.
3. Couper l'alimentation en eau.
4. Dévisser les deux vis de la grille et la vis centrale du support du panneau avant. (Ouvrir légèrement la porte du condenseur pour mieux accéder à la vis.) Tirer vers vous et vers le bas pour enlever le panneau d'accès inférieur.
5. Déconnecter les tuyaux d'arrivée d'eau et d'évacuation reliés à la valve d'eau. Laisser s'écouler l'eau des tuyaux; raccorder de nouveau les tuyaux à la valve.
6. Remettre en place le panneau de la porte d'accès inférieur et les vis.



7. Enlever l'eau des canalisations d'évacuation et vider le récipient d'eau.
8. Nettoyer la machine à glaçons et le bac à glaçons avant de les réutiliser.

REMARQUE : Tous les composants de la machine à glaçons ont été lubrifiés de façon permanente à l'usine. Aucun lubrifiant ne devrait normalement être ajouté pendant la durée d'utilisation de l'appareil.



Dépannage

Les problèmes de rendement sont souvent dus à de petits détails que vous êtes en mesure de détecter et de régler vous-même sans outils d'aucune sorte. Veuillez vérifier les points suivants pour voir les problèmes que vous pouvez résoudre vous-même. Cela pourrait vous économiser le coût d'un appel de service.

PROBLÈME	CAUSE POSSIBLE
L'appareil ne fonctionne pas	<ul style="list-style-type: none"> • Le bouton de commande du cycle doit être réglé à "ON" (marche). • Vérifier si le cordon d'alimentation électrique est branché. • Vérifier si un fusible a sauté ou si le disjoncteur s'est déclenché. • La température de la pièce doit être au-dessus de 13 °C (55 °F). Sinon, le thermostat du bac pourrait être sensible aux basses températures et pourrait cesser de fonctionner même si le bac à glaçons n'est pas plein. De plus, une fois arrêtée, la machine risque de ne plus repartir.
La machine fonctionne mais ne produit pas de glace	<ul style="list-style-type: none"> • Le bouton de commande du cycle doit être réglé à "ON". • Vérifier si le conduit d'alimentation en eau est ouvert. • Si la machine à glaçons est utilisée à plus de 600 m (2000 pi) au-dessus du niveau de la mer, la graduation des thermostats qui contrôlent le bac à glaçons et l'épaisseur de la glace devra être ajustée en conséquence. Consulter le guide d'installation.
La machine fonctionne mais produit très peu de glace	<ul style="list-style-type: none"> • La température de la pièce est peut-être extrêmement élevée, c'est-à-dire au-dessus de 32 °C (90 °F). Si c'est le cas, il est normal que la production de glace soit peu élevée. • De la saleté ou de la charpie empêche peut-être l'air de circuler entre les ailettes du condenseur. Le condenseur a besoin d'être nettoyé. • Vérifier s'il s'est formé des dépôts dans le dispositif d'eau et de congélation de l'appareil. Nettoyer si nécessaire.
Le plateau quadrillé ne taille pas les plaques de glace en glaçons	<ul style="list-style-type: none"> • Vérifier si le faisceau des fils conducteurs du plateau quadrillé est branché solidement.
Les glaçons ont un goût	<ul style="list-style-type: none"> • Le taux de minéraux contenu dans l'eau est peut-être plus élevé qu'à l'ordinaire. L'eau devrait peut-être être filtrée ou traitée. • Ne pas conserver d'aliments dans le bac à glaçons. • Il reste peut-être du matériel d'emballage dans le bac à glaçons.

Appel d'aide ou de service

Avant de contacter le service de dépannage, veuillez voir "Dépannage" à la page 20. Cela pourrait vous économiser le coût d'un appel de service.

Pour appel d'aide ou de service aux É.-U.:

1. Si vous avez besoin d'aide* . . .



Téléphonez au Centre Whirlpool d'assistance aux consommateurs. Composez sans frais de n'importe où aux É.-U. le numéro :
1-800-253-1301

et consultez nos conseillers. Le conseiller peut vous enseigner comment obtenir un fonctionnement satisfaisant de votre appareil ménager, ou si le service est nécessaire, il peut recommander une compagnie de service compétente dans votre région.

Si vous le préférez, écrivez à:

Mr. William Clark
Consumer Assistance Representative
Whirlpool Corporation
2000 North M-63
Benton Harbor, MI 49022-2692

Veuillez inclure dans votre correspondance un numéro de téléphone pour vous joindre le jour.

2. Si vous avez besoin de service* . . .



Whirlpool possède un réseau de compagnies de service autorisé Whirlpool dans tout le pays. Les techniciens Whirlpool sont formés pour entretenir le produit selon les garanties et fournir le service après les garanties, partout aux É.-U. Pour localiser la compagnie de service autorisé Whirlpool dans votre région, téléphonez au Centre d'assistance aux consommateurs au numéro indiqué à l'étape 1 ci-dessus ou consultez les pages jaunes sous les rubriques :

•APPLIANCE-HOUSEHOLD-MAJOR, SERVICE & REPAIR
-See: Whirlpool Appliances or Authorized Whirlpool Service (Example: XYZ Service Co.)

•WASHING MACHINES & DRYERS, SERVICE & REPAIR
-See: Whirlpool Appliances or Authorized Whirlpool Service (Example: XYZ Service Co.)

3. Si vous avez besoin de pièces de remplacement FSP* . . .

FSP est une marque déposée de la Corporation Whirlpool pour les pièces de qualité. Recherchez ce symbole de qualité chaque fois que vous avez besoin d'une pièce de remplacement pour votre appareil ménager Whirlpool. Les pièces de remplacement FSP conviendront exactement et fonctionneront bien parce qu'elles sont fabriquées selon les mêmes spécifications précises utilisées pour fabriquer chaque nouvel appareil ménager Whirlpool.

Pour trouver la source des pièces de remplacement FSP dans votre région, référez à l'étape 2 ci-contre ou téléphonez au Centre Whirlpool d'assistance aux consommateurs à l'étape 1.

4. Si vous n'êtes pas satisfait de la solution au problème . . .

- Communiquez avec Major Appliance Consumer Action Panel (MACAP). MACAP est un groupe d'experts indépendants de consommateurs qui présentent les opinions des consommateurs aux niveaux les plus élevés de l'industrie des gros appareils ménagers.
- Contactez MACAP seulement lorsque le marchand, le technicien autorisé et Whirlpool n'ont pas réussi à résoudre votre problème.
Major Appliance Consumer Action Panel
20 North Wacker Drive
Chicago, IL 60606
- MACAP en retour nous fera part de votre action.

* Lorsque vous demandez de l'aide ou un service :

Veuillez fournir une description détaillée du problème, les numéros de série et de modèle au complet de votre appareil et la date d'achat. (Voir page 2). Ces renseignements nous aideront à répondre d'une façon appropriée à votre demande.

Pour appel d'aide ou de service au Canada :

1. Si la cause du problème n'a pas été mentionnée dans la section "Dépannage"...



Contactez le concessionnaire chez qui vous avez acheté votre appareil ménager ou votre succursale de service Inglis Limitée. Veuillez inclure un numéro de téléphone où l'on peut vous joindre pendant la journée.

2. Si vous avez besoin de service...



Contactez votre succursale de service Inglis Limitée ou un centre de service autorisé pour l'entretien de votre appareil ménager.

REMARQUE : Lorsque vous appelez le service de dépannage, veuillez inclure une description détaillée du problème, les numéros de modèle et de série, et la date d'achat. Ces renseignements sont nécessaires pour répondre rapidement à votre demande.

Inglis Limitée service d'appareils ménagers – Service aux consommateurs

Succursales de service direct :

COLOMBIE-BRITANNIQUE	Vancouver	Inglis Limitée Service d'appareils ménagers (604) 291-6426 3627 E. 4th Avenue
	Victoria	Inglis Limitée Service d'appareils ménagers (604) 291-6426 3117 Steele Street
ALBERTA	Calgary	Inglis Limitée Service d'appareils ménagers (403) 253-9267 #15, 6025 12th Street S.E.
	Edmonton	Inglis Limitée Service d'appareils ménagers (403) 453-3900 16236 116th Avenue
ONTARIO	Toronto (Mississauga)	Inglis Limitée Service d'appareils ménagers (905) 624-2800 5945 Ambler Drive
	Toronto (Markham)	Inglis Limitée Service d'appareils ménagers (905) 475-9511 Unit #1, 110 Torbay Road
	Ottawa	Inglis Limitée Service d'appareils ménagers (613) 225-0510 28 Capital Drive
MANITOBA	Winnipeg	Inglis Limitée Service d'appareils ménagers (204) 694-5308 1683 Church Avenue
QUÉBEC	Montréal (Laval)	Inglis Limitée Service d'appareils ménagers (514) 382-8110 2750 Francis Hughes
	Brossard	Inglis Limitée Service d'appareils ménagers (514) 397-1840 9605 F, rue Ignace
	Québec	Inglis Limitée Service d'appareils ménagers (418) 871-5251 5275 boul. Wilfrid Hamel, Bureau 140
	Sherbrooke (Rock Forest)	Inglis Limitée Service d'appareils ménagers (819) 564-6565 3475, boul. Industriel
NOUVELLE-ÉCOSSE	Dartmouth	Inglis Limitée Service d'appareils ménagers (902) 468-6634 900 Windmill Road

Pour obtenir des services techniques en dehors des centres mentionnés, contactez votre marchand d'appareils ménagers.

Index

Cet index est dans l'ordre alphabétique. Cherchez les mots ou l'expression qui vous intéressent, puis regardez le numéro de la page.

<u>SUJET</u>	<u>PAGE</u>	<u>SUJET</u>	<u>PAGE</u>
AMPOULE D'ÉCLAIRAGE		NETTOYAGE	11
Remplacement	9	Condenseur	12
BESOINS D'ÉLECTRICITÉ	3	Pièces intérieures	16
CARACTÉRISTIQUES/PIÈCES	4	Système de glaçons	13
COMMANDES		PANNEAUX	
Réglage	6	Porte avant, changement	7
DÉPANNAGE	20	Porte d'accès inférieure, changement	8
EAU		PIÈCES/CARACTÉRISTIQUES	4
Filtration et traitement	18	RESPONSABILITÉS	
ENTRETIEN		Propriétaire	3
Déménagement	19	SÉCURITÉ	3
Vacances	19	SERVICE	
GARANTIE	25	Demandes	21
MACHINE À GLAÇONS		Pièces	21
Utilisation	5		

Garantie

Garantie de la machine à glaçons WHIRLPOOL* (É.-U.)

DURÉE DE LA GARANTIE	NOUS PAIERONS
GARANTIE COMPLÈTE D'UN AN À compter de la date d'achat	Les pièces FSP* de rechange et la main-d'oeuvre pour la correction des vices de matériaux ou de fabrication. Les réparations sous garantie doivent être effectuées par un établissement de service autorisé sinon la garantie devient nulle et non avenue.
GARANTIE LIMITÉE D'UN AN À compter de la date d'achat-pour l'utilisation commerciale	Les pièces FSP de rechange pour n'importe quelle pièce comportant des vices de matériaux ou de fabrication.
GARANTIE COMPLÈTE DE CINQ ANS De la deuxième à la cinquième année à compter de la date d'achat	La pièce FSP de rechange parts and repair labour du compresseur s'il comporte des vices de matériaux ou de fabrication.
NOUS NE PAIERONS PAS	
<p>A. Les visites du dépanneur pour :</p> <ol style="list-style-type: none">1. Corriger l'installation de la machine à glaçons.2. Donner des instructions concernant l'utilisation de la machine à glaçons.3. Remplacer les fusibles ou rectifier l'installation électrique ou de la plomberie de la maison. <p>B. La prise en charge et la livraison de l'appareil chez l'utilisateur. Ce produit est conçu pour être réparé sur place.</p> <p>C. Les dommages à la machine à glaçons imputables à : accident, usage impropre, incendie, inondation, désastre naturel ou utilisation du produit non approuvée par nous.</p> <p>D. Tous frais de main-d'oeuvre pendant la garantie limitée.</p> <p>E. Réparations de pièces ou systèmes imputables à des modifications non autorisées effectuées sur l'appareil.</p>	

6/94

NOUS NE SOMMES PAS RESPONSABLES POUR DES DOMMAGES DIRECTS OU INDIRECTS. Certains États ne permettent pas l'exclusion ou la limitation de dommages directs ou indirects de sorte que cette limitation ou exclusion peut ne pas s'appliquer dans votre cas. Cette garantie vous donne des droits légaux spécifiques et vous pouvez aussi avoir d'autres droits qui peuvent varier d'un État à un autre ou d'une province à une autre. En dehors des États-Unis ou du Canada, une garantie différente peut s'appliquer. Pour les détails, veuillez contacter votre distributeur autorisé Whirlpool ou bureau militaire.

Si vous avez besoin de service, voyez d'abord « Appel d'aide ou de service » de ce manuel. Après avoir vérifié « Appel d'aide ou de service », de l'aide additionnelle peut être trouvée en composant notre numéro de téléphone du Centre d'assistance aux consommateurs, 1-800-253-1301, de partout aux É.-U., ou voyez les services aux consommateurs d'Inglis Limitée, à la page 22 pour une succursale de service la plus proche de chez vous.

Garantie (Canada)

Cher client,

Une bonne performance. Voilà l'objet de notre garantie. Et voici comment est protégée la performance que vous attendez de votre machine à glaçons.

GARANTIE DE VOTRE MACHINE À GLAÇONS.

Au cours de la première année suivant l'achat, toutes les pièces de l'appareil présentant un vice de matériau ou de fabrication seront réparées ou remplacées gratuitement (pièces et main-d'oeuvre).

Au cours des cinq premières années suivant l'achat, toutes les pièces du système étanche de réfrigération comprenant compresseur, condenseur, évaporateur et tubulure, qui présenteront un vice de matériau ou de fabrication, seront réparées ou remplacées gratuitement.

Au cours de la sixième jusqu'à la dixième année inclusivement suivant l'achat, si le compresseur fait défaut par suite de matériaux ou de main-d'oeuvre défectueux, le compresseur sera réparé ou remplacé et vous ne paierez que les frais de main-d'oeuvre.

Des frais de voyage ou de transport peuvent être facturés dans le cas où le client habite dans un endroit éloigné.

Les pièces réparées ou remplacées conformément à la présente garantie ne seront garanties que pour le reste de la période de garantie initiale.

Cette protection couvre l'utilisation domestique de l'appareil. La même protection s'applique à tout propriétaire ultérieur au cours de la garantie applicable, d'après la date d'achat par le propriétaire initial.

Cette garantie ne couvre pas les dommages encourus à la suite d'accident, mauvaise utilisation, installation inadéquate, incendie, inondation ou désastres naturels.

La présente constitue la seule garantie du fabricant couvrant cet appareil.

Les dispositions de cette garantie constituent une addition et non une modification ou une déduction des garanties légales et autres droits et recours faisant partie de toute loi applicable.

Parlons maintenant de l'entretien. Si votre appareil ne fonctionne pas bien, consulter "Dépannage" (page 20) pour déterminer s'il est possible de résoudre le problème sans l'assistance d'un technicien. Si tel n'est pas le cas, veuillez prendre contact immédiatement avec le détaillant chez qui l'appareil a été acheté ou avec l'un de nos Centres de service appartenant à la compagnie ou avec des centres de dépôts de la compagnie situés dans tout le Canada.

Veuillez conserver votre reçu d'achat avec le Guide d'utilisation et d'entretien. Il est bon de pouvoir compter sur cette protection, même si vous n'avez jamais besoin de vous en servir.

Sincèrement,

**INGLIS LIMITÉE
CENTRE D'ADMINISTRATION
1901 MINNESOTA COURT
MISSISSAUGA, ONTARIO L5N 3A7**



Imprimé sur papier recyclé—
10% de rebuts après usage
50% de matières récupérées

© 1994 Whirlpool Corporation

* Marque déposée de Whirlpool Corporation, É.-U.

Imprimé aux États-Unis

Free Manuals Download Website

<http://myh66.com>

<http://usermanuals.us>

<http://www.somanuals.com>

<http://www.4manuals.cc>

<http://www.manual-lib.com>

<http://www.404manual.com>

<http://www.luxmanual.com>

<http://aubethermostatmanual.com>

Golf course search by state

<http://golfingnear.com>

Email search by domain

<http://emailbydomain.com>

Auto manuals search

<http://auto.somanuals.com>

TV manuals search

<http://tv.somanuals.com>