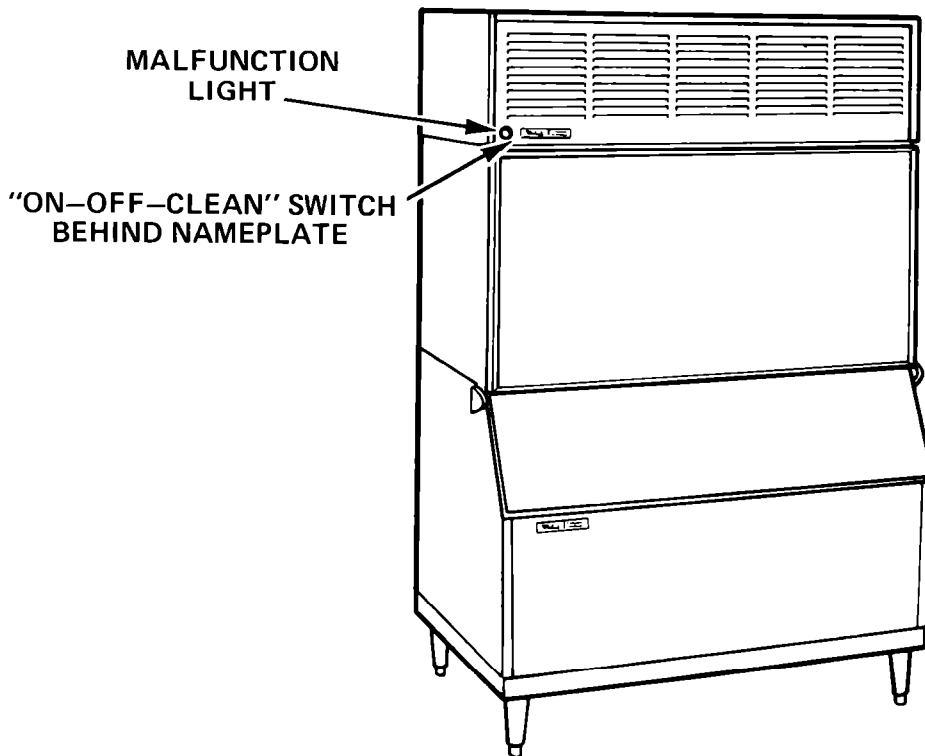


IMPORTANT INSTALLATION INSTRUCTIONS for



Electrical Supply
115-208/230 V. 3-Wire
60 Hz—1 Ph.

NOTICE:

**ICE STORAGE BIN SUPPLIED
SEPARATELY.**

It is essential that a suitable ice storage bin of durable construction be used with the ice cube maker and that the method of mounting be dimensionally compatible.

NOTICE: The interior walls of the ice maker should at least line up with the interior walls of the storage bin. There should not be any interior ledge projection of the bin walls. An overhang of the ice maker exterior walls is permissible.



COMMERCIAL ICE MAKER MODELS

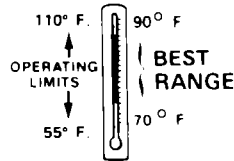
CHCH8AE CHCH8WE CHCH8AS CHCH8WS

Benton Harbor, Michigan. Automatic Washers, Clothes Dryers, Freezers, Refrigerator-Freezers, Ice Makers, Dishwashers, Built-in Ovens and Surface Units, Ranges, Microwave Ovens, Compactors, Room Air Conditioners, Dehumidifiers, Central Heating and Air Conditioning Systems.

GENERAL INFORMATION

LOCATE

THIS UNIT MUST BE INSTALLED IN AN AREA PROTECTED FROM THE ELEMENTS, SUCH AS WIND, RAIN, WATER SPRAY OR DRIP.



1. Unit must be at least 3" from back wall for air circulation. Adequate air circulation must be provided on top and other sides for performance.

2. If air cooled ice maker is installed in a closed room, 1000 C.F.M. of air must be exchanged through the room to maintain the room air at 10° F. warmer than the available ambient air temperature.

3. The head may be installed on either a Whirlpool bin or field-constructed bin. In either case, be sure the floor will support the combined weight of the ice maker and the stored ice cubes. (Approximately 300 lbs. per leg, if using a Whirlpool bin.)

4. Level bin before installing head. The ice maker head must be level to insure proper water flow over the freezing plates.

If height of ice maker exceeds 90" when installed on a Whirlpool bin and bin expander a leg kit model CECK3 must be used for additional stability.

TO INSTALLER

This machine is shipped from the factory with 15.6 Volts supplied to the cutter grids.

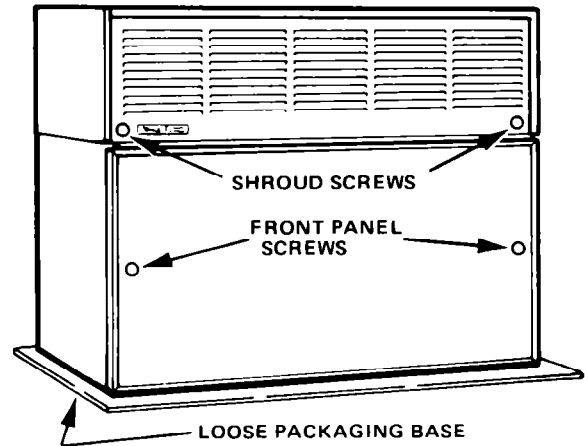
If in your area the water or low voltage conditions cause ice slabs to pile up on the cutter grids, a higher voltage tap on the transformer secondary may be wired to the cutter grids.

Check the information label at the transformer.

Water treatment may be advisable because poor quality water can cause marginal operation or malfunction and increase cleaning frequency and maintenance costs. Contact your local Whirlpool Commercial Ice Machine Dealer for recommendations.

UNPACK

This item is heavy. When handling, use proper equipment and care to protect it, yourself, stairs and floors.



1. Using 2" x 4" blocks or shipping foam corners carefully lay cabinet on its back to remove packaging base.

CAUTION: Packaging base is not attached to product.

2. Leaving shipping tape in place, use proper equipment to carefully position the ice maker head on bin. Always lift the head to move it into position to avoid damaging the gasket between the bin and head.

NOTE: On a field-supplied bin, a food grade silicone rubber sealant must be used to insure a tight seal between the head and bin.

3. Fasten the head to the bin with screws and brackets provided. (Screws are in cabinet sides and back. Brackets are in small parts bag.) Use two brackets on back and one on each end towards front corners.

4. Remove front panel by removing two screws and lifting panel off.

5. Examine carefully for concealed damage. If damaged, save the carton and have **carrier** examine product and make inspection report.

6. Remove all tape, cardboard, and packaging materials from inside ice maker head, i.e. expansion valve shipping pad and water float tape.

FOR THE ELECTRICIAN

CONFORM TO ALL APPLICABLE CODES

It is the personal responsibility and obligation of the customer to contact a qualified installer to assure that the electrical installation is adequate and is in conformance with the National Electrical Code and local codes and ordinances.

NOTE: A separate circuit must be used with 20 ampere time delay fuses.

REMOVE TOP SHROUD

1. Loosen screws on lower front corners of shroud.
2. Pull complete shroud forward and lift off.

CAUTION: Use proper care when handling this awkward part.

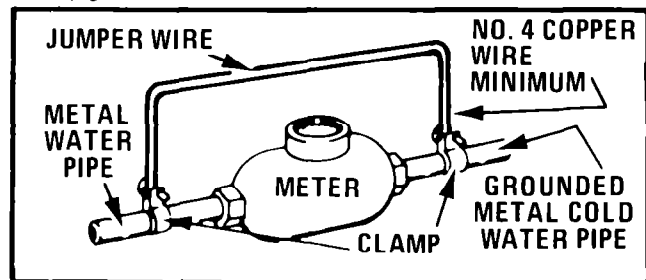
INSTALL GROUNDING WIRE COPPER WIRE ONLY

1. Permanently ground this ice maker in accordance with the National Electrical Code and local codes and ordinances. GROUND MUST BE CONTINUOUS.
2. Use a copper conductor of the appropriate size from the ice maker green grounding wire to a grounded connection in the service panel or a properly driven and electrically grounded rod.
3. Replace electrical junction box cover.
4. Replace shroud.

Alternate (Not Recommended)

1. If the recommended grounding method is impossible, permanently ground the appliance from the green grounding screw to a grounded cold water pipe* using a separate, green colored, insulated copper conductor of appropriate size. THIS, HOWEVER IS NOT RECOMMENDED.

NOTE: Do not ground to a gas supply pipe. Do not connect to electric power supply until appliance is permanently grounded.



CR-119

*Cold water pipe must have metal continuity to electrical ground and not be interrupted by plastic, rubber or other electrically insulating connectors (including water meter or pump) without adding a copper jumper wire at these connections.

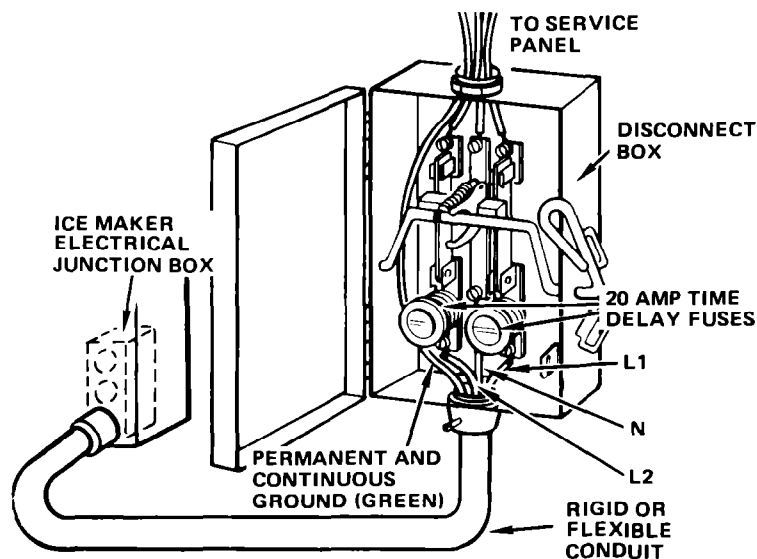
INSTALL ELECTRICAL WIRING COPPER WIRE ONLY

115-208/230 V, 3-Wire, 60 Hz, 1 Ph,
20 Amp Time Delay Fuses

Install wiring according to Local and National Electrical Codes into junction box provided at rear of cabinet. Replace electrical box cover and shroud.

PROVIDE A FUSED DISCONNECT BOX WITHIN SIGHT AND EASY REACH OF THE ICE MAKER.

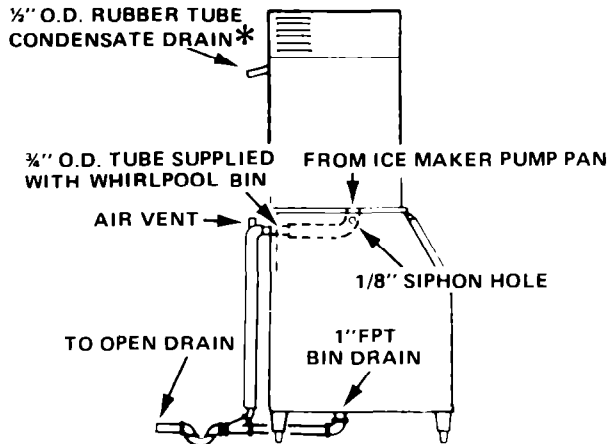
Be sure power supply is within + 10% - 5% of recommended voltage when machine is in operation.



FOR THE PLUMBER

CONFORM TO ALL APPLICABLE CODES

INSTALL DRAINS



NOTE: The $\frac{1}{8}$ " dia. siphon break hole must be in the vertical leg of white vinyl tubing.

The storage bin drains by gravity and, therefore, the drain line must maintain gradual slope to an open drain receptacle. Any rise in the drain line will cause an air lock which will prevent the water from draining from the storage bin. Installation of an air vent in the drain line will eliminate the possibility of an air lock forming.

CONDENSER DRAIN

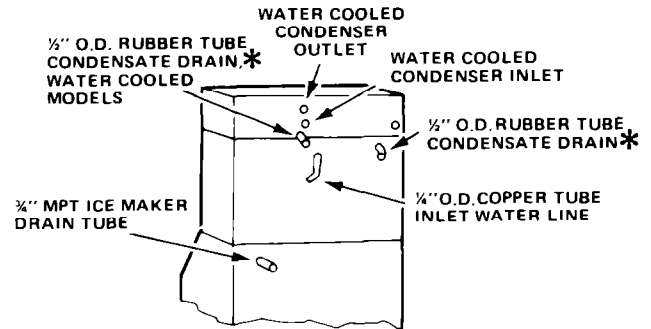
NEEDED ONLY ON WATER COOLED MODELS CHCH8WE, CHCH8WS

1. $\frac{1}{2}$ " galvanized pipe or copper tubing must be used to extend the condenser outlet to an open type drain.
2. Adequate flow rate must be maintained through the condenser. Runs over 40 ft. will require using larger pipe size.

***NOTE:** These drains may be connected to a disposal system if high humidity or condenser cleaning causes liquid in the sump areas.

INSTALL WATER SUPPLY

Water treatment may be advisable because poor quality water can cause marginal operation or malfunction and increase cleaning frequency and maintenance costs. Contact your local Whirlpool Commercial Ice Machine Dealer for recommendations.



ICE MAKING HEAD Cold Water Supply $\frac{1}{4}$ " o.d. soft copper tube with shut-off valve.

1. A shut-off valve should be provided in the water supply line at a convenient location near the ice maker. The supply line must be adequately sized to compensate for the length of the run.

Supply runs over 10 feet should be made with $\frac{3}{8}$ " o.d. copper tubing. Runs of 10 feet or less may be made with $\frac{1}{4}$ " o.d. copper tubing.

- NOTE:** Always flush out water lines before connecting to prevent foreign matter from entering the float valve.
2. Connect supply line to $\frac{1}{4}$ " o.d. copper water line at center rear of ice making head.

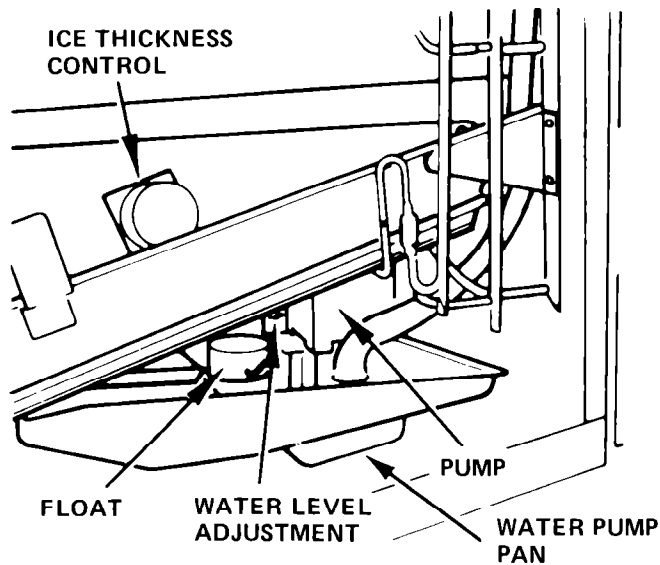
3. Water is controlled in pump reservoir by float valve. Make sure float valve opens and closes.
4. Water pressure must be 20 to 100 psi. If the pressure exceeds 100 psi, a regulator will have to be installed. The unit will operate in pressures below 20 psi; however, it may produce cloudy ice.

CONDENSER WATER INLET

NEEDED ONLY ON WATER COOLED MODELS CHCH8WE, CHCH8WS

1. Use a $\frac{3}{8}$ " I.P.S. independent cold water supply to the water cooled condenser inlet for proper condenser operation. Runs over 40 ft. will require using larger pipe size.

INSTALL LOOSE PARTS



The following loose parts packed inside the head will have to be field installed.

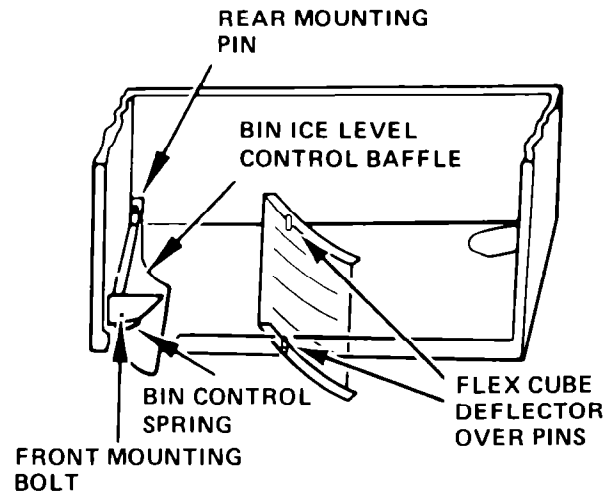
1. Water Pump Pan. Hold pan so the gradually sloped area is at left. Place the left lip edge between the lower evaporator and on the top of the entering edge of the lower cutter grid. Raise right end of water pan and place pan flange on angle bracket attached to right liner wall. Remove packing holding the float valve for shipping.

2. Drain Line for Water Pump Pan. The formed piece of white vinyl tubing slips over the pump pan drain tube and the drain tube going through the back wall of the storage bin or on a field constructed bin run to an open drain.

NOTE: The 1/8" dia. siphon break hole must be in the vertical leg of white vinyl tubing.

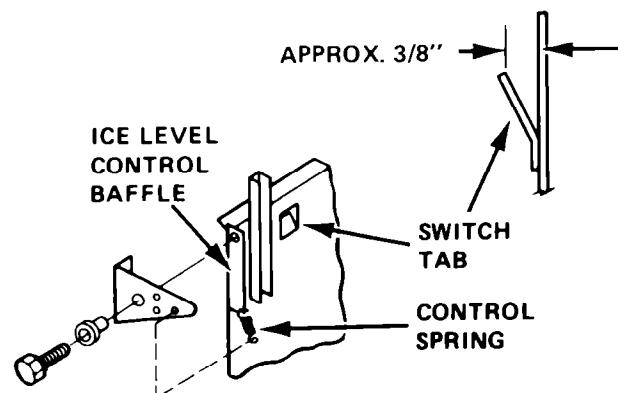
CAUTION: Insufficient or continuous siphoning may result from:

- Reducing the inside diameter of the drain line.
- Having less than 1/4" per foot fall.
- Traps or extreme bends in the lines.



3. Cube Deflector. Flex cube deflector baffle so that it hangs from pins. Top edge will rest against cutter grid frame.

4. Ice Level Control Baffle. The ice level baffle must be installed at the bottom left end of the ice maker head with the curve inward. Slip the hole in the baffle over the pin in the back liner wall. Raise up front edge and fasten through lower support rail by removing and reinserting screw provided. Install spring from baffle to right hand hole in lower support rail to hold baffle off switch plunger. Weight of ice against baffle will operate switch.



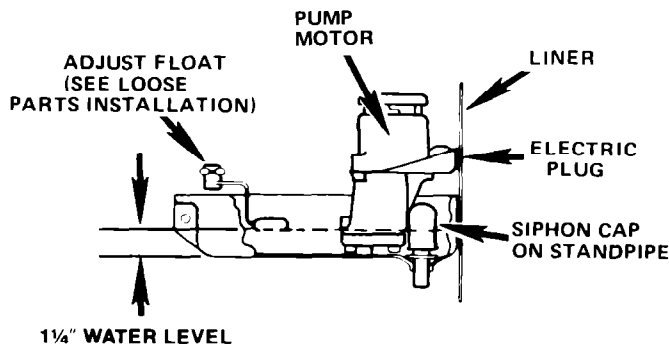
NOTE: Baffle must swing freely without binding.

5. Let Baffle Hang Vertically. Move baffle slowly to left and listen for bin switch "click" to determine that switch will turn machine "ON" and "OFF." (Adjust switch tab until switch operates.)

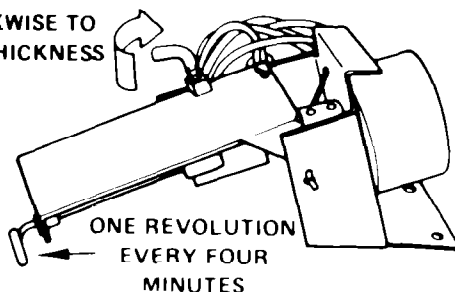
CHECK OPERATION

START-UP AND CHECK-OFF

1. Start the unit by opening water valve and turning the service switch to "ON."
2. **NOTE:** In "CLEAN" position, only the water pump operates.
3. Check water level in pump pan. When not running, water level should be $1\frac{1}{4}$ " deep.
4. Check for even water flow over freezing plate. Unit must be level for proper operation.
5. Check freezing plate to make sure it is getting cold.
6. Check cutter grids. Interior temperature limiter above top grid turns grids "OFF" above 130° F.
7. Check for desired cube thickness and adjust if necessary. Maximum capacity will be obtained with ice thickness at $\frac{1}{2}$ " to $\frac{5}{8}$ ". Do not adjust less than $\frac{3}{8}$ " thick as machine may malfunction.
8. Replace all panels.
9. Store ice scoop in a clean place.



TURN CLOCKWISE TO INCREASE THICKNESS



HOW IT WORKS

WITH SERVICE SWITCH IN "ON" POSITION

1. Contactor is energized
2. Compressor runs
3. Condenser fans run
4. Water pump runs
5. Thickness control motor runs
6. Cutter grid warm to touch

NOTE: Grids will be "OFF" until temperature limiter inside cabinet cools to 130° F.

WHEN DESIRED ICE SLAB THICKNESS IS REACHED, HARVEST CYCLE BEGINS WITH THE FOLLOWING RESULTS:

1. Thickness control arm raises, actuating switch and holding relay coil
2. Compressor keeps running
3. Hot gas solenoid valve is energized and opens
4. Condenser fans stop
Condenser water valve closes tightly (Water cooled)
5. Thickness control motor keeps running
6. Water pump stops
7. Water siphons from pump pan and refills
8. Cutter grid warm to touch

MACHINE THEN GOES BACK INTO FREEZE CYCLE WHILE SLAB IS BEING CUT INTO CUBES ON CUTTER GRID

WHEN STORAGE BIN GETS FULL, BIN BAFFLE OPENS SWITCH.

1. Slab completion relay keeps machine in freeze cycle until full ice thickness is reached.
2. Machine then shuts completely off leaving slabs to defrost by ambient temperature.
3. Cutter grids are "OFF."

HOW IT WORKS—MALFUNCTION LIGHT

1. When the high side pressure raises above the safe operating limits the machine will shut down because the blocked condenser thermostat or pressure control opened and the light will come on.

On air cooled models — this indicates that the condenser is blocked with dirt and must be cleaned or the condenser fan motor is not moving air through the finned condenser.

On water cooled models — this indicates the condenser has excessive scale inside, water pressure is low, or water has been shut off.

NOTE: After correcting the malfunction, manually reset the control.

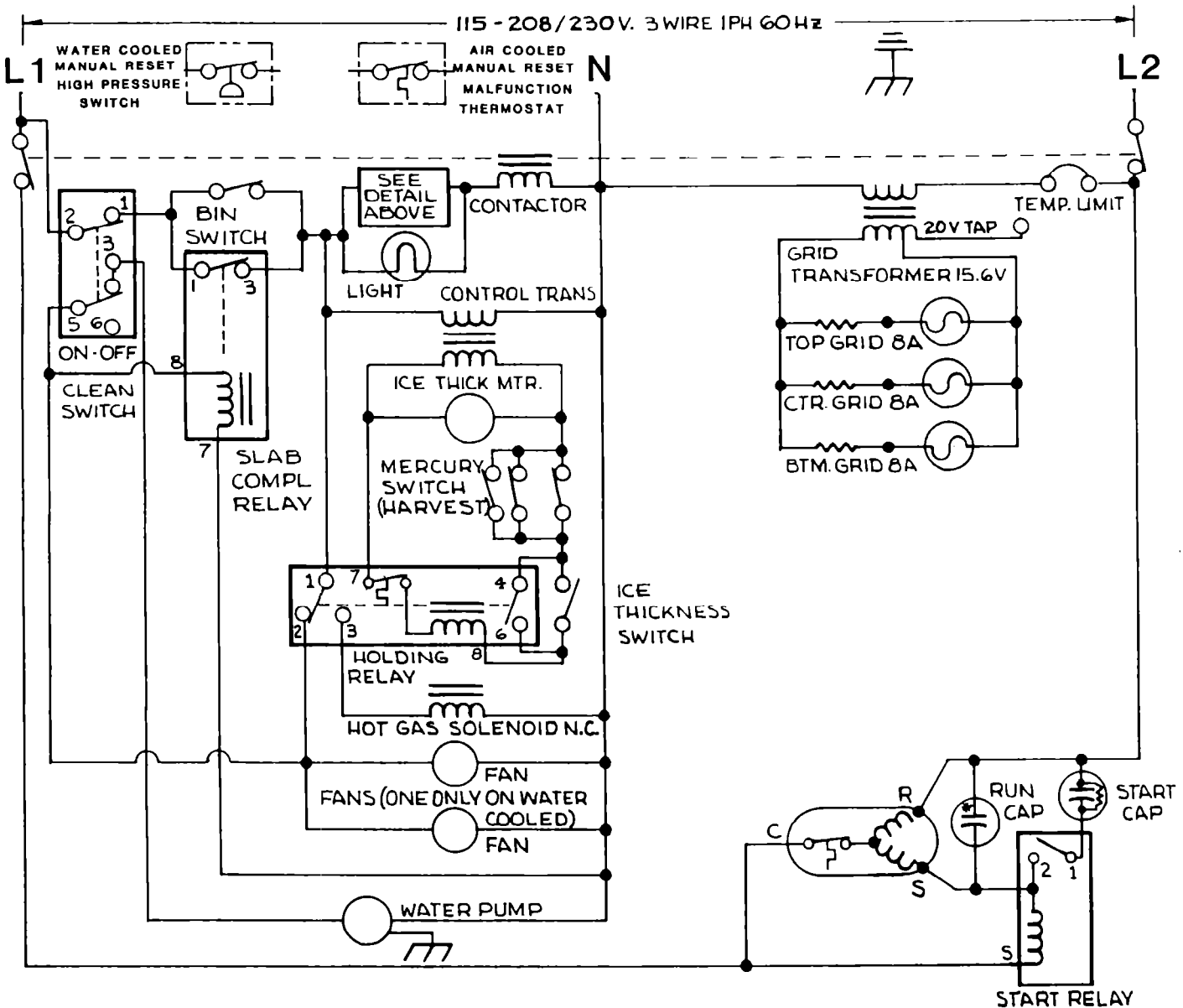
SCHEMATIC WIRING DIAGRAM

DANGER ELECTRICAL SHOCK HAZARD
DISCONNECT POWER BEFORE SERVICING

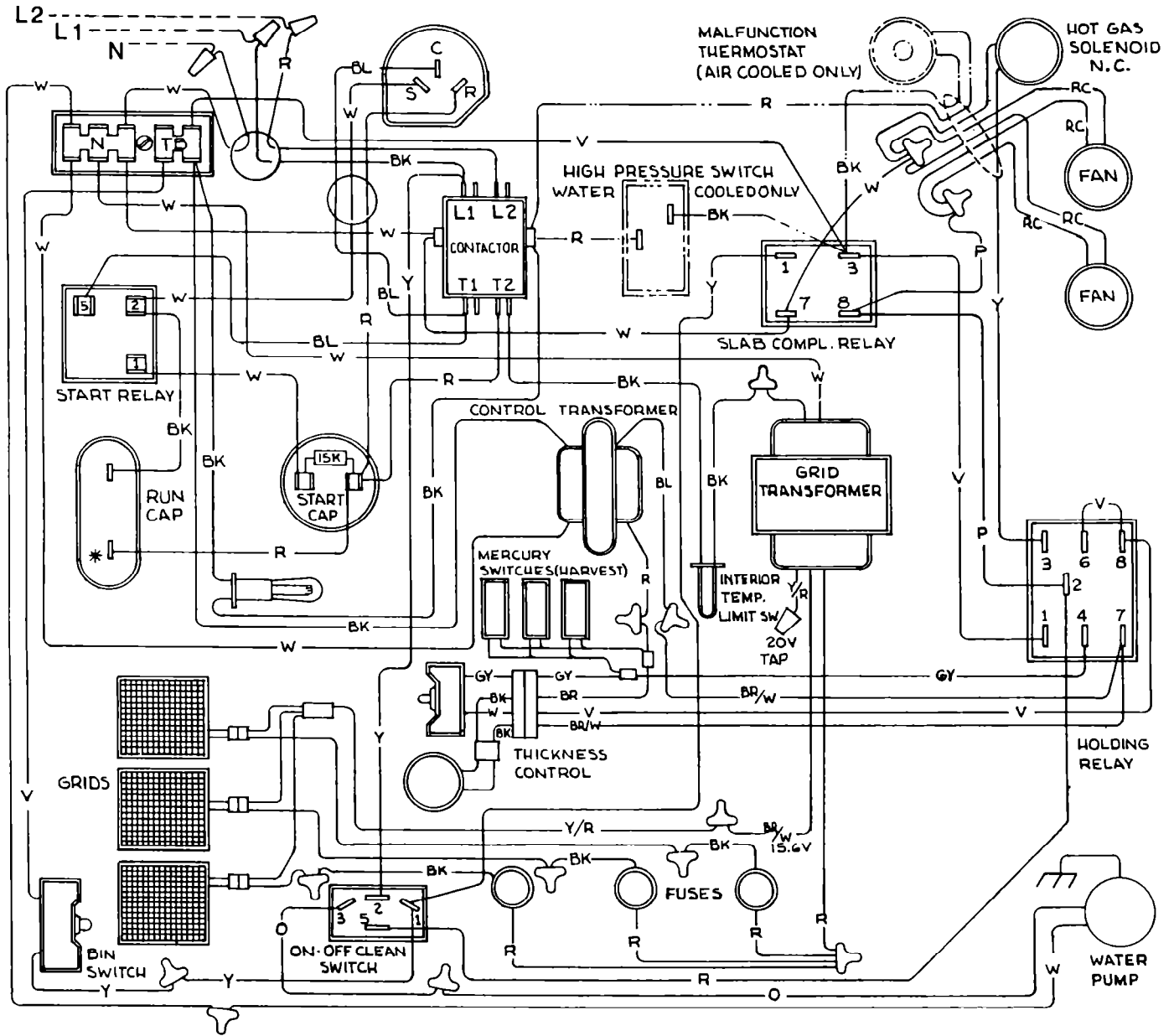
THIS UNIT MUST BE WIRED AND PERMANENTLY GROUNDED

in accordance with the National Electrical Code and applicable codes and ordinances

A separate circuit must be used with 20 ampere time delay fuses



CONNECTION DIAGRAM



LEGEND	
BK	BLACK
BR	BROWN
R	RED
O	ORANGE
Y	YELLOW
BL	BLUE
V	VIOLET
GY	GRAY
W	WHITE
BR/W	BROWN/WHITE
Y/R	YELLOW/RED
P	PINK
*	IDENTIFIED TERM.
RC	RIP CORD

Free Manuals Download Website

<http://myh66.com>

<http://usermanuals.us>

<http://www.somanuals.com>

<http://www.4manuals.cc>

<http://www.manual-lib.com>

<http://www.404manual.com>

<http://www.luxmanual.com>

<http://aubethermostatmanual.com>

Golf course search by state

<http://golfingnear.com>

Email search by domain

<http://emailbydomain.com>

Auto manuals search

<http://auto.somanuals.com>

TV manuals search

<http://tv.somanuals.com>