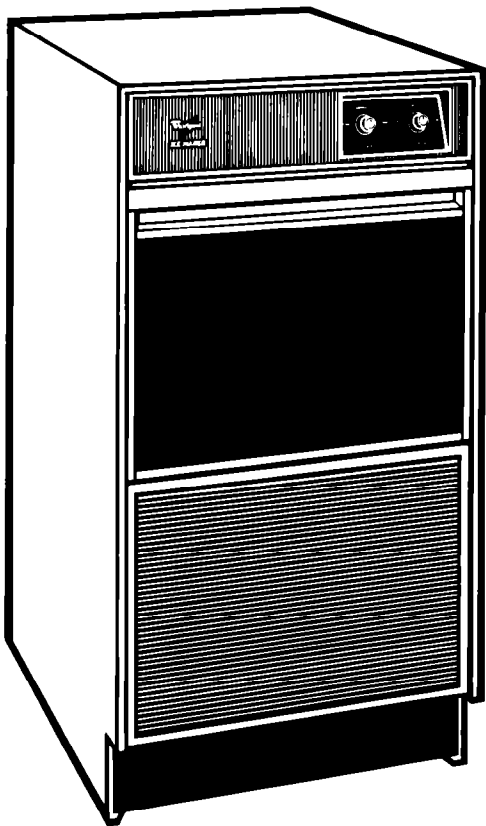


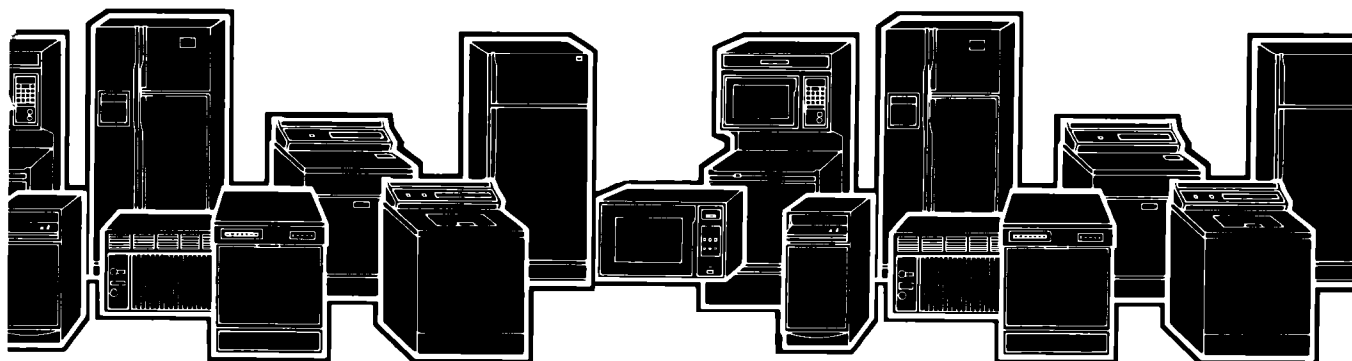
use & care guide



AUTOMATIC ICE MAKER

Model EC5100XP

s, Freezers, Refrigerator-Freezers, Ice Makers, Dishwashers, Built-In Ovens and Surface Units, Ranges, Microwave Ovens, Trash Compactors, Room Air Conditioners, Dehumidifier:

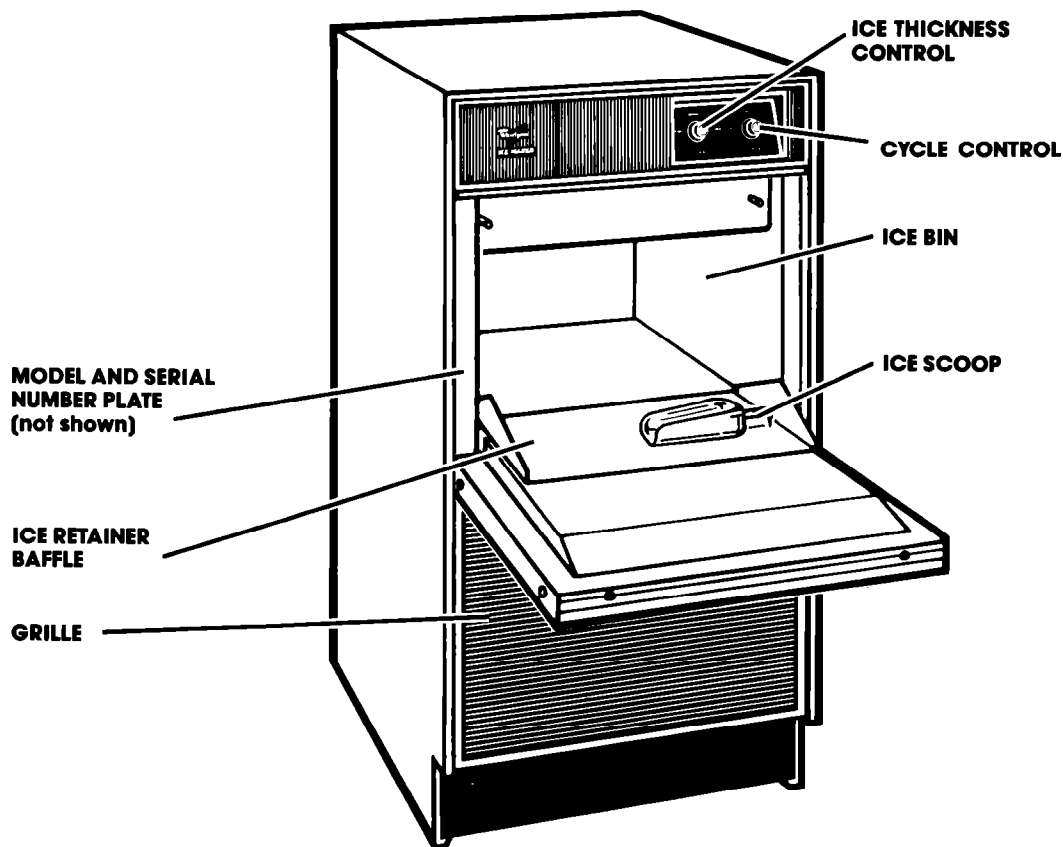


Please read this Use and Care Guide before you do anything else...

This booklet tells you how to use and clean your ice maker.

Treat your ice maker with care, use it only to do what ice makers are designed to do.

Parts and features



Copy your Model and Serial Numbers here...

When you need service, or call with a question, have this information ready:

1. **Complete** Model and Serial Numbers (from the plate located as shown).
2. Purchase date from sales slip.

Copy this information in these spaces. Keep this book, your warranty and sales slip together in a handy place. There is no warranty registration to return. Proof-of-purchase is all that is required for in-warranty service.

Model Number

Serial Number

Purchase Date

Service Company and Telephone Number

Contents

| | Page | | Page |
|-------------------------------------|------|--|------|
| BEFORE YOU PLUG IT IN | 3 | Cleaning the Ice Maker System | 7 |
| USING YOUR ICE MAKER | 4 | Cleaning the Interior Components .. | 8 |
| How the Ice Maker Works | 4 | Filtering and Treating Water | 9 |
| Setting the Controls | 4 | VACATION AND MOVING CARE | 9 |
| Changing the Bin Door Panel | 5 | IF YOU NEED SERVICE OR ASSISTANCE | 10 |
| CLEANING AND CARING FOR YOUR | | 1. Before Calling for Assistance | 10 |
| ICE MAKER | 6 | 2. If You Need Assistance | 11 |
| Cleaning Exterior Surfaces | 6 | 3. If You Need Service | 11 |
| Cleaning the Condenser | 6 | 4. If You Have a Problem | 11 |

©1985 Whirlpool Corporation

Before you plug it in

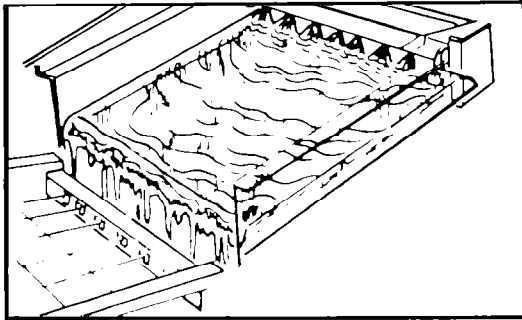
IMPORTANT

Before using your ice maker, you are personally responsible for making sure that it...

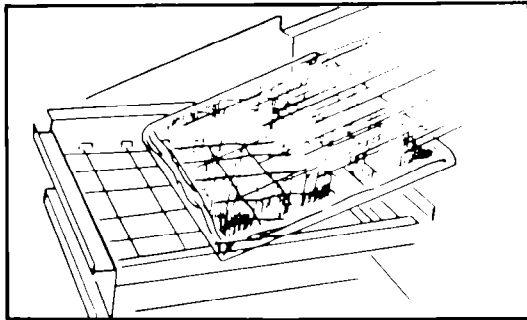
- has been installed where it is protected from the elements.
- is located so that the front is not blocked to restrict incoming or discharge air flow.
- is properly leveled.
- is located in a well ventilated area with temperatures above 55°F (13°C) and below 110°F (43°C). Best results are obtained at temperatures between 70°F (21°C) and 90°F (32°C).
- is properly connected to a water supply and drain.
- is properly connected to electricity. A 115 Volt, 60 Hz., 15 amp fused electrical supply is required. **NOTE:** Time delay fuse or circuit breaker is recommended.
- is properly electrically grounded.
- is not operated by anyone unable to use it properly.
- is used only for the job it was designed to perform.
- is properly maintained.

Using your ice maker

How the ice maker works...



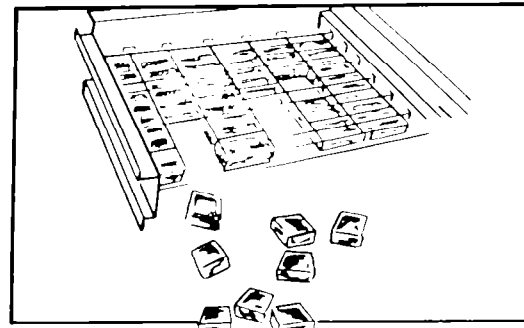
1. Water is constantly circulated over a freezing plate. As the water freezes into ice the minerals in the water are rejected. This produces a clear sheet of ice with a low mineral content.



2. When the desired thickness is reached, the ice sheet is released and slides on to a cutter grid. The grid divides the sheet into individual cubes.

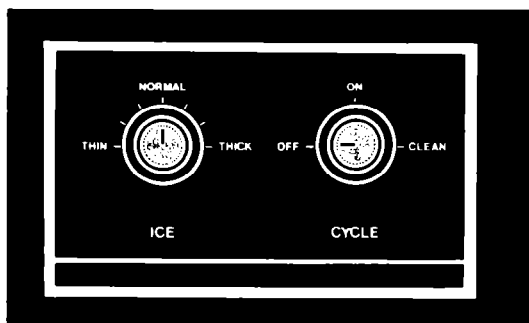
3. The water containing the rejected minerals is drained after each freezing cycle.

4. Fresh water enters the machine for the next ice making cycle.



5. Cubes fall into the storage bin. When the bin is full the ice maker shuts off automatically and restarts when more ice is needed.

Setting the controls...



1. Select ice thickness. The ice maker has been pre-set to produce ice approximately $\frac{1}{2}$ " thick, while operating in a room ambient of 70°F (21°C).

Operation in different ambient temperatures may require readjusting the control toward "THICK" or "THIN."

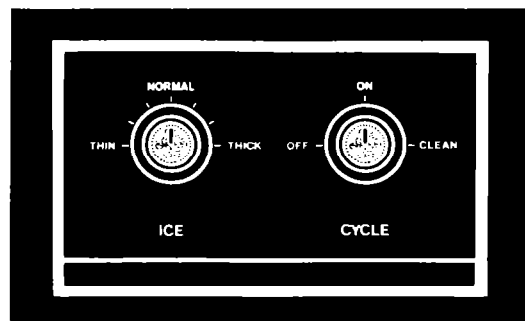
Best operation will be obtained with ice $\frac{1}{2}$ " to $\frac{5}{8}$ " thick.

If operating in a warm room ambient (above 90°F [32°C]) **DO NOT** set control to maximum thickness or the unit may malfunction.

2. To start the normal ice making cycle, turn the Cycle Control Knob to "ON."

3. To stop ice maker operation, turn Cycle Control Knob to "OFF."

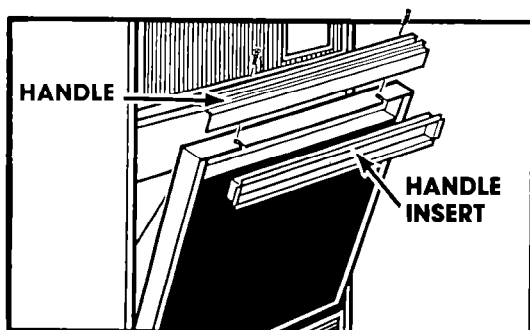
The "CLEAN" setting is used whenever solutions are circulated through the ice maker for cleaning. Only the water pump operates at this setting.



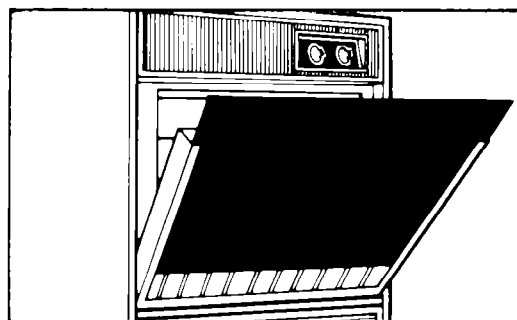
Changing the bin door panel

You can easily change the color of the front panel on the storage bin door. Six colors are available: Black, Almond, Harvest Gold, White, Toast and Platinum.

To change panel:



1. Open the storage bin door. Remove the two screws on the top of the door, which hold the handle.
2. Loosen the screws in both of the side trim pieces.
3. Remove the handle and the handle insert.



4. Carefully slide the panels out. You will find three panels with six colors.
5. Choose the color you want to show and carefully slide the panels back into the door. **NOTE: Be careful not to scratch the panels as they are inserted.**
6. Replace the handle insert and tighten the screws in both side trim pieces. Replace the handle and the screws.

Note: You can make a decorative wood front to match existing cabinets. The panel should be $\frac{1}{4}$ " (6 mm) thick and 17" x 11 $\frac{1}{4}$ " (433 mm x 286 mm). Remove the color panels and break off the ribs on the door insulation to allow for wood thickness.

Cleaning and caring for your ice maker

Periodically inspect and clean the ice maker to keep it operating at peak efficiency and to prevent premature failure of system components.

Both the ice making system and the air cooled condenser need to be cleaned regularly.

The minerals rejected from the circulating water during the freezing cycle will eventually form a hard scaly deposit in the water system which prevents a rapid release of the ice from the freezing plate.

Clean the ice and water system periodically to remove mineral scale build-up. Frequency of cleaning depends on water hardness. With soft water, cleaning may not be required for several years. With hard water (15 to 20 grains/gal.), cleaning may be required as frequently as every six months.

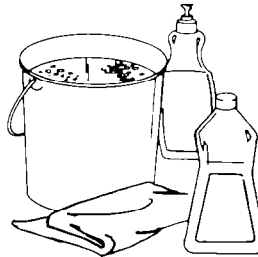
A dirty or clogged condenser:

- prevents proper air flow.
- reduces ice making capacity.
- causes higher than recommended operating temperatures which may lead to component failure.

Cleaning exterior surfaces

Wash the exterior enamel surfaces and gaskets with warm water and mild soap or detergent. Rinse and dry. Regular use of a good household appliance cleaner and wax will help protect the finish.

Do not use harsh or abrasive cleaners on enamel surfaces as they may scratch the finish.

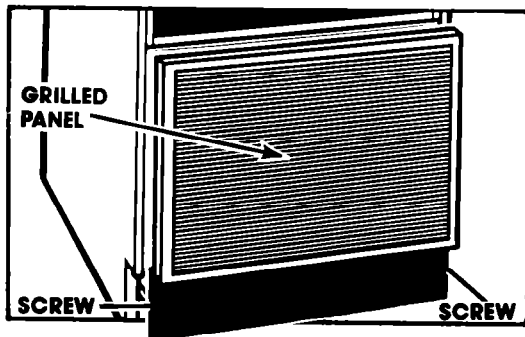


Cleaning the condenser

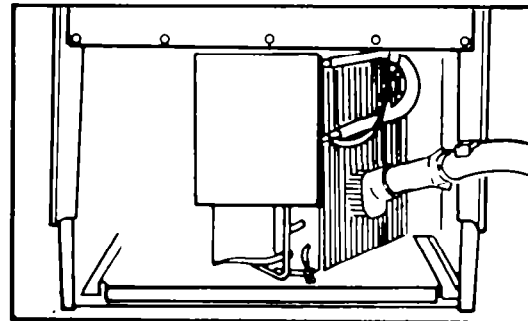


WARNING: Be sure the ice maker is OFF and disconnected from the main power supply. Condenser fan rotation, sharp condenser fins and hot tubing could cause personal injuries.

1. Disconnect electrical power supply to the machine and place the Cycle Control Knob in the "OFF" position.



2. Remove the two screws from the bottom of the grilled front panel.
3. Pull forward and down to remove the panel.



4. Remove dirt and lint from the condenser fins and the unit compartment with a brush attachment attached to a vacuum cleaner.

CAUTION: Condenser fins can bend easily. Use care when vacuuming the condenser to keep from bending the fins.

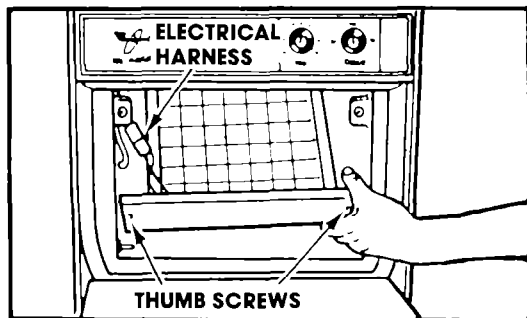
5. Replace the grilled front panel and screws.
6. Plug unit in and place the Cycle Control Knob in the "ON" position.

Cleaning the ice maker system*



WARNING: Most ice machine cleaners are citric or phosphoric acid which can cause irritation even after dilution. In case of contact with eyes, flush eyes thoroughly with fresh water and contact a physician immediately. In case of contact with skin, rinse well with water. If swallowed, give large amounts of water and contact a physician immediately. Do not induce vomiting. **KEEP OUT OF REACH OF CHILDREN.**

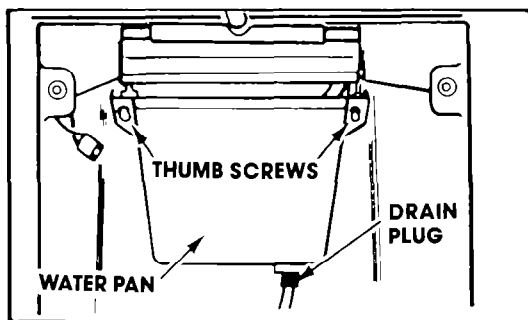
1. Place the Cycle Control Knob in the "OFF" position.



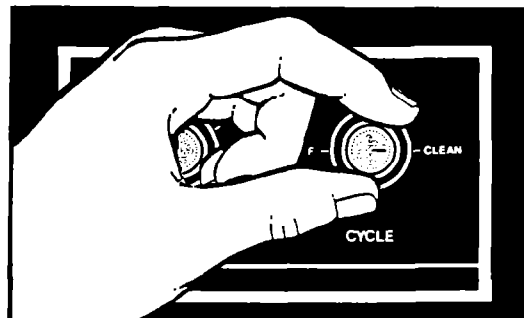
2. Remove the two thumb screws and slide the ice cutter grid forward, out of the two slots near the water pan.
3. Unplug the electrical harness.

CAUTION: Any ice on the grid should be melted under running warm water. Attempting to pick the ice slab off the grid may stretch and damage grid wires.

4. Remove all ice from the storage bin and the freezing plate.



5. Drain the water pan by removing the drain plug and then replace the plug.



6. Pour $\frac{1}{2}$ gallon (1.9 L) of hot tap water into the water pan and turn the Cycle Control Knob to "CLEAN." This warms up the system to make the cleaning solution more effective. Let circulate for five minutes. While tap water is circulating, prepare cleaning solution. Mix:

6 oz. (170 g) powdered citric,
or phosphoric acid into
 $\frac{1}{2}$ gallon (1.9 L) hot water

(Citric and phosphoric acid crystals are available from many pharmacies or scientific supply houses.)

Commercial ice machine cleaners (liquid) are also available from your dealer or refrigeration parts supply stores. Mix according to instructions on label (total quantity $\frac{1}{2}$ gallon [1.9 L]).

7. Turn Cycle Control Knob to "OFF" and drain the water pan. (See step 5.)

8. Turn the Cycle Control Knob to "CLEAN" and slowly pour the hot cleaning solution into the water pan. (If solution foams while pouring, wait until foaming stops.) Then add the balance of the solution.

Allow solution to circulate until the scale has dissolved (15 to 20 minutes). Severe scale build-up may require repeated cleaning with a fresh quantity of cleaning solution.

To clean scale off the side flanges of the freezing plate, use rubber gloves and scrub with a plastic scrubber or non-soap filled stainless steel pad dipped in cleaning solution.

9. Keep rubber gloves on to drain the cleaning solution. Turn the Cycle Control Knob to "OFF" and drain the water pan. (See step 5.)

10. Replace the plug and add $\frac{1}{2}$ gallon (1.9 L) of fresh water. Set Cycle Control Knob on "CLEAN," circulate five minutes and drain. Repeat rinsing process.

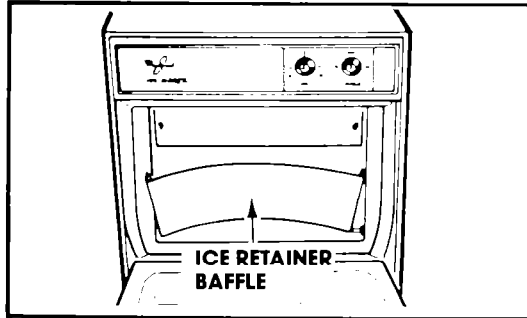
*Accepted by the National Sanitation Foundation.

Cleaning the interior components



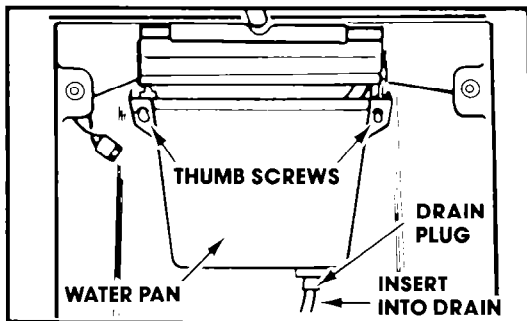
WARNING: Do not operate ice maker with grille or control panel removed. Personal injury could result.

1. Turn the Cycle Control Knob to "OFF" and disconnect the electrical power supply to the machine. Open the storage bin door and remove any ice that is in the bin.

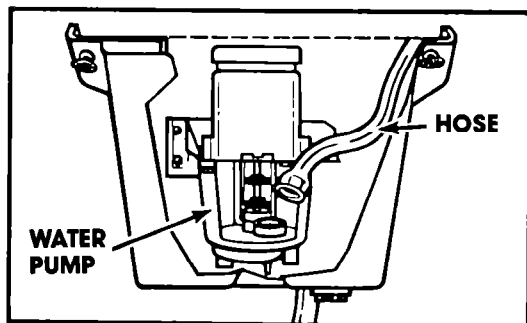


2. Remove ice retainer baffle by flexing it and then slide it off the studs.

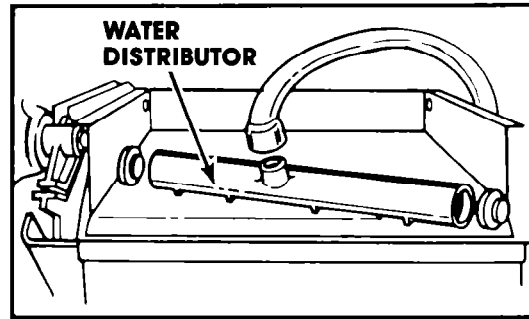
3. Remove the ice cutter grid by unscrewing the two thumb screws, sliding the grid forward and unplugging the electrical wire harness.



4. Remove the water pan by unscrewing the two thumb screws.



5. Remove the hose from the water pump.



6. Remove the water distributor from the freezing plate. It is held in place by rubber end caps. Remove the inlet hose and clean all water distributor holes and the small orifice in the inlet side of the distributor. When replacing the distributor, make sure the end caps are located in the evaporator flange detents and that the water distributor holes face down.

7. Wash the **interior components** (ice retainer baffle, cutter grid, water pan, inlet hose and water distributor) and the storage bin, door gasket and ice scoop with mild soap or detergent and warm water. Rinse in clean water. These components should also be cleaned in a solution of ¼ oz. (8 ml) of chlorine bleach with 1 gallon (3.8 L) warm water.

DO NOT WASH PLASTIC PARTS IN DISHWASHER.

They cannot withstand temperatures above 145°F (63°C).

8. Replace the interior components: water distributor, inlet hose, water pan, cutter grid and ice retainer baffle.

9. Check the following:

- Hose from water valve is in water pan.
- Rubber drain plug is in water pan.
- Water distributor is seated and holes are facing down.
- Hose is reconnected to pump and water distributor.
- Hose from water pan is inserted into storage bin drain opening.

10. Reconnect electrical harness, slide cutter grid into place and tighten the thumb screws.

Filtering and treating water

In most areas it will be beneficial to filter or treat the water being supplied to the ice machine. It can improve the reliability of the machine, reduce water system maintenance and produce the best quality of ice.

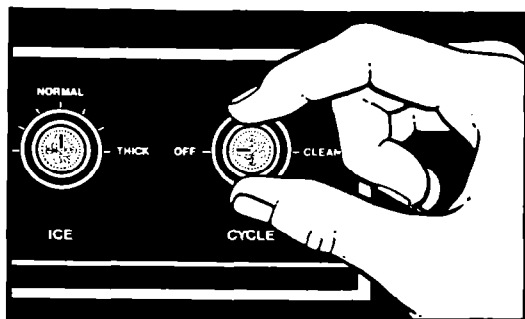
The installation of a polyphosphate feeder will generally reduce scale build-up and the ice machine will require less frequent cleaning.

Municipal water systems are generally treated with chlorine to maintain a safe potable water supply. Activated carbon filters will sufficiently remove the residual chlorine from the water to reduce surface staining of stainless steel materials in the ice machine.

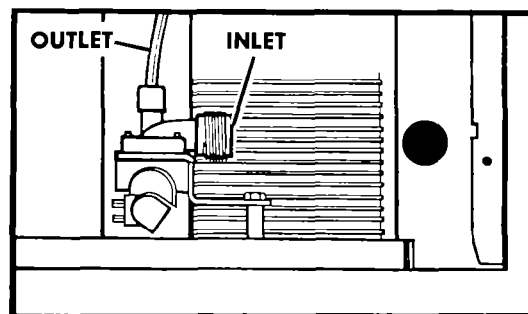
For information on filtering and treating the water, see the dealer from whom you purchased your ice maker or your WHIRLPOOL Franchised TECH-CARE™ service company.

Vacation and moving care

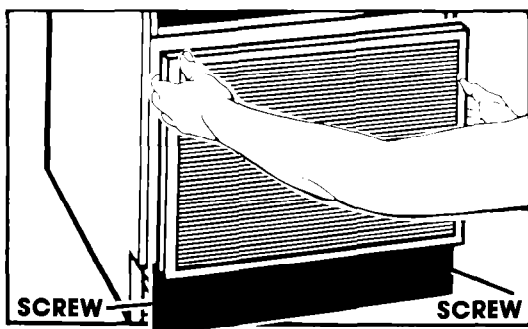
To shut down the ice maker:



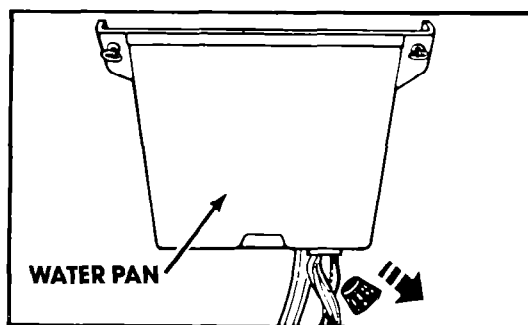
1. Turn the Cycle Control Knob to "OFF."
2. Remove all ice from storage bin.
3. Shut off the water supply.



5. Disconnect the inlet and outlet lines to water valve. Allow these lines to drain and then reconnect to the valve.
6. Replace front grille and screws.



4. Remove two screws from base of front grille, then remove front grille.



7. Remove water from drain lines and drain water pan if the unit will be subjected to freezing temperatures during shut down.
8. Before using again, clean the ice maker and storage bin.

Note: All components of the ice maker are permanently lubricated at the factory. They should not require any additional oiling throughout the normal life of the machine.

If you need service or assistance, we suggest you follow these four steps:

1. Before calling for assistance...

Performance problems often result from little things you can find and fix yourself without tools of any kind.

Unit does not run:

- Cycle Control Knob must be in the "ON" position.
- Check to see that power cord is plugged in.
- Check for blown fuse or tripped circuit breaker in electrical supply to machine.
- Room temperature must be above 55°F (13°C). Otherwise, bin thermostat may sense cold room temperature and shut off even though bin is not full of ice. Also, unit may not restart once it does shut off.

Unit runs but produces no ice:

- Cycle Control Knob must be in the "ON" position.
- Check water supply to make sure it is open.
- If ice machine is operated at an elevation of 2,000 feet or more above sea level, both the bin thermostat and ice thickness thermostat need to be recalibrated. See Installation Instructions.

Unit runs but produces very little ice:

- Room temperature may be extremely high, over 90°F (32°C). In this case, it is normal for ice production to be low.
- Dirt or lint may be blocking the air flow through the finned condenser. Condenser needs to be cleaned.
- Check to see if the unit has a scale build-up in water and freezing system. Clean, if necessary.

Grid is not cutting ice sheets:

- Check the grid harness plug to make sure the connection is secure.

Taste in ice cubes:

- There may be an unusually high mineral content in water supply. Water may need to be filtered or treated.
- Do not store any foods in the ice bin.
- Packaging material not all removed.

A more detailed "Trouble Diagnosis Chart" and other technical information is shipped with each unit and is located in the unit compartment section.

Service repair and replacement parts manuals may be ordered directly from:

Whirlpool Corporation
Whirlpool Drive
Attention: Literature Department
LaPorte, Indiana 46350

Specify the model number of the ice machine when ordering.

2. If you need assistance*...

Call Whirlpool COOL-LINE® service assistance telephone number. Dial free from:
Continental U.S. (800) 253-1301
Michigan (800) 632-2243
Alaska & Hawaii (800) 253-1121

and talk with one of our trained Consultants. The Consultant can instruct you in how to obtain satisfactory operation from your appliance or, if service is necessary, recommend a qualified service company in your area.

3. If you need service*...



Whirlpool has a nationwide network of franchised TECH-CARE® Service Companies. TECH-CARE service technicians are trained to fulfill the product warranty and provide after-warranty service,

anywhere in the United States. To locate TECH-CARE service in your area, call our COOL-LINE service assistance telephone number (see Step 2) or look in your telephone directory Yellow Pages under:

| | | |
|--|----|--|
| APPLIANCES - HOUSEHOLD - MAJOR - SERVICE & REPAIR | OR | ELECTRICAL APPLIANCES - MAJOR - REPAIRING & PARTS |
| WHIRLPOOL APPLIANCES FRANCHISED TECH-CARE SERVICE | | WHIRLPOOL APPLIANCES FRANCHISED TECH-CARE SERVICE |
| <i>SERVICE COMPANIES</i> XYZ SERVICE CO 123 Maple 999-9999 | | <i>SERVICE COMPANIES</i> XYZ SERVICE CO 123 Maple 999-9999 |

OR

WASHING MACHINES, DRYERS
& IRONERS - SERVICING

WHIRLPOOL APPLIANCES
FRANCHISED TECH-CARE SERVICE

SERVICE COMPANIES
XYZ SERVICE CO
123 Maple 999-9999

4. If you have a problem*...

Call our COOL-LINE service assistance telephone number (see Step 2) and talk with one of our Consultants, or if you prefer, write to:

Mr. Stephen E. Upton
 Senior Vice President
 Whirlpool Corporation
 Administrative Center
 2000 US-33 North
 Benton Harbor, MI 49022

*If you must call or write, please provide: model number, serial number, date of purchase, and a complete description of the problem. This information is needed in order to better respond to your request for assistance.



FSP is a registered trademark of Whirlpool Corporation for quality parts. Look for this symbol of quality whenever you need a replacement part for your Whirlpool appliance. FSP replacement parts

will fit right and work right, because they are made to the same exacting specifications used to build every new Whirlpool appliance.

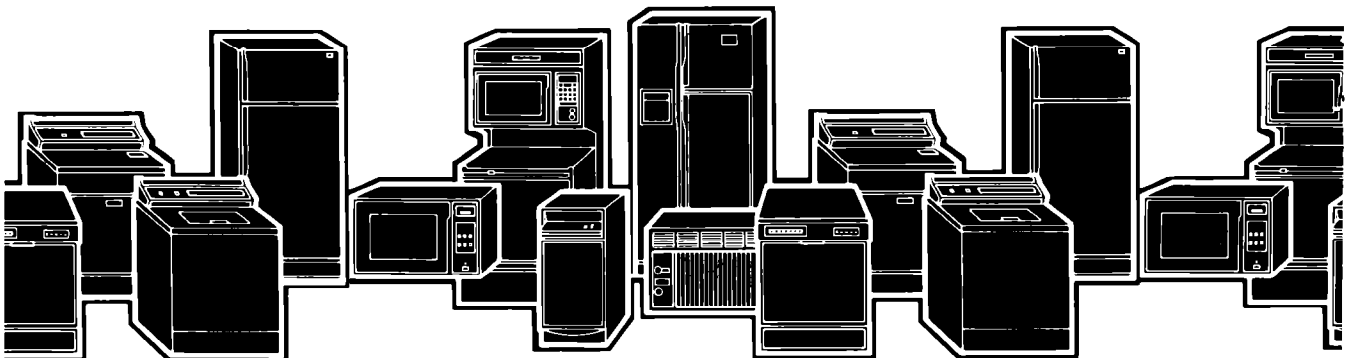


Part No. 758558
©1985 Whirlpool Corporation

Making your world a little easier.

Printed in U.S.A.

Makers. Dishwashers. Built-In Ovens and Surface Units. Ranges. Microwave Ovens. Trash Compactors. Room Air Conditioners. Dehumidifiers. Automatic Washers. Clothes Dryer.



Free Manuals Download Website

<http://myh66.com>

<http://usermanuals.us>

<http://www.somanuals.com>

<http://www.4manuals.cc>

<http://www.manual-lib.com>

<http://www.404manual.com>

<http://www.luxmanual.com>

<http://aubethermostatmanual.com>

Golf course search by state

<http://golfingnear.com>

Email search by domain

<http://emailbydomain.com>

Auto manuals search

<http://auto.somanuals.com>

TV manuals search

<http://tv.somanuals.com>