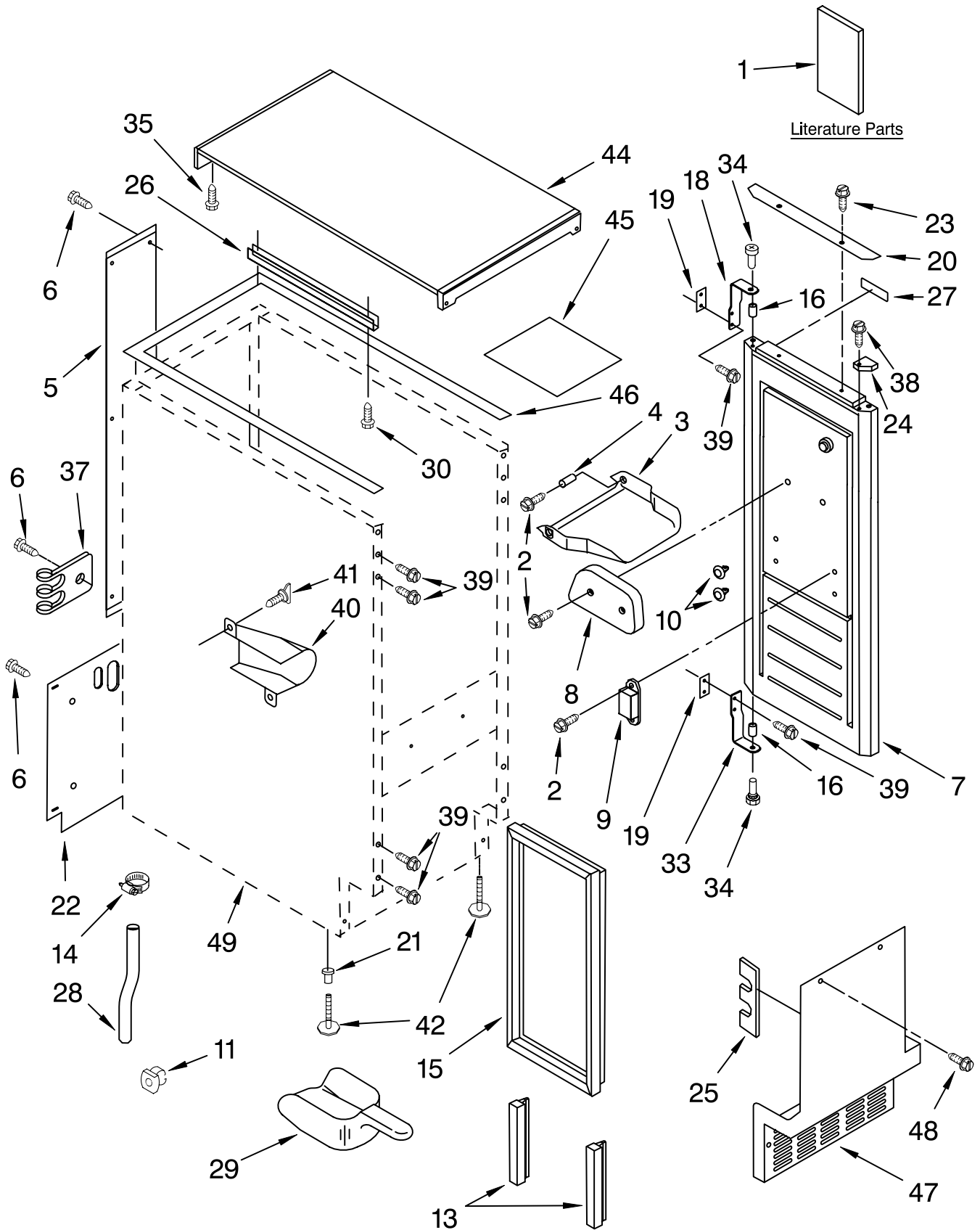




CABINET LINER AND DOOR PARTS

For Models: G15NDXTQ1, G15NDXTB1, G15NDXTS1
(White) (Black) (Stainless Steel)

ICE CUBE
MAKER



FOR ORDERING INFORMATION REFER TO PARTS PRICE LIST

CABINET LINER AND DOOR PARTS

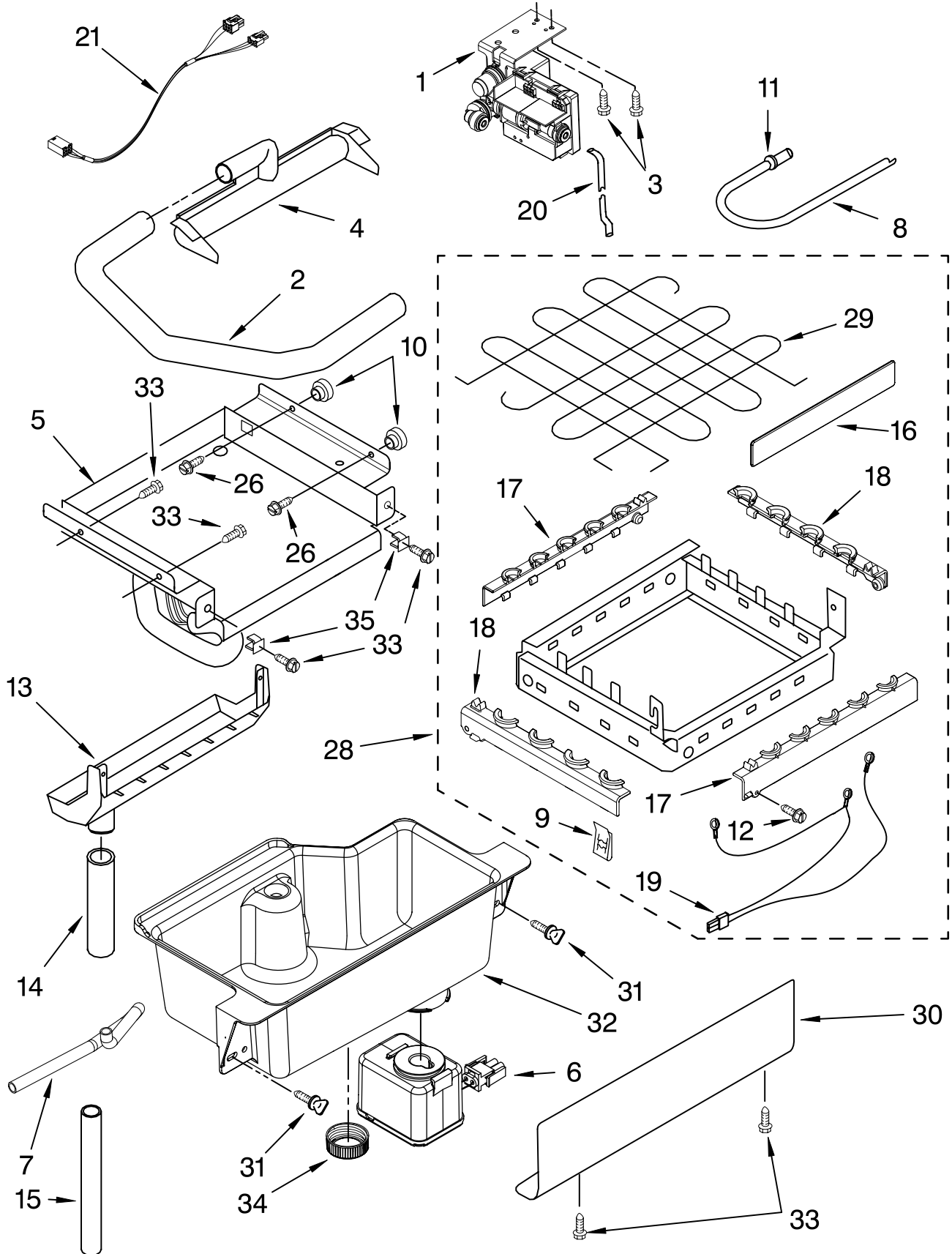
For Models: GI15NDXTQ1, GI15NDXTB1, GI15NDXTS1
(White) (Black) (Stainless Steel)

Illus. No.	Part No.	DESCRIPTION	Illus. No.	Part No.	DESCRIPTION	Illus. No.	Part No.	DESCRIPTION
1		Literature Parts	18	2185710	Hinge, Top	26	2185691	Channel, Wiring
	2313683	Use & Care Guide	19	2185709	Shim, Hinge	27	8303810	Badge (Whpl.Gold)
	2324311	Service & Wiring Sheet	20		Handle, Door	28	2185989	Tube, Drain
				2208493W	White	29	585158	Scoop
2	3400886	Screw 8-18 x 1 1/4		2208493B	Black	30	3400884	Screw 8-18 x 5/8
3	2185742	Bin, Door		2208493AP	Apollo Grey	33	2185711	Hinge, Bottom
4	2185678	Spacer	21	3400240	Nut, Leg Leveler	34	2185712	Pin, Hinge
5	2217394	Cover, Wiring	22	W10136199	Assembly, Unit Cover	35	489048	Screw, Ground 8-32 x 1/2
6	489442	Screw	23		Screw	37	2208136	Clip, Water Tube
7		Door		8281188	White	38	348689	Screw 8-18 x 3/4
	2932803W	White		8281186	Black	39	489423	Screw
	2932803B	Black		8281184	Stainless	40	2185927	Holder, Scoop
	W10122065	Stainless Steel	24		Filler, Endcap Left Side	41	8281228	Thumbscrew
8	2185695	Cam, Door		2185655W	White	42	3374849	Leg, Leveler (4) Top
9	2217393	Assembly, Magnetic Catch		2185655B	Black	44	2929700W	White
10	2189000	Hole Plug, Handle		2185655AP	Apollo Grey Right Side		2929700B	Black
11	692400	Nut, Push-In		2185656W	White	45	2185690	Shield, Electrical
13	2217367	Gasket, Bottom		2185656B	Black	46	2217293	Gasket, Top Panel
14	489503	Clamp		2185656AP	Apollo Grey	47	2185571W	White Grill, Front
15	2217294	Gasket, Door		2185756	Pad, Foam		2185571B	Black
16	2185640	Sleeve, Hinge	25			48	489474	Screw 8-18 x 1 Cabinet & Liner (NOT SERVICED)
						49		

FOR ORDERING INFORMATION REFER TO PARTS PRICE LIST

EVAPORATOR, ICE CUTTER GRID AND WATER PARTS

For Models: GI15NDXTQ1, GI15NDXTB1, GI15NDXTS1
 (White) (Black) (Stainless Steel)



FOR ORDERING INFORMATION REFER TO PARTS PRICE LIST

EVAPORATOR, ICE CUTTER GRID AND WATER PARTS

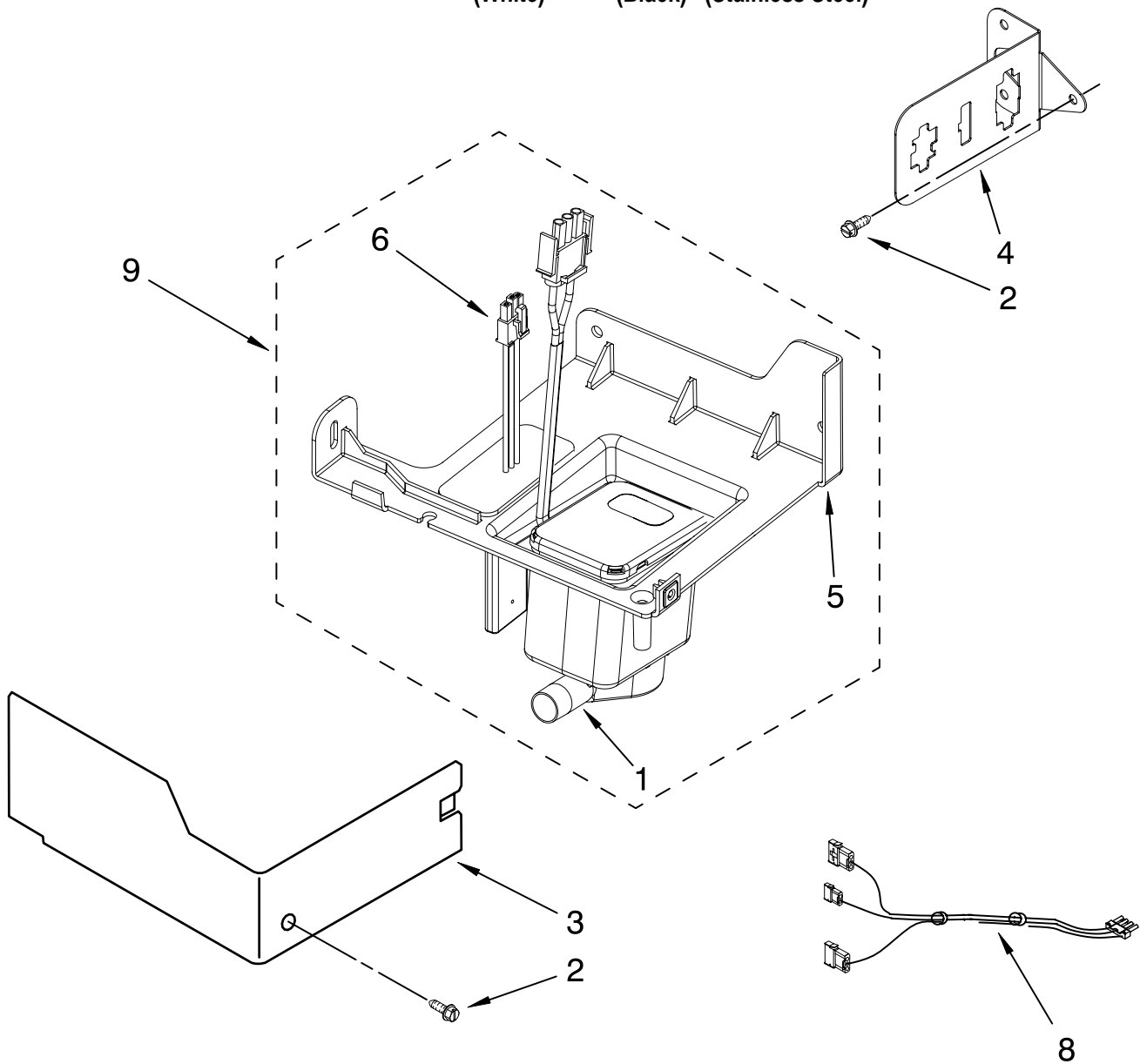
For Models: GI15NDXTQ1, GI15NDXTB1, GI15NDXTS1
(White) (Black) (Stainless Steel)

Illus. No.	Part No.	DESCRIPTION
1	W10159841	Valve, Complete Water
2	2217286	Tube, Plastic
3	488208	Screw
4	2185523	Dispenser, Water
5	2217269	Evaporator
6	2313705	Pump, Drain
7	2313851	Tube, Reservoir Pump
8	2172593	Tube, Water Fill
9	488660	Nut, Speed
10	836667	Spacer
11	2208539	Fastener, Pushnut
12	489443	Screw
13	2185625	Reservoir, Water Slide
14	2185626	Tube
15	2313890	Hose, Overflow
16	2313604	Guide-Ice, Grid
17	2313603	Bracket, Front and Rear
18	2313602	Bracket, Side Left and Right
19	2185681	Harness, Grid
20	W10136146	Tube
21	2310169	Wire Assembly Valve
26	3400886	Screw 8-18 x 1 1/4
28	2313637	Grid Assembly (Complete)
29	2174754	Wire, Grid Cutter
30	2185570	Cover, Grid
31	8281228	Thumbscrew
32	2324334	Reservoir, Water
33	3400884	Screw 8-18 x 5/8
34	2185696	Cap, Drain
35	3400909	Nut, Push-In

FOR ORDERING INFORMATION REFER TO PARTS PRICE LIST

PUMP PARTS

For Models: GI15NDXTQ1, GI15NDXTB1, GI15NDXTS1
(White) (Black) (Stainless Steel)

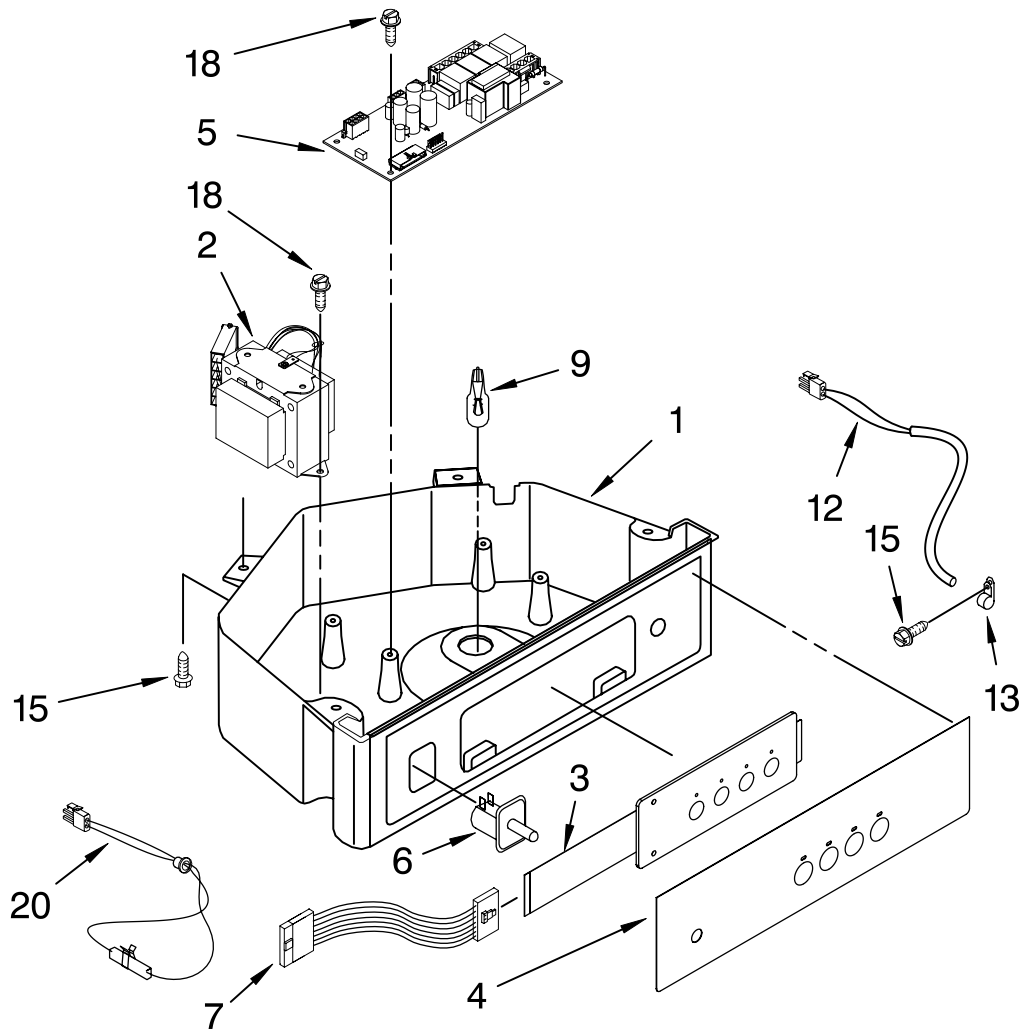


Illus. No.	Part No.	DESCRIPTION
1	2313628	Pump-Recirculating
2	3400884	Screw 8-18 x 5/8
3	2185677	Cover, Pump
4	2313844	Bracket, Connector Assembly
5	2313627	Bracket-Pump
6	2313643	Sensor-Water Level
8	2310092	Wiring Harness Main To Pump
9	2313702	Pump Assembly

FOR ORDERING INFORMATION REFER TO PARTS PRICE LIST

CONTROL PANEL PARTS

For Models: GI15NDXTQ1, GI15NDXTB1, GI15NDXTS1
(White) (Black) (Stainless Steel)



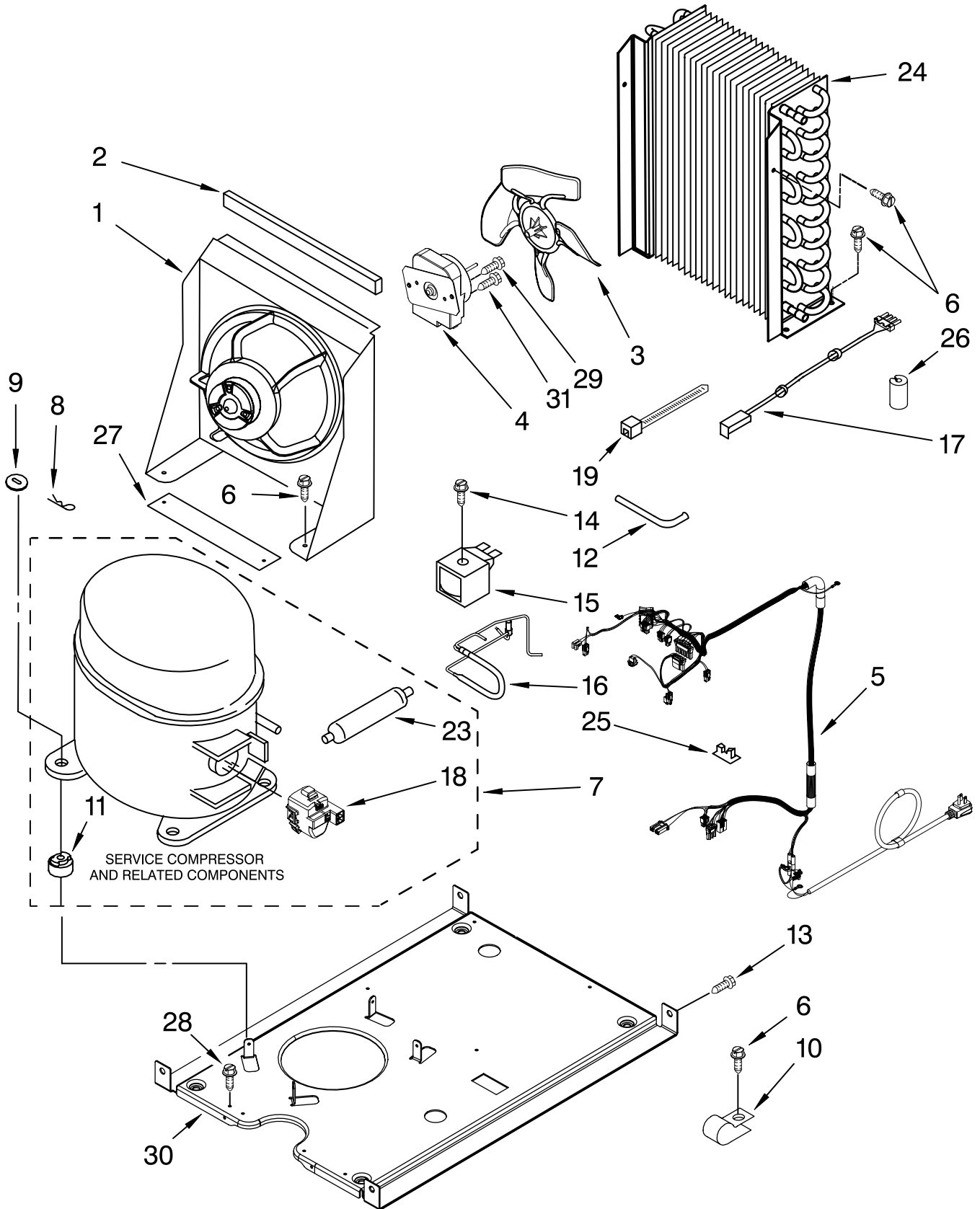
Illus. No.	Part No.	DESCRIPTION
------------	----------	-------------

1	W10139122	Box, Control
2	2310139	Transformer
3	2304121	Assembly, Switch (Also Order #4)
4	2313692	Overlay
5	W10122069	Control Board
6	2149705	Switch, Plunger (Also Order # 4)
7	2187585	Wire Assy-Active Overlay Jumper
9	745362	Bulb
12	2313633	Thermostat, Bin
13	2185825	Clamp
15	3400884	Screw
18	3400850	Screw 8-16 x 3/8
20	2313635	Thermister, Ice Control

FOR ORDERING INFORMATION REFER TO PARTS PRICE LIST

UNIT PARTS

For Models: G15NDXTQ1, G15NDXTB1, G15NDXTS1
(White) (Black) (Stainless Steel)



FOR ORDERING INFORMATION REFER TO PARTS PRICE LIST

UNIT PARTS

For Models: GI15NDXTQ1, GI15NDXTB1, GI15NDXTS1
(White) (Black) (Stainless Steel)

Illus. No.	Part No.	DESCRIPTION	Illus. No.	Part No.	DESCRIPTION	Illus. No.	Part No.	DESCRIPTION
1	2185532	Bracket, Fan Mtg.	10	2185960	Clamp	24	2313624	Condenser
2	2185675	Pad, Foam	11		Grommet (4)	25	1115375	Clip-Wiring
3	2188935	Blade, Fan		2217318	Production	26	2319835	Grommet-Cond.(1)
4	2315558	Motor & Mounting Plate Assembly		4387558	Service	27	2217397	Pad, Foam (2)
5	W10139121	Wiring Harness, Complete Unit (Includes Power Cord)	12	2208415	Tube, Process	28	488500	Screw
6	304392	Screw	13	489423	Screw	29	8281197	Screw
7	W10136195	Compressor (Includes Illus. 11 & 23)	14	489472	Screw	30	2217388	Base, Unit
8	A201435	Clip, Mounting	15	759112	Coil, Solenoid	31	8281196	Screw
9	A201441	Shim (4)	16	2313806	Hot Gas Valve			
			17	2187629	Wiring Harness, Condenser Fan			
			18	W10136197	Start Relay & Overload Combo Device	REFRIGERANT CHARGE		
			19	2155774	Strap			6.5 OZ. (R134A)
			23		Drier			
				2319826	Production			
				4387019	Service			



FOR ORDERING INFORMATION REFER TO PARTS PRICE LIST

OPTIONAL PARTS (NOT INCLUDED)

For Models: GI15NDXTQ1, GI15NDXTB1, GI15NDXTS1
(White) (Black) (Stainless Steel)

Illus.	Part	
No.	No.	DESCRIPTION
Parts Not Illustrated and Optional Parts (Not Included)		

- 503695 Sealer, Cork
(1/4 Pound)
- 797403 Cement, Insulation
(1 Oz.)
- 505587 Sealer, Mastic
(1 Qt.)
- 212643 Sealer, Gum
(22 Pcs. 3/16" x 7")
- 479976 Kit, Insulation
(5 Pcs. 3" x 24"
x 48")
- 8537055 Cleaner, Stainless
Steel
- 978025 Valve, Access
(1/4")
- 978026 Valve, Access
(5/16")
- 978027 Valve, Access
(3/8")
- 978028 Valve, Access
(1/2")
- 978029 Valve, Access
(5/8")
- 978030 Valve, Access
(3/4")

FOR ORDERING INFORMATION REFER TO PARTS PRICE LIST

Free Manuals Download Website

<http://myh66.com>

<http://usermanuals.us>

<http://www.somanuals.com>

<http://www.4manuals.cc>

<http://www.manual-lib.com>

<http://www.404manual.com>

<http://www.luxmanual.com>

<http://aubethermostatmanual.com>

Golf course search by state

<http://golfingnear.com>

Email search by domain

<http://emailbydomain.com>

Auto manuals search

<http://auto.somanuals.com>

TV manuals search

<http://tv.somanuals.com>