



Service Manual

Microwave oven

MAX 18/AW

Model Version		Page
	MAX 18/AW 8538 018 99261	
	Introduction safety	2
	Technical data	3
	Spare part list	4
	Exploded view	5
	Wiring diagram	6 - 7

This documentation is only intended for qualified technicians who are aware of the respective safety regulations.

Date: 01.09.2003 (Mod. 01)

Document-No.: 4812 714 14499

Subject to modification

Introduction safety

INTRODUCTION

Before leaving the factory each oven is carefully checked.
It must, however, be installed and used correctly.

Despite all the steps taken to make the oven safe, the safety is dependent on the correct installation and the fact the user understands how to use and maintain the oven.

The information in this section should be used as a reminder that the oven is safe and that anyone who uses it must first read the instructions for use in order to be able to use the oven correctly and obtain best results.

SAFETY

To avoid injury to yourself and damage to the appliance always work to the following rules when servicing an oven.

Always disconnect the plug from the mains before starting work.

If there is no plug switch off the electric supply at the control box.

When you have finished servicing an oven before you reconnect it to the mains, make sure that:

- all the internal connections are correct
- the wires are insulated and not touching the door or the cabinet or anything sharp
- all the earth connections are electrically and mechanically sound
- do not modify or anyway interfere with the safety devices built-in to the oven

- make sure that each replacement part you use conforms to the manufacturer's specifications

Do not start a repair if you have any doubt as to your ability to complete it.

CAUTION - MICROWAVE RADIATION

PERSONNEL SHOULD NOT BE EXPOSED TO THE MICROWAVE ENERGY WHICH MAY RADIATE FROM THE MAGNETRON, WAVEGUIDE OR ANTENNA IF THEY ARE IMPROPERLY USED OR CONNECTED. ALL INPUT AND OUTPUT MICROWAVE CONNECTIONS, WAVEGUIDES, FLANGES AND GASKETS MUST BE SECURE. NEVER OPERATE THE DEVICE WITHOUT A MICROWAVE ENERGY ABSORBING LOAD ATTACHED. NEVER LOOK INTO AN OPEN WAVEGUIDE OR ANTENNA WHILE THE DEVICE IS ENERGIZED. NEVER OPERATE AN OVEN WITH CABINET OFF WITHOUT MEASURING THE MICROWAVE LEAKAGE AROUND MAGNETRON AND VISIBLE MICROWAVE CONNECTIONS (WELDING JOINTS).

Do not operate the oven if the following conditions exist:

- the door does not close firmly against the door support because of the door being warped or the hinges damaged.
- The door trims or seals are damaged.
- If there is any visible damage to the oven.
- if the door does not close properly.

Avoid operating the oven if known components in the interlock system, oven door or microwave generating assembly are known defective. They must be replaced.

WARNING - HIGH VOLTAGE

IT IS POSSIBLE TO COME IN CONTACT WITH LETHAL HIGH VOLTAGE WHEN WORKING WITH HV TRANSFORMER, HV CAPACITOR AND MAGNETRON. THEREFORE NEVER TRY TO MEASURE THE HIGH VOLTAGE. ALWAYS TAKE UTMOST CARE WHEN PERFORMING ELECTRIC MEASUREMENTS INSIDE THE OVEN.

Technical data

Product dimensions

Height	356	mm
Width	392	mm
Depth	350	mm

Cavity dimensions

Height	149	mm
Width	290	mm
Depth	290	mm
Cavity volume	13	l
Turntable diameter	280	mm

Weight

Net	12	kg
Gross	13	kg

Electrical

Voltage	230	V
Frequency	50	Hz
Fuse	10	A
Current consumption	6	A

Power

Power consumption	1300	W
Output power MW	750	W
Grill	600	W
Maximum input power	1750	W

Timer

electronic	30	min.
	5	power levels

Error codes

Certain fault conditions are indicated by an error code.
The following codes are implemented:

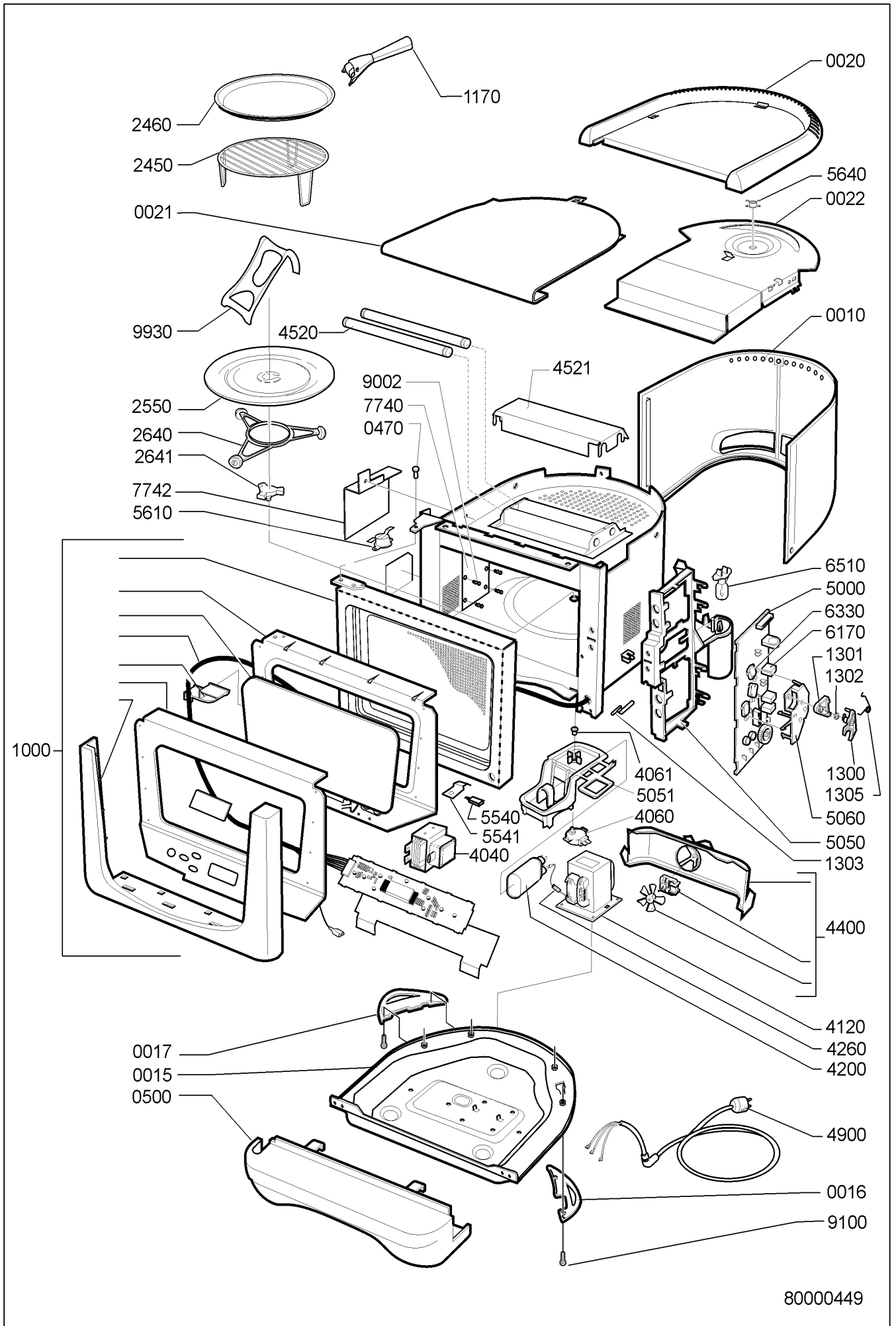
ERR 0	Convection temperature sensor fault. Not connected or short circuit.
ERR 1	Short circuit in the MW relay.
ERR 6	Weight sensor calibration has not been performed.
ERR 7	Humidity sensor is defect or has not been connected.
ERR 8	Impossible to write to E ² PROM.
ERR 9	Options have not been set.
ERR A	No wheel detected on weight sensor.
ERR B	No pulses from the weight sensor or <4267 Hz.
ERR C	Fuzzy temperature sensor fault. Not 19-41 °C.

Spare part list

Model MAX 18/AW
Service No. 853801899261
Version 853801899261

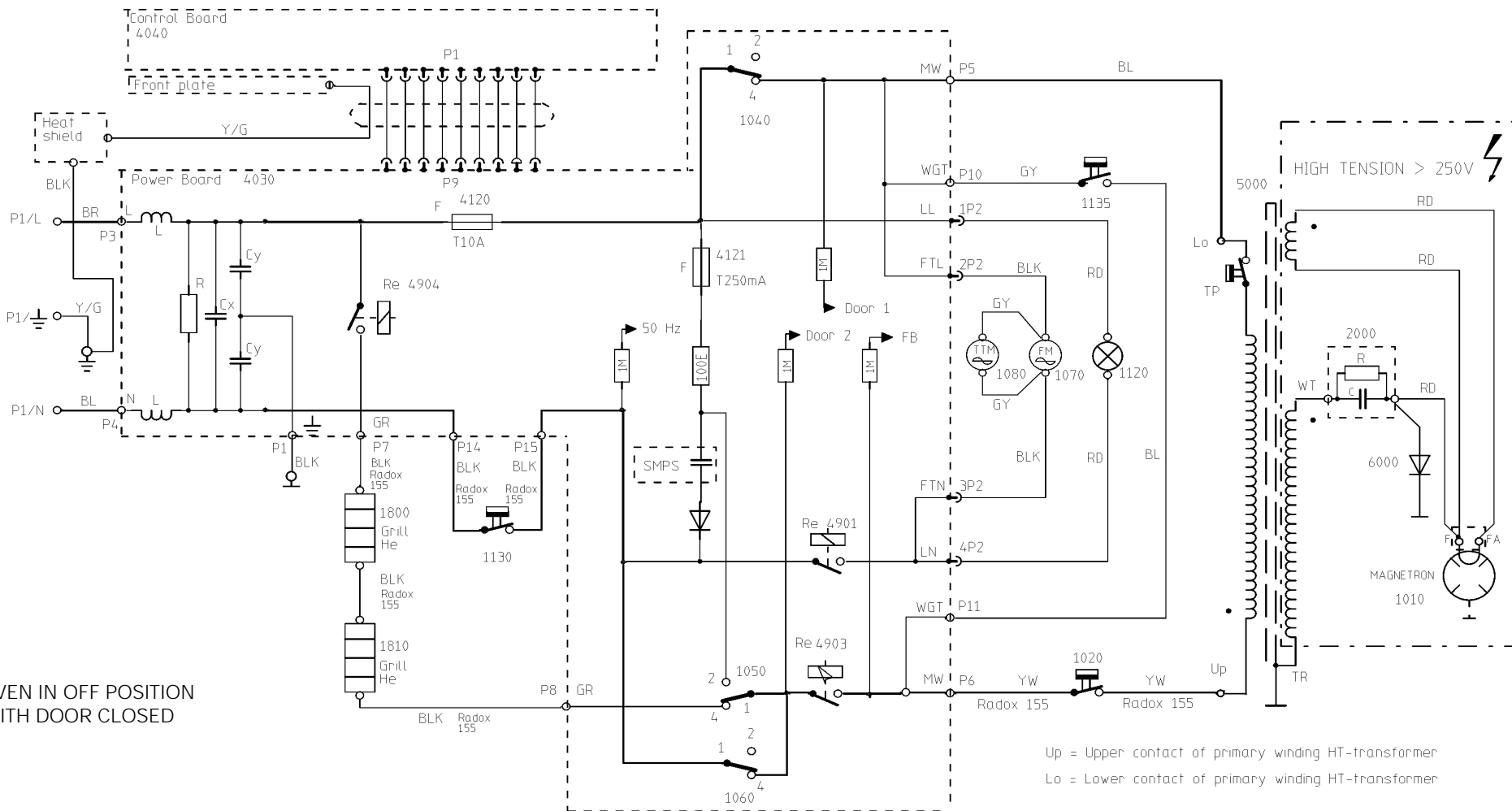
Pos. No.	12NC Code	Description
001 0	4812 440 10447	Cabinet outer WH
001 5	4812 462 79788	Plate, bottom
001 6	4812 462 79849	Frame distance piece right
001 7	4812 462 79851	Frame distance piece left
002 0	4812 325 58002	Frame top WH
002 1	4812 325 58003	Frame top plate AL
002 2	4812 325 58004	Frame heat shield top
005 0	4812 440 89022	Panel bottom
047 0	4812 492 48178	Hinge pin, top
100 0	4812 442 69289	Door complete Alu/White
117 0	4819 498 78366	Handle for crisp plate
130 0	4812 492 58039	Lever
130 1	4812 460 38114	Cam plate
130 2	4812 492 58041	Clutch
130 3	4812 492 58038	Pin
130 5	4812 492 68172	Spring, tension
245 0	4812 458 19141	Grid
246 0	4812 418 79782	Crisp plate AMW 001
255 0	4812 466 78407	Glass plate turntable
264 0	4812 539 28001	Crosspiece
264 1	4812 539 28002	Spider
404 0	4819 131 58019	Magnetron
406 0	4812 361 58156	Motor Turntable
406 1	4812 492 58037	Tube MW
412 0	4812 145 38032	Transformer HT
420 0	4812 121 58137	Capacitor 1.01 μ F
426 0	4819 218 38038	Diode HV
440 0	4812 361 18317	Motor blower
452 0	4812 259 28845	Heating element 115V
452 1	4812 259 28846	Heat shield
490 0	4812 321 18195	Cable, mains 3X1, 0 EU
500 0	4812 214 78952	Control board assembly
505 0	4812 256 98038	Bracket PCB holder
505 1	4812 256 98037	Holder multi
506 0	4812 270 18026	Switch holder
554 0	4812 282 08613	Thermostat Magnetron
554 1	4812 256 98036	Bracket Thermostat
561 0	4812 282 48271	Thermostat waveguide
564 0	4812 282 08625	Thermostat overheat
617 0	4812 280 68349	Relay
633 0	4812 271 38427	Microswitch door
651 0	4819 134 28051	Lamp
774 0	4812 462 28268	Mica plate
774 2	4812 442 69274	Heat shield waveguide
900 2	4812 491 48016	Pin for micaplate
910 0	4812 502 38354	Screw safety
993 0	4812 462 18208	Holder baby bottle

Exploded view



80000449

Wiring diagram



OVEN IN OFF POSITION
 WITH DOOR CLOSED

- BL Blue
- BLK Black
- BR Brown
- GY Grey
- RD Red
- WT White
- YW Yellow
- Y/G Yellow - green

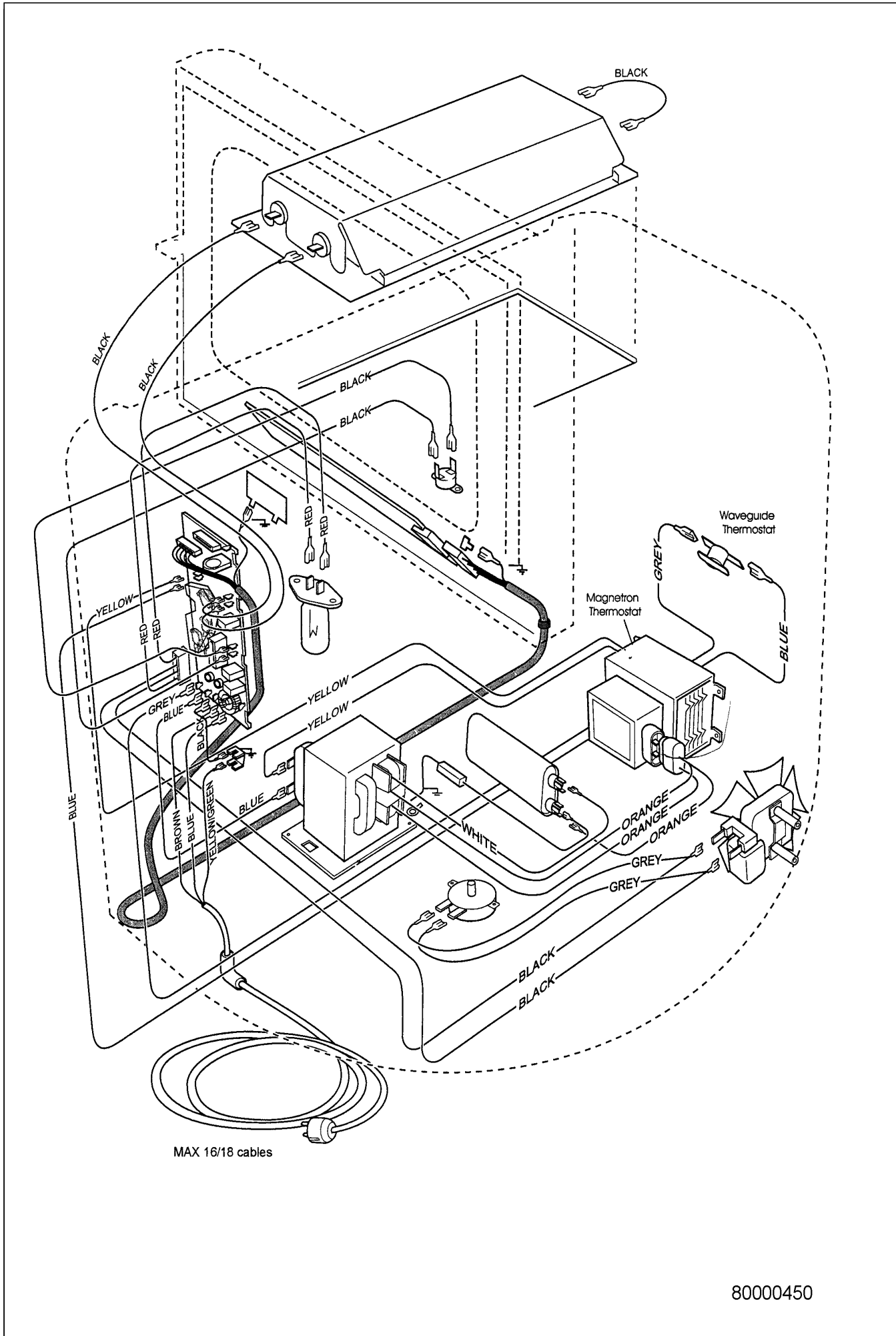
- 1010 Magnetron
- 1020 Thermostat Magnetron
- 1040 Secondary doorswitch
- 1050 Monitor doorswitch
- 1060 Primary doorswitch
- 1070 Motor fan
- 1080 Motor turntable
- 1120 Cavity lamp
- 1130 Thermostat cavity

- 1135 Thermostat waveguide
- 1800 Heating element grill
- 2000 HT capacitor
- 4030 Power board
- 4040 Control system
- 4120 Fuse T 10 A
- 4121 Fuse T 250 mA
- 5000 HT transformer
- 6000 HT diode

Up = Upper contact of primary winding HT-transformer
 Lo = Lower contact of primary winding HT-transformer

8538 016 99281

Wiring diagram



Free Manuals Download Website

<http://myh66.com>

<http://usermanuals.us>

<http://www.somanuals.com>

<http://www.4manuals.cc>

<http://www.manual-lib.com>

<http://www.404manual.com>

<http://www.luxmanual.com>

<http://aubethermostatmanual.com>

Golf course search by state

<http://golfingnear.com>

Email search by domain

<http://emailbydomain.com>

Auto manuals search

<http://auto.somanuals.com>

TV manuals search

<http://tv.somanuals.com>