



MICROWAVE OVEN

Use & Care Guide

For questions about features, operation/performance, parts, accessories or service, call: **1-800-253-1301**.

In Canada, for assistance, installation or service, call: **1-800-807-6777**

or visit our website at...

www.whirlpool.com or www.whirlpool.ca

FOUR À MICRO-ONDES

Guide d'utilisation et d'entretien

Au Canada, pour assistance, installation ou service, composez le **1-800-807-6777**

ou visitez notre site web à www.whirlpool.ca

Table of Contents/Table des matières2

Models WMC10511 WMC11511

W10434049B

TABLE OF CONTENTS

MICROWAVE OVEN SAFETY	3
INSTALLATION INSTRUCTIONS	4
Unpacking	4
Location Requirements	4
Electrical Requirements	5
PARTS AND FEATURES	5
Turntable	5
MICROWAVE OVEN CONTROL	6
Display	6
Start	6
Add 30 Seconds.....	7
Cancel	7
Tones.....	7
Clock	7
Timer.....	7
Control Lock.....	7
MICROWAVE OVEN USE	8
Food Characteristics	8
Cooking Guidelines	8
Cookware and Dinnerware	8
Aluminum Foil and Metal	9
Microwave Cooking Power	9
Manual Cooking	10
Cooking in Stages.....	10
Favorite.....	10
Sensor Cooking.....	10
Quick Touch Menu (sensor and non-sensor)	11
Weight/Time Defrost	12
MICROWAVE OVEN CARE	13
General Cleaning	13
TROUBLESHOOTING	14
ASSISTANCE OR SERVICE	15
In the U.S.A.	15
In Canada	15
Replacement Parts.....	15
WARRANTY	16

TABLE DES MATIÈRES

SÉCURITÉ DU FOUR À MICRO-ONDES	17
INSTRUCTIONS D'INSTALLATION	19
Déballage.....	19
Exigences d'emplacement	19
Spécifications électriques	19
PIÈCES ET CARACTÉRISTIQUES	20
Plateau rotatif	20
TABLEAU DE COMMANDE DU FOUR À MICRO-ONDES	20
Affichage.....	21
Mise en marche.....	21
Ajouter 30 secondes	21
Annuler.....	21
Signaux sonores.....	21
Horloge	21
Minuterie.....	22
Verrouillage des commandes.....	22
UTILISATION DU FOUR À MICRO-ONDES	22
Caractéristiques des aliments.....	22
Guide de cuisson.....	23
Ustensiles de cuisson et vaisselle.....	23
Papier d'aluminium et métal.....	24
Puissance de cuisson des micro-ondes.....	24
Cuisson manuelle	25
Cuisson par étapes	25
Favori	25
Cuisson par détection	25
Menu (avec détection et sans détection).....	26
Décongélation au poids/minutée	27
ENTRETIEN DU FOUR À MICRO-ONDES	28
Nettoyage général	28
DÉPANNAGE	29
ASSISTANCE OU SERVICE	30
Au Canada.....	30
Pièces de rechange.....	30
GARANTIE	31

MICROWAVE OVEN SAFETY

Your safety and the safety of others are very important.

We have provided many important safety messages in this manual and on your appliance. Always read and obey all safety messages.



This is the safety alert symbol.

This symbol alerts you to potential hazards that can kill or hurt you and others.

All safety messages will follow the safety alert symbol and either the word “DANGER” or “WARNING.”

These words mean:

⚠ DANGER

You can be killed or seriously injured if you don't immediately follow instructions.

⚠ WARNING

You can be killed or seriously injured if you don't follow instructions.

All safety messages will tell you what the potential hazard is, tell you how to reduce the chance of injury, and tell you what can happen if the instructions are not followed.

IMPORTANT SAFETY INSTRUCTIONS

When using electrical appliances basic safety precautions should be followed, including the following:

WARNING: To reduce the risk of burns, electric shock, fire, injury to persons, or exposure to excessive microwave energy:

- Read all instructions before using the microwave oven.
- Read and follow the specific “PRECAUTIONS TO AVOID POSSIBLE EXPOSURE TO EXCESSIVE MICROWAVE ENERGY” found in this section.
- The microwave oven must be grounded. Connect only to properly grounded outlet. See “GROUNDING INSTRUCTIONS” found in the “INSTALLATION INSTRUCTIONS” section.
- Install or locate the microwave oven only in accordance with the provided Installation Instructions.
- Some products such as whole eggs in the shell and sealed containers – for example, closed glass jars – are able to explode and should not be heated in the microwave oven.
- Use the microwave oven only for its intended use as described in this manual. Do not use corrosive chemicals or vapors in the microwave oven. This type of oven is specifically designed to heat, cook, or dry food. It is not designed for industrial or laboratory use.
- As with any appliance, close supervision is necessary when used by children.
- Do not operate the microwave oven if it has a damaged cord or plug, if it is not working properly, or if it has been damaged or dropped.
- The microwave oven should be serviced only by qualified service personnel. Call an authorized service company for examination, repair, or adjustment.
- See door surface cleaning instructions in the “Microwave Oven Care” section.
- To reduce the risk of fire in the oven cavity:
 - Do not overcook food. Carefully attend the microwave oven when paper, plastic, or other combustible materials are placed inside the oven to facilitate cooking.
 - Remove wire twist-ties from paper or plastic bags before placing bags in oven.
 - If materials inside the oven ignite, keep oven door closed, turn oven off, and disconnect the power cord, or shut off power at the fuse or circuit breaker panel.
 - Do not use the cavity for storage purposes. Do not leave paper products, cooking utensils, or food in the cavity when not in use.
- Liquids, such as water, coffee, or tea are able to be overheated beyond the boiling point without appearing to be boiling. Visible bubbling or boiling when the container is removed from the microwave oven is not always present. THIS COULD RESULT IN VERY HOT LIQUIDS SUDDENLY BOILING OVER WHEN THE CONTAINER IS DISTURBED OR A SPOON OR OTHER UTENSIL IS INSERTED INTO THE LIQUID.

To reduce the risk of injury to persons:

 - Do not overheat the liquid.
 - Stir the liquid both before and halfway through heating it.
 - Do not use straight-sided containers with narrow necks.
 - After heating, allow the container to stand in the microwave oven for a short time before removing the container.
 - Use extreme care when inserting a spoon or other utensil into the container.
- Oversized foods or oversized metal utensils should not be inserted in the microwave oven as they may create a fire or risk of electric shock.
- Do not clean with metal scouring pads. Pieces can burn off the pad and touch electrical parts involving a risk of electric shock.

SAVE THESE INSTRUCTIONS

IMPORTANT SAFETY INSTRUCTIONS

- Do not operate any heating or cooking appliance beneath the microwave oven.
- Do not mount microwave oven over or near any portion of a heating or cooking appliance.
- Do not use paper products when appliance is operated in convection, combination, grill or "PAN BROWN" mode (on models with such features).
- Do not store any materials, other than manufacturer's recommended accessories, in this microwave oven when not in use.
- Do not store anything directly on top of the microwave oven when the microwave oven is in operation.
- Do not cover or block any openings on the microwave oven.
- Do not store this microwave oven outdoors. Do not use the microwave oven near water - for example, near a kitchen sink, in a wet basement, or near a swimming pool, or similar locations.
- Do not immerse cord or plug in water.
- Keep cord away from heated surfaces.
- Do not let cord hang over edge of table or counter.
- Do not mount over a sink.
- Do not cover racks or any other part of the microwave oven with metal foil. This will cause overheating of the microwave oven.

SAVE THESE INSTRUCTIONS

PRECAUTIONS TO AVOID POSSIBLE EXPOSURE TO EXCESSIVE MICROWAVE ENERGY

- (a) Do not attempt to operate this oven with the door open since open-door operation can result in harmful exposure to microwave energy. It is important not to defeat or tamper with the safety interlocks.
- (b) Do not place any object between the oven front face and the door or allow soil or cleaner residue to accumulate on sealing surfaces.
- (c) Do not operate the oven if it is damaged. It is particularly important that the oven door close properly and that there is no damage to the:
 - (1) Door (bent),
 - (2) Hinges and latches (broken or loosened),
 - (3) Door seals and sealing surfaces.
- (d) The oven should not be adjusted or repaired by anyone except properly qualified service personnel.

This device complies with Part 18 of the FCC Rules.

INSTALLATION INSTRUCTIONS

Unpacking

1. Empty the microwave oven of any packing materials.
2. Clean the inside with a soft, damp cloth.
3. Check for damage, such as:
 - a door that is not lined up correctly
 - damage around the door, or
 - dents on the interior or exterior of the microwave oven.

If there is any damage, do not operate the microwave oven until a designated service technician has checked it and made any needed repairs.

NOTE: To avoid damage to the microwave oven, do not remove microwave inlet cover. See "Parts and Features."

Location Requirements

- Place the microwave oven on a cart, counter, table or shelf that is strong enough to hold the microwave oven and the food and utensils you place inside it.
- The microwave oven should be at a temperature above 50°F (10°C) for proper operation.
- Do not block the exhaust vents or air intake openings. Allow a few inches of space at the back and side of the microwave oven where the exhaust vents are located. Blocking the exhaust vents could cause damage to the microwave oven, as well as poor cooking results.
- Make sure the microwave oven legs are in place to ensure proper airflow. If vents are blocked, a sensitive thermal device may automatically turn the microwave oven off. The microwave oven should work properly once it has cooled.

Electrical Requirements

⚠ WARNING



Electrical Shock Hazard

Plug into a grounded 3 prong outlet.

Do not remove ground prong.

Do not use an adapter.

Do not use an extension cord.

Failure to follow these instructions can result in death, fire, or electrical shock.

Observe all governing codes and ordinances.

Required:

- A 120 volt, 60 Hz, AC only, 15- or 20-amp electrical supply with a fuse or circuit breaker.

Recommended:

- A time-delay fuse or time-delay circuit breaker.
- A separate circuit serving only this microwave oven.

GROUNDING INSTRUCTIONS

■ For all cord connected appliances:

The microwave oven must be grounded. In the event of an electrical short circuit, grounding reduces the risk of electric shock by providing an escape wire for the electric current. The microwave oven is equipped with a cord having a grounding wire with a grounding plug. The plug must be plugged into an outlet that is properly installed and grounded.

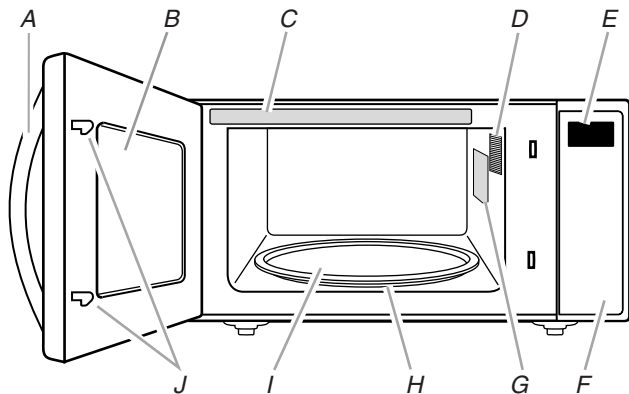
WARNING: Improper use of the grounding plug can result in a risk of electric shock. Consult a qualified electrician or serviceman if the grounding instructions are not completely understood, or if doubt exists as to whether the microwave oven is properly grounded.

Do not use an extension cord. If the power supply cord is too short, have a qualified electrician or serviceman install an outlet near the microwave oven.

SAVE THESE INSTRUCTIONS

PARTS AND FEATURES

This manual may cover several different models. The model you have purchased may have some or all of the features shown here. The appearance of your particular model may differ slightly from the illustrations in this manual.



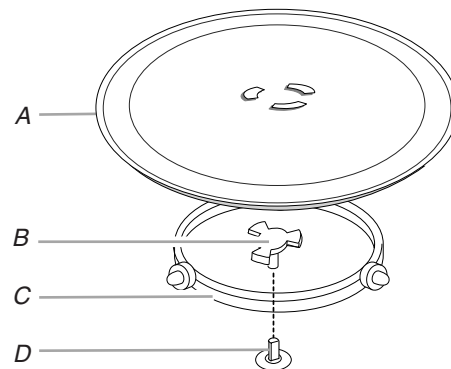
- A. Door handle (on models without push button open)
- B. Window
- C. Cooking guide label
- D. Microwave oven light
- E. Display
- F. Control panel
- G. Microwave inlet cover

- H. Removable turntable support
- I. Glass turntable
- J. Door lock system

Not shown:

Model and serial number plate (back of microwave oven)

Turntable



- A. Turntable
- B. Hub
- C. Support
- D. Shaft

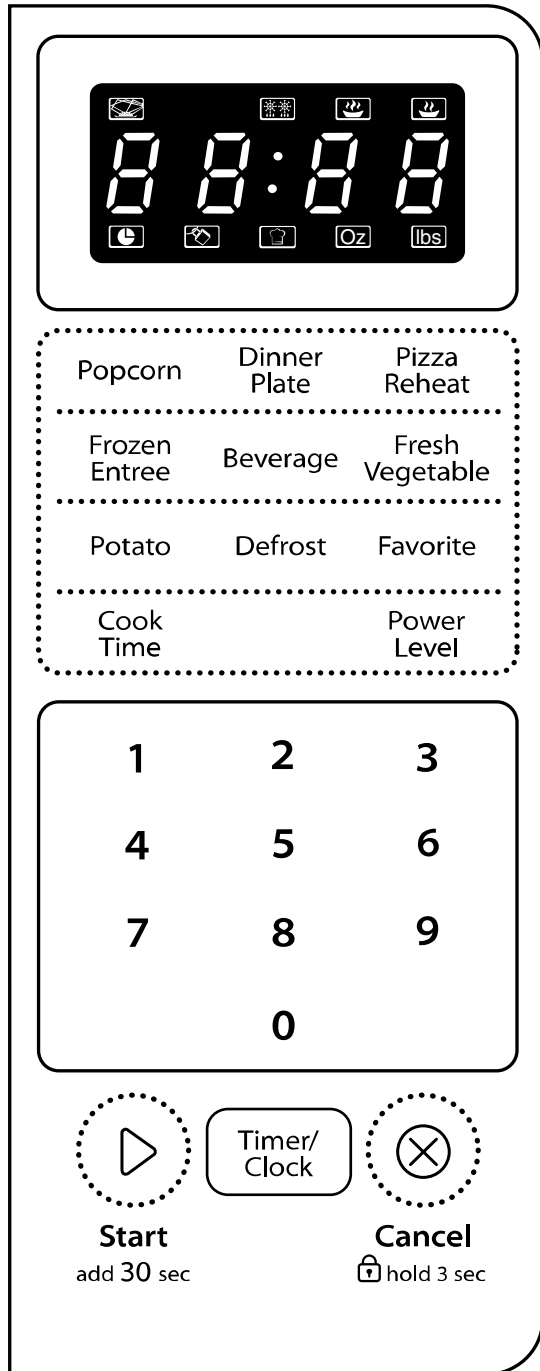
The turntable can rotate in either direction to help cook food more evenly. For best cooking results, do not operate the microwave oven without having the turntable in place. See "Assistance or Service" to reorder any of the parts.

To Install:

1. Place the support on the microwave oven cavity bottom.
2. Place the turntable on the support.

Fit the raised, curved wedges in the center of the turntable bottom between the three spokes of the hub. The rollers on the support should fit inside the turntable bottom ridge.

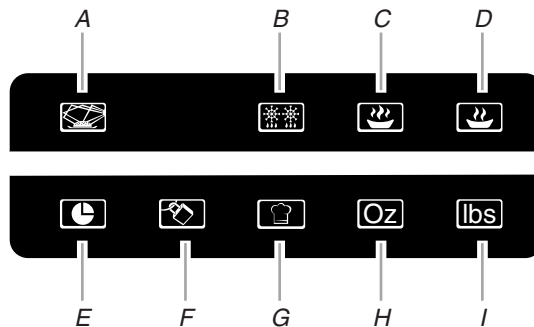
MICROWAVE OVEN CONTROL



Display

When power is first supplied to the microwave oven, "0:00" will appear in the display. If the "0:00" appears in the display at any other time, a power failure has occurred. Reset the clock if needed. See "Clock" section.

Function Icons



- A. Microwaves
- B. Defrost
- C. Power (high)
- D. Power (low to mid)
- E. Time
- F. Control lock
- G. Menu Program
- H. Ounces
- I. Pounds

The icons light up in the display while their specific functions are being programmed. While the set function is operating, the icons flash until the program is over. The control lock icon remains lit – not flashing – while the control is locked.

When the microwave oven is in use, the display will show cook time remaining, and the function icons will flash. When the microwave oven is not in use, the display will show the time of day (if the clock is set) or Timer countdown (if the Timer is set).

Start

The START control begins any function. If cooking is interrupted by opening the door, touching START will resume the cycle.

NOTE: To avoid unintentional operation of the microwave oven, a cooking function cannot be started if the microwave oven door has been closed for about 5 minutes. The word "door" will appear in the display until the door is opened and closed.

Add 30 Seconds

The ADD 30 SEC control (START pad) automatically starts the microwave oven at 100% power for 30 seconds, and adds 30 seconds of cook time with each additional touch of the control.

Time may be added to any manual cooking cycle in 30-second increments, at the current power level, by touching ADD 30 SEC during cooking.

NOTE: To avoid unintentional operation of the microwave oven, a cooking function cannot be started if the microwave oven door has been closed for about 5 minutes. The word "door" will appear in the display until the door is opened and closed.

Cancel

The CANCEL control clears any incorrect command, and cancels any program during cooking. It will not erase the time of day.

The microwave oven will also turn off when the door is opened. Close the door and touch START to resume the cycle.

The CANCEL control is also used to lock and unlock the control panel. See "Control Lock."

Tones

Tones are audible signals that cannot be turned off. These tones indicate the following:

One tone

- Valid entry
- Control lock activated or deactivated

Two tones

- End of stage in multistage cooking
- Invalid entry

Three tones

- End of Timer countdown

Five tones

- End of cycle

Clock

This is a standard 12-hour clock (12:00-11:59). The Clock cannot be erased. If the Clock is not set, "0:00" will remain in the display when the microwave oven is not in use.

To Set:

The microwave oven and Timer must be off.

1. Touch TIMER/CLOCK twice.
 2. Touch number pads to enter correct time of day.
 3. Touch TIMER/CLOCK.
-

Timer

The Timer can be set in minutes and seconds, up to 99 minutes 99 seconds, and counts down the set time.

NOTE: The Timer does not start or stop the microwave oven.

Cook functions may be used while the Timer is counting down. When the cook function is active in the display, touch TIMER/CLOCK to see the Timer count down for about 5 seconds.

To Set:

1. Touch TIMER/CLOCK.
2. Touch number pads to enter desired time.
3. Touch START.
When the set time ends, "End" will appear in the display and the end-of-Timer tones will sound.
4. Touch CANCEL while the Timer is active in the display (the time icon is flashing) to cancel the Timer.
Touching CANCEL while the cook function is active in the display cancels the cook function, not the Timer.

The time can be reset during the countdown by canceling Timer, then repeating the above steps.

Control Lock

The Control Lock disables the control panel pads to avoid unintended use of the microwave oven.

To Lock/Unlock Control: The microwave oven must be off. Touch and hold CANCEL for about 3 seconds, until the tone sounds and the control lock icon (see "Function Icons" in the "Display" section) appears in the display. Repeat to unlock.

The control lock icon will remain lit in the display until the control is unlocked.

If any control pad is touched while the control is locked, there will be no response from the control.

MICROWAVE OVEN USE

A magnetron in the microwave oven produces microwaves which reflect off the metal floor, walls and ceiling and pass through the turntable and appropriate cookware to the food. Microwaves are attracted to and absorbed by fat, sugar and water molecules in the food, causing them to move, producing friction and heat which cooks the food.

- To avoid damage to the microwave oven, do not lean on or allow children to swing on the microwave oven door.
- To avoid damage to the microwave oven, do not operate microwave oven when it is empty.
- Baby bottles and baby food jars should not be heated in microwave oven.
- Clothes, flowers, fruit, herbs, wood, gourds, paper, including brown paper bags and newspaper, should not be dried in microwave oven.
- Paraffin wax will not melt in the microwave oven because it does not absorb microwaves.
- Use oven mitts or pot holders when removing containers from microwave oven.
- Do not overcook potatoes. At the end of the recommended cook time, potatoes should be slightly firm. Let potatoes stand for 5 minutes. They will finish cooking while standing.
- Do not cook or reheat whole eggs inside the shell. Steam buildup in whole eggs may cause them to burst, requiring significant cleanup of microwave oven cavity. Cover poached eggs and allow a standing time.

Food Characteristics

When microwave cooking, the amount, size and shape, starting temperature, composition and density of the food affect cooking results.

Amount of Food

The more food heated at once, the longer the cook time needed. Check for doneness and add small increments of time if necessary.

Size and Shape

Smaller pieces of food will cook more quickly than larger pieces, and uniformly shaped foods cook more evenly than irregularly shaped food.

Starting Temperature

Room temperature foods will heat faster than refrigerated foods, and refrigerated foods will heat faster than frozen foods.

Composition and Density

Foods high in fat and sugar will reach a higher temperature, and will heat faster than other foods. Heavy, dense foods, such as meat and potatoes, require a longer cook time than the same size of a light, porous food, such as cake.

Cooking Guidelines

Covering

Covering food helps retain moisture, shorten cook time and reduce spattering. Use the lid supplied with cookware. If a lid is not available, wax paper, paper towels or plastic wrap approved for microwave ovens may be used. Plastic wrap should be turned back at one corner to provide an opening to vent steam. Condensation on the door and cavity surfaces is normal during heavy cooking.

Stirring and Turning

Stirring and turning redistribute heat evenly to avoid overcooking the outer edges of food. Stir from outside to center. If possible, turn food over from bottom to top.

Arranging

If heating irregularly shaped or different sized foods, arrange the thinner parts and smaller sized items toward the center. If cooking several items of the same size and shape, place them in a ring pattern, leaving the center of the ring empty.

Piercing

Before heating, use a fork or small knife to pierce or prick foods that have a skin or membrane, such as potatoes, egg yolks, chicken livers, hot dogs, and sausage. Prick in several places to allow steam to vent.

Shielding

Use small, flat pieces of aluminum foil to shield the thin pieces of irregularly shaped foods, bones and foods such as chicken wings, leg tips and fish tail. See "Aluminum Foil and Metal" first.

Standing Time

Food will continue to cook by the natural conduction of heat even after the microwave cooking cycle ends. The length of standing time depends on the volume and density of the food.

Cookware and Dinnerware

Cookware and dinnerware must fit on the turntable. Always use oven mitts or pot holders when handling because any dish may become hot from heat transferred from the food. Do not use cookware and dinnerware with gold or silver trim. Use the following chart as a guide, then test before using.

MATERIAL	RECOMMENDATIONS
Aluminum Foil, Metal	See "Aluminum Foil and Metal" section.
Browning Dish	Bottom must be at least 3/16" (5 mm) above the turntable. Follow manufacturer's recommendations.
Ceramic Glass, Glass	Acceptable for use.
China, Earthenware	Follow manufacturer's recommendations.

MATERIAL	RECOMMENDATIONS
Melamine	Follow manufacturer's recommendations.
Paper: Towels, Dinnerware, Napkins	Use nonrecycled and those approved by the manufacturer for microwave oven use.
Plastic: Wraps, Bags, Covers, Dinnerware, Containers	Use those approved by the manufacturer for microwave oven use.
Pottery and Clay	Follow manufacturer's recommendations.
Silicone Bakeware	Follow manufacturer's recommendations.
Straw, Wicker, Wooden Containers	Do not use in microwave oven.
Wax Paper	Acceptable for use.

To Test Cookware or Dinnerware for Microwave Use:

- Place cookware or dinnerware in microwave oven with 1 cup (250 mL) of water beside it.
- Cook at 100% cooking power for 1 minute.

Do not use cookware or dinnerware if it becomes hot and the water stays cool.

Aluminum Foil and Metal

Always use oven mitts or pot holders when removing dishes from the microwave oven.

Aluminum foil and some metal can be used in the microwave oven. If not used properly, arcing (a blue flash of light) can occur and cause damage to the microwave oven.

OK for Use

Racks and bakeware supplied with the microwave oven (on some models), aluminum foil for shielding, and approved meat thermometers may be used with the following guidelines:

- To avoid damage to the microwave oven, do not allow aluminum foil or metal to touch the inside cavity walls, ceiling or floor.
- Always use the turntable.
- To avoid damage to the microwave oven, do not allow contact with another metal object during microwave cooking.

Do Not Use

Metal cookware and bakeware, gold, silver, pewter, non-approved meat thermometers, skewers, twist ties, foil liners such as sandwich wrappers, staples and objects with gold or silver trim or a metallic glaze should not be used in the microwave oven.

Microwave Cooking Power

Many recipes for microwave cooking specify which cooking power to use by percent or name. For example, PL7=70%=Medium-High.

One of the power icons (see "Function Icons" in the "Display" section) will flash during manual cooking, depending on the power level of the cycle. To see the exact power level during a cooking cycle, touch POWER LEVEL. The display will briefly show the current power level, then will return to the cooking countdown.

Use the following chart as a general guide for the suggested cooking power of specific foods.

PERCENT/NAME	USE
100%, High, PL10 (default setting)	Quick heating convenience foods and foods with high water content, such as soups, beverages and most vegetables.
90%, PL9	Cooking small, tender pieces of meat, ground meat, poultry pieces and fish fillets. Heating cream soups.
80%, PL8	Heating rice, pasta or stirrable casseroles. Cooking and heating foods that need a cook power lower than high. For example, whole fish and meat loaf.
70%, Medium-High, PL7	Reheating a single serving of food.
60%, PL6	Cooking sensitive foods such as cheese and egg dishes, pudding and custards. Cooking non-stirrable casseroles, such as lasagna.
50%, Medium, PL5	Cooking ham, whole poultry and pot roasts. Simmering stews.
40%, PL4	Melting chocolate. Heating bread, rolls and pastries.
30%, Medium-Low, Defrost, PL3	Defrosting bread, fish, meats, poultry and precooked foods.
20%, PL2	Softening butter, cheese, and ice cream.
10%, Low, PL1	Taking chill out of fruit.

Manual Cooking

NOTE: To cook at 100% power, begin by touching number pads to enter cook time, then touch START.

To Use:

1. Place food on the turntable and close the door.
 2. Touch COOK TIME.
"00:00" will appear in the display. Enter the length of time to cook.
If cooking with 100% power, skip Step 3.
 3. Touch POWER LEVEL.
The default power level PL10 will appear in the display. Enter the desired power level. See "Microwave Cooking Power."
 4. Touch START.
When the cycle ends, "End" will appear in the display, and the end-of-cycle tones will sound.
 5. Touch CANCEL or open the door to clear the display.
-

Cooking in Stages

The microwave oven can be set to cook at different cooking powers for various lengths of time, up to 2 stages, which may include a defrosting stage. See "Defrost" to set defrosting stage.

NOTE: If a defrosting stage is programmed, it will cycle first.

To Cook in Stages:

1. Place food on the turntable, and close the door.
2. Touch COOK TIME.
"00:00" will appear in the display. Enter the length of time to cook during the first stage.
3. Touch POWER LEVEL, then enter the desired cooking power for the first stage. See "Microwave Cooking Power."
4. Repeat steps 2 and 3 for the second stage.
5. Touch START.
Two tones will sound between stages.
When the cycle ends, "End" will appear in the display, and the end-of-cycle tones will sound.
6. Touch CANCEL or open the door to clear the display.
Cook time may be added in 30-second increments during the cycling stage by touching ADD 30 SEC control.

Favorite

Use the FAVORITE control to program, store and recall the top 3 most frequently used manual cook programs. Each Favorite may have 1 or 2 stages (see "Cooking in Stages" section). In the event of a power failure, the saved Favorites will have to be reprogrammed.

To Set FAVORITE:

1. Touch FAVORITE.
"1" will appear in the display. Touch FAVORITE repeatedly to scroll through "2" and "3," until the desired Favorite program number is displayed.
2. Touch COOK TIME, then enter the cook time.
3. Touch POWER LEVEL, then enter the power level.
If programming a second stage, enter the cook time and power level for that stage (see "Cooking in Stages" section).
4. Touch FAVORITE to save program
or
Touch START to begin the programmed cycle. The program will also be saved.

To Use FAVORITE:

1. Place food on the turntable, and close the door.
 2. Touch FAVORITE repeatedly until desired program number appears in the display.
 3. Touch START.
When the cycle ends, "End" will appear in the display, and the end-of-cycle tones will sound.
 4. Touch CANCEL or open the door to clear the display.
-

Sensor Cooking

A sensor in the microwave oven detects humidity released from the food as it heats, and adjusts the cook time accordingly.

Many sensor cycles require the covering of foods. Microwave-safe containers or steamers with loose-fitting lids are recommended. The loose-fitting lid allows enough steam to escape to be detected by the sensor. When covering foods with plastic wrap, be sure to leave a large enough vent opening to allow the steam to escape.

"SC" (sensor cook) will appear in the display during sensor cooking.

NOTES:

- The microwave oven should be plugged in for at least 3 minutes.
- The microwave oven cavity and the exterior of the cooking container should be dry.
- The room temperature should not exceed 95°F (35°C).
- If the door is opened while the sensor is detecting moisture (while "SC" appears in the display), sensing will stop and the program will be canceled.

Quick Touch Menu (sensor and non-sensor)

The following menu items are preprogrammed for quick and easy cooking/reheating.

For added convenience, the available/recommended amounts shown in the following chart are included on the Cooking Guide label (see "Parts and Features" for its location).

MENU ITEM	SERVING SIZE	INSTRUCTIONS
POPCORN (non-sensor)	3.5 oz (99 g) 3.0 oz (85 g) 1.75 oz (50 g)	<ul style="list-style-type: none"> ■ To avoid damage to the microwave oven, do not use regular paper bags or glassware. ■ Pop only one package of popcorn at a time. ■ Follow manufacturer's instructions when using a microwave popcorn popper. ■ For best cooking results, do not try to pop unpopped kernels. ■ Use fresh bags of popcorn for optimal results. ■ Cooking results may vary by brand and fat content. For bag sizes not listed in this section, follow directions on the package. <p>NOTE: During Popcorn function, as with all microwave cooking functions, the microwave oven should be attended at all times. Listen for popping to slow to 1 pop every 1 or 2 seconds, then stop the cycle.</p>
PIZZA REHEAT (non-sensor)	1 to 3 slices, 3 oz (85 g) each, refrigerated	Place pizza slices on a paper towel-lined microwave-safe plate in the center of the turntable.
BEVERAGE (non-sensor, reheat)	1 or 2 cups, 8 oz (250 mL) each	Do not cover. The diameter of the cup's opening will affect how the liquid heats. Beverages in cups with smaller openings may heat faster.
FRESH VEGETABLE (non-sensor)	1 to 4 cups (250 mL to 1 L)	Place in microwave-safe container, and add 2-4 tbs (30-60 mL) water. Cover with plastic wrap, and vent. Stir and let stand 2-3 minutes after cooking.
POTATO (non-sensor)	1 to 4 potatoes, 10 oz (283 g) each	Pierce each one several times with a fork. Place on paper towel, around turntable edges, at least 1" (2.5 cm) apart. Place a single potato to the side of the turntable. Let stand 5 minutes after cooking.
DINNER PLATE (sensor, reheat)	10-16 oz (283-454 g), refrigerated	Place food on microwave-safe plate. Cover with plastic wrap, and vent*. Let stand 2-3 minutes after heating.
FROZEN ENTREE (sensor)	8-12 oz (227-340 g)	Remove from package. Loosen cover on 3 sides. If entrée is not in microwave-safe container, place on plate, cover with plastic wrap, and vent*. Let stand 2-3 minutes after cooking.

*When covering foods, make sure the vent opening is large enough for the moisture to escape. This will allow the sensor to accurately determine cooking time.

To Use Quick Touch Non-sensor Menu (Popcorn, Pizza Reheat, Beverage, Fresh Vegetable, Potato):

1. Place food on the turntable, and close the door.
2. Touch desired menu control.
The first programmed amount will appear in the display. Touch control pad repeatedly to change quantity. See chart.
3. Touch START.
When the cycle ends, "End" will appear in the display, and the end-of-cycle tones will sound.
4. Touch CANCEL or open the door to clear the display.

To Use Quick Touch Sensor Menu (Dinner Plate, Frozen Entrée):

1. Place food on the turntable, and close the door.
2. Touch the desired menu control.
"SC" (sensor cook) will appear in the display.
3. Touch START.
The microwave oven will start, and the sensor cooking will begin. "SC" will remain in the display during cooking.
When the cycle ends, "End" will appear in the display, and the end-of-cycle tones will sound.
4. Touch CANCEL or open the door to clear the display.

Defrost

The Weight Defrost feature's preset programs can be used, the Timed Defrost feature can be used, or the microwave oven can be manually set to defrost.

- Unwrap foods and remove lids (for example, from fruit juice containers) before defrosting.
 - Shallow packages will defrost more quickly than deep blocks.
- Separate food pieces as soon as possible during or at the end of the cycle for more even defrosting.
 - Use small pieces of aluminum foil to shield parts of food such as chicken wings, leg tips and fish tails. See "Aluminum Foil and Metal" first.

Weight Defrost

The Weight Defrost feature has preset times and cook powers for 3 categories: Meat, Poultry and Fish. It should not be used for food that has been left outside the freezer for more than 20 minutes, or for frozen ready-made food.

Timed Defrost

Timed Defrost does not have a preset program, but uses only 30% (PL3) cooking power.

DEFROST	FOODS	INSTRUCTIONS
DEF1 - Meat (By weight)	Beef (ground, steaks, roast, stew) Lamb (stew and chops) Pork (chops, ribs, roasts sausage)	The narrow or fatty areas of irregular shaped cuts should be shielded with foil before defrosting. Do not defrost less than 1/4 lb (113 g) or two 4 oz (113 g) patties. Place all meats in microwave-safe baking dish. Do not cover.
DEF2 - Poultry (By weight)	Chicken (whole and cut up) Cornish hens Turkey breast	Place in microwave-safe baking dish, chicken breast side up. Do not cover.
DEF3 - Fish (By weight)	Filletts Steaks Whole shellfish	Place in microwave-safe baking dish. Do not cover.
DEF4 (By time)	Various	Place in microwave-safe baking dish. Do not cover.

To Use Weight Defrost:

1. Place food, uncovered, on the turntable and close the door.
2. Touch DEFROST.
"dEF1" will appear in the display. Touch DEFROST a second time for "dEF2," or a third time for "dEF3," if defrosting poultry or fish. See chart.
To select your desired program, touch START or wait 5 seconds, and the prompt for entering weight will appear in the display.
3. Enter the weight.
Weight can be set from 0.3 lb to 6.3 lbs (136 g to 2.86 kg).
4. Touch START.
The display will count down the defrost time.
The cycle may be interrupted briefly to turn food, if necessary, by opening the door. Close the door and touch START to resume the cycle.
When the cycle ends, "End" will appear in the display, and the end-of-cycle tones will sound.
5. Touch CANCEL or open the door to clear the display.

To Use Timed Defrost:

1. Place food, uncovered, on the turntable and close the door.
 2. Touch DEFROST four times.
"dEF4" will appear in the display.
 3. Touch START, or wait 5 seconds, and the prompt for entering time will appear in the display.
 4. Enter the time in minutes and seconds.
 5. Touch START.
The display will count down the defrost time.
The cycle may be interrupted briefly to turn food, if necessary, by opening the door. Close the door and touch START to resume the cycle.
When the cycle ends, "End" will appear in the display, and the end-of-cycle tones will sound.
 6. Touch CANCEL or open the door to clear the display.
- To Defrost Manually:** Follow direction in "Manual Cooking" section, and use 30% cooking power. See "Microwave Cooking Power" chart.

MICROWAVE OVEN CARE

General Cleaning

IMPORTANT: Before cleaning, make sure all controls are off and the microwave oven is cool. Always follow label instructions on cleaning products.

Soap, water and a soft cloth or sponge are suggested unless otherwise noted.

MICROWAVE OVEN CAVITY

To avoid damage to the microwave oven cavity, do not use soap-filled scouring pads, abrasive cleaners, steel-wool pads, gritty washcloths or some recycled paper towels.

To avoid damage to stainless steel models, rub in direction of grain.

The area where the microwave oven door and frame touch when closed should be kept clean.

Average soil

- Mild, nonabrasive soaps and detergents:
Rinse with clean water and dry with soft, lint-free cloth.

Heavy soil

- Mild, nonabrasive soaps and detergents:
Heat 1 cup (250 mL) of water for 2 to 5 minutes in microwave oven. Steam will soften soil. Rinse with clean water and dry with soft, lint-free cloth.

Odors

- Lemon juice or vinegar:
Heat 1 cup (250 mL) of water with 1 tbs (15 mL) of either lemon juice or vinegar for 2 to 5 minutes in microwave oven.

Microwave Inlet Cover

To avoid arcing and microwave oven damage, the microwave inlet cover (see "Parts and Features") should be kept clean.

- Wipe with wet cloth.

MICROWAVE OVEN DOOR AND EXTERIOR

The area where the microwave oven door and frame touch when closed should be kept clean.

- Mild, nonabrasive soaps and detergents:
Rinse with clean water and dry with soft, lint-free cloth.
- Glass cleaner and paper towels or nonabrasive plastic scrubbing pad:
Apply glass cleaner to towel, not directly to surface.

Stainless Steel (on some models)

To avoid damage to microwave oven door and exterior, do not use soap-filled scouring pads, abrasive cleaners, steel-wool pads, gritty washcloths or some paper towels. Rub in direction of grain.

- Stainless Steel Cleaner and Polish (not included):
See "Assistance or Service" section to order.
- Liquid detergent or all-purpose cleaner:
Rinse with clean water and dry with soft, lint-free cloth.
- Vinegar for hard water spots

CONTROL PANEL

- Sponge or soft cloth and water:
Dampen sponge with water and wipe panel. Dry with soft cloth.
- To avoid damage to the control panel, do not use chemical or abrasive cleansers.

TURNTABLE

Replace turntable immediately after cleaning. Do not operate the microwave oven without the turntable in place.

- Mild cleanser and scouring pad
- Dishwasher

TROUBLESHOOTING

Try the solutions suggested here first in order to avoid the cost of an unnecessary service call.

Nothing will operate

- **Has a household fuse blown, or has a circuit breaker tripped?**
Replace the fuse or reset the circuit breaker. If the problem continues, call an electrician.

Microwave oven will not operate

- **Is the magnetron working properly?**
Try to heat 1 cup (250 mL) of cold water for 2 minutes at 100% cooking power. If water does not heat, try the steps in the bullets below. If microwave oven still does not operate, call for service. See "Assistance or Service" section.
- **Is the door completely closed?**
Firmly close door.
- **Is a packaging spacer (on some models) attached to the inside of the door?**
Remove packaging spacer, then firmly close door.
- **Is the electronic microwave oven control set correctly?**
See "Microwave Oven Control" section.
- **Is the Control Lock set?**
See "Control Lock" section.
- **Does "door" appear in the display?**
Open and close the microwave oven door, and then touch START. See "Start" section.

Microwave oven makes humming noise

- This is normal and occurs when the power supply in the magnetron cycles on.

Microwave oven door looks wavy

- This is normal and will not affect performance.

Turntable will not operate

- **Is the turntable properly in place?**
Make sure turntable is correct side up and is sitting securely on the turntable support. See "Turntable" section.
- **Is the turntable support operating properly?**
Remove turntable. Remove and clean turntable hub, support and rollers. Replace hub, support and turntable. Place 1 cup (250 mL) of water on the turntable, then restart microwave oven. If it still is not working, call for service. See "Assistance or Service" section. Do not operate the microwave oven without turntable and turntable support working properly.

Turntable alternates rotation directions

- This is normal and depends on motor rotation at beginning of cycle.

Display shows messages

- **Is the display showing "0:00"?**
There has been a power failure or the Clock time has been turned off. See "Display" section to clear display. See "Clock" section to reset or turn on Clock.

Display shows time countdown, but the microwave oven is not operating

- **Is the Timer in use?**
See "Timer" section.

Cooking times seem too long

- **Is the cooking power set properly?**
See "Microwave Cooking Power" section.
- **Are large amounts of food being heated?**
Larger amounts of food need longer cooking times.
- **Is the incoming voltage less than that specified in "Electrical Requirements?"**
Have a qualified electrician check the electrical system in the home.

Interference with radio, TV, cordless phone, etc.

- **Is the microwave oven plugged into the same outlet?**
Try a different outlet for the electronic device.
- **Is the radio or TV receiver near the microwave oven?**
Move the receiver away from the microwave oven, or adjust the radio or TV antenna.
- **Are the microwave oven door and sealing surfaces clean?**
Make sure these areas are clean.
- **Is the cordless phone frequency 2.4 GHz?**
Some 2.4 GHz-based cordless phones and home wireless networks may experience static or noise while the microwave oven is on. Use a corded phone or a different frequency cordless phone, or avoid using these items during microwave oven operation.

ASSISTANCE OR SERVICE

Before calling for assistance or service, please check "Troubleshooting." It may save you the cost of a service call. If you still need help, follow the instructions below.

When calling, please know the purchase date and the complete model and serial number of your appliance. This information will help us to better respond to your request.

If you need replacement parts

If you need to order replacement parts, we recommend that you use only FSP® replacement parts. FSP® replacement parts will fit right and work right because they are made with the same precision used to build every new WHIRLPOOL® appliance.

To locate FSP® replacement parts in your area, call us or your nearest Whirlpool designated service center.

In the U.S.A.

Call the Whirlpool Customer eXperience Center toll free: **1-800-253-1301**.

Our consultants provide assistance with:

- Features and specifications on our full line of appliances.
- Installation information.
- Use and maintenance procedures.
- Accessory and repair parts sales.
- Specialized customer assistance (Spanish speaking, hearing impaired, limited vision, etc.).
- Referrals to local dealers, repair parts distributors and service companies. Whirlpool designated service technicians are trained to fulfill the product warranty and provide after-warranty service, anywhere in the United States.

To locate the Whirlpool designated service company in your area, you can also look in your telephone directory Yellow Pages.

For further assistance

If you need further assistance, you can write to Whirlpool Corporation with any questions or concerns at:

Whirlpool Brand Home Appliances
Customer eXperience Center
553 Benson Road
Benton Harbor, MI 49022-2692

Please include a daytime phone number in your correspondence.

In Canada

Call the Whirlpool Canada LP Customer eXperience Centre toll free: **1-800-807-6777**.

Our consultants provide assistance with:

- Features and specifications on our full line of appliances.
- Use and maintenance procedures.
- Accessory and repair parts sales.
- Referrals to local dealers, repair parts distributors, and service companies. Whirlpool Canada LP designated service technicians are trained to fulfill the product warranty and provide after-warranty service, anywhere in Canada.

For further assistance

If you need further assistance, you can write to Whirlpool Canada LP with any questions or concerns at:

Customer eXperience Centre
Whirlpool Canada LP
200 - 6750 Century Ave.
Mississauga, Ontario L5N 0B7

Please include a daytime phone number in your correspondence.

Replacement Parts

Glass Turntable
Part Number W10451785

Turntable Support and Rollers
Part Number W10451791

Turntable Hub
Part Number W10451787

Cleaning Supplies

affresh™ Kitchen Appliance
Cleaner

Part Number W10355010

affresh™ Stainless Steel
Cleaner

Part Number W10355016

affresh™ Stainless Steel Wipes
Part Number W10355049

Heavy Duty Degreaser
Part Number 31552A

WHIRLPOOL® COUNTERTOP MICROWAVE LIMITED WARRANTY

ONE YEAR LIMITED WARRANTY

For one year from the original date of purchase, when this microwave is installed, operated and maintained according to instructions attached to or furnished with the product, Whirlpool Corporation or Whirlpool Canada LP (hereafter "Whirlpool") will, at its sole option, either pay for factory specified parts and repair labor to correct defects in materials or workmanship or replace the product. If replaced, the unit will be covered by the remaining one-year limited warranty of the original unit. See service instructions below.

YOUR SOLE AND EXCLUSIVE REMEDY UNDER THE LIMITED WARRANTY SHALL BE PRODUCT REPAIR OR REPLACEMENT AT OUR DISCRETION AS PROVIDED HEREIN. Service must be provided by a Whirlpool designated service company. This limited warranty is valid in the United States or Canada and applies only when the microwave is used in the country in which it was purchased. This limited warranty is effective from the date of the original consumer purchase. Proof of original purchase date is required to obtain service or replacement under this limited warranty.

ITEMS EXCLUDED FROM WARRANTY

1. Service calls to correct the installation of your microwave, to instruct you how to use your product, to replace or repair house fuses, reset circuit breakers or to correct house wiring or plumbing.
2. Service calls to repair or replace light bulbs. Consumable parts are excluded from warranty coverage.
3. In-home service. Your microwave must be shipped to a Whirlpool designated service company.
4. Repairs or replacement when your microwave is used for other than normal, single-family household use or when it is used in a manner contrary to published user or operator instructions and/or installation instructions.
5. Damage resulting from accident, alteration, misuse, abuse, fire, flood, acts of God, improper installation, installation not in accordance with electrical or plumbing codes, or use of consumables or cleaning products not approved by Whirlpool Corporation.
6. Cosmetic damage, including scratches, dents, chips or other damage to the finish of your microwave, unless such damage results from defects in materials or workmanship and is reported to Whirlpool within 30 days from the date of purchase.
7. Any food loss due to microwave product failure.
8. Repairs to parts or systems resulting from unauthorized modifications made to the appliance.
9. Microwaves with original model/serial numbers that have been removed, altered or cannot be easily determined. This warranty is void if the factory applied serial number has been altered or removed from your appliance.

The cost of repair or replacement under these excluded circumstances shall be borne by the customer.

If you reside in the United States and your Whirlpool Countertop Microwave should cease to operate within the first year of ownership:

1. Call our Customer eXperience Center at **1-800-253-1301** (toll-free).
 2. Give the consultant your model, serial number and shipping address.
 3. The consultant will advise whether the microwave qualifies for repair or replacement.
 4. In the event of repair, you may be directed to forward the product to a Whirlpool designated service center. You are responsible for insurance and freight to the designated service center. Please include your name and address on a piece of paper, along with a copy of the proof of purchase (register receipt, charge slip, etc.). The microwave should be properly packaged to avoid damage in transit as we will not be responsible for any such damage.
 5. Whirlpool will return the repaired unit or, at our option, an identical or comparable microwave to your door free of charge.
-

DISCLAIMER OF IMPLIED WARRANTIES

IMPLIED WARRANTIES, INCLUDING ANY IMPLIED WARRANTY OF MERCHANTABILITY OR IMPLIED WARRANTY OF FITNESS FOR A PARTICULAR PURPOSE, ARE LIMITED TO ONE YEAR OR THE SHORTEST PERIOD ALLOWED BY LAW. Some states and provinces do not allow limitations on the duration of implied warranties of merchantability or fitness, so this limitation may not apply to you. This warranty gives you specific legal rights, and you also may have other rights that vary from state to state or province to province.

LIMITATION OF REMEDIES; EXCLUSION OF INCIDENTAL AND CONSEQUENTIAL DAMAGES

YOUR SOLE AND EXCLUSIVE REMEDY UNDER THE LIMITED WARRANTY SHALL BE PRODUCT REPAIR OR REPLACEMENT AT OUR DISCRETION AS PROVIDED HEREIN. WHIRLPOOL SHALL NOT BE LIABLE FOR INCIDENTAL OR CONSEQUENTIAL DAMAGES. Some states and provinces do not allow the exclusion or limitation of incidental or consequential damages, so these limitations may not apply to you. This warranty gives you specific legal rights, and you also may have other rights that vary from state to state or province to province.

Outside the 50 United States and Canada, this warranty does not apply. Contact your authorized Whirlpool dealer to determine if another warranty applies.

If you need service, first see the "Troubleshooting" section of the Use & Care Guide. Additional help can be found by checking the "Assistance or Service" section or by calling Whirlpool. In the U.S.A call **1-800-253-1301**. In Canada call **1-800-807-6777**.

6/10

Keep this book and your sales slip together for future reference. You must provide proof of purchase or installation date for in-warranty service.

Write down the following information about your major appliance to better help you obtain assistance or service if you ever need it. You will need to know your complete model number and serial number. You can find this information on the model and serial number label located on the product.

Dealer name _____
Address _____
Phone number _____
Model number _____
Serial number _____
Purchase date _____

SÉCURITÉ DU FOUR À MICRO-ONDES

Votre sécurité et celle des autres est très importante.

Nous donnons de nombreux messages de sécurité importants dans ce manuel et sur votre appareil ménager. Assurez-vous de toujours lire tous les messages de sécurité et de vous y conformer.



Voici le symbole d'alerte de sécurité.

Ce symbole d'alerte de sécurité vous signale les dangers potentiels de décès et de blessures graves à vous et à d'autres.

Tous les messages de sécurité suivront le symbole d'alerte de sécurité et le mot "DANGER" ou "AVERTISSEMENT". Ces mots signifient :

⚠ DANGER

Risque possible de décès ou de blessure grave si vous ne suivez pas immédiatement les instructions.

⚠ AVERTISSEMENT

Risque possible de décès ou de blessure grave si vous ne suivez pas les instructions.

Tous les messages de sécurité vous diront quel est le danger potentiel et vous disent comment réduire le risque de blessure et ce qui peut se produire en cas de non-respect des instructions.

IMPORTANTES INSTRUCTIONS DE SÉCURITÉ

Lors de l'utilisation de tout appareil ménager électrique on doit observer certaines précautions de sécurité fondamentales, dont les suivantes :

AVERTISSEMENT : Pour réduire le risque de brûlures, de choc électrique, d'incendie, de blessures et l'exposition excessive à l'énergie des micro-ondes :

- Lire la totalité des instructions avant d'utiliser le four à micro-ondes.
- Lire et observer les instructions spécifiques de "PRÉCAUTIONS CONTRE LE RISQUE D'EXPOSITION EXCESSIVE À L'ÉNERGIE DES MICRO-ONDES" dans cette section.
- Le four à micro-ondes doit être relié à la terre. Brancher l'appareil uniquement sur une prise de courant convenablement reliée à la terre. Voir les "INSTRUCTIONS DE LIAISON À LA TERRE" présentées dans la section "INSTRUCTIONS D'INSTALLATION".
- Installer ou placer le four à micro-ondes uniquement selon les instructions d'installation fournies.
- Certains produits, comme les oeufs entiers dans leur coquille et les récipients fermés – par exemple les bocaux en verre fermés – peuvent exploser et on ne doit pas les faire chauffer dans le four à micro-ondes.
- Utiliser le four à micro-ondes uniquement pour les applications auxquelles il est destiné, telles qu'elles sont décrites dans ce manuel. Ne pas utiliser de vapeurs ou de produits chimiques corrosifs dans le four à micro-ondes. Ce type de four est spécifiquement conçu pour chauffer, cuire ou sécher des aliments. Il n'est pas conçu pour des applications industrielles ou de laboratoire.
- Comme pour tout appareil ménager, les enfants ne devraient utiliser ce four que sous une supervision adéquate.
- Ne pas faire fonctionner le four à micro-ondes si le cordon d'alimentation ou la fiche de branchement est endommagé, s'il ne fonctionne pas correctement, s'il a subi des dommages ou s'il est tombé.
- Tous les travaux de service doivent être exécutés exclusivement par un personnel d'entretien qualifié. Contacter un centre de service autorisé pour les opérations d'inspection, de réparation ou de réglage.
- Voir les instructions de nettoyage de la surface de la porte à la section "Entretien du four à micro-ondes".
- Pour réduire le risque d'incendie dans la cavité du four :
 - Ne pas faire cuire les aliments excessivement. Surveiller attentivement le four à micro-ondes après y avoir placé des produits en papier, en plastique ou autres matériaux combustibles pour faciliter la cuisson des aliments.
 - Enlever les attaches métalliques des sachets en papier ou en plastique avant de placer de tels sachets dans le four.
 - En cas d'inflammation de matériaux placés à l'intérieur du four, maintenir la porte du four fermée, arrêter le four, débrancher le four, ou interrompre l'alimentation électrique au niveau du tableau de distribution (fusible ou disjoncteur).
 - Ne pas utiliser la cavité du four comme espace de rangement. Ne pas laisser dans le four des produits en papier, ustensiles de cuisine ou produits alimentaires, lorsqu'il n'est pas utilisé.
- Les aliments trop volumineux ou des ustensiles en métal de grande taille ne doivent pas être insérés dans le four à micro-ondes car ils peuvent créer un incendie ou un risque de choc électrique.

CONSERVEZ CES INSTRUCTIONS

IMPORTANTES INSTRUCTIONS DE SÉCURITÉ

- Les liquides tels que l'eau, le café ou le thé peuvent trop chauffer – au-delà du point d'ébullition – sans sembler bouillir. Il n'y a pas toujours des bulles ou une ébullition lorsqu'on retire le récipient du four à micro-ondes. À CAUSE DE CECI, DES LIQUIDES TRÈS CHAUDS POURRAIENT DÉBORDER LORSQU'ON BOUGE LE RÉCIPIENT OU QUE L'ON UTILISE UNE CUILLÈRE OU UN AUTRE USTENSILE POUR LE REMUER.
Pour réduire le risque de blessures corporelles :
 - Ne pas trop faire chauffer le liquide.
 - Remuer le liquide avant et pendant le chauffage.
 - Ne pas utiliser de récipients à parois droites avec des ouvertures étroites.
 - Une fois chaud, laisser le récipient dans le four à micro-ondes un moment avant de le retirer.
 - Faire très attention lorsqu'on utilise une cuillère ou un autre ustensile dans le récipient.
- Ne pas faire fonctionner un appareil de chauffage ou de cuisson sous le four à micro-ondes.
- Ne pas installer le four à micro-ondes au-dessus ou près de toute portion d'un appareil de chauffage ou de cuisson.
- Ne pas nettoyer avec des tampons métalliques à récurer. Des pièces peuvent se détacher du tampon en brûlant et venir en contact avec des pièces électriques qui pourraient causer un risque de choc électrique.
- Ne pas utiliser de produits en papier lorsque l'on fait fonctionner l'appareil au mode de convection, en combiné, ou mode de gril ou "PAN BROWN" (brunissage à la poêle) (sur les modèles équipés de ces caractéristiques).
- Ne pas remiser des matériaux autres que les accessoires recommandés par le fabricant dans ce four à micro-ondes lorsqu'il n'est pas utilisé.
- Veiller à ne rien remiser directement sur le four à micro-ondes lorsqu'il est en service.
- Ne pas couvrir ni obstruer toute ouverture sur le four à micro-ondes.
- Ne pas remiser ce four à micro-ondes à l'extérieur. Ne pas utiliser le four à micro-ondes à proximité d'eau - par exemple, près d'un évier de cuisine, dans un sous-sol humide ou près d'une piscine ou à un emplacement similaire.
- Ne pas immerger le cordon ou la fiche de branchement dans l'eau.
- Garder le cordon d'alimentation loin des surfaces chauffées.
- Ne pas laisser le cordon d'alimentation pendre sur le bord d'une table ou d'un comptoir.
- Ne pas faire le montage au-dessus d'un évier.
- Ne pas couvrir les grilles ou autre partie du four à micro-ondes avec du papier métallique. Cette action causera un surchauffage du four à micro-ondes.

CONSERVEZ CES INSTRUCTIONS

PRÉCAUTIONS CONTRE LE RISQUE D'EXPOSITION EXCESSIVE À L'ÉNERGIE DES MICRO-ONDES

- (a) Ne pas tenter de faire fonctionner ce four lorsque la porte est ouverte, car ceci pourrait susciter une exposition dangereuse à l'énergie des micro-ondes. Il est important de ne pas entraver le fonctionnement correct du dispositif de verrouillage de sécurité.
- (b) Ne pas placer d'objet entre la surface avant du four et la porte, et ne jamais laisser des souillures ou résidus de produits de nettoyage s'accumuler sur les surfaces d'étanchéité.
- (c) Ne pas faire fonctionner le four lorsqu'il est endommagé. Il est particulièrement important que la porte du four ferme convenablement et que les composants suivants ne soient pas endommagés :
 - (1) Porte (déformation),
 - (2) Charnières et dispositif de verrouillage (brisés ou desserrés),
 - (3) Joints de porte et surfaces d'étanchéité.
- (d) Seul un personnel d'entretien qualifié est habilité à exécuter des réparations ou réglages sur cet appareil.

Ce dispositif est conforme à la section 18 des règlements FCC.

INSTRUCTIONS D'INSTALLATION

Déballage

1. Ôter du four à micro-ondes tous les matériaux d'emballage divers.
2. Nettoyer l'intérieur du four avec un chiffon doux humide.
3. Vérifier l'absence de dommages tels que :
 - porte qui n'est pas alignée correctement
 - dommages autour de la porte, ou
 - bosses à l'intérieur ou à l'extérieur du four à micro-ondes.

En cas de dommage quelconque, ne pas faire fonctionner le four à micro-ondes avant qu'un technicien de service désigné n'ait vérifié le four et ait effectué les réparations nécessaires.

REMARQUE : Pour éviter d'endommager le four à micro-ondes, ne pas retirer le couvercle d'entrée micro-ondes. Voir la section "Pièces et caractéristiques".

Exigences d'emplacement

- Placer le four à micro-ondes sur un chariot, un plan de travail, une table ou une tablette suffisamment solide pour supporter le four à micro-ondes ainsi que les aliments et ustensiles placés à l'intérieur.
- Le four à micro-ondes doit se trouver à une température supérieure à 50°F (10°C) pour un fonctionnement correct.
- Ne pas obstruer les conduits d'évacuation ou les ouvertures de prise d'air. Laisser quelques centimètres à l'arrière et le côté du four à micro-ondes à l'emplacement des conduits d'évacuation. L'obstruction des conduits d'évacuation peut entraîner des dommages au four à micro-ondes, de même que de médiocres résultats de cuisson.
- Veiller à ce que les pieds du four à micro-ondes soient bien en place pour assurer un flux d'air approprié. Si les conduits sont obstrués, un dispositif de sécurité thermique sensible peut commander l'extinction automatique du four à micro-ondes. Le four à micro-ondes devrait fonctionner correctement une fois refroidi.

Spécifications électriques

⚠ AVERTISSEMENT



Risque de choc électrique

Brancher sur une prise à 3 alvéoles reliée à la terre.

Ne pas enlever la broche de liaison à la terre.

Ne pas utiliser un adaptateur.

Ne pas utiliser un câble de rallonge.

Le non-respect de ces instructions peut causer un décès, un incendie ou un choc électrique.

Observer les dispositions de tous les codes et règlements en vigueur.

Nécessaire :

- Une alimentation électrique de 120 volts, 60 Hz, CA seulement, 15 ou 20 ampères, protégée par fusibles ou disjoncteur.

Recommandé :

- Un fusible temporisé ou un disjoncteur temporisé.
- Un circuit distinct exclusif à ce four à micro-ondes.

INSTRUCTIONS DE LIAISON À LA TERRE

■ Pour tout appareil ménager connecté par un cordon de courant électrique :

Il faut que le four à micro-ondes soit relié à la terre. En cas de court-circuit électrique, la liaison à la terre réduit le risque de choc électrique car le courant électrique dispose d'un itinéraire direct d'acheminement à la terre. Le four à micro-ondes est doté d'un cordon de courant électrique qui comporte un fil de liaison à la terre, avec broche de liaison à la terre. On doit brancher la fiche sur une prise de courant convenablement installée et reliée à la terre.

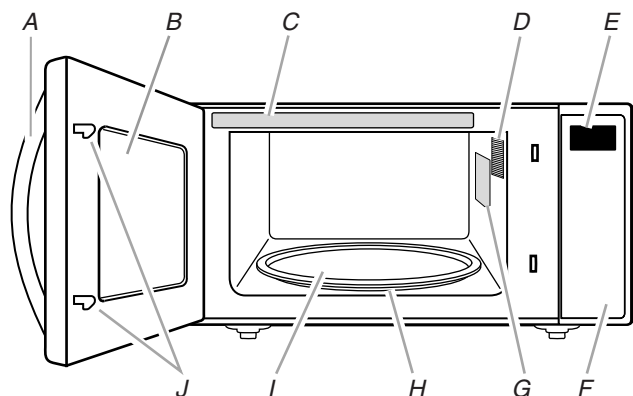
AVERTISSEMENT : L'utilisation incorrecte du dispositif de liaison à la terre peut susciter un risque de choc électrique. L'utilisateur qui ne comprend pas bien les instructions de liaison à la terre, ou qui n'est pas certain que le four à micro-ondes soit convenablement relié à la terre, devrait consulter un électricien ou un technicien qualifié.

Ne pas utiliser un câble de rallonge. Si le cordon de courant électrique est trop court, demander à un électricien ou un technicien qualifié d'installer une prise de courant à proximité du four à micro-ondes.

CONSERVEZ CES INSTRUCTIONS

PIÈCES ET CARACTÉRISTIQUES

Ce manuel peut couvrir différents modèles. Le four que vous avez acheté peut avoir certaines ou toutes les caractéristiques énumérées. L'apparence des caractéristiques illustrées ici peut ne pas correspondre exactement à celle de votre modèle.



A. Poignée de porte (sur les modèles sans bouton-poussoir pour ouverte)

B. Hublot

C. Étiquette du guide de cuisson

D. Lampe du four à micro-ondes

E. Affichage

F. Tableau de commande

G. Couverture - orifice d'introduction des micro-ondes

H. Support amovible du plateau rotatif

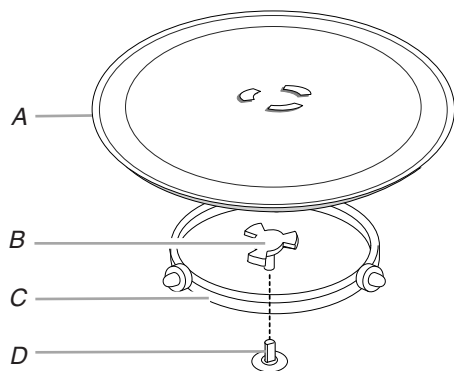
I. Plateau rotatif en verre

J. Système de verrouillage de la porte

Non illustrée :

Plaque signalétique des numéros de modèle et de série (derrière du four à micro-ondes)

Plateau rotatif



A. Plateau rotatif

B. Axe

C. Support

D. Arbre

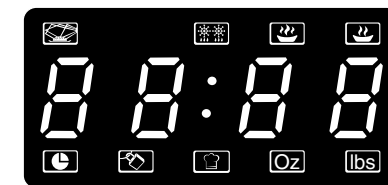
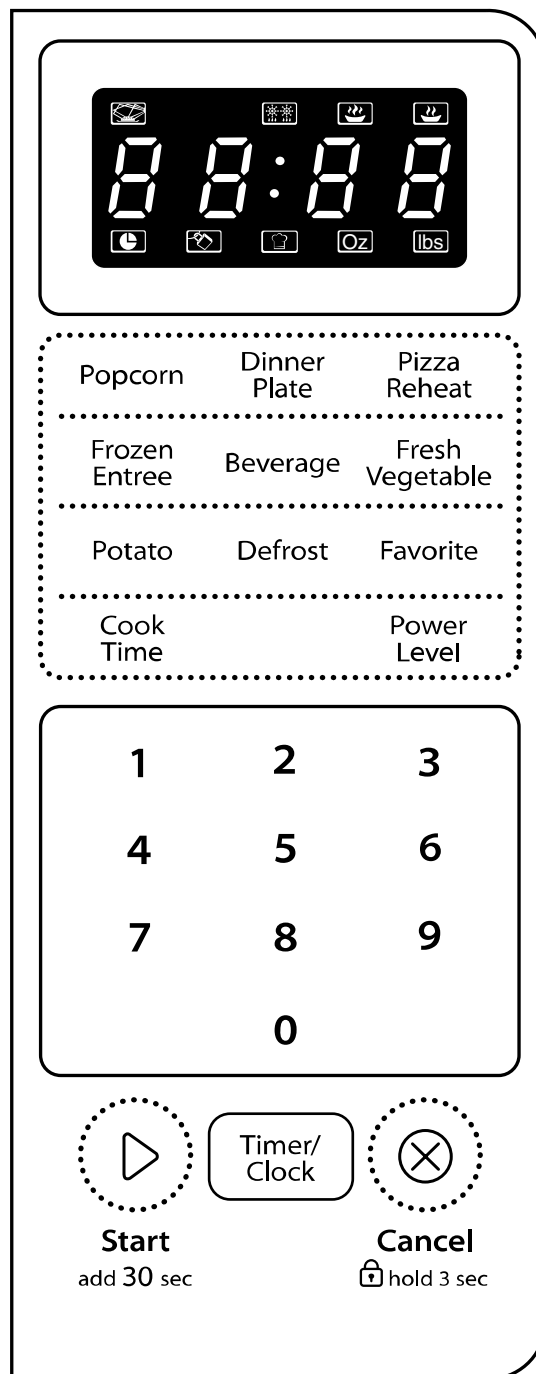
Le plateau rotatif tourne dans les deux sens pour permettre une cuisson plus uniforme. Pour les meilleurs résultats de cuisson, ne pas faire fonctionner le four à micro-ondes sans que le plateau rotatif ne soit en place. Voir "Assistance ou service" pour passer une nouvelle commande de pièces.

Installation :

1. Placer le support sur le fond de la cavité du four à micro-ondes.
2. Placer le plateau rotatif sur le support.

Insérer les protubérances arrondies au centre du dessous du plateau rotatif entre les trois rayons de l'axe. Les roulettes sur le support devraient se loger à l'intérieur du pourtour cranté du dessous du plateau rotatif.

TABLEAU DE COMMANDE DU FOUR À MICRO-ONDES



Popcorn Dinner Plate Pizza Reheat

Frozen Entree Beverage Fresh Vegetable

Potato Defrost Favorite

Cook Time Power Level

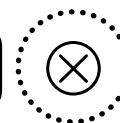
1 2 3
4 5 6
7 8 9
0



Start
add 30 sec



Timer/
Clock

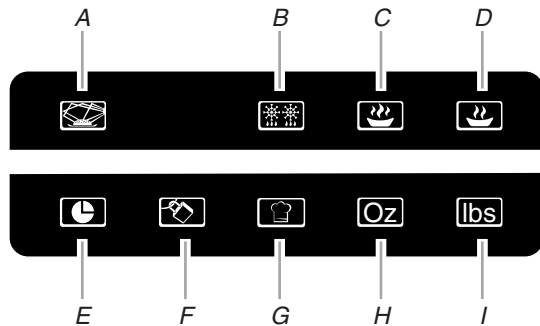


Cancel
hold 3 sec

Affichage

Lors de la mise sous tension initiale du four à micro-ondes, "0:00" apparaît sur l'affichage. Si "0:00" s'affiche à tout autre moment, une panne de courant s'est produite. Régler de nouveau l'horloge si nécessaire. Voir la section "Horloge".

Icônes de fonction



- | | |
|---------------------------------|-------------------------------|
| A. Micro-ondes | F. Verrouillage des commandes |
| B. Décongélation | G. Programme de menu |
| C. Puissance (élevée) | H. Onces |
| D. Puissance (faible à moyenne) | I. Livres |
| E. Temps | |

Les icônes s'allument sur l'affichage tandis que la programmation de leurs fonctions respectives s'effectue. Alors que la fonction programmée fonctionne, les icônes clignotent jusqu'à ce que le programme soit terminé. Lorsque le tableau de commande est verrouillé, l'icône de verrouillage des commandes reste allumée - elle ne clignote pas.

Lorsque le four à micro-ondes est en usage, l'affichage indiquera la durée de cuisson résiduelle, et les icônes des fonctions clignotent. Lorsque le four à micro-ondes n'est pas en usage, l'affichage indiquera l'heure (si l'horloge est réglée) ou le compte à rebours de la minuterie (si la minuterie est réglée).

Mise en marche

La commande START (mise en marche) active n'importe quelle fonction. Si la cuisson est interrompue par l'ouverture de la porte, appuyer sur START (mise en marche) pour poursuivre le programme.

REMARQUE : Pour éviter l'utilisation involontaire du four à micro-ondes, il est impossible de lancer une fonction de cuisson si la porte du four à micro-ondes a été fermée pendant environ 5 minutes. Le mot "door" (porte) apparaît sur l'affichage jusqu'à ce que l'on ouvre puis referme la porte.

Ajouter 30 secondes

La touche ADD 30 SEC (ajouter 30 secondes) (touche START [mise en marche]) déclenche automatiquement la mise en marche du four à micro-ondes à sa puissance maximale pendant 30 secondes. Elle ajoute ensuite 30 secondes de temps de cuisson à chaque pression supplémentaire sur la touche.

On peut prolonger le temps de cuisson d'un programme manuel par tranches de 30 secondes tout en conservant le même niveau de puissance en appuyant sur ADD 30 SEC durant la cuisson.

REMARQUE : Pour éviter l'utilisation involontaire du four à micro-ondes, il est impossible de lancer une fonction de cuisson si la porte du four à micro-ondes a été fermée pendant environ 5 minutes. Le mot "door" (porte) apparaît sur l'affichage jusqu'à ce que l'on ouvre puis referme la porte.

Annuler

La touche CANCEL (annulation) permet d'effacer toute commande invalide et d'annuler n'importe quel programme durant une cuisson. Cette fonction n'effacera pas l'heure.

Le four à micro-ondes s'arrête également lorsqu'on ouvre la porte. Fermer la porte et appuyer sur START (mise en marche) pour reprendre le programme.

La touche CANCEL (annulation) est également utilisée pour verrouiller et déverrouiller le tableau de commande. Voir "Verrouillage des commandes".

Signaux sonores

Les signaux sonores ne peuvent pas être arrêtés. Ces signaux sonores indiquent ce qui suit :

Un signal sonore

- Entrée valide
- Verrouillage de commande activé ou désactivé

Deux signaux sonores

- Fin d'étape pour la cuisson par étapes
- Entrée invalide

Trois signaux sonores

- Fin du compte à rebours de la minuterie

Cinq signaux sonores

- Fin du programme

Horloge

Il s'agit d'une horloge classique de 12 heures (12:00 - 11:59). L'horloge ne peut pas être effacée. Si l'horloge n'est pas réglée, "0:00" restera sur l'affichage lorsque le four à micro-ondes n'est pas en usage.

Réglage :

Le four à micro-ondes et la minuterie doivent être éteints.

1. Appuyer sur TIMER/CLOCK (minuterie/horloge) deux fois.
2. Appuyer sur les touches numériques pour entrer l'heure correcte.
3. Appuyer sur TIMER/CLOCK.

Minuterie

La minuterie peut être réglée en minutes et secondes jusqu'à 99 minutes et 99 secondes et procède à un compte à rebours de la durée réglée.

REMARQUE : La minuterie ne met pas en marche et n'arrête pas le four à micro-ondes.

Les fonctions de cuisson peuvent être utilisées alors que la minuterie procède au compte à rebours. Lorsque la fonction de cuisson est activée sur l'affichage, appuyer sur TIMER/CLOCK (minuterie/horloge) pour visualiser le compte à rebours de la minuterie pendant environ 5 secondes.

Réglage :

1. Appuyer sur TIMER/CLOCK (minuterie/horloge).
2. Appuyer sur les touches numériques pour entrer la durée désirée.
3. Appuyer sur START (mise en marche).

Lorsque la durée réglée est atteinte, le signal de fin de programme est émis.

Lorsque la durée réglée est atteinte, "End" (fin) apparaît sur l'affichage et les signaux de fin du compte à rebours de la minuterie sont émis.

4. Appuyer sur CANCEL (annulation) alors que le compte à rebours de la minuterie est actif sur l'affichage (l'icône du temps clignote sur l'afficheur), pour annuler la minuterie.

Le fait d'appuyer sur CANCEL alors qu'une fonction de cuisson est active sur l'affichage entraînera l'annulation de cette fonction, mais pas de la minuterie.

La durée peut être réglée de nouveau durant le compte à rebours par l'annulation de la minuterie, puis par la répétition des étapes décrites ci-dessus.

Verrouillage des commandes

Le verrouillage des commandes désactive les touches du tableau de commande pour empêcher l'utilisation involontaire du four à micro-ondes.

Pour verrouiller/déverrouiller les commandes : Le four à micro-ondes doit être arrêté. Appuyer en maintenant la touche CANCEL (annulation) pendant environ 3 secondes jusqu'à l'émission du signal sonore et l'affichage d'une icône de verrouillage des commandes (voir la section "Icônes de fonction" dans la section "Affichage"). Répéter pour déverrouiller.

L'icône de verrouillage des commandes restera allumée sur l'affichage jusqu'à ce que les commandes soient déverrouillées.

Si l'on appuie sur une touche de commande alors que le verrouillage des commandes est actif, les commandes ne répondent pas.

UTILISATION DU FOUR À MICRO-ONDES

Un magnétron dans le four à micro-ondes produit des micro-ondes qui rebondissent de la base, des parois et de la voûte en métal et qui passent à travers le plateau rotatif et les ustensiles de cuisson appropriés pour atteindre l'aliment. Les micro-ondes sont attirées et absorbées par le gras, le sucre et les molécules d'eau dans les aliments et font déplacer ces molécules, en produisant une friction et une chaleur qui fait cuire les aliments.

- Pour éviter d'endommager le four à micro-ondes, ne pas s'appuyer ou laisser les enfants se balancer sur la porte du four à micro-ondes.
- Pour éviter d'endommager le four à micro-ondes, ne pas faire fonctionner le four à micro-ondes à vide.
- Les biberons et les petits pots d'aliments pour bébés ne doivent pas être chauffés dans le four à micro-ondes.
- Les vêtements, fleurs, fruits, herbes, gourdes, le bois, le papier - y compris les sacs en papier brun et les journaux - ne doivent pas être séchés dans le four à micro-ondes.
- La paraffine ne fondra pas dans le four à micro-ondes car elle n'absorbe pas les micro-ondes.
- Utiliser des mitaines de four ou des maniques lors de l'enlèvement de contenants du four à micro-ondes.
- Ne pas faire cuire les pommes de terre excessivement. À la fin de la durée de cuisson recommandée, les pommes de terre devraient être légèrement fermes. Laisser les pommes de terre reposer pendant 5 minutes. Elles acheveront de cuire pendant cette période.
- Ne pas faire cuire ou réchauffer des œufs entiers avec leur coquille. La vapeur accumulée dans les œufs entiers pourrait les faire éclater, ce qui exigerait le nettoyage significatif de la cavité du four à micro-ondes. Recouvrir les œufs pochés et les laisser reposer.

Caractéristiques des aliments

Lors de la cuisson au four à micro-ondes, la quantité, la taille, la forme, la température de début, la composition et la densité de l'aliment affectent les résultats de cuisson.

Quantité d'aliments

La quantité d'aliments chauffés influencera la durée de cuisson. Vérifier le degré de cuisson et prolonger légèrement la durée si nécessaire.

Taille et forme

Des morceaux plus petits d'aliments cuiront plus vite que les gros morceaux, et les aliments uniformes cuiront plus également que les aliments de forme irrégulière.

Température de début

Les aliments à température ambiante chaufferont plus vite que les aliments réfrigérés, et les aliments réfrigérés chaufferont plus vite que les aliments congelés.

Composition et densité

Les aliments à haute teneur en gras et en sucre atteindront une température plus élevée et chaufferont plus vite que les autres. Les aliments lourds et denses, tels que la viande et les pommes de terre, nécessitent un temps de cuisson plus long qu'un aliment de la même taille, léger et poreux tel que les gâteaux.

Guide de cuisson

Recouvrement

Le recouvrement des aliments aide à retenir l'humidité, réduire le temps de cuisson et réduire les éclaboussures. Utiliser le couvercle fourni avec l'ustensile de cuisson. S'il n'y a pas de couvercle disponible, du papier paraffiné, un essuie-tout ou de la pellicule de plastique approuvée pour les micro-ondes peuvent être utilisés. La pellicule de plastique doit être retournée à un coin pour fournir une ouverture à l'échappement de la vapeur. La condensation sur les surfaces de la porte et de la cavité est normale pendant une cuisson intense.

Remuer et tourner

Remuer et tourner les aliments redistribue la chaleur de manière égale pour éviter la cuisson excessive des bords des aliments. Mélanger de l'extérieur vers le centre. Si possible, retourner les aliments.

Disposition

S'il s'agit d'aliments de forme irrégulière ou de dimensions différentes, les parties plus minces et les morceaux plus petits doivent être disposés près du centre. Si l'on cuit plusieurs aliments de même taille et de même forme, les placer en cercle, en laissant le centre du cercle vide.

Dégagement de la pression

Avant le chauffage, utiliser une fourchette ou un petit couteau pour percer les aliments qui ont une peau ou une membrane, tels que les pommes de terre, jaunes d'œufs, foies de poulet, hot dogs et saucisses. Percer en plusieurs endroits pour laisser échapper la vapeur.

Protection

Utiliser du papier d'aluminium en petits morceaux plats pour protéger les parties minces d'aliments de forme irrégulière, les os, et des aliments tels que les ailes et pilons de poulet et les queues de poisson. Voir en premier "Papier d'aluminium et métal".

Temps de repos

Les aliments continueront à cuire par la conduction naturelle de la chaleur même lorsque le programme de micro-ondes sera terminé. La durée du temps de repos dépend du volume et de la densité de l'aliment.

Ustensiles de cuisson et vaisselle

Les ustensiles de cuisson et la vaisselle doivent pouvoir être placés sur le plateau rotatif. Toujours utiliser des mitaines de four ou des maniques lors de la manipulation parce que tout plat peut devenir chaud à cause de la chaleur transmise par les aliments. Ne pas utiliser des ustensiles de cuisson ou de la vaisselle avec une garniture en or ou en argent. Utiliser le tableau suivant comme guide, ensuite faire un test avant l'utilisation.

MATÉRIAU	RECOMMANDATIONS
Papier d'aluminium, métal	Voir la section "Papier d'aluminium et métal".
Plat brunisseur	La base doit être au moins à 3/16" (5 mm) au-dessus du plateau rotatif. Suivre les recommandations du fabricant.
Vitrocéramique, verre	Peut être utilisé.
Porcelaine, faïence	Suivre les recommandations du fabricant.
Mélatamine	Suivre les recommandations du fabricant.
Papier : essuie-tout, vaisselle, serviettes de table	Utiliser des produits non recyclés et ceux qui sont approuvés par le fabricant pour utilisation au four à micro-ondes.
Plastique : pellicule, sacs, couvercles, vaisselle, contenants	Utiliser des produits approuvés par le fabricant pour utilisation au four à micro-ondes.
Poterie et argile	Suivre les recommandations du fabricant.
Ustensile de cuisson au four en silicone	Suivre les recommandations du fabricant.
Paille, osier, contenants en bois	Ne pas utiliser au four à micro-ondes.
Papier paraffiné	Peut être utilisé.

Pour tester l'ustensile de cuisson ou la vaisselle pour utilisation au four à micro-ondes :

1. Placer l'ustensile de cuisson ou la vaisselle dans le four à micro-ondes avec 1 tasse (250 mL) d'eau à côté de l'article.
2. Faire cuire à la puissance de cuisson maximale pendant 1 minute.

Ne pas utiliser cet ustensile de cuisson ou cet article de vaisselle s'il devient chaud alors que l'eau demeure froide.

Papier d'aluminium et métal

Toujours utiliser des mitaines de four ou des maniques pour enlever des plats du four à micro-ondes.

Le papier d'aluminium et certains métaux peuvent être utilisés dans le four à micro-ondes. Si ces articles ne sont pas bien utilisés, des arcs (un éclair bleu) peuvent survenir et causer des dommages au four à micro-ondes.

Utilisation possible

Les grilles et les ustensiles de cuisson fournis avec le four à micro-ondes (sur certains modèles), le papier d'aluminium pour protection et les thermomètres à viande approuvés peuvent être utilisés avec les précautions suivantes :

- Pour éviter d'endommager le four à micro-ondes, ne pas laisser le papier d'aluminium ou le métal toucher les parois, le plafond ou le fond de la cavité intérieure.
- Toujours utiliser le plateau rotatif.
- Pour éviter d'endommager le four à micro-ondes, ne pas permettre un contact avec un autre objet en métal durant la cuisson.

Utilisation à éviter

Les ustensiles de cuisson et de cuisson au four en métal, l'or, l'argent, l'étain, les thermomètres à viande non approuvés, les brochettes, les attaches, les doublures de papier d'aluminium telles que les enveloppes à sandwich, les agrafes et objets avec garniture en or ou en argent ou avec un enduit métallique ne doivent pas être utilisés dans le four à micro-ondes.

Puissance de cuisson des micro-ondes

De nombreuses recettes de four à micro-ondes précisent quelle puissance de chauffage doit être utilisée par pourcentage ou nom. Par exemple, PL7 = 70 % = Moyenne-élevée.

L'une des icônes de mise sous tension (voir la section "Icônes de fonction" dans la section "Affichage") clignote durant la cuisson manuelle, selon le niveau de puissance du programme. Pour voir la puissance de cuisson durant un programme de cuisson, appuyer sur POWER LEVEL (niveau de puissance). L'affichage indique brièvement le niveau de puissance actuel puis retourne au décompte de la cuisson.

Utiliser le tableau suivant comme guide général pour la puissance de cuisson suggérée pour les aliments spécifiques.

POURCENTAGE/NOM	UTILISATION
100 %, Élevée, PL10 (réglage par défaut)	Chauffage rapide d'aliments minute et d'aliments à haute teneur en eau, tels que les soupes, les boissons et la plupart des légumes.
90 %, PL9	Cuisson de petits morceaux tendres de viande, viande hachée, morceaux de volaille, filets de poisson. Réchauffage de soupes en crème.
80 %, PL8	Réchauffage de riz, pâtes ou mets en sauce remuables. Cuisson et réchauffage d'aliments qui ont besoin d'une puissance de chauffage inférieure à la puissance élevée. Par exemple, poisson entier et pain de viande.
70 %, Moyenne-élevée, PL7	Réchauffage d'une seule portion d'aliments.
60 %, PL6	Cuisson d'aliments sensibles tels que les mets à base d'œufs et de fromage, pudding et crèmes anglaises. Cuisson de mets en sauce non remuables tels que les lasagnes.
50 %, Moyenne, PL5	Cuisson de jambon, de volaille entière et de morceaux de viande à braiser. Mijotage de ragoûts.
40 %, PL4	Pour faire fondre le chocolat. Chauffage du pain, de petits pains et pâtisseries.
30 %, Moyenne-faible, Décongélation, PL3	Décongélation de pain, poisson, viandes, volaille et aliments précuits.
20 %, PL2	Ramollir le beurre, le fromage et la crème glacée.
10 %, Faible, PL1	Mettre les fruits à température ambiante.

Cuisson manuelle

REMARQUE : Pour cuire au maximum de la puissance, appuyer d'abord sur les touches numériques pour entrer la durée de cuisson puis appuyer sur START (mise en marche).

Utilisation :

1. Placer les aliments sur le plateau rotatif et fermer la porte.
2. Appuyer sur COOK TIME (durée de cuisson).
"00:00" apparaît sur l'affichage. Entrer la durée de cuisson.
En cas de cuisson à la puissance maximale, passer à l'étape 4.
3. Appuyer sur POWER LEVEL (niveau de puissance).
Le niveau de puissance par défaut PL10 apparaît sur l'affichage. Entrer le niveau de puissance désiré. Voir "Puissance de cuisson des micro-ondes".
4. Appuyer sur START (mise en marche).
À la fin du programme, "End" (fin) apparaît sur l'affichage, et les signaux de fin de programme sont émis.
5. Appuyer sur CANCEL (annulation) ou ouvrir la porte pour effacer l'affichage.

Cuisson par étapes

Le four à micro-ondes peut être réglé pour cuire à différentes puissances pendant diverses durées, en 2 étapes maximum, dont l'une peut correspondre à une étape de décongélation. Voir "Décongélation" pour régler la phase de décongélation.

REMARQUE : Si l'on programme une étape de décongélation, le programme débutera par cette étape.

Cuisson par étapes :

1. Placer les aliments sur le plateau rotatif et fermer la porte.
2. Appuyer sur COOK TIME (durée de cuisson).
"00:00" apparaît sur l'affichage. Entrer la durée de cuisson durant la première étape.
3. Appuyer sur POWER LEVEL (niveau de puissance), puis entrer la puissance de cuisson désirée pour la première étape. Voir "Puissance de cuisson des micro-ondes".
4. Répéter les étapes 2 et 3 pour la deuxième étape.
5. Appuyer sur START (mise en marche).
Deux signaux sonores sont émis entre les étapes.
À la fin du programme, "End" (fin) apparaît sur l'affichage, et les signaux de fin de programme sont émis.
6. Appuyer sur CANCEL (annulation) ou ouvrir la porte pour effacer l'affichage.

La durée de cuisson peut être prolongée par tranches de 30 secondes durant l'étape en cours en appuyant sur la touche ADD 30 SEC (ajouter 30 secondes).

Favori

Utiliser la touche FAVORITE (favori) pour programmer, sauvegarder et faire réapparaître les 3 programmes manuels de cuisson les plus utilisés. Chaque favori peut comporter 1 ou 2 étapes (voir la section "Cuisson par étapes"). Dans le cas d'une panne de courant, les favoris sauvegardés devront être reprogrammés.

Pour régler FAVORITE (favori) :

1. Appuyer sur FAVORITE (favori).
"1" apparaît sur l'affichage. Appuyer plusieurs fois sur FAVORITE pour faire défiler "2" et "3", jusqu'à ce que le numéro de votre programme favori s'affiche.
2. Appuyer sur COOK TIME (durée de cuisson) puis entrer la durée de cuisson.
3. Appuyer sur POWER LEVEL (niveau de puissance) et entrer le niveau de puissance.
Si l'on programme une deuxième étape, entrer la durée et la puissance de cuisson de chaque étape correspondant à cette étape (voir la section "Cuisson par étapes").
4. Appuyer sur FAVORITE (favori) pour sauvegarder le programme.
ou
Appuyer sur START (mise en marche) pour démarrer le programme réglé. Le programme est également sauvegardé.

Utilisation de FAVORITE (favori) :

1. Placer les aliments sur le plateau rotatif et fermer la porte.
2. Appuyer plusieurs fois sur FAVORITE jusqu'à ce que le nombre du programme souhaité apparaisse sur l'affichage.
3. Appuyer sur START (mise en marche).
À la fin du programme, "End" (fin) apparaît sur l'affichage, et les signaux de fin de programme sont émis.
4. Appuyer sur CANCEL (annulation) ou ouvrir la porte pour effacer l'affichage.

Cuisson par détection

Un capteur dans le four à micro-ondes détecte l'humidité dégagée par l'aliment au fur et à mesure qu'il chauffe et règle automatiquement la durée de cuisson en conséquence.

Plusieurs programmes de détection nécessitent de couvrir les aliments. On recommande l'utilisation de contenants ou de cuiseurs à vapeur adaptés aux micro-ondes avec couvercle non hermétique. Le couvercle non hermétique permettra l'évacuation de vapeur en quantité suffisante pour être détectée par le capteur. Lorsqu'on recouvre les aliments de pellicule plastique, s'assurer de laisser une ouverture d'aération suffisamment grande pour permettre à la vapeur de s'échapper.

"SC" (cuisson par détection) apparaît sur l'affichage pendant la cuisson par détection.

REMARQUES :

- Le four à micro-ondes doit être branché pendant au moins 3 minutes.
- La cavité du four à micro-ondes et l'extérieur du contenant de cuisson doivent être secs.
- La température ambiante ne doit pas être supérieure à 95°F (35°C).
- Si la porte est ouverte pendant que le capteur détecte l'humidité (pendant que "SC" apparaît sur l'affichage), la détection s'arrête et le programme est annulé.

Menu express (avec/sans détection)

Les éléments de menu suivants sont préprogrammés pour une cuisson/un réchauffage facile.

Pour plus de commodité, les quantités disponibles/recommandées indiquées dans le tableau suivant sont indiquées sur l'étiquette du guide de cuisson (voir "Pièces et caractéristiques" pour connaître son emplacement).

ARTICLE DE MENU	QUANTITÉ PAR PORTION	INSTRUCTIONS
POPCORN (Maïs éclaté) (sans détection)	3,5 oz (99 g) 3,0 oz (85 g) 1,75 oz (50 g)	<ul style="list-style-type: none"> ■ Pour éviter d'endommager le four à micro-ondes, ne pas utiliser de sacs de papier ordinaire ou d'articles en verre. ■ Ne préparer qu'un sac à la fois. ■ Suivre les instructions du fabricant lors de l'utilisation d'un éclateur de maïs au micro-ondes. ■ Pour les meilleurs résultats, ne pas essayer de faire éclater les grains qui n'ont pas éclaté. ■ Utiliser des sacs de maïs à éclater frais pour des résultats optimaux. ■ Les résultats de cuisson peuvent varier en fonction de la marque et de la teneur en matières grasses. Pour des sacs dont les dimensions ne figurent pas dans cette section, suivre les indications de l'emballage. <p>REMARQUE : Pendant la fonction Maïs éclaté, comme avec toutes les fonctions de cuisson du micro-ondes, on doit toujours suivre la cuisson du four à micro-ondes. Attendre que l'éclatement ralentisse à 1 éclatement toutes les 1 ou 2 secondes, puis mettre fin au programme.</p>
PIZZA REHEAT (Réchauffage de pizza) (sans détection)	1 à 3 tranches, 3 oz (85 g) chacune, réfrigérée	Placer les tranches de pizza sur une assiette pouvant aller au four à micro-ondes recouverte d'un essuie-tout au centre du plateau rotatif.
BEVERAGE (Boisson) (sans détection, réchauffage)	1 ou 2 tasses, 8 oz (250 mL) chacune	Ne pas couvrir. Le diamètre de l'ouverture de la tasse affectera le mode de chauffage du liquide. Les boissons dans des tasses avec ouverture plus petite peuvent chauffer plus rapidement.
FRESH VEGETABLE (Légumes frais) (sans détection)	1 à 4 tasses (250 mL à 1 L)	Les placer dans un contenant pour micro-ondes, et ajouter 2 à 4 c. à soupe (30 à 60 mL) d'eau. Recouvrir d'une pellicule de plastique, et laisser une ouverture d'échappement de l'air. Remuer et laisser reposer 2 à 3 minutes après cuisson.
POTATO (Pomme de terre) (sans détection)	1 à 4 pommes de terre, 10 oz (283 g) chacune	Percer plusieurs fois chaque pomme de terre avec une fourchette. Les placer sur de l'essuie-tout, sur le pourtour du plateau rotatif, à au moins 1" (2,5 cm) les unes des autres. S'il n'y a qu'une pomme de terre, la placer sur un côté du plateau rotatif. À la fin de la cuisson, les laisser reposer pendant 5 minutes.
DINNER PLATE (Assiettée) (avec détection, réchauffage)	10 à 16 oz (283 à 454 g), réfrigérée	Placer les aliments sur une assiette pour micro-ondes. Recouvrir d'une pellicule de plastique, et laisser une ouverture d'échappement de l'air*. Laisser reposer 2 à 3 minutes après réchauffage.
FROZEN ENTREE (Plat surgelé) (avec détection)	8 à 12 oz (227 à 340 g)	Sortir de l'emballage. Dégager l'opercule sur 3 côtés. Si le plat ne se trouve pas dans un contenant pour micro-ondes, le placer sur une assiette, le couvrir d'une pellicule de plastique et laisser une ouverture d'échappement de l'air*. Laisser reposer 2 à 3 minutes après la cuisson.

*En couvrant les aliments, s'assurer que l'ouverture d'échappement de l'air est suffisante pour laisser l'humidité s'échapper. Ceci permettra au capteur de déterminer précisément la durée de cuisson.

Utilisation menu - sans détection (Popcorn [maïs éclaté], Pizza Reheat [réchauffage de pizza], Beverage [boisson], Fresh Vegetable [légumes frais], Potato [pomme de terre]) :

1. Placer les aliments sur le plateau rotatif, et fermer la porte.
2. Appuyer sur la commande du menu souhaité.
La première quantité programmée apparaît sur l'affichage. Appuyer sur la touche de commande à plusieurs reprises pour choisir la quantité. Voir le tableau.
3. Appuyer sur START (mise en marche).
À la fin du programme, "End" (fin) apparaît sur l'affichage, et les signaux de fin de programme sont émis.
4. Appuyer sur CANCEL (annulation) ou ouvrir la porte pour effacer l'affichage.

Utilisation menu - avec détection (Dinner Plate [assiettée], Frozen Entrée [plat surgelé]) :

1. Placer les aliments sur le plateau rotatif, et fermer la porte.
2. Appuyer sur la commande du menu souhaité.
"SC" (cuisson par détection) apparaît sur l'affichage.
3. Appuyer sur START (mise en marche).
Le four à micro-ondes démarre et la cuisson par détection commence. "SC" apparaît sur l'affichage durant la cuisson.
À la fin du programme, "End" (fin) apparaît sur l'affichage, et les signaux de fin de programme sont émis.
4. Appuyer sur CANCEL (annulation) ou ouvrir la porte pour effacer l'affichage.

Décongélation

On peut soit utiliser les programmes pré-réglés de la caractéristique de décongélation au poids, soit utiliser la caractéristique de décongélation minutée, ou soit programmer manuellement la décongélation sur le four à micro-ondes.

- Déballer les aliments et enlever les couvercles (des contenants à jus de fruit par exemple) avant la décongélation.
- Les paquets peu épais décongèlent plus rapidement que les blocs épais.
- Séparer les morceaux d'aliment le plus tôt possible durant ou à la fin du programme pour une décongélation plus uniforme.
- Utiliser de petits morceaux de papier d'aluminium pour protéger les aliments tels que les ailes et pilons de poulet et les queues de poisson. Voir d'abord "Papier d'aluminium et métal".

Décongélation au poids

La caractéristique de décongélation au poids comporte des durées pré-réglées et des puissances de cuisson pré-réglées pour 3 catégories : viande, volaille et poisson. Cette fonction ne doit pas être utilisée pour les aliments laissés à l'extérieur du congélateur pendant plus de 20 minutes ou pour les plats surgelés.

Décongélation minutée

La décongélation minutée ne possède pas de programme pré-établi - mais elle utilise seulement 30 % de la puissance de cuisson (PL3).

DÉCONGÉLATION	ALIMENTS	INSTRUCTIONS
DEF1 - Viande (au poids)	Boeuf (haché, steaks, rôti, ragoût) Agneau (ragoût et côtelettes) Porc (côtelettes, côtes, rôtis, saucisse)	Les sections étroites ou grasses des morceaux de forme irrégulière doivent être recouvertes de papier d'aluminium avant la décongélation. Ne pas décongeler moins de 1/4 lb (113 g) ou 2 galettes de 4 oz (113 g). Placer toutes les viandes dans un plat de cuisson allant au micro-ondes. Ne pas couvrir.
DEF2 - Volaille (au poids)	Poulet (entier et en morceaux) Poulets de Cornouailles Dinde (poitrine)	Placer dans un plat de cuisson allant au micro-ondes, la poitrine de poulet vers le haut. Ne pas couvrir.
DEF3 - Poisson (au poids)	Filets Darnes Crustacés entiers	Placer dans un plat de cuisson allant au four à micro-ondes. Ne pas couvrir.
DEF4 (à minutée)	Varié	Placer dans un plat de cuisson allant au four à micro-ondes. Ne pas couvrir.

Utilisation de la décongélation au poids :

1. Placer les aliments, non couverts, sur le plateau rotatif et fermer la porte.
2. Appuyer sur DEFROST (décongélation).
"dEF1" apparaît sur l'affichage. Appuyer une deuxième fois sur DEFROST (décongélation) pour obtenir "dEF2" ou une troisième fois pour obtenir "dEF3" si l'on décongèle de la volaille ou du poisson. Voir le tableau.
Pour sélectionner le programme souhaité, appuyer sur START (mise en marche) ou attendre 5 secondes, le message demandant à l'utilisateur d'entrer le poids apparaît sur l'affichage.
3. Entrer le poids.
Le poids peut être réglée de 0,3 lb à 6,3 lb (136 g à 2,86 kg).
4. Appuyer sur START (mise en marche).
Le compte à rebours de la durée de décongélation s'affiche.
Si nécessaire, le programme peut être brièvement interrompu pour retourner les aliments en ouvrant la porte. Fermer la porte et appuyer sur START (mise en marche) pour reprendre le programme.
À la fin du programme, "End" (fin) apparaît sur l'affichage, et les signaux de fin de programme sont émis.
5. Appuyer sur CANCEL (annulation) ou ouvrir la porte pour effacer l'affichage.

Utilisation de la décongélation minutée :

1. Placer les aliments, non couverts, sur le plateau rotatif et fermer la porte.
2. Appuyer sur DEFROST (décongélation) à quatre reprises.
"dEF4" apparaît sur l'affichage.
3. Appuyer sur START (mise en marche), ou attendre 5 secondes, le message demandant à l'utilisateur d'entrer la durée apparaît sur l'affichage.
4. Entrer la durée en minutes et secondes.
5. Appuyer sur START (mise en marche).
Le compte à rebours de la durée de décongélation s'affiche.
Si nécessaire, le programme peut être brièvement interrompu pour retourner les aliments en ouvrant la porte. Fermer la porte et appuyer sur START (mise en marche) pour reprendre le programme.
À la fin du programme, "End" (fin) apparaît sur l'affichage, et les signaux de fin de programme sont émis.
6. Appuyer sur CANCEL (annulation) ou ouvrir la porte pour effacer l'affichage.

Utilisation du mode de décongélation manuelle : Suivre les instructions de la section "Cuisson manuelle", et régler la puissance de cuisson à 30 %. Voir le tableau "Puissance de cuisson des micro-ondes".

ENTRETIEN DU FOUR À MICRO-ONDES

Nettoyage général

IMPORTANT : Avant le nettoyage, s'assurer que toutes les commandes sont désactivées et que le four à micro-ondes est froid. Toujours suivre les instructions sur l'étiquette des produits de nettoyage.

Le savon, l'eau et un linge doux ou une éponge sont suggérés à moins d'avis contraire.

CAVITÉ DU FOUR À MICRO-ONDES

Pour éviter d'endommager la cavité du four à micro-ondes, ne pas utiliser de tampons à récurer savonneux, de nettoyeurs abrasifs, de tampons en laine d'acier, de chiffons rugueux de lavage ou certains genres d'essuie-tout recyclés.

Pour éviter d'endommager les modèles en acier inoxydable, frotter dans le sens du grain.

La surface où la porte et le cadre du four à micro-ondes se touchent quand la porte est fermée doit être maintenue propre.

Saleté moyenne

- Savons et détergents doux, non abrasifs :
Rincer à l'eau propre et sécher avec un linge doux sans charpie.

Saleté intense

- Savons et détergents doux, non abrasifs :
Faire chauffer 1 tasse (250 mL) d'eau pendant 2 à 5 minutes dans le four à micro-ondes. La vapeur ramollira la saleté. Rincer à l'eau propre et sécher avec un linge doux sans charpie.

Odeurs

- Jus de citron ou vinaigre :
Faire chauffer une tasse (250 mL) d'eau avec 1 c. à soupe (15 mL) de jus de citron ou de vinaigre pendant 2 à 5 minutes dans le four à micro-ondes.

Couvercle - orifice d'introduction des micro-ondes

Pour éviter la formation d'arcs et les dommages causés au four à micro-ondes, le couvercle - orifice d'introduction des micro-ondes (voir la section "Pièces et caractéristiques") doit être maintenu propre.

- Essuyer avec un chiffon humide.

PORTE DU FOUR À MICRO-ONDES ET EXTÉRIEUR

La surface où la porte et le cadre du four à micro-ondes se touchent quand la porte est fermée doit être maintenue propre.

- Savons et détergents doux, non abrasifs :
Rincer à l'eau propre et sécher avec un linge doux sans charpie.
- Nettoyeur à vitres et essuie-tout ou tampon à récurer en plastique non abrasif :
Appliquer le nettoyeur à vitres sur un linge, et non pas directement sur la surface.

Acier inoxydable (sur certains modèles)

Pour éviter d'endommager la porte et l'extérieur du four à micro-ondes, ne pas utiliser de tampons à récurer savonneux, nettoyeurs abrasifs, tampons en laine d'acier, chiffons de lavage rugueux ou certains essuie-tout. Frotter dans le sens du grain.

- Nettoyeur et poli pour acier inoxydable (non inclus) :
Voir la section "Assistance ou service" pour soumettre une commande.
- Détergent liquide ou nettoyeur tout-usage :
Rincer à l'eau propre et sécher avec un linge doux sans charpie.
- Vinaigre pour les taches d'eau dure.

TABLEAU DE COMMANDE

- Éponge ou linge doux et eau :
Humecter l'éponge avec l'eau et essuyer le tableau. Sécher avec un linge doux.
- Pour éviter d'endommager le tableau de commande, ne pas utiliser de produits de nettoyage chimiques ou abrasifs.

PLATEAU ROTATIF

Remettre le plateau rotatif en place immédiatement après le nettoyage. Ne pas faire fonctionner le four à micro-ondes lorsque le plateau rotatif est enlevé.

- Nettoyeur doux et tampon à récurer
- Lave-vaisselle

DÉPANNAGE

Essayez d'abord les solutions suggérées ici afin d'éviter le coût d'une visite de service non nécessaire.

Rien ne fonctionne

- **Un fusible est-il grillé ou le disjoncteur s'est-il déclenché?**
Remplacer le fusible ou réenclencher le disjoncteur. Si le problème persiste, appeler un électricien.

Le four ne fonctionne pas

- **Le magnétron fonctionne-t-il correctement?**
Faire chauffer 1 tasse (250 mL) d'eau froide pendant 2 minutes à la puissance de cuisson maximale. Si l'eau ne chauffe pas, essayer les étapes ci-dessous. Si le four à micro-ondes ne fonctionne toujours pas, faire un appel de service. Voir la section "Assistance ou service".
- **La porte est-elle fermée complètement?**
Bien fermer la porte.
- **Une cale d'espacement de l'emballage (sur certains modèles) est-elle fixée à l'intérieur de la porte?**
Enlever la cale d'espacement de l'emballage, puis bien fermer la porte.
- **Le module de commande électronique du four à micro-ondes est-il correctement réglé?**
Voir la section "Commande du four à micro-ondes".
- **Sur certains modèles, le verrouillage des commandes est-il réglé?**
Voir la section "Verrouillage des commandes".
- **L'afficheur indique-t-il "door" (porte)?**
Ouvrir et fermer la porte du four à micro-ondes, puis appuyer sur START (mise en marche). Voir la section "Start (mise en marche)".

Le four bourdonne

- Ceci est normal et se produit lorsque l'alimentation électrique allume et éteint le magnétron par intermittence.

La porte du four semble gondolée

- Ceci est normal et n'affecte pas la performance.

Le plateau rotatif ne fonctionne pas

- **Le plateau rotatif est-il bien en place?**
S'assurer que le plateau rotatif est à l'endroit et repose bien sur son support. Voir la section "Plateau rotatif".
- **Le support du plateau rotatif fonctionne-t-il correctement?**
Retirer le plateau rotatif. Retirer et nettoyer l'axe du plateau rotatif, le support et les roulettes. Réinstaller l'axe, le support et le plateau rotatif. Placer 1 tasse (250 mL) d'eau, puis remettre le four à micro-ondes en marche. S'il ne fonctionne toujours pas, faire un appel de service. Voir la section "Assistance ou service". Ne pas faire fonctionner le four à micro-ondes sans que le plateau rotatif et son support fonctionnent correctement.

Le plateau rotatif tourne dans les deux sens

- Ceci est normal et dépend de la rotation du moteur au début du programme.

L'afficheur indique des messages

- **L'affichage indique-t-il "0:00"?**
Il y a eu une panne de courant ou l'horloge a été éteinte. Voir la section "Affichage" pour effacer l'affichage. Voir la section "Horloge" pour régler de nouveau l'horloge ou la mettre en marche.

L'afficheur indique le compte à rebours, mais ne fonctionne pas

- **La minuterie est-elle en cours d'utilisation?**
Voir la section "Minuterie".

Les durées de cuisson semblent trop longues

- **La puissance de cuisson est-elle bien réglée?**
Voir la section "Puissance de cuisson des micro-ondes".
- **Chauffe-t-on de grosses quantités d'aliments?**
Les quantités plus grandes d'aliments nécessitent des durées de cuisson plus longues.
- **La tension d'alimentation est-elle inférieure à celle indiquée dans "Spécifications électriques"?**
Faire vérifier le système électrique du domicile par un électricien qualifié.

Brouillage par la radio, le téléviseur, le téléphone sans fil, etc.

- **Le four à micro-ondes est-il branché sur la même prise?**
Essayer une prise différente pour le dispositif électronique.
- **La radio ou le téléviseur se trouve-t-il près du four à micro-ondes?**
Éloigner l'appareil du four à micro-ondes ou ajuster l'antenne de la radio ou du téléviseur.
- **La porte du four à micro-ondes et les surfaces d'étanchéité sont-elles propres?**
S'assurer que ces zones sont propres.
- **Le téléphone sans fil est-il de fréquence 2,4 GHz?**
Certains téléphones sans fil de 2,4 GHz et certains réseaux domestiques sans fil peuvent être l'objet de parasites ou de bruit lorsque le four est en marche. Utiliser un téléphone avec fil, un téléphone sans fil avec une fréquence différente ou éviter d'utiliser ces articles pendant le fonctionnement du four.

ASSISTANCE OU SERVICE

Avant de faire un appel pour assistance ou service, consulter la section "Dépannage". Ce guide peut vous faire économiser le coût d'une visite de service. Si vous avez encore besoin d'aide, suivre les instructions ci-dessous.

Lors d'un appel, veuillez connaître la date d'achat, le numéro de modèle et le numéro de série au complet de l'appareil. Ces renseignements nous aideront à mieux répondre à votre demande.

Si vous avez besoin de pièces de rechange

Si vous avez besoin de commander des pièces de rechange, nous vous recommandons d'employer uniquement des pièces de rechange FSP®. Les pièces de rechange FSP® conviendront et fonctionneront bien parce qu'elles sont fabriquées avec la même précision utilisée dans la fabrication de chaque nouvel appareil WHIRLPOOL®.

Pour obtenir des pièces de rechange FSP® dans votre région, nous contacter ou appeler le Centre de service désigné de Whirlpool le plus proche.

Au Canada

Veuillez appeler sans frais le Centre pour l'eXpérience de la clientèle de Whirlpool Canada LP au : **1-800-807-6777**.

Nos consultants vous renseigneront sur les sujets suivants :

- Caractéristiques et spécifications sur toute notre gamme d'appareils électroménagers.
- Consignes d'utilisation et d'entretien.
- Ventes d'accessoires et de pièces de rechange.
- Références aux marchands locaux, aux distributeurs de pièces de rechange et aux compagnies de service. Les techniciens de service désignés par Whirlpool Canada LP sont formés pour remplir la garantie des produits et fournir un service après la garantie, partout au Canada.

Pour plus d'assistance

Si vous avez besoin de plus d'assistance, vous pouvez soumettre par écrit toute question ou préoccupation à Whirlpool Canada LP à l'adresse suivante :

Whirlpool Canada LP
Centre pour l'eXpérience de la clientèle
200 - 6750 Century Ave.
Mississauga, Ontario L5N 0B7

Veuillez inclure dans votre correspondance un numéro de téléphone où l'on peut vous joindre dans la journée.

Pièces de rechange

Plateau rotatif en verre
Numéro de pièce W10451785
Support du plateau rotatif et
roulettes
Numéro de pièce W10451791

Axe du plateau rotatif
Numéro de pièce W10451787

Accessoires de nettoyage

Nettoyant pour appareils
ménagers de cuisine affresh™
Numéro de pièce W10355010
Nettoyant pour acier
inoxydable affresh™
Numéro de pièce W10355016

Chiffons pour acier inoxydable
affresh™
Numéro de pièce W10355049
Produit de dégraissage pour
service intense
Numéro de pièce 31552A

GARANTIE LIMITÉE DE FOUR À MICRO-ONDES POSABLE WHIRLPOOL®

GARANTIE LIMITÉE DE UN AN

Pendant un an à compter de la date d'achat d'origine, lorsque ce four à micro-ondes est installé, utilisé et entretenu conformément aux instructions jointes au produit ou fournies avec celui-ci, Whirlpool Corporation ou de Whirlpool Canada LP (ci-après désignée "Whirlpool") choisira à son entière discrétion l'une des options suivantes : payer pour les pièces de rechange spécifiées par l'usine et la main-d'œuvre de réparation pour corriger les vices de matériaux ou de fabrication ou remplacer le produit. S'il est remplacé, l'appareil restera sous garantie pour la durée restant à courir de la garantie limitée d'un an du produit d'origine. Voir les instructions pour réparation/entretien ci-dessous.

LE SEUL ET EXCLUSIF RECOURS DU CLIENT DANS LE CADRE DE LA PRÉSENTE GARANTIE LIMITÉE CONSISTE EN LA RÉPARATION OU LE REMPLACEMENT DU PRODUIT PRÉVU PAR LA PRÉSENTE, ET CE À NOTRE DISCRÉTION. Le service de réparation/entretien doit être fourni par une entreprise de services désignée par Whirlpool. Cette garantie limitée est valide uniquement aux États-Unis ou au Canada et s'applique exclusivement lorsque le four à micro-ondes est utilisé dans le pays où il a été acheté. La présente garantie limitée est valable à compter de la date d'achat initial par le consommateur. Une preuve de la date d'achat d'origine est exigée pour obtenir une intervention de dépannage ou un remplacement dans le cadre de la présente garantie limitée.

ÉLÉMENTS EXCLUS DE LA GARANTIE

1. Les interventions de dépannage pour rectifier l'installation du four à micro-ondes, montrer à l'utilisateur comment utiliser le produit, remplacer ou réparer des fusibles du domicile, réenclencher les disjoncteurs ou rectifier le câblage ou la plomberie du domicile.
 2. Les interventions de dépannage pour réparer ou remplacer des ampoules électriques. Les pièces consommables ne sont pas couvertes par la garantie.
 3. Service à domicile. Le four à micro-ondes doit être envoyé à une entreprise de services de réparation désignée par Whirlpool.
 4. Les réparations ou le remplacement lorsque le four à micro-ondes est utilisé à des fins autres que l'usage domestique unifamilial normal ou lorsque les instructions d'installation et/ou les instructions de l'opérateur ou de l'utilisateur fournies ne sont pas respectées.
 5. Les dommages imputables à : accident, modification, usage impropre ou abusif, incendie, inondation, actes de Dieu, installation fautive ou installation non conforme aux codes d'électricité ou de plomberie ou utilisation de pièces consommables ou de produits de nettoyage non approuvés par Whirlpool.
 6. Les défauts apparents, notamment les éraflures, les bosses, écaillage ou tout autre dommage au fini du four à micro-ondes, à moins que ces dommages soient dus à des vices de matériaux ou de fabrication et soient signalés à Whirlpool dans les 30 jours suivant la date d'achat.
 7. Toute perte d'aliments due à la défaillance du four à micro-ondes.
 8. Les réparations aux pièces ou systèmes résultant d'une modification non autorisée apportée à l'appareil.
 9. Les fours à micro-ondes dont les numéros de série et de modèle originaux ont été enlevés, modifiés ou ne peuvent pas être facilement identifiés. Cette garantie est caduque si le numéro de série fourni par l'usine a été modifié ou retiré de l'appareil.
- Le coût d'une réparation ou de pièces de rechange dans le cadre de ces conditions d'exclusion est à la charge du client.
-

Si vous résidez aux États-Unis et que votre four à micro-ondes Whirlpool cesse de fonctionner durant la première année suivant son acquisition :

1. Appeler sans frais le Centre pour l'expérience de la clientèle au **1-800-253-1301**.
 2. Indiquer au conseiller le numéro de modèle et de série, ainsi que l'adresse d'expédition.
 3. Le conseiller vous indiquera si le four à micro-ondes peut bénéficier d'une réparation ou d'un remplacement.
 4. Dans le cas d'une réparation, il vous sera peut-être demandé d'envoyer le produit vers un centre de réparation désigné par Whirlpool. L'assurance et le fret jusqu'au centre de réparation désigné relèvent de votre responsabilité. Veuillez indiquer vos nom et adresse sur une feuille de papier avec une copie de votre preuve d'achat (reçu de caisse, bordereau d'achat, etc.). Le four à micro-ondes doit être correctement emballé pour éviter tout dommage pendant le transport car nous ne pourrions être tenus responsables d'un tel dommage.
 5. Whirlpool retournera à votre domicile l'appareil réparé ou, à sa discrétion, un four à micro-ondes identique ou comparable, et ce sans frais.
-

CLAUDE D'EXONÉRATION DE RESPONSABILITÉ AU TITRE DES GARANTIES IMPLICITES

LES GARANTIES IMPLICITES, Y COMPRIS LES GARANTIES APPLICABLES DE QUALITÉ MARCHANDE OU D'APTITUDE À UN USAGE PARTICULIER, SONT LIMITÉES À UN AN OU À LA PLUS COURTE PÉRIODE AUTORISÉE PAR LA LOI. Certains États et provinces ne permettent pas de limitation sur la durée de garanties implicites de qualité marchande ou d'aptitude à un usage particulier, de sorte que la limitation ci-dessus peut ne pas être applicable dans votre cas. Cette garantie vous confère des droits juridiques spécifiques et vous pouvez également jouir d'autres droits qui peuvent varier d'une juridiction à l'autre.

LIMITATION DES RECOURS; EXCLUSION DES DOMMAGES FORTUITS OU INDIRECTS

LE SEUL ET EXCLUSIF RECOURS DU CLIENT DANS LE CADRE DE LA PRÉSENTE GARANTIE LIMITÉE CONSISTE EN LA RÉPARATION OU LE REMPLACEMENT DU PRODUIT PRÉVU PAR LA PRÉSENTE, ET CE À NOTRE DISCRÉTION. WHIRLPOOL N'ASSUME AUCUNE RESPONSABILITÉ POUR LES DOMMAGES FORTUITS OU INDIRECTS. Certains États et provinces ne permettent pas l'exclusion ou la limitation des dommages fortuits ou indirects de sorte que ces limitations peuvent ne pas être applicables dans votre cas. Cette garantie vous confère des droits juridiques spécifiques et vous pouvez également jouir d'autres droits qui peuvent varier d'une juridiction à l'autre.

A l'extérieur du Canada et des 50 États des États-Unis, cette garantie ne s'applique pas. Contacter votre marchand Whirlpool autorisé pour déterminer si une autre garantie s'applique.

Si vous avez besoin de service, voir d'abord la section "Dépannage" du Guide d'utilisation et d'entretien. Vous trouverez de l'aide supplémentaire en consultant la section "Assistance ou service" ou en appelant Whirlpool. Aux É.-U., composer le **1-800-253-1301**. Au Canada, composer le **1-800-807-6777**. 6/10

Conservez ce manuel et votre reçu de vente ensemble pour référence ultérieure. Pour le service sous garantie, vous devez présenter un document prouvant la date d'achat ou d'installation.

Inscrivez les renseignements suivants au sujet de votre gros appareil ménager pour mieux vous aider à obtenir assistance ou service en cas de besoin. Vous devrez connaître le numéro de modèle et le numéro de série au complet. Vous trouverez ces renseignements sur la plaque signalétique située sur le produit.

Nom du marchand _____

Adresse _____

Numéro de téléphone _____

Numéro de modèle _____

Numéro de série _____

Date d'achat _____

W10434049B
SP PN W10434125A
© 2011 Whirlpool Corporation.
All rights reserved.
Tous droits réservés.

© Registered Trademark/TM Trademark of Whirlpool, U.S.A.,
Whirlpool Canada LP licensee in Canada
© Marque déposée/TM Marque de commerce de Whirlpool, U.S.A.,
Emploi sous licence par Whirlpool Canada LP au Canada



261800308560
12/11
Printed in China
Imprimé en Chine

Free Manuals Download Website

<http://myh66.com>

<http://usermanuals.us>

<http://www.somanuals.com>

<http://www.4manuals.cc>

<http://www.manual-lib.com>

<http://www.404manual.com>

<http://www.luxmanual.com>

<http://aubethermostatmanual.com>

Golf course search by state

<http://golfingnear.com>

Email search by domain

<http://emailbydomain.com>

Auto manuals search

<http://auto.somanuals.com>

TV manuals search

<http://tv.somanuals.com>