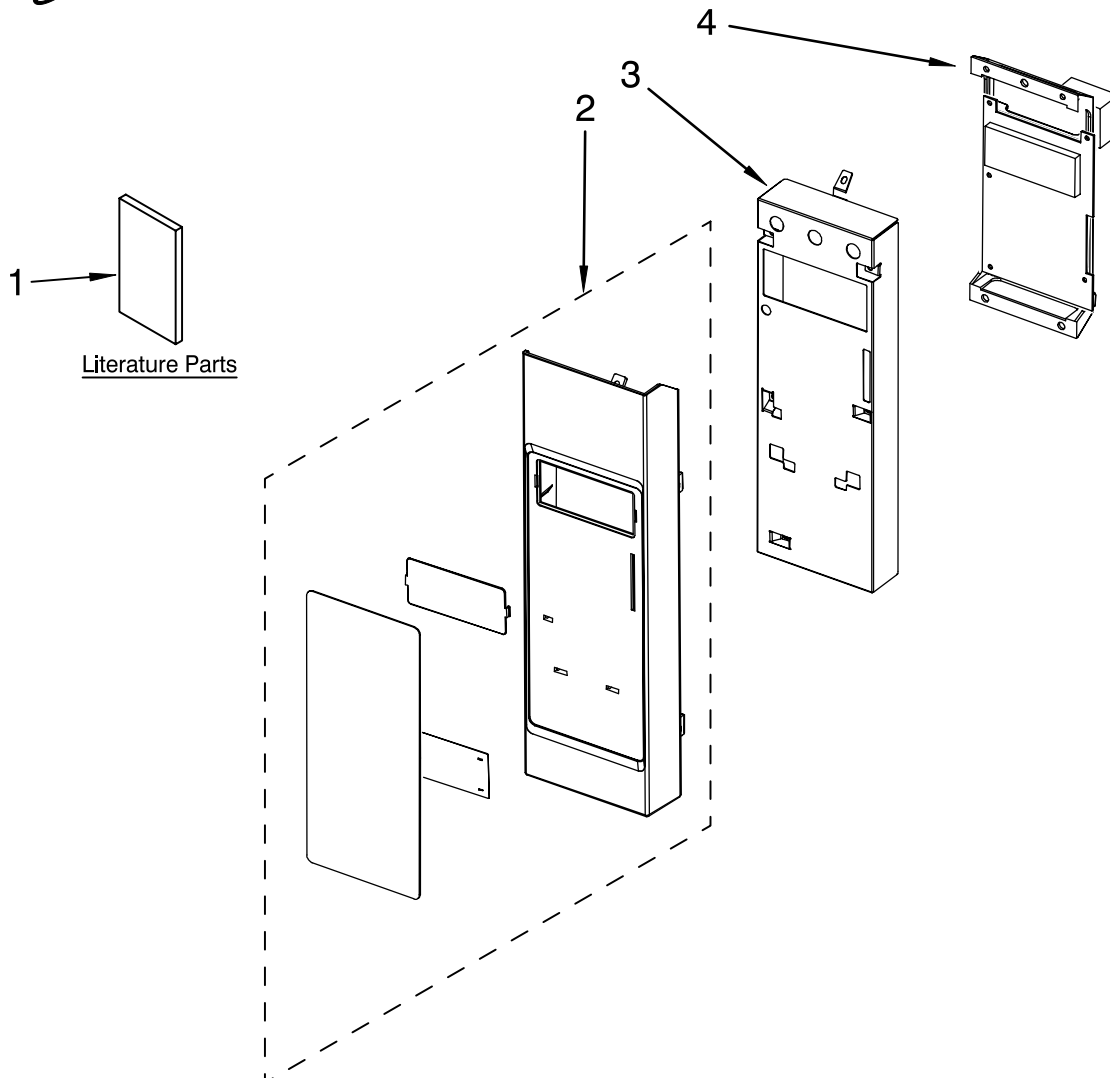


CONTROL PANEL PARTS

For Models: WMH1162XVQ1, WMH1162XVB1, WMH1162XVS1, WMH1162XVD1
 (DESIGNER WHITE) (BLACK) (STAINLESS) (UNIVERSAL SILVER)

Microwave Oven
 1.6 Cu. Ft.

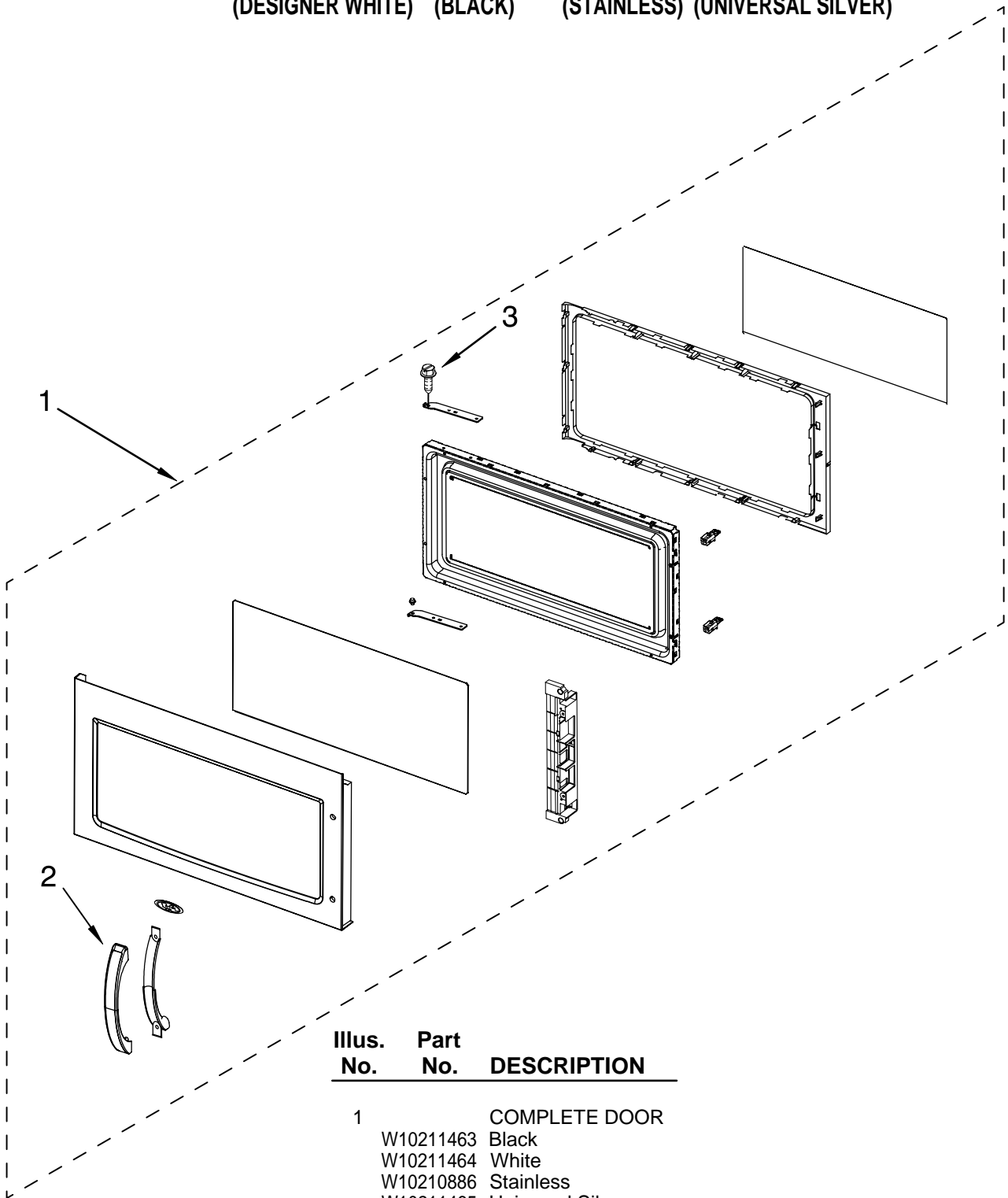


Illus. No.	Part No.	DESCRIPTION
1		Literature
	W10182518	U & C Guide
	W10191923	Tech Sheet, Slim
	8205879	Cook Guide Label
	W10189505	Install, Instruct
2		Panel Asy, Control
		Includes Lens and
		Membrane Switch
	W10211459	Black
	W10211460	White
	W10210864	Stainless
	W10211461	Universal Silver
3	W10210862	Bracket, Control
4	W10211457	Microcomputer

FOR ORDERING INFORMATION REFER TO PARTS PRICE LIST

DOOR PARTS

For Models: WMH1162XVQ1, WMH1162XVB1, WMH1162XVS1, WMH1162XVD1
 (DESIGNER WHITE) (BLACK) (STAINLESS) (UNIVERSAL SILVER)

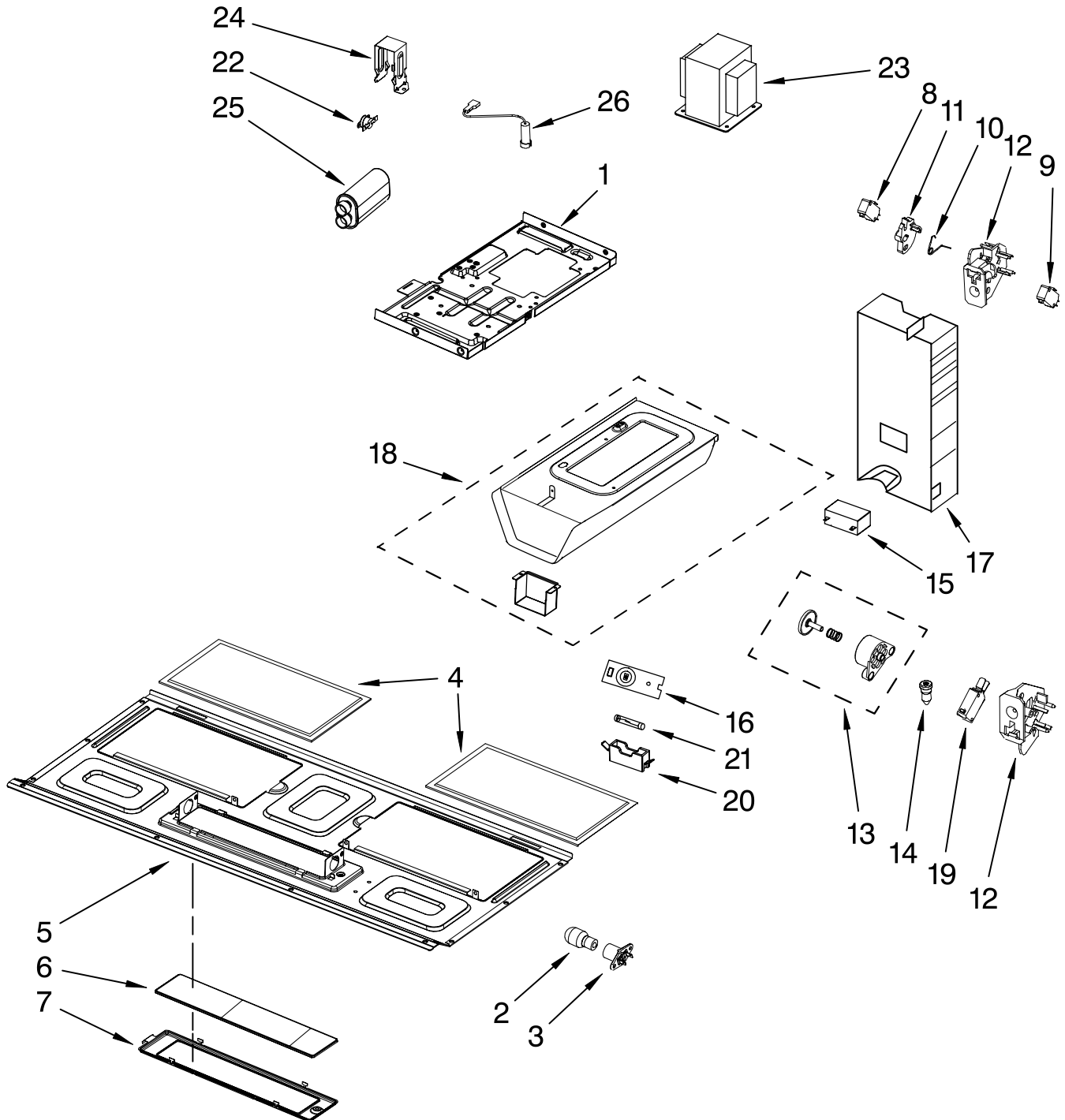


Illus. No.	Part No.	DESCRIPTION
1		COMPLETE DOOR
	W10211463	Black
	W10211464	White
	W10210886	Stainless
	W10211465	Universal Silver
2		Handle
	W10211466	White
	W10211467	Black, US
	W10210887	Stainless
3	W10138802	Screw

FOR ORDERING INFORMATION REFER TO PARTS PRICE LIST

INTERIOR AND VENTILATION PARTS

For Models: WMH1162XVQ1, WMH1162XVB1, WMH1162XVS1, WMH1162XVD1
(DESIGNER WHITE) (BLACK) (STAINLESS) (UNIVERSAL SILVER)



FOR ORDERING INFORMATION REFER TO PARTS PRICE LIST

INTERIOR AND VENTILATION PARTS

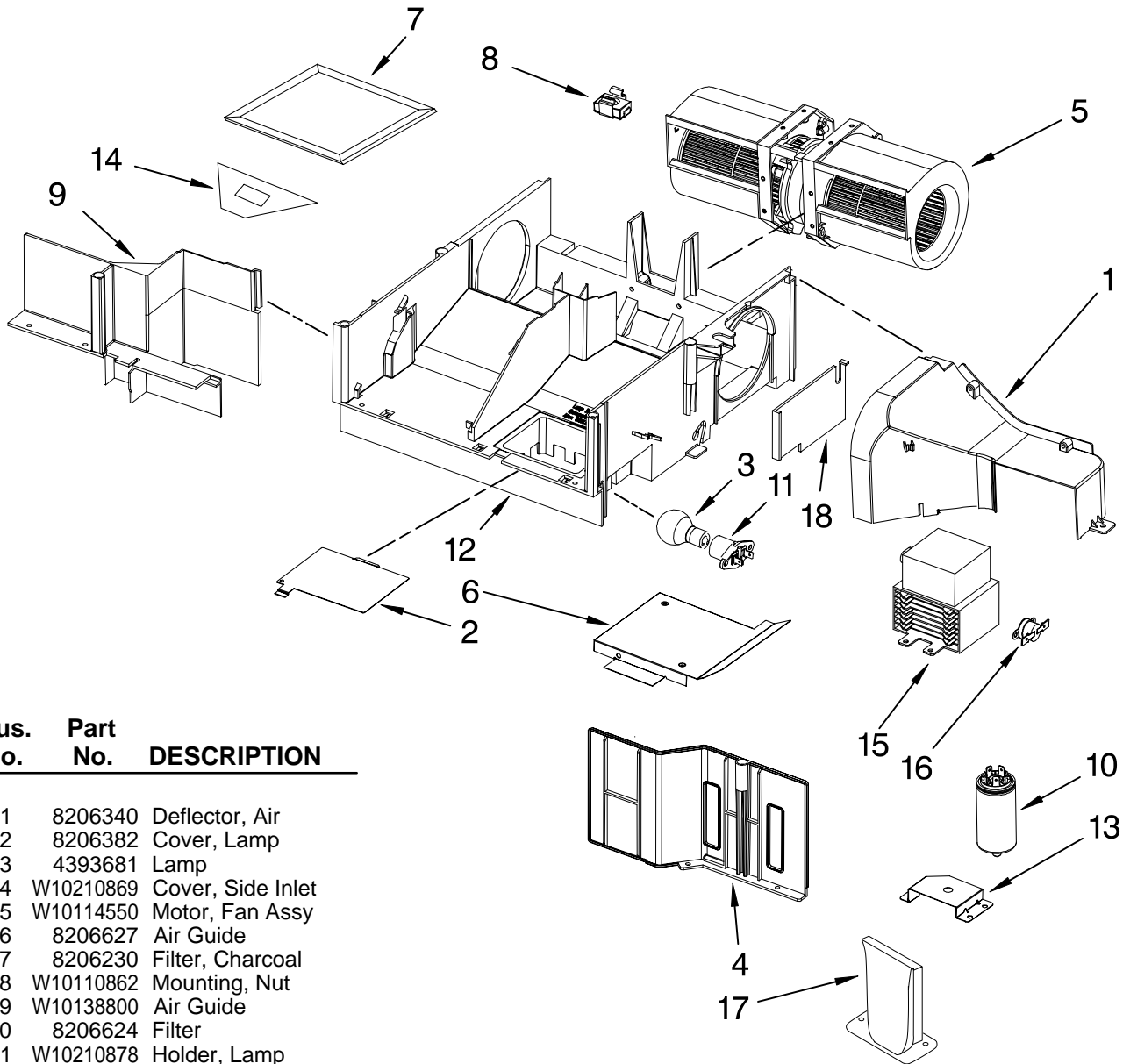
For Models: WMH1162XVQ1, WMH1162XVB1, WMH1162XVS1, WMH1162XVD1
(DESIGNER WHITE) (BLACK) (STAINLESS) (UNIVERSAL SILVER)

Illus. No.	Part No.	DESCRIPTION
1	W10163420	Chassis
2	8206232	Lamp
3	W10210871	Holder, Lamp
4	W10181505	Filter, Grease
5	W10225455	Plate, Bottom
6	W10210875	Glass, Lamp
7	W10210873	Holder, Glass
8	W10211972	Switch, Micro V15T16-CZ200
9	W10211973	Switch, Micro V15T16-CC200
10	W10156812	Spring, Interlock
11	W10156811	Plate, Cam
12		Support, Interlock
	8206419	Top
	W10156813	Bottom
13	W10197758	Piston Assembly
14	8206180	Screw
15	W10210855	Capacitor, 125 V
16	W10163422	Thermistor (PCBA)
17	W10163421	Plate, Side
18	W10163423	Chassis Assembly
19	W10211974	Switch, Micro V15T16-CP200
20	W10117908	Holder, Fuse
21	W10138793	Fuse
22	8206359	Terminal Cvr,Lamp
22	8206379	Thermostat
23	8206343	Transformer, H.V.
24	W10156817	Bracket, Capacitor
25	W10138798	Capacitor, H.V.
26	W10163432	Diode, H.V.

FOR ORDERING INFORMATION REFER TO PARTS PRICE LIST

AIR FLOW PARTS

For Models: WMH1162XVQ1, WMH1162XVB1, WMH1162XVS1, WMH1162XVD1
(DESIGNER WHITE) (BLACK) (STAINLESS) (UNIVERSAL SILVER)

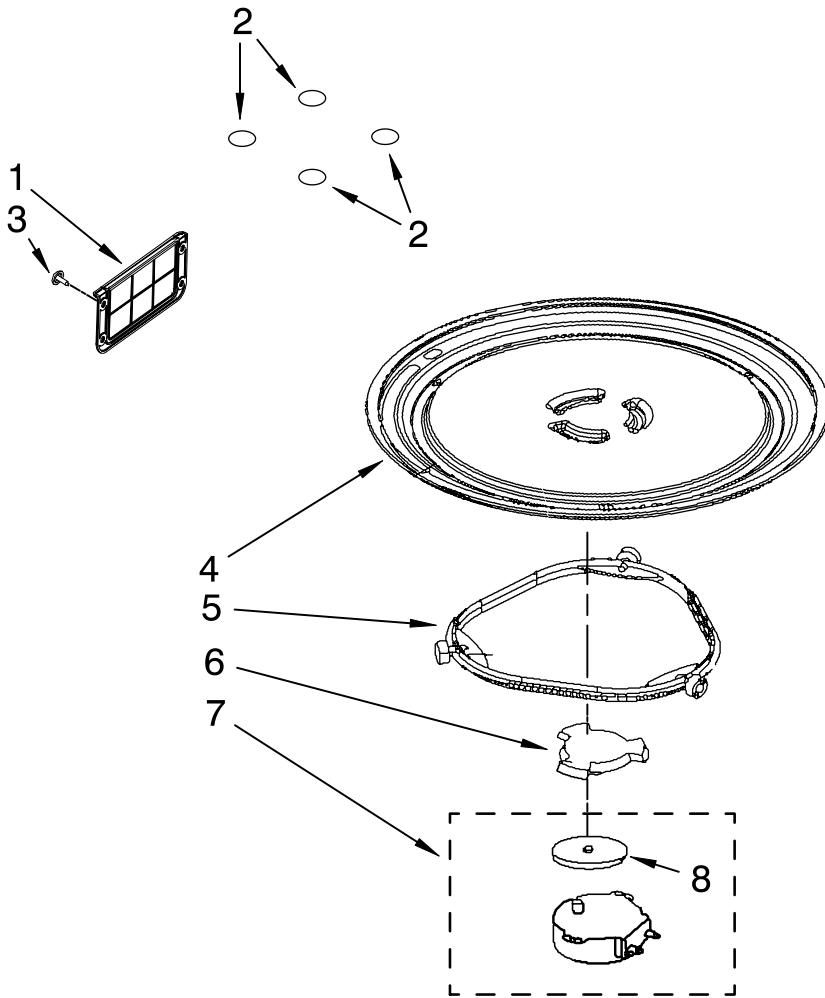


Illus. No.	Part No.	DESCRIPTION
1	8206340	Deflector, Air
2	8206382	Cover, Lamp
3	4393681	Lamp
4	W10210869	Cover, Side Inlet
5	W10114550	Motor, Fan Assy
6	8206627	Air Guide
7	8206230	Filter, Charcoal
8	W10110862	Mounting, Nut
9	W10138800	Air Guide
10	8206624	Filter
11	W10210878	Holder, Lamp
12	W10210881	Base Plate, Air Guide
13	W10156815	Brkt-Mntg,Filter
14	W10139750	Socket, Motor Wire
15	W10216360	Magnetron
16	8206342	Thermostat
17	W10164716	Plate, Water Proof
18	W10210884	Cover, Right Duct

FOR ORDERING INFORMATION REFER TO PARTS PRICE LIST

TURNTABLE PARTS

For Models: WMH1162XVQ1, WMH1162XVB1, WMH1162XVS1, WMH1162XVD1
 (DESIGNER WHITE) (BLACK) (STAINLESS) (UNIVERSAL SILVER)

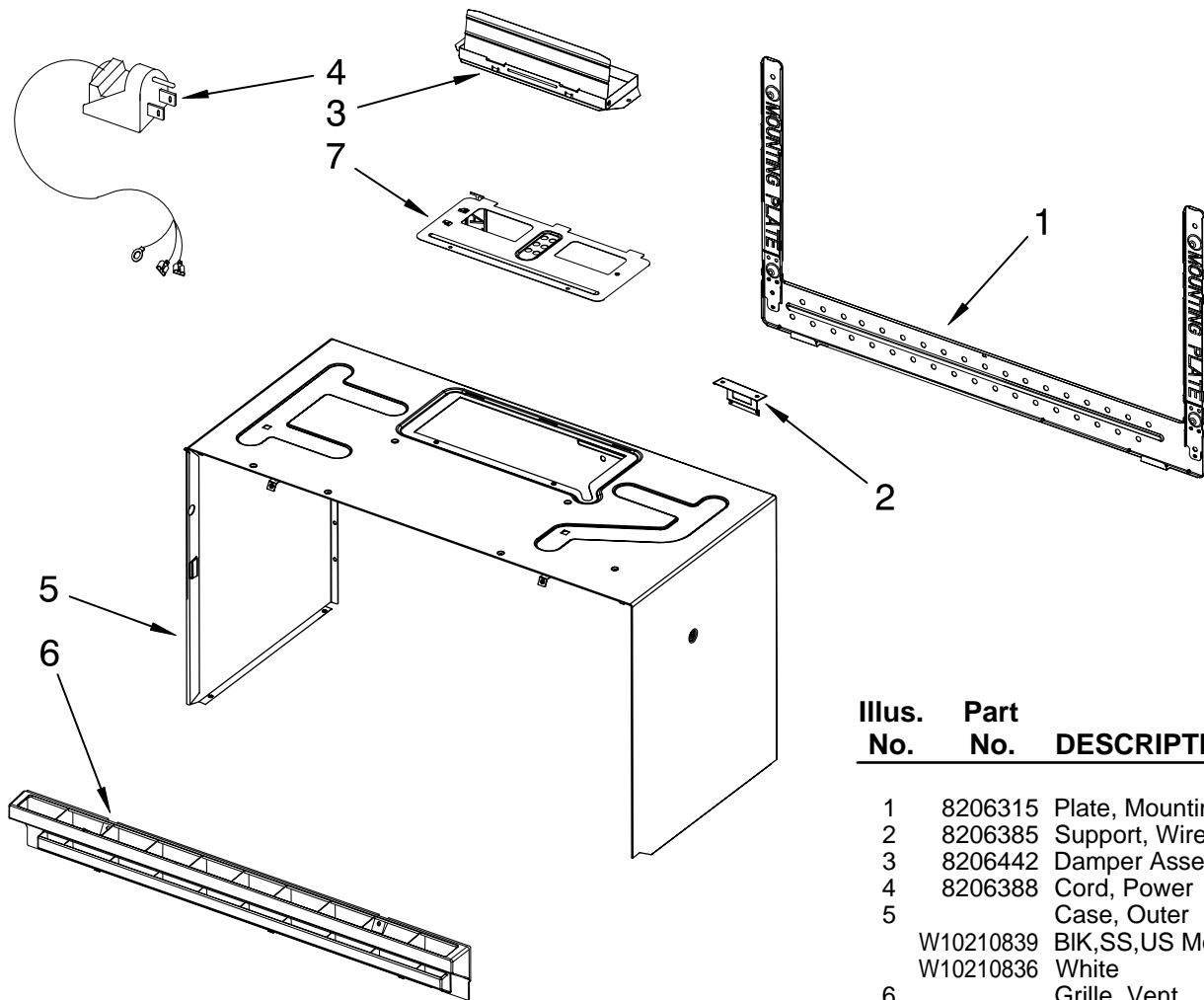


Illus. No.	Part No.	DESCRIPTION
1	8206389	Cover, Inlet Includes Nails and Bushings
2	W10108800	Cavity Plugs
3	W10138801	Plastic Rivets
4	4393799	Turntable
5	8206227	Ring, Turntable
6	8206228	Driver, Turntable
7	W10210848	Motor, Turntable
8	8184109	Seal, Waterproof

FOR ORDERING INFORMATION REFER TO PARTS PRICE LIST

CABINET AND INSTALLATION PARTS

For Models: WMH1162XVQ1, WMH1162XVB1, WMH1162XVS1, WMH1162XVD1
(DESIGNER WHITE) (BLACK) (STAINLESS) (UNIVERSAL SILVER)



Illus. No.	Part No.	DESCRIPTION
1	8206315	Plate, Mounting
2	8206385	Support, Wire Clip
3	8206442	Damper Assembly
4	8206388	Cord, Power
5		Case, Outer
	W10210839	Blk,SS,US Models
	W10210836	White
6		Grille, Vent
	8206391	Blk,SS,US Models
	8206390	White
7	W10210832	Plate, Damper

Miscellaneous

8206614	Installation, Hardware
8205871	Template, Upper
W10138802	Screw, Top Mountng
W10212887	Main Harness
W10163438	Ground Wire Assy
8206415	H.V. Wire Assy
W10107760	Grnd Wire, Filter
W10210892	HdImp/TT Wire Assy
W10163436	HV Trnsfmr Wr Assy
W10163439	Harness Wire, NTC

FOR ORDERING INFORMATION REFER TO PARTS PRICE LIST

Free Manuals Download Website

<http://myh66.com>

<http://usermanuals.us>

<http://www.somanuals.com>

<http://www.4manuals.cc>

<http://www.manual-lib.com>

<http://www.404manual.com>

<http://www.luxmanual.com>

<http://aubethermostatmanual.com>

Golf course search by state

<http://golfingnear.com>

Email search by domain

<http://emailbydomain.com>

Auto manuals search

<http://auto.somanuals.com>

TV manuals search

<http://tv.somanuals.com>