



**WHIRLPOOL AUSTRALASIA
CONSUMER SERVICES**

SERVICE MANUAL

UNDERBENCH OVEN

**Model 6AKP524/IX
Versions 8577 524 53010**

**Model 6AKP524/WH
Versions 8577 524 53000**

Copyright © 2001 Whirlpool (Australia) Pty. Limited

All rights strictly reserved. Reproduction or issue to third parties in any form whatsoever is not permitted without written authority of Whirlpool (Australia) Pty. Limited

Whirlpool is a registered trademark of Whirlpool U.S.A.

This documentation is intended only for qualified technicians who possess the required qualifications and are aware of the regulatory requirements applicable to servicing electrical appliances.

CONTENTS

	Page
TECHNICAL DATA	3
INSTALLATION DETAILS	3
EXPLODED VIEW	4
SPARE PARTS LIST	5
WIRING DIAGRAM	6

TECHNICAL DATA**Electrical connection**

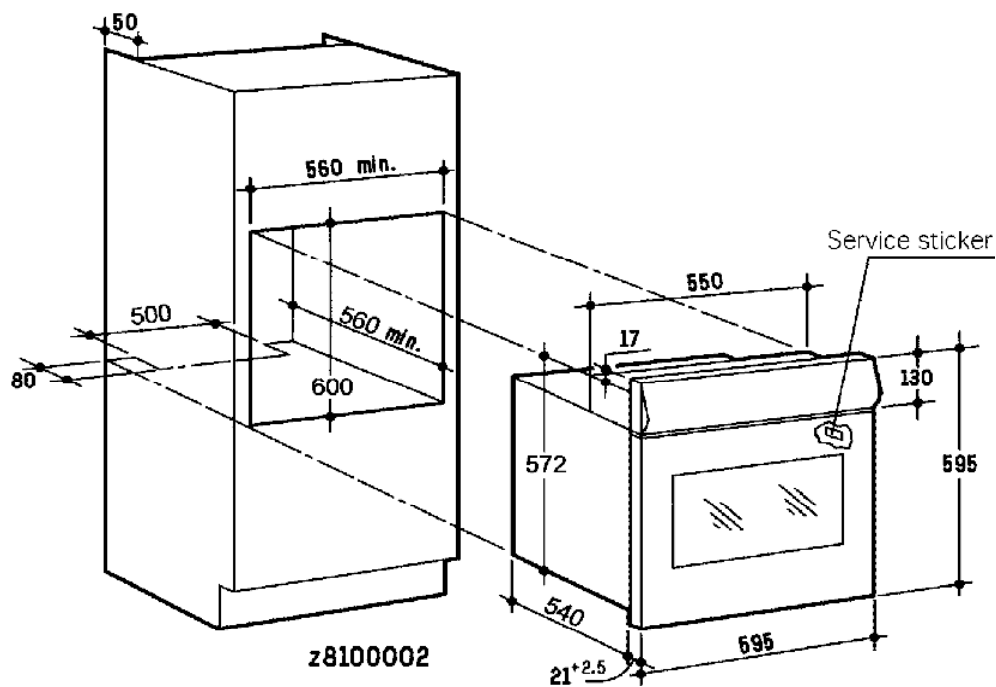
Rated voltage	230-240	V ~
Main connection	230-240 V 1N~ 50 Hz	
Total connected load	2400	W
Dual grill total	2200	W
Dual grill left	860	W
Circulation heating element	1920	W

Electrical components

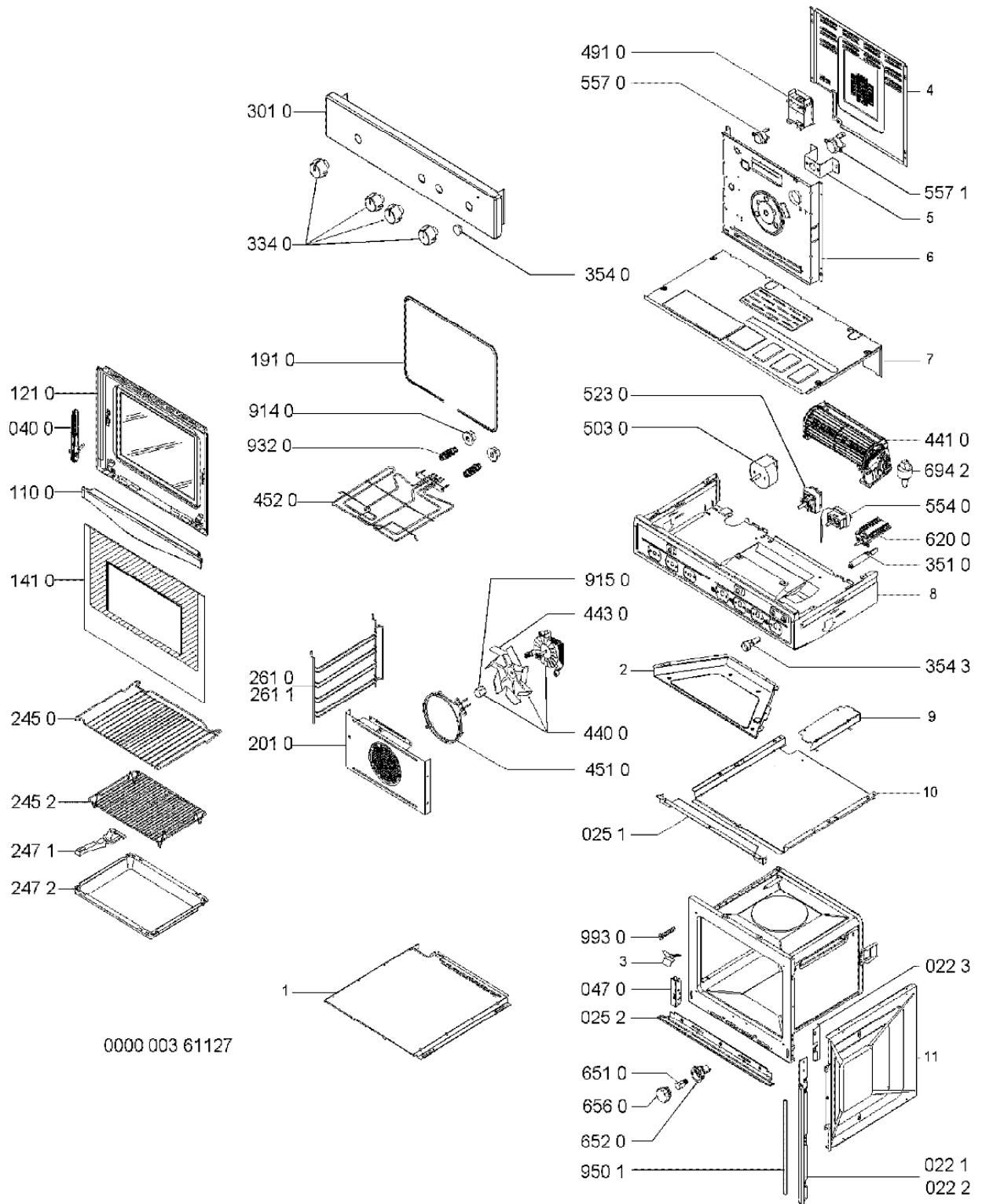
Auto timer Automatic-off

Accessories

Pan set enamelled	415 x 318	mm
Grid chrome	446.5 x 340	mm

INSTALLATION DETAILS

EXPLODED VIEW

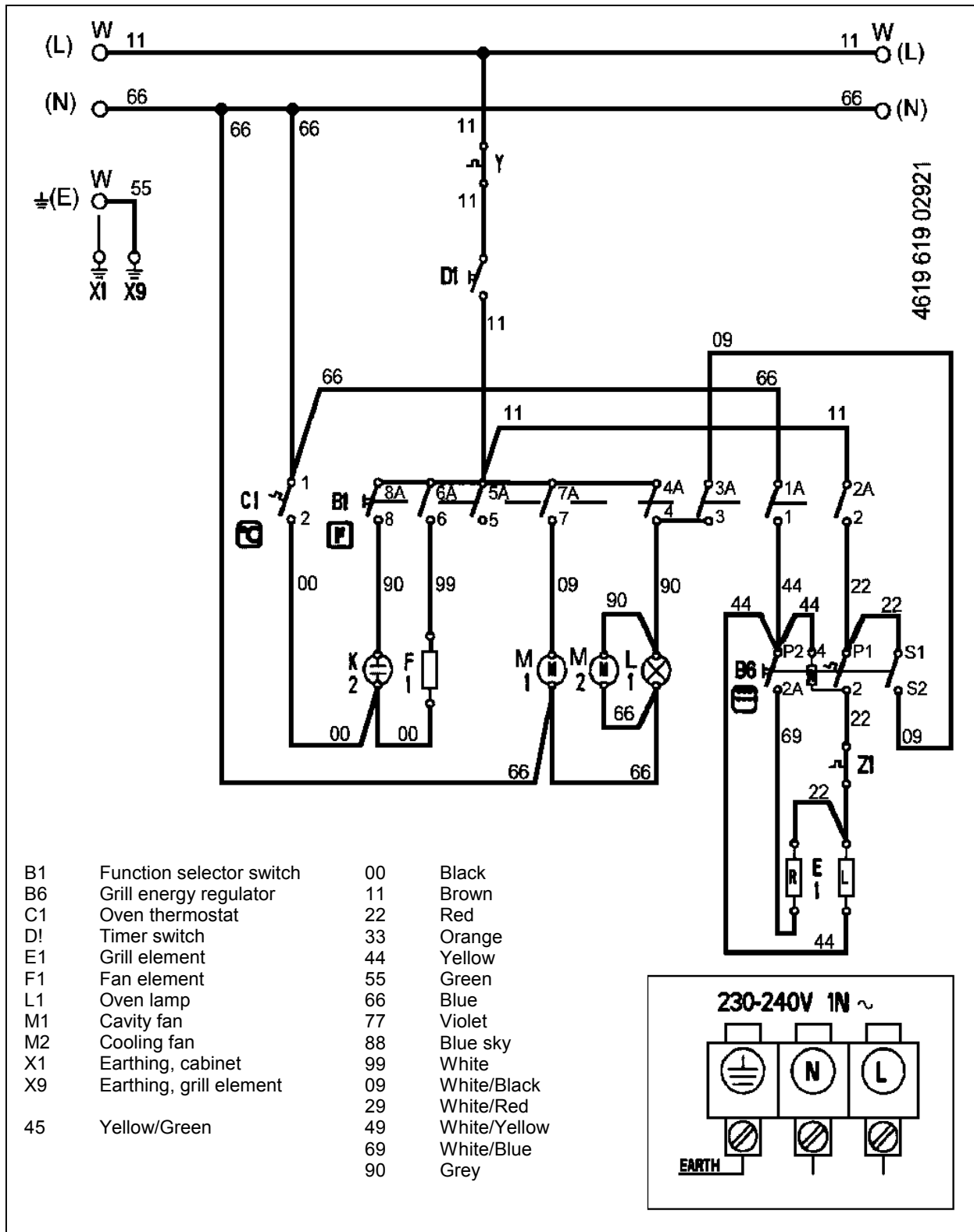


0000 003 61127

PARTS LIST

Item	Part No		Description
	6AKP524/WH	6AKP524/IX	
022 1	4819 460 78827	4819 460 78452	Trim, side left
022 2	4819 460 78826	4819 460 78451	Trim, side right
022 3	4819 310 39642	4819 310 39642	Angle bracket left + right
025 1	4819 460 78628	4819 460 78628	Trim, lower
025 2	4819 460 78849	4819 460 78851	Trim, lower
040 0	4812 417 18838	4812 417 18838	Hinge
047 0	4812 417 18837	4812 417 18837	Hinge runner mechanism
110 0	4812 498 78058	4812 498 78061	Door handle
121 0	4819 442 39501	4819 442 39501	Inner door, oven
141 0	4812 450 58296	4812 450 58317	Oven glass
191 0	4819 468 18109	4819 468 18109	Gasket 1045 mm
201 0	4812 442 69022	4812 442 69022	Panel, rear
245 0	4819 458 68752	4819 458 68752	Oven shelf
245 2	4819 458 19538	4819 458 19538	Grid
247 1	4819 395 48003	4819 395 48003	Griller handle
247 2	4812 418 38056	4812 418 38056	Fat pan
261 0	4819 458 68282	4819 458 68282	Inset grid right
261 1	4819 458 68283	4819 458 68283	Inset grid left
301 0	4812 452 48298	4812 452 48299	Panel, control
334 0	4812 412 78554	4812 412 78556	Knob
351 0	4819 134 48424	4819 134 48424	Pilot lamp
354 0	4819 462 79749	4819 462 79749	Lens red
354 3	4819 462 38759	4819 462 38759	Guide pilot lamp
440 0	4819 361 78242	4819 361 78242	Circulating fan, complete
441 0	4819 361 18476	4819 361 18476	Cooling fan, complete
443 0	4819 515 48065	4819 515 48065	Fan wheel
451 0	4819 259 28823	4819 259 28823	Heating element, fan
452 0	4819 259 28938	4819 259 28938	Grill element
491 0	4812 290 68168	4812 290 68168	Connection block
503 0	4819 282 18675	4819 282 18675	Timer
523 0	4819 273 28321	4819 273 28321	Grill energy controller
554 0	4819 282 28603	4819 282 28603	Thermostat
557 0	4812 252 28035	4812 252 28035	Temperature limiter
557 1	4819 282 28564	4819 282 28564	Thermostat safety
620 0	4819 273 28412	4819 273 28412	Hex.code switch
651 0	4819 134 88153	4819 134 88153	Lamp, oven
652 0	4819 255 18237	4819 255 18237	Holder,lamp rear
656 0	4819 450 69844	4819 450 69844	Lamp screen rear
694 2	4819 466 69505	4819 466 69505	Stopper
914 0	4819 505 18323	4819 505 18323	Nut, grill element
915 0	4819 505 18145	4819 505 18145	Nut, circulating fan
932 0	4819 492 68714	4819 492 68714	Spring
950 1	4819 468 18336	4819 468 18336	Gasket
993 0	4819 310 39648	4819 310 39669	Accessories

WIRING DIAGRAM



Free Manuals Download Website

<http://myh66.com>

<http://usermanuals.us>

<http://www.somanuals.com>

<http://www.4manuals.cc>

<http://www.manual-lib.com>

<http://www.404manual.com>

<http://www.luxmanual.com>

<http://aubethermostatmanual.com>

Golf course search by state

<http://golfingnear.com>

Email search by domain

<http://emailbydomain.com>

Auto manuals search

<http://auto.somanuals.com>

TV manuals search

<http://tv.somanuals.com>