

PETRA

COLLECTION
OWNER'S MANUAL



pedicure
spas



Owner's Manual

Standard Whirlpool Jet

PETRA 700
PETRA 500
PETRA 450
PETRA 350R** or V***
PETRA 300

SANIJET® Pipeless (Optional)

PETRA 700-S*
PETRA 500-S
PETRA 450-S
PETRA 350R** or V***-S
PETRA 300-S

S*=SANIJET® Pipeless R**=Roller Massage V***=Vibration Massage
--

Table of Contents

Introduction & Safety Standards	3
Important Considerations	4
Identifying Parts & Description (For Petra 700 & 500)	5
Massage System (For Petra 450, 350R, 350V & 300)	6
Chair Assembly (For Petra 700&500)	7
Chair Assembly (For Petra 450, 350R, 350V & 300)	8
Specifications (All Petra Collections)	9
Testing & Cleaning	10
Maintenance for Pipeless S-type Pedicure Spa (SANIJET®)	11, 12
Maintenance for Standard Pedicure Spa (Whirlpool Pump)	13, 14
Optional Discharge Pump installation guide	15
Lubrication (For Petra 700 & 500 Series)	16
Warranty Statement	17

Introduction

Thank you for purchasing the PETRA Whirlpool Pedicure Spa. This finest Whirlpool Pedicure Spa has been developed by J&A USA, Inc. to operate dependably for many years when used properly. Please take time to read this entire manual thoroughly before installation and use.

PLEASE READ AND FOLLOW INSTRUCTIONS CAREFULLY!

Important Precautions

J&A USA requires that you contact your local, qualified electrician and plumber to install your PETRA Whirlpool Pedicure Spa. It cannot operate efficiently or safely unless it is provided with adequate electrical power, sufficient water pressure, proper water temperature and required drain facilities. Information on these important subjects contained in this manual. We urge you to read it carefully to make sure these requirements are met.

Precautions

- 1 Excessive water temperature is dangerous and should be checked before use. Maximum water temperature should not exceed 100 deg. F. (38 deg. C.).
- 2 Always enter and exit the Whirlpool Pedicure Spa slowly and carefully.
- 3 Never bring and/or operate any electrical devices into or near the Whirlpool Pedicure Spa.
- 4 Do not stand in the whirlpool tub!
- 5 This Whirlpool Pedicure Spa has a weight capacity of 250lb.

WARNING

Do Not use if you are diabetic, have poor blood circulation, or if any area of your feet or legs are inflamed or have open wounds. Consult a physician before using if you have any kind of fungal infection, swelling, fracture, or persistent pain.

Massage should be pleasant and comfortable.

IF YOU EXPERIENCE PAIN OR DISCOMFORT, DISCONTINUE USE IMMEDIATELY AND CONSULT A PHYSICIAN.

This product in whole is in compliance with the applicable UL LISTED standards and requirements for the US and Canada by Underwriters Laboratories Inc.



Some of the components of this product are also in compliance with the applicable safety standards of the following:



Important Considerations

Please read the following instructions thoroughly

Inspection

Please take time to inspect each pedicure spa shipment thoroughly for damages immediately upon delivery. If damages are found, it is very important to notify the freight driver and indicate extent of the damages on the bill of lading. If you fail to do so, J&A USA will not be responsible for the damages and may not be able to make appropriate claims to the freight carrier. Any damage claims must be filed directly by receiver to the freight carrier.

Electrical Service

Each Foot spa must have its own dedicated 115V, 60 Hz, 15 Amp GFCI protected grounded circuit.

Water Supply

Water supply to the PETRA pedicure spa should consist of a system that will provide both adequate water pressure and water temperature. All plumbing connections must conform to local codes.

Water Pressure

Normal water pressure of 30 to 120 P.S.I. is required to correctly fill the tub to the proper level.

Back Flow Prevention Device

- For following states: AZ, CA, IL, MN, NE, NV, OR, TX, WA, and WI;

All PETRA pedicure spa are equipped with factory installed Dual Check Back Flow Preventer.

Specification:

Tested and certified to meet ANSI/ASSE standard 1024. CSA certified to standard No.B64.6

Pressure / Temperature

Maximum pressure: 150 psi (10 bars)

Minimum pressure: 10 psi (69kPa)

Working temperature: 33F to 140F constant; intermittent to 180F
(0.6C to 60C sustained; intermittent to 82.2C)

Maximum recommended flow: 15 gpm (571pm)

-For all other states:

As an option, the Dual Check Back Flow Preventer will be factory installed.

* Inquire with governing authorities for local installation requirements.

Drain Facilities

Connect the Foot spa drain to meet local plumbing codes.

Please refer to the installation drawings on pages 9-10.

Foot spa is recommended securely fastened to the floor

Fasten the Foot spa with at least two fasteners.

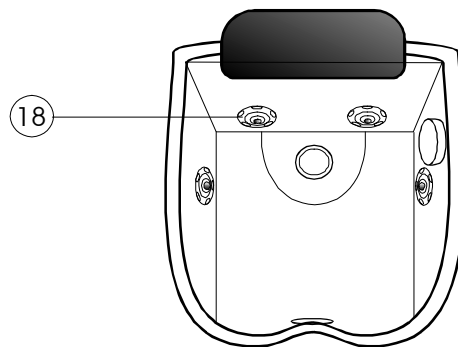
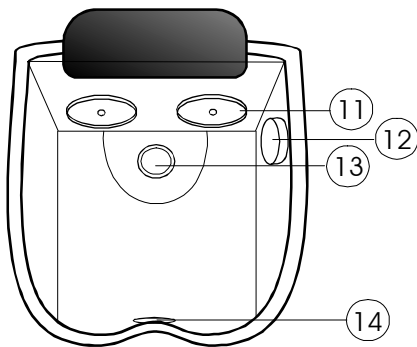
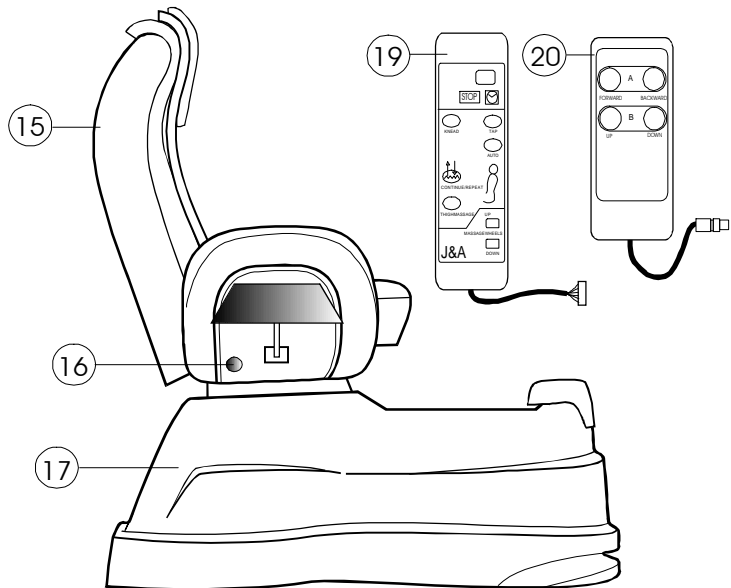
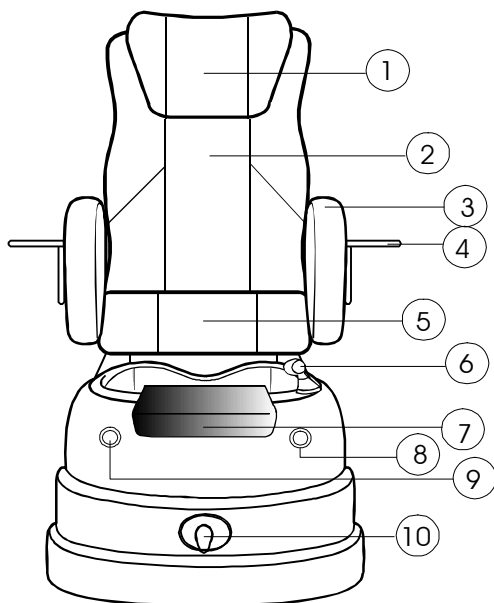
Installation Summary

The installation must comply with local, state, and federal building, plumbing and electrical codes, where applicable. A licensed plumber should complete the plumbing of the pedicure spa.

Note: Failure to comply with federal, state or local codes and ordinances will result in warranty being null and void.

PETRA 700 & 500

IDENTIFYING PARTS



SANIJET-Pipeless

Standard Whirlpool Jet

PARTS

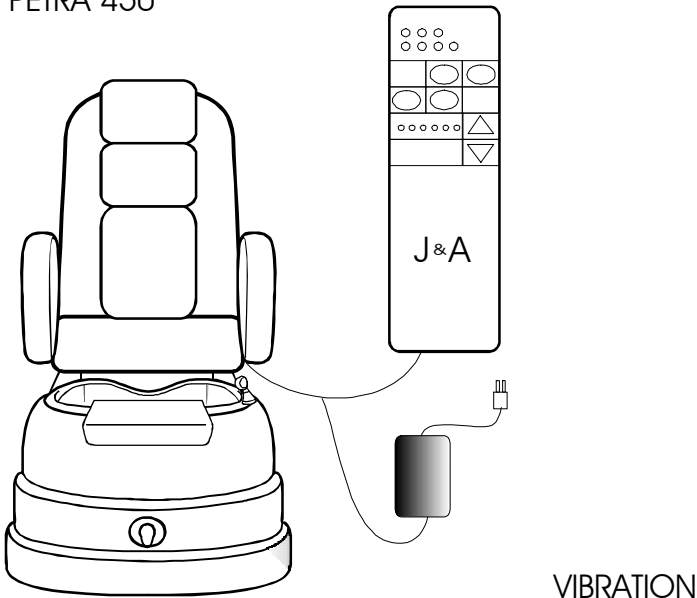
- | | |
|--|-------------------------------------|
| 1 - PILLOW COVER | 11 - SANIJET PUMP IMPELLER |
| 2 - BACK REST | 12 - OVERFLOW WASTE KNOB |
| 3 - ARM REST | 13 - POP-UP DRAIN STOPPER |
| 4 - MATCHING ARM TRAY (OPTIONAL) | 14 - LIGHT COVER |
| 5 - SEAT CUSHION | 15 - BACK PANEL |
| 6 - SHOWER SPRAYER | 16 - ARM REST LEVER |
| 7 - ADJUSTABLE FOOT CUSHION | 17 - BASE (SHELL) |
| 8 - ON/OFF WHIRLPOOL BUTTON | 18 - WHIRLPOOL JET |
| 9 - OPTIONAL ON/OFF BUTTON (LIGHT or DISCHARGE PUMP) | 19 - MASSAGE REMOTE CONTROL |
| 10 - FAUCET | 20 - SLIDE / RECLINE REMOTE CONTROL |

Due to continuous improvements on all our products; specifications, characteristics, packing, colors, designs are subject to change without notice

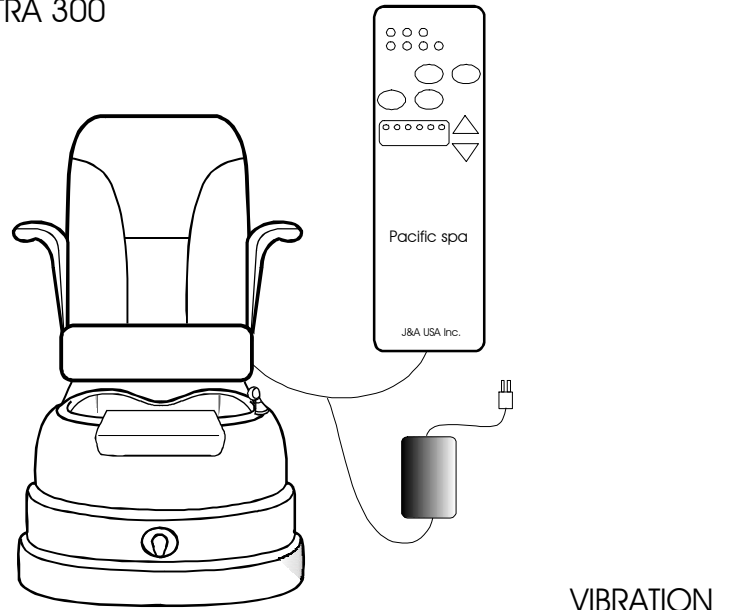
PETRA 450, 350R, 350V & 300

MASSAGE SYSTEM

PETRA 450



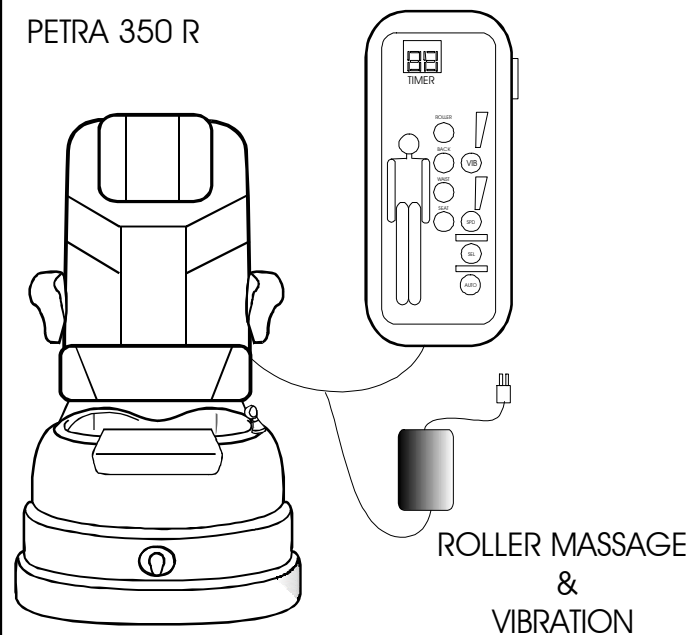
PETRA 300



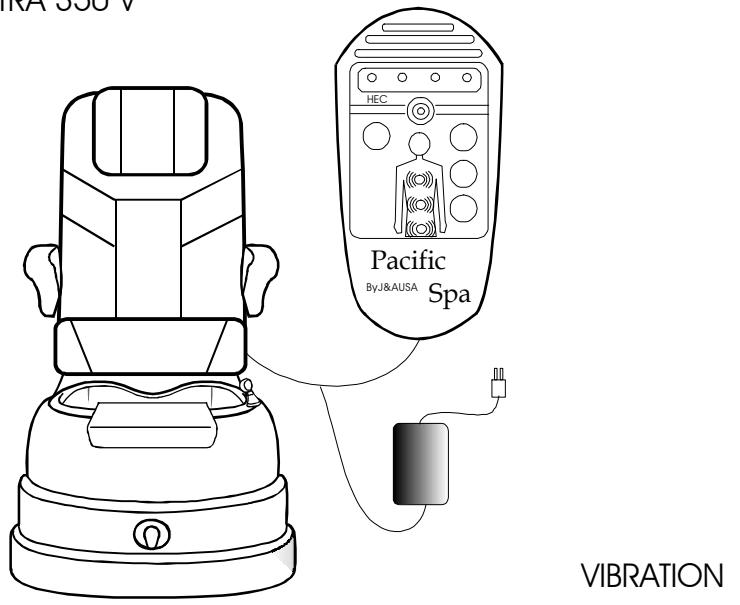
TRANSFORMER
MODEL: GRA 1215
INPUT: AC 120V, 60Hz
OUTPUT: DC 12V, 1.5A

TRANSFORMER
MODEL: GRA 1215
INPUT: AC 120V, 60Hz
OUTPUT: DC 12V, 1.5A

PETRA 350 R



PETRA 350 V



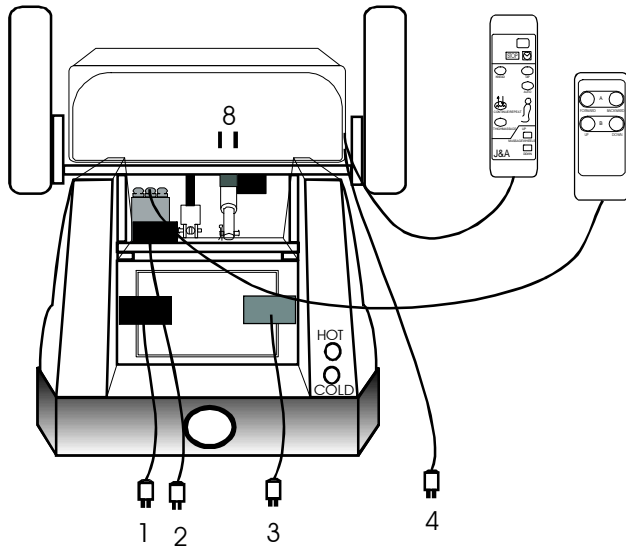
TRANSFORMER
MODEL: AD-57241200
INPUT: 120V, AC 60Hz
OUTPUT: 24V, DC 1.2A

TRANSFORMER
MODEL: MKD-57121500
INPUT: 120V, AC 60Hz
OUTPUT: 12V, DC 1.5A

Due to continuous improvements on all our products; specifications, characteristics, packing, colors, designs are subject to change without notice

PETRA 700 & 500 SERIES CHAIR ASSEMBLY

PETRA 700

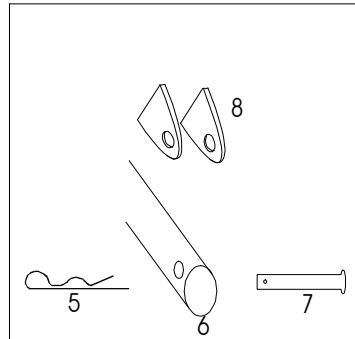


- 1) LIGHT BOX POWER CORD
- 2) SLIDER / RECLINER POWER CORD
- 3) SANIJET CONTROL BOX POWER CORD
- 4) CHAIR MASSAGE POWER CORD
- 5) HITCH PIN CLIP
- 6) RECLINING PISTON
- 7) CLEVIS PIN
- 8) SUPPORT ARM BRACKET

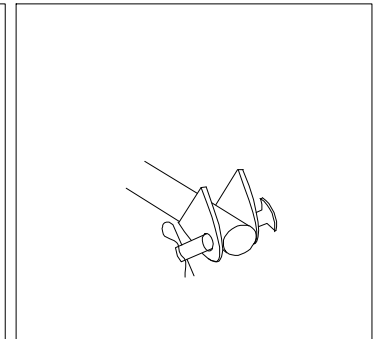
IMPORTANT ASSEMBLY INSTALLATION

PRIOR TO USE

BEFORE ASSEMBLY



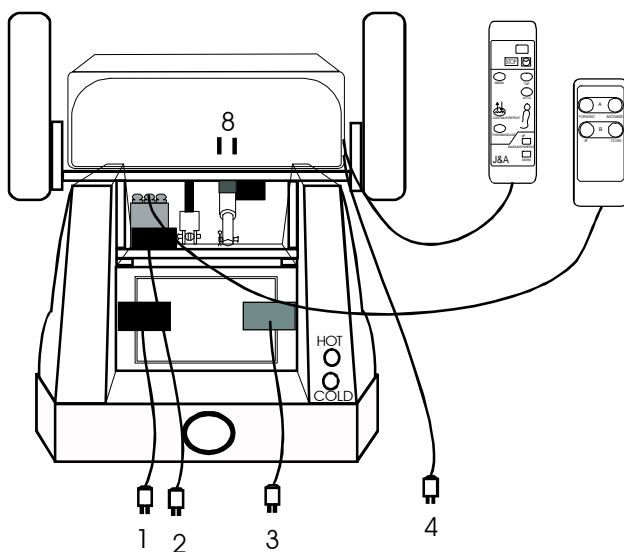
AFTER ASSEMBLY



CHAIR ASSEMBLY FOR PETRA 700 & 500 SERIES

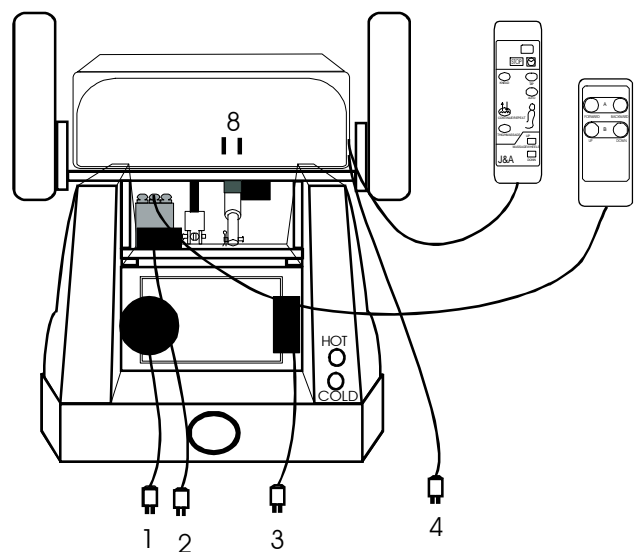
- 1) REMOVE HITCH PIN AND CLEVIS PIN FROM RECLINING PISTON
- 2) LIFT THE CHAIR AND PLACE THE RECLINING PISTON ON SUPPORT ARM BRACKET
- 3) INSERT CLEVIS PIN
- 4) SECURE WITH HITCH PIN CLIP

PETRA 500 WITH PIPELESS SANIJET



- 1) LIGHT BOX POWER CORD
- 2) SLIDER / RECLINER POWER CORD
- 3) SANIJET CONTROL BOX POWER CORD
- 4) CHAIR MASSAGE POWER CORD

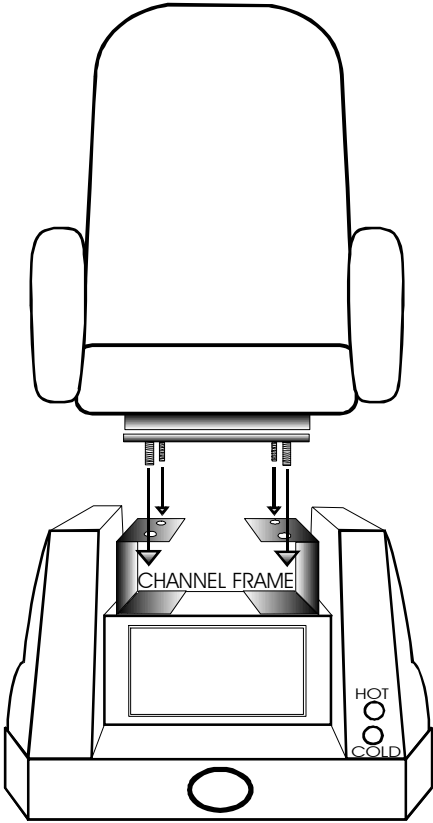
PETRA 500 WITH WHIRLPOOL JET



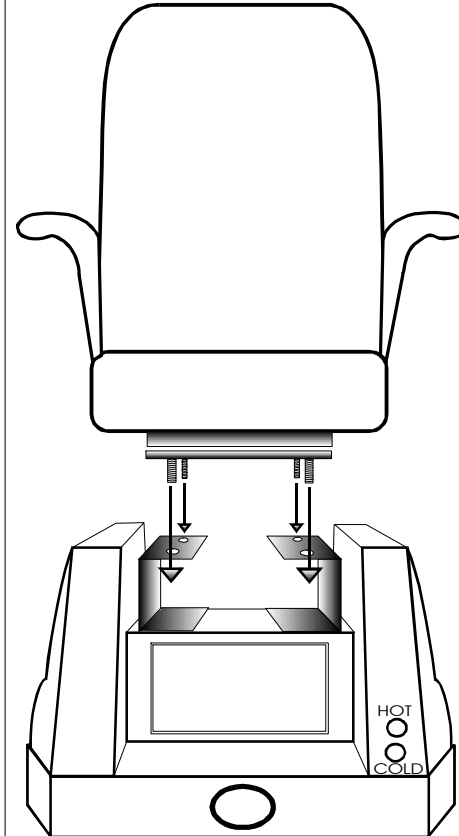
- 1) WHIRLPOOL PUMP POWER CORD
- 2) SLIDER / RECLINER POWER CORD
- 3) LIGHT BOX POWER CORD
- 4) CHAIR MASSAGE POWER CORD

Rear View

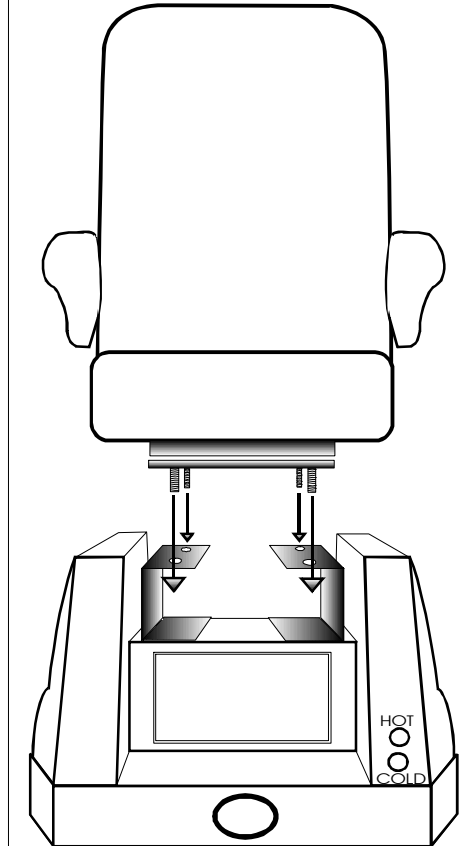
PETRA 450



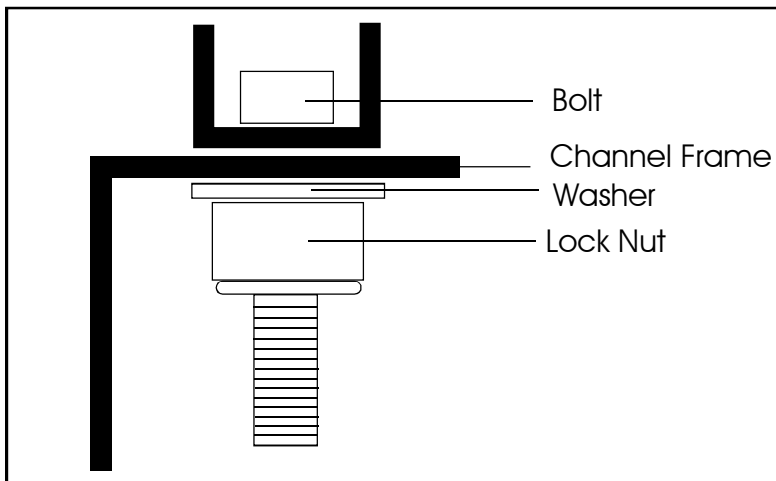
PETRA 300



PETRA 350R & 350V

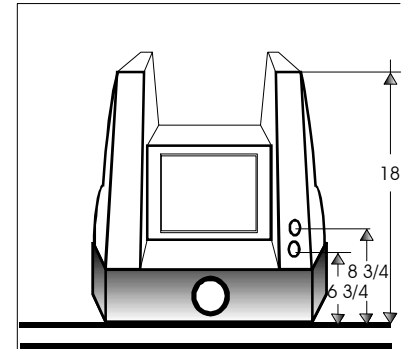
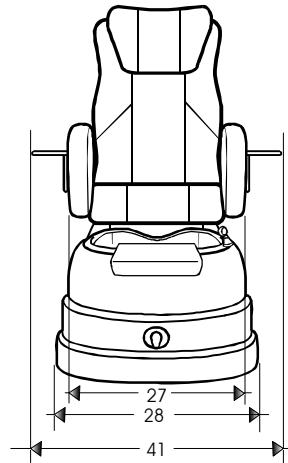
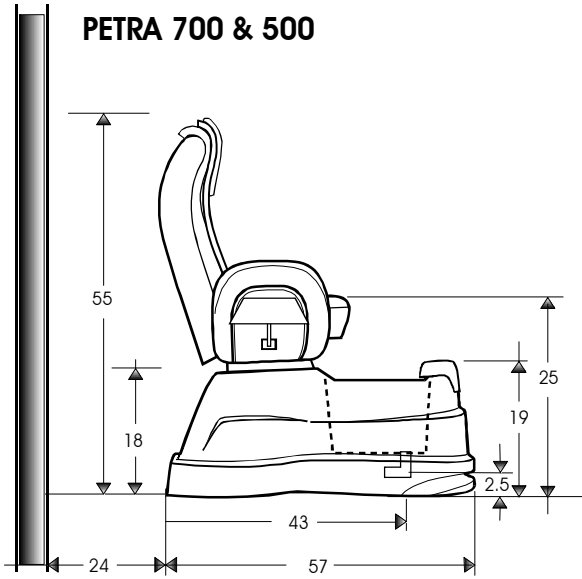


- 1) REMOVE THE LOCK NUT FROM THE BOLTS
- 2) ALIGN FOUR BOLTS WITH FOUR HOLES ON THE CHANNEL FRAME
- 3) TIGHTEN EACH LOCK NUTS TO SECURE THE CHAIR TO THE BASE



PETRA COLLECTION SPECIFICATIONS

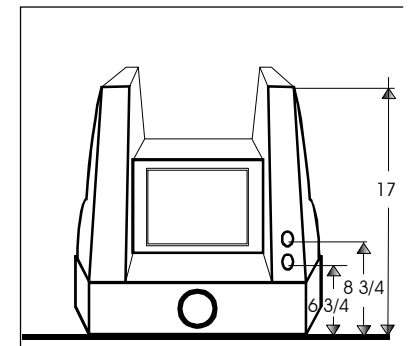
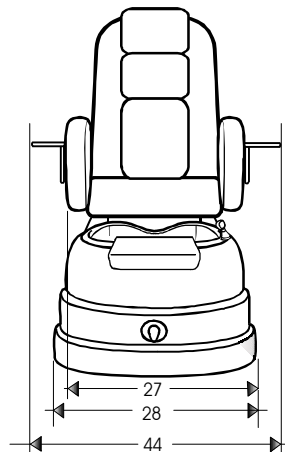
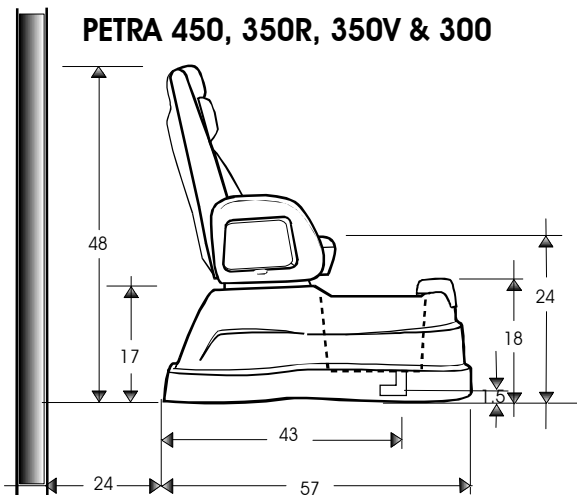
PETRA 700 & 500



HOT & COLD 0.5 inches
Fittings included

WALL

PETRA 450, 350R, 350V & 300



HOT & COLD 0.5 inches
Fittings included

Petra Collection Specifications

Capacity	All Petra Series	5 gallons
Power Source	SaniJet	115v, 60Hz
Plumbing Source	Whirlpool Pump	0.5HP, 115VAC, 5.5 Amp, 60Hz (GFCI protected)
Hot & Cold Water	Hot & Cold Water	0.5 inches (Fitting Included)
Drain		1.5 inches
Dimension & Weight	Petra 700	57L x 28W x 55H
	Petra 500	57L x 28W x 54H
	Petra 450	57L x 28W x 48H
	Petra 350R or V	57L x 28W x 51H
	Petra 300	57L x 28W x 48H

TOTAL AMPS PER SPA : 10.6 Amp

Due to continuous improvements on all our products; specifications, characteristics, packing, colors, designs are subject to change without notice

Plumbing Connections

All plumbing connections should be made by a qualified, licensed plumber in accordance with local plumbing and building codes.

Hot and Cold Water Supply Lines

Connect 1/2" ID supply tubes to a fresh water source. Shut-off valves should be utilized.

Electrical Connections

The Foot spa must be plugged into a GFCI protected outlet, installed by a licensed electrician.

Testing the Foot spa

Clean the tub and fill with water to the wave-mark (water level) on the wall of the tub.

When the tub is filled with water, turn the switch on the front of the pedicure spa to activate the whirlpool pump. Water should be coming out of the jets and the Air Bleed spout. Check for whirlpool leaks. After checking under the tub for leaks, use the same switch to turn the whirlpool pump off and drain the tub basin by opening the overflow/waste control handle and turning on the Power Drain Pump if installed.

Cleaning and Care of Your Foot spa Between Each Customer

- Drain all water and remove debris from the pedicure spa.
- Clean the surfaces and walls of the Foot spa with soap or detergent and rinse with clean, clear water
- Disinfect with an EPA-registered disinfectant.
- Wipe out with a clean towel.

Flushing of the Whirlpool System

Caution: J&A USA requires that the pedicure spa be thoroughly cleaned after every 10th pedicure and after the last pedicure of the day. It is extremely important to flush the whirlpool system of the Foot spa to prevent harmful bacteria from growing and to prolong the life of your pedicure spa.

- Remove the Suction Fitting Cover with a phillips screwdriver
- Scrub the suction cover with a chlorine bleach solution of 1 (one) teaspoon of 5% chlorine bleach to 1 gallon of water, or
- Totally immerse the suction Fitting cover in an EPA-registered disinfectant and scrub.
- Replace the Suction Fitting Cover with a screwdriver. Do not over tighten the mounting screw.
- Do not run the pedicure spa whirlpool jets without the Suction Fitting Cover in place.
- Fill the tub basin near the wave mark on the rear wall with hot water.
- Turn the whirlpool jets on.
- Add 3 (three) teaspoons of low foaming "crystal" dishwasher detergent and 2 (two) ounces of household bleach to the tub basin.
- Run whirlpool for 10-15 minutes and drain the tub basin.
- Fill the tub basin near the wave mark on the rear wall with cold water.
- Run the whirlpool jets for 5 minutes and drain the tub basin.
- Clean the pedicure spa with a soft cloth and a mild detergent.

Weekly Disinfecting Procedure of the Whirlpool System

- After following the outlined procedures for daily cleaning, fill the pedicure spa tub with hot water and 4 (four) teaspoons of 5% bleach solution.
- Circulate the solution through the whirlpool system for 5-10 minutes.
- Let the solution sit overnight (at least 6-10 hours).
- The following morning (before the first customer) run the foot spa for 5 minutes and drain.
- Follow the procedure "Flushing of the Whirlpool System".

FOR SANIJET®-PIPELESS SYSTEM USERS ONLY

Maintenance

Keep the screen of the jet inlet free of debris, any blockage of the screen reduces the whirlpool action and may cause damage to the jet motor.

Cleaning Pipeless Jet System

Remove the jet assembly from its casing: Rotate the jet assembly counterclockwise and pull outward. Remove the impeller cap: rotate the impeller cap clockwise (OFF) and lift outward.

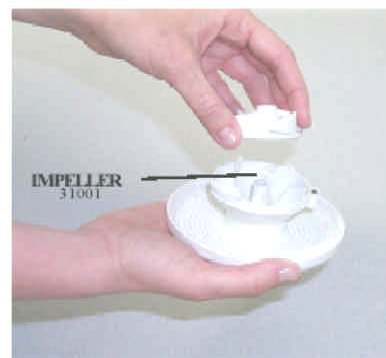
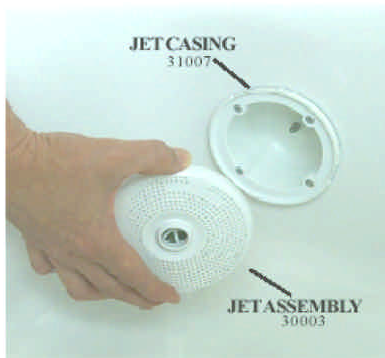
Remove impeller.

Clean the components. After each jet is disassembled, the jet parts and jet casings can be cleaned by hand. Jet parts may be cleaned in your dishwasher by placing them in the top rack away from any heating element. Excessive heat (over 170i/EF) can damage the plastic parts. Jet casing can be easily cleaned with a non-abrasive anti-bacterial cleaner when cleaning the tub shell.

Warning

DO NOT use if you are diabetic, have poor blood circulation, or if any area of your feet or leg is inflamed or has open wound. Please consult your physician before using, if you have any kind of fungal infection/s, swelling, fracture or persistent pain.

Assembly of the jet and maintenance



Disassembly

- 1) Prior to removing the jet assembly, turn off the power
- 2) Remove the jet assembly from its casing: Rotate the jet assembly counterclockwise and pull outward.
- 3) Remove the impeller cap: Rotate the impeller cap clockwise (OFF) and lift outward.
- 4) Remove the impeller

Assembly

- 1) Place impeller on a jet assembly
- 2) Place the impeller cap: Rotate the impeller cap counterclockwise.
- 3) Place the jet assembly to its casing: Rotate the jet assembly clockwise and push inward.

Caution

To reduce the potential risk of fire, electrical shock, or injury to persons:

- 1) All electrical wiring (both installation & repair) must be done by a licensed electrician and in accordance with local and state ordinances.
- 2) No modifications, additions or deletions should be made to the pump, without factory approval.
- 3) Before starting motor, fill up the tub with water to level recommended by whirlpool manufacturer. Never run pump dry!
- 4) Do not relocate pump without prior approval from factory.

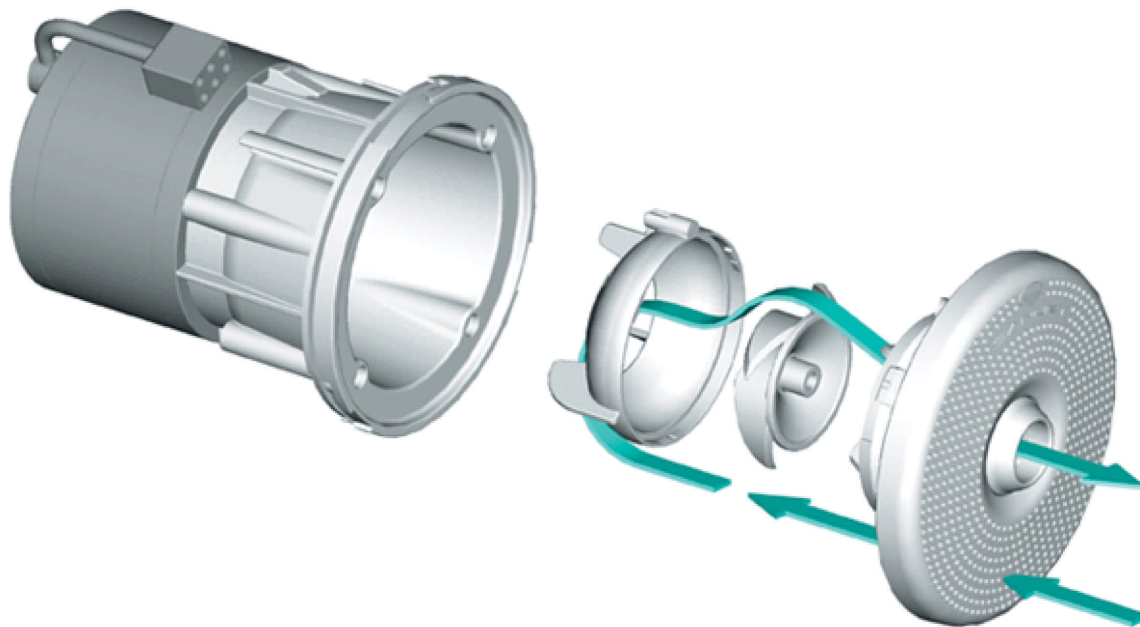
Warning

To reduce the risk of injury, do not permit children to use this product unless they are closely supervised at all times.

To reduce the risk of electric shock, replace damage cord immediately. And do not use extension cord to connect unit to electric supply; provide a properly located outlet.

TROUBLESHOOTING GUIDE

SYMPTOMS	PROBABLE CAUSES	RECOMMENDED ACTION
Pump will not turn on	No power to motor	Check switch, fuse or breaker, also connection from motor to switch
Pump runs slow	Pump not wired same as voltage supplied	Check pump to connect voltage



FOR STANDARD WHIRLPOOL SYSTEM USERS ONLY

Maintenance

Keep the screen of the suction inlet free of debris, any blockage of the screen reduces the whirlpool action and may cause damage to the whirlpool pump motor.

Cleaning/ Flushing the inner whirlpool system

Fill up with warm water up to proper level.

Apply 3 tsp of low foaming dish washing detergent, 1 tsp of the regular bleach into the tub.

Start the whirlpool for 5 min and let it still for 5 min and run again for two minutes.

Drain out the water and fill up again with warm water.

Let it run for 5 minutes

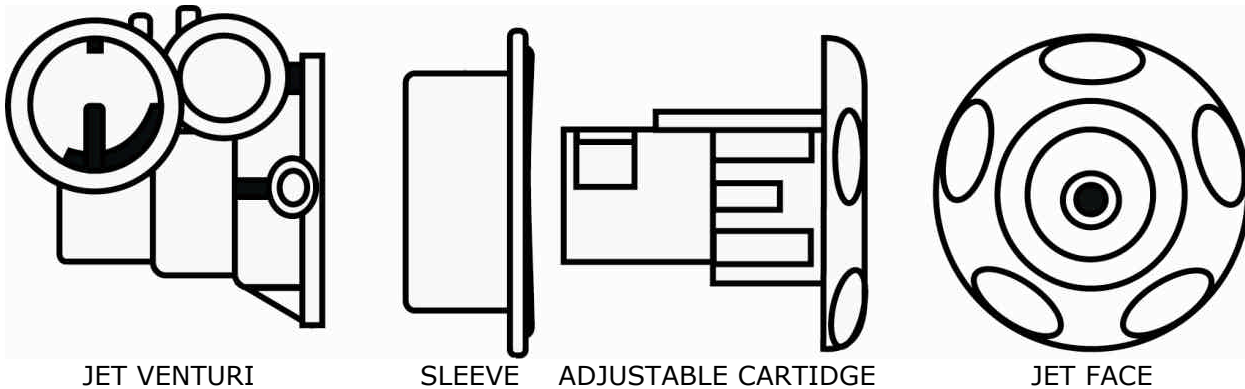
Drain out the water.

Wipe dry with soft cloth.

Warning

DO NOT use if you are diabetic, have poor blood circulation, or if any area of your feet or leg is inflamed or has open wound/s. Please consult your physician before using, if you have any kind of fungal infection/s, swelling, fracture or persistent pain.

Assembly of the jet and maintenance



Assembly

- 1) With jet VENTURI and jet body in position, insert the cartridge into the body and lightly press the jet face until the face clicks into the position.
- 2) Use finger to rotate the eyeball into position. If the assembly is seated, the eyeball will stay in the correct position.

Disassembly

Press the eyeball inwards with your thumb. The eyeball will move freely when spring is compressed. Using the fingers, grasp the edge of the jet and pry the face the body. It will snap out and clean thoroughly, in jet, body, and cartridge for good maintenance as well as prevention from build up.

CAUTION

To reduce the potential risk of fire, electrical shock, or injury to persons:

- 1) All electrical wiring (both installation & repair) must be done by a licensed electrician and in accordance with local and state ordinances.
- 2) No modifications, additions or deletions should be made to the pump, without factory approval.
- 3) Before starting motor, fill tub with water to level recommended by whirlpool manufacturer. Never run pump dry!
- 4) Motors have a built-in automatic reset over load protector that guards against damage from mechanical or electrical problems such as low voltage, locked pump or similar abnormal conditions. Remember, if the timer device is still on, these motors will restart automatically - as soon as they cool down.
- 5) Do not relocate pump without prior approval from factory.

WARNING

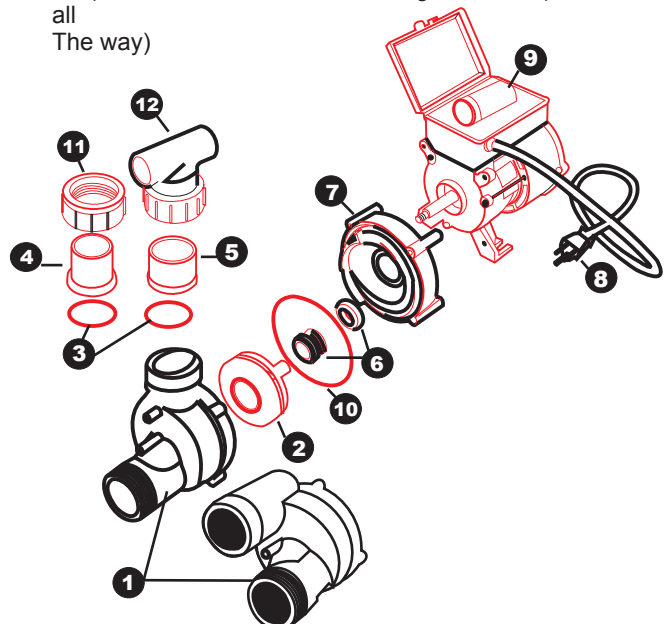
- To reduce the risk of injury, do not permit children to use this product unless they are closely supervised at all times.
- To reduce the risk of electric shock, replace damage cord immediately. And Do not use extension cord to connect unit to electric supply,; provide a properly located outlet.

TROUBLE SHOOTING GUIDE

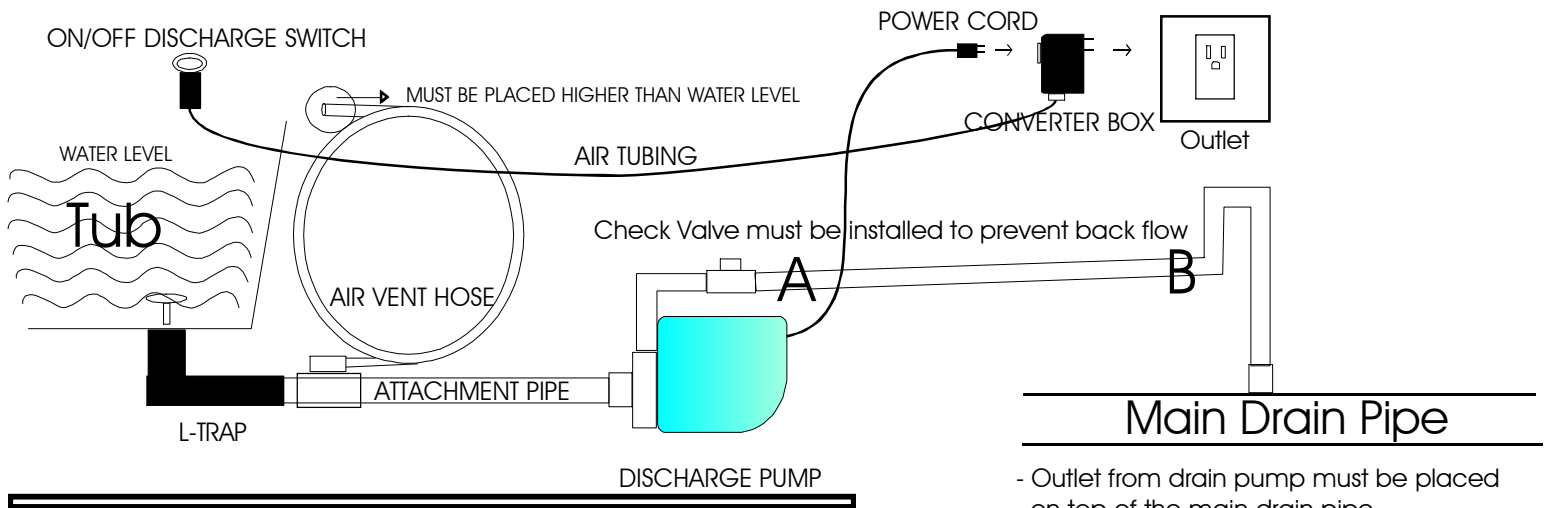
SYMPTOMS	PROBABLE CAUSES	RECOMMENDED ACTION
Pump will not turn on	No power to motor	Check switch and fuse or breaker, also connection from motor To switch.
Pump runs slow.	Pump not wired same as voltage supplied	Check pump to correct voltage.
Pump Humms.	Something stuck in impeller. Wire not tight..	Take pump apart and clean impeller(as shown below). Check terminals.
Pump Humms but Will not turn.	Pump jammed.	Remove dust cap and rotate motor shaft with screwdriver. If unable to turn, send in for repair.
Noisy pump	Something in the pump.	Take pump apart and remove debris.
Pump leaks.	Bad bearing. Hose clamps or union loose. Bolts holding tank loose. Leak around shaft from worn seal. Pump creeps.	Replace Bearing. Tighten. Tighten Replace shaft seal. Secure pump to floor.
Pump cavitates.	Air from jets getting in suction	Direct directional flow fitting away from suction fitting.
Pump runs but No jet action.	Air lock.	Turn pump on, wait 10 seconds. Turn pump off. Repeat up to 10 times. If airlock is not cure, try turn tee union #12) as shown in clock-wise and tighten back.(Do not turn all The way)

PUMP PARTS LIST

ITEM	PARTS#	DESCRIPTION
1	WWVF	FRONT VOLUTE
2	WWIMP	IMPELLER
3	UPUFO/R	UNION O RING
4	UPUFM	UNION MALE 1 1/2"
5	UPUFF	UNION FEMALE 1 1/2"
6	PPSSFSEAL	SEAL ASSEMBLY
7	PPWWVB	VOLUTE BACK
8	PPWWCORD	POWER CORD
9	MPASHU506	AIR SWITCH
10	PPWWVO/R	VOLUTE O RING
10	UPUFNUT	UNION NUT 1 1/2"
12	UNUTEE	UNION TEE 1 1/2 X 1 X 1"



Discharge Pump Installation (Optional)



To prevent the possible air lock, B has to higher than A

- Outlet from drain pump must be placed on top of the main drain pipe

- Do not use flexible pipe for drain

FAQ

1) Pump hums but does not drain the water out

- Air Lock : Piping elevation must be above discharge pump outlet so that air can be released
- Turn pump on, wait 5 seconds, turn pump off. Repeat 10 times. If the air is not released, detach attachment pipe and re-attach

Quick Tip: Use a plunger to release the air lock

2) Pump does not turn on

- Check the power source
- Check if the air tubing is properly attached from the switch to the converter box
- Check attachment pipes thoroughly for debris

3) Noise when turn on

- Foreign object may be lodged - Disassemble and remove debris or particles

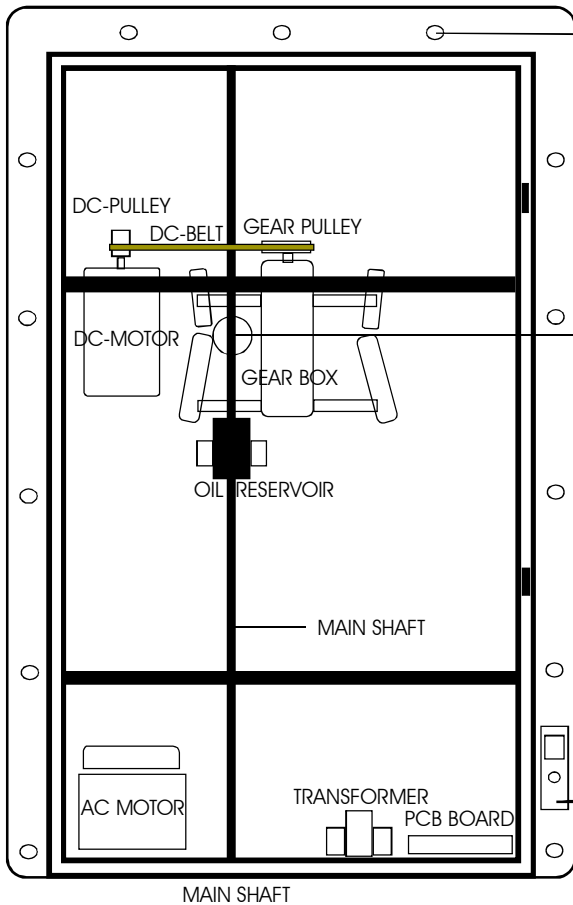
Lubrication

- 1) Turn off the main power
- 1) Open the screws (phillip+) or Open the zippers from the front of the chair
- 2) Apply lubrication onto circled area

Caution

Do not apply lubrication on dc-belt

BACK VIEW



REMOVE SCREWS (PHILLIP)
TO OPEN THE PANEL

UPPER SENSOR

IMPORTANT!!!

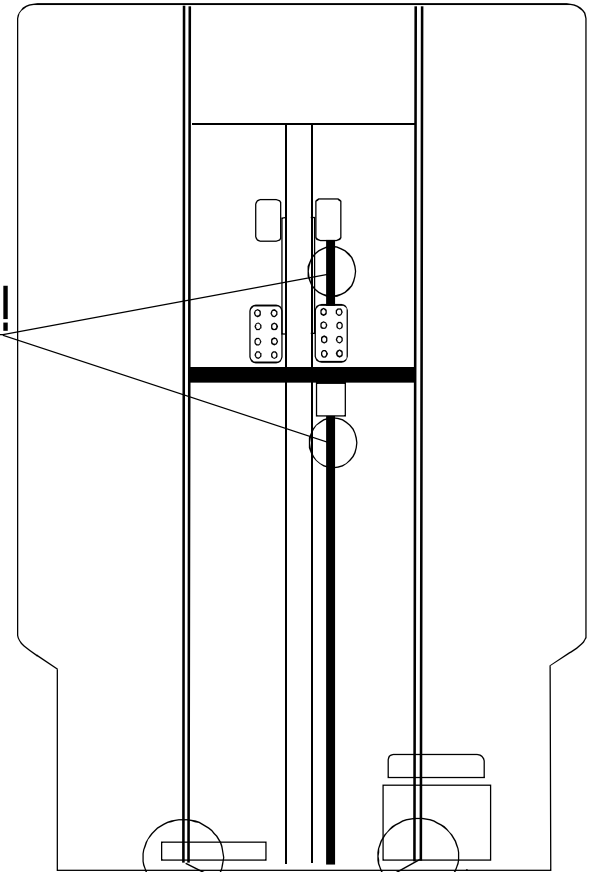
LUBRICATE ON CIRCLED AREA
MACHINERY OIL RECOMMENDED

LOWER SENSOR

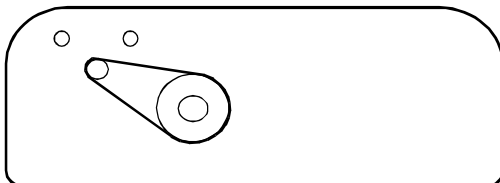
MAIN ON/OPF POWER SWITCH
FUSE

MAIN SHAFT

FRONT VIEW



Zipper



When massage is not functional :

Always check your power source first

- check power cord
- check main on/off power switch
- check fuse/s

If problem persists, contact your local distributor, or manufacturer with your serial number
It is strongly recommended that main shaft be lubricated in a proper way at least once a month
to ensure smooth operation

J&A USA, INC. LIMITED WARRANTY STATEMENT

J&A Product: EPISODE, PETRA, TOEPIA, CLEO, PACIFIC SPA

J&A Accessories: Epi-Stool, Tri-Stool, _____

Duration of limited warranty: 1 year from date of purchase

Coverage on limited warranty: Parts & Labor

EXTENT OF LIMITED WARRANTY

J&A USA warrants that the J&A product and/or accessories specified above will be free from defects in materials and workmanship for the duration specified above. Which duration begins on the date of purchase by the customer (salon, spa). Customer is responsible for maintaining proof of date of purchase and manual booklet in order to initiate the warranty, the customer must send J&A Warranty Card in the manual booklet. Read carefully and return to J&A within 15 days from the date of purchase.

If J&A receives notice of a defective product during the applicable warranty period, J&A shall either repair or replace the defective parts at J&A's option. Replacement product may be either new or equivalent in performance to new. If J&A is unable to repair or replace, as applicable, a defective product covered by the J&A's warranty, J&A shall, within a reasonable time after being notified of the defect, replacement of equivalent purchased price for J&A product, accessories, or supplies. J&A shall have no obligation to repair, replace, or refund until the verification process by J&A is completed. J&A's limited warranty is valid in US where the covered J&A product is distributed by J&A. additional warranty services, may be available from any authorized J&A service facility where the product is distributed by J&A or by an authorized importer.

J&A's limited warranty cover only those defects which arise as a result of normal use of the product, and do not apply to any:

- Improper or inadequate maintenance or modification
- Unauthorized modification or misuse
- Improper site preparation or maintenance

Any applicable warranty shall not apply to J&A that have been improper installation or plumbing, remanufactured, refurbished, misused or tampered with in any way.

LIMITATION OF WARRANTY

TO THE EXTENT ALLOWED BY LOCAL LAW, NEITHER J&A NOR ITS THIRD PARTY SUPPLIERS MAKE ANY OTHER WARRANTY OR CONDITION OF ANY KIND, WHETHER EXPRESS OR IMPLIED, WITH RESPECT TO THE J&A PRODUCTS, AND SPECIFICALLY DISCLAIM THE IMPLIED WARRANTIES OR CONDITIONS OF MERCHANTABILITY, SATISFACTORY QUALITY, AND FITNESS FOR A PARTICULAR PURPOSE. Some states or providences do not allow limitations on the duration of an implied warranty, so the above limitation or exclusion might not apply to you. This warranty gives you specific legal rights that vary from state to state, or providence to providence.

LIMITATION OF LIABILITY

To the extent allowed by the local law, remedies provided in this warranty statement are the customer's sole and exclusive remedies.

TO THE EXTENT ALLOWED BY LOCAL LAW, EXCEPT FOR THE OBLIGATIONS SPECIFICALLY SET FORTH IN THIS WARRANTY STATEMENT, IN NO EVENT WILL J&A OR ITS THIRD PARTY SUPPLIERS BE LIABLE FOR DIRECT, INDIRECT, SPECIAL, INCIDENTAL, OR CONSEQUENTIAL (INCLUDING LOST PROFIT) DAMAGES, WHETHER BASED ON CONTRACT, TORT, OR ANY OTHER LEGAL THEORY AND WHETHER ADVISED OF THE POSSIBILITY OF SUCH DAMAGES.

OBTAINING TECHNICAL SUPPORT

Please, look for help in the following order:

- 1) See Trouble Shooting Guide located in the Manual
- 2) E-mail us; detailed description of your problem, if you have an internet access
- 3) Fax us ; detailed description of you problem, if you have a fax machine
- 4) Contact your local distributor and request an A/S report to be filed on your behalf
- 5) Contact J&A tech support by phone

Please have the following information ready:

- 1) Salon or Spa Name, Address, Telephone Number
- 2) Contact Name
- 3) Model Name, Serial number of the problem unit
- 4) Brief Description of the problem

J&A USA, INC

200 RODEO DRIVE, EDGEWOOD, NY 11717 PHONE: (631)243-3336 FAX: (631)243-3339

WEBSITE: WWW.JAUSAINC.COM

EMAIL: INFO@JAUSAINC.COM

MULTI-COLOR LED SPA LIGHT

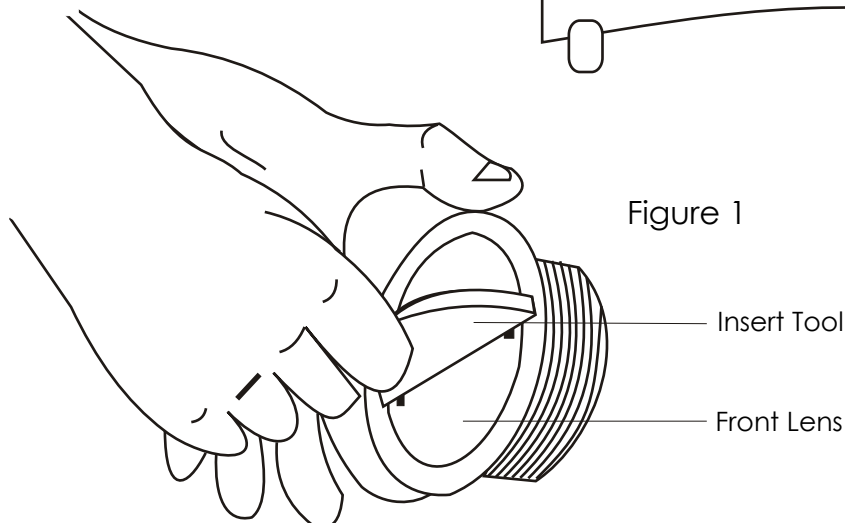
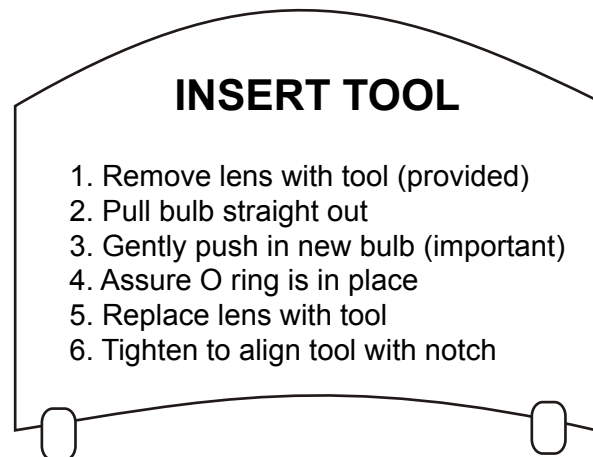
(Instruction for LED Bulb replacement)

WARNING: Risk of electric shock!!!,

- □ **Drain spa and disconnect power before attempting to open lens.**

Multicolor LED spa lights allows the replacement of the lamp from the front. It comes complete with a plastic insert tool for tightening, or un-tightening.

- NOTE: □ To change a bulb after installation,
- □ follow the instruction engraved on the lamp replacement too.
 - □ Insert the two tabs of the insert tool into the two notches on the front lens of the light assembly
 - □ (counter-clockwise to REMOVE; clockwise to INSTALL)
 - □ See figure 1.



Plumbing Accessories

[See General Information for Plumbing Accessories](#)

J & A USA INC
200 RODEO DR
EDGEWOOD, NY 11717 USA

E242637

Whirlpool pedicure spas, Models PS300, PS650LX, Episode, Episode-S Type, Toepia EM, Cleo, Petra.

[Last Updated](#) on 2004-10-19

This page and all contents are Copyright © 2005 by Underwriters Laboratories Inc.®

The appearance of a company's name or product in this database does not in itself assure that products so identified have been manufactured under UL's Follow-Up Service. Only those products bearing the UL Mark should be considered to be Listed and covered under UL's Follow-Up Service. Always look for the Mark on the product.

UL permits the reproduction of the material contained in the Online Certification Directory subject to the following conditions: 1. The Guide Information, Designs and/or Listings (files) must be presented in their entirety and in a non-misleading manner, without any manipulation of the data (or drawings). 2. The statement "Reprinted from the Online Certifications Directory with permission from Underwriters Laboratories Inc." must appear adjacent to the extracted material. In addition, the reprinted material must include a copyright notice in the following format: "Copyright © 2005 Underwriters Laboratories Inc.®"

An independent organization working for a safer world with integrity, precision and knowledge.



Free Manuals Download Website

<http://myh66.com>

<http://usermanuals.us>

<http://www.somanuals.com>

<http://www.4manuals.cc>

<http://www.manual-lib.com>

<http://www.404manual.com>

<http://www.luxmanual.com>

<http://aubethermostatmanual.com>

Golf course search by state

<http://golfingnear.com>

Email search by domain

<http://emailbydomain.com>

Auto manuals search

<http://auto.somanuals.com>

TV manuals search

<http://tv.somanuals.com>