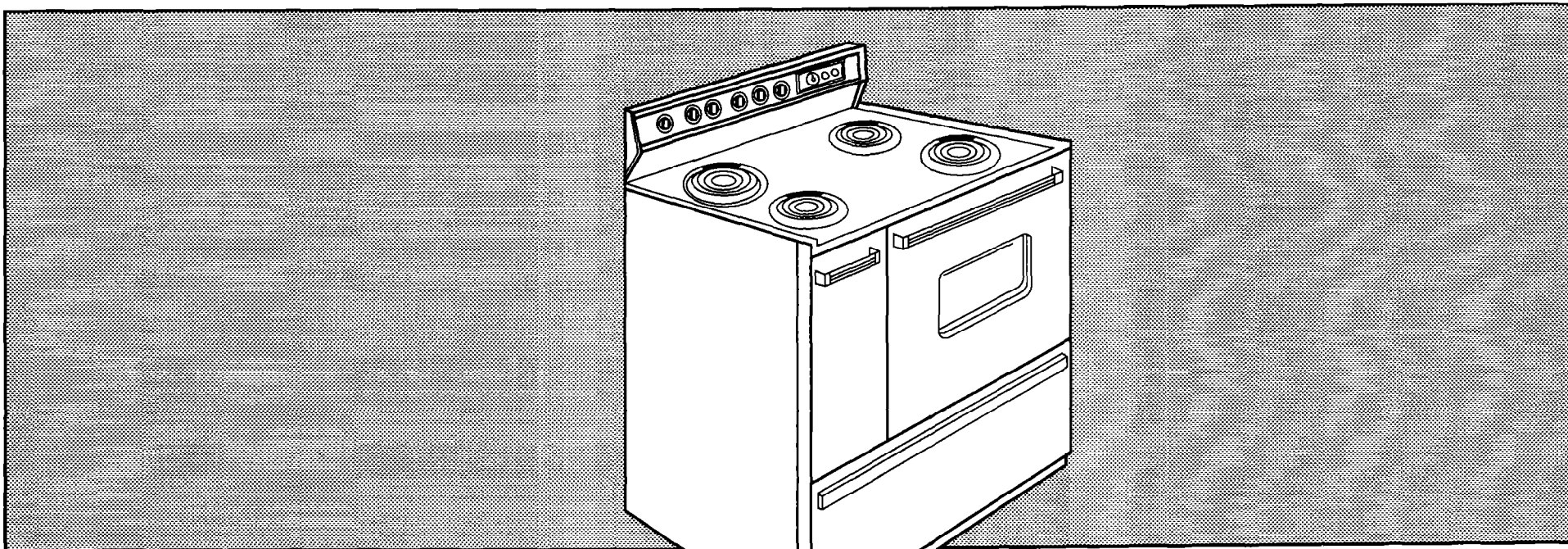


# Installation Instructions



Part No. 220038-1010 Rev. 1/4372281 Rev. A

**IMPORTANT:**  
Read and save  
these instructions.

**IMPORTANT**

**Installer:** Leave Installation Instructions with the appliance.

**Homeowner:** Keep Installation Instructions for future reference.

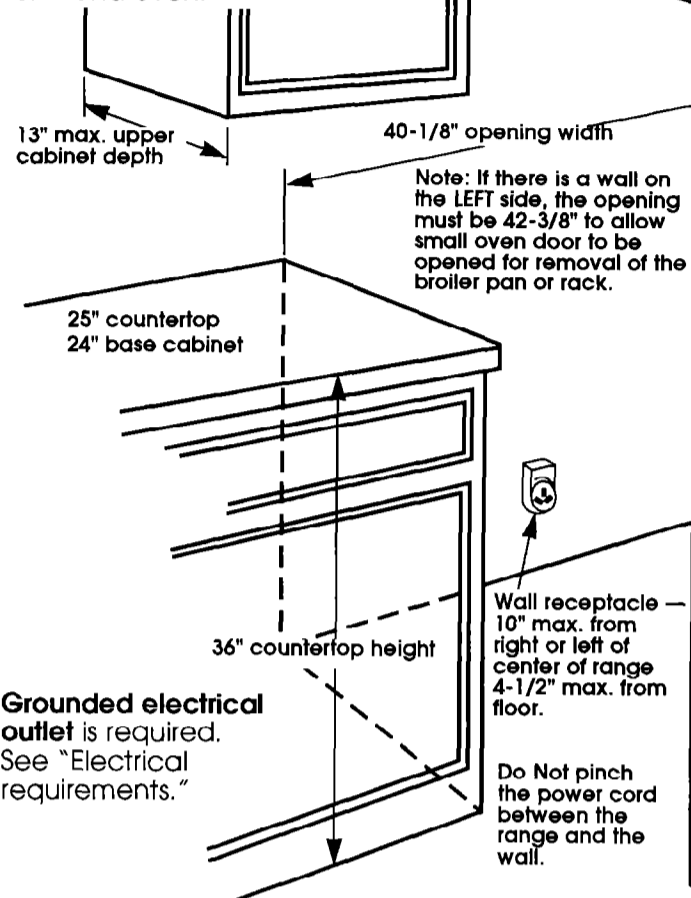
**Save** Installation Instructions for local electrical inspector's use.

## 40" Electric Freestanding Range



## Before you start...

Proper installation is the installer's responsibility. A qualified technician should install this range. Make sure you have everything necessary for correct installation. It is the responsibility of the installer to comply with the installation clearance specified on the serial/rating plate. The serial/rating plate can be found on the oven frame, behind the small, left-hand oven.



Grounded electrical outlet is required. See "Electrical requirements."

**Important:**  
Observe all governing codes and ordinances.

Check location where range will be installed. The range should be located for convenient use in kitchen.

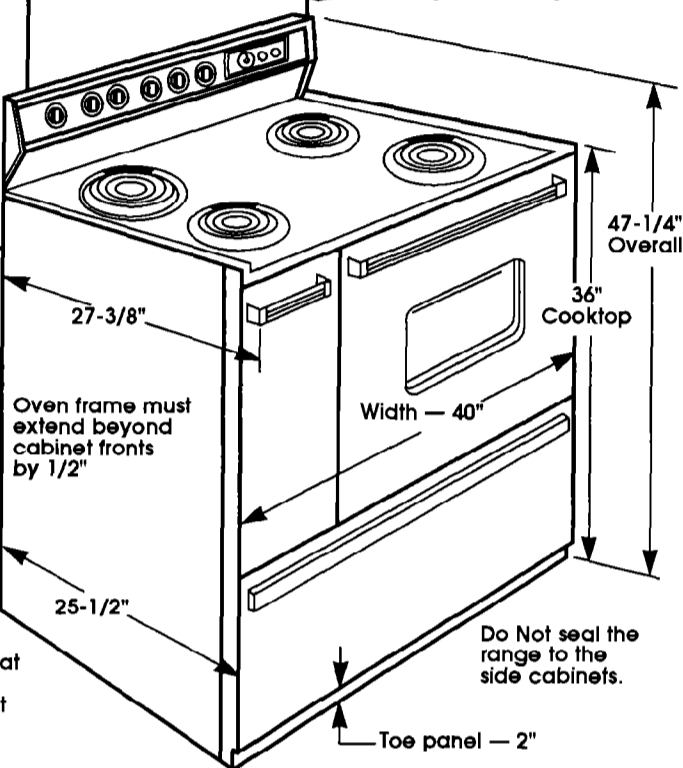
ALL OPENINGS IN THE WALL OR FLOOR WHERE RANGE IS TO BE INSTALLED MUST BE SEALED.

For minimum clearance, see Note.\*\*

\*\* Note: 24" min. when bottom of wood or metal cabinet is protected by not less than 1/4" flame retardant millboard covered with not less than No. 28 MSG sheet steel, 0.015" stainless steel, 0.024" aluminum or 0.020" copper.

30" min. clearance between the top of the cooking platform and the bottom of an unprotected wood or metal cabinet.

Save four shipping bolts from range packaging to use as leveling legs for range.



5" min. clearance from a vertical wall at left side of range is required to open left hand oven door.

Do Not seal the range to the side cabinets.

Toe panel - 2"

## Mobile home installation

The installation of this range must conform to the Manufactured Home Construction and Safety Standards, Title 24 CFR, part 3280 (formerly the Federal Standard for Mobile Home Construction and Safety, Title 24, HUD, Part 280); or when such standard is not applicable, the Standard for Manufactured Homes Installations (Manufactured Home Sites, Communities and Setups), ANSI A225.1/NFPA 501A, or with local codes\*.

Note: When this range is installed in a recreational vehicle (RV), it must be secured to the floor. The range installed in a mobile home must be secured to the floor during transit.

Four-wire power supply cord must be used in a mobile home installation. The appliance wiring will need to be revised. See "Electrical requirements."

## WARNING

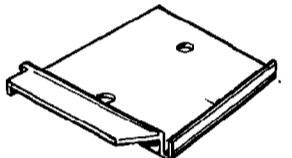
### Electrical Shock Hazard

It is the customer's responsibility:

- To contact a qualified electrical installer.
- To assure that electrical installation is adequate and in conformance with National Electrical Code, ANSI/NFPA 70 - latest edition\*, and all local codes and ordinances.

Failure to do so could result in fire, electrical shock or other personal injury.

Two anti-tip brackets MUST be installed. For detailed instructions, see Panel B and Panel C.



## WARNING

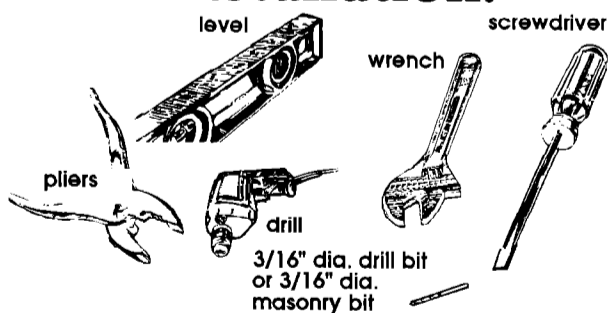
### Personal Injury Hazard

To eliminate the risk of burns or fire, avoid installing cabinet storage above the cooking surface. If cabinets are already installed, reduce the hazard of reaching over a heated cooking surface by installing a range hood.

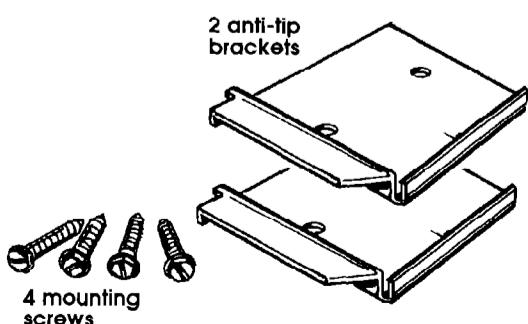
The range hood should extend a minimum of 5 inches out from the bottom of the cabinets.

Reaching over a heated cooking surface could result in a serious burn.

## Tools needed for installation:



## Parts provided for installation:



Panel A

## Electrical requirements

Save Installation Instructions for the local electrical inspector's use.

Power supply cord is not supplied but is available through your local electrical supply houses.

## WARNING

### Electrical Shock Hazard

- Electrical ground is required on this appliance.
- Do Not ground to a gas supply pipe.
- Check with a qualified electrician if you are in doubt as to whether the appliance is properly grounded.
- Only a power supply cord kit rated at 250 volts, 40 amperes and investigated for use with ranges should be used.
- Do Not use an extension cord with this appliance. Such use may result in a fire, electrical shock or other personal injury.
- Do Not have a fuse in the neutral or grounding circuit. A fuse in the neutral or grounding circuit could result in electrical shock.
- Do Not plug the "pigtail" power cord into a live wall receptacle before the cord is permanently connected to the terminal block. To do so may result in personal injury from electrical shock.

Failure to follow these instructions could result in serious injury or death.

If codes permit and a separate grounding wire is used, it is recommended that a qualified electrician determine that the grounding path is adequate.

**A.** A three-wire or four-wire single phase 120/240-volt, 60-Hz, AC only electrical supply (or three-wire or four-wire 120/208-volt if specified on serial plate) is required on a separate 40 ampere circuit, fused on both sides of the line. Do Not fuse the neutral. A time-delay or circuit breaker is recommended.

**B.** All wires ending at the appliance must terminate in ring-type terminals.

**C.** Local codes may permit the use of flexible type 40-ampere U.L.-listed power supply cord (pigtail) with no smaller than No. 8 copper wire to match three-wire receptacle of NEMA-type 10-50R as shown in Figure 1. A U.L.-listed strain relief must be provided at the point the power supply cord enters the appliance.

**D.** The range may be connected directly to the fused disconnect (or circuit breaker) box through flexible armored or non-metallic, sheathed copper cable. Allow at least 3 feet minimum of slack in the line between the wall and the appliance so that it can be moved if servicing is ever necessary. A suitable strain relief must be provided at each end of the copper power supply cord (at the appliance and at the junction box). Wire sizes (COPPER WIRE ONLY) and connections must conform with the rating of the appliance (40 amperes).

**E.** The range must be connected with copper wire only.

Copies of the standards listed may be obtained from:

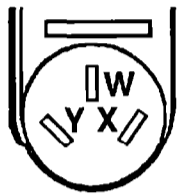
\* National Fire Protection Association  
Batterymarch Park  
Quincy, Massachusetts 02269

**F.** FOR MOBILE HOME USE, A 4-WIRE POWER CORD MUST BE USED. This appliance is manufactured with ground connected to cabinet. The ground must be revised so the green grounding wire of the 4-wire power cord is connected to the cabinet. See 4-wire electrical connection section, Panel C.

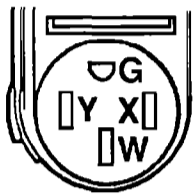
If using a 4-wire NEMA type 14-50R receptacle, a matching 4-wire U.L.-listed "pigtail" power cord must be used. Cord should be type SRD or SRDT, at least 4 feet long and have all conductors ending in ring terminals at the range. See Figure 2. The **MINIMUM** conductor sizes for the copper 4-wire power cord are:

- 40 ampere circuit
- 2, No. 8 conductors
- 1, No. 10 white neutral
- 1, No. 8 green grounding

**G.** A wiring diagram is included in literature package. The wiring diagram is also located on the back of the range.



3-wire wall receptacle (10-50R)  
Figure 1



4-wire wall receptacle (14-50R)  
Figure 2

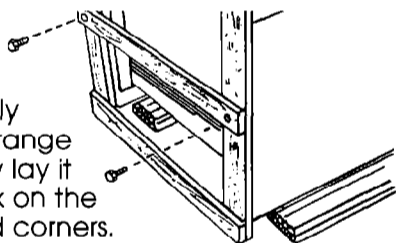
## Now start...

With range in kitchen.

**1.** Remove racks and other parts from inside oven. Remove tape from oven light switch.

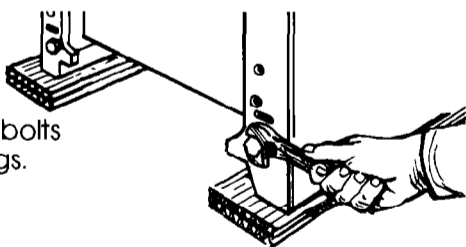


**2.** Take 4 cardboard corners from the carton. Stack one cardboard corner on top of another. Repeat with other two corners. Place corners lengthwise on the floor in back of range to support range off of skid.



**3.** Firmly grasp the range and gently lay it on its back on the cardboard corners.

**4.** Remove and save four shipping bolts from the skid. Discard skid.



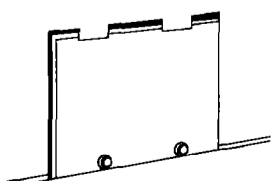
**5.** Install four shipping bolts as leveling legs.

**6.** Place cardboard in front of range. Carefully stand range upright on cardboard.

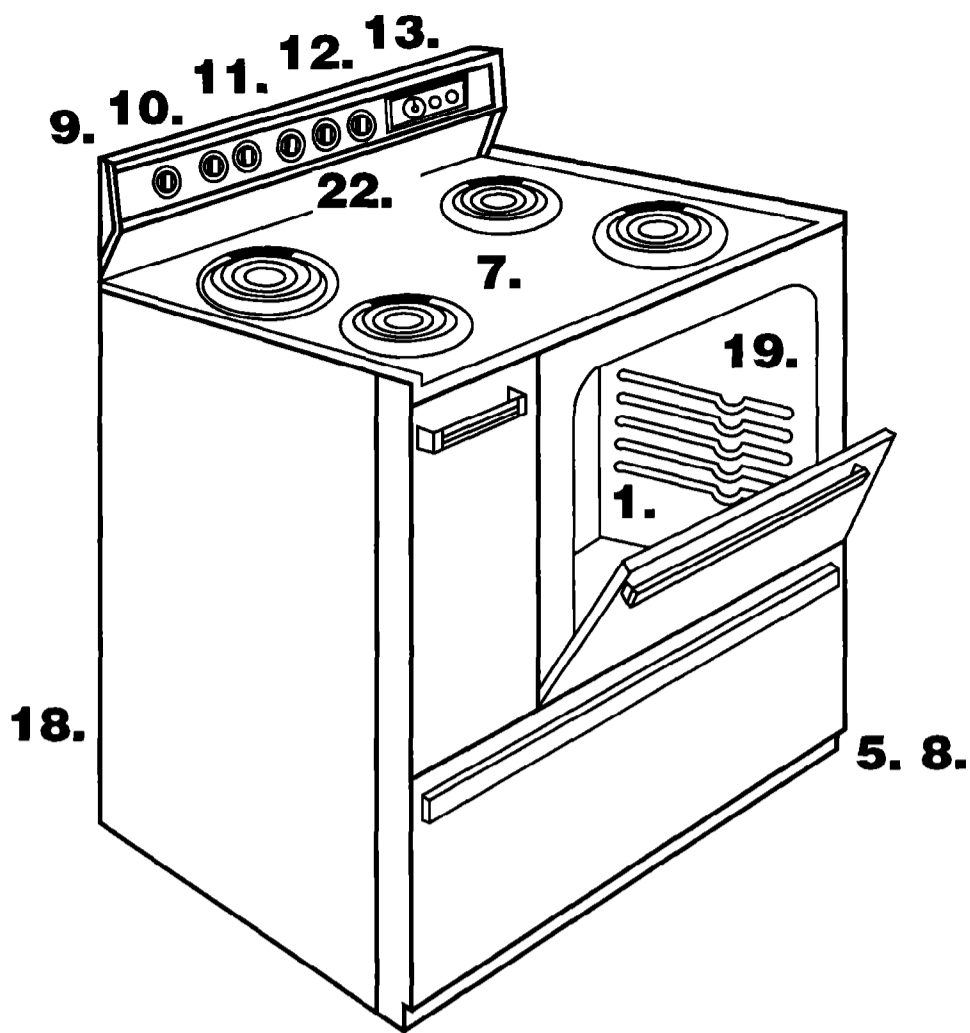
**7.** Remove the shipping materials including clips that hold elements in place, tape and protective film from range.

**8.** Adjust the leveling legs to a point where the range base does not touch the floor.

**9.** Remove terminal block cover located on back of range. Remove the grounding strap. Retain the grounding screw.

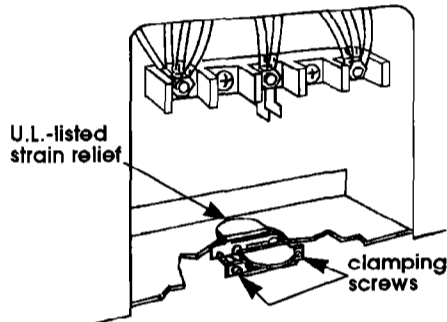


## Panel B

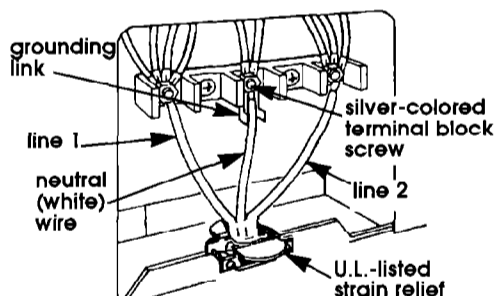


### 3-wire electrical connection

See Panel C for 4-wire electrical connection.



**10.** Use a U.L.-listed strain relief and insert it into the hole below the terminal block. Insert the power supply cord (pigtail) through the strain relief allowing enough slack to easily attach to the terminal block. Tighten the locking ring.



Use only ring-type terminals to connect the power supply. To secure the power supply cord, use the 3/8" brass nuts taped to cabinet below the terminal block.

Use this wiring method **ONLY** if local codes permit connecting cabinet-grounding conductor to neutral wire of power cord.

This appliance is manufactured with the neutral terminal connected to the cabinet. If local codes and ordinances **Do Not permit grounding through the neutral**, a four-wire power supply cord, rated 250 volts, 40 amperes and investigated for use with ranges must be used. See 4-wire electrical connection, Panel C.

**11.** Connect grounding wire (green) of copper power supply cord to range with grounding screw using hole in cabinet where grounding strap was removed in Step 9.

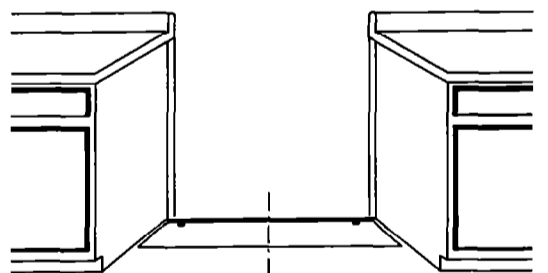
**12.** Connect the neutral (white) wire to the silver-colored terminal screw on the terminal block. Connect the other two wires to the outer terminal screws on the terminal block. Use ring-type terminals only. Check that nuts are tight to insure proper electrical connection.

**13.** Tighten the strain relief screws. Replace terminal block cover.

## WARNING



To reduce the risk of tipping of the appliance, the appliance must be secured by properly installed anti-tip brackets supplied with the range. Save these installation instructions. If range is moved to a new location, the anti-tip brackets must be removed and reinstalled in the new location.



Follow instructions for the type of installation you have.

**14.**

- If range will be installed with a cabinet on both sides, mark center of cabinet opening on floor. If back of range will not be flush with the wall (the location of the outlet may not allow the range to be positioned against the wall), mark on the floor where the back edge of the range will be. Place template on the floor aligning the template centerline with the centerline marked in the cabinet opening. Place the back edge of the template against the rear wall or the line marked for the rear of the range. Go to Step 15.
- If range will be installed with a cabinet on one side only, move range into final position. Mark on the floor along the side of the range that is not against the cabinet. If back of range will not be flush with the wall (the location of the outlet may not allow the range to be

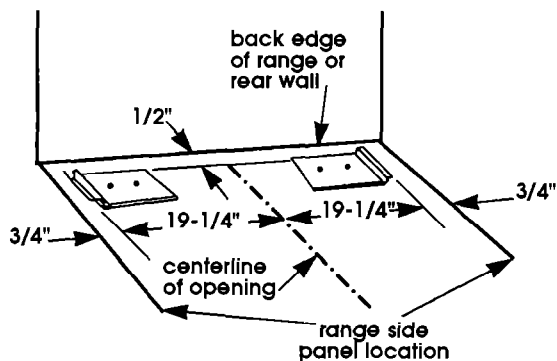
positioned against the wall), mark on the floor where the back edge of the range will be. Place template on the floor and align side of template with the line marked on the floor. Align the back of the template with the rear wall or the line marked for the rear of the range.

Go to Step 15.

- If range will NOT be installed against a cabinet, move range into final position. Mark on the floor along both sides of the range. If back of range will not be flush with the wall (the location of the outlet may not allow the range to be positioned against the wall), mark on the floor where the back edge of the range will be.

Place template on the floor and align sides of template with the lines marked on the floor. Align the back of template with the rear wall or the line marked for the rear of the range.

Go to step 15.



If template is not available...

- and there will be cabinets on both sides of range, mark on the floor lines that are 1/2" from rear wall, 3/4" from each side of the cabinet walls and 19-1/4" from each side of the centerline of the cabinet opening.

Place anti-tip brackets on floor with small flanges to front. Align brackets with lines. Mark location of four mounting holes for anti-tip brackets.

Go to Step 15.

- and there will be a cabinet on one side only, move range into final position. Mark on the floor along the side of the range that is not against the cabinet. Determine the center point between the cabinet and the line drawn along the side of range. Mark lines 19-1/4" from each side of the center point. Mark on the floor a line 1/2" from rear wall.

Place anti-tip brackets on floor with small flanges to front. Align brackets with lines. Mark location of four mounting holes for anti-tip brackets.

Go to Step 15.

- and there will be no cabinets against range, move range into final position. Mark on the floor along both sides of the range. Determine the center point between the lines drawn for the point. Mark on the floor a line 1/2" from rear wall.

Place anti-tip brackets on floor with small flanges to front. Align brackets with lines. Mark location of four mounting holes for anti-tip brackets.

Go to step 15.

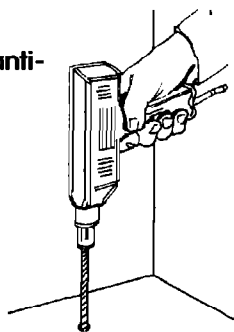
## CAUTION

### Floor Damage

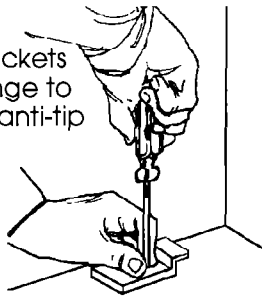
Contact a qualified carpet installer for the best procedure to drill mounting holes through your type carpet. Failure to do so could cause damage to floor covering.

- 15.** To mount anti-tip brackets to wood floor, drill a 3/16" hole, 1/2" deep at each mounting hole location.

To mount anti-tip brackets to concrete or ceramic floor, use a masonry drill bit to drill a 3/16" hole at each mounting hole location. Tap plastic anchors into mounting holes in floor with hammer.



- 16.** Place brackets on floor with small flange to front. Line up holes in anti-tip brackets with holes in floor. Use screws provided to fasten anti-tip brackets to floor.

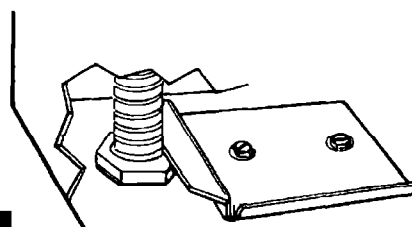


## CAUTION

### Floor Damage

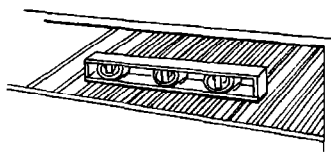
Keep cardboard under range when moving range. Failure to do so could cause damage to floor covering.

- 17.** Move range close to final position. Remove cardboard from under range. Plug power supply cord into grounded outlet.



## 18.

Carefully move range to final position. Remove storage drawer. Check that rear leveling legs are engaged in the anti-tip brackets. If a leveling leg is not properly engaged, remove and reposition the bracket to insure that the leveling leg fits properly in the bracket.



## 19.

Place rack in oven. Place level on rack, first side to side; then front to back. If the range is not level, pull the range forward until rear leveling legs are removed from the brackets. Adjust the legs up or down until range is level.

Push range back into position. Check that the rear leveling legs are engaged in the brackets. Replace storage drawer.

- 20.** Push in and turn each surface unit control knob to "HI" position. Check the operation of the cooktop elements and indicator lights.

- 21.** Check the operation of the right (large) oven.

### Bake element:

- Set the right oven selector control knob to "BAKE."
- Set the right oven temperature control knob to 350°F. The bottom element should glow red and the right oven indicator light should be on. The top element should become hot but not glow red. The right oven indicator light goes off when oven is preheated.

### Broil element:

- Set the right oven selector and oven temperature control knobs to "BROIL." The top element should glow red and the right oven indicator light should be on.

- 22.** Check the operation of the left (small) oven.

### Bake element:

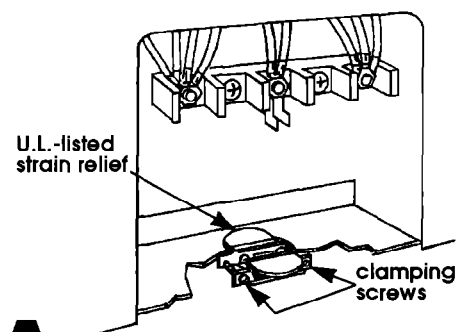
- Set the left oven temperature control knob to 350°F. The bottom element should glow red and the left oven indicator light should be on. The top element should become hot but not glow red. The left oven indicator light goes off when oven is preheated.

### Broil element:

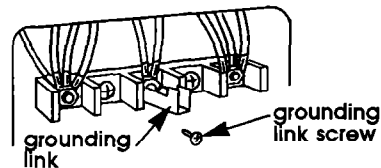
- Set the left oven temperature control knob to "BROIL." The top element should glow red and the left oven indicator light should be on.

## 4-wire electrical connection

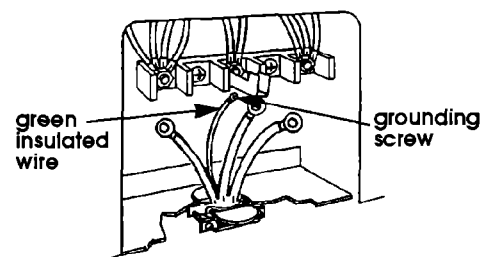
Use this wiring method for mobile homes and whenever 4-wire installation is required.



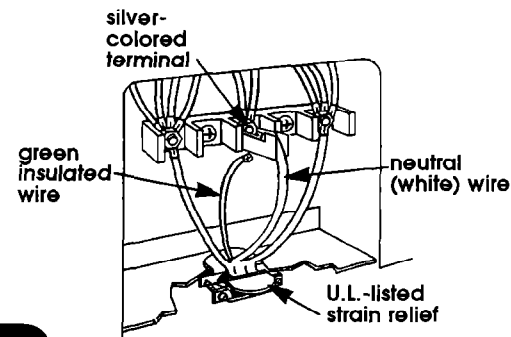
- A.** Use a U.L.-listed strain relief and insert it into the hole below the terminal block. Insert the power supply cord through the strain relief allowing enough slack to easily attach to the terminal block. Tighten the locking ring.



- B.** Remove the grounding link screw from the range frame. Save the grounding screw. Bend up the grounding link so that it does not contact the range.



- C.** Connect the green grounding wire on the range using the grounding screw removed in Step B. The green grounding wire **must** be attached first and **must not** contact any other terminal.



- D.** Connect the neutral (white) wire to the center, silver-colored terminal screw on the terminal block. Connect the other two wires to the outer terminals on the terminal block. Use ring-type terminals only.

Be sure that factory-installed nuts are tight.

- E.** Tighten the strain relief screws. Replace the terminal block cover.

- F.** Continue installation at Step 14, Panel B.

You have just finished installing your new Whirlpool range. To get the most efficient use from your new range, read your Whirlpool Use & Care **Congratulations!**

Guide. Keep Installation Instructions and Guide close to range for easy reference. The instructions will make reinstalling your Whirlpool range in another home as easy as the first installation.

## If the range does not operate...

Check that the circuit breaker is not tripped or the fuse blown. Check that power supply cord is plugged into wall receptacle.

**NOTE:**  
Refer to Use and Care Guide for operating instructions and cleaning instructions.

## For cleaning and maintenance...

If removing the range is necessary for cleaning and maintenance, disconnect electrical supply.

If electrical supply is inaccessible, lift the range slightly at the front and pull the range away from the wall. Pull the range out only as far as necessary to disconnect the electric supply line.

Remove the range to complete cleaning or maintenance.

Move range back into operating position. Level the range. Reconnect the electrical supply. Make sure that rear leveling legs are engaged in the anti-tip bracket.

### **WARNING**

**Personal Injury/Product  
Damage Hazard**

**Do Not step, lean or sit on the range  
drawer or door.**

**Failure to follow these instructions could  
result in personal injury and/or product  
damage.**

## If you need assistance...

The Whirlpool Consumer Assistance Center will answer any questions about operating or maintaining your range not covered in the Installation Instructions. The Whirlpool Consumer Assistance Center is open 24 hours a day, 7 days a week. Just dial 1- (800) 253-1301 — the call is free.

When you call, you will need the range model number and serial number. Both numbers can be found on the serial/rating plate located on the oven frame behind the small, left-hand door.

## If you need service...

In the event that your Whirlpool appliance should ever need service, call the dealer from whom you purchased the appliance or a Whirlpool-authorized service company. A Whirlpool-authorized service company is listed in the Yellow Pages of your telephone directory under "Appliances — Household — Major — Service or Repair." You can also obtain the service company's name and number by dialing, free, within the continental United States, the Whirlpool Consumer Assistance Center telephone number, 1- (800) 253-1301. A special operator will tell you the name and number of your nearest Whirlpool-authorized service company. Maintain the quality built into your Whirlpool appliance — call a Whirlpool-authorized service company.



## Free Manuals Download Website

<http://myh66.com>

<http://usermanuals.us>

<http://www.somanuals.com>

<http://www.4manuals.cc>

<http://www.manual-lib.com>

<http://www.404manual.com>

<http://www.luxmanual.com>

<http://aubethermostatmanual.com>

Golf course search by state

<http://golfingnear.com>

Email search by domain

<http://emailbydomain.com>

Auto manuals search

<http://auto.somanuals.com>

TV manuals search

<http://tv.somanuals.com>