

Repair Parts List

MODEL NUMBER

3868XPW

RANGE

When requesting service or ordering parts, always provide the following information:

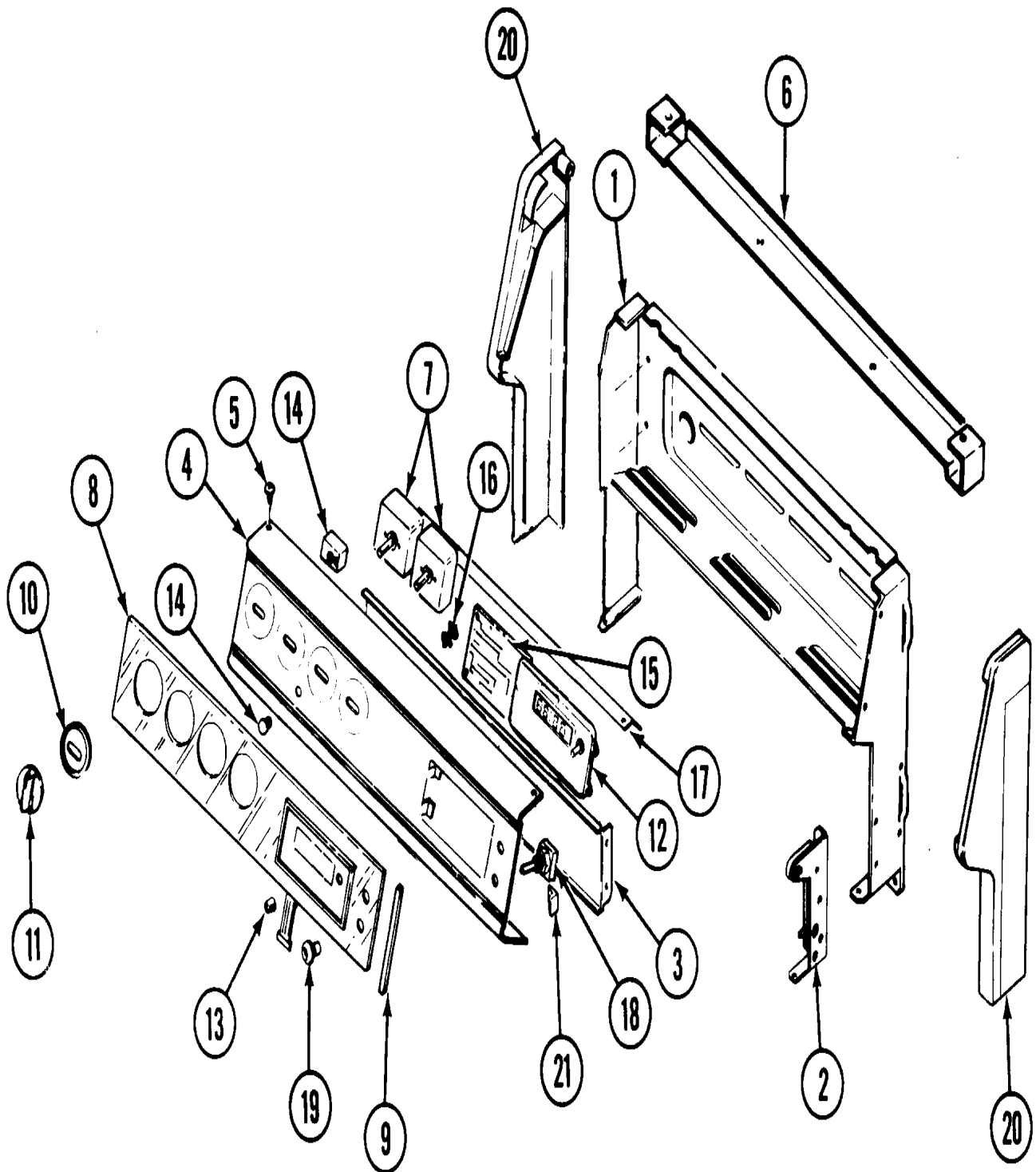
- Product Type
- Part Number
- Model Number
- Part Description

MAYTAG®

©2005 Maytag Services

Section: CONTROL PANEL

Model: 3868XPW



C10-155

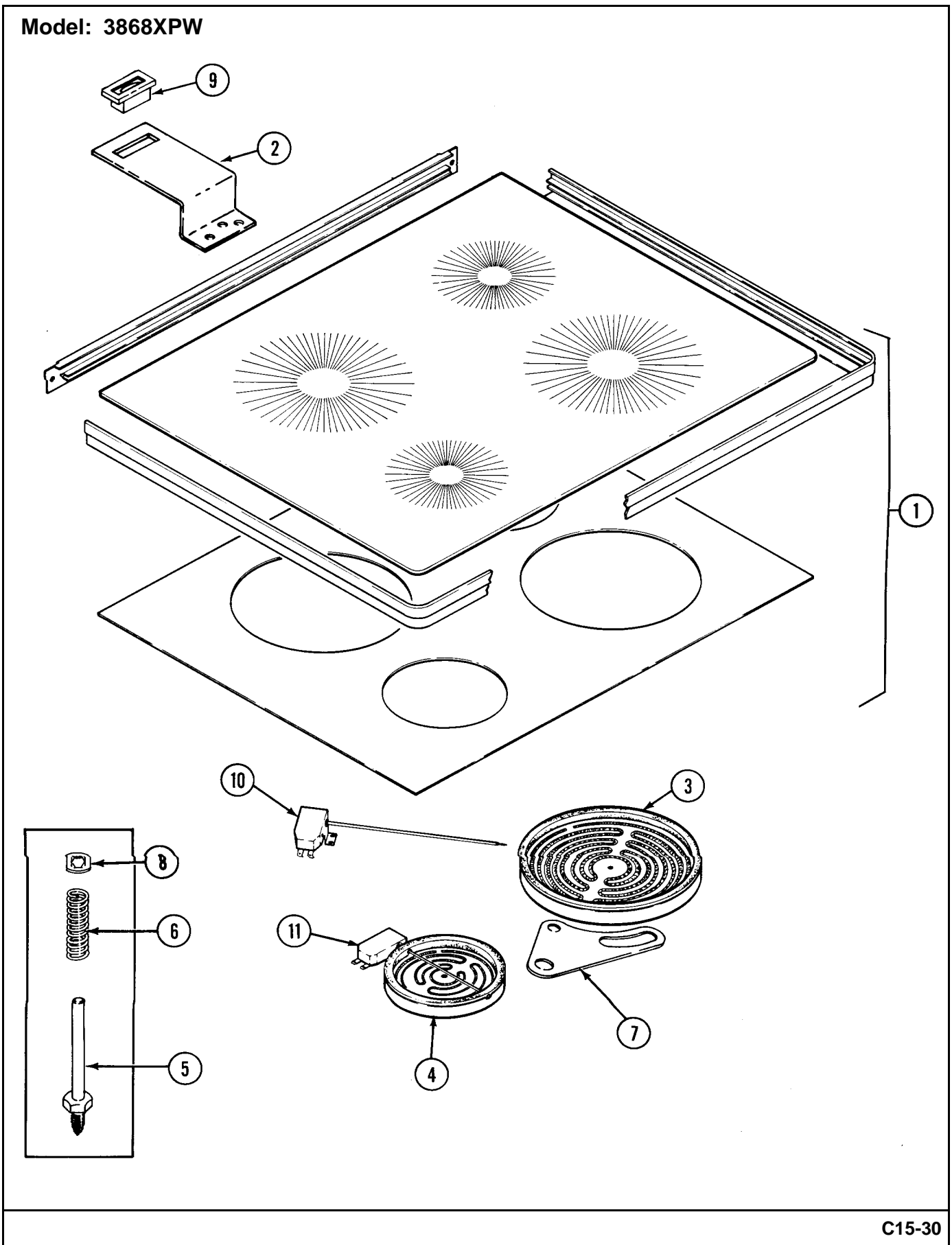
Section: CONTROL PANEL

No.	Part No.	Description	Series	Qty
1	4001F089-51	HOUSING, BACKGUARD Note: HOUSING	01	1
-	N 2612W039-09	BACKSPLASH Note: BACKSPLASH (XP MODELS)	01	1
2	N 3807F424-51	SUPPORT, HOUSING (LT) Note: (LF)	01	1
-	N 7118P015-60	SCREW, HOUSING Note: SCREW	01	19
2	N 3807F423-51	SUPPORT, HOUSING (RT) Note: SUPPORT, HINGE (RT)	01	1
3	N 3802F087-51	BRACE, LWR BKGD Note: BRACE, CONTROL PANEL	01	1
-	N 7703P502-60	PANEL, BACKGUARD Note: PANEL, BACKGUARD (WOODGRAIN)	01	1
4	N 7703P272-60	PANEL BACKGUARD Note: PANEL, BACKGUARD	01	1
4	N 7703P501-60	PANEL, CTRL Note: PANEL, BACKGUARD	10	1
5	7118P019-60	SCREW Note: SCREW, PANEL	01	4
6	4001F064-51	EXTENSION, CONTROL PANEL Note: EXTENSION	01	1
7	7403P239-60	SWITCH, INFINITE (LRG ELEMENT) Note: (8")	01	2
7	7403P238-60	SWITCH, INFINITE (SML ELEMENT) Note: SWITCH, INFINITE (6")	01	1
8	4876S024-59	CONTROL PANEL ASSY Note: GLASS PANEL ASSY.	10	1
8	4876S023-59	CONTROL PANEL ASSY Note: GLASS PANEL ASSY.	01	1
9	N 7720P156-60	TRIM, RETAINER Note: RETAINER	01	2
10	7740P018-60	BEZEL, KNOB Note: BEZEL, KNOB	01	4
11	7731P082-60	KNOB, THERM/BURNER (BLK) Note: KNOB, INFINITE	01	4
-	N 7601P192-60	CLOCK Note: CLOCK (G PREFIX ONLY)	01	1
12	N 7601P171-60	CLOCK Note: CLOCK	01	1
12	7601P209-60	CLOCK Note: CLOCK (INCL. RELAY)	10	1
-	7101P148-60	SCREW, SWITCH Note: SCREW, CLOCK	01	4
13	7711P431-60	KNOB, CLOCK (BLK) Note: KNOB, CLOCK	01	1
-	7730P012-60	LENS, INDICATOR LIGHT	10	1
14	7407P090-60	LAMP SIGNAL Note: LIGHT, INDICATOR	01	1
15	7428P013-60	RELAY BOARD Note: BOARD, RELAY	01-0	1
16	8004P020-60	SUPPORT, RELAY BOARD Note: SUPPORT, RELAY	01-0	4
17	N 3604F201-80	SHIELD, SIGHT Note: SHIELD	01	1
18	7403P109-60	SWITCH, PUSH (BLK) Note: SWITCH, OVEN LIGHT	01	2
19	7214P007-60	SLEEVE, SWITCH (BLK) Note: SLEEVE, SWITCH	01	2
20	N 7726P035-60	TRIM, END CAP (LT) Note: CAP, END (LT)	01	1
-	7103P129-60	NUT, SPEED Note: NUT	01	2
20	N 7726P036-60	TRIM, END CAP (RT) Note: (RT)	01	1
21	8010P083-60	SPACER Note: SPACER	01	2
-	N 5170P162-60	HARNESS, SENSOR & LOCK	10	1
-	N 5170P124-60	HARNESS CTRL TO RELAY	10	1
-	N 5170D165-60	HARNESS Note: HARNESS, BKGD.	01	1
-	N 16000329	GUIDE, QUICK REF. - MAGIC CHEF Note: GUIDE, QUICK REFERENCE	01	1
-	8113P026-60	INSERT, INSTR SHEET (CLOCK) Note: INSERT, USE & CARE (CLOCK)	01	1
-	8113P008-60	MANUAL, USE & CARE Note: MANUAL CARE & USE	01	1

*Color Code (-)=Not Shown #=Series, Serial Prefix or Run No., N=Not Available

Section: TOP ASSEMBLY (3868XP)

Model: 3868XPW



C15-30

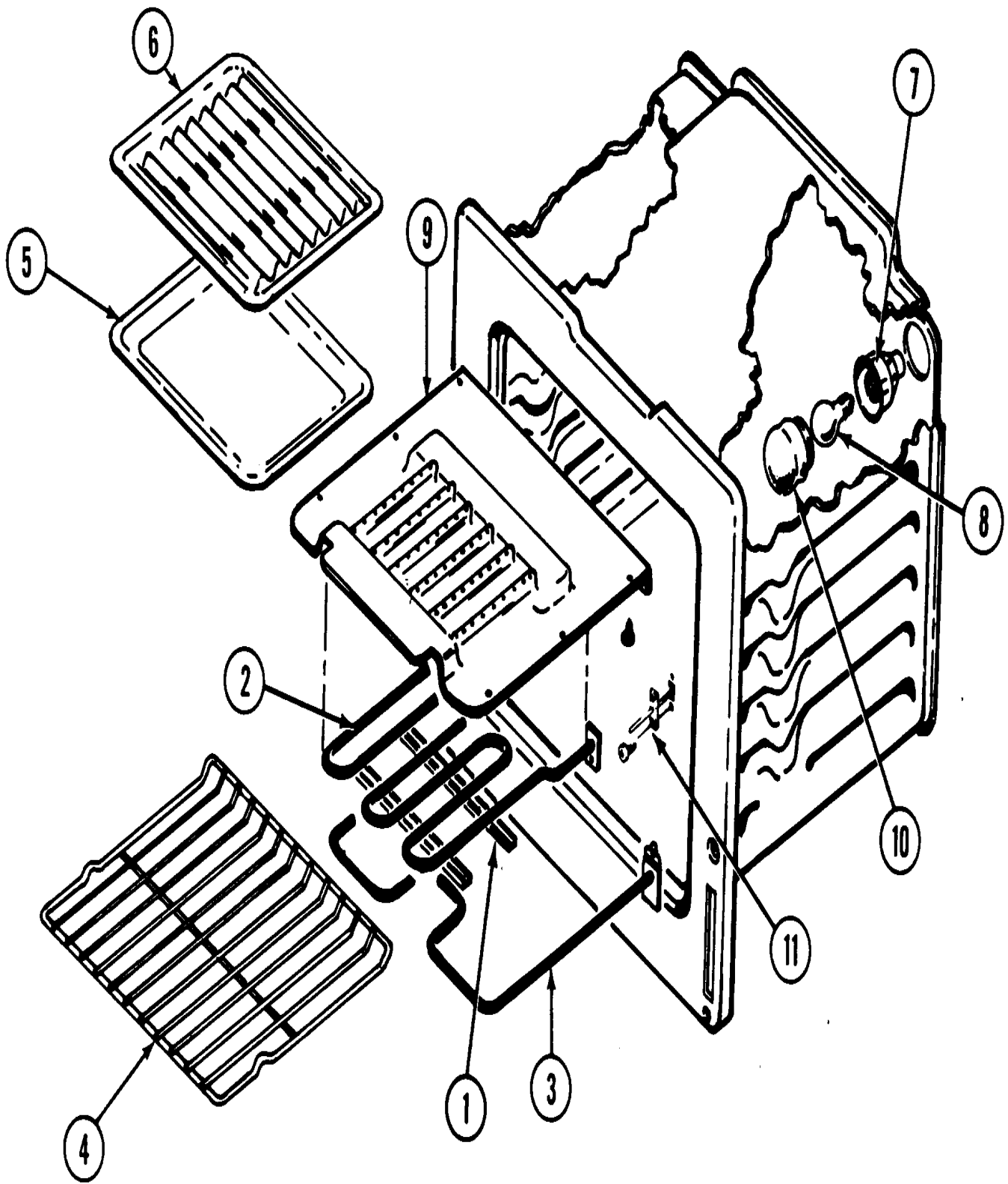
Section: TOP ASSEMBLY (3868XP)

No.	Part No.	Description	Series	Qty
1	5706A011-60	MAIN TOP, GLASS Note: TOP ASSY., GLASS	01	1
2	7101P290-60	SCREW Note: SCREW, BRACKET	01	4
-	3801F305-80	BRACKET, MAIN TOP Note: BRACKET, MAIN TOP	01	1
2	N 3801F271-45	BRACKET SIGNAL LAMPS Note: BRACKET, LIGHT	01	1
3	7406P073-60	ELEMENT W/RECEPTACLE (8") Note: ELEMENT (8")	01	2
-	12500040	LIMITER KIT (8")	01	1
4	7406P074-60	ELEMENT W/RECEPTACLE (6") Note: ELEMENT (6")	01	2
-	12500041	LIMITER KIT (6")	01	1
5	7113P013-60	PIN, ELEMENT Note: PIN, ELEMENT SUPPORT	01	12
6	N 7803P066-60	SPRING, ELEMENT SUPPORT Note: SPRING, PIN	01	12
7	N 3819F013-45	CLIP, ELEMENT Note: BRACKET, ELEMENT SUPPORT	01	12
-	7101P076-60	SCREW Note: SCREW, BRACKET	01	12
8	7112P091-60	CLIP, RETAINER Note: CLIP, PIN	01	12
9	N 7407P089-60	LIGHT, INDICATOR Note: LIGHT, INDICATOR	01	1
10	04000063	LIMITER (8" ELEMENT) Note: LIMITER (8")	01	2
-	8308P002-60	CLEANER, ELCO Note: CLEANER, ELCO	01	1
-	8312P001-60	SCRAPER, RAZOR Note: SCRAPER, RAZOR	01	1
-	5175D052-60	HARNESS, BURNER BOX Note: HARNESS, BURNER BOX	01	1
11	04000064	LIMITER (6" ELEMENT) Note: LIMITER (6")	01	2
-	8112P105-60	MANUAL, USE & CARE-INSERT Note: INSERT, USE & CARE(SMOOTH TOP)	01	1

*Color Code (-)=Not Shown #=Series, Serial Prefix or Run No., N=Not Available

Section: OVEN

Model: 3868XPW



C12-3

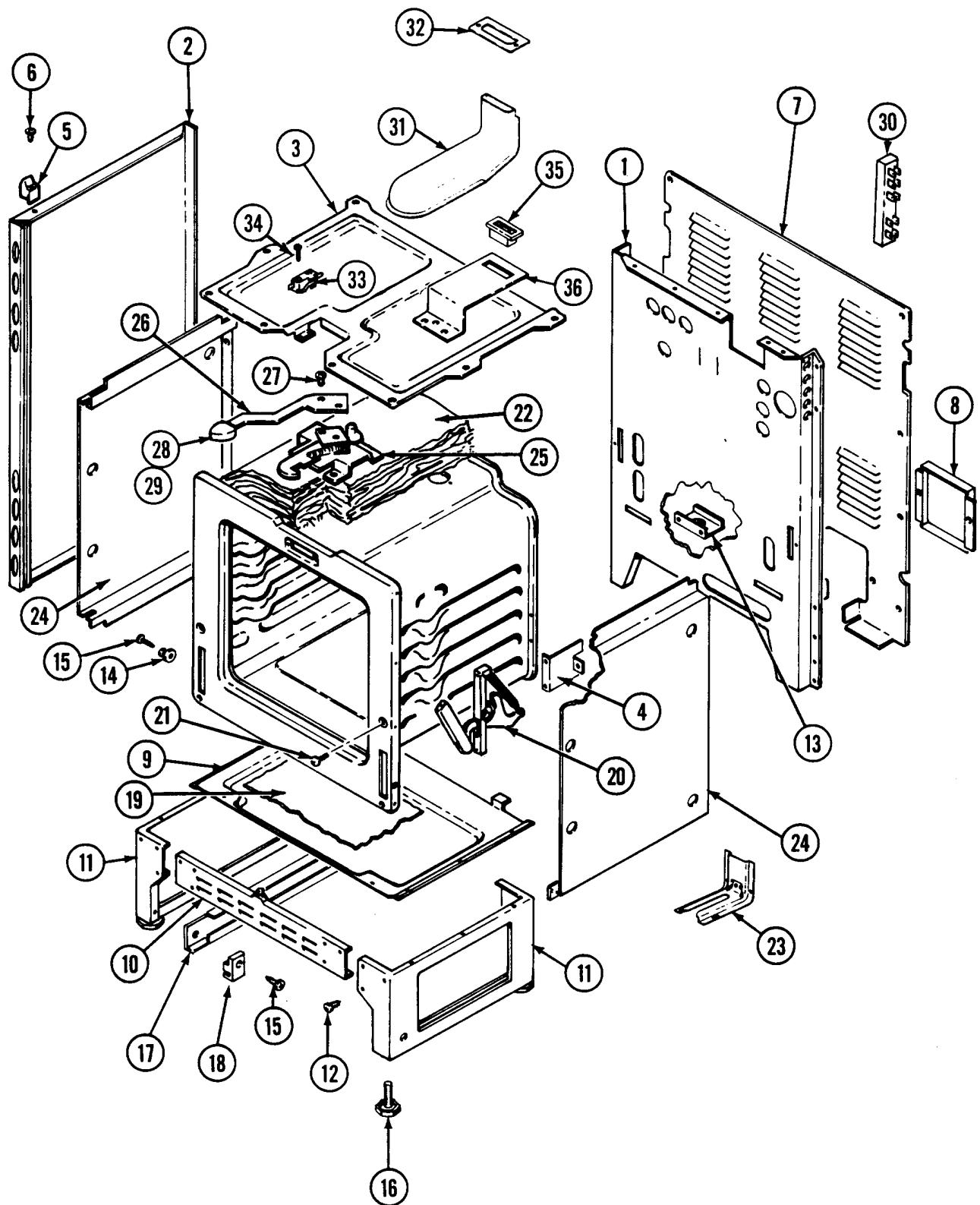
Section: OVEN

No.	Part No.	Description	Series	Qty
-	7101P290-60	SCREW Note: SCREW (#8A X 1/2")	01	10
-	7101P300-60	SCREW Note: SCREW (#8A X 1/2")	01	4
1	3807F387-45	SUPPORT, BROIL ELEMENT Note: SUPPORT, BROIL ELEMENT	01	1
2	7406P065-60	ELEMENT, BROIL Note: ELEMENT, BROIL	01	1
3	7406P064-60	ELEMENT, BAKE Note: ELEMENT, BAKE	01	1
4	7801P036-60	RACK, OVEN Note: RACK, WIRE	01	2
5	Y3401F02019	PAN, BROIL Note: PAN, BROIL	01	1
6	Y3413F01619	INSERT, BROIL PAN Note: INSERT, BROIL PAN	01	1
7	7407P088-60	RECEPTACLE, BULB Note: RECEPTACLE & HOUSING, LAMP	01	1
8	7407P091-60	LAMP, OVEN Note: LAMP, OVEN	01	1
9	3601F202-45	BAFFLE, BROIL Note: BAFFLE, BROIL	01	1
10	7724P047-60	COVER, BULB Note: COVER, OVEN BULB	01	1
11	7430P009-60	PROBE, OVEN SENSOR Note: PROBE, OVEN SENSOR	01	1

*Color Code (-)=Not Shown #=Series, Serial Prefix or Run No., N=Not Available

Section: BODY

Model: 3868XPW



C14-27

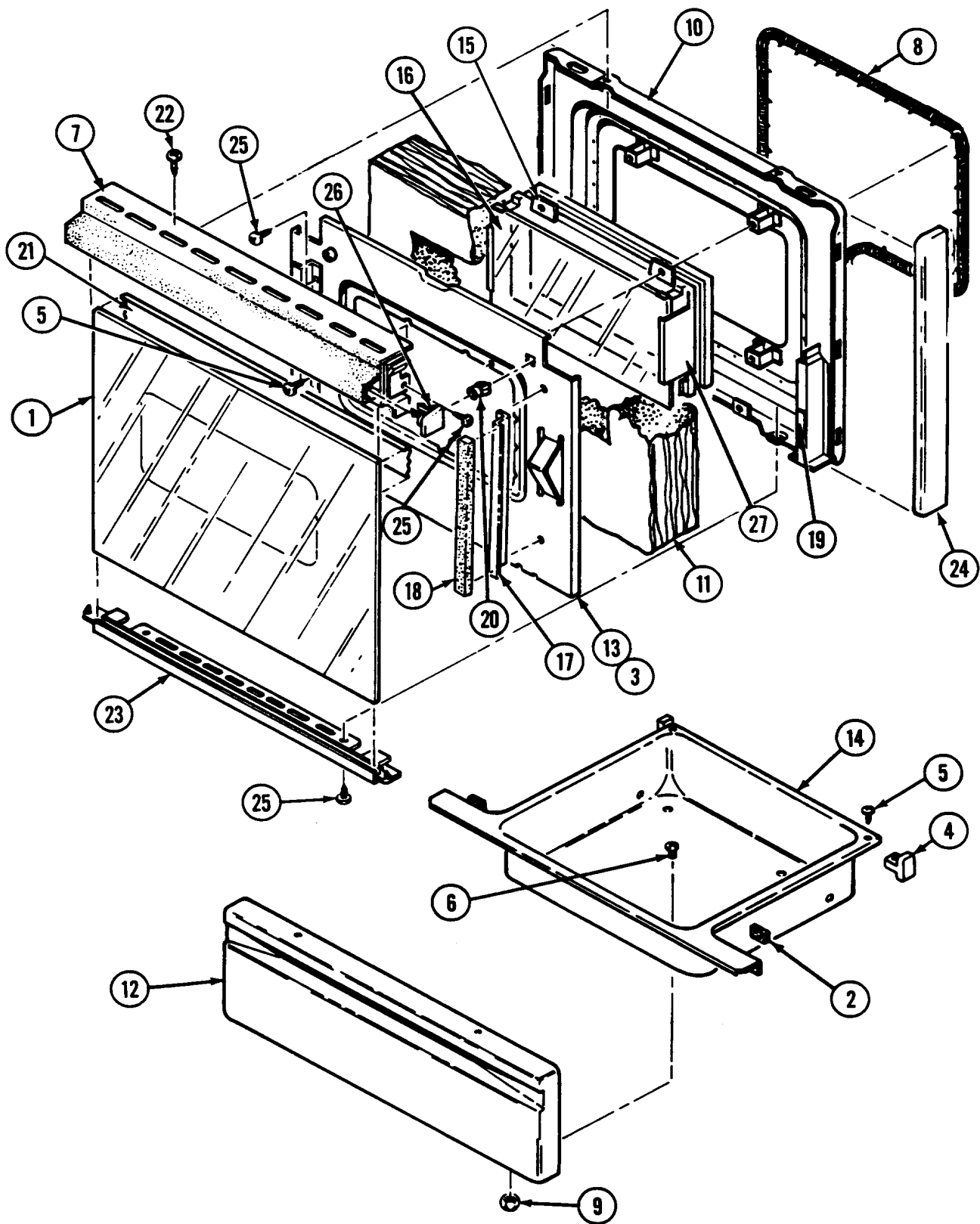
Section: BODY

No.	Part No.	Description	Series	Qty
1	4002F184-80	BACK, MAIN Note: BACK, MAIN	01	1
2	N 2618F085-71	PANEL, SIDE (WHT) Note: PANEL, SIDE (WHT)	01	2
2	2618F099-71	PANEL, SIDE (WHT)	15	2
3	N 4011F207-19	BOX, BURNER Note: BOX, BURNER	01	1
4	3807F400-51	SUPPORT, OVEN REAR Note: SUPPORT, OVEN (REAR)	01	2
5	8010P087-60	SPACER, MAIN TOP (LT) Note: SPACER, MAIN TOP (LT)	01	1
5	8010P088-60	SPACER, MAIN TOP (RT) Note: (RT)	01	1
6	7118P013-60	SCREW Note: SCREW	01	2
7	4005F348-51	COVER, MAIN BACK WIRE Note: COVER, MAIN BACK WIRE	01	1
8	4005F376-51	COVER, TERMINAL BLOCK ACCES Note: COVER, TERMINAL BLOCK ACCESS	01	1
9	3804F109-51	RETAINER, BOTTOM INSULATION Note: RETAINER, BOTTOM INSULATION	01	1
10	4020F001-80	PEDESTAL, FRONT/REAR Note: PEDESTAL (FRONT & REAR)	01	2
11	N 4020W007-80	PEDESTAL, SIDE Note: PEDESTAL (SIDES)	01	2
12	7101P290-60	SCREW Note: SCREW	01	15
13	N 3605F174-51	PLATE, CONDUIT TUBING Note: PLATE, CONDUIT	01	1
14	8004P024-60	SPACER, SIDE PANEL Note: SPACER, SIDE PANEL	01	2
15	7101P300-60	SCREW Note: SCREW	01	8
16	7101P306-60	LEG, LEVELING Note: LEG, LEVELING	01	4
17	N 3406F028-51	RUNNER, DRAWER Note: RUNNER, DRAWER	01	2
18	8004P025-60	SUPPORT, DRAWER Note: SUPPORT, DRAWER	01	2
19	N 8312P058-60	FOIL, INSULATION RETAINER Note: FOIL, RETAINER	01	1
20	7106P033-60	HINGE, DOOR Note: HINGE ASSY., DOOR	01	2
21	7101P017-60	SCREW, HINGE Note: SCREW	01	4
-	N 4804F015-60	INSULATION, BACK Note: INSULATION, BACK & BOTTOM	01	2
22	N 4804F016-60	INSULATION, WRAP Note: INSULATION, WRAP	01	1
-	7101P289-60	SCREW, BRACKET Note: SCREW, BRACKET	01	2
23	3801F218-51	BRACKET, ANTI-TIP Note: BRACKET, ANTI-TIP	01	1
24	N 3804F103-51	RETAINER, INSULATION (SIDE) Note: RETAINER, INSULATION (SIDE)	01	2
25	8002P025-60	LATCH ASSY. Note: CATCH ASSY.	01	1
-	7101P280-60	SCREW W/WASHER (BLK) Note: SCREW W/WASHER	01	2
26	8009P016-60	LEVER, LOCK Note: LEVER	01	1
-	7109P015-60	WASHER Note: WASHER (1/2")	01	1
27	7101P230-60	SCREW, LEVER Note: SCREW	01	2
28	7112P003-60	CLIP, LATCH HANDLE Note: CLIP, CATCH HANDLE	01	1
29	7701P088-60	HANDLE, LATCH (BLK) Note: HANDLE, LATCH ASSY.(BLK)	01	1
30	7401P039-60	BLOCK, TERMINAL Note: BOARD, TERMINAL	01	1
31	N 4006W107-45	VENT BOX ASSY. Note: BOX ASSY. VENT	01	1
-	7403P160-60	SWITCH, HI-LIMIT Note: SWITCH, HIGH LIMIT	01	1
-	3826W014-45	EXTENSION, VENT Note: EXTENSION, VENT ASSY.	01	1
32	7201P054-60	GASKET, VENT Note: GASKET, VENT	01	1
33	N 7403P228-60	SWITCH, DOOR LATCH Note: SWITCH, DOOR LOCK	01	1
34	7101P103-60	SCREW Note: SCREW	01	1
35	N 7407P089-60	LIGHT, INDICATOR Note: LAMP INDICATOR (HOT SURFACE)	01	1
36	N 3801F302-45	BRACKET, IND. Note: BRACKET, INDICATOR	01	1

*Color Code (-)=Not Shown #=Series, Serial Prefix or Run No., N=Not Available

Section: DOOR/DRAWER

Model: 3868XPW



C11-6

Section: DOOR/DRAWER

No.	Part No.	Description	Series	Qty
1	7902P321-60	GLASS, DOOR (BLK) Note: GLASS, DOOR (BLK)	01	1
2	8010P086-60	SPACER, RUBBER Note: SPACER, RUBBER	01	2
3	8010P085-60	SPACER, RUBBER Note: SPACER, RUBBER	01	2
4	8004P026-60	SUPPORT, DRAWER (REAR) Note: SUPPORT, REAR	01	2
5	7101P291-60	SCREW Note: SCREW (#8 X 5/8")	01	4
6	7101P115-60	SCREW Note: SCREW (#10 - 24 X 1/")	01	1
7	7701P096-60	HANDLE, DOOR (BLK) Note: HANDLE, DOOR (BLK)	01	1
7	7701P144-60	HANDLE, DOOR (BLK)	18	1
8	7201P046-60	GASKET, DOOR Note: SEAL, DOOR (GASKET)	01	1
9	7103P085-60	NUT, LOCK Note: NUT, LOCK	01	4
10	N 2402W202-19	LINING, DOOR Note: LINING, DOOR	01	1
11	4804F012-60	INSULATION DOOR Note: INSULATION, DOOR	01	1
12	2416F039-64	PANEL, DRAWER (ALM) Note: (ALM)	01	1
12	2416F039-62	PANEL, DRAWER (WHT) Note: PANEL, DRAWER (WHT)	01	1
12	2416F039-65	PANEL, DRAWER (BLK) Note: (BLK)(X MODELS)	01	1
13	N 3601F232-45	BAFFLE, DOOR Note: BAFFLE	01	1
14	N 3405F015-80	DRAWER, STORAGE Note: DRAWER, ASSY.	01	1
15	N 7907P009-60	FRAME, WINDOW Note: FRAME, WINDOW	01	1
16	7907P014-60	GLASS ASY, OVEN DOOR Note: WINDOW ASSY.	01	1
17	3818F052-51	CHANNEL, AIR Note: CHANNEL, AIR	01	2
18	7208P002-60	SEAL Note: SEAL, FOAM	01	2
19	7208P011-60	SEAL, RUBBER Note: SEAL, DOOR GLASS	01	2
20	N 8010P075-60	SPACER Note: SPACER, HANDLE	01	2
21	8270P090-60	TAPE, FOIL (3" WIDE) Note: TAPE, FOIL (3" WIDE)	01	1
22	7101P040-60	SCREW (1/2") Note: SCREW (8-18 X 1/2")	01	2
23	N 7744P105-60	TRIM, BOTTOM (BLK)---NA Note: TRIM, BOTTOM (BLK)	01	1
24	7744P055-60	END CAP, OVEN DOOR (BLK) Note: TRIM, SIDE (BLK)	01	2
25	7101P290-60	SCREW Note: SCREW	01	13

*Color Code (-)=Not Shown #=Series, Serial Prefix or Run No., N=Not Available

Free Manuals Download Website

<http://myh66.com>

<http://usermanuals.us>

<http://www.somanuals.com>

<http://www.4manuals.cc>

<http://www.manual-lib.com>

<http://www.404manual.com>

<http://www.luxmanual.com>

<http://aubethermostatmanual.com>

Golf course search by state

<http://golfingnear.com>

Email search by domain

<http://emailbydomain.com>

Auto manuals search

<http://auto.somanuals.com>

TV manuals search

<http://tv.somanuals.com>