

STANDARD CLEANING GAS RANGE

Use & Care Guide

For questions about features, operation/performance parts, accessories or service, call: **1-800-253-1301**.

or visit our website at...
www.estateappliances.com

ESTUFA DE GAS DE LIMPIEZA ESTÁNDAR

Guía de uso y cuidado

Para consultas respecto a características, funcionamiento, rendimiento, partes, accesorios o servicio técnico, llame al: **1-800-253-1301**

o visite nuestro sitio web en:
www.estateappliances.com

Table of Contents/Índice 2

Model/Modelo TGP325

TO THE INSTALLER: PLEASE LEAVE THIS INSTRUCTION BOOK WITH THE UNIT.

TO THE CONSUMER: PLEASE READ AND KEEP THIS BOOK FOR FUTURE REFERENCE.

PARA EL INSTALADOR: FAVOR DE DEJAR ESTE MANUAL DE INSTRUCCIONES CON LA UNIDAD.

PARA EL CONSUMIDOR: FAVOR DE LEER Y GUARDAR ESTE MANUAL PARA FUTURAS REFERENCIAS.

98012565

TABLE OF CONTENTS

RANGE SAFETY	3
The Anti-Tip Bracket	4
PARTS AND FEATURES	5
COOKTOP USE	6
Cooktop Controls	6
Sealed Surface Burners	6
Burner Rotation	7
Home Canning	7
Cookware	7
ELECTRONIC OVEN CONTROL	8
Display	8
Oven Indicator Lights	8
Start/Enter	8
Off/Cancel	8
Clock	8
Timer	8
Control Lock	9
Oven Temperature Control	9
OVEN USE	9
Aluminum Foil	9
Positioning Racks and Bakeware	9
Bakeware	10
Oven Vent	10
Baking and Roasting	10
Broiling and Custom Broiling	10
Timerd Cooking	11
RANGE CARE	12
General Cleaning	12
Oven Light	13
Oven Door	13
Removing the Oven Bottom	13
TROUBLESHOOTING	14
ASSISTANCE OR SERVICE	15
WARRANTY	16

ÍNDICE

SEGURIDAD DE LA COCINA	17
El Soporte antivuelco	18
PIEZAS Y CARACTERÍSTICAS	19
USO DE LA SUPERFICIE DE COCCIÓN	20
Controles de la superficie de cocción	20
Quemadores exteriores sellados	20
Rotación de los quemadores	21
Enlatado casero	21
Utensilios de cocina	22
CONTROL ELECTRÓNICO DEL HORNO	22
Pantalla	22
Luces indicadoras del horno	22
Start/Enter (Inicio/ingreso)	22
Off/Cancel (Apagado/anulado)	23
Reloj	23
Temporizador	23
Bloqueo de Control	23
Control de temperatura del horno	23
USO DEL HORNO	23
Papel de aluminio	23
Posición de las parrillas y los utensilios para hornear	24
Utensilios para hornear	24
Ducto de ventilación del horno	25
Cómo hornear y asar	25
Asado regular y asado al gusto	25
Cocción temporizada	26
CUIDADO DE LA ESTUFA	27
Limpieza general	27
Luz del horno	28
Puerta del horno	28
Para quitar el fondo del horno	29
SOLUCIÓN DE PROBLEMAS	29
AYUDA O SERVICIO TECNICO	31
GARANTÍA	32

RANGE SAFETY

Your safety and the safety of others are very important.

We have provided many important safety messages in this manual and on your appliance. Always read and obey all safety messages.



This is the safety alert symbol.

This symbol alerts you to potential hazards that can kill or hurt you and others.

All safety messages will follow the safety alert symbol and either the word "DANGER" or "WARNING." These words mean:

⚠ DANGER

You can be killed or seriously injured if you don't immediately follow instructions.

⚠ WARNING

You can be killed or seriously injured if you don't follow instructions.

All safety messages will tell you what the potential hazard is, tell you how to reduce the chance of injury, and tell you what can happen if the instructions are not followed.

WARNING: If the information in this manual is not followed exactly, a fire or explosion may result causing property damage, personal injury or death.

- **Do not store or use gasoline or other flammable vapors and liquids in the vicinity of this or any other appliance.**
- **WHAT TO DO IF YOU SMELL GAS:**
 - **Do not try to light any appliance.**
 - **Do not touch any electrical switch.**
 - **Do not use any phone in your building.**
 - **Immediately call your gas supplier from a neighbor's phone. Follow the gas supplier's instructions.**
 - **If you cannot reach your gas supplier, call the fire department.**
- **Installation and service must be performed by a qualified installer, service agency or the gas supplier.**

The California Safe Drinking Water and Toxic Enforcement Act requires the Governor of California to publish a list of substances known to the State of California to cause cancer, birth defects, or other reproductive harm, and requires businesses to warn of potential exposure to such substances.

WARNING: This product contains a chemical known to the State of California to cause cancer, birth defects, or other reproductive harm.

This appliance can cause low-level exposure to some of the substances listed, including benzene, formaldehyde, carbon monoxide, toluene, and soot.

The Anti-Tip Bracket

The range will not tip during normal use. However, the range can tip if you apply too much force or weight to the open door without the anti-tip bracket fastened down properly.



⚠ WARNING

Tip Over Hazard

A child or adult can tip the range and be killed.

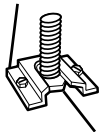
Connect anti-tip bracket to rear range foot.

Reconnect the anti-tip bracket, if the range is moved.

See the installation instructions for details.

Failure to follow these instructions can result in death or serious burns to children and adults.

Anti-Tip Bracket



Range Foot

Making sure the anti-tip bracket is installed:

- **Slide range forward.**
- **Look for the anti-tip bracket securely attached to floor.**
- **Slide range back so rear range foot is under anti-tip bracket.**

IMPORTANT SAFETY INSTRUCTIONS

WARNING: To reduce the risk of fire, electrical shock, injury to persons, or damage when using the range, follow basic precautions, including the following:

- **WARNING:** TO REDUCE THE RISK OF TIPPING OF THE RANGE, THE RANGE MUST BE SECURED BY PROPERLY INSTALLED ANTI-TIP DEVICES. TO CHECK IF THE DEVICES ARE INSTALLED PROPERLY, SLIDE RANGE FORWARD, LOOK FOR ANTI-TIP BRACKET SECURELY ATTACHED TO FLOOR, AND SLIDE RANGE BACK SO REAR RANGE FOOT IS UNDER ANTI-TIP BRACKET.
- **CAUTION:** Do not store items of interest to children in cabinets above a range or on the backguard of a range – children climbing on the range to reach items could be seriously injured.
- **Proper Installation** – The range, when installed, must be electrically grounded in accordance with local codes or, in the absence of local codes, with the *National Electrical Code, ANSI/NFPA 70*. In Canada, the range must be electrically grounded in accordance with Canadian Electrical Code. Be sure the range is properly installed and grounded by a qualified technician.
- This range is equipped with a three-prong grounding plug for your protection against shock hazard and should be plugged directly into a properly grounded receptacle. Do not cut or remove the grounding prong from this plug.

- Disconnect the electrical supply before servicing the appliance.
- Never Use the Range for Warming or Heating the Room.
- Injuries may result from the misuse of appliance doors or drawers such as stepping, leaning, or sitting on the doors or drawers.
- Maintenance – Keep range area clear and free from combustible materials, gasoline, and other flammable vapors and liquids.
- Storage in or on the Range – Flammable materials should not be stored in an oven or near surface units.
- Top burner flame size should be adjusted so it does not extend beyond the edge of the cooking utensil.

For self-cleaning ranges –

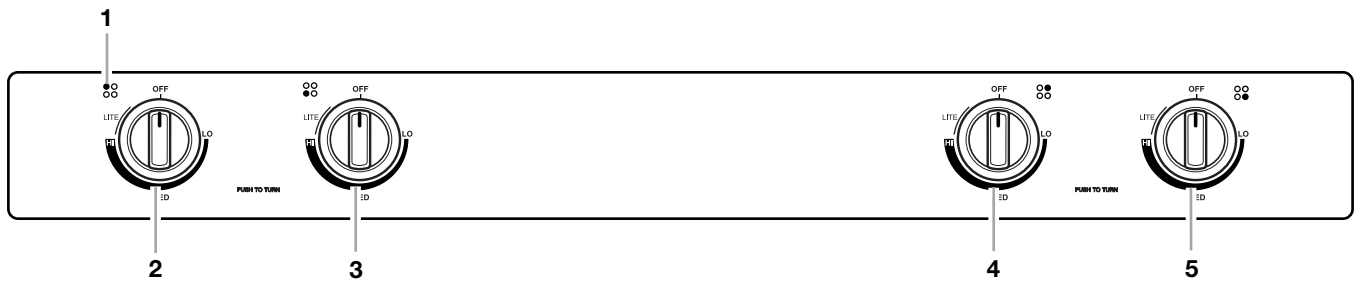
- **Before Self-Cleaning the Oven** – Remove broiler pan and other utensils. Wipe off all excessive spillage before initiating the cleaning cycle.

SAVE THESE INSTRUCTIONS

PARTS AND FEATURES

This manual covers several different models. The range you have purchased may have some or all of the parts and features listed. The locations and appearances of the features shown here may not match your model.

Cooktop Control Panel

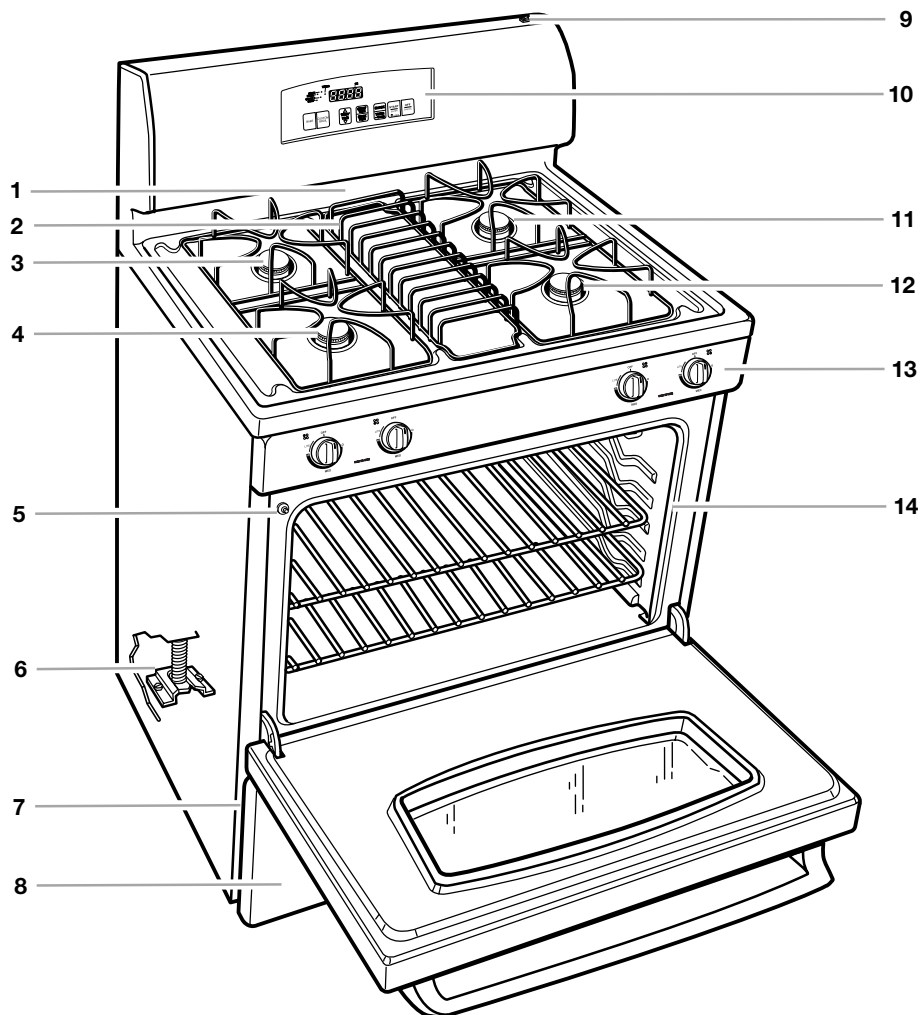


1. Surface Burner Locator
2. Left Rear Burner Control Knob

3. Left Front Burner Control Knob
4. Right Rear Burner Control Knob

5. Right Front Burner Control Knob

Range



1. Oven Vent
2. Center Grate (on some models)
3. Left Rear Surface Burner and Grate
4. Left Front Surface Burner and Grate
5. Automatic Oven Light Switch

6. Anti-Tip Bracket
7. Model and Serial Number Plate
(behind left side of Broiler Door)
8. Broiler Door
9. Manual Oven Light Switch

10. Electronic Oven Control
11. Right Rear Surface Burner and Grate
12. Right Front Surface Burner and Grate
13. Cooktop Control Panel
14. Door Gasket

COOKTOP USE

Cooktop Controls

⚠ WARNING



Fire Hazard

Do not let the burner flame extend beyond the edge of the pan.

Turn off all controls when not cooking.

Failure to follow these instructions can result in death or fire.

Electric ignitors automatically light the surface burners when control knobs are turned to LITE.

Before setting a control knob, place filled cookware on the grate. Do not operate a burner using empty cookware or without cookware on the grate.

To Set Burner Temperature:

1. Push in and turn knob counterclockwise to LITE.
All four surface burners will click. Only the burner with the control knob turned to LITE will produce a flame.
2. Turn knob anywhere between HIGH and LOW. The clicking will stop. Use the following chart as a guide when setting heat levels.

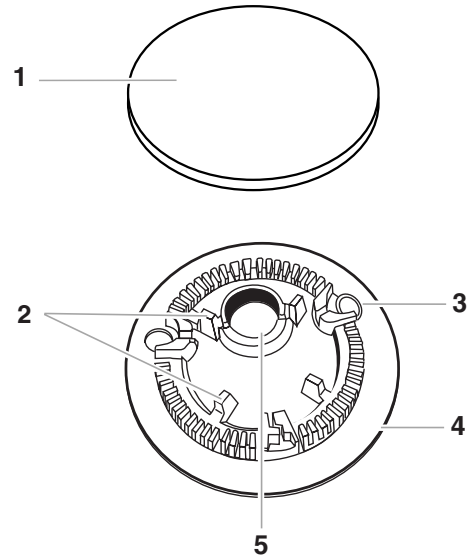
SETTING	RECOMMENDED USE
LITE	<ul style="list-style-type: none"> Light the burner.
HI	<ul style="list-style-type: none"> Start food cooking. Bring liquid to a boil.
MED	<ul style="list-style-type: none"> Hold a rapid boil. Quickly brown or sear food. Fry or sauté foods. Cook soups, sauces and gravies. Stew or steam foods.
LO	<ul style="list-style-type: none"> Keep food warm. Melt chocolate or butter. Simmer.

Power failure

In case of prolonged power failure, the surface burners can be lighted manually. Hold a lighted match near a burner and turn knob counterclockwise to LITE. After burner lights, turn knob to setting.

REMEMBER: When range is in use or (on some models) during the Self-Cleaning cycle, the entire cooktop area may become hot.

Sealed Surface Burners

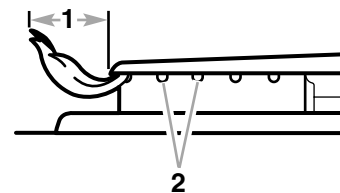


1. Burner cap
2. Alignment pins
3. Ignitor
4. Burner
5. Gas tube opening

IMPORTANT: Do not obstruct the flow of combustion and ventilation air around the burner grate edges.

Burner cap: Always keep the burner cap in place when using a surface burner. A clean burner cap will help prevent poor ignition and uneven flames. Always clean the burner cap after a spillover and routinely remove and clean the caps according to the "General Cleaning" section.

Gas tube opening: Gas must flow freely throughout the gas tube opening for the burner to light properly. Keep this area free of soil and do not allow spills, food, cleaning agents or any other material to enter the gas tube opening. Protect it from spillovers by always using a burner cap.



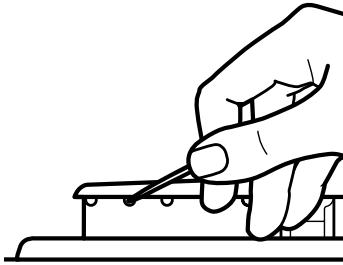
1. 1-1½" (25-38 mm)
2. Burner ports

Burner ports: Check burner flames occasionally for proper size and shape as shown above. A good flame is blue in color, not yellow. Keep this area free of soil and do not allow spills, food, cleaning agents or any other material to enter the burner ports.

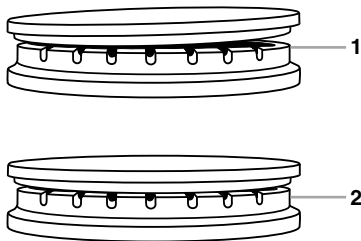
To Clean:

IMPORTANT: Before cleaning, make sure all controls are off and the oven and cooktop are cool. Do not use oven cleaners, bleach or rust removers.

1. Remove the burner cap from the burner base and clean according to "General Cleaning" section.
2. Clean the gas tube opening with a damp cloth.
3. Clean clogged burner ports with a straight pin as shown. Do not enlarge or distort the port. Do not use a wooden toothpick. If the burner needs to be adjusted, contact a trained repair specialist.



4. Replace the burner cap, making sure the alignment pins are properly aligned with the burner cap.



1. Incorrect
2. Correct

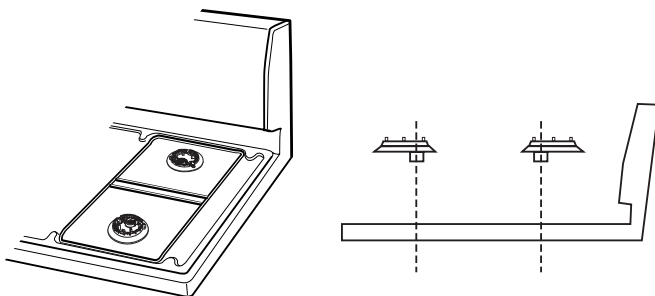
5. Turn on the burner. If the burner does not light, check cap alignment. If the burner still does not light, do not service the sealed burner yourself. Contact a trained repair specialist.

Burner Rotation

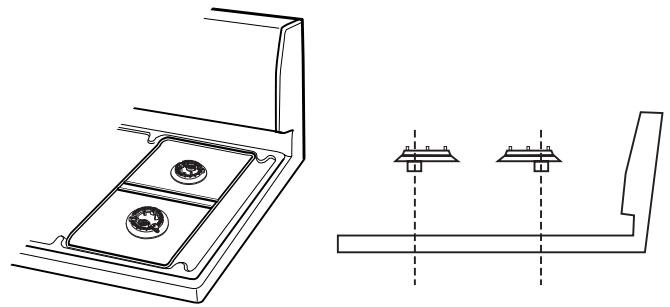
The right side burners can be rotated 180° to reduce the distance between the front and back burners. This permits better heat distribution when using oblong pans or griddles.

To Rotate Burners:

1. Make sure burners are cool before beginning rotation.
2. Remove right side grates and burner caps.
3. Lift burners from cooktop, as shown.



4. Rotate burners 180°, as shown.



5. Replace burners, with large hole over gas tube opening, and small hole over the ignitor. See "Sealed Surface Burners" section for burner parts descriptions. Push burner down, flush with cooktop.
6. Replace burner caps and grates.

Home Canning

When canning for long periods, alternate the use of surface cooking areas, elements or surface burners between batches. This allows time for the most recently used areas to cool.

- Center the canner on the grate or largest surface cooking area or element. Canners should not extend more than 1 in. (2.5 cm) outside the cooking area.
- Do not place canner on two surface cooking areas, elements or surface burners at the same time.
- On ceramic glass models, only use flat-bottomed canners.
- On coil element models, the installation of a Canning Unit Kit is recommended. If not installed, the life of the coil element will be shortened. See "Assistance or Service" for ordering instructions.
- For more information, contact your local U.S. Government Agricultural Department Extension Office. In Canada, contact Agriculture Canada. Companies that manufacture home canning products can also offer assistance.

Cookware

IMPORTANT: Never leave empty cookware on a hot surface cooking area, element or surface burner.

Ideal cookware should have a flat bottom, straight sides, a well-fitting lid and the material should be of medium-to-heavy thickness.

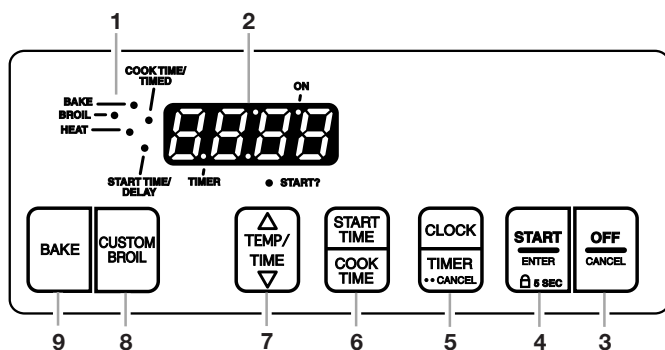
Rough finishes may scratch the cooktop. Aluminum and copper may be used as a core or base in cookware. However, when used as a base it can leave permanent marks on the cooktop or grates.

Cookware material is a factor in how quickly and evenly heat is transferred, which affects cooking results. A non-stick finish has the same characteristics as its base material. For example, aluminum cookware with a non-stick finish will take on the properties of aluminum.

Use the following chart as a guide for cookware material characteristics.

COOKWARE	CHARACTERISTICS
Aluminum	<ul style="list-style-type: none"> Heats quickly and evenly. Suitable for all types of cooking. Medium or heavy thickness is best for most cooking tasks.
Cast iron	<ul style="list-style-type: none"> Heats slowly and evenly. Good for browning and frying. Maintains heat for slow cooking.
Ceramic or Ceramic glass	<ul style="list-style-type: none"> Follow manufacturer's instructions. Heats slowly, but unevenly. Ideal results on low to medium heat settings.
Copper	<ul style="list-style-type: none"> Heats very quickly and evenly.
Earthenware	<ul style="list-style-type: none"> Follow manufacturer's instructions. Use on low heat settings.
Porcelain enamel-on-steel or cast iron	<ul style="list-style-type: none"> See stainless steel or cast iron.
Stainless steel	<ul style="list-style-type: none"> Heats quickly, but unevenly. A core or base of aluminum or copper on stainless steel provides even heating.

ELECTRONIC OVEN CONTROL



- Indicator Lights
- Electronic Display
- Off/Cancel pad
- Start/Enter pad
- Clock/Timer pad
- Start Time/Cook Time pad (on some models)
- Temperature/Time pad
- Custom Broil pad
- Bake pad

Display

When power is first supplied to the appliance, "PF" will appear on the display. Press OFF to clear.

Any other time "PF" appears, a power failure has occurred. Press OFF and reset the Clock if needed.

When the oven is in use, the display shows preheat time and the temperature and oven setting.

When the oven is not in use, the display shows the time of day.

When using COOK TIME (on some models,) the display will show either hours and minutes, or minutes and seconds.

Oven Indicator Lights

The indicator lights are located to the left of, below, and within the display. The indicator lights light up or flash when the oven is in one of the following modes: BAKE, BROIL, HEAT, START?, ON, TIMER, COOK TIME/TIMED cooking (on some models), and START TIME/DELAY cooking (on some models).

Start/Enter

The START/ENTER pad begins any oven function except the Timer. If not pressed within 5 seconds after pressing a function pad, the "START?" indicator light will flash as a reminder. On some models, "START?" will appear on the display.

If not pressed within 4 to 5 minutes (depending on your model) after pressing a function pad, the oven display will return to the time of day mode and the programmed function will be canceled.

Off/Cancel

The OFF pad stops any function except the Clock, Timer and Control Lock.

Clock

This is a 12-hour clock and does not show a.m. or p.m.

To Set:

Before setting, make sure the oven and Timer are off.

- Touch CLOCK.
- Touch the "up" or "down" arrow pads to set the time of day.
- Touch CLOCK or START.

Timer

The Timer can be set in hours or minutes up to 12 hours and 59 minutes, and counts down the set time either in hours and minutes, or in minutes and seconds. The Timer does not start or stop the oven.

To Set:

- Touch TIMER.
The Timer indicator light will light up.
- Touch the "up" or "down" arrow pads to set the length of time to cook.

3. Touch START/ENTER.

When the Timer has finished counting down, four one-second tones will sound.

To display the time of day at any time during timed cooking, touch CLOCK once

4. Touch TIMER twice at any time during Timer operation to cancel the Timer.

The time can be reset during the countdown by repeating the above steps.

Control Lock

The Control Lock shuts down the control panel pads to prevent unintended use of the oven.

When the control is locked, only the CLOCK and TIMER pads will function.

To Lock/Unlock Control: Before locking, make sure the oven and Timer are off. Touch and hold START/ENTER for 5 seconds. A single tone will sound, "LOC" and "LOCK'D" (on some models) will appear on the display. "LOC" will also appear whenever any command pad is pressed while the control is locked.

Repeat to unlock. "LOC" and "LOCK'D" (on some models) will disappear from the display.

Oven Temperature Control

IMPORTANT: Do not use a thermometer to measure oven temperature because opening the oven door and element or burner cycling may give incorrect readings.

The oven provides accurate temperatures; however, it may cook faster or slower than your previous oven, so the temperature calibration can be adjusted. It can be changed in Fahrenheit or Celsius.

A minus sign means the oven will be cooler by the displayed amount. No sign means the oven will be warmer by the displayed amount. Use the following chart as a guide.

ADJUSTMENT °F (ADJUSTMENT °C)	COOKS FOOD
10°F (5°C)	...a little more
20°F (10°C)	...moderately more
30°F (15°C)	...much more
-10°F (-5°C)	...a little less
-20°F (-10°C)	...moderately less
-30°F (-15°C)	...much less

To Adjust Oven Temperature Calibration:

1. Touch and hold BAKE for 5 seconds until the oven display shows the current calibration, for example "00."
2. Touch the TEMP "up" or "down" arrow pad(s) to increase or to decrease the temperature in 10°F (5°C) amounts. The adjustment can be set between 30°F (15°C) and -30°F (-15°C).
3. Touch START/ENTER.

OVEN USE

Odors are normal when the range is new. This happens the first time the oven is used or when the oven is heavily soiled.

IMPORTANT: The health of some birds is extremely sensitive to the fumes given off. Exposure to the fumes may result in death to certain birds. Always move birds to another closed and well ventilated room.

Aluminum Foil

IMPORTANT: Do not line the oven bottom with any type of foil, liners or cookware because permanent damage will occur to the oven bottom finish.

- Do not block or cover the oven bottom vents.
- Do not cover entire rack with foil because air must be able to move freely for best cooking results.
- To catch spills, place foil on rack below dish. Make sure foil is at least 1 in. (2.5 cm) larger than the dish and that it is turned up at the edges.

Positioning Racks and Bakeware

IMPORTANT: Never place food or bakeware directly on the oven door or bottom. Permanent damage will occur to the porcelain finish.

RACKS

Position racks before turning the oven on. Do not move racks with bakeware on them. Make sure racks are level. For best performance, cook on one rack. Place the rack so the top of food will be centered in the oven. To move a rack, pull it out to the stop position, raise the front edge, then lift out.

FOOD	RACK POSITION
Frozen pies, large roasts, turkeys, angel food cakes	1 or 2
Bundt cakes, most quick breads, yeast breads, casseroles, meats	2
Cookies, biscuits, muffins, cakes, non-frozen pies	2 or 3

BAKEWARE

To cook food evenly, hot air must be able to circulate. Allow 2 in. (5 cm) of space around bakeware and oven walls. Use the following chart as a guide.

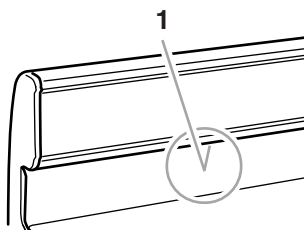
NUMBER OF PAN(S)	POSITION ON RACK
1	Center of rack.
2	Side by side or slightly staggered.
3 or 4	Opposite corners on each rack. Make sure that no bakeware piece is directly over another.

Bakeware

The bakeware material affects cooking results. Follow manufacturer's recommendations and use the bakeware size recommended in the recipe. Use the following chart as a guide.

BAKEWARE/ RESULTS	RECOMMENDATIONS
Light colored aluminum <ul style="list-style-type: none">■ Light golden crusts■ Even browning	<ul style="list-style-type: none">■ Use temperature and time recommended in recipe.
Dark aluminum and other bakeware with dark, dull and/or non-stick finish <ul style="list-style-type: none">■ Brown, crisp crusts	<ul style="list-style-type: none">■ May need to reduce baking temperatures 25°F (15°C).■ Use suggested baking time.■ For pies, breads and casseroles, use temperature recommended in recipe.■ Place rack in center of oven.
Insulated cookie sheets or baking pans <ul style="list-style-type: none">■ Little or no bottom browning	<ul style="list-style-type: none">■ Place in the bottom third of oven.■ May need to increase baking time.
Stainless steel <ul style="list-style-type: none">■ Light, golden crusts■ Uneven browning	<ul style="list-style-type: none">■ May need to increase baking time.
Stoneware <ul style="list-style-type: none">■ Crisp crusts	<ul style="list-style-type: none">■ Follow manufacturer's instructions.
Ovenproof glassware, ceramic glass or ceramic <ul style="list-style-type: none">■ Brown, crisp crusts	<ul style="list-style-type: none">■ May need to reduce baking temperatures 25°F (15°C).

Oven Vent



1. Oven Vent

The oven vent releases hot air and moisture from the oven, and should not be blocked or covered. Doing so will cause poor air circulation, affecting cooking and cleaning results. Never set plastics, paper or other items that could melt or burn near the oven vent.

Baking and Roasting

IMPORTANT: Never light the oven burner during a power failure. Never place food or cookware directly on the oven door or the oven bottom. When using the oven for the first time, it is necessary to turn any one of the surface burners on first to release air from the gas lines.

Before baking and roasting, position racks according to the "Positioning Racks" section.

To Bake or Roast:

1. Touch **BAKE**.

Touch TEMP "up" or "down" arrow pads to set a temperature other than 350°F (177°C) in 5°F (3°C) amounts. The bake range can be set between 170°F and 500°F (77°C and 260°C).

2. Touch **START/ENTER**.

The temperature can be changed at any time after this step by touching the TEMP "up" or "down" arrow pads. **START/ENTER** does not need to be touched again. If baking/roasting while the Timer is counting down, the set baking/roasting temperature can be displayed for 5 seconds by touching **BAKE**.

3. Touch **OFF/CANCEL** when finished.

Preheating

After **START/ENTER** is touched, the oven will enter a timed preheat conditioning cycle. The **HEAT**, **BAKE**, and **ON** indicator lights will light up. The Electronic Oven Control automatically selects the conditioning cycle time based on the oven temperature selected. The conditioning cycle time will not change if the temperature is reset before the cycle countdown ends. The preheat conditioning cycle is complete and the oven is ready to use when a 1-second tone sounds, the cycle countdown ends, and the set temperature is displayed.

Preheat temperatures are affected by varying factors such as room temperature and peak energy usage times. It is normal for the temperature showing on the display and the actual oven temperature to differ.

Waiting an additional 10 minutes after the preheat conditioning time ends to put food in the oven is suggested when baking foods with leavening ingredients, such as yeast, baking powder, baking soda and eggs.

Broiling and Custom Broiling

BROILER

The broiler is located below the oven door. The broiler pan and grid roll out for easy access. Always broil with the broiler and oven doors closed.

- Do not step on or apply weight to the broiler door while it is open.
- Do not preheat broiler before use. Completely close broiler door during broiling.
- Do not use broiler drawer for storage.
- Use only the broiler pan and grid provided with the appliance. It is designed to drain juices and help prevent spatter and smoke.
- For proper draining, do not cover the grid with foil. The bottom of the pan may be lined with aluminum foil for easier cleaning.
- Trim excess fat to reduce spattering. Slit the remaining fat on the edges to prevent curling.

- Pull out oven rack to stop position before turning or removing food. Use tongs to turn food to avoid the loss of juices. Very thin cuts of fish, poultry or meat may not need to be turned.
- After broiling, remove the pan from the oven when removing the food. Drippings will bake on the pan if left in the heated oven, making cleaning more difficult.

To Broil:

1. Open the broiler door and roll out the broiler pan and grid.
2. Place the broiler pan and grid so grease can drain down into the lower part of the broiler pan.
3. Place food on broiler pan. Then place the pan on the broiler rack and close the broiler door.
4. Touch CUSTOM BROIL.
The BROIL indicator light will light up.
5. Touch START/ENTER.
The ON and HEAT indicator lights will light up. The temperature setting can be changed at any time during broiling. If broiling while the Timer is counting down, the set broiling temperature can be displayed for 5 seconds by touching CUSTOM BROIL.
6. Touch OFF/CANCEL when finished broiling.

To CUSTOM BROIL:

Changing the temperature while custom broiling allows more precise control when cooking. The lower the temperature, the slower the cooking. Thicker cuts and unevenly shaped pieces of meat, fish and poultry may cook better at lower broiling temperatures. If food is cooking too quickly, the broiling temperature can be lowered by touching the TEMP “down” arrow pad.

1. Touch CUSTOM BROIL.
2. Touch the TEMP “up” or “down” arrow pads to set a temperature between 300°F (149°C) and 525°F (273°C).
3. Touch START/ENTER.
4. Touch OFF/CANCEL when finished custom broiling.

BROILING CHART

For best results, broiler pan should be rotated the same time the food is turned. Times are guidelines only and may need to be adjusted for individual foods and tastes.

FOOD	COOK TIME minutes	
	SIDE 1	SIDE 2
Chicken, bone-in pieces, boneless breasts	15-17 11-13	15-17 11-13
Fish Fillets ½-¾ in. (1.25-1.8 cm) thick	7-8	3-4
Frankfurters	5-6	2-3
*Ground meat patties ¾ in. (1.8 cm) thick, well done	11-13	6-7
Ham slice, precooked ½ in. (1.25 cm) thick	6-8	3-4
Lamb chops 1 in. (2.5 cm) thick	14-17	8-9
Pork chops 1 in. (2.5 cm) thick	19-21	9-10

FOOD	COOK TIME minutes	
	SIDE 1	SIDE 2
Steak 1 in. (2.5 cm) thick, medium rare, medium well done	10-12 12-14 16-17	5-6 6-7 8-9

* Place up to 9 patties, equally spaced, on broiler grid.

Timerd Cooking (on some models)

⚠ WARNING

Food Poisoning Hazard

Do not let food sit in oven more than one hour before or after cooking.

Doing so can result in food poisoning or sickness.

The electronic MEALTIMER™ control (on some models) allows the oven to be set to turn on at a certain time of day, cook for a set length of time, and/or shut off automatically. Delay start should not be used for food such as breads and cakes because they may not bake properly.

To Set a Cook Time (on some models):

1. Place the oven racks where needed and place food on the appropriate rack. (See “Positioning Racks and Bakeware” section.)
2. Touch BAKE.
The BAKE indicator light will light up.
3. Set the temperature (optional)
Touch the TEMP “up” or “down” arrow pads to raise or lower the temperature in 5°F (3°C) increments from the default setting of 350°F (177°C).
4. Touch COOK TIME.
The COOK TIME indicator light will light up.
5. Set the cook time.
Touch the “up” or “down” arrow pads until the correct cook time shows on the display.
6. Touch START/ENTER.
Temperature or time settings can be changed at any time after this step, by repeating steps 3 or 5.

The display will show the baking/roasting countdown time in hours and minutes, or in minutes and seconds, depending on the length of the cook time.

The MEALTIMER control setting may be canceled, and the oven turned off at any time by touching OFF/CANCEL.
7. When baking/roasting is complete, the oven will automatically turn itself off, and 4 one-second tones will sound.

To Set a Delayed Start Cook Time (on some models):

Before setting, make sure the clock is set to the correct time of day. See "Clock" section.

1. Place the oven racks where needed and place food on the appropriate rack. (See "Positioning Racks and Bakeware" section.)
2. Touch **BAKE**.
The **BAKE** indicator light will light up.
3. Set the temperature (optional)
Touch the **TEMP** "up" or "down" arrow pads to raise or lower the temperature in 5°F (3°C) increments from the default setting of 350°F (177°C).
4. Touch **COOK TIME**.
The **COOK TIME** indicator light will light up.
5. Set the cook time.
Touch the "up" or "down" arrow pads until the correct cook time shows on the display.
6. Touch **START TIME**.
The **START TIME/DELAY** indicator light will light up.
7. Set the start time.
Touch the **TIME** "up" or "down" arrow pads until the correct start time shows on the display.
8. Touch **START/ENTER**.
The temperature or time settings may be changed at any time after this step by repeating steps 3 through 8.

The **MEALTIMER** delayed start cook time control setting may be canceled, and the oven turned off at any time by touching **OFF/CANCEL**.
9. When the start time is reached, a one-second tone will sound. The display will show the baking/roasting countdown time in hours and minutes, or in minutes and seconds, depending on the length of the cook time.
10. When baking/roasting is complete, the oven will automatically turn itself off, and 4 one-second tones will sound.

RANGE CARE

General Cleaning

IMPORTANT: Before cleaning, make sure all controls are off and the oven and cooktop are cool. Always follow label instructions on cleaning products. Do not wipe down any of the inside surfaces until the oven has completely cooled down. Applying a cool damp cloth to the inner door glass before it has cooled completely could result in the glass breaking.

Soap, water and a soft cloth or sponge are suggested first unless otherwise noted.

COOKTOP CONTROLS

Do not use steel wool, abrasive cleansers or oven cleaner.

Do not soak knobs.

When replacing knobs, make sure knobs are in the **OFF** position.

On some models, do not remove seals under knobs.

- Soap and water or dishwasher:
Pull knobs straight away from control panel to remove.

CONTROL PANEL

Do not use abrasive cleaners, steel-wool pads, gritty wash cloths or some paper towels. Damage may occur.

- Glass cleaner and soft cloth or sponge:
Apply glass cleaner to soft cloth or sponge, not directly on panel.

EXTERIOR PORCELAIN ENAMEL SURFACES (on some models)

Food spills containing acids, such as vinegar and tomato, should be cleaned as soon as the entire appliance is cool. These spills may affect the finish.

- Glass cleaner, mild liquid cleaner or non-abrasive scrubbing pad:
Gently clean around the model and serial number plate because scrubbing may remove numbers.

PORCELAIN-COATED GRATES AND CAPS

Food spills containing acids, such as vinegar and tomato, should be cleaned as soon as the cooktop, grates and caps are cool. These spills may affect the finish.

To avoid chipping, do not bang grates and caps against each other or hard surfaces such as cast iron cookware.

Do not reassemble caps on burners while wet.

Do not clean in dishwasher.

- Non-abrasive plastic scrubbing pad and mildly abrasive cleanser:
Clean as soon as cooktop, grates and caps are cool.

SURFACE BURNERS

Sealed Burner models

See "Sealed Surface Burners" section.

Open Burner models

See "Surface Burners" section.

BROILER PAN AND GRID

- Mildly abrasive cleanser:
Scrub with wet scouring pad.
- Solution of ½ cup (125 mL) ammonia to 1 gallon (3.75 L) water:
Soak for 20 minutes, then scrub with scouring or steel wool pad.
- Oven cleaner:
Follow product label instructions.

Porcelain enamel only, not chrome

- Dishwasher

OVEN CAVITY

Food spills should be cleaned when oven cools. At high temperatures, foods react with porcelain and staining, etching, pitting or faint white spots can result.

On some models, the oven door can be removed. See "Oven Door" first.

- Steel wool pad
- Oven cleaner:

Follow product label instructions. Do not let cleaner contact gasket, thermostat or exterior surfaces. Line the floor with newspaper.

OVEN DOOR GLASS (on some models)

- Glass cleaner and paper towels or non-abrasive plastic scrubbing pad

OVEN AND ROASTING RACK

- Steel wool pad

Oven Light

The oven light is a standard 40-watt appliance bulb. It will come on when the oven door is open. When the oven door is closed, press the manual oven light switch on the backguard to turn on and off.

Before replacing, make sure the oven and cooktop are cool and the control knobs are off.

To Replace:

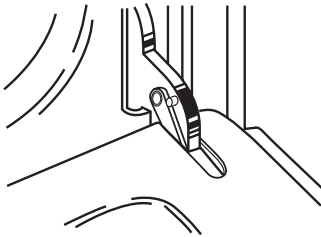
1. Unplug range or disconnect power.
2. Turn bulb counterclockwise to remove from socket.
3. Replace bulb.
4. Plug in range or reconnect power.

Oven Door

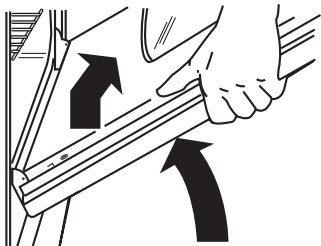
For normal range use, it is not suggested to remove the oven door. However, if necessary, follow these instructions. The oven door is heavy.

To Remove:

1. Open the oven door. Insert hinge pins, included with your range, into both hinge hangers. Do not remove the pins while the door is removed from the range.



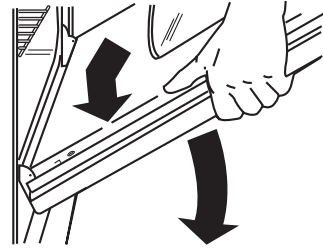
2. Grasp the door on the sides with your fingers on the front of the door and your thumbs on the inside surface.



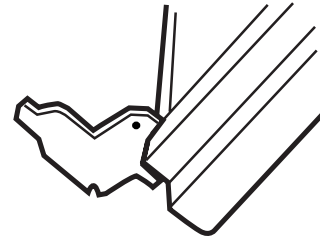
3. Pull door straight up, then toward you. Do not remove hinge pins until the door is replaced on the range.

To Replace:

1. Grasp the door on the sides with your fingers on the front of the door and your thumbs on the inside surface.



2. Hold oven door so that the top edge of each door slot is horizontal. Insert door hinge into the hinge slots.
3. Tilt top of door toward range. Insert bottom door hinge notch down onto front frame edge.



4. Open the door completely and remove the hinge pins. Save hinge pins for future use.
5. Close the door slowly to assure door side panel clearance and proper hinge engagement.

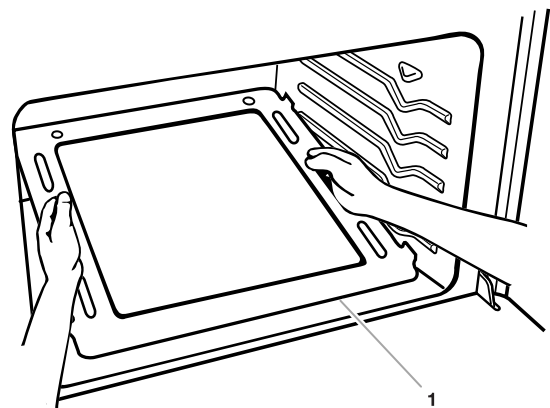
Removing the Oven Bottom

The oven bottom can be removed for standard cleaning of the oven.

Before cleaning, make sure the oven is completely cool.

To Remove:

1. Remove the oven racks.
2. Place fingers in the slots in the bottom panel.



1. Lip

3. Lift the rear of the panel up and back. The lip at the front of the panel should clear the front frame of the oven cavity.
4. Lift the bottom up and out.

To Replace:

Reverse the steps above.

TROUBLESHOOTING

Try the solutions suggested here first in order to avoid the cost of an unnecessary service call.

Nothing will operate

- **Is the power outlet properly wired and polarized?**
Try another outlet to check for proper wiring and polarity.
 - **Is the power supply cord unplugged?**
Plug into a properly grounded 3 prong outlet.
 - **Has a household fuse been blown or has the circuit breaker been tripped?**
Replace the fuse or reset the circuit.
 - **Is the main or regulator gas shutoff valve in the off position?**
See Installation Instructions.
 - **Is the range properly connected to the gas supply?**
Contact a trained repair specialist or see Installation Instructions.
-

Surface burners will not operate

- **Is this the first time the surface burners have been used?**
Turn on any one of the surface burner knobs to release air from the gas lines.
 - **Is the control knob set correctly?**
Push in knob before turning to a setting.
 - **Are the burner ports clogged?**
On sealed burner models, see "Sealed Surface Burners" section.
On open burner models, see "Surface Burners" section.
-

Surface burner flames are uneven, yellow and/or noisy

- **Are the burner ports clogged?**
On sealed burner models, see "Sealed Surface Burners" section.
On open burner models, see "Surface Burners" section.
 - **On models with caps, are the burner caps positioned properly?**
See "Sealed Surface Burners" section.
 - **Is the burner damaged?**
On models with caps, look for warped cap. Place cap, flat side-down, on a flat surface. If cap wobbles noticeably, it is warped. Place cap on different burner for further check of warping. Replace warped cap. Contact a trained repair specialist if the condition does not improve.
 - **Is the air/gas mixture correct?**
Contact a designated service technician to check the air/gas mixture, or see the Installation Instructions.
 - **Is propane gas being used?**
The appliance may have been converted improperly. Contact a trained repair specialist.
-

Surface burner makes popping noises

- **Is the burner wet?**
Let it dry.
-

Cookware not level on cooktop

- **Is the range level?**
Level the range. (See the Installation Instructions.)
 - **Is the proper cookware being used?**
Use cookware with a flat bottom. (See "Cookware" section.)
-

Excessive heat around cookware on cooktop

- **Is the cookware the proper size?**
Use cookware about the same size as the surface cooking area, element or surface burner. Cookware should not extend more than 1 in. (2.5 cm) outside the cooking area.
 - **Are the right side surface burners rotated toward each other?**
See "Burner Rotation" section.
-

Oven will not operate

- **Is the power outlet properly wired and polarized?**
Try another outlet to check for proper wiring and polarity.
 - **Is this the first time the oven has been used?**
Turn any one of the surface burner knobs on to release air from the gas lines.
 - **Is the electronic oven control set correctly?**
See "Electronic Oven Control" section.
 - **On some models, is the Oven Lockout set?**
See "Oven Lockout" section.
 - **Is the main or regulator gas shutoff in the off position?**
Contact a designated service technician or see the Installation Instructions.
-

Oven makes muffled ticking noise when in use

- This is normal and occurs when the oven burner cycles on and off to hold the set oven temperature.
-

Oven burner flames are uneven, yellow, or noisy

- **Is propane gas being used?**
The appliance may have been converted improperly. Contact a trained repair specialist.
 - **Is the air/gas mixture correct?**
Contact a designated service technician to check the air/gas mixture or see the Installation Instructions.
-

Oven temperature too high or too low

- **Does the oven temperature calibration need adjustment?**
See "Oven Temperature Control" section.
-

Display shows messages

- **Is the display showing "PF"?**
There has been a power failure. Touch OFF/CANCEL to clear the display. Reset the clock, if needed. See "Clock" section.
 - **Is the display showing "F" followed by a number?**
Touch OFF/CANCEL to clear the display. If an "F" code appears again, contact a trained repair specialist.
 - **Has a delay start been set?**
See "Timed Cooking" section.
-

Cooktop cooking results not what expected

- **Is the proper cookware being used?**
See "Cookware" section.
- **Is the control knob set to the proper heat level?**
See "Cooktop Controls" section.

Baking results not what expected

- **Was the oven preheated?**
Wait for oven to preheat before placing food in oven.
- **Are the racks positioned properly?**
See "Positioning Racks and Bakeware" section.
- **Is there proper air circulation around bakeware?**
See "Positioning Racks and Bakeware" section.
- **Is the batter evenly distributed in the pan?**
Check to make sure batter is level in the pan.
- **Is the appliance level?**
Level the appliance. See the Installation Instructions.
- **Are baked items too brown on the bottom?**
Decrease oven temperature 10°F to 30°F (5°C to 15°C).
- **Are crust edges browning early?**
Use aluminum foil to cover the edge of the crust.

Slow baking or roasting

- **Was the oven preheated?**
Wait for oven to preheat before placing food in oven.
- **Is there proper air circulation around bakeware?**
See "Positioning Racks and Bakeware" section.
- **Is the proper length of time being used?**
Increase baking or roasting time.
- **Is the proper temperature set?**
Increase temperature 25°F (15°C).
- **Has the oven door been opened while cooking?**
Oven peeking releases oven heat and can result in longer cooking times.

Broiler burner fails to light

- **Is the ignition system broken?**
Contact a designated service technician to replace it.
- **Has a household fuse been blown or has the circuit breaker been tripped?**
Replace the fuse or reset the circuit.

ASSISTANCE OR SERVICE

Before calling for assistance or service, please check "Troubleshooting." It may save you the cost of a service call. If you still need help, follow the instructions below.

When calling, please know the purchase date and the complete model and serial number of your appliance. This information will help us to better respond to your request.

If you need replacement parts

If you need to order replacement parts, we recommend that you only use FSP® replacement parts. FSP® replacement parts will fit right and work right because they are made with the same precision used to build every new ESTATE® appliance.

To locate FSP® replacement parts in your area, call our Customer Interaction Center telephone number or your nearest designated ESTATE® service center.

In the U.S.A.

Call the Whirlpool Customer Interaction Center toll free: **1-800-253-1301**.

Our consultants provide assistance with:

- Features and specifications on our full line of appliances.
- Installation information.
- Use and maintenance procedures.
- Accessory and repair parts sales.
- Specialized customer assistance (Spanish speaking, hearing impaired, limited vision, etc.).
- Referrals to local dealers, repair parts distributors, and service companies. Whirlpool designated service technicians are trained to fulfill the product warranty and provide after-warranty service, anywhere in the United States.

To locate the Whirlpool designated service company in your area, you can also look in your telephone directory Yellow Pages.

For further assistance

If you need further assistance, you can write to Whirlpool Corporation with any questions or concerns at:

Estate Brand Home Appliances
Customer Interaction Center
553 Benson Road
Benton Harbor, MI 49022-2692

Please include a daytime phone number in your correspondence.

ESTATE® GAS COOKTOP AND RANGE WARRANTY

ONE-YEAR FULL WARRANTY

For one year from the date of purchase, when this appliance is operated and maintained according to instructions attached to or furnished with the product, Whirlpool Corporation will pay for FSP® replacement parts and repair labor to correct defects in materials or workmanship. Service must be provided by a Whirlpool Corporation designated service company.

SECOND THROUGH FIFTH YEAR LIMITED WARRANTY ON GAS RANGES AND COOKTOPS

On gas ranges and gas cooktops, in the second through fifth years from the date of purchase, when this appliance is operated and maintained according to instructions attached to or furnished with the product, Whirlpool Corporation will pay for FSP® replacement parts for any gas burner to correct defects in materials or workmanship.

Whirlpool Corporation will not pay for:

1. Service calls to correct the installation of your appliance, to instruct you how to use your appliance, to replace house fuses or correct house wiring, or to replace owner-accessible light bulbs.
 2. Repairs when your appliance is used in other than normal, single-family household use.
 3. Pickup and delivery. Your appliance is designed to be repaired in the home.
 4. Damage resulting from accident, alteration, misuse, abuse, fire, flood, improper installation, acts of God or use of products not approved by Whirlpool Corporation.
 5. Repairs to parts or systems resulting from unauthorized modifications made to the appliance.
 6. Replacement parts or repair labor costs for units operated outside the United States.
 7. Any labor costs during the limited warranty period.
-

WHIRLPOOL CORPORATION SHALL NOT BE LIABLE FOR INCIDENTAL OR CONSEQUENTIAL DAMAGES.

Some states do not allow the exclusion or limitation of incidental or consequential damages, so this exclusion or limitation may not apply to you. This warranty gives you specific legal rights and you may also have other rights which may vary from state to state.

Outside the 50 United States, this warranty does not apply. Contact your authorized Whirlpool dealer to determine if another warranty applies.

If you need service, first see the "Troubleshooting" section of this book. After checking "Troubleshooting," additional help can be found by checking the "Assistance or Service" section or by calling the Whirlpool Customer Interaction Center, **1-800-253-1301** (toll-free), from anywhere in the U.S.A. 5/00

Keep this book and your sales slip together for future reference. You must provide proof of purchase or installation date for in-warranty service.

Write down the following information about your appliance to better help you obtain assistance or service if you ever need it. You will need to know your complete model number and serial number. You can find this information on the model and serial number label/plate, located on your appliance as shown in the "Parts and Features" section.

Dealer name _____
Address _____
Phone number _____
Model number _____
Serial number _____
Purchase date _____

SEGURIDAD DE LA COCINA

Su seguridad y la seguridad de los demás es muy importante.

Hemos incluido muchos mensajes importantes de seguridad en este manual y en su electrodoméstico. Lea y obedezca siempre todos los mensajes de seguridad.



Este es el símbolo de advertencia de seguridad.

Este símbolo le llama la atención sobre peligros potenciales que pueden ocasionar la muerte o una lesión a usted y a los demás.

Todos los mensajes de seguridad irán a continuación del símbolo de advertencia de seguridad y de la palabra "PELIGRO" o "ADVERTENCIA". Estas palabras significan:

! PELIGRO

Si no sigue las instrucciones de inmediato, usted puede morir o sufrir una lesión grave.

! ADVERTENCIA

Si no sigue las instrucciones, usted puede morir o sufrir una lesión grave.

Todos los mensajes de seguridad le dirán el peligro potencial, le dirán cómo reducir las posibilidades de sufrir una lesión y lo que puede suceder si no se siguen las instrucciones.

ADVERTENCIA: Para su seguridad, la información en este manual debe ser observada para minimizar el riesgo de incendio o explosión, o para prevenir daños a propiedades, heridas o la muerte.

- No almacene o use gasolina u otros líquidos y vapores inflamables cerca de este u otro aparato electrodoméstico.
- **PASOS QUE USTED DEBE SEGUIR SI HUELE A GAS:**
 - No trate encender ningún aparato electrodoméstico.
 - No toque ningún enchufe eléctrico.
 - No use ningún teléfono en su casa o edificio.
 - Llame inmediatamente a su proveedor de gas desde el teléfono de un vecino.
Siga las instrucciones de su proveedor de gas.
 - Si usted no puede comunicarse con su proveedor de gas, llame al departamento de bomberos.
- La instalación y el servicio deben ser efectuados por un instalador calificado, una agencia de servicio o por el proveedor de gas.

La California Safe Drinking Water and Toxic Enforcement Act (La ley de la protección del agua potable y la eliminación de sustancias tóxicas de California) exige que el gobernador de California publique una lista de aquellas sustancias identificadas por el estado de California como causantes de cáncer, defectos congénitos o algún otro tipo de daños en la función reproductora y exige a los comerciantes que adviertan de los posibles riesgos de exposición a tales sustancias.

ADVERTENCIA: Este producto contiene una sustancia química identificada por el estado de California como causante de cáncer, defectos congénitos o algún otro tipo de daños en la función reproductora.

Este electrodoméstico puede producir una exposición de bajo nivel a alguna de las sustancias enumeradas, incluyendo el benceno, formaldehído, monóxido de carbono, tolueno y hollín.

El Soporte antivuelco

La estufa no se volteará durante el uso normal. Sin embargo, si usted aplica mucha fuerza o peso a la puerta abierta sin haber fijado adecuadamente el soporte antivuelco, la estufa puede voltearse.



⚠️ ADVERTENCIA

Peligro de Vuelco

Un niño o un adulto puede volcar accidentalmente la estufa y resultar muerto.

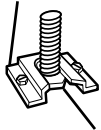
Conecte el soporte anti-vuelco a la pata trasera de la estufa.

Si traslada de lugar la estufa, vuelva a conectar el soporte anti-vuelco.

Consulte las instrucciones de instalación para más detalles.

No seguir estas instrucciones puede ocasionar la muerte o quemaduras graves en niños y adultos.

El soporte anti-vuelco



La pata trasera

Asegúrese de que el soporte anti-vuelco haya sido instalado:

- Deslice la estufa hacia adelante.
- Verifique que el soporte anti-vuelco esté bien asegurado al piso.
- Deslice la estufa para colocarla de nuevo en su lugar asegurándose de que la pata trasera quede debajo del soporte anti-vuelco.

INSTRUCCIONES IMPORTANTES DE SEGURIDAD

ADVERTENCIA: Para reducir el riesgo de incendio, electrocución, lesiones a personas o daños al usar la cocina de gas, siga precauciones básicas, incluyendo las siguientes:

■ **ADVERTENCIA:** PARA REDUCIR EL RIESGO DE VOLTEO DE LA COCINA DE GAS, ÉSTA DEBE ASEGURARSE EN EL PISO MEDIANTE LA INSTALACIÓN DE DISPOSITIVOS DE ANTI-VUELCO. PARA VERIFICAR SI LOS DISPOSITIVOS ESTÁN INSTALADOS ADECUADAMENTE, DESLICE LA COCINA DE GAS HACIA ADELANTE, CERCÍOARSE QUE EL SOPORTE ANTI-VUELCO ESTÉ BIEN FIJO EN EL PISO Y DESLICE LA COCINA DE GAS HACIA ATRÁS DE MANERA QUE LA PATA TRASERA DE LA COCINA DE GAS QUEDE FIJA DE BAJO DEL SOPORTE DE ANTI-VUELCO.

■ **AVISO:** No almacene artículos que interesen a los niños en los armarios que están encima de una cocina de gas o en el respaldo de protección de una cocina de gas - al trepar los niños encima de la cocina para alcanzar algún objeto, podrían lastimarse seriamente.

■ **Instalación Apropiaada** – Instalar la cocina de gas debe hacer la conexión eléctrica a tierra de acuerdo con las normas locales o, en ausencia de normas locales, con el *Código Eléctrico Nacional* (National Electrical Code), ANSI/NFPA 70. En Canadá, la cocina de gas debe tener su conexión eléctrica a tierra de conformidad con el Código Eléctrico Canadiense. Cercíórese que la instalación y puesta a tierra de la cocina de gas sean efectuadas adecuadamente por un técnico competente.

■ Esta cocina de gas está equipada con un enchufe de tres puntas con contacto a tierra para su protección contra riesgo de electrocución y debería enchufarse directamente a un tomacorriente que tiene conexión a tierra. No corte ni quite la punta para conexión a tierra de este enchufe.

■ Desconecte la energía eléctrica antes de hacer una revisión al aparato electrodoméstico.

■ Nunca use la cocina de gas como calefacción del cuarto.

■ El mal uso de las puertas o gavetas del aparato electrodoméstico, tales como pisar, recostarse o sentarse en las puertas o gavetas, puede ocasionar heridas.

■ **Mantenimiento** – Mantenga el área de la cocina de gas despejada y libre de materiales combustibles, gasolina y otros vapores y líquidos inflamables.

■ **Almacenaje dentro o encima de la cocina de gas** – No se debe almacenar materiales inflamables en el horno o cerca de las unidades que están en la superficie.

■ El tamaño de la llama del quemador superior debe ajustarse de manera que no se extienda más allá de los bordes del utensilio de cocina.

■ **Para cocinas de gas de limpieza automática** –

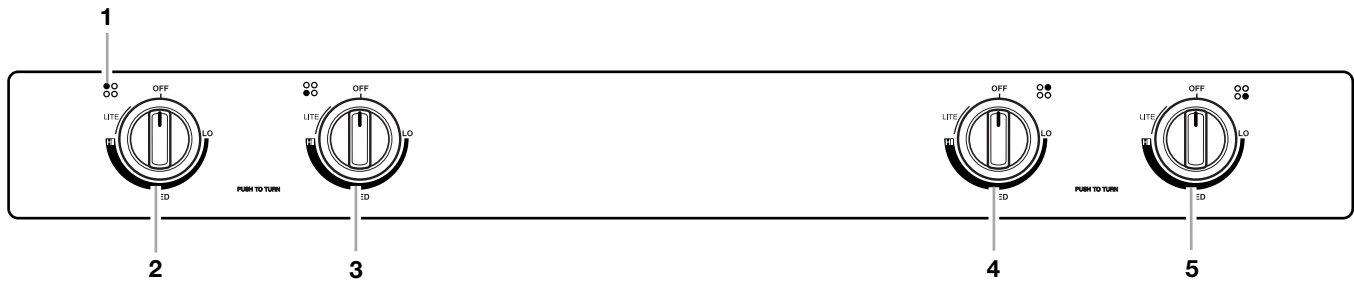
■ Antes de efectuar la limpieza automática del horno – quite la charola para asar y otros utensilios. Limpie con un trapo húmedo todo derrame excesivo antes de iniciar el ciclo de autolimpieza.

GUARDE ESTAS INSTRUCCIONES

PIEZAS Y CARACTERÍSTICAS

Este manual abarca varios modelos distintos. La estufa que usted ha adquirido puede tener algunas o todas las piezas que se enumeran. Las ubicaciones y aspecto de las características que aquí se ilustran quizás no coincidan con su modelo.

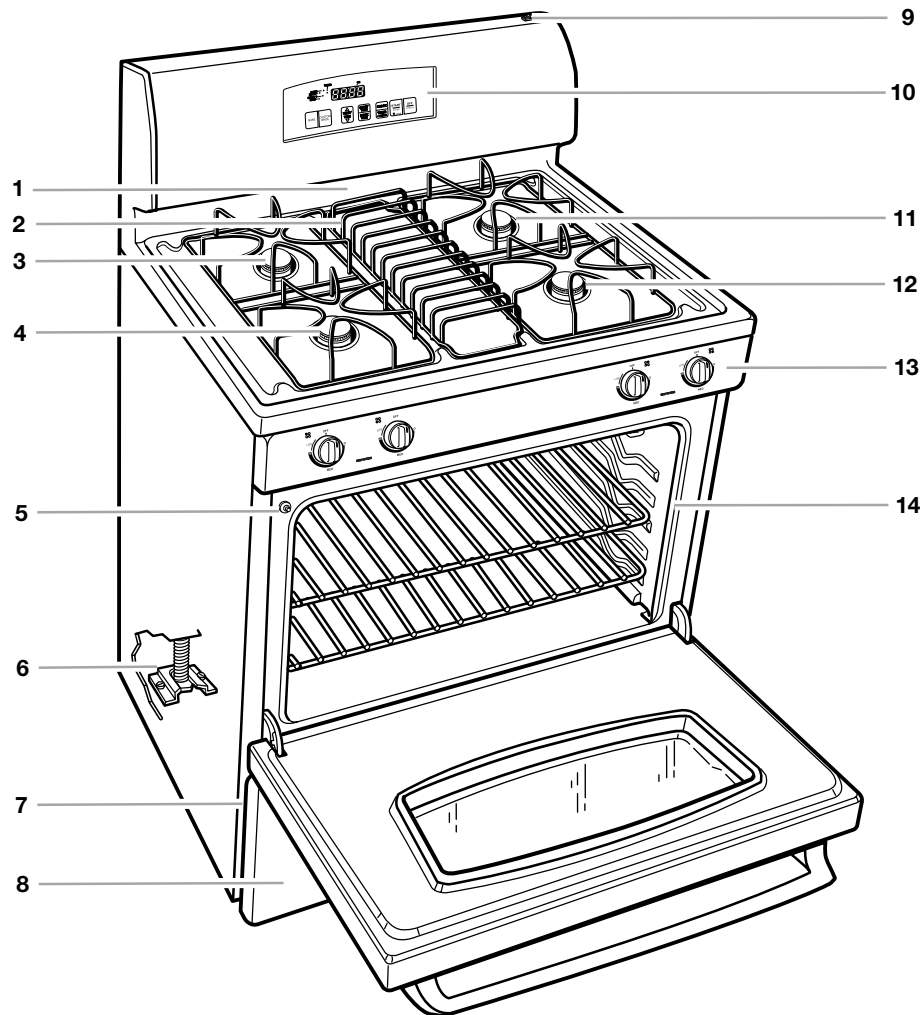
Tablero de control de la superficie de cocción



- 1. Indicador del quemador exterior
- 2. Perilla de control del quemador izquierdo trasero
- 3. Perilla de control del quemador izquierdo delantero

- 4. Perilla de control del quemador derecho trasero
- 5. Perilla de control del quemador derecho delantero

Estufa



- 1. Ducto de ventilación del horno
- 2. Parrilla central (en algunos modelos)
- 3. Quemador exterior izquierdo trasero y parrilla
- 4. Quemador exterior izquierdo delantero y parrilla
- 5. Interruptor automático de luz del horno

- 6. Soporte de anti-vuelco
- 7. Placa del número de modelo y de serie (detrás del lado izquierdo de la puerta del asador)
- 8. Puerta del asador
- 9. Interruptor manual de luz del horno

- 10. Control electrónico del horno
- 11. Quemador exterior derecho trasero y parrilla
- 12. Quemador exterior derecho delantero y parrilla
- 13. Tablero de control de la superficie de cocción
- 14. Junta de la puerta

USO DE LA SUPERFICIE DE COCCIÓN

Controles de la superficie de cocción

⚠ ADVERTENCIA



Peligro de Incendio

No permita que la llama del quemador extienda más allá que la orilla de la cacerola.

Apague todas las perillas de los controles cuando no esté cocinando.

No seguir estas instrucciones puede ocasionar la muerte o incendio.

Los encendedores eléctricos encienden automáticamente los quemadores exteriores al girar las perillas de control hacia LITE (Encendido).

Antes de fijar una perilla de control, coloque el utensilio de cocina lleno en la parrilla. No ponga a funcionar un quemador con un utensilio de cocina vacío o si la parrilla está libre.

Para fijar la temperatura del quemador:

- Oprima y gire la perilla a la izquierda hacia LITE.
Los cuatro quemadores exteriores harán un chasquido pero sólo el quemador cuya perilla de control esté en LITE producirá una llama.
- Gire la perilla hacia cualquier posición entre HIGH (alto) y LOW (bajo). El chasquido parará. Use el cuadro como guía para fijar los niveles de calor.

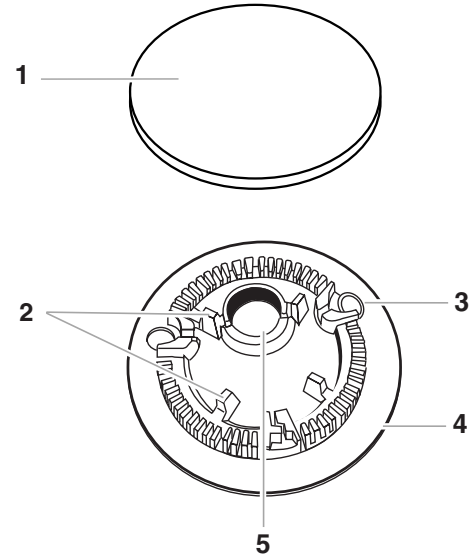
AJUSTE	USO RECOMENDADO PARA
LITE (encendido)	<ul style="list-style-type: none"> Encender el quemador.
HI (alto)	<ul style="list-style-type: none"> Comenzar a cocinar los alimentos. Hacer hervir un líquido.
MED (medio)	<ul style="list-style-type: none"> Mantener un hervor rápido. Dorar rápidamente los alimentos. Freír o sofreír los alimentos. Preparar sopas y salsas. Guisar o cocer al vapor los alimentos.
LO (bajo)	<ul style="list-style-type: none"> Mantener los alimentos calientes. Derretir chocolate o manteca. Dejar hervir a fuego lento.

Cortes de corriente

En el caso de un corte de corriente prolongado, se pueden encender los quemadores exteriores manualmente. Sostenga un cerillo encendido cerca del quemador y gire la perilla a la izquierda hacia LITE. Después de que el quemador se encienda, gire la perilla al ajuste deseado.

RECUERDE: Cuando se esté usando la estufa o (en algunos modelos) durante el ciclo de auto limpieza, toda la superficie de cocción se calienta.

Quemadores exteriores sellados

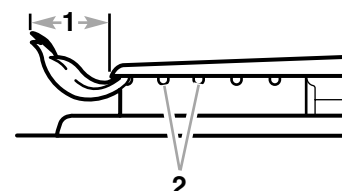


- Tapa del quemador
- Espigas de alineación
- Encendedor
- Quemador
- Abertura del tubo de gas

IMPORTANTE: No obstruya el flujo de aire de ventilación y combustión alrededor de los bordes de la parrilla del quemador.

Tapa del quemador: Mantenga siempre la tapa del quemador en su lugar cuando use un quemador exterior. Una tapa de quemador limpia ayudará a prevenir un encendido inadecuado y una llama desigual. Limpie siempre la tapa del quemador después de un derrame y como rutina quite las tapas y límpielas de acuerdo con la sección "Limpieza general".

Abertura del tubo de gas: El gas debe fluir con libertad a través de la abertura del tubo de gas para que el quemador se encienda adecuadamente. Mantenga esta área libre de suciedad y no permita que derrames, alimentos, productos de limpieza o cualquier otro material se introduzca en la abertura del tubo de gas. Use siempre la tapa del quemador para protegerla de derrames.



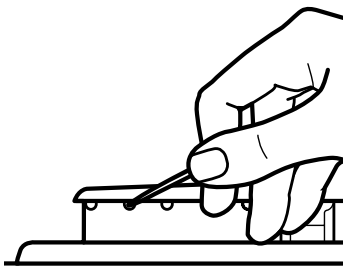
- 1-1½ pulg. (25-38 mm)
- Orificios del quemador

Orificios del quemador: Verifique de vez en cuando que las llamas del quemador sean del tamaño y forma apropiada tal como se ilustra a continuación. Una buena llama es de color azul, no amarillo. Mantenga esta área libre de suciedad y no permita que los derrames, alimentos, productos de limpieza o cualquier otro material se introduzca en los orificios del quemador.

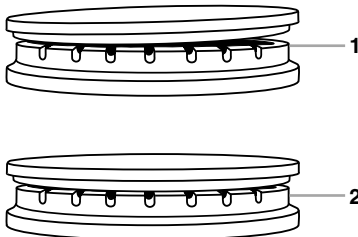
Para limpiar:

IMPORTANTE: Antes de limpiar, asegúrese de que todos los controles estén apagados y que el horno y la superficie de cocción estén fríos. No use limpiadores de horno, blanqueador o productos para quitar óxido.

1. Quite la tapa del quemador de la base del mismo y limpie de acuerdo con la sección "Limpieza general".
2. Limpie la abertura del tubo de gas con un paño húmedo.
3. Limpie los orificios obstruidos del quemador con un afilero recto tal como se ilustra. No agrande ni distorsione el orificio. No use palillos de dientes de madera. Si el quemador necesita ser regulado, llame a un técnico competente para darle servicio.



4. Vuelva a colocar la tapa del quemador, asegurándose de que las espigas de alineación estén debidamente alineadas con la tapa del quemador.



1. Incorrecto
2. Correcto

5. Encienda el quemador. Si el quemador no se enciende, verifique la alineación de la tapa. Si el quemador todavía no se enciende, no intente reparar el quemador sellado usted mismo; póngase en contacto con un especialista en reparación calificado.

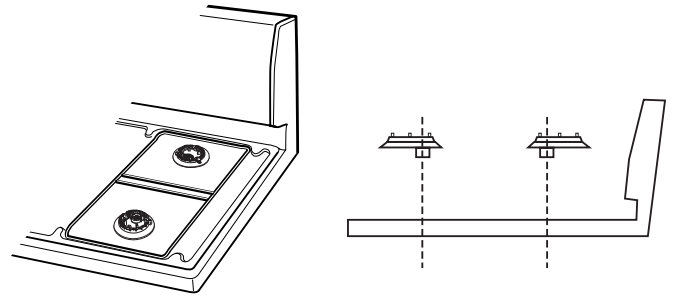
Rotación de los quemadores

Los quemadores del lado derecho pueden girar 180° para reducir la distancia entre los quemadores delanteros y traseros. Esto permite una mejor distribución del calor al usar utensilios rectangulares o planchas.

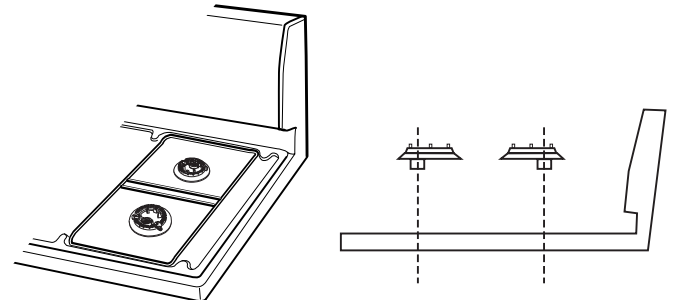
Para rotar los quemadores:

1. Asegúrese de que los quemadores estén fríos antes de comenzar la rotación.
2. Retire las parrillas del lado derecho y las tapas de los quemadores.

3. Levante los quemadores de la superficie de cocción, tal como se ilustra.



4. Gire los quemadores 180°, tal como se ilustra.



5. Vuelva a colocar los quemadores con el orificio grande sobre la abertura del tubo de gas, y el orificio pequeño sobre el encendedor. Vea la sección "Quemadores exteriores sellados" para obtener la descripción de las partes del quemador. Oprima el quemador hacia abajo y alinéelo con la superficie de cocción.
6. Vuelva a colocar las tapas del quemador y las parrillas en su lugar.

Enlatado casero

Al preparar enlatados durante períodos prolongados, alterne el uso de las áreas de cocción exteriores, elementos o quemadores exteriores entre cada lote. Esto da tiempo para que las áreas usadas recientemente se enfríen.

- Centre el envasador en la parrilla o el área o elemento de cocción exterior más grande. Los envasadores no deben extenderse más de 1 pulg. (2,5 cm) fuera del área de cocción.
- No coloque el envasador sobre dos áreas de cocción exteriores, elementos o quemadores exteriores a la vez.
- En modelos con cerámica vitrificada, use únicamente envasadores de fondo llano.
- En modelos con elementos en espiral, se recomienda la instalación de un equipo para envasar. De no instalarlo, la duración del elemento en espiral se acortará. Vea la sección "Asistencia o Servicio" para obtener las instrucciones de cómo pedirlo.
- Para mayor información, póngase en contacto con la Oficina de Extensión del Departamento de Agricultura del Gobierno de los EE.UU. En Canadá, póngase en contacto con la oficina de Agricultura Canadá. Las compañías que fabrican productos para enlatado casero también pueden ayudarle.

Utensilios de cocina

IMPORTANTE: Nunca deje utensilios de cocina vacíos encima de un área de cocción exterior, elemento o quemador exterior caliente.

Los utensilios de cocina ideales deben tener un fondo plano, lados rectos, una tapa que encaje bien y el material debe ser de un espesor mediano a grueso.

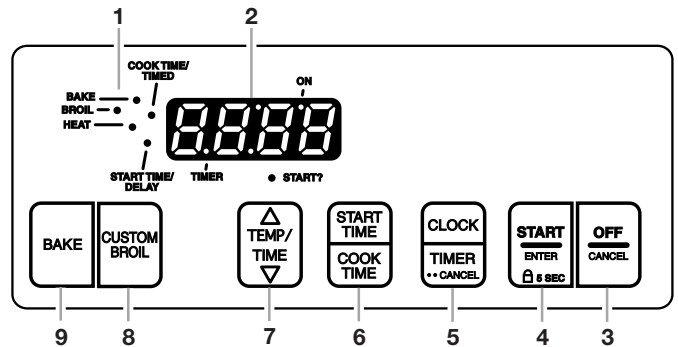
Las superficies ásperas pueden arañar la superficie de cocción. El aluminio y el cobre pueden emplearse como núcleo o base en los utensilios de cocina. Sin embargo, al ser usados como base, pueden dejar marcas permanentes en la superficie de cocción o las parrillas.

El material de los utensilios de cocina es un factor que repercute en la rapidez y uniformidad en que se transmite el calor, lo cual afecta los resultados de cocción. Un acabado antiadherente tiene las mismas características de su material base. Por ejemplo, utensilios de aluminio con un acabado antiadherente tendrán las propiedades del aluminio.

Use el siguiente cuadro como guía respecto a las características del material de los utensilios de cocina.

UTENSILIOS DE COCINA	CARACTERÍSTICAS
Aluminio	<ul style="list-style-type: none"> Calienta rápida y uniformemente. Adecuado para todo tipo de cocción. Espesor mediano o grueso es mejor para la mayoría de tareas culinarias.
Hierro fundido	<ul style="list-style-type: none"> Calienta lenta y uniformemente. Bueno para dorar y freír. Mantiene el calor para una cocción lenta.
Cerámica o cerámica vitrificada	<ul style="list-style-type: none"> Siga las instrucciones del fabricante. Calienta lentamente pero no uniformemente. Resultados ideales en ajustes de fuego bajo a mediano.
Cobre	<ul style="list-style-type: none"> Calienta muy rápidamente y uniformemente.
Loza de barro	<ul style="list-style-type: none"> Siga las instrucciones del fabricante. Use en ajustes de calor bajo.
Acero o hierro fundido esmaltado de porcelana	<ul style="list-style-type: none"> Vea acero inoxidable o hierro fundido.
Acero inoxidable	<ul style="list-style-type: none"> Calienta rápidamente pero no uniformemente. Un centro o base de aluminio o cobre sobre el acero inoxidable proporciona un calor uniforme.

CONTROL ELECTRÓNICO DEL HORNO



- Luces indicadoras
- Pantalla electrónica
- Botón de apagado/anulado
- Botón de inicio/ingreso
- Botón de reloj/temporizador
- Botón de tiempo de comienzo/tiempo de cocción (en algunos modelos)
- Botón de temperatura/tiempo
- Botón del asado al gusto
- Botón de hornear

Pantalla

Al conectar la electricidad al electrodoméstico por primera vez, aparecerá en la pantalla "PF". Presione OFF para cancelarlo.

Cuando en cualquier otra ocasión aparece "PF" significa que ha ocurrido un corte de electricidad. Si es necesario presione "OFF" para volver a poner la hora en el reloj.

Cuando el horno está en uso, la pantalla mostrará el tiempo de precalentamiento y el ajuste de la temperatura del horno.

Cuando el horno no está en uso, la pantalla mostrará la hora del día.

Cuando use COOK TIME (tiempo de cocción) (en algunos modelos) la pantalla mostrará horas y minutos o minutos y segundos.

Luces indicadoras del horno

Las luces indicadoras están ubicadas a la izquierda, por debajo y dentro de la pantalla. Las luces indicadoras se encienden o centellean cuando el horno está en uno de los siguientes modos: BAKE (Hornear), BROIL (Asar), HEAT (Calentar), START? (Inicio), ON (Encendido), TIMER (Temporizador), COOK TIME/TIMED (Tiempo de cocción/Cocción programada) (en algunos modelos) y START TIME/DELAY (Tiempo de inicio/retraso) (en algunos modelos).

Start/Enter (Inicio/ingreso)

El botón START/ENTER pone en marcha cualquier función del horno a excepción del temporizador. Si no se presiona dentro de los 5 segundos después de haber presionado un botón, la luz indicadora "START?" centelleará como un recordatorio. En algunos modelos "START?" aparecerá en la pantalla.

Si no se presiona dentro de 4 a 5 minutos (dependiendo de su modelo) después de haber oprimido un botón, la pantalla del horno mostrará la hora del día y la función programada quedará anulada.

Off/Cancel (Apagado/anulado)

El botón OFF/CANCEL detiene cualquier función del horno a excepción del reloj, temporizador y el bloqueo de control.

Reloj

Éste es un reloj de 12 horas y no muestra a.m. or p.m.

Para poner la hora:

Antes de poner el reloj a la hora, asegúrese de que el horno y el temporizador estén desactivados.

1. Presione CLOCK (Reloj).
 2. Presione los botones con flechas “hacia arriba” o “hacia abajo” para poner la hora del día.
 3. Presione CLOCK o START (Inicio).
-

Temporizador

El temporizador puede ser fijado en horas o minutos hasta 12 horas and 59 minutos, y hace la cuenta regresiva del tiempo fijado ya sea en horas y minutos, o minutos y segundos. El temporizador no pone el horno en marcha ni lo detiene.

Para fijar:

1. Presione TIMER (temporizador).
La luz indicadora del temporizador se encenderá.
2. Presione los botones con las flechas “hacia arriba” o “hacia abajo” para fijar la duración del tiempo de cocción.
3. Presione START/ENTER (Inicio/ingreso).
Cuando el temporizador haya terminado la cuenta regresiva, se escucharán cuatro señales audibles de un segundo.
Para que aparezca en la pantalla la hora del día en cualquier momento durante el tiempo programado de cocción, presione CLOCK una vez.
4. Presione TIMER dos veces en cualquier momento del funcionamiento del temporizador para anularlo.

Puede volver a fijar el tiempo durante la cuenta regresiva repitiendo los pasos arriba mencionados.

Bloqueo de Control

El bloqueo de control cierra los botones del panel de control para prevenir el uso accidental del horno.

Cuando el control está bloqueado, sólo funcionarán los botones de CLOCK (reloj) y TIMER (temporizador).

Para bloquear y desbloquear el control: Antes de bloquear, asegúrese de que el horno y el temporizador estén apagados. Presione y sostenga START/ENTER (Inicio/ingreso) por 5 segundos. Se escuchará una sola señal audible y “LOC” y “LOC'D” (en algunos modelos) aparecerán en la pantalla. “LOC” (bloqueo) también aparecerá en la pantalla si se presiona cualquier botón del control cuando éste está bloqueado. Para desbloquear repita el procedimiento, y “LOC” y “LOC'D” (en algunos modelos) desaparecerán de la pantalla.

Control de temperatura del horno

IMPORTANTE: No use un termómetro para medir la temperatura del horno porque el abrir la puerta del horno y el cambio de ciclos del elemento o quemador puede dar lecturas incorrectas.

El horno proporciona temperaturas precisas. Sin embargo, quizás cocine más rápido o más lento que su horno anterior, de modo que se puede regular la calibración de la temperatura. Se puede cambiar a Fahrenheit o Centígrados.

Un signo de menos significa que el horno estará más frío en la proporción indicada por la cifra que aparece en la pantalla. Use el siguiente cuadro a manera de guía.

AJUSTE °F (AJUSTE °C)	COCINA LOS ALIMENTOS
10°F (5°C)	...un poco más
20°F (10°C)	...moderadamente más
30°F (15°C)	...mucho más
-10°F (-5°C)	...un poco menos
-20°F (-10°C)	...moderadamente menos
-30°F (-15°C)	...mucho menos

Para regular la calibración de temperatura del horno:

1. Presione y sostenga BAKE 5 segundos hasta que la pantalla del horno muestre la calibración actual, por ejemplo, “00.”
 2. Presione el botón TEMP con la flecha “hacia arriba” o “hacia abajo” para aumentar o disminuir la temperatura en proporciones de 10°F (5°C). El ajuste debe fijarse entre 30°F (15°C) y -30°F (-15°C).
 3. Presione START/ENTER (Inicio/ingreso).
-

USO DEL HORNO

Los olores son normales cuando la estufa es nueva. Esto sucede la primera vez que se usa el horno o cuando éste tiene suciedad pesada.

IMPORTANTE: La salud de algunas aves es sumamente sensible a los gases emanados. La exposición a los gases puede ocasionar la muerte de ciertas aves. Mude siempre las aves a otro cuarto cerrado y bien ventilado.

Papel de aluminio

IMPORTANTE: No forre el fondo del horno con ningún tipo de papel de aluminio, revestimiento o utensilio de cocina ya que dañaría permanentemente el acabado del fondo del horno.

- No obstruya ni tape los conductos de ventilación inferiores del horno.
 - No cubra toda la parrilla con papel de aluminio, ya que para lograr óptimos resultados de cocción el aire debe circular con libertad.
 - Para recoger los derrames, coloque papel de aluminio en la parrilla que está debajo del recipiente de hornear. Asegúrese de que el forro sea por lo menos una pulg. (2,5 cm) más grande que el recipiente de hornear y que los bordes estén doblados hacia arriba.
-

Posición de las parrillas y los utensilios para hornear

IMPORTANTE: Nunca coloque alimentos o utensilios para hornear directamente en la puerta o en el fondo del horno ya que dañará permanentemente el acabado de porcelana.

PARRILLAS

Ubique las parrillas antes de encender el horno. No retire las parrillas con los utensilios para hornear sobre ellos. Cerciórese de que las parrillas estén niveladas. Para un mejor resultado, hornee sobre una parrilla. Coloque la parrilla de tal manera que la parte más alta del alimento a hornear quede en el centro del horno. Para mover una parrilla, júlela hasta la posición de tope, levante el borde delantero y luego sáquela.

ALIMENTO	POSICIÓN DE LA PARRILLA
Pays congelados, asados grandes, pavos, pasteles de ángel	1 ó 2
Roscas Bundt, la mayoría de panes rápidos, panes de levadura, guisados, carnes	2
Galletas, pastelillos, panecillos, pasteles y pays no congelados	2 ó 3

UTENSILIOS PARA HORNEAR

Para la cocción uniforme, el aire caliente debe poder circular. Deje 2 pulg. (5 cm) de espacio alrededor del utensilio para hornear y las paredes del horno. Use el siguiente cuadro como guía.

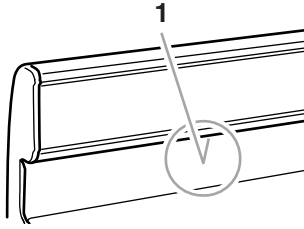
NÚMERO DE CACEROLA(S)	UBICACIÓN EN LA PARRILLA
1	Centro de la parrilla.
2	Lado a lado o ligeramente en zigzag.
3 ó 4	En esquinas opuestas en cada parrilla. Cerciórese de que ningún utensilio para hornear esté directamente encima del otro.

Utensilios para hornear

El material de los utensilios para hornear afecta los resultados de cocción. Siga las recomendaciones del fabricante y emplee el tamaño de utensilio para hornear recomendado en la receta de cocina. Use el siguiente cuadro como guía.

UTENSILIO PARA HORNEAR/ RESULTADOS	RECOMENDACIONES
Aluminio de color claro <ul style="list-style-type: none"> ■ Cortezas doradas claras ■ Dorado uniforme 	<ul style="list-style-type: none"> ■ Use la temperatura y el tiempo recomendados en la receta.
Aluminio oscuro y otros utensilios para hornear con acabado oscuro, mate y/o antiadherente <ul style="list-style-type: none"> ■ Cortezas bien doradas, crujientes 	<ul style="list-style-type: none"> ■ Puede necesitar reducir la temperatura para hornear 25°F (15°C). ■ Use el tiempo recomendado de horneado. ■ Para pays, panes y guisados, use la temperatura recomendada en la receta. ■ Coloque la parrilla en el centro del horno.
Moldes o bandejas para hornear termoaislados <ul style="list-style-type: none"> ■ Poco o nada de dorado en el fondo 	<ul style="list-style-type: none"> ■ Colóquelos en la 3ra posición inferior del horno. ■ Puede necesitar aumentar el tiempo de horneado.
Acero inoxidable <ul style="list-style-type: none"> ■ Cortezas doradas, claras ■ Dorado desigual 	<ul style="list-style-type: none"> ■ Puede necesitar aumentar el tiempo de horneado.
Cerámica de gres <ul style="list-style-type: none"> ■ Cortezas crujientes 	<ul style="list-style-type: none"> ■ Siga las instrucciones del fabricante.
Utensilios de vidrio resistente al horno, cerámica vitrificada o cerámica <ul style="list-style-type: none"> ■ Cortezas doradas, crujientes 	<ul style="list-style-type: none"> ■ Puede necesitar reducir la temperatura para hornear 25°F (15°C).

Ducto de ventilación del horno



1. Ducto de ventilación del horno

El ducto de ventilación del horno libera aire caliente y humedad del horno y no debe bloquearse ni taparse. El hacerlo dará lugar a una circulación de aire insatisfactoria, afectando los resultados de cocción y de limpieza. Nunca coloque objetos de plástico, papel u otros artículos que podrían derretirse o quemarse cerca del conducto de ventilación del horno.

Cómo hornear y asar

IMPORTANTE: Nunca encienda el quemador del horno durante un corte de electricidad. Nunca coloque ningún alimento o utensilio para cocinar directamente sobre la puerta o el fondo del horno. Cuando utilice el horno por primera vez, es necesario que gire cualquiera de los quemadores de la superficie para encenderlo; de esa manera se liberará el aire de las líneas de gas. Antes de hornear o asar, coloque las parrillas según la sección "Posición de las parrillas".

Para hornear o asar:

1. Presione BAKE (hornear).

Presione el botón TEMP con flechas "hacia arriba" o "hacia abajo" para ingresar una temperatura que no sea 350°F (177°C) en cantidades de 5°F (3°C). La escala del horneado puede fijarse entre 170°F y 500°F (77°C y 260°C).

2. Presione START/ENTER (Inicio/ingreso).

Después de este primer paso, puede cambiar la temperatura en cualquier momento que lo necesite, presionando el botón TEMP con flechas "hacia arriba" o "hacia abajo". No necesitará presionar nuevamente START/ENTER. Si está horneando o asando cuando el temporizador está haciendo la cuenta regresiva, podrá ver en la pantalla la temperatura fijada para el horneado/asado presionando por 5 segundos el botón BAKE (hornear).

3. Presione OFF/CANCEL (Apagado/anulación) cuando haya terminado.

Pre calentamiento

Luego de presionar START/ENTER, el horno comenzará un ciclo de pre calentamiento a tiempo prefijado. Se encenderán las luces indicadoras de HEAT (calor), BAKE (hornear), y ON (encendido). El control electrónico del horno seleccionará automáticamente el ciclo de pre calentamiento basándose en la temperatura seleccionada. El tiempo de acondicionamiento del ciclo no variará en el caso de que se vuelva a fijar la temperatura antes de que termine el ciclo. Cuando el ciclo de pre calentamiento termina y el horno está listo para usarse, se escuchará una señal audible por un (1) segundo, indicando que el ciclo de pre calentamiento ha terminado y se podrá ver en la pantalla la temperatura seleccionada.

La temperatura de pre calentamiento puede variar debido a varios factores, tales como la temperatura ambiente, y en momentos en que hay una alta demanda de electricidad en el hogar. Es normal que existan diferencias entre la temperatura indicada en la pantalla y la temperatura real del horno.

Cuando hornee alimentos con ingredientes a base de levaduras tales como levadura, polvo de hornear, bicarbonato de sodio y huevos, se recomienda esperar 10 minutos después que el tiempo de pre calentamiento haya terminado para empezar a hornear los alimentos.

Asado regular y asado al gusto

ASADOR

El asador está ubicado debajo de la puerta del horno. La charola y la rejilla del asador se deslizan hacia fuera, lo cual facilita el acceso a las mismas. Para asar siempre tenga las puertas del asador y del horno cerradas.

- No pise la puerta del asador ni ejerza peso sobre la misma cuando esté abierta.
- No pre caliente el asador antes de usarlo. Mantenga bien cerrada la puerta del asador cuando esté asando.
- No use la gaveta del asador para almacenaje.
- Use únicamente la charola y la rejilla del asador que vienen con el electrodoméstico. Éstas han sido diseñadas para drenar los jugos de la carne y evitar salpicaduras y humo.
- Para lograr un drenado adecuado, no forre la rejilla con papel de aluminio. Se puede forrar el fondo de la charola con papel de aluminio para facilitar la limpieza.
- Quite el exceso de grasa para reducir las salpicaduras. Corte la grasa restante de los bordes para evitar que se ondule.
- Jale la parrilla del horno hasta su posición de tope antes de dar vuelta o sacar los alimentos. Use tenazas para dar vuelta la carne a fin de evitar que se pierdan los jugos. Quizás no sea necesario dar vuelta los cortes delgados de pescado, aves o carne.
- Después de asar, saque la charola del horno al retirar los alimentos. Los goteos que queden en la charola se hornearán si se dejan en el horno caliente, dificultando aún más la limpieza.

Para un asado regular:

1. Abra la puerta del asador y deslice hacia fuera la charola y la rejilla para asar.
2. Coloque la charola y la rejilla del asador de modo que se pueda recoger la grasa en el fondo de la charola del asador.
3. Coloque los alimentos en la charola del asador. Luego coloque la charola sobre la parrilla del asador y cierre la puerta del asador.
4. Presione CUSTOM BROIL (Asado al gusto).
La luz indicadora de BROIL (Asado) se encenderá.
5. Presione START/ENTER.
Las luces indicadoras de ON (encendido) y de HEAT (calor) se encenderán. Se puede modificar el ajuste de la temperatura en cualquier etapa del ciclo de asado. Durante la etapa del asado en que el temporizador esté haciendo la cuenta regresiva, se puede ver la temperatura fijada para asar en la pantalla durante 5 segundos al presionar CUSTOM BROIL.
6. Presione OFF/CANCEL al terminar de asar.

Para un ASADO AL GUSTO:

El cambiar la temperatura durante el ciclo de asado al gusto permite el control más preciso de la cocción. Cuanto más baja sea la temperatura, más lenta será la cocción. Los cortes más gruesos y trozos de forma desigual de carne, pescado y aves podrán asarse mejor a temperaturas más bajas. Si los alimentos se están cocinando demasiado rápido, se puede bajar la temperatura al presionar el botón con flechas "hacia abajo" de TEMP.

1. Presione CUSTOM BROIL.
2. Presione los botones con flechas "hacia arriba" o "hacia abajo" de TEMP para fijar la temperatura entre 300°F (149°C) y 525°F (273°C).
3. Presione START/ENTER.
4. Presione OFF/CANCEL una vez que termine el ciclo de asado al gusto.

CUADRO PARA ASAR

Para obtener óptimos resultados, se debe girar la charola del asador en el momento en que se de vuelta los alimentos. Los tiempos indicados a continuación son únicamente pautas y quizás tengan que regularse según los alimentos y el gusto de la persona.

ALIMENTO	TIEMPO DE COCCIÓN	
	Minutos	
	LADO 1	LADO 2
Trozos de pollo, con hueso, Pechugas deshuesadas	15-17 11-13	15-17 11-13
Filetes de pescado de ½ - ¾ de pulg. (1,25-1,8 cm) de grosor	7-8	3-4
Salchichas alemanas	5-6	2-3
*Hamburguesas de carne molida de ¾ de pulg. (1,8 cm) de grosor, bien cocidas	11-13	6-7
Trozo de jamón, precocido de ½ pulg. (1,25 cm) de grosor	6-8	3-4
Chuletas de cordero de 1 pulg. (2,5 cm) de grosor	14-17	8-9
Chuletas de cerdo de 1 pulg. (2,5 cm) de grosor	19-21	9-10
Bistec de 1 pulg. (2,5 cm) de grosor, medio crudo, Término medio Bien cocido	10-12 12-14 16-17	5-6 6-7 8-9

*Coloque hasta 9 hamburguesas, separadas uniformemente, en la rejilla del asador.

Cocción temporizada (en algunos modelos)

⚠️ ADVERTENCIA

Peligro de Intoxicación Alimentaria

No deje sus alimentos en el horno por más de una hora antes o después de su cocción.

No seguir esta instrucción puede ocasionar intoxicación alimentaria o enfermedad.

El control electrónico MEALTIMER™ (en algunos modelos) permite fijar el encendido del horno para una hora determinada del día, cocinar durante un tiempo determinado, y/o un apagado automático. No se debe usar el inicio diferido para alimentos como panes y pasteles ya que no se hornearán muy bien.

Para fijar un tiempo de cocción (en algunos modelos):

1. Coloque las parrillas del horno donde sea necesario y acomode los alimentos en la parrilla apropiada. (Vea la sección "Posición de las parrillas y de los utensilios para hornear".)
2. Presione BAKE (hornear).
La luz indicadora de BAKE se encenderá.
3. Fije la temperatura (opcional).
Presione los botones con flechas "hacia arriba" o "hacia abajo" de TEMP para aumentar o disminuir la temperatura en proporciones de 5°F (3°C) desde el ajuste prefijado de 350°F (177°C).
4. Presione COOK TIME (tiempo de cocción).
La luz indicadora de COOK TIME se encenderá.
5. Fije el tiempo de cocción.
Presione los botones con flechas "hacia arriba" o "hacia abajo" hasta que el tiempo de cocción correcto aparezca en la pantalla.
6. Presione START/ENTER.
Los ajustes de temperatura o de tiempo pueden modificarse en cualquier momento después de este paso, al repetir los pasos 3 ó 5.

La pantalla mostrará la cuenta regresiva del horneado / asado en horas y minutos, o en minutos y segundos, dependiendo de la duración del tiempo de cocción.

El ajuste del control MEALTIMER puede anularse y apagar el horno en cualquier momento al presionar OFF/CANCEL.
7. Una vez terminado el ciclo del horneado / asado, el horno se apagará automáticamente y se oirán 4 señales audibles de un segundo.

Para fijar un tiempo de cocción con inicio diferido (en algunos modelos):

Antes de fijar el tiempo, asegúrese de que el reloj tenga la hora correcta del día. Vea la sección "Reloj."

1. Coloque las parrillas del horno donde se necesite y coloque los alimentos en la parrilla apropiada. (Vea la sección "Posición de las parrillas y de los utensilios para hornear".)
2. Presione BAKE.
La luz indicadora de BAKE se encenderá.
3. Fije la temperatura (opcional).
Presione los botones con flechas "hacia arriba" o "hacia abajo" de TEMP para aumentar o disminuir la temperatura en proporciones de 5°F (3°C) desde el ajuste prefijado de 350°F (177°C).
4. Presione COOK TIME.
La luz indicadora de COOK TIME se encenderá.
5. Fije el tiempo de cocción.
Presione los botones con flechas "hacia arriba" o "hacia abajo" hasta que el tiempo de cocción correcto aparezca en la pantalla.
6. Presione START TIME (tiempo de inicio).
La luz indicadora de START TIME/DELAY (tiempo de inicio/diferido) se encenderá.
7. Fije el tiempo de inicio.
Presione los botones con flechas "hacia arriba" o "hacia abajo" de TIME hasta que el tiempo de inicio correcto aparezca en la pantalla.
8. Presione START/ENTER.
Los ajustes de temperatura o de tiempo pueden modificarse en cualquier momento después de este paso al repetir los pasos 3 al 8.
El ajuste de control del tiempo de cocción con inicio diferido de MEALTIMER puede anularse y el horno puede apagarse en cualquier momento al presionar OFF/CANCEL.
9. Una vez que llegue al tiempo de inicio, se oirá una señal audible de un segundo. La pantalla mostrará la cuenta regresiva del horneado / asado en horas y minutos, o en minutos y segundos, dependiendo de la duración del tiempo de cocción.
10. Una vez terminado el ciclo de horneado/ asado, el horno se apagará automáticamente y se oirán 4 sonidos audibles de un segundo.

CUIDADO DE LA ESTUFA

Limpieza general

IMPORTANTE: Antes de limpiar, asegúrese de que todos los controles estén apagados y que el horno y la superficie de cocción estén fríos. Siga siempre las instrucciones que vienen en las etiquetas de los productos de limpieza. No limpie superficie interna alguna hasta que el horno se haya enfriado por completo. El pasar un paño húmedo frío en el vidrio interior de la puerta antes de que se haya enfriado por completo podría ocasionar la ruptura del vidrio.

A menos que se indique lo contrario, se sugiere primero el jabón, agua y un paño suave o una esponja.

CONTROLES DE LA SUPERFICIE DE COCCIÓN

No use productos de limpieza abrasivos, de fibra metálica o para limpiar hornos.

No remoje las perillas.

Al volver a montar las perillas, asegúrese de que las mismas estén en la posición OFF (Apagado).

En algunos modelos, no quite los obturadores que están debajo de las perillas.

- Agua y jabón o lavavajillas:

Jale las perillas en sentido recto para quitarlas del tablero de control.

TABLERO DE CONTROL

No use productos de limpieza abrasivos, estropajos de fibra de acero, paños ásperos o ciertas toallas de papel ya que podrían dañar el tablero.

- Producto para limpiar vidrios y un paño suave o esponja:

Aplique el producto para limpiar vidrios al paño suave o esponja, no lo haga directamente sobre el tablero.

SUPERFICIES EXTERIORES DE ESMALTE DE PORCELANA (en algunos modelos)

Los derrames de alimentos que contienen ácidos, tales como vinagre y tomate, deberán limpiarse tan pronto se enfríe el electrodoméstico. Estos derrames pueden afectar el acabado.

- Producto para limpiar vidrios, producto de limpieza líquido suave o estropajo no abrasivo:

Limpie cuidadosamente alrededor de la placa con el número de modelo y de serie porque el refregar puede borrar los números.

PARRILLAS Y TAPAS REVESTIDAS DE PORCELANA

Los derrames de alimentos que contienen ácidos tales como vinagre y tomate se deben limpiar tan pronto la superficie de cocción, las parrillas y las tapas se hayan enfriado. Estos derrames pueden afectar el acabado.

Para evitar que se piquen, no golpee las parrillas y las tapas entre sí o con superficies duras como utensilios de cocina de hierro fundido.

No vuelva a montar las tapas en los quemadores mientras estén mojados.

No las limpie en lavavajillas.

- Estropajo de plástico no abrasivo y producto de limpieza ligeramente abrasivo:

Limpie tan pronto la superficie de cocción, las parrillas y las tapas se hayan enfriado.

QUEMADORES EXTERIORES

Modelos con quemadores sellados

Vea la sección "Quemadores exteriores sellados."

Modelos con quemadores abiertos

Vea la sección "Quemadores abiertos."

CHAROLA Y REJILLA PARA ASAR

- Producto de limpieza ligeramente abrasivo:
Refriegue con un estropajo húmedo.
 - Solución de ½ taza (125 mL) de amoníaco por un galón (3,75 L) de agua:
Remoje 20 minutos, luego refriegue con un estropajo o una esponja de fibra metálica.
 - Producto para limpiar hornos:
Siga las instrucciones de la etiqueta del producto.
- Sólo esmalte de porcelana, no cromo
- Lavavajillas

CAVIDAD DEL HORNO

Los derrames de alimentos deberán limpiarse cuando el horno se enfríe. A altas temperaturas, la reacción química de los alimentos con la porcelana puede dar lugar a manchas, corrosión, picaduras o tenues puntos blancos.

En algunos modelos, se puede quitar la puerta del horno. Vea primero "Puerta del horno".

- Esponja de fibra metálica
- Limpiador para horno:
Siga las instrucciones de la etiqueta del producto. No deje que el limpiador entre en contacto con la junta, el termostato o las superficies exteriores. Cubra el piso con periódico.

VIDRIO DE LA PUERTA DEL HORNO (en algunos modelos)

- Producto para limpiar vidrios y toallas de papel o estropajo de plástico no abrasivo

PARRILLAS DEL HORNO

- Estropajo de fibra metálica

Luz del horno

La luz del horno es una bombilla estándar para electrodomésticos de 40 vatios. Se encenderá cuando se abra la puerta del horno. Cuando la puerta del horno esté cerrada, presione el interruptor manual de la luz del horno que está en la parte de atrás para encender y apagar.

Antes de cambiarla, asegúrese de que el horno y la superficie de cocción estén fríos y que las perillas de control estén apagadas.

Para reemplazar:

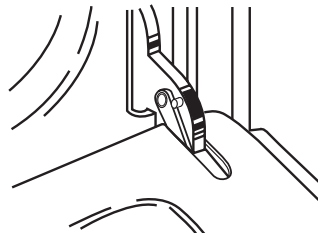
1. Desenchufe la estufa o desconecte la electricidad.
2. Gire la bombilla a la izquierda para sacarla del casquillo.
3. Reemplace la bombilla.
4. Enchufe la estufa o vuelva a conectar la electricidad.

Puerta del horno

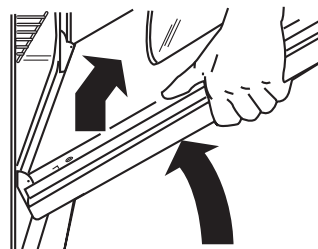
Para uso normal de la estufa, no se aconseja quitar la puerta del horno. Sin embargo, de ser necesario, siga estas instrucciones. La puerta del horno es pesada.

Para quitarla:

1. Abra la puerta del horno. Introduzca los pernos de la bisagra que se incluyen con su estufa, en ambos ganchos de suspensión de la bisagra. No quite los pernos mientras esté sacando la puerta de la estufa.



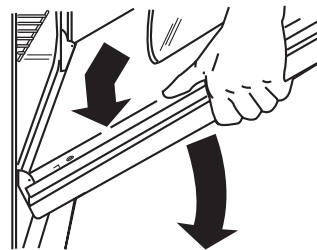
2. Sujete ambos lados de la parte delantera de la puerta con sus dedos y use sus pulgares en la superficie interior.



3. Jale la puerta hacia arriba y luego hacia usted. No quite los pernos de la bisagra hasta que la puerta haya sido colocada de nuevo en la estufa.

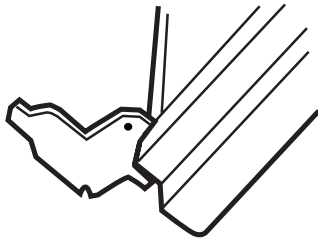
Para volver a colocarla:

1. Sujete ambos lados de la parte delantera de la puerta con sus dedos y use sus pulgares en la superficie interior.



2. Sostenga la puerta del horno de modo que el borde superior de cada ranura de la puerta esté en posición horizontal. Introduzca la bisagra de la puerta en las ranuras de la bisagra.

- Incline la parte superior de la puerta hacia la estufa. Inserte la bisagra inferior de la puerta en la orilla del marco frontal.



- Abra la puerta completamente y quite los pernos de la bisagra. Guarde los pernos para uso futuro.
- Cierre la puerta lentamente para asegurarse de que la puerta tenga el espacio apropiado a los lados y que las bisagras hayan encajado adecuadamente.

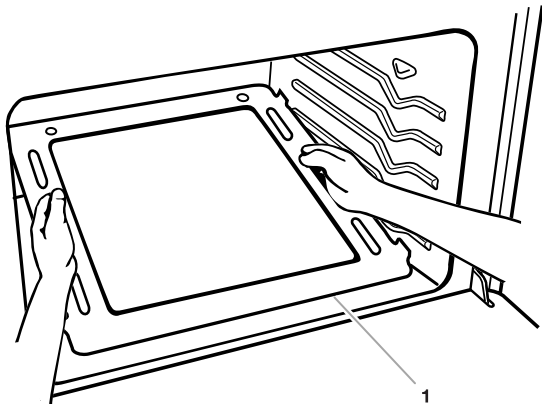
Para quitar el fondo del horno

Se puede quitar el panel del fondo del horno para efectuar una limpieza regular del horno.

Antes de limpiar, cerciórese de que el horno esté completamente frío.

Para quitar el fondo del horno:

- Retire las parrillas del horno.
- Coloque los dedos en las ranuras del panel del fondo.



1. Borde

- Levante la parte posterior del panel hacia arriba y hacia atrás. El borde de la parte delantera del panel deberá liberarse del marco frontal de la cavidad del horno.
- Levante el fondo hacia arriba y hacia fuera.

Para volver a colocar el fondo del horno:

Siga los pasos arriba indicados en orden inverso.

SOLUCIÓN DE PROBLEMAS

Pruebe primero las soluciones aquí sugeridas para evitar el costo de una visita de servicio técnico innecesaria.

Nada funciona

- **¿Se ha cableado y polarizado debidamente el contacto de suministro eléctrico?**
Pruebe otro contacto para verificar el cableado y la polaridad adecuados.
- **¿Está desenchufado el cable eléctrico?**
Enchúfelo en un contacto de tres terminales con debida conexión a tierra.
- **¿Se ha quemado un fusible en casa o se ha disparado el disyuntor?**
Cambie el fusible o vuelva a conectar el circuito.
- **¿Está la válvula principal o la válvula reguladora de cierre del gas en la posición apagado?**
Vea las instrucciones de instalación.
- **¿Está la estufa debidamente conectada al suministro de gas?**
Póngase en contacto con un especialista de reparaciones competente o vea las instrucciones de instalación.

Los quemadores exteriores no funcionan

- **¿Es ésta la primera vez que se usan los quemadores exteriores?**
Encienda cualquiera de las perillas de los quemadores exteriores para liberar el aire proveniente de la tubería del gas.
- **¿Se ha fijado correctamente la perilla de control?**
Oprima la perilla antes de girar a un ajuste.
- **¿Están obstruidos los orificios del quemador?**
En modelos con quemadores sellados, vea la sección "Quemadores exteriores sellados".
En modelos con quemadores abiertos, vea la sección "Quemadores exteriores".

Las llamas del quemador exterior están desiguales, amarillas y/o ruidosas

- **¿Están obstruidos los orificios del quemador?**
En modelos con quemadores sellados, vea la sección "Quemadores exteriores sellados".
En modelos con quemadores abiertos, vea la sección "Quemadores exteriores".
- **¿En modelos con tapas, están las tapas del quemador colocadas adecuadamente?**
Vea la sección "Quemadores exteriores sellados".
- **¿Está dañado el quemador?**
En modelos con tapas, revise si la tapa está torcida. Si la tapa gira libremente en una superficie plana, con la parte plana hacia abajo, la tapa está torcida. Cambie la tapa con un quemador exterior diferente para verificar el nivel de torcimiento. Póngase en contacto con un especialista de reparación competente.
- **¿Está correcta la mezcla de aire/gas?**
Póngase en contacto con un técnico autorizado para verificar la mezcla de aire/gas, o vea las instrucciones de instalación.
- **¿Se está usando gas propano?**
El electrodoméstico puede haber sido convertido incorrectamente. Póngase en contacto con un especialista de reparación competente.

El quemador exterior hace estallidos

- **¿Está mojado el quemador?**
Déjelo secar.

El utensilio de cocina está desnivelado en la superficie de cocción.

- **¿Está desnivelada la estufa?**
Nivele la estufa. (Vea las Instrucciones de Instalación.)
- **¿Se ha utilizado el utensilio de cocina apropiado?**
Use utensilios de cocina con fondo liso. (Vea la sección "Utensilios de cocina".)

Calor excesivo alrededor del utensilio de cocina en la superficie de cocción

- **¿Es el utensilio de cocina del tamaño apropiado?**
Use el utensilio de cocina de tamaño similar al área, elemento de cocción exterior o quemador exterior. El utensilio de cocina no debe extenderse más de una pulg. (2,5 cm) fuera del área de cocción.
- **¿Se han girado los quemadores exteriores del lado derecho uno frente al otro?**
Vea la sección "Rotación de los quemadores".

El horno no funciona

- **¿Se ha cableado y polarizado debidamente el contacto de suministro eléctrico?**
Pruebe otro contacto para verificar si el cableado y la polaridad son los adecuados.
- **¿Es ésta la primera vez que usa el horno?**
Encienda cualquiera de las perillas del quemador exterior para liberar el aire proveniente de la tubería de gas.
- **¿Se ha fijado debidamente el control electrónico del horno?**
Vea la sección "Control electrónico del horno".
- **¿Se ha fijado el Bloqueo del horno (en algunos modelos)?**
Vea la sección "Bloqueo del horno".
- **¿Está la tubería principal o la válvula reguladora de cierre del gas en la posición de apagado?**
Póngase en contacto con un técnico autorizado o vea las Instrucciones de instalación.

El horno hace un ruido sordo acompasado cuando está en uso

- Esto es normal y ocurre cuando el quemador del horno cambia de ciclo para mantener la temperatura fijada del horno.

Las llamas del quemador del horno están desiguales, amarillas o ruidosas

- **¿Se está usando gas propano?**
El electrodoméstico puede haber sido convertido incorrectamente. Póngase en contacto con un especialista de reparación competente.
- **¿Está correcta la mezcla de aire/gas?**
Póngase en contacto con un técnico autorizado para verificar la mezcla de aire/gas, o vea las instrucciones de instalación.

La temperatura del horno es demasiado alta o demasiado baja

- **¿La calibración de temperatura del horno necesita un ajuste?**
Vea la sección "Control de temperatura del horno".

La pantalla muestra mensajes

- **¿Está la pantalla mostrando "PF"?**
Ha ocurrido un corte de electricidad. Presione OFF/CANCEL (Apagado/anulación) para despejar la pantalla. Vuelva a poner el reloj a la hora de ser necesario. Vea la sección "Reloj".
- **¿Está la pantalla mostrando "F" seguida de un número?**
Presione OFF/CANCEL para despejar la pantalla. Si vuelve a aparecer el código "F", llame al servicio técnico.
- **¿Se ha fijado un inicio diferido?**
Vea la sección "Cocción temporizada".

Los resultados de cocción de la superficie de cocción no son los que se esperaba

- **¿Se está usando el utensilio de cocina apropiado?**
Vea la sección "Utensilios de cocina".
- **¿Se ha fijado la perilla de control en el nivel apropiado de calor?**
Vea la sección "Controles de la superficie de cocción".

Los resultados del horneado no son los que se esperaba

- **¿Se ha precalentado el horno?**
Espere que el horno se precaliente antes de colocar los alimentos en él.
- **¿Se han ubicado las parrillas adecuadamente?**
Vea la sección "Posición de las parrillas y los utensilios para hornear".
- **¿Hay circulación de aire apropiada alrededor del utensilio para hornear?**
Vea la sección "Posición de las parrillas y los utensilios para hornear".
- **¿Se ha distribuido la masa en forma pareja en la bandeja para hornear?**
Revise para asegurarse de que la masa esté nivelada en la bandeja para hornear.
- **¿Está nivelado el electrodoméstico?**
Nivele el electrodoméstico. Vea las instrucciones de instalación.
- **¿Están los artículos horneados demasiado dorados en el fondo?**
Disminuya la temperatura del horno de 10°F a 30°F (5°C a 15°C).
- **¿Se están dorando los bordes de las cortezas antes de tiempo?**
Use papel de aluminio para cubrir el borde de la corteza.

Horneado o asado lento

- **¿Se ha precalentado el horno?**
Espere que el horno se caliente antes de colocar los alimentos en él.
- **¿Hay circulación de aire apropiada alrededor del utensilio para hornear?**
Vea la sección "Posición de las parrillas y los utensilios para hornear".
- **¿Se está usando un lapso de tiempo apropiado?**
Aumente el tiempo para hornear o asar.
- **¿Se ha fijado la temperatura apropiada?**
Aumente la temperatura 25°F (15°C).
- **¿Se ha abierto la puerta del horno durante la cocción?**
Abrir el horno para mirar los alimentos disminuye el calor del horno y puede prolongar los tiempos de cocción.

El quemador del asador no se enciende

- **¿Se ha averiado el sistema del encendido?**
Póngase en contacto con un técnico autorizado para cambiarlo.
- **¿Se ha quemado el fusible de la casa o se ha disparado el disyuntor?**
Cambie el fusible o vuelva a conectar el circuito.

AYUDA O SERVICIO TECNICO

Antes de solicitar asistencia o servicio, por favor consulte la sección "Solución de Problemas." Esto le podría ahorrar el costo de una visita de servicio técnico. Si considera que aún necesita ayuda, siga las instrucciones que aparecen a continuación.

Cuando llame, tenga a mano la fecha de compra y el número completo del modelo y de la serie de su electrodoméstico. Esta información nos ayudará a atender mejor a su pedido.

Si necesita piezas de repuesto

Si necesita pedir piezas de repuesto, recomendamos que use únicamente piezas especificadas de fábrica FSP®. Estas piezas encajarán bien y funcionarán bien ya que están confeccionadas con la misma precisión empleada en la fabricación de cada electrodoméstico nuevo de ESTATE®.

Para encontrar piezas de repuesto FSP® en su localidad, llame a nuestro Centro de interacción del cliente o al centro de servicio designado por ESTATE más cercano a su localidad.

En los EE. UU.

Llame al Centro de interacción del cliente de Whirlpool sin costo alguno al: **1-800-253-1301**.

Nuestros consultores ofrecen asistencia con respecto a:

- Características y especificaciones de nuestra línea completa de electrodomésticos.
- Información sobre instalación.
- Procedimiento para el uso y mantenimiento.
- Accesorios y venta de partes para reparación.
- Asistencia especializada para el consumidor (habla hispana, problemas de audición, visión limitada, etc.).
- Recomendaciones con distribuidores locales, compañías que dan servicio y distribuidores de partes para reparación. Los técnicos designados por Whirlpool están entrenados para cumplir con la garantía de producto y ofrecer servicio una vez que la garantía termine, en cualquier lugar de los Estados Unidos.

Para localizar a una compañía de servicio designada por Whirlpool en su área, también puede consultar las páginas amarillas de su guía telefónica.

Para obtener más asistencia

Si necesita asistencia adicional, puede escribir a Whirlpool Corporation con sus preguntas o dudas a:

Estate Brand Home Appliances
Customer Interaction Center
553 Benson Road
Benton Harbor, MI 49022-2692

Favor de incluir un número telefónico de día en su correspondencia.

GARANTÍA PARA ESTUFAS Y SUPERFICIES DE COCCIÓN DE GAS ESTATE®

GARANTÍA TOTAL DE UN AÑO

Durante un año a partir de la fecha de compra, siempre y cuando se dé al electrodoméstico un uso y mantenimiento de conformidad con las instrucciones adjuntas a, o provistas con el producto, Whirlpool Corporation se hará cargo del costo de las piezas de repuesto FSP® y del gasto del trabajo de reparación para corregir defectos en los materiales o en la mano de obra. El servicio deberá ser proporcionado por una compañía de servicio designada por Whirlpool Corporation.

GARANTÍA LIMITADA DEL SEGUNDO AL QUINTO AÑO PARA ESTUFAS Y SUPERFICIES DE COCCIÓN DE GAS

Para estufas de gas y superficies de cocción de gas, desde el segundo hasta el quinto año a partir de la fecha de compra, siempre y cuando se dé al electrodoméstico un uso y mantenimiento de conformidad con las instrucciones adjuntas a, o provistas con el producto, Whirlpool Corporation se hará cargo del costo de las piezas de repuesto FSP® de cualquier quemador de gas para corregir defectos en los materiales o en la mano de obra.

Whirlpool Corporation no se hará cargo de los gastos ocasionados por:

1. Visitas de servicio técnico para corregir la instalación de su electrodoméstico, para enseñarle a usar su electrodoméstico, para cambiar fusibles domésticos o para corregir la instalación eléctrica de la casa, o para cambiar bombillas de luz que están al alcance del propietario.
2. Reparaciones cuando su electrodoméstico ha sido empleado para fines ajenos al uso doméstico normal.
3. Recogida y entrega. Este producto está diseñado para ser reparado en el hogar.
4. Daños causados por accidente, alteración, uso indebido, mal uso, incendio, inundación, instalación incorrecta, actos fortuitos, o el empleo de productos no aprobados por Whirlpool Corporation.
5. Reparaciones de piezas o sistemas provocadas por modificaciones no autorizadas del electrodoméstico.
6. Piezas de repuesto o gastos de reparación para electrodomésticos que se empleen fuera de los Estados Unidos.
7. Cualquier gasto de mano de obra durante las garantías limitadas.

WHIRLPOOL CORPORATION NO SE HARÁ RESPONSABLE POR DAÑOS INCIDENTALES O CONSECUENTES.

Algunos estados no permiten la exclusión o limitación de daños incidentales o consecuentes, de modo que esta exclusión o limitación quizás no le corresponda. Esta garantía le otorga derechos legales específicos y es posible que usted tenga también otros derechos que pueden variar de un estado a otro.

Esta garantía no tiene vigor fuera de los cincuenta Estados Unidos. Póngase en contacto con el distribuidor autorizado de Whirlpool para determinar si corresponde otra garantía.

Si necesita servicio técnico, vea primero la sección "Solución de Problemas" de este libro. Después de consultar la sección "Solución de Problemas", puede encontrar ayuda adicional en la sección "Asistencia o servicio," o al llamar al Centro de interacción del cliente de Whirlpool al **1-800-253-1301** (gratuito) desde cualquier lugar de los EE.UU. 5/00

Guarde este libro y su comprobante de ventas juntos para consulta futura. Para obtener el servicio de la garantía deberá proporcionar un comprobante de compra o la fecha de instalación del electrodoméstico.

Anote la siguiente información acerca de su electrodoméstico para facilitar la obtención de asistencia o servicio si llegara a necesitarlo. Usted tendrá que saber el número completo del modelo y de la serie. Encontrará esta información en la placa / etiqueta con el número del modelo y de la serie, ubicada en su electrodoméstico como se ilustra en la sección "Piezas y características."

Nombre del distribuidor _____

Dirección _____

Número de teléfono _____

Número del modelo _____

Número de la serie _____

Fecha de compra _____

98012565

© 2002 Whirlpool Corporation.
All rights reserved.
Todos los derechos reservados.

® Registered Trademark/TM Trademark of Whirlpool, U.S.A.
® Marca registrada/TM Marca de comercio de Whirlpool, EE.UU.

3/02
Printed in Mexico
Impreso en México

Free Manuals Download Website

<http://myh66.com>

<http://usermanuals.us>

<http://www.somanuals.com>

<http://www.4manuals.cc>

<http://www.manual-lib.com>

<http://www.404manual.com>

<http://www.luxmanual.com>

<http://aubethermostatmanual.com>

Golf course search by state

<http://golfingnear.com>

Email search by domain

<http://emailbydomain.com>

Auto manuals search

<http://auto.somanuals.com>

TV manuals search

<http://tv.somanuals.com>