



Service Manual

Electric cooker

ACM 394 N

Model	ACM 394 N
Version	8576 394 32000
Service Nr.	0000 000 00000

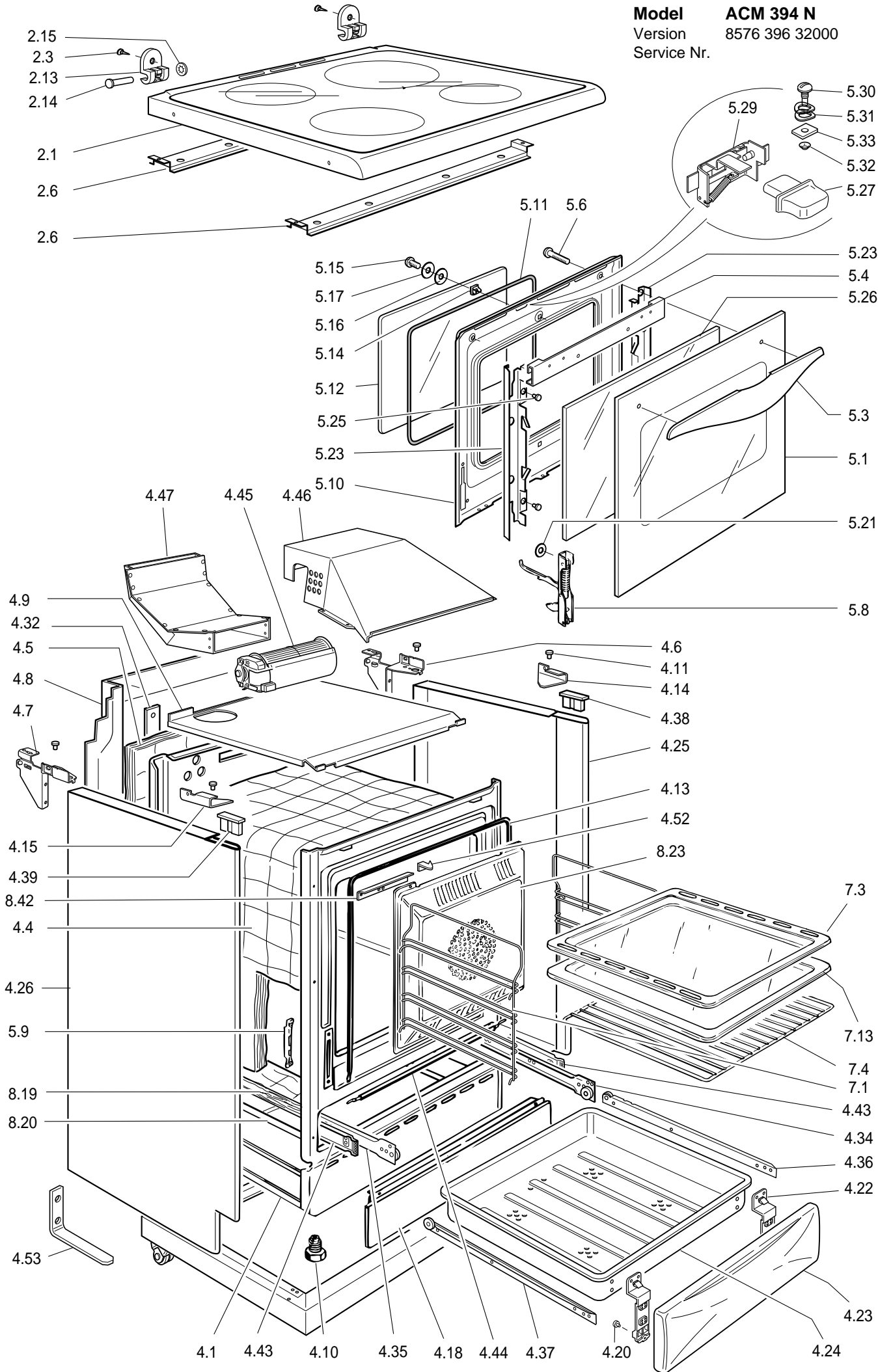
Spare parts list	0000 000 00000
Exploded view	0000 000 00000
Spare parts list	0000 000 00000
Exploded view	0000 000 00000
Electric diagram	0000 000 00000
Electric diagram	0000 000 00000
Technical features	0000 000 00000

Date 15.01.2001
Model ACM 394 N
Version 8576 394 32000
Service Nr. 00/0000-00 00

Spare part list for Electric Cooker

Pos. No.	Spare Part No.	Denomination
2.1	355VC6120	Glass with frame
2.3	001138	Screw
2.6	51B6113	Hotplates support
2.13	103572	Rear spacing
2.14	211022	Pivot
2.15	003060	Snap ring
4.1	4506N1SV11	Oven body
4.4	030082.1	Oven insulation
4.5	030081.1	Rear insulation
4.6	094354DX	Rear right coupler
4.7	094354SX	Rear left coupler
4.8	4116108	Rear panel
4.9	4216107Z	Upper shelter
4.10	103028	Shim
4.11	040011	Buffer
4.13	053039	Seal
4.14	094333DX	Front right coupler
4.15	094333SX	Front left coupler
4.18	103160035	Base panel
4.20	081074	Buffer
4.22	094371	Drawer fixing bracket
4.23	39E6N013	Drawer front panel
4.24	39K6103Y	Drawer
4.25	36C6ND13	Right side panel
4.26	36C6NS13	Left side panel
4.32	4219604Z	Rear insulation support
4.34	103338DX/E	Right rail
4.35	103338SX/E	Left rail
4.36	103338DX/I	Right drawer rail
4.37	103338SX/I	Left drawer rail
4.38	081083035	Right front trim plug
4.39	081084035	Left front trim plug
4.43	51B6107	Rail drawer support
4.44	053074	Top/bottom seal
4.45	079017	Tangential fan
4.46	46A6N03Z	Air conveyor
4.47	46A6N02Z	Funnel
4.48	68061005	Plinth
4.52	094325	Stainless steel child lock hook
4.53	094153	Anti-tilt bracket
5.1	032612046	Door glass
5.3	037207035	Door handle
5.4	4116111	Handle bar
5.6	001183	Screw
5.8	063096	Door hinge (male)
5.9	063066	Door hinge (female)
5.10	373FF713K	Door panel
5.11	053084	Gasket
5.12	0311000.1T	Inner glass (Thermovit)
5.14	214021	Nut
5.15	001214	Screw
5.16	003035	Washer
5.17	103205.1	Washer
5.21	003041	Washer
5.23	51B5616	Inner glass support
5.25	040056	Third glass rubber
5.26	0312039	Third glass
5.27	103418035	Child lock knob
5.29	68061002	Child lock
5.30	001209	Screw
5.31	035093	Spring
5.32	003052	Ring
5.33	214054	Nut M5
7.1	217436	Shelf support
7.3	48B6101K	Oven tray
7.4	217220	Oven shelf
7.13	48EF702K	Pastry plate
8.19	030083.1	Bottom element insulation
8.20	4216102Z	Bottom element support
8.23	47AN601K	Fan diffuser
8.42	51BF702	Thermostat bulb protection

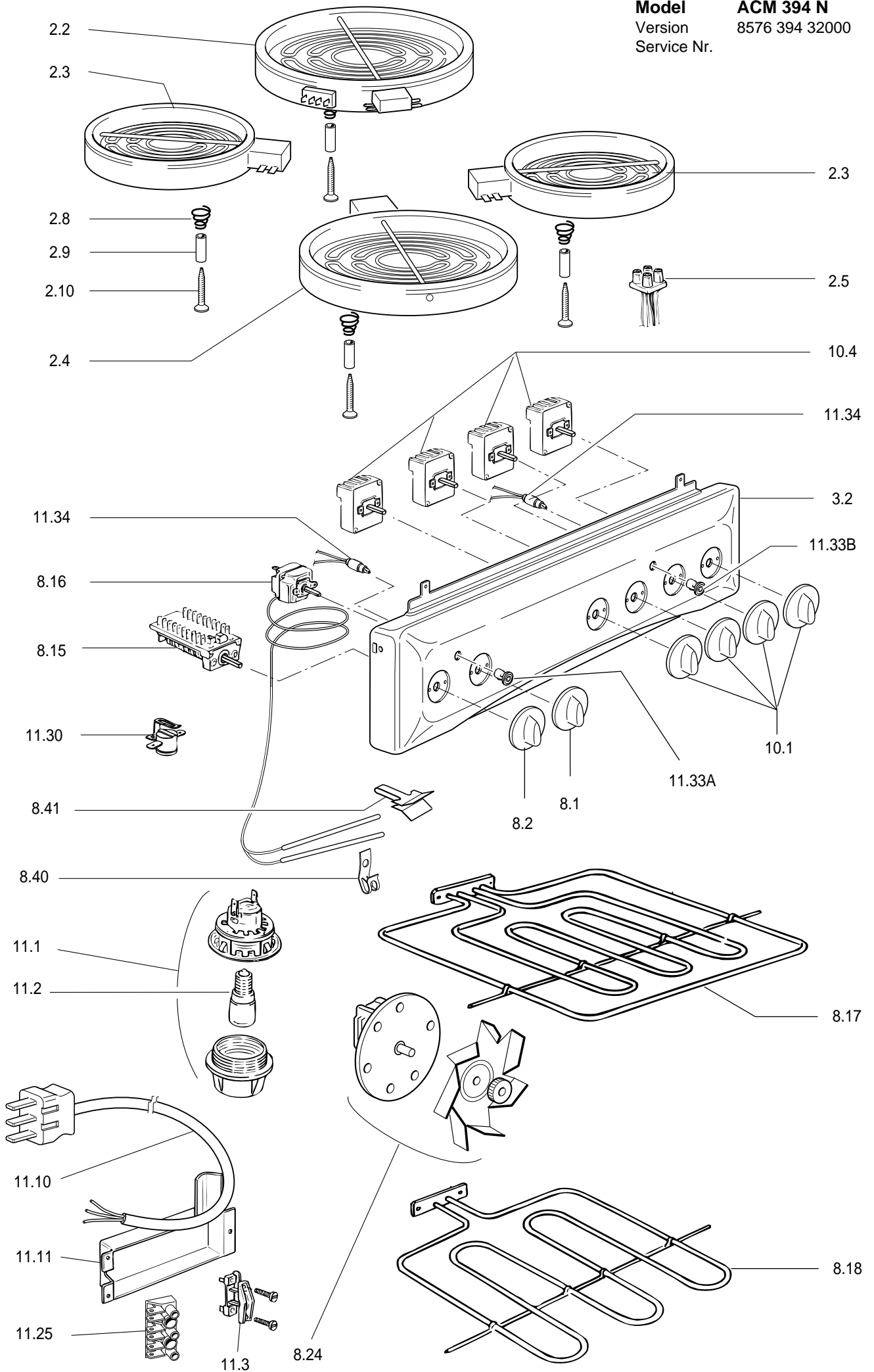
Model ACM 394 N
Version 8576 396 32000
Service Nr.



Date 15.01.2001
Model ACM 394 N
 Version 8576 394 32000
 Service Nr. 00/0000-00 00

Spare part list for Electric Cooker

<i>Pos. No.</i>	<i>Spare Part No.</i>	<i>Denomination</i>
2.2	04732230	Radiant hotplate Ø 180 - 1800W
2.3	04711230	Radiant hotplate Ø 145 - 1200W
2.4	04743230	Radiant hotplate Ø 210 - 2100W
2.5	073045	Control lamp
2.8	035075	Spring
2.9	085043	Spacer
2.10	001111	Screw
2.11	2181176316	Energy regulator knob
2.16	050019004	Energy regulator
3.2	35C6N071WH	Control panel
8.1	2181456316	Oven thermostat knob
8.2	2181426316	Oven switch knob
8.15	050057	Oven switch
8.16	066131	Oven thermostat
8.17	062080004	Top + grill tilting element
8.18	062066004	Bottom element
8.24	079008001F	Complete oven fan
8.40	213023	Clips
8.41	213026	Clips
11.1	072003	Complete lamp holder
11.2	073013001	Lamp
11.3	052008	Wire fastener
11.10	054074	Cord
11.11	103230.1A	Terminal block protection
11.25	051025	Terminal block
11.30	066057	Cut-off thermostat
11.33A	07306202.2	Control lamp cover - Red
11.33B	07306201.2	Control lamp cover - Orange
11.34	073039.2	Control lamp - L = 230 mm
–	1131261	Wiring
–	1101748	Instruction booklet



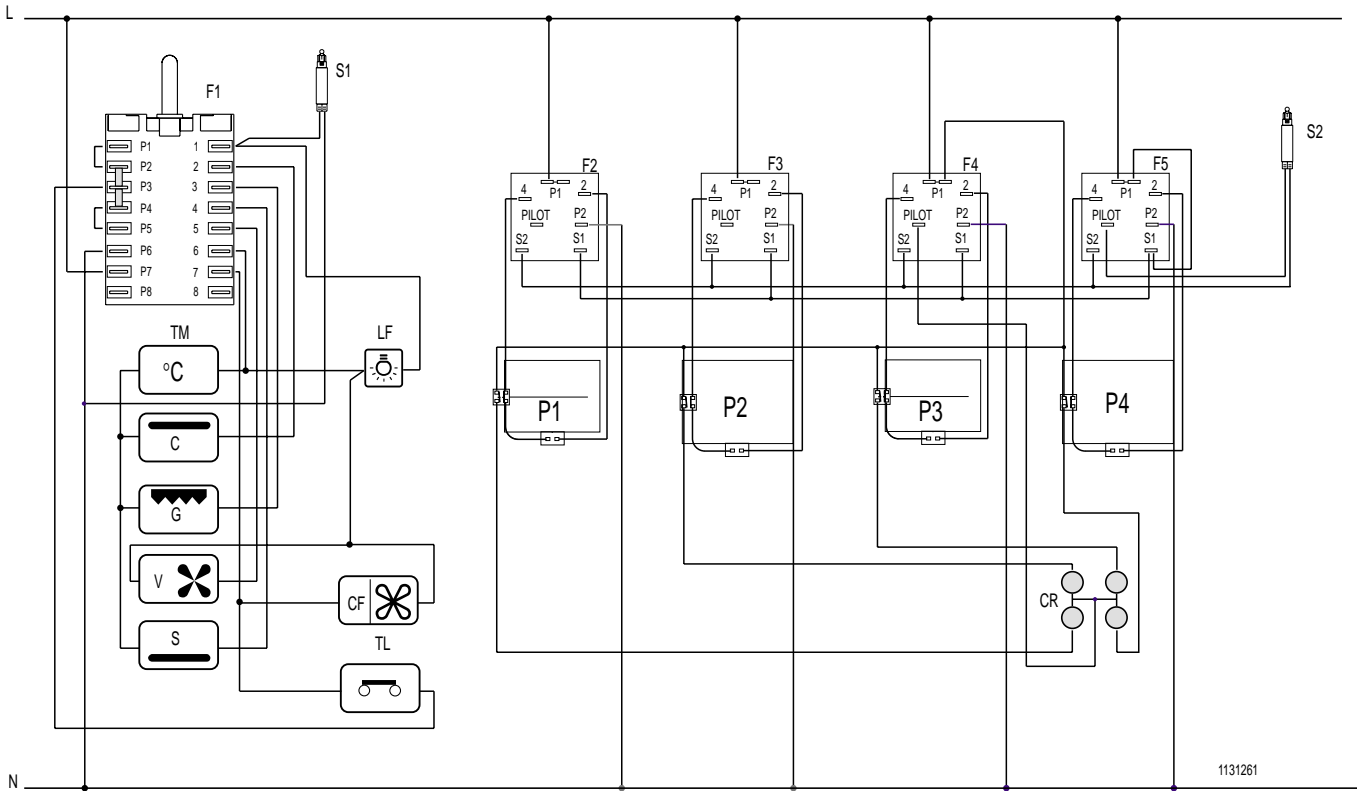


DIAGRAM FOR ELECTRIC PLATE ENERGY REGULATOR

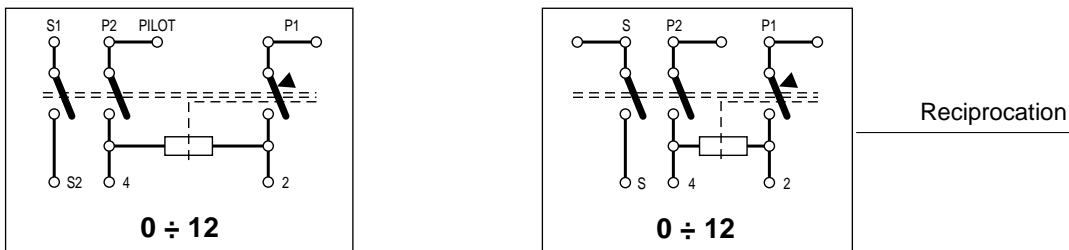
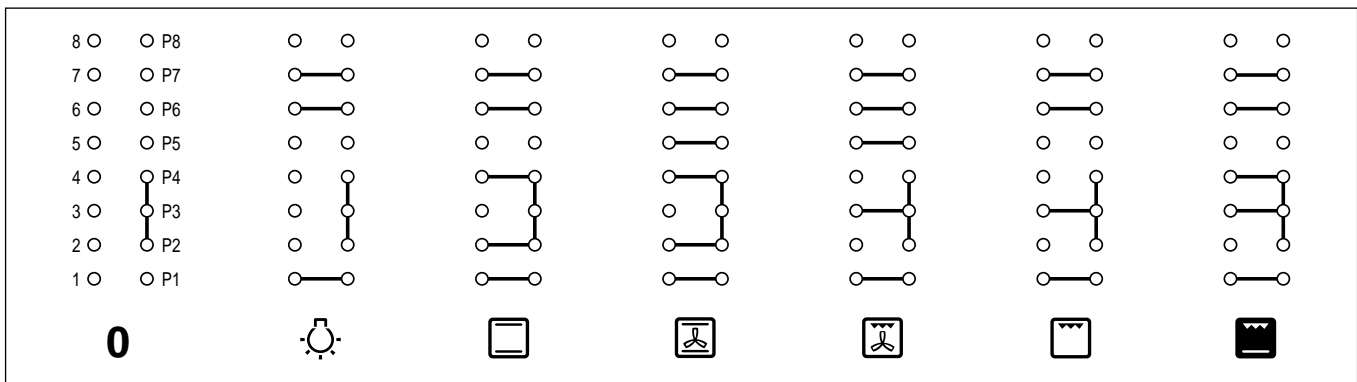
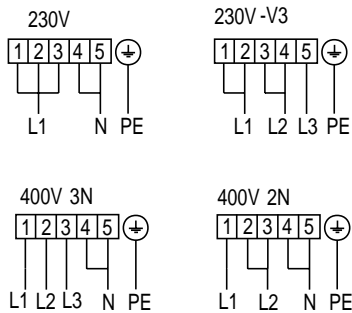
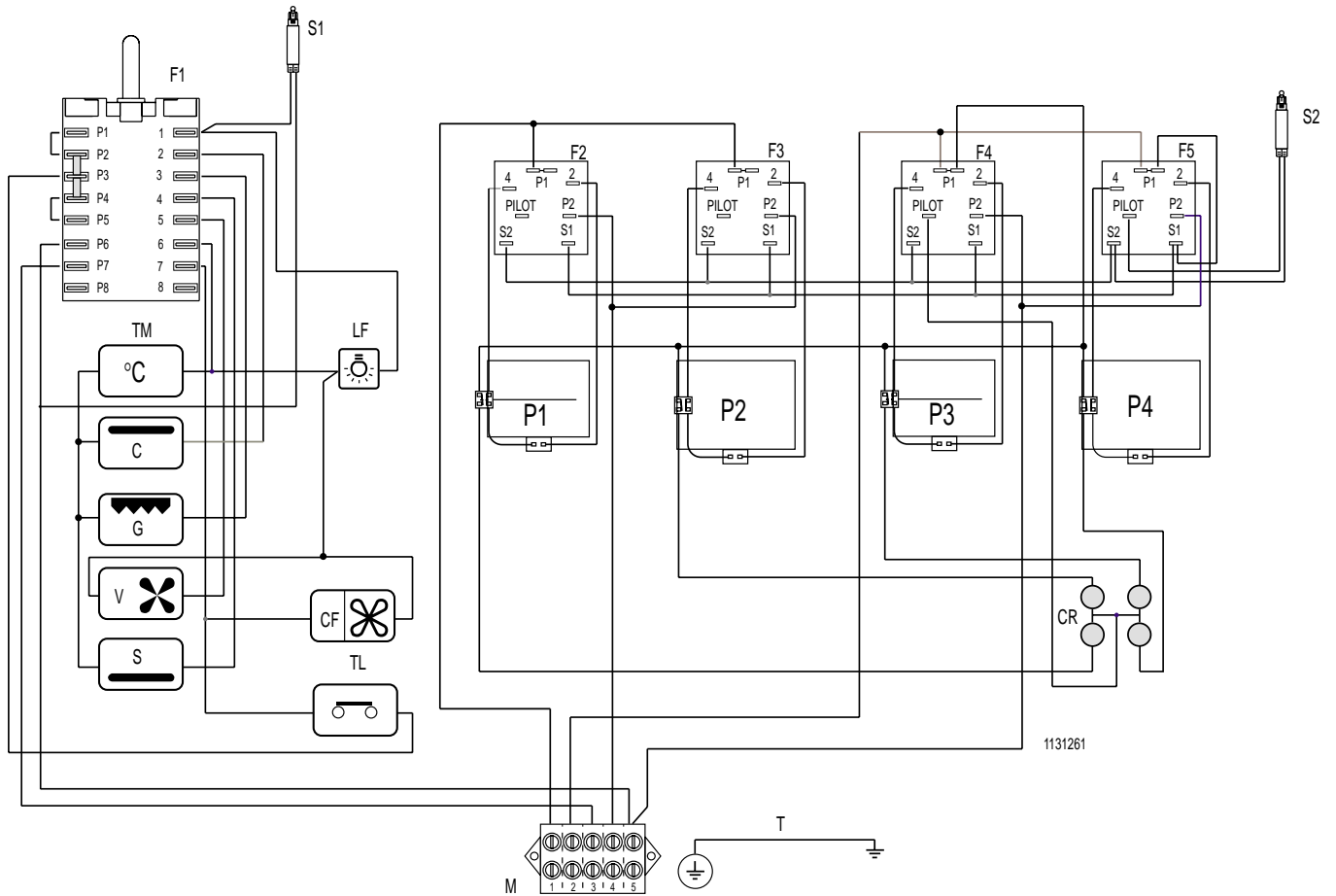


DIAGRAM FOR OVEN SELECTOR SWITCH (F1)





THIS APPLIANCE MUST BE EARTHED

ELECTRIC DIAGRAM KEY

- F1 Oven commutator
- F2/5 Radiant heater commutators
- LF Oven lamp
- TM Oven thermostat
- TL Oven thermolimitator
- C Top element
- G Grill element
- S Bottom element
- V Fan
- S1 Thermostat pilot lamp
- S2 Electric plate pilot lamp
- P1/P4 Radiant heaters
- CR Residual heat lamps
- CF Cooling fan
- M Terminal block
- T Earth plant

Technical Data No. 0000 000 00000

Electricity

Voltage 230/400 V ~ 50 Hz

Power

Cooktop power

Front left hotplate	Ø 210 mm	2100	W
Rear left hotplate	Ø 145 mm	1200	W
Rear right hotplate	Ø 180 mm	1800	W
Front right hotplate	Ø 145 mm	1200	W

Oven power

Upper heating element	1000	W
Lower heating element	1400	W
Grill heating element	2000	W

Oven light	15	W
Fan motor	25	W
Cooling fan motor	25	W

Total power usable simultaneously	9740	W
-----------------------------------	------	---

Oven cavity dimensions

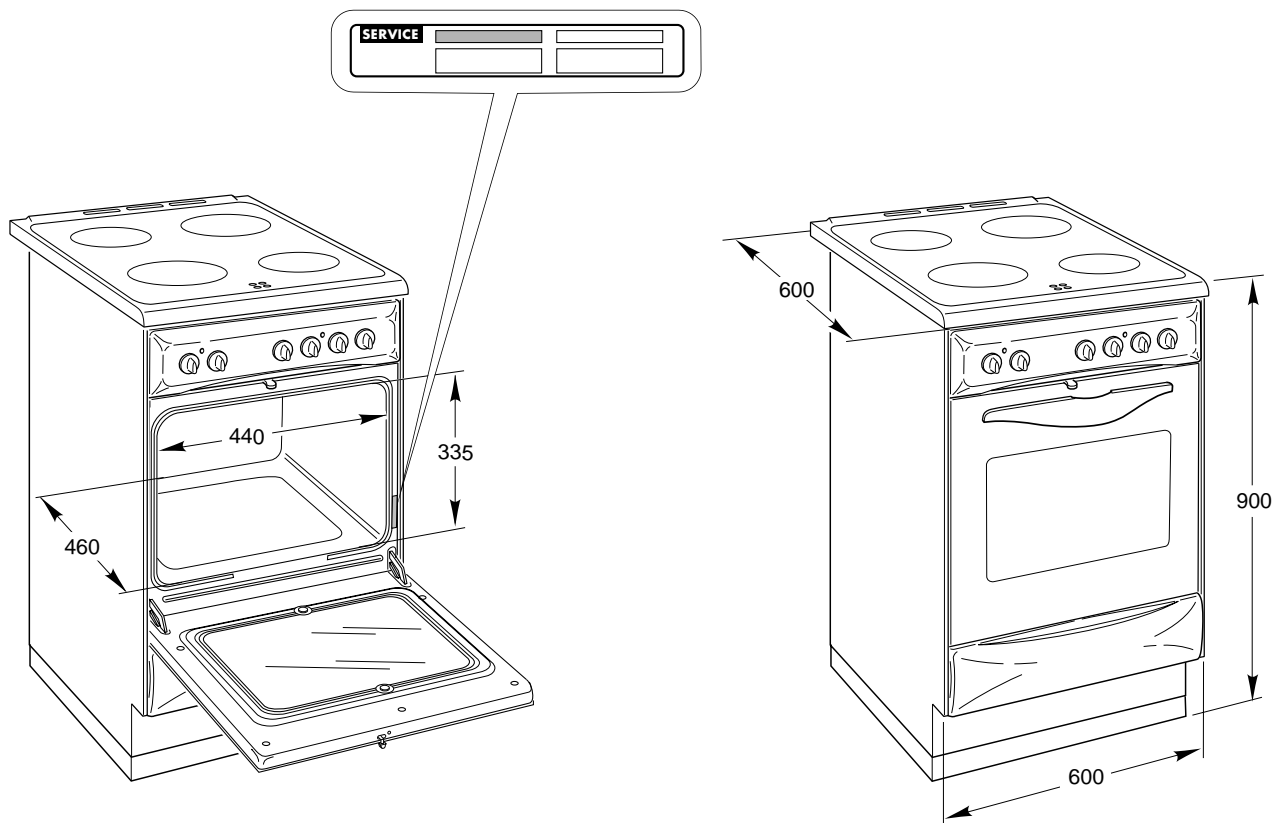
see figure

Oven volume

Cavity 59 dm³

Cooker dimensions

see figure



Free Manuals Download Website

<http://myh66.com>

<http://usermanuals.us>

<http://www.somanuals.com>

<http://www.4manuals.cc>

<http://www.manual-lib.com>

<http://www.404manual.com>

<http://www.luxmanual.com>

<http://aubethermostatmanual.com>

Golf course search by state

<http://golfingnear.com>

Email search by domain

<http://emailbydomain.com>

Auto manuals search

<http://auto.somanuals.com>

TV manuals search

<http://tv.somanuals.com>