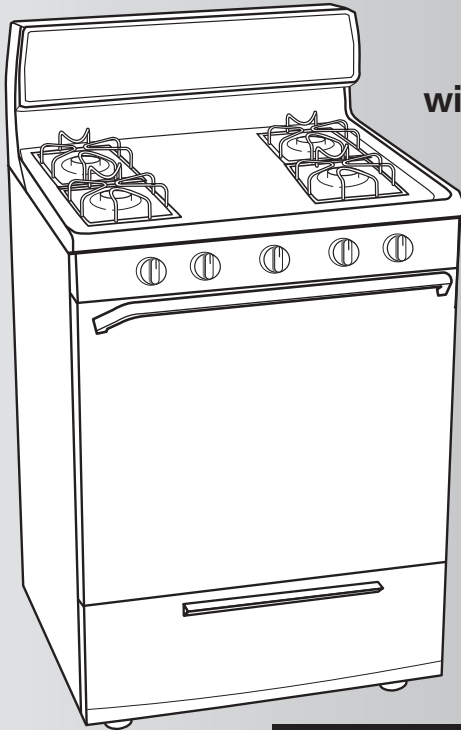


Installation Instructions

30" Freestanding Gas Range with standard clean oven



⚠ WARNING



Tip Over Hazard

A child or adult can tip the range and be killed.

Connect anti-tip bracket to rear range foot.

Reconnect the anti-tip bracket, if the range is moved.

Failure to follow these instructions can result in death or serious burns to children and adults.

Quick Reference

Table of Contents:

Pages

- | | |
|--------------|---------------------------------|
| 2 | Before you start |
| 2 | Product dimensions |
| 2 | Cabinet dimensions/requirements |
| 3 | Gas supply requirements |
| 4 - 6 | Installation steps |
| 7 - 8 | Gas conversions |

Back cover If range does not operate

Back cover If you need assistance/service

Back cover Moving the range

If you need assistance:

Check your Use and Care Guide for a toll-free number to call or call the dealer from whom you purchased this range. The dealer is listed in the Yellow Pages of your phone directory under "Appliances — Household — Major — Service and Repair."

Call when you:

- Have questions about range installation or operation.
- Need to obtain the name and number of an authorized service company.

When you call, you will need:

- The range model number.
- The range serial number.

Both numbers are listed on the model/serial rating plate located on the frame behind the broiler door.

IMPORTANT:

Read and save these instructions.

IMPORTANT:

Installer: Leave Installation Instructions with the homeowner.

Homeowner: Keep Installation Instructions for future reference.

Save Installation Instructions for local electrical inspector's use.

Part No. 98007134 Rev. A

Before you start...

Your safety and the safety of others are very important.

We have provided many important safety message in this manual and on your appliance.

Always read and obey all safety messages.



This is the safety alert symbol.

This symbol alerts you to potential hazards that can kill or hurt you and others.

All safety messages will be preceded by the safety alert symbol and the word "DANGER" or "WARNING". These words mean:

! DANGER

You can be killed or seriously injured if you don't immediately follow instructions.

! WARNING

You can be killed or seriously injured if you don't follow instructions.

All safety messages will tell you what the potential hazard is, tell you how to reduce the chance of injury, and tell you what can happen if the instructions are not followed.

WARNING: If the information in this manual is not followed exactly, a fire or explosion may result causing property damage, personal injury or death.

— Do not store or use gasoline or other flammable vapors and liquids in the vicinity of this or any other appliance.

— WHAT TO DO IF YOU SMELL GAS

- Do not try to light any appliance.
- Do not touch any electrical switch.
- Do not use any phone in your building.
- Immediately call your gas supplier from a neighbor's phone. Follow the gas supplier's instructions.
- If you cannot reach your gas supplier, call the fire department.

— Installation and service must be performed by a qualified installer, service agency or the gas supplier.

Important: Observe all governing codes and ordinances.

Do not obstruct flow of combustion and ventilation air.

This installation must conform with all local codes and ordinances. In the absence of local codes, installation must conform with American National Standard, National Fuel Gas Code ANSI Z223.1 — latest edition*.

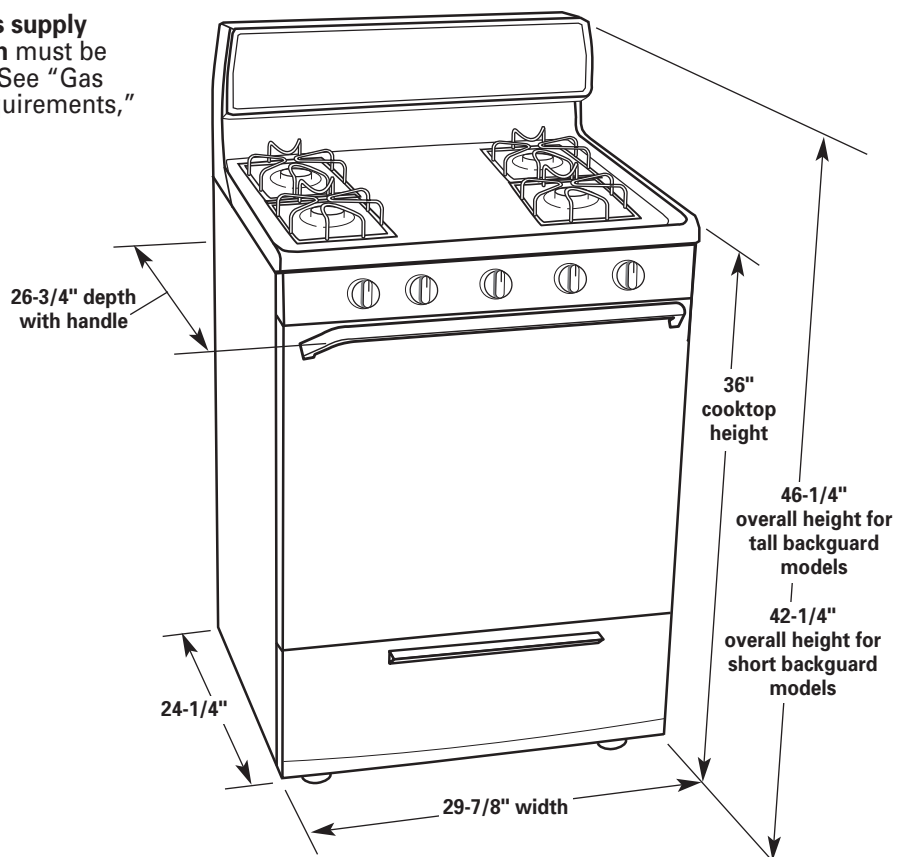
Cabinet opening dimensions shown must be used. Given dimensions are minimum clearances.

When installing a range under existing cabinets and the installation does not meet the minimum cabinet clearances, install a range hood above the cooktop to avoid burn hazards.

Proper installation is your responsibility. A qualified technician must install this range. Make sure you have everything necessary for correct installation. It is the installer's responsibility to comply with installation clearances specified on the gas information label. The gas information label and model/serial rating plate are located on the frame behind the broiler door.

Product dimensions

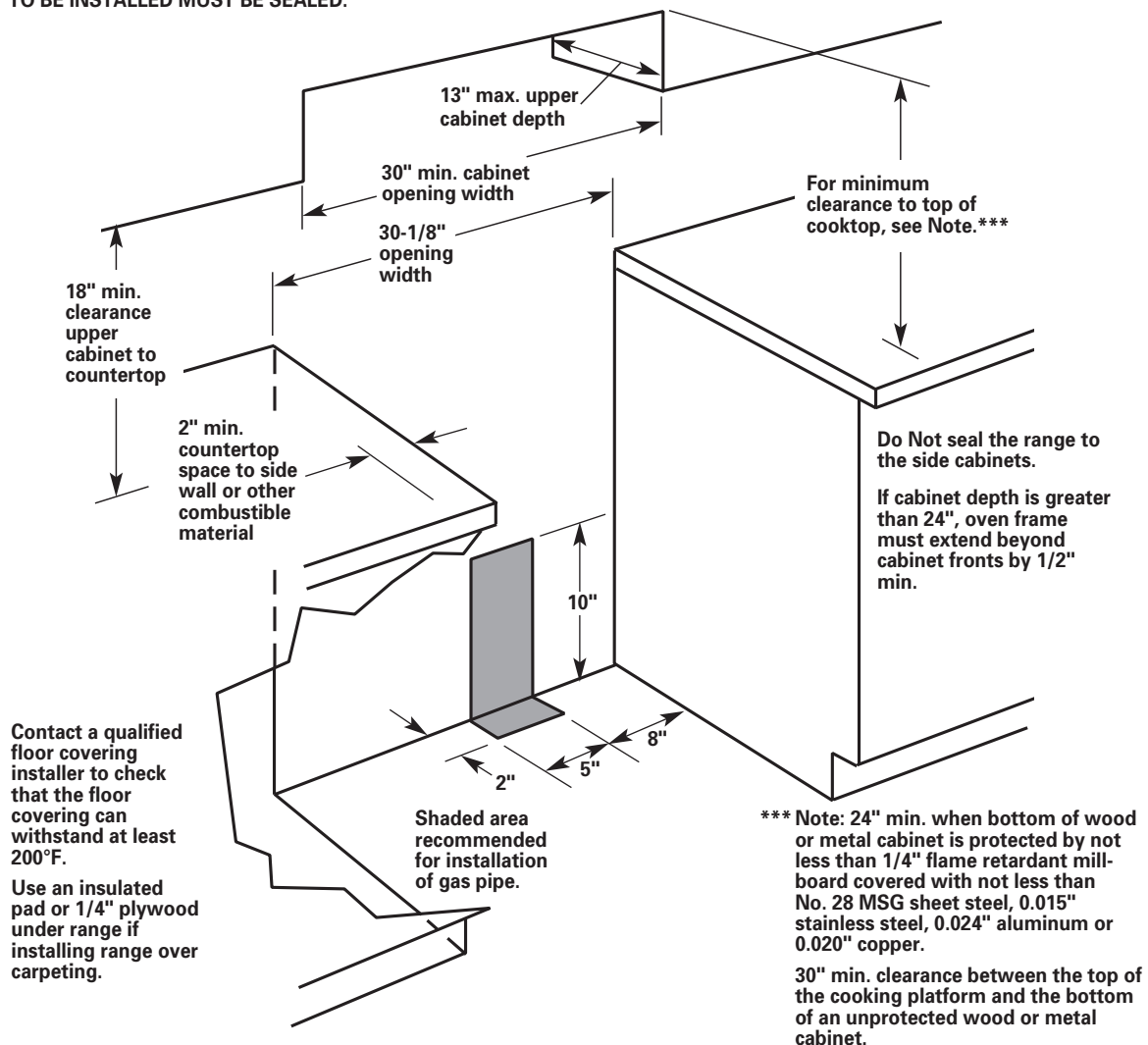
Proper gas supply connection must be available. See "Gas supply requirements," Page 3.



Cabinet dimensions/requirements

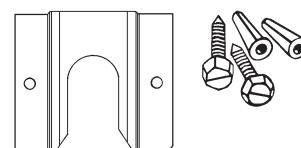
Check location where range will be installed. The range should be located for convenient use in the kitchen. Recessed installations must provide complete enclosure of the sides and rear of range. ALL OPENINGS IN THE WALL OR FLOOR WHERE RANGE IS TO BE INSTALLED MUST BE SEALED.

IMPORTANT: Some cabinet and building materials are not designed to withstand the heat produced by the oven for baking and self-cleaning. Check with your builder or cabinet supplier to make sure that the materials used will not discolor, delaminate or sustain other damage.



Anti-tip bracket

The floor-mounted anti-tip bracket **MUST** be installed. To install the anti-tip bracket supplied, see Pages 4-5 and the anti-tip bracket template/instruction sheet.



Mobile home installation

The installation of this range must conform with the Manufactured Home Construction and Safety Standard, Title 24 CFR, Part 3280 [formerly the Federal Standard for Mobile Home Construction and Safety, Title 24, HUD (Part 280)] or, when such standard is not applicable, the Standard for Manufactured Home Installations, ANSI/NCSBCS A225.1 and Manufactured Home Installations, Sites, and Communities ANSI/NFPA 501A**, or with local codes.

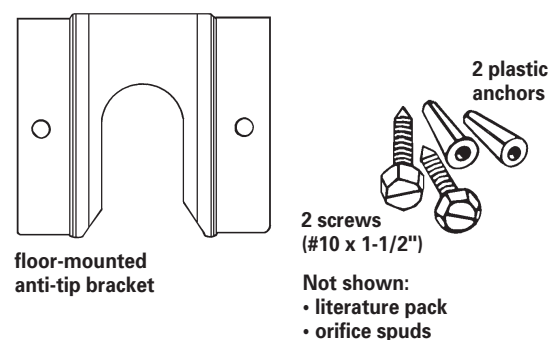
When this range is installed in a mobile home, it must be secured to the floor during transit. Any method of securing the range is adequate as long as it conforms to the standards listed above.

Copies of the standards listed may be obtained from:

* **CSA International**
8501 East Pleasant Valley Road
Cleveland, Ohio 44131-5575

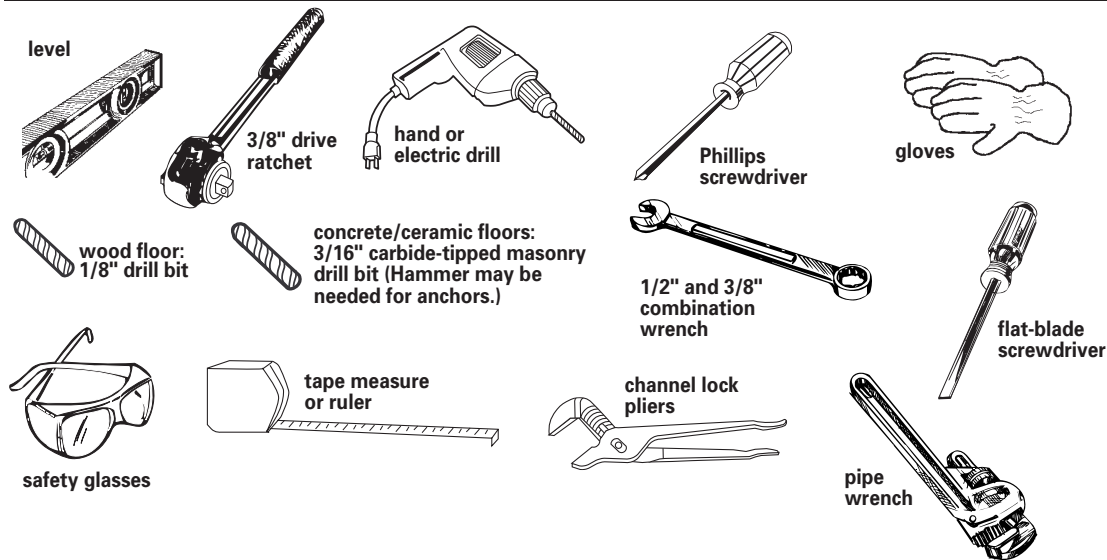
** **National Fire Protection Association**
One Batterymarch Park
Quincy, Massachusetts 02269

Parts supplied



Bracket must be securely mounted to sub-floor. Thickness of flooring may require longer screws to anchor bracket to sub-floor. Longer screws are available from your local hardware store.

Tools needed:



Materials required:

- gas line shutoff valve
- 1/2" male pipe thread nipple for connection to pressure regulator
- L.P. gas-resistant pipe-joint compound
- AGA or CSA design-certified flexible metal appliance connector (4-5 feet) or rigid gas supply line as needed
- Insulated pad or 1/4" plywood if range is installed over carpeting

Gas supply requirements

⚠ WARNING



Explosion Hazard

Use a new AGA or CSA approved gas supply line.

Install a shut-off valve.

Securely tighten all gas connections.

If connected to LP, have a qualified person make sure gas pressure does not exceed 14" water column. Examples of a qualified person include licensed heating personnel, authorized gas company personnel, and authorized service personnel.

Failure to do so can result in death, explosion, or fire.

Observe all governing codes and ordinances.

This installation must conform with all local codes and ordinances. In the absence of local codes, installation must conform with American National Standard, National Fuel Gas Code ANSI Z223.1 — latest edition*.

Input ratings shown on the model/serial rating plate are for elevations up to 2,000 feet. For assistance when installing the range at higher elevations, contact your local service company.

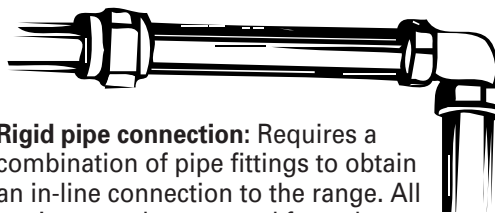
Type of gas: This range is design-certified by CSA International for use with Natural gas or, after proper conversion, for use with L. P. gas. This range is factory set for use with Natural gas. Gas conversion instructions are provided on pages 7-8. The model/serial rating plate located on the frame behind the broiler drawer has information on the type of gas that can be used. If the type of gas listed does not agree with the type of gas available, check with the local gas supplier. **Conversion must be done by a qualified service technician.**

Gas supply line: Provide a gas supply line of 3/4" rigid pipe to the range location. With L.P. gas, piping or tubing size can be 1/2" minimum. A smaller size pipe on longer runs may result in insufficient gas supply. Usually, L.P. gas suppliers determine the size and materials used in the system.

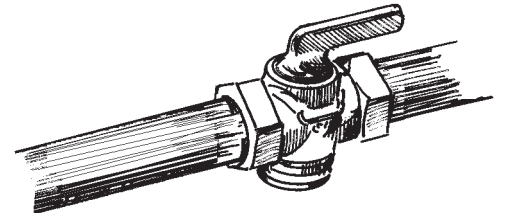
Pipe-joint compounds made for use with L.P. gas must be used on pipe threads only.



Flexible metal appliance connector: If local codes permit, a new AGA or CSA design-certified, 1/2" or 3/4" I.D., flexible metal appliance connector is recommended for connecting range to the gas supply line. A 1/2" male pipe thread nipple is needed for connection to pressure regulator connection fitting. **Do Not kink or damage the flexible metal tubing when moving the range.**



Rigid pipe connection: Requires a combination of pipe fittings to obtain an in-line connection to the range. All strains must be removed from the supply and fuel lines so range will be level and in line.



Shutoff valve: The supply line must be equipped with a manual shutoff valve. This valve should be located in the same room as the range and should be in a location that allows ease of opening and closing. The valve is for turning on or shutting off gas to the range. **Do Not block access to shutoff valve.**

Pressure regulator: The gas pressure regulator supplied with this range must be used. The inlet pressure to the regulator should be as follows for proper operation:

NATURAL GAS:

Minimum pressure: 5 inches WCP
Maximum pressure: 14 inches WCP

L.P. GAS:

Minimum pressure: 11 inches WCP
Maximum pressure: 14 inches WCP

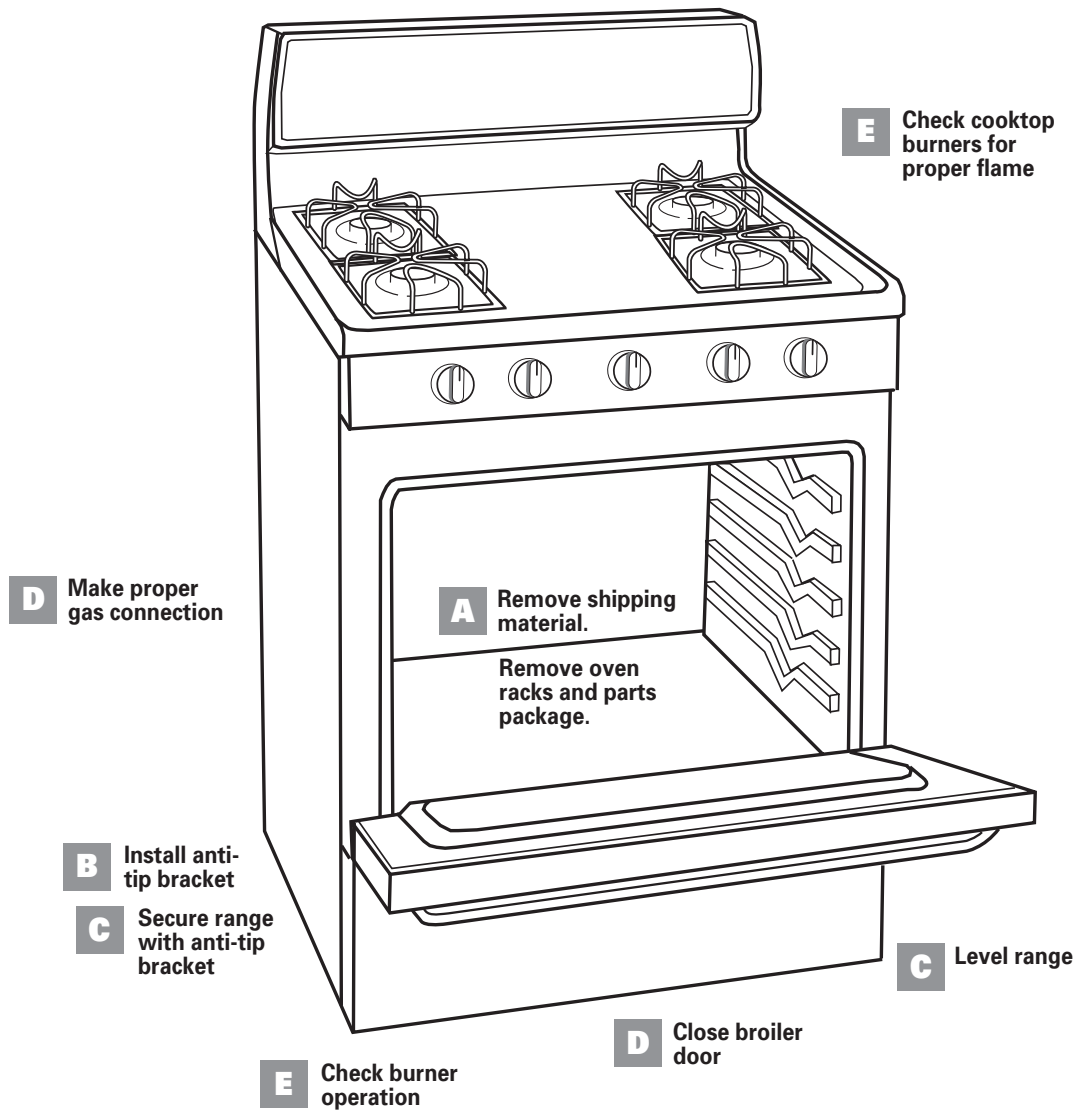
Contact local gas supplier if you are not sure about the inlet pressure.

Line pressure testing above 1/2 psi gauge (14" WCP) — The range and its individual manual shutoff valve must be disconnected from the gas supply piping system during any pressure testing of that system at test pressures greater than 1/2 psig (3.5 kPa).

Line pressure testing at 1/2 psi gauge (14" WCP) or lower — The range must be isolated from the gas supply piping system by closing its individual manual shutoff valve during any pressure testing of that system at test pressures equal to or less than 1/2 psig (3.5 kPa).

Copies of the standards listed may be obtained from:

* CSA International
8501 East Pleasant Valley Road
Cleveland, Ohio 44131-5575



Installation steps

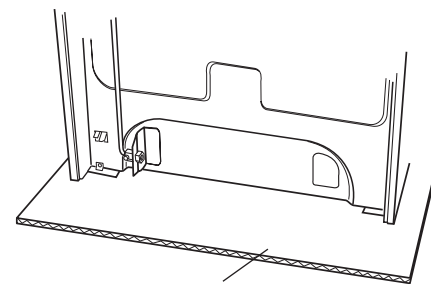
A Preparation

! WARNING

Excessive Weight Hazard
Use two or more people to move and install range.
Failure to follow this instruction can result in back or other injury.

1. Put on safety glasses and gloves. Do Not use oven door handle to lift or move the range.

2. Remove oven racks and parts package from inside oven. Remove shipping materials, tape and protective film from range.



cardboard shipping base

3. Keep cardboard shipping base under range to prevent damage to floor covering.

B Anti-tip bracket installation

! WARNING



Tip Over Hazard

A child or adult can tip the range and be killed.

Connect anti-tip bracket to rear range foot.

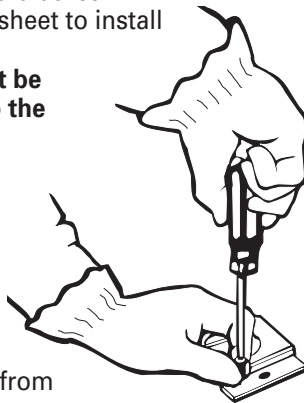
Reconnect the anti-tip bracket, if the range is moved.

Failure to follow these instructions can result in death or serious burns to children and adults.

Contact a qualified floor covering installer for the best procedure for drilling mounting holes through your type floor covering.

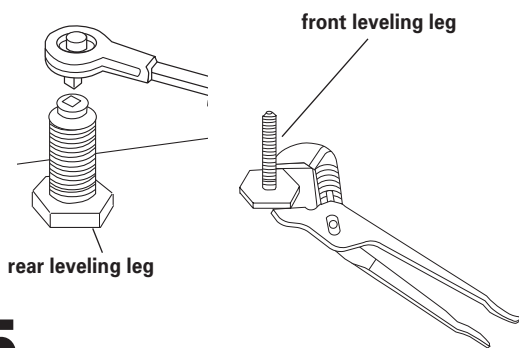
4. Use the anti-tip bracket template/instruction sheet to install the anti-tip bracket.
Anti-tip bracket must be anchored securely to the sub floor.

Depending on the thickness of your flooring, longer screws may be needed to anchor the bracket to the sub floor. Longer screws are available from your local hardware store.



C Operating position

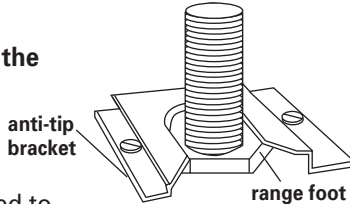
Before moving range across floor, check that range is still on cardboard shipping base to protect floor covering.



5. Remove cardboard shipping base from under range. Open broiler door. Use a 3/8" drive ratchet to lower rear leveling legs one-half turn. Use channel lock pliers to lower front leveling legs one-half turn.

6. Making sure the anti-tip bracket is installed:

- Look for the anti-tip bracket securely attached to floor.
- Slide range back so rear range foot is under anti-tip bracket.

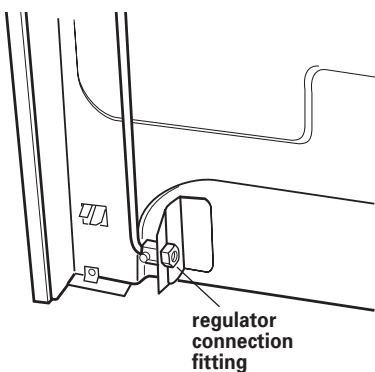


7. If installing the range in a mobile home, you MUST secure the range to the floor. Any method of securing the range is adequate as long as it conforms to the "Manufactured Home Construction and Safety Standard," Page 2.

8. Place rack in oven. Place level on rack, first side to side; then front to back. If range is not level, pull range forward until rear leveling leg is removed from the anti-tip bracket. Use 3/8" drive ratchet and channel lock pliers to adjust leveling legs up or down until range is level. Push range back into position. Check that rear leveling leg is engaged in anti-tip bracket.

Note: Oven must be level for satisfactory baking conditions.

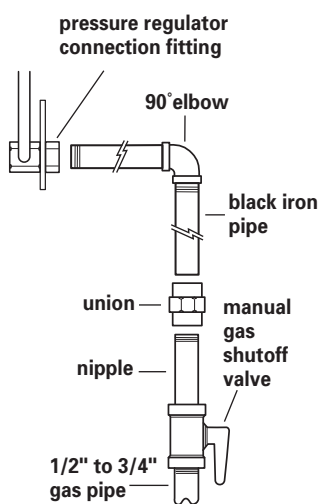
D Gas connection



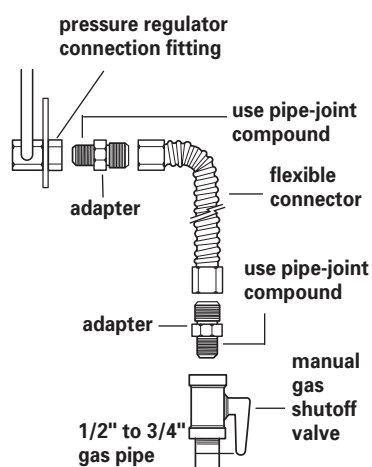
9. Assemble the flexible connector to the gas supply pipe to the pressure regulator connection fitting, using the adapter fittings provided with the flexible connector. Use pipe-joint compound made for use with L.P. gas to seal all pipe thread connections.

All connections must be wrench-tightened.

Typical rigid pipe connection



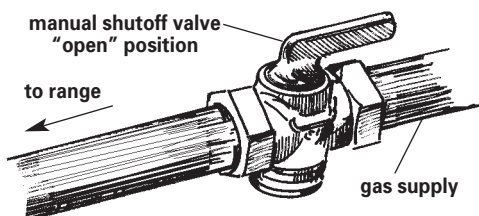
Typical flexible connection



A 1/2" male pipe thread is needed for connection to pressure regulator female pipe threads.

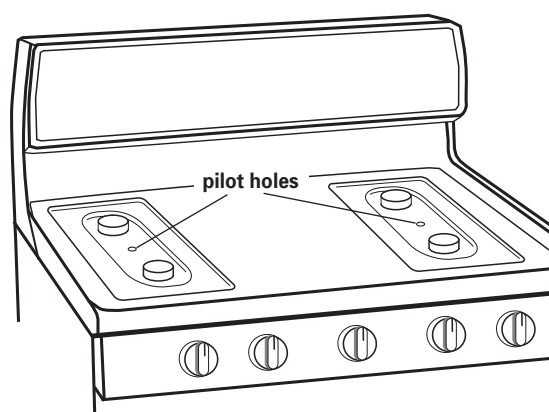
10. If a flexible appliance connector is used, be certain connector is not kinked.

11. Check that all control knobs are in the "OFF" position.



12. Open the manual shutoff valve in the gas supply line. Wait a few minutes for gas to move through the gas line.

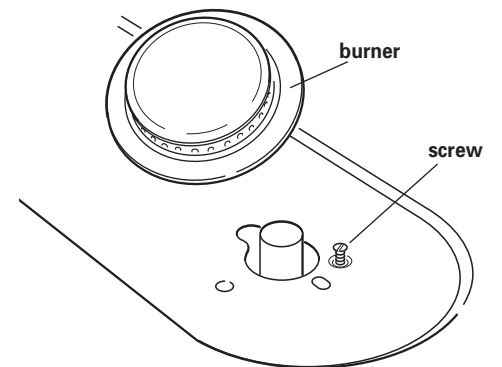
13. Use a brush and liquid detergent to test all gas connections. Bubbles around connections will indicate a leak. If a leak appears, shut off gas valve controls and tighten connections. Then check connections again. **Never test for gas leaks with a match or other flame.** Clean all detergent from gas connections. Close broiler door.



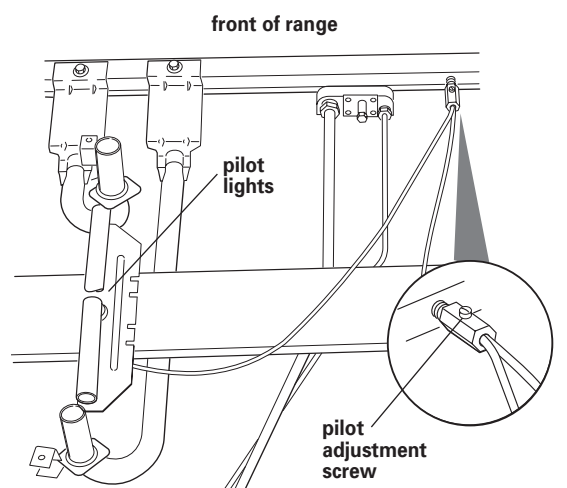
14. Light the burner pilots.

1. Remove burner grates.
2. Place a lit match through the small pilot holes in the cooktop located between front and rear burners.
3. After lighting, you must see a pilot flame in each pilot hole.

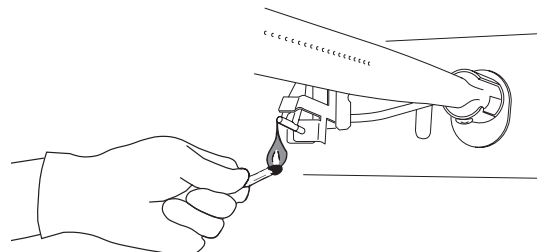
Note: The pilot flames should be 1/2" to 5/8" inch high.



15. If pilot needs adjusting, remove burner grates, burners and screws. Lift cooktop. Note: There is no cooktop support rod.



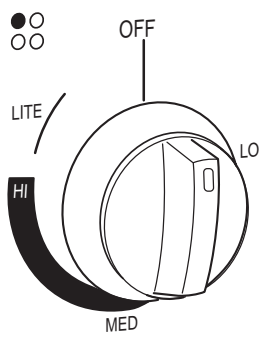
16. Adjust pilot adjustment screw until pilot flame tips are 1/2" to 5/8" high and centered in the pilot housings. If the flame is too high, carbon (soot) will form on underside of maintop.



17. Open broiler door. Hold a match to the opening in the top of the pilot area at the rear of the oven burner. No pilot adjustments are needed. Close broiler door.

E Check operation

Check operation of cooktop



18. Push in and turn each surface unit control knob to "LITE" position. The flame should light within 4 seconds. Turn control knob to desired setting after burner lights.

Check each cooktop burner for proper flame.

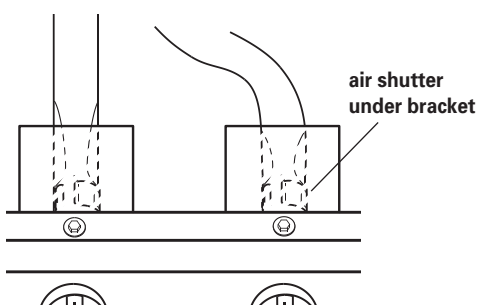
The small inner cone should have a very distinct blue flame 1/4" to 1/2" long. The outer cone is not as distinct as the inner cone. If the flame is noisy or blowing, it is getting too much air. If the flame is soft and lazy, it is not getting enough air. Turn each surface burner control knob to "OFF" position. Adjust air shutter if needed.



If pilot light does not stay lit, adjust pilot adjustment screw (see Step 15, Page 5).

If surface burners need adjusting:

Note: The manifold panel must be removed to access the air shutters.



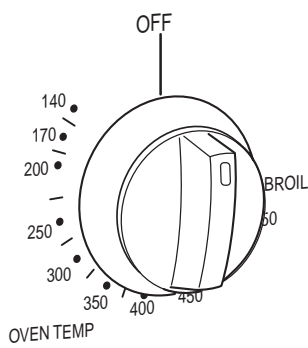
1. Adjust the air shutter for each burner by hand as needed. Close the air shutter to decrease the amount of air to the flame. Open the air shutter to increase the amount of air to the flame. Adjust the air shutter to the widest opening that will not cause the flame to lift or blow off of the burner.

2. Repeat the first part of Step 17 after adjusting the air shutters.

Replace manifold panel and knobs if removed to adjust air shutters.

Check operation of oven/broil burner

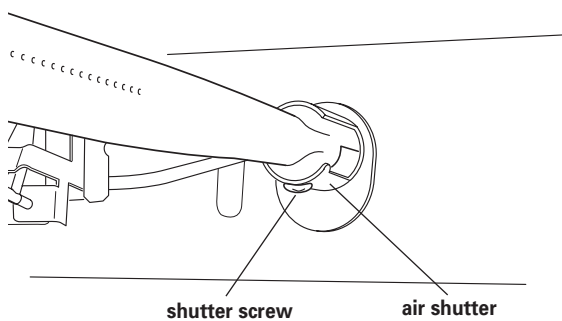
19. Open broiler drawer.



Push in and turn the oven control knob to "350°F." The oven pilot should now be larger with the flame burning against a small metal bulb. **The oven burner should light in 20-40 seconds; this delay is normal.** The oven valve requires a certain time before it will open and allow gas to flow.

The oven burner will burn until oven temperature has reached 350°F. At that temperature, the oven pilot should get smaller. After 20-40 seconds, the oven burner will begin to cycle on and off to maintain the 350°F temperature.

20. Check the oven burner for proper flame. The flame should be 1/2" long, with inner cone of bluish-green, and outer mantle of dark blue, and should be clean and soft in character. No yellow tips, blowing or lifting of flame should occur.



If oven flame needs adjusting:

Locate the air shutter near rear wall of broiler area. Loosen shutter screw and adjust the air shutter until the proper flame appears. Tighten shutter screw.

21. Close the broiler door. Turn the oven control knob to "OFF".

You have just finished installing your new range. To get the most efficient use from your range, read your Use & Care Guide. Keep Installation Instructions and Guide close to range for easy reference. The instructions will make installing the range in another home as easy as the first installation.

Gas conversions

Gas conversions (from Natural gas to L.P. gas; or from L.P. gas to Natural gas) must be done by a qualified installer.

WARNING



Fire Hazard

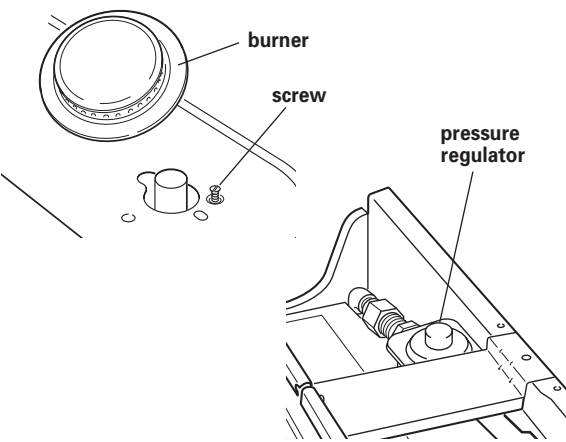
Shut off gas supply line valve.

Make all conversions before turning gas supply valve back on.

Failure to follow these instructions can result in explosion, fire or other injury.

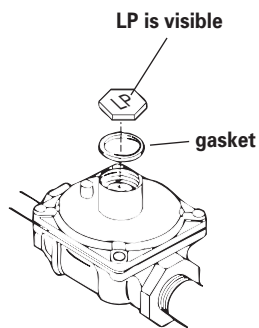
L.P. gas conversion

1. Complete installation sections A-C (Pages 4-5) before converting cooktop to L.P. gas. **Check that the manual shutoff valve in the gas supply line has been turned off.**



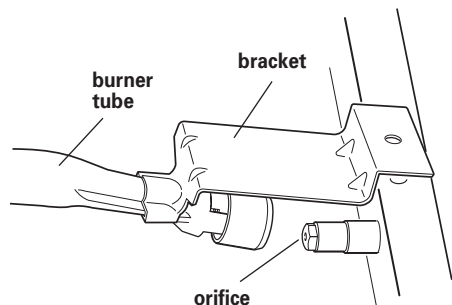
2. Remove burner grates, burners and screws. Lift cooktop. Note: There is no cooktop support rod.

Locate pressure regulator.

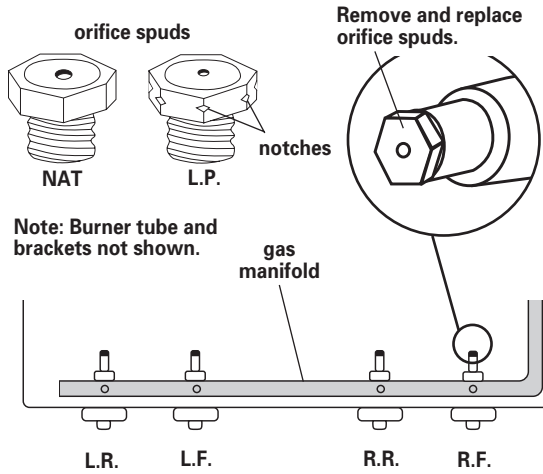


DO NOT REMOVE THE PRESSURE REGULATOR.

3. **Pressure regulator:** Remove the cap from the pressure regulator. Turn the cap over so that LP is visible. Replace the cap.



4. **Cooktop burners:** Check that the control knobs are in the "OFF" position. Remove all control knobs. Remove manifold panel. Lift front of bracket and push tube and bracket assembly back off orifice.

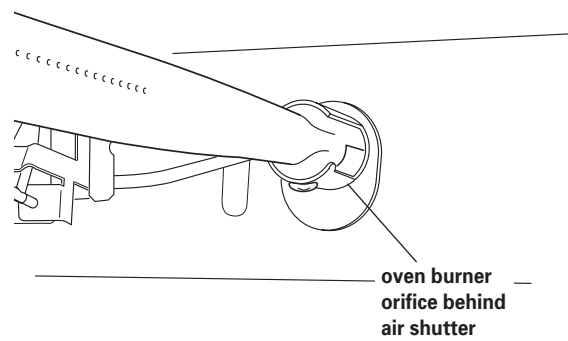


Note: Burner tube and brackets not shown.

5. Locate L.P. gas orifice spuds in literature package included with the range. All L.P. gas spuds are stamped with "65". Remove Natural gas orifice spuds using a 3/8" combination wrench. Install L.P. gas orifice spuds to replace the Natural gas orifice spuds.

Place Natural gas orifice spuds in plastic parts bag for future use and keep with literature package.

Reinstall burner tube and bracket assemblies. Do not lower cooktop.

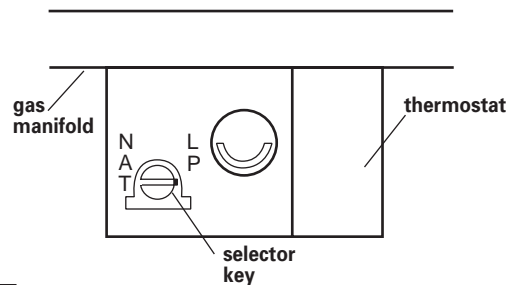


L.P. gas
decrease gas
decrease flame size



Natural gas
increase gas
increase flame size
pre-set at factory for Natural gas

6. **Oven burner:** Use 1/2" combination wrench to turn the orifice hood down snug onto pin (approximately 2 to 2-1/2 turns). **DO NOT OVERTIGHTEN.** The burner flame cannot be properly adjusted if this conversion is not made.



7. Locate selector key on oven thermostat and turn clockwise to the L.P. position.

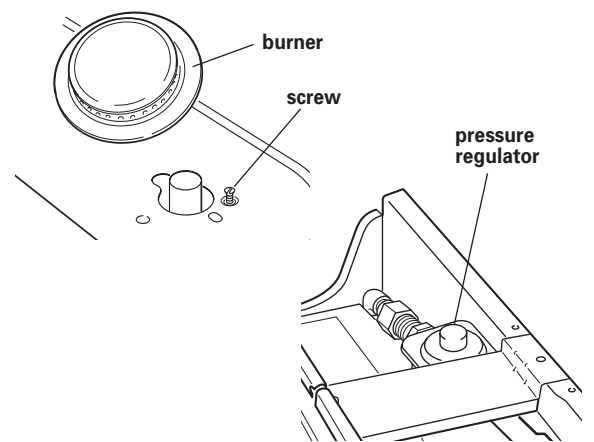
8. Complete section D, "Gas connection" Page 5.

9. Lower cooktop. Reinstall screws to secure burner tubes to cooktop. Reinstall burners and grates.

10. Check for proper flame. The small inner cone should have a very distinct blue flame 1/4" to 1/2" long. The outer cone is not as distinct as the inner cone. L.P. gas flames have a slightly yellow tip. If the flame is noisy or blowing, it is getting too much air. If the flame is soft and lazy, it is not getting enough air. If burners need adjusting, see section E, "Check operation," Page 6.

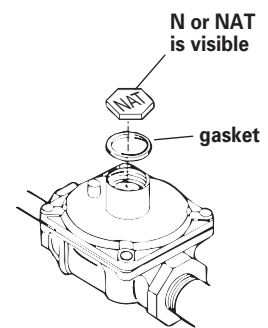
Natural gas conversion

1. Check that the manual shutoff valve in the gas supply line has been turned off.



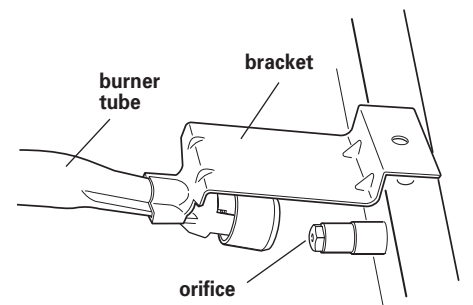
2. Remove burner grates, burners and screws. Lift cooktop. Note: There is no cooktop support rod.

Locate pressure regulator.

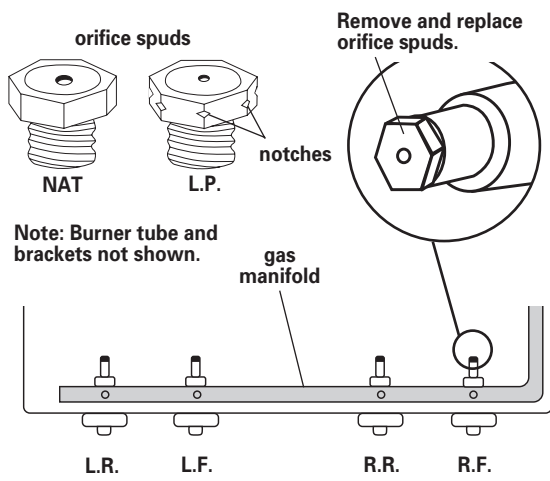


DO NOT REMOVE THE PRESSURE REGULATOR.

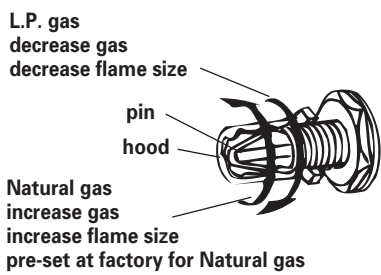
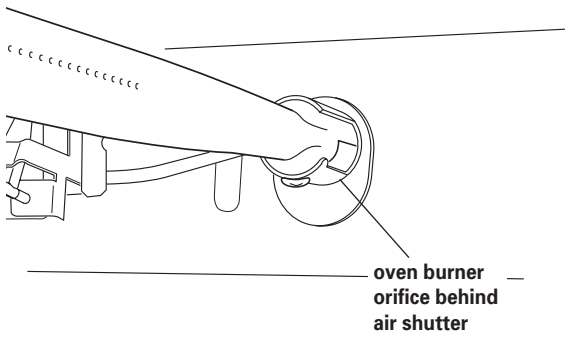
3. **Pressure regulator:** Remove the cap from the pressure regulator. Turn the cap over so that N or NAT is visible. Replace the cap.



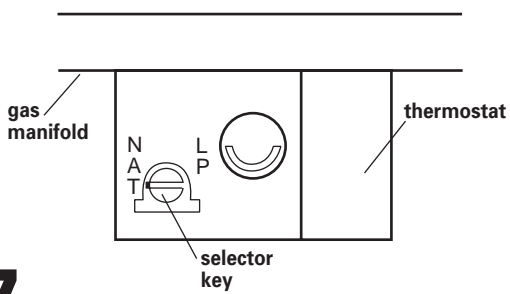
4. **Cooktop burners:** Check that the control knobs are in the "OFF" position. Remove all control knobs. Remove manifold panel. Lift front of bracket and push tube and bracket assembly back off orifice.



5. Locate Natural gas orifice spuds in literature package included with the range. All Natural gas spuds are stamped with "145". Remove L.P. gas orifice spuds using a 3/8" combination wrench. Install Natural gas orifice spuds to replace the L.P. gas orifice spuds. Place L.P. gas orifice spuds in plastic parts bag for future use and keep with literature package. Reinstall burner tube and bracket assemblies. Do not lower cooktop.



6. **Oven burner:** Use 1/2" combination wrench to loosen the orifice hood away from the pin (approximately 2 to 2-1/2 turns). The burner flame cannot be properly adjusted if this conversion is not made.



7. Locate selector key on oven thermostat and turn counterclockwise to the Natural position.

8. Lower cooktop. Reinstall screws to secure burner tubes to cooktop. Reinstall burners and grates.

9. Complete section E "Check operation," Page 6. Check for proper flame. Natural gas flames do not have yellow tips.

If range does not operate:

- Check that gas line is turned on.
- See Use and Care Guide for troubleshooting list.

If you need assistance:

If you have questions about operating, cleaning or maintaining your range:

- Refer to Use and Care Guide.
- Call the Consumer Assistance Center. Check your Use and Care Guide for a toll-free number to call or call the dealer from whom you purchased this range. The dealer is listed in the Yellow Pages of your phone directory under "Appliances — Household — Major — Service and Repair."

If you need service:

Maintain the quality built into your range by calling an authorized service company.

To obtain the name and number of an authorized service company:

- Contact the dealer from whom you purchased your range; or
- Look in the Yellow Pages of your telephone directory under "Appliances — Household — Major — Service and Repair;" or
- Call the Consumer Assistance Center. The toll-free number is listed in your Use and Care Guide.

When you call, you will need:

- The range model number.
- The range serial number.

Both numbers are listed on the model/serial rating plate located on the frame behind the broiler door.

Moving the range:

! WARNING



Tip Over Hazard

A child or adult can tip the range and be killed.

Connect anti-tip bracket to rear range foot.

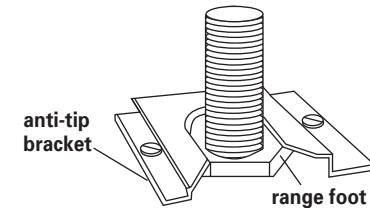
Reconnect the anti-tip bracket, if the range is moved.

Failure to follow these instructions can result in death or serious burns to children and adults.

When moving range, slide range onto cardboard or hardboard to prevent damaging the floor covering.

If removing the range is necessary for cleaning or maintenance:

1. Shut off the gas supply to the range.
2. If necessary, slide range forward, away from the wall, just far enough to disconnect the gas supply line.
3. Slide range forward to complete cleaning or maintenance.



4. **Making sure the anti-tip bracket is installed:**
 - Look for the anti-tip bracket securely attached to floor.
 - Slide range back so rear range foot is under anti-tip bracket.
5. Check that range is level.
6. Reconnect gas line to range and check for leaks.

Free Manuals Download Website

<http://myh66.com>

<http://usermanuals.us>

<http://www.somanuals.com>

<http://www.4manuals.cc>

<http://www.manual-lib.com>

<http://www.404manual.com>

<http://www.luxmanual.com>

<http://aubethermostatmanual.com>

Golf course search by state

<http://golfingnear.com>

Email search by domain

<http://emailbydomain.com>

Auto manuals search

<http://auto.somanuals.com>

TV manuals search

<http://tv.somanuals.com>