

# INSTALLATION INSTRUCTIONS

## 30" (76.2 CM) SLIDE-IN GAS RANGES

# INSTRUCTIONS POUR L'INSTALLATION DES CUISINIÈRES

## À GAZ ENCASTRABLES DE 30" (76,2 CM)

### Table of Contents

<b>RANGE SAFETY</b> .....	<b>2</b>
<b>INSTALLATION REQUIREMENTS</b> .....	<b>4</b>
Tools and Parts .....	4
Location Requirements.....	4
Electrical Requirements.....	7
Gas Supply Requirements.....	7
<b>INSTALLATION INSTRUCTIONS</b> .....	<b>9</b>
Unpack Range .....	9
Install Anti-Tip Bracket.....	9
Adjust Leveling Legs.....	10
Level Range .....	11
Make Gas Connection .....	11
Verify Anti-Tip Bracket Is Installed and Engaged.....	13
Electronic Ignition System .....	13
Remove/Replace Drawer .....	14
Oven Door.....	14
Complete Installation .....	15
<b>GAS CONVERSIONS</b> .....	<b>16</b>
LP Gas Conversion .....	16
Natural Gas Conversion.....	19
Adjust Flame Height.....	22

### Table des matières

<b>SÉCURITÉ DE LA CUISINIÈRE</b> .....	<b>24</b>
<b>EXIGENCES D'INSTALLATION</b> .....	<b>26</b>
Outils et pièces .....	26
Exigences d'emplacement .....	26
Spécifications électriques.....	29
Spécifications de l'alimentation en gaz.....	29
<b>INSTRUCTIONS D'INSTALLATION</b> .....	<b>31</b>
Déballage de la cuisinière.....	31
Installation de la bride antibasculement.....	31
Réglage des pieds de nivellement.....	32
Réglage de l'aplomb de la cuisinière.....	33
Raccordement au gaz.....	33
Vérifier que la bride antibasculement est bien installée et engagée .....	35
Système d'allumage électronique .....	36
Dépose et réinstallation du tiroir.....	37
Porte du four .....	37
Achever l'installation .....	38
<b>CONVERSIONS POUR CHANGEMENT DE GAZ</b> .....	<b>39</b>
Conversion pour l'alimentation au propane .....	39
Conversion pour l'alimentation au gaz naturel.....	43
Réglage de la taille des flammes .....	46

**IMPORTANT:**

**Installer:** Leave installation instructions with the homeowner.

**Homeowner:** Keep installation instructions for future reference.

**IMPORTANT :**

**Installateur :** Remettre les instructions d'installation au propriétaire.

**Propriétaire :** Conserver les instructions d'installation pour référence ultérieure.

**W10665256D**

# RANGE SAFETY

## Your safety and the safety of others are very important.

We have provided many important safety messages in this manual and on your appliance. Always read and obey all safety messages.



This is the safety alert symbol.

This symbol alerts you to potential hazards that can kill or hurt you and others.

All safety messages will follow the safety alert symbol and either the word "DANGER" or "WARNING." These words mean:

**⚠ DANGER**

You can be killed or seriously injured if you don't immediately follow instructions.

**⚠ WARNING**

You can be killed or seriously injured if you don't follow instructions.

All safety messages will tell you what the potential hazard is, tell you how to reduce the chance of injury, and tell you what can happen if the instructions are not followed.

**WARNING: If the information in this manual is not followed exactly, a fire or explosion may result causing property damage, personal injury or death.**

- Do not store or use gasoline or other flammable vapors and liquids in the vicinity of this or any other appliance.
- **WHAT TO DO IF YOU SMELL GAS:**
  - Do not try to light any appliance.
  - Do not touch any electrical switch.
  - Do not use any phone in your building.
  - Immediately call your gas supplier from a neighbor's phone. Follow the gas supplier's instructions.
  - If you cannot reach your gas supplier, call the fire department.
- Installation and service must be performed by a qualified installer, service agency or the gas supplier.

**WARNING:** Gas leaks cannot always be detected by smell.

Gas suppliers recommend that you use a gas detector approved by UL or CSA.

For more information, contact your gas supplier.

If a gas leak is detected, follow the "What to do if you smell gas" instructions.

**IMPORTANT:** Do not install a ventilation system that blows air downward toward this gas cooking appliance. This type of ventilation system may cause ignition and combustion problems with this gas cooking appliance resulting in personal injury or unintended operation.

In the State of Massachusetts, the following installation instructions apply:

- Installations and repairs must be performed by a qualified or licensed contractor, plumber, or gasfitter qualified or licensed by the State of Massachusetts.
- If using a ball valve, it shall be a T-handle type.
- A flexible gas connector, when used, must not exceed 3 feet.

## **⚠ WARNING**

### **Tip Over Hazard**

**A child or adult can tip the range and be killed.**

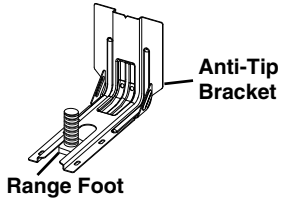
**Install anti-tip bracket to floor or wall per installation instructions.**

**Slide range back so rear range foot is engaged in the slot of the anti-tip bracket.**

**Re-engage anti-tip bracket if range is moved.**

**Do not operate range without anti-tip bracket installed and engaged.**

**Failure to follow these instructions can result in death or serious burns to children and adults.**



**To verify the anti-tip bracket is installed and engaged:**

- Slide range forward.
- Look for the anti-tip bracket securely attached to floor or wall.
- Slide range back so rear range foot is under anti-tip bracket.
- See installation instructions for details.

# INSTALLATION REQUIREMENTS

## Tools and Parts

Gather the required tools and parts before starting installation. Read and follow the instructions provided with any tools listed here.

### Tools Needed

- Tape measure
- Phillips screwdriver
- Flat-blade screwdriver
- 1/8" (3 mm) flat-blade screwdriver
- Level
- Drill
- Wrench or pliers
- Pipe wrench
- 15/16" (2.4 cm) combination wrench
- 1/8" (3.2 mm) drill bit (for wood floors)
- Marker or pencil
- Pipe-joint compound resistant to LP gas
- 3/16" (4.8 mm) carbide-tipped masonry drill bit (for concrete/ceramic floors)
- Noncorrosive leak-detection solution

### For LP/Natural Gas Conversions

- 5/8" (1.6 cm) combination wrench
- 3/8" (1 cm) nut driver
- 9/32" (7 mm) nut driver
- Masking tape

### Parts Supplied

Check that all parts are included.

- LP/Natural Gas Conversion Kit
- #10 x 1 5/8" (4.1 cm) screws (for mounting anti-tip bracket) (2)
- Anti-tip bracket (inside oven cavity)

Anti-tip bracket must be securely mounted to the back wall or floor. Thickness of flooring may require longer screws to anchor bracket to subfloor. Longer screws are available from your local hardware store.

### For Models:

		KSGG700E KSGB900E MGS8880D	
	WEG730H0D	WEG760H0D	JGS1450D
<b>Burner Caps</b>	5	5	4
<b>Burner Grates</b>	2	2	3
<b>Oven Racks</b>	2	3	3

### Parts Needed

Check local codes and consult gas supplier. Check existing gas supply and electrical supply. See "Electrical Requirements" and "Gas Supply Requirements" sections.

**IMPORTANT:** When the range is used under microwave models: JMC82808CB-0, JMV9196CB-0, or YJMV9196CB-0, the Door Baffle Plate Part Number W10737014 must be ordered and used. Please reference the "Accessories" section of the User Guide for contact information.

### Optional Parts

To purchase these or any other accessories, please reference the "Accessories" section of the User Guide for contact information.

#### Side Trim Kits:

- 5/8" (1.7 cm) White - Order Part Number W10675027
- 5/8" (1.7 cm) Black - Order Part Number W10675026
- 5/8" (1.7 cm) Stainless Steel - Order Part Number W10675028
- 1 1/8" (2.9 cm) White - Order Part Number W10731885
- 1 1/8" (2.9 cm) Black - Order Part Number W10731886
- 1 1/8" (2.9 cm) Stainless Steel - Order Part Number W10731887

#### Backsplash Kits:

- High 6" (15.2 cm) White - Order Part Number W10655448
- High 6" (15.2 cm) Black - Order Part Number W10655449
- High 6" (15.2 cm) Stainless Steel - Order Part Number W10655450

## Location Requirements

**IMPORTANT:** Observe all governing codes and ordinances. Do not obstruct flow of combustion and ventilation air.

- It is the installer's responsibility to comply with installation clearances specified on the model/serial/rating plate. The model/serial/rating plate is located behind the oven door on the top right-hand side of the oven frame.
- The range should be located for convenient use in the kitchen.
- Recessed installations must provide complete enclosure of the sides and rear of the range.
- To eliminate the risk of burns or fire by reaching over the heated surface units, cabinet storage space located above the surface units should be avoided. If cabinet storage is to be provided, the risk can be reduced by installing a range hood or microwave hood combination that projects horizontally a minimum of 5" (12.7 cm) beyond the bottom of the cabinets.
- All openings in the wall or floor where range is to be installed must be sealed.
- Cabinet opening dimensions that are shown must be used. Given dimensions are minimum clearances.
- The anti-tip bracket must be installed. To install the anti-tip bracket shipped with the range, see "Install Anti-Tip Bracket" section.
- Grounded electrical supply is required. See "Electrical Requirements" section.
- Proper gas supply connection must be available. See "Gas Supply Requirements" section.
- Contact a qualified floor covering installer to check that the floor covering can withstand at least 200°F (93°C).
- Use an insulated pad or 1/4" (0.64 cm) plywood under range if installing range over carpeting.

**IMPORTANT:** To avoid damage to your cabinets, check with your builder or cabinet supplier to make sure that the materials used will not discolor, delaminate or sustain other damage. This oven has been designed in accordance with the requirements of UL and CSA International and complies with the maximum allowable wood cabinet temperatures of 194°F (90°C).

## Mobile Home - Additional Installation Requirements

The installation of this range must conform to the Manufactured Home Construction and Safety Standard, Title 24 CFR, Part 3280 (formerly the Federal Standard for Mobile Home Construction and Safety, Title 24, HUD Part 280). When such standard is not applicable, use the Standard for Manufactured Home Installations, ANSI A225.1/NFPA 501A or with local codes.

In Canada, the installation of this range must conform with the current standards CAN/CSA-A240-latest edition, or with local codes.

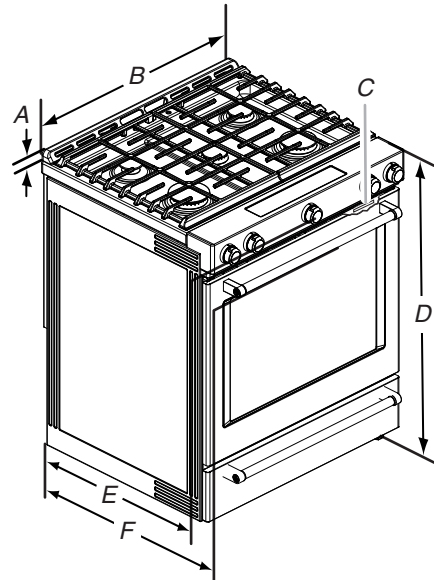
### Mobile Home Installations Require:

- When this range is installed in a mobile home, it must be secured to the floor during transit. Any method of securing the range is adequate as long as it conforms to the standards listed above.

## Product Dimensions

This manual covers several models. Your model may appear different from the models depicted. Dimensions given are maximum dimensions across all models.

### Model KSGB900



A.  $1\frac{3}{16}$ " (3.0 cm) height from cooktop to top of vent

B.  $29\frac{7}{8}$ " (75.9 cm)

C. Model/serial/rating plate (located behind the oven door on the top right-hand side of the oven frame)

D. 36" (91.4 cm) height to top of cooktop edge with leveling legs screwed in all the way\*

E.  $28\frac{5}{16}$ " (71.9 cm) max. depth from front of console to back of range

F.  $28\frac{7}{8}$ " (73.3 cm) max. depth from handle to back of range

**IMPORTANT:** Range must be level after installation. Follow the instructions in the "Level Range" section. Using the cooktop as a reference for leveling the range is not recommended.

\*Range can be raised approximately 1" (2.5 cm) by adjusting the leveling legs.

## Cabinet Dimensions

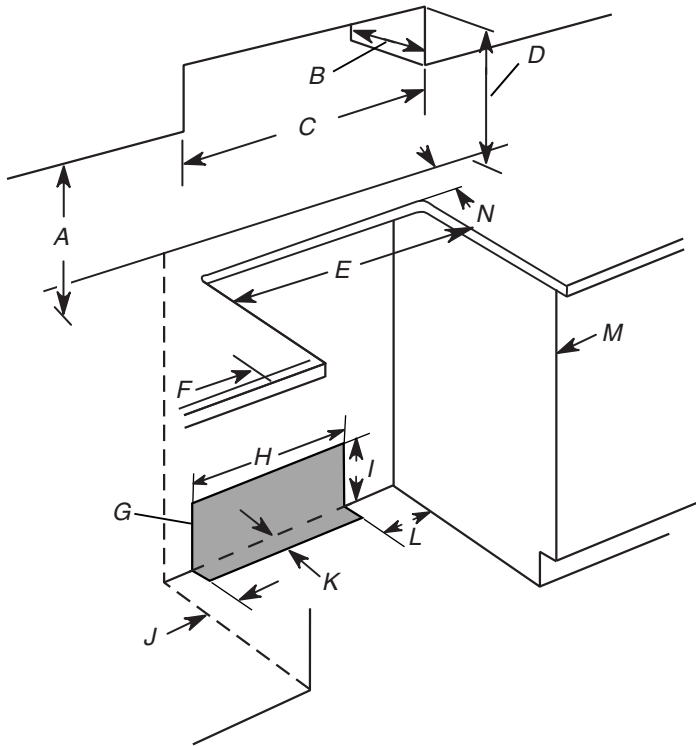
Cabinet opening dimensions shown are for 25" (64.0 cm) countertop depth, 24" (61.0 cm) base cabinet depth and 36" (91.4 cm) countertop height.

**IMPORTANT:** If installing a range hood or microwave hood combination above the range, follow the range hood or microwave hood combination installation instructions for dimensional clearances above the cooktop surface.

Range may be installed next to combustible walls with zero clearance.

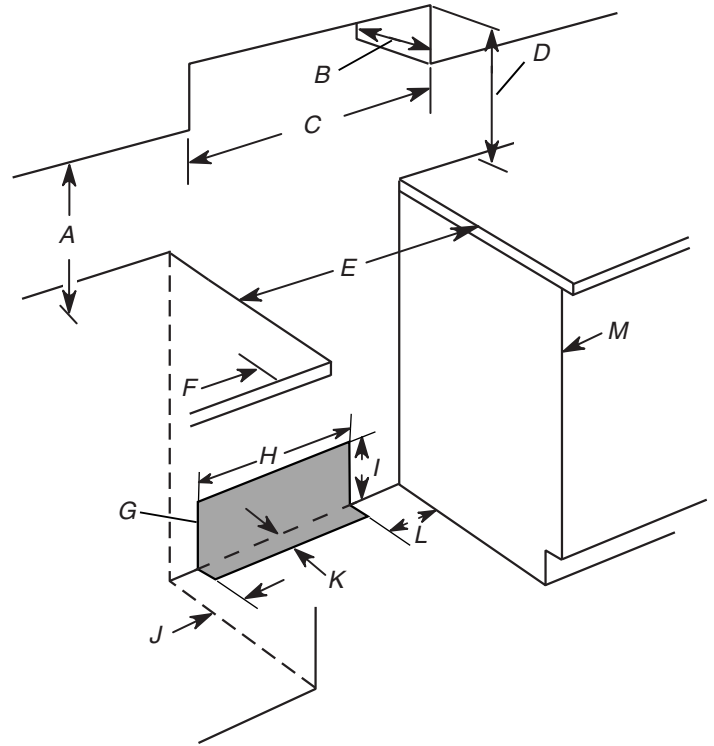
**NOTE:** When installed in a slide-in cutout, the front of oven door may protrude beyond the base cabinet.

### Slide-In Cutout



- A. 18" (45.7 cm) upper side cabinet to countertop
- B. 13" (33 cm) max. upper cabinet depth
- C. 30" (76.2 cm) min. opening width
- D. For minimum clearance to top of cooktop, see NOTE\*.
- E. 30" (76.2 cm) min. opening width
- F. 3" (7.6 cm) min. clearance from both sides of range to side wall or other combustible material
- G. The shaded area is recommended for installation of rigid gas pipe and grounded outlet.
- H. 13 1/8" (33.3 cm)
- I. 7 1/16" (19.5 cm)
- J. 4 13/16" (12.2 cm)
- K. 3 1/16" (9.4 cm) plus measurement of N
- L. 12" (30.5 cm)
- M. Cabinet door or hinges should not extend into the cutout.
- N. Remaining counter depth should not exceed 2 1/4" (5.7 cm).

### Freestanding Cutout



- A. 18" (45.7 cm) upper side cabinet to countertop
- B. 13" (33 cm) max. upper cabinet depth
- C. 30" (76.2 cm) min. opening width
- D. For minimum clearance to top of cooktop, see NOTE\*.
- E. 30" (76.2 cm) min. opening width
- F. 3" (7.6 cm) min. clearance from both sides of range to side wall or other combustible material
- G. The shaded area is recommended for installation of rigid gas pipe and grounded outlet.
- H. 13 1/8" (33.3 cm)
- I. 7 1/16" (19.5 cm)
- J. 4 13/16" (12.2 cm)
- K. 3 1/16" (9.4 cm)
- L. 12" (30.5 cm)
- M. Cabinet door or hinges should not extend into the cutout.

**\*NOTE:** 24" (61.0 cm) minimum when bottom of wood or metal cabinet is shielded by not less than 1/4" (0.64 cm) flame retardant millboard covered with not less than No. 28 MSG sheet steel, 0.015" (0.4 mm) stainless steel, 0.024" (0.6 mm) aluminum or 0.020" (0.5 mm) copper.

30" (76.2 cm) minimum clearance between the top of the cooking platform and the bottom of an uncovered wood or metal cabinet.

## Electrical Requirements

### **⚠ WARNING**



#### Electrical Shock Hazard

Plug into a grounded 3 prong outlet.

Do not remove ground prong.

Do not use an adapter.

Do not use an extension cord.

Failure to follow these instructions can result in death, fire, or electrical shock.

**IMPORTANT:** The range must be electrically grounded in accordance with local codes and ordinances, or in the absence of local codes, with the National Electrical Code, ANSI/NFPA 70 or Canadian Electrical Code, CSA C22.1.

This range is equipped with an electronic ignition system that will not operate properly if plugged into an outlet that is not properly polarized.

If codes permit and a separate ground wire is used, it is recommended that a qualified electrical installer determine that the ground path is adequate.

A copy of the above code standards can be obtained from:

National Fire Protection Association  
1 Batterymarch Park  
Quincy, MA 02169-7471

CSA International  
8501 East Pleasant Valley Road  
Cleveland, OH 44131-5575

- A 120 volt, 60 Hz., AC only, 15-amp fused, ground and polarized electrical circuit is required. A time-delay fuse or circuit breaker is also recommended. It is recommended that a separate circuit serving only this range be provided.
- Electronic ignition systems operate within wide voltage limits, but proper grounding and polarity are necessary. Check that the outlet provides 120-volt power and is correctly grounded.
- This gas range is not required to be plugged into a GFCI (Ground-Fault Circuit Interrupter) outlet. It is recommended that you not plug an electric spark ignition gas range or any other major appliance into a GFCI wall outlet as it may cause the GFCI to trip during normal cycling.
- Performance of this range will not be affected if operated on a GFCI-protected circuit. However, occasional nuisance tripping of the GFCI breaker is possible due to the normal operating nature of electronic gas ranges.
- The tech sheet and wiring diagram are located on the back of the range in a plastic bag.

**NOTE:** The metal chassis of the range must be grounded in order for the control panel to work. If the metal chassis of the range is not grounded, no keypads will operate. Check with a qualified electrician if you are in doubt as to whether the metal chassis of the range is grounded.

## Gas Supply Requirements

### **⚠ WARNING**



#### Explosion Hazard

Use a new CSA International approved gas supply line.

Install a shut-off valve.

Securely tighten all gas connections.

If connected to LP, have a qualified person make sure gas pressure does not exceed 14" (36 cm) water column.

Examples of a qualified person include:

licensed heating personnel,  
authorized gas company personnel, and  
authorized service personnel.

Failure to do so can result in death, explosion, or fire.

Observe all governing codes and ordinances.

**IMPORTANT:** This installation must conform with all local codes and ordinances. In the absence of local codes, installation must conform with American National Standard, National Fuel Gas Code ANSI Z223.1 - latest edition or CAN/CGA B149 - latest edition.

**IMPORTANT:** Leak testing of the range must be conducted according to the manufacturer's instructions.

### Type of Gas

#### Natural Gas:

This range is design-certified by CSA International for use with Natural gas or, after proper conversion, for use with LP gas.

- This range is factory-set for use with Natural gas. See "Gas Conversions" section. The model/serial/rating plate located on the oven frame behind the top right-hand side of the oven door has information on the types of gas that can be used. If the types of gas listed do not include the type of gas available, check with the local gas supplier.

#### LP Gas Conversion:

Conversion must be done by a qualified service technician.

No attempt shall be made to convert the appliance from the gas specified on the model/serial/rating plate for use with a different gas without consulting the serving gas supplier. See "Gas Conversions" section.

### Gas Supply Line

- Provide a gas supply line of 3/4" (1.9 cm) rigid pipe to the range location. A smaller size pipe on longer runs may result in insufficient gas supply. With LP gas, piping or tubing size can be 1/2" (1.3 cm) minimum. Usually, LP gas suppliers determine the size and materials used in the system.

**NOTE:** Pipe-joint compounds that resist the action of LP gas must be used. Do not use TEFLON<sup>®†</sup> tape.

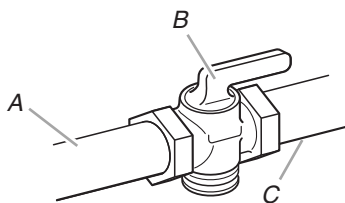
†TEFLON is a registered trademark of E.I. Du Pont De Nemours and Company.

### Flexible Metal Appliance Connector:

- If local codes permit, a new CSA design-certified, 4 to 5 ft (122 to 152.4 cm) long, ½" or ¾" (1.3 or 1.9 cm) I.D. (inside diameter), flexible metal appliance connector may be used for connecting range to the gas supply line.



- A ½" (1.3 cm) male pipe thread is needed for connection to the female pipe threads of the inlet to the appliance pressure regulator.
- Do not kink or damage the flexible metal tubing when moving the range.
- Must include a shutoff valve:  
The supply line must be equipped with a manual shutoff valve. This valve should be located in the same room but external to the range opening, such as an adjacent cabinet. It should be in a location that allows ease of opening and closing. Do not block access to shutoff valve. The valve is for turning on or shutting off gas to the range.



A. Gas supply line  
B. Shutoff valve "open" position  
C. To range

---

### Gas Pressure Regulator

---

The gas pressure regulator supplied with this range must be used. The inlet pressure to the regulator should be as follows for proper operation:

#### Natural Gas:

Minimum pressure: 5" WCP

Maximum pressure: 14" WCP

#### LP Gas:

Minimum pressure: 11" WCP

Maximum pressure: 14" WCP

Contact local gas supplier if you are not sure about the inlet pressure.

---

### Burner Input Requirements

---

Input ratings shown on the model/serial/rating plate are for elevations up to 2,000 ft (609.6 m).

For elevations above 2,000 ft (609.6 m), ratings are reduced at a rate of 4% for each 1,000 ft (304.8 m) above sea level (not applicable for Canada).

---

### Gas Supply Pressure Testing

---

Gas supply pressure for testing regulator must be at least 1" water column pressure above the manifold pressure shown on the model/serial/rating plate.

#### Line Pressure Testing Above ½ psi Gauge (14" WCP)

The range and its individual shutoff valve must be disconnected from the gas supply piping system during any pressure testing of that system at test pressures in excess of ½ psi (3.5 kPa).

#### Line Pressure Testing at ½ psi Gauge (14" WCP) or Lower

The range must be isolated from the gas supply piping system by closing its individual manual shutoff valve during any pressure testing of the gas supply piping system at test pressures equal to or less than ½ psi (3.5 kPa).



# INSTALLATION INSTRUCTIONS

## Unpack Range

### **⚠️ WARNING**

#### **Excessive Weight Hazard**

**Use two or more people to move and install range.**  
**Failure to do so can result in back or other injury.**

1. Remove shipping materials, tape and film from the range. Keep cardboard bottom under range. Do not dispose of anything until the installation is complete.
2. Remove oven racks and parts package from oven and shipping materials.
3. To remove cardboard bottom, first take 4 cardboard corners from the carton. Stack one cardboard corner on top of another. Repeat with the other 2 corners. Place them lengthwise on the floor behind the range to support the range when it is laid on its back.
4. Using 2 or more people, firmly grasp the range and gently lay it on its back on the cardboard corners.
5. Remove cardboard bottom.

The leveling legs can be adjusted while the range is on its back. See the "Adjust Leveling Legs" section.

**NOTE:** To place range back up into a standing position, put a sheet of cardboard or hardboard on the floor in front of range to protect the flooring. Using 2 or more people, stand range back up onto the cardboard or hardboard.

## Install Anti-Tip Bracket

### **⚠️ WARNING**



#### **Tip Over Hazard**

**A child or adult can tip the range and be killed.**

**Install anti-tip bracket to floor or wall per installation instructions.**

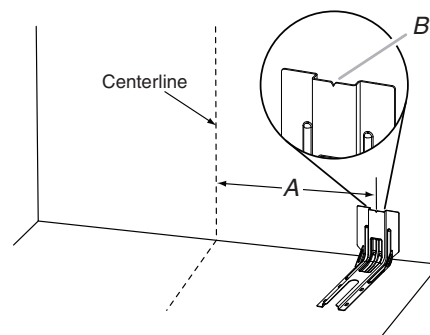
**Slide range back so rear range foot is engaged in the slot of the anti-tip bracket.**

**Re-engage anti-tip bracket if range is moved.**

**Do not operate range without anti-tip bracket installed and engaged.**

**Failure to follow these instructions can result in death or serious burns to children and adults.**

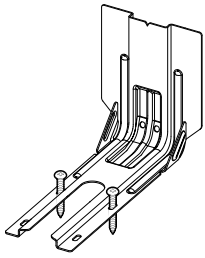
1. Remove the anti-tip bracket from the inside of the oven.
2. Determine which mounting method to use: floor or wall.  
If you have a stone or masonry floor, you can use the wall mounting method. If you are installing the range in a mobile home, you must secure the range to the floor.  
This anti-tip bracket and screws can be used with wood or metal studs.
3. Determine and mark centerline of the cutout space. The mounting bracket can be installed on either the left-hand or right-hand side of the cutout. Position mounting bracket against the wall in the cutout so that the V-notch of the bracket is 12½" (31.8 cm) from centerline, as shown.



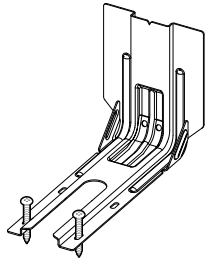
A. 12½" (31.8 cm)  
B. Bracket V-notch

- Drill two  $\frac{1}{8}$ " (3 mm) holes that correspond to the bracket holes of the determined mounting method. See the following illustrations.

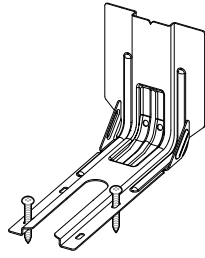
#### Floor Mounting



Rear position

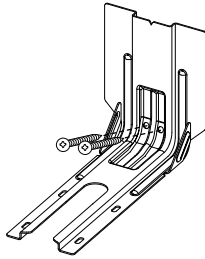


Front position

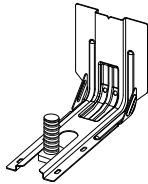


Diagonal (2 options)

#### Wall Mounting



- Using the two #10 x  $1\frac{5}{8}$ " (4.1 cm) Phillips-head screws provided, mount anti-tip bracket to the wall or floor.
- Move range close enough to opening to allow for final electrical connections. Remove shipping base, cardboard or hardboard from under range.
- Move range into its final location, making sure rear leveling leg slides into anti-tip bracket.



- Move range forward onto shipping base, cardboard or hardboard to continue installing the range, using the following installation instructions.

## Adjust Leveling Legs

- If range height adjustment is necessary, use a wrench or pliers to loosen the 4 leveling legs.

This may be done with the range on its back or with the range supported on 2 legs after the range has been placed back to a standing position.

**NOTE:** To place range back up into a standing position, put a sheet of cardboard or hardboard in front of range. Using 2 or more people, stand range back up onto the cardboard or hardboard.

## ⚠ WARNING



### Tip Over Hazard

**A child or adult can tip the range and be killed.**

**Install anti-tip bracket to floor or wall per installation instructions.**

**Slide range back so rear range foot is engaged in the slot of the anti-tip bracket.**

**Re-engage anti-tip bracket if range is moved.**

**Do not operate range without anti-tip bracket installed and engaged.**

**Failure to follow these instructions can result in death or serious burns to children and adults.**

- Measure the distance from the top of the counter to the floor.
- Measure the distance from the top of the cooktop to the bottom of the leveling legs. This distance should be the same. If it is not, adjust the leveling legs to the correct height. The leveling legs can be loosened to add up to a maximum of 1" (2.5 cm). A minimum of  $\frac{3}{16}$ " (5 mm) is needed to engage the anti-tip bracket.

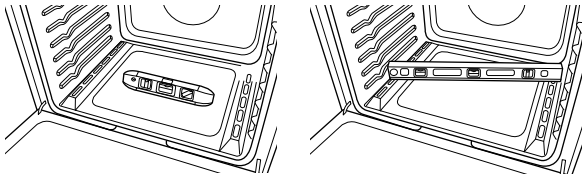
**NOTE:** If height adjustment is made when range is standing, tilt the range back to adjust the front legs, and then tilt forward to adjust the rear legs.

- When the range is at the correct height, check that there is adequate clearance under the range for the anti-tip bracket. Before sliding range into its final location, check that the anti-tip bracket will slide under the range and onto the rear leveling leg prior to anti-tip bracket installation.

**NOTE:** If a Trim Kit will be used, the top of the cooktop should be higher than the counter. See the Installation Instructions included with the Trim Kit for the correct height.

## Level Range

1. Place level on the oven bottom, as indicated in one of the two figures below, depending on the size of the level. Check with the level side to side and front to back.



2. If range is not level, use a wrench or pliers to adjust leveling legs up or down until the range is level.

**NOTE:** Range must be level for satisfactory baking performance and best cleaning results using AquaLift® Self-Clean Technology.

## Make Gas Connection

### **WARNING**



#### Explosion Hazard

Use a new CSA International approved gas supply line.

Install a shut-off valve.

Securely tighten all gas connections.

If connected to LP, have a qualified person make sure gas pressure does not exceed 14" (36 cm) water column.

Examples of a qualified person include:  
licensed heating personnel,  
authorized gas company personnel, and  
authorized service personnel.

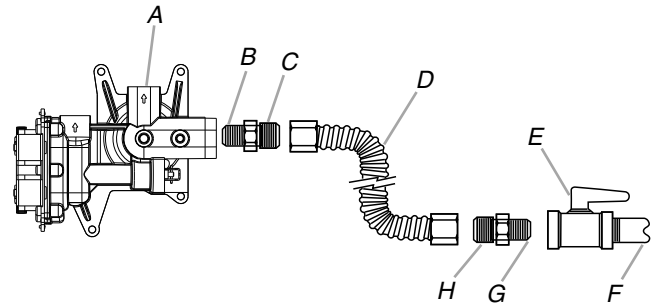
Failure to do so can result in death, explosion, or fire.

This range is factory-set for use with Natural gas. To use this range with LP gas, see the "Gas Conversions" section before connecting this range to the gas supply. Gas conversions from Natural gas to LP gas or from LP gas to Natural gas must be done by a qualified installer.

#### Typical Flexible Connection

1. Apply pipe-joint compound made for use with LP gas to the smaller thread ends of the flexible connector adapters. See B and G in the following illustration.
2. Attach one adapter to the gas pressure regulator and the other adapter to the gas shutoff valve. Tighten both adapters, being certain not to move or turn the gas pressure regulator.

3. Use a  $\frac{15}{16}$ " (2.4 cm) combination wrench and an adjustable wrench to attach the flexible connector to the adapters.  
**IMPORTANT:** All connections must be wrench-tightened. Do not make connections to the gas regulator too tight. Making the connections too tight may crack the regulator and cause a gas leak. Do not allow the regulator to turn when tightening fittings.

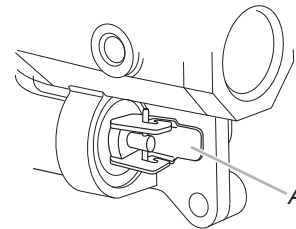


A. Gas pressure regulator  
B. Use pipe-joint compound.  
C. Adapter (must have  $\frac{1}{2}$ " [1.3 cm] male pipe thread)  
D. Flexible connector

E. Manual gas shutoff valve  
F.  $\frac{1}{2}$ " (1.3 cm) or  $\frac{3}{4}$ " (1.9 cm) gas pipe  
G. Use pipe-joint compound.  
H. Adapter

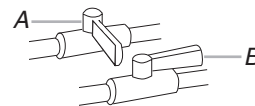
#### Complete Connection

1. Check that the gas pressure regulator shutoff valve is in the "on" position.



A. Gas pressure regulator shutoff valve shown in the "on" position

2. Open the manual shutoff valve in the gas supply line. The valve is open when the handle is parallel to the gas pipe.

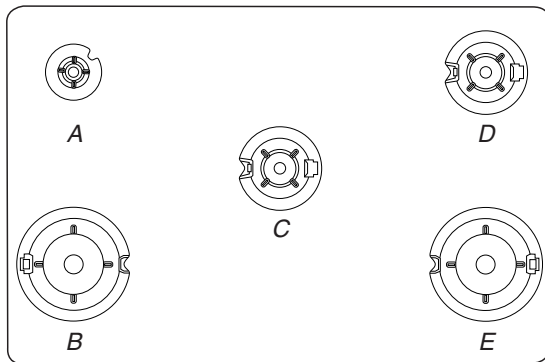


A. Closed valve  
B. Open valve

3. Test all connections by brushing on an approved noncorrosive leak-detection solution. If bubbles appear, a leak is indicated. Correct any leak found.

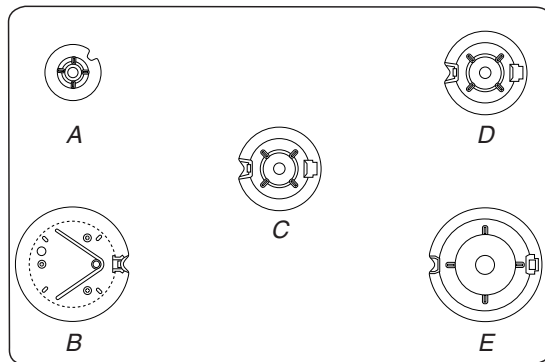
4. Remove cooktop burner caps and bases from package containing parts. Place the burner bases as indicated by the following illustration for your model:

For Models MGS8880D, WEG730H0D, and WEG760H0D:



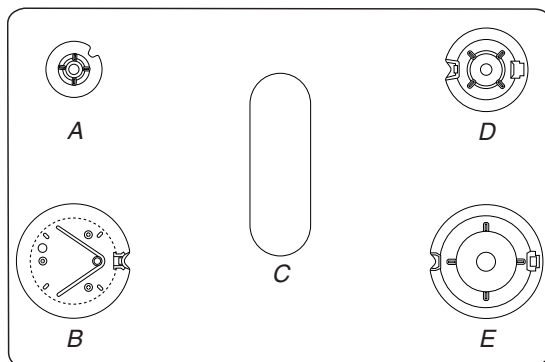
A. Small  
B. Large  
C. Medium  
D. Medium  
E. Large

For Models KSGG700E and KSGB900E:



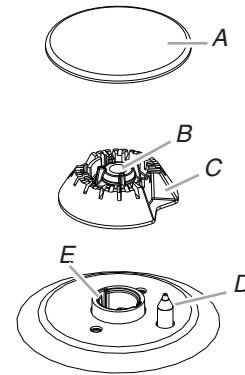
A. Small  
B. X-Large  
C. Medium  
D. Medium  
E. Large

For Model JGS1450D:



A. Small  
B. X-Large  
C. Oval  
D. Medium  
E. Large

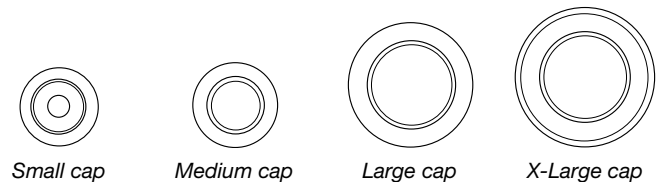
5. Align the gas tube opening in the burner base with the orifice holder on the cooktop and the igniter electrode with the notch in the burner base.



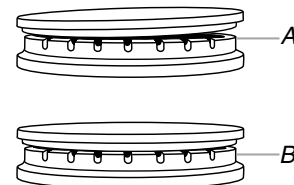
A. Burner cap  
B. Gas tube opening  
C. Burner base  
D. Igniter electrode  
E. Orifice holder

6. Place the burner caps on the appropriate burner bases.

**IMPORTANT:** The bottom of the small and medium caps are different. Do not put the wrong size burner cap on the burner base.



Burner caps should be level when properly positioned. If burner caps are not properly positioned, surface burners will not light. The burner cap should not rock or wobble when properly aligned.



A. Incorrect  
B. Correct

## ⚠ WARNING



### Electrical Shock Hazard

Plug into a grounded 3 prong outlet.

Do not remove ground prong.

Do not use an adapter.

Do not use an extension cord.

Failure to follow these instructions can result in death, fire, or electrical shock.

7. Plug into a grounded 3 prong outlet.

---

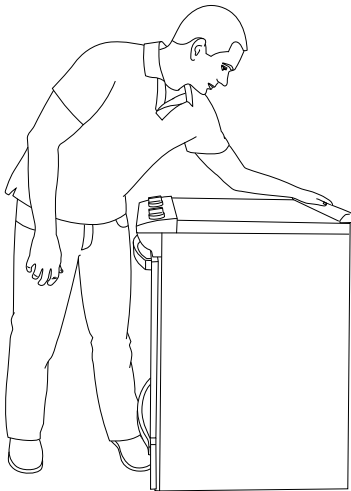
## Verify Anti-Tip Bracket Is Installed and Engaged

### On Ranges Equipped with a Premium Storage Drawer:

1. Slide range into final location, making sure rear leveling leg slides into anti-tip bracket.
2. Remove the premium storage drawer. See the "Remove/Replace Drawer" section.
3. Use a flashlight to look underneath the bottom of the range.
4. Visually check that the rear range foot is inserted into the slot of the anti-tip bracket.

### On Ranges Equipped with a Warming Drawer or Baking Drawer:

1. Slide range into final location, making sure rear leveling leg slides into anti-tip bracket. Leave a 1" (2.5 cm) gap between the back of the range and the back wall.
2. Place the outside of your foot against the bottom front of the warming drawer or baking drawer to keep the range from moving, and then grasp the back of the range, as shown.



3. Slowly attempt to tilt the range forward. If you encounter immediate resistance, the range foot is engaged in the anti-tip bracket. Go to Step 8.
4. If the rear of the range lifts more than ½" (1.3 cm) off the floor without resistance, stop tilting the range and lower it gently back to the floor. The range foot is not engaged in the anti-tip bracket.

**IMPORTANT:** If there is a snapping or popping sound when lifting the range, the range may not be fully engaged in the bracket. Check to see if there are obstructions keeping the range from sliding to the wall or keeping the range foot from sliding into the bracket. Verify that the bracket is held securely in place by the mounting screws.

5. Slide the range forward, and verify that the anti-tip bracket is securely attached to the floor or wall.
6. Slide range back so the rear range foot is inserted into the slot of the anti-tip bracket.
7. Repeat steps 1 and 2 to ensure that the range foot is engaged in the anti-tip bracket.

If the rear of the range lifts more than ½" (1.3 cm) off the floor without resistance, the anti-tip bracket may not be installed correctly. Do not operate the range without anti-tip bracket installed and engaged. Please reference the "Warranty" section of the User Guide to contact service.

8. Move the range into its final location. Check that the range is level by placing a level on the oven bottom. See the "Level Range" section.

**IMPORTANT:** If the range is moved to adjust the leveling legs, verify that the anti-tip bracket is engaged by repeating steps 1 to 8.

---

## Electronic Ignition System

### Initial Lighting and Gas Flame Adjustments

Cooktop and oven burners use electronic igniters in place of standing pilots. When the cooktop control knob is turned to the ignite position, the system creates a spark to light the burner. All cooktop burners will spark, but only the burner with the control knob turned to the ignite position will produce a flame. This sparking continues as long as the control knob is turned to the ignite position.

When the oven control is turned to the desired setting, sparking occurs and ignites the gas.

---

### Check Operation of Cooktop Burners

#### Standard Surface Burners

Push in and turn each control knob to the ignite position.

The flame should light within 4 seconds. The first time a burner is lit, it may take longer than 4 seconds to light because of air in the gas line.

#### If Burners Do Not Light Properly:

- Turn cooktop control knob to the off position.
- Check that the range is plugged into a grounded 3 prong outlet. Check that the circuit breaker has not tripped or the household fuse has not blown.
- Check that the gas shutoff valves are set to the open position.
- Check that burner caps are properly positioned on burner bases.

Repeat start-up. If a burner does not light at this point, turn the control knobs to the off position and contact your dealer or authorized service company for assistance. Please reference the "Warranty" section of the User Guide to contact service.

If the cooktop "low" burner flame needs to be adjusted for any of the burners, see the "Adjust Flame Height" section.

---

### Check Operation of Oven Bake Burner

1. Press BAKE.
2. Press the Start pad.

The oven burner should light within 8 seconds. The first time a burner is lit, it may take longer than 8 seconds to light because of air in the gas line.

3. After 2 minutes, open the oven door and check that the oven is warm.

#### If Burner Does Not Light Properly:

- Press the Off pad.
- Check that the range is plugged into a grounded 3 prong outlet. Check that the circuit breaker has not tripped or the household fuse has not blown.
- Check that the gas shutoff valves are set to the open position.

Repeat steps 1 to 3. If the burner does not light at this point, press the off pad and contact your dealer or authorized service company for assistance. Please reference the "Warranty" section of the User Guide to contact service

If the bake burner flame needs to be adjusted, see the "Adjust Flame Height" section.

Refer to the User Guide for proper operation of the oven controls.

### Check Operation of Oven Broil Burner

1. Close the oven door.
2. Press BROIL.
3. Press the Start pad.  
The oven burner should light within 8 seconds. The first time a burner is lit, it may take longer than 8 seconds to light because of air in the gas line.
4. After 2 minutes, open the oven door and check that the oven is warm.

#### If Burner Does Not Light Properly:

- Press the Off pad.
- Check that the range is plugged into a grounded 3 prong outlet. Check that the circuit breaker has not tripped or the household fuse has not blown.
- Check that the gas shutoff valves are set to the open position.

Repeat steps 1 to 3. If the burner does not light at this point, press the off pad and contact your dealer or authorized service company for assistance. Please reference the "Warranty" section of the User Guide to contact service

If the broil burner flame needs to be adjusted, see the "Adjust Flame Height" section.

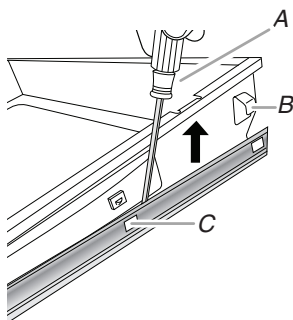
Refer to the User Guide for proper operation of the oven controls.

## Remove/Replace Drawer (on some models)

Remove all items from inside the baking drawer, warming drawer or premium storage drawer, and then allow the range to cool completely before attempting to remove the drawer.

#### To Remove:

1. Open the drawer to its fully open position.
2. Using a flat-blade screwdriver, gently loosen the drawer from the glide alignment notch, and then lift up the drawer alignment tab from the glide.

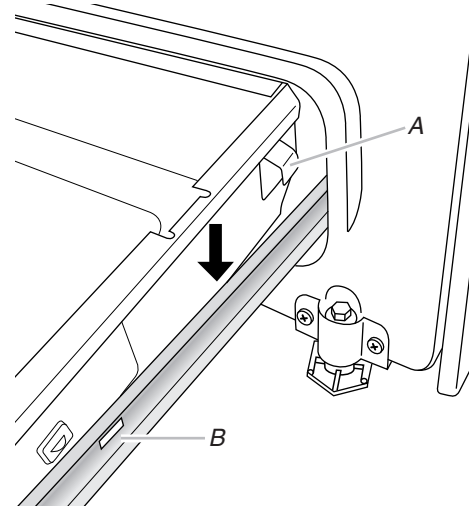


A. Flat-blade screwdriver  
B. Drawer alignment tab  
C. Drawer glide notch

3. Repeat Step 2 on the other side. The drawer is no longer attached to the drawer glides. Using both hands, pick up the drawer to complete the removal.

#### To Replace:

1. Align the forward drawer notches with the notches in the drawer glides on both sides. Place the rear alignment tabs into the drawer glides on both sides.



A. Drawer alignment tab  
B. Drawer glide notch

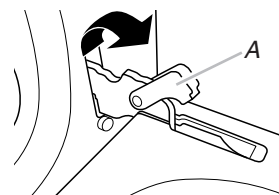
2. Push the drawer in all the way.
3. Gently open and close the drawer to ensure it is seated properly on the glides on both sides.

## Oven Door

For normal range use, it is not suggested to remove the oven door. However, if removal is necessary, make sure the oven is off and cool. Then, follow these instructions. The oven door is heavy.

#### To Remove:

1. Open oven door all the way.
2. Pinch the hinge latch between two fingers and pull forward. Repeat on other side of oven door.



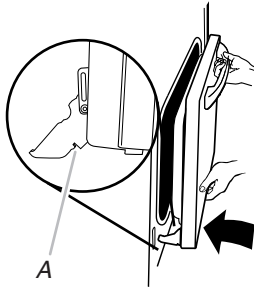
A. Hinge latch

3. Close the oven door as far as it will shut.
4. Lift the oven door while holding both sides.  
Continue to push the oven door closed and pull it away from the oven door frame.



## To Replace:

1. Insert both hanger arms into the door. Be sure that the hinge notches are engaged in the oven door frame.



A. Hinge notch

2. Open the oven door.  
The door should be able to open all the way.
3. Move the hinge levers back to the locked position. Check that the door is free to open and close and is level while closed. If it is not, repeat the removal and installation procedures.

---

## Complete Installation

1. Check that all parts are now installed. If there is an extra part, go back through the steps to see which step was skipped.
2. Check that you have all of your tools.
3. Check that you have all of the range accessories, especially oven racks. These accessories may be in the range packaging.
4. Dispose of/recycle all packaging materials.
5. Check that the range is level. See the "Level Range" section.
6. Use a mild solution of liquid household cleaner and warm water to remove waxy residue caused by shipping material. Dry thoroughly with a soft cloth. For more information, see the "Range Care" section of the User Guide.
7. Read the User Guide.
8. Turn on surface burners and oven. See the User Guide for specific instructions on range operation.

**NOTE:** Odors and smoke are normal when the oven is used the first few times.

### If Range Does Not Operate, Check the Following:

- Household fuse is intact and tight, or circuit breaker has not tripped.
  - Gas pressure regulator shutoff valve is in the open position.
  - Range is plugged into a grounded 3 prong outlet.
  - Electrical supply is connected.
9. When the range has been on for 5 minutes, check for heat. If the range is cold, turn off the range and check that the gas supply line shutoff valve is open.
    - If the gas supply line shutoff valve is closed, open it, and then repeat the 5-minute test as outlined above.
    - If the gas supply line shutoff valve is open, close it, and contact a qualified technician.

### If You Need Assistance or Service:

Please reference the "Warranty" section of the User Guide to contact service.

# GAS CONVERSIONS

Gas conversions from Natural gas to LP gas or from LP gas to Natural gas must be done by a qualified installer.

## ⚠ WARNING



### Explosion Hazard

Use a new CSA International approved gas supply line.

Install a shut-off valve.

Securely tighten all gas connections.

If connected to LP, have a qualified person make sure gas pressure does not exceed 14" (36 cm) water column.

Examples of a qualified person include:

licensed heating personnel,  
authorized gas company personnel, and  
authorized service personnel.

Failure to do so can result in death, explosion, or fire.

## LP Gas Conversion

## ⚠ WARNING



### Tip Over Hazard

A child or adult can tip the range and be killed.

Install anti-tip bracket to floor or wall per installation instructions.

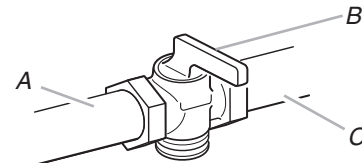
Slide range back so rear range foot is engaged in the slot of the anti-tip bracket.

Re-engage anti-tip bracket if range is moved.

Do not operate range without anti-tip bracket installed and engaged.

Failure to follow these instructions can result in death or serious burns to children and adults.

1. Turn the manual shutoff valve to the closed position.



A. Gas supply line

B. Manual shutoff valve "closed" position

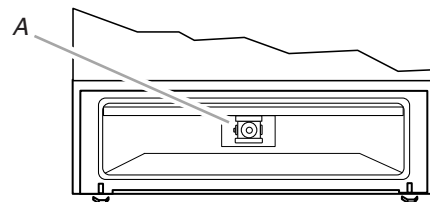
C. To range

2. Unplug range or disconnect power.

### To Convert Gas Pressure Regulator (Natural Gas to LP Gas)

1. Remove the premium storage drawer, warming drawer or baking drawer. See the "Remove/Replace Drawer" section.
2. Locate gas pressure regulator at rear of the drawer compartment.

**NOTE:** On models with a warming drawer or baking drawer, an access cover must be removed to access the gas pressure regulator.



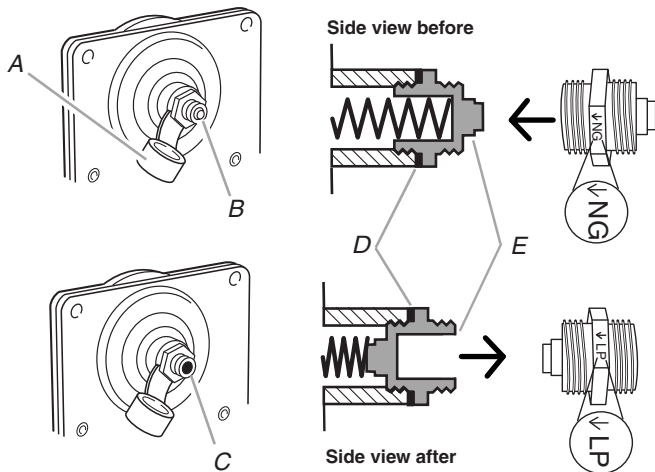
A. Gas pressure regulator

**IMPORTANT:** Do not remove the gas pressure regulator.



- Remove plastic cover from gas pressure regulator cap.
- Turn gas pressure regulator cap counterclockwise with a  $\frac{5}{8}$ " (1.6 cm) combination wrench to remove.

**NOTE:** Do not remove the spring beneath the cap.

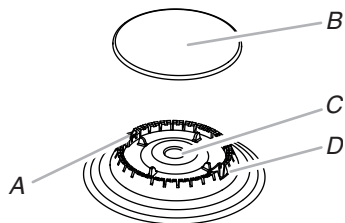


- A. Plastic cover
- B. Gas pressure regulator cap with solid end facing out
- C. Gas pressure regulator cap with hollow end facing out
- D. Washer
- E. Gas pressure regulator cap

- Turn over the gas pressure regulator cap and reinstall on regulator so that the hollow end faces out and the marking "↓LP" is facing the direction shown in the above drawing.
- Replace plastic cover over gas pressure regulator cap.

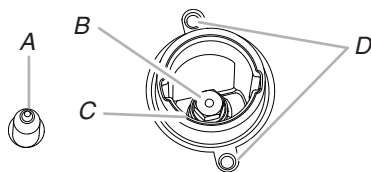
### To Convert Surface Burners (Natural Gas to LP Gas)

- Remove burner cap.
- Remove the burner base.



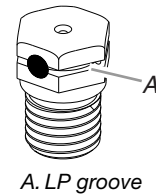
- A. Igniter electrode
- B. Burner cap
- C. Gas tube opening
- D. Burner base

- Apply masking tape to the end of a  $\frac{9}{32}$ " (7 mm) nut driver to help hold the gas orifice spud in the nut driver while changing it. Press nut driver down onto the gas orifice spud and remove by turning it counterclockwise and lifting out. Set gas orifice spud aside.



- A. Igniter electrode
- B. Orifice spud
- C. Orifice spud holder
- D. Screws

- Remove the orifice spuds shipped in the literature package in the oven. Gas orifice spuds are stamped with a number, marked with 1 or 2 color dots, and have a groove in the hex area. Replace the Natural gas orifice spud with the correct LP gas orifice spud.



Refer to the following chart for correct LP gas orifice spud ratings and to spud holder card for proper placement.

### LP Gas Orifice Spud Chart for Surface Burners

Burner Rating/ Type	Color	Size (mm)	ID Number	Placement
15,000 BTU/ Stacked*	Silver	1.05	L105	LF
	Black/Orange	0.32	L32	
14,200 BTU/ Ultra/Stacked*	Silver	1.05	L105	LF/RF
8,000 BTU/ Semi	Red/Orange	0.85	L85	RR/CTR
5,000 BTU/ Auxiliary	Red/Blue	0.65	L65	LR
1,200 BTU/ Stacked/ Simmer*	Black/Orange	0.32	L32	LF (Simmer)

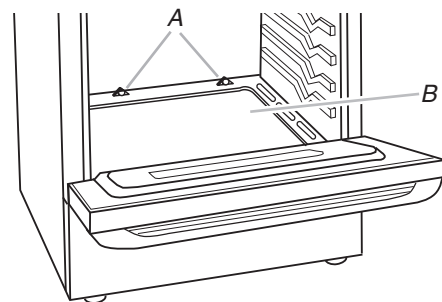
\*Not in all kits/models.

**NOTE:** Refer to the model/serial/rating plate located on the oven frame behind the top right-hand side of the oven door for proper sizing of spuds for each burner location.

- Place Natural gas orifice spuds in the orifice spud bag.
  - IMPORTANT:** Keep the Natural gas orifice spuds in case of reinstallation with Natural gas.
- Replace the burner base.
- Replace burner cap.
- Repeat steps 1 to 7 for the remaining burners.

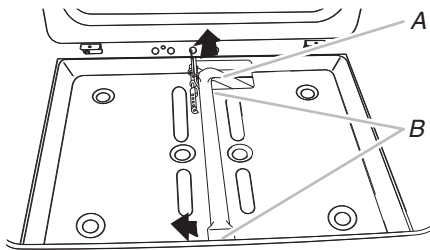
### To Convert Oven Bake Burner (Natural Gas to LP Gas)

- Remove the oven racks and the oven door. See the "Oven Door" section.
- Remove 2 screws and washers at the rear of the oven bottom.
- Lift the rear of the oven bottom up and back until the front of the panel is away from the front frame. Remove from oven and set it aside on a covered surface.

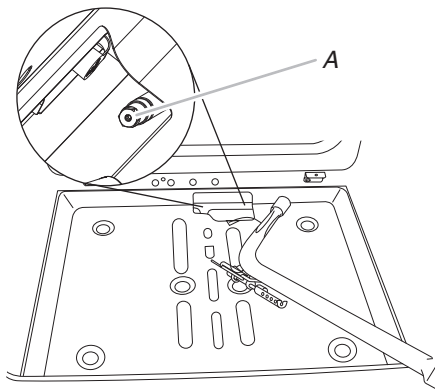


- A. Screws
- B. Oven bottom

- Remove 2 screws from the bake burner.
- Slide the front of the bake burner to the side to remove tab from front of oven. Lift the back of the bake burner off the oven orifice, and set the bake burner aside. Do not disconnect the wire.

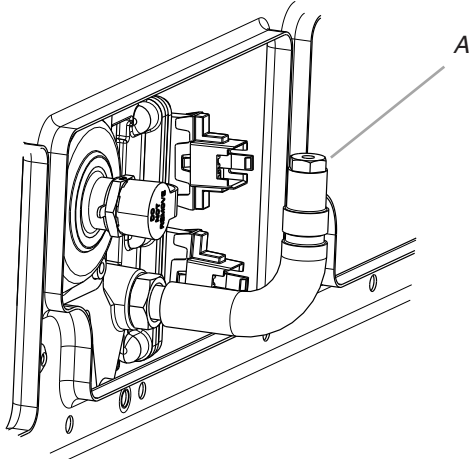


A. Bake burner  
B. Screws



A. Oven orifice

- Apply masking tape to the end of a  $\frac{3}{8}$ " (1 cm) nut driver to help hold the gas orifice spud in the nut driver while changing it. Press nut driver down onto the gas orifice spud and remove by turning the Natural gas bake burner orifice spud counterclockwise to remove. The spud will be stamped with a "47."
- Replace the "47" spud with a "56" spud. Install the LP gas bake burner orifice spud, turning it clockwise until snug. **IMPORTANT:** Do not overtighten.

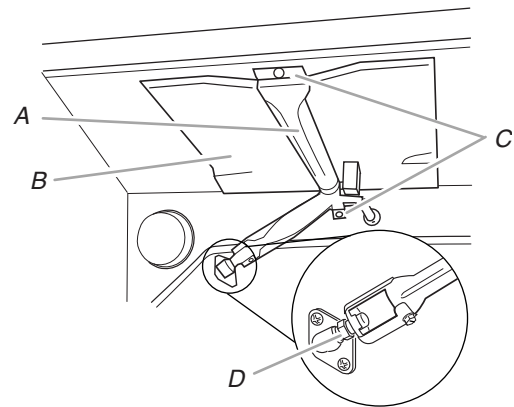


A. Orifice spud

- Position the back of the bake burner over the oven orifice, and then align the holes for the screws.
- Reattach the bake burner with 2 screws.
- Position the front of the oven bottom panel toward the front frame, and then lower the rear of the oven bottom panel into the oven.
- Reattach the oven bottom panel with 2 screws and 2 washers.

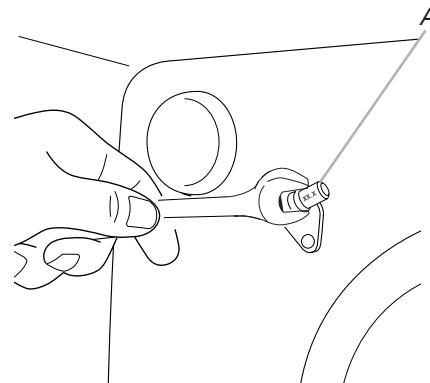
### To Convert Oven Broil Burner (Natural Gas to LP Gas)

- Remove the 1 screw from the broil burner.
- Remove the flame spreader.
- Remove the broil burner from the broil burner orifice hood. **NOTE:** The broil burner will hang in the back of the oven while you are changing the orifice hood.



A. Broil burner  
B. Flame spreader  
C. Screws  
D. Orifice hood

- Apply masking tape to the end of a  $\frac{3}{8}$ " (1 cm) nut driver to help hold the gas orifice spud in the nut driver while changing it. Press nut driver down onto the gas orifice spud and remove by turning the Natural gas broil burner orifice hood counterclockwise to remove. The hood will be stamped with a "155."
- Replace the "155" hood with a "100" hood. Install the LP gas broiler burner orifice hood, turning it clockwise until snug. **IMPORTANT:** Do not overtighten.



A. Orifice hood

6. Place the broil burner on the broil burner orifice hood. Insert the broil burner ceramic igniter in the hole in the rear of the oven.
7. Replace the flame spreader with all 4 tabs facing up and the notches toward the rear of the oven.
8. Position the broil burner against the top of the oven and attach it with 1 screw.
9. Replace premium storage drawer, warming drawer or baking drawer. See the "Remove/Replace Drawer" section.
10. Replace the oven door. See the "Oven Door" section.
11. Replace the oven racks.

### Complete Installation (Natural Gas to LP Gas)

1. Refer to the "Make Gas Connection" section for proper connection of the range to the gas supply.
2. Refer to the "Electronic Ignition System" section for proper burner ignition and operation.
3. Refer to the "Adjust Flame Height" section for burner flame adjustments.  
**IMPORTANT:** You may have to adjust the low setting for each cooktop burner.  
Checking for proper cooktop flame is very important. The small inner cone should have a very distinct blue flame  $\frac{1}{4}$ " to  $\frac{1}{2}$ " (0.64 to 1.3 cm) long. The outer cone is not as distinct as the inner cone. LP gas flames have a slightly yellow tip.
4. Refer to "Complete Installation" in the "Installation Instructions" section of this manual to complete this procedure.

**IMPORTANT:** Make sure to save the orifices that have just been replaced in the conversion.

## Natural Gas Conversion

### **⚠ WARNING**



#### Tip Over Hazard

**A child or adult can tip the range and be killed.**

**Install anti-tip bracket to floor or wall per installation instructions.**

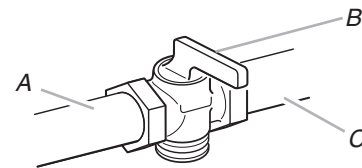
**Slide range back so rear range foot is engaged in the slot of the anti-tip bracket.**

**Re-engage anti-tip bracket if range is moved.**

**Do not operate range without anti-tip bracket installed and engaged.**

**Failure to follow these instructions can result in death or serious burns to children and adults.**

1. Turn the manual shutoff valve to the closed position.



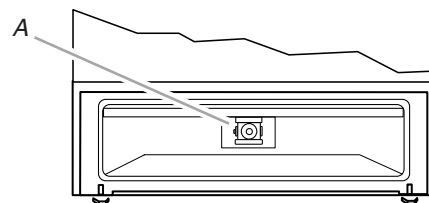
A. Gas supply line  
B. Manual shutoff valve "closed" position  
C. To range

2. Unplug range or disconnect power.

### To Convert Gas Pressure Regulator (LP Gas to Natural Gas)

1. Remove the premium storage drawer, warming drawer or baking drawer. See the "Remove/Replace Drawer" section.
2. Locate gas pressure regulator at rear of the drawer compartment.

**NOTE:** On models with a warming drawer or baking drawer, an access cover must be removed to access the gas pressure regulator.



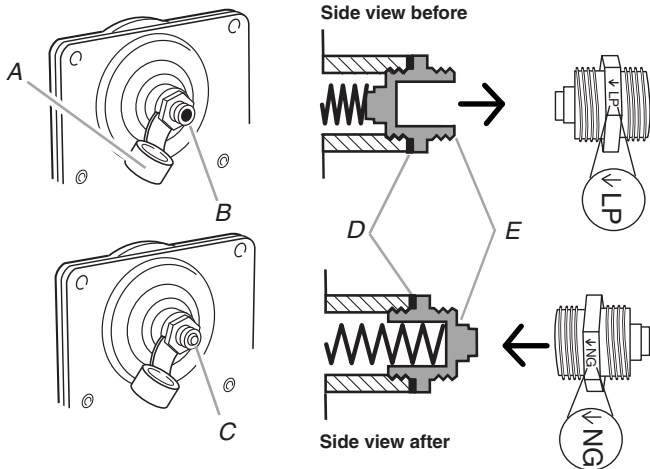
A. Gas pressure regulator

**IMPORTANT:** Do not remove the gas pressure regulator.

3. Remove plastic cover from gas pressure regulator cap.

- Turn gas pressure regulator cap counterclockwise with a  $\frac{5}{8}$ " (1.6 cm) combination wrench to remove.

**NOTE:** Do not remove the spring beneath the cap.

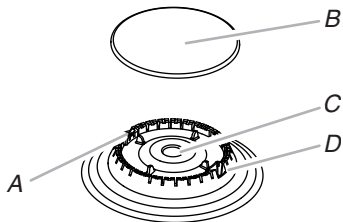


- A. Plastic cover
- B. Gas pressure regulator cap with hollow end facing out
- C. Gas pressure regulator cap with solid end facing out
- D. Washer
- E. Gas pressure regulator cap

- Turn over the gas pressure regulator cap and reinstall on regulator so that the solid end faces out and the marking "↓ NG" is facing the direction shown in the above drawing.
- Replace plastic cover over gas pressure regulator cap.

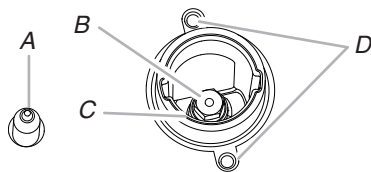
### To Convert Surface Burners (LP Gas to Natural Gas)

- Remove burner cap.
- Remove the burner base.



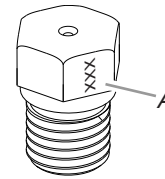
- A. Igniter electrode
- B. Burner cap
- C. Gas tube opening
- D. Burner base

- Apply masking tape to the end of a  $\frac{9}{32}$ " (7 mm) nut driver to help hold the gas orifice spud in the nut driver while changing it. Press nut driver down onto the gas orifice spud and remove by turning it counterclockwise and lifting out. Set gas orifice spud aside.



- A. Igniter electrode
- B. Orifice spud
- C. Orifice spud holder
- D. Screws

- Gas orifice spuds are stamped with a number on the side. Replace the LP gas orifice spud with the correct Natural gas orifice spud.



A. Stamped number

Refer to the following chart for the correct Natural gas orifice spud placement.

### Natural Gas Orifice Spud Chart

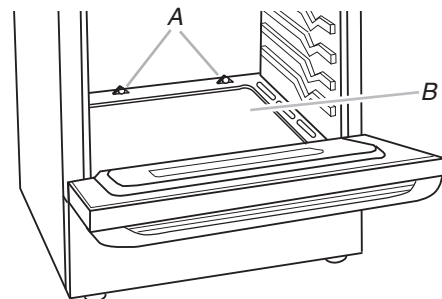
Burner Rating	Color	Size (mm)	ID Number
19,000 BTU (ST)	White/Gray	1.84	184
17,000 BTU (ST)	N/A	1.75	175
17,000 BTU	White/Blue	1.90	190
15,000 BTU	White/Green	1.80	180
9,200 BTU	White/Black	1.35	135
8,000 BTU	White/Yellow	1.25	125
5,000 BTU	White/Orange	1.00	100
1,200 BTU	Black	0.52	52

**NOTE:** Refer to the model/serial/rating plate located on the oven frame behind the top right-hand side of the oven door for proper sizing of spuds for each burner location.

- Place LP gas orifice spuds in the orifice spud bag.
  - IMPORTANT:** Keep the LP gas orifice spuds in case of reinstallation with LP gas.
- Replace the burner base.
- Replace burner cap.
- Repeat steps 1 to 7 for the remaining burners.

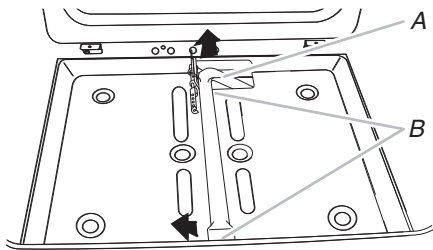
### To Convert Oven Bake Burner (LP Gas to Natural Gas)

- Remove the oven racks and the oven door. See the "Oven Door" section.
- Remove 2 screws and washers at the rear of the oven bottom.
- Lift the rear of the oven bottom up and back until the front of the panel is away from the front frame. Remove from oven and set it aside on a covered surface.

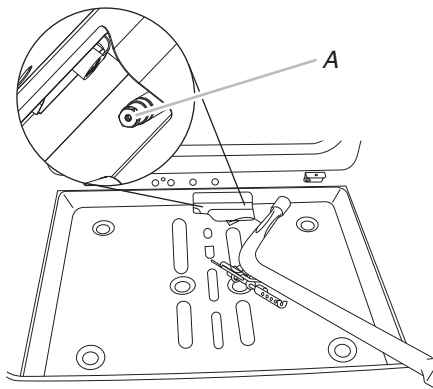


- A. Screws
- B. Oven bottom

- Remove 2 screws from the bake burner.
- Slide the front of the bake burner to the side to remove tab from front of oven. Lift the back of the bake burner off the oven orifice, and set the bake burner aside. Do not disconnect the wire.

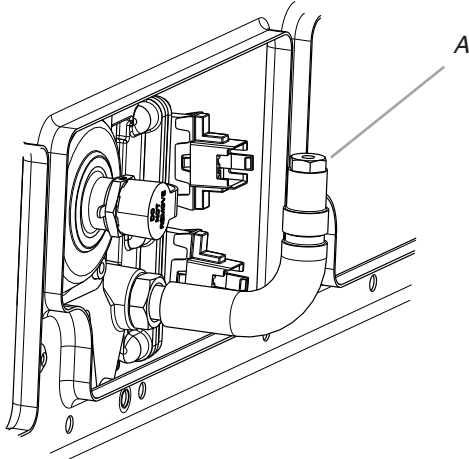


A. Bake burner  
B. Screws



A. Oven orifice

- Apply masking tape to the end of a  $\frac{3}{8}$ " (1 cm) nut driver to help hold the gas orifice spud in the nut driver while changing it. Press nut driver down onto the gas orifice spud and remove by turning the LP gas bake burner orifice spud counterclockwise to remove. The spud will be stamped with a "56."
- Replace the "56" spud with a "47" spud. Install the Natural gas bake burner orifice spud, turning it clockwise until snug. **IMPORTANT:** Do not overtighten.



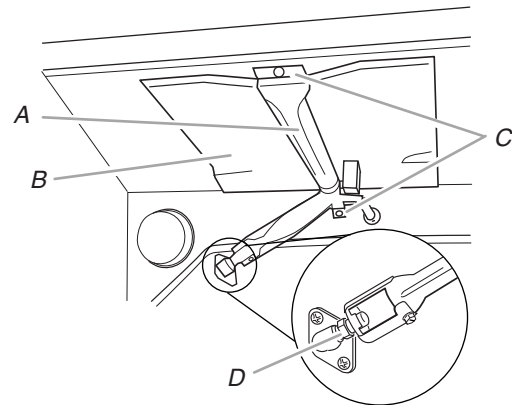
A. Orifice spud

- Position the back of the bake burner over the oven orifice, and then align the holes for the screws.
- Reattach the bake burner with 2 screws.

- Position the front of the oven bottom panel toward the front frame, and then lower the rear of the oven bottom panel into the oven.
- Reattach the oven bottom panel with 2 screws and 2 washers.

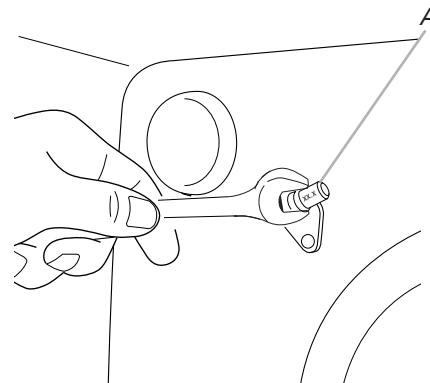
### To Convert Oven Broil Burner (LP Gas to Natural Gas)

- Remove 1 screw from the broil burner.
- Remove the flame spreader.
- Remove the broil burner from the broil burner orifice hood. **NOTE:** The broil burner will hang in the back of the oven while you are changing the orifice hood.



A. Broil burner  
B. Flame spreader  
C. Screws  
D. Orifice hood

- Apply masking tape to the end of a  $\frac{3}{8}$ " (1 cm) nut driver to help hold the gas orifice spud in the nut driver while changing it. Press nut driver down onto the gas orifice spud and remove by turning the LP gas broil burner orifice hood counterclockwise to remove. The hood will be stamped with a "100."
- Replace the "100" hood with a "155" hood. Install the Natural gas broiler burner orifice hood, turning it clockwise until snug. **IMPORTANT:** Do not overtighten.



A. Orifice hood

- Place the broil burner on the broil burner orifice hood. Insert the broil burner ceramic igniter in the hole in the rear of the oven.
- Replace the flame spreader with all 4 tabs facing up and the notches toward the rear of the oven.
- Position the broil burner against the top of the oven and attach it with 1 screw.

9. Replace the premium storage drawer, warming drawer or baking drawer. See the "Remove/Replace Drawer" section.
10. Replace the oven door. See the "Oven Door" section.
11. Replace the oven racks.

### Complete Installation (LP Gas to Natural Gas)

1. Refer to the "Make Gas Connection" section for proper connection of the range to the gas supply.
2. Refer to the "Electronic Ignition System" section for proper burner ignition and operation.
3. Refer to the "Adjust Flame Height" section for burner flame adjustments.

**IMPORTANT:** You may have to adjust the low setting for each cooktop burner.

Checking for proper cooktop, bake and broil burner flame is very important. Natural gas flames do not have yellow tips.

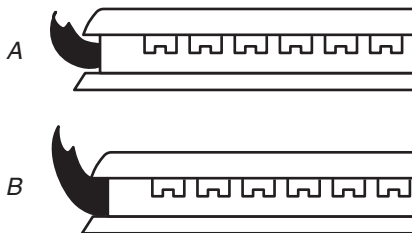
4. Refer to "Complete Installation" in the "Installation Instructions" section of this manual to complete this procedure.

**IMPORTANT:** Make sure to save the orifices that have just been replaced in the conversion.

## Adjust Flame Height

### Adjust Surface Burner Flame

Adjust the height of top burner flames. The cooktop "low" burner flame should be a steady blue flame approximately 1/4" (0.64 cm) high. LP gas flames have a slightly yellow tip.



A. Low flame  
B. High flame

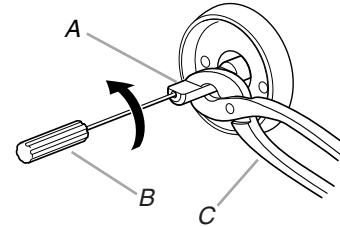
#### To Adjust Standard Burner:

The flame can be adjusted using the adjustment screw in the center of the valve stem. The valve stem is located directly underneath the control knob.

#### If the "Low" Flame Needs to be Adjusted:

1. Light 1 burner and turn to lowest setting.
2. Remove the control knob.

Hold the knob stem with a pair of pliers. Use a small flat-blade screwdriver to turn the screw located in the center of the control knob stem until the flame is the proper size. Turning the screw clockwise will increase the flame size, and turning the screw counterclockwise will decrease the flame size.

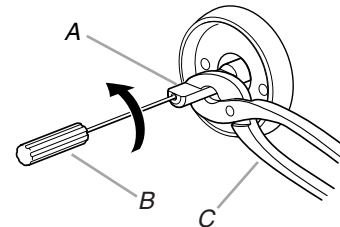


A. Control knob stem  
B. Screwdriver  
C. Pliers

3. Replace the control knob.
4. Test the flame by turning the control from the low position to the high position, checking the flame at each setting.
5. Repeat the previous steps for each burner.

#### To Adjust Double Burner (On Some Models):

1. Light burner and turn to lowest setting where both inner and outer burners are lit.
2. Remove the control knob.
3. Insert a 1/8" (3 mm) flat-blade screwdriver into the adjustment locations shown in the following illustration and engage the slotted screw. Turn the screw until the flame is the proper size. Turning the screw clockwise will increase the flame size, and turning the screw counterclockwise will decrease the flame size.



A. Control knob stem  
B. Screwdriver  
C. Pliers

4. Replace the control knob.
5. Test the flame by turning the control from the low position to the high position, checking the flame at each setting.

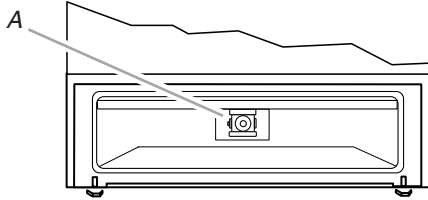
### Check Operation of Oven Bake Burner

Refer to the User Guide for proper operation of the oven controls.

## Adjust Oven Bake Burner Flame (If Needed)

1. Remove the premium storage drawer, warming drawer or baking drawer (see the "Remove/Replace Drawer" section).
2. Locate gas pressure regulator at rear of the drawer compartment.

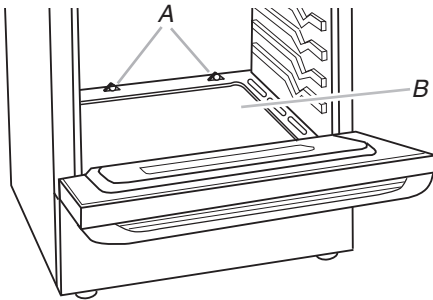
**NOTE:** On models with a warming drawer or baking drawer, an access cover must be removed to access the gas pressure regulator.



A. Gas pressure regulator

**IMPORTANT:** Do not remove the gas pressure regulator.

3. Check the oven bake burner for proper flame.
  - a. Remove the oven racks.
  - b. To remove the oven bottom: Remove 2 screws at the rear of the oven bottom. Lift the rear of the oven bottom up and back until the front of the panel is away from the front frame. Remove from oven and place on a covered surface.



A. Screws  
B. Oven bottom

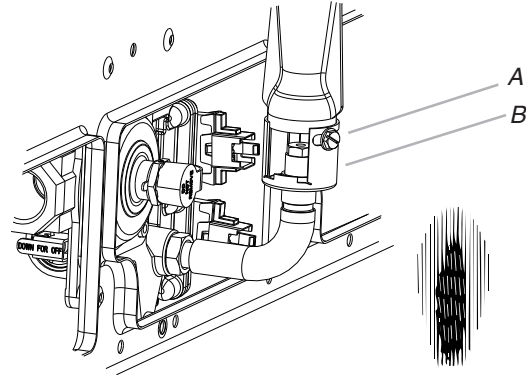
- c. Press BAKE.
- d. Press the Start pad.

The oven bake burner should light within 8 seconds. Under certain conditions, it may take the burner up to 50 to 60 seconds to light.

Electronic igniters are used to light the bake and broil burners.

This flame should have a 1/2" (1.3 cm) long inner cone of bluish-green, with an outer mantle of dark blue, and should be clean and soft in character. No yellow tips, blowing or lifting of flame should occur.

4. If the oven bake flame needs to be adjusted, locate the air shutter near the center rear of the drawer cavity behind the access panel. Loosen the locking screw and rotate the air shutter until the proper flame appears. Tighten locking screw.



A. Locking screw  
B. Air shutter

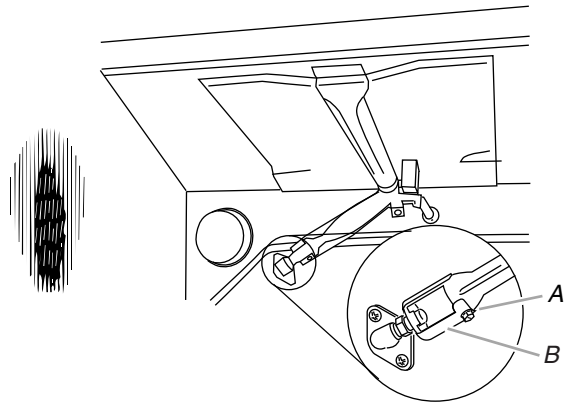
5. Push the Off pad when finished.
6. Reinstall the oven bottom and the premium storage drawer, warming drawer or baking drawer (see the "Remove/Replace Drawer" section).

## Adjust Oven Broil Burner Flame (If Needed)

Press BROIL, and then press the start pad. Look through the oven window to check broil burner for proper flame. This flame should have a 1/2" (1.3 cm) long inner cone of bluish-green, with an outer mantle of dark blue, and should be clean and soft in character. No yellow tips, blowing or lifting of flame should be present.

**If Flame Needs to be Adjusted:**

1. Press the Off pad. Let the oven cool.
2. Loosen the lock screw on the air shutter located at the rear of the broil burner.
3. Adjust the air shutter as needed.
4. Tighten lock screw.



A. Lock screw  
B. Air shutter

5. Close the oven door. Press BROIL, and then press the Start pad. Look through the oven window to check broil burner for proper flame. If flame needs to be adjusted, repeat steps 1 to 5.

# SÉCURITÉ DE LA CUISINIÈRE

## Votre sécurité et celle des autres est très importante.

Nous donnons de nombreux messages de sécurité importants dans ce manuel et sur votre appareil ménager. Assurez-vous de toujours lire tous les messages de sécurité et de vous y conformer.



Voici le symbole d'alerte de sécurité.

Ce symbole d'alerte de sécurité vous signale les dangers potentiels de décès et de blessures graves à vous et à d'autres.

Tous les messages de sécurité suivront le symbole d'alerte de sécurité et le mot "DANGER" ou "AVERTISSEMENT". Ces mots signifient :

**⚠ DANGER**

Risque possible de décès ou de blessure grave si vous ne suivez pas immédiatement les instructions.

**⚠ AVERTISSEMENT**

Risque possible de décès ou de blessure grave si vous ne suivez pas les instructions.

Tous les messages de sécurité vous diront quel est le danger potentiel et vous disent comment réduire le risque de blessure et ce qui peut se produire en cas de non-respect des instructions.

**AVERTISSEMENT : Si les renseignements dans ce manuel ne sont pas exactement observés, un incendie ou une explosion peut survenir, causant des dommages au produit, des blessures ou un décès.**

- Ne pas entreposer ni utiliser de l'essence ou d'autres vapeurs ou liquides inflammables à proximité de cet appareil ou de tout autre appareil électroménager.
- QUE FAIRE DANS LE CAS D'UNE ODEUR DE GAZ :
  - Ne pas tenter d'allumer un appareil.
  - Ne pas toucher à un commutateur électrique.
  - Ne pas utiliser le téléphone se trouvant sur les lieux.
  - Appeler immédiatement le fournisseur de gaz à partir du téléphone d'un voisin. Suivre ses instructions.
  - À défaut de joindre votre fournisseur de gaz, appeler les pompiers.
- L'installation et l'entretien doivent être effectués par un installateur qualifié, une agence de service ou le fournisseur de gaz.

**AVERTISSEMENT :** L'odorat ne permet pas toujours la détection d'une fuite de gaz.

Les distributeurs de gaz recommandent l'emploi d'un détecteur de gaz (homologation UL ou CSA).

Pour d'autre information, contacter le fournisseur de gaz local.

En cas de détection d'une fuite de gaz, exécuter les instructions "Que faire dans le cas d'une odeur de gaz".

**IMPORTANT :** Ne pas installer un système de ventilation avec évacuation de l'air vers le bas, qui évacuerait l'air vers cet appareil de cuisson à gaz. Ce type de système de ventilation peut causer des problèmes d'allumage et de combustion avec cet appareil de cuisson à gaz et entraîner des blessures corporelles ou le fonctionnement non désiré de cet appareil.



Dans l'État du Massachusetts, les instructions d'installation suivantes sont applicables :

- Les travaux d'installation et réparation doivent être exécutés par un plombier ou tuyauteur qualifié ou licencié, ou par le personnel qualifié d'une entreprise licenciée par l'État du Massachusetts.
- Si une vanne à boisseau sphérique est utilisée, elle doit comporter une manette "T".
- Si un conduit de raccordement flexible est utilisé, sa longueur ne doit pas dépasser 3 pi.

## **⚠ AVERTISSEMENT**

### **Risque de basculement**

**Un enfant ou une personne adulte peut faire basculer la cuisinière, ce qui peut causer un décès.**

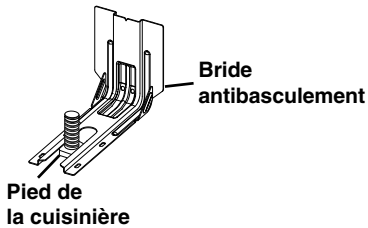
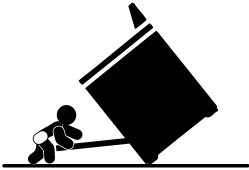
**Fixer la bride antibasculement au plancher ou au mur, conformément aux instructions d'installation.**

**Faire glisser de nouveau la cuisinière de façon à ce que le pied arrière de la cuisinière se trouve dans la fente de la bride antibasculement.**

**Réengager la bride antibasculement si la cuisinière a été déplacée.**

**Ne pas faire fonctionner la cuisinière si la bride antibasculement n'est pas installée et engagée.**

**Le non-respect de ces instructions peut causer un décès ou des brûlures graves aux enfants et aux adultes.**



**Pour vérifier que la bride antibasculement est bien installée et engagée :**

- Faire glisser la cuisinière vers l'avant.
- Vérifier que la bride antibasculement est bien fixée au plancher ou au mur.
- Faire de nouveau glisser la cuisinière vers l'arrière de sorte que le pied de la cuisinière se trouve sous la bride antibasculement.
- Voir les instructions d'installation pour plus de détails.

# EXIGENCES D'INSTALLATION

## Outillage et pièces

Rassembler les outils et pièces nécessaires avant d'entreprendre l'installation. Lire et observer les instructions fournies avec chacun des outils de la liste ci-dessous.

### Outils nécessaires

- Mètre-ruban
  - Tournevis Phillips
  - Tournevis à lame plate
  - Tournevis à lame plate de 1/8" (3 mm)
  - Niveau
  - Perceuse
  - Clé ou pince
  - Clé à tuyauterie
  - Clé mixte de 15/16" (2,4 cm)
  - Foret de 1/8" (3,2 mm) (pour plancher de bois)
  - Crayon ou marqueur
  - Composé d'étanchéité des raccords filetés - résistant au propane
  - Foret à maçonnerie à pointe carburée de 3/16" (4,8 mm) (pour planchers en béton/céramique)
  - Solution non corrosive de détection des fuites
- Pour la conversion pour l'alimentation au gaz propane/gaz naturel**
- Clé mixte de 5/8" (1,6 cm)
  - Tourne-écrou 3/8" (1 cm)
  - Tourne-écrou 9/32" (7 mm)
  - Ruban adhésif de masquage

### Pièces fournies

Vérifier que toutes les pièces sont présentes.

- Ensemble de conversion au gaz propane/naturel
- Vis n°10 x 1 1/8" (4,1 cm) (pour le montage de la bride antibasculement) (2)
- Bride antibasculement (à l'intérieur de la cavité du four)

La bride antibasculement doit être solidement fixée à la cloison arrière ou au plancher. La profondeur du plancher peut nécessiter des vis plus longues pour l'ancrage de la bride dans le sous-plancher. Des vis plus longues sont disponibles auprès de votre quincaillerie locale.

### Pour les modèles :

	WEG730H0D	KSGG700E KSGB900E MGS8880D WEG760H0D	JGS1450D
Chapeaux de brûleur	5	5	4
Grilles de brûleur	2	2	3
Grilles du four	2	3	3

### Pièces nécessaires

Consulter les codes locaux en vigueur et le fournisseur de gaz. Déterminer les caractéristiques des sources disponibles d'électricité et gaz. Voir "Spécifications électriques" et "Spécifications de l'alimentation en gaz".

**IMPORTANT :** Lorsque la cuisinière est utilisée sous les modèles de micro-ondes : JMC82808CB-0, JMV9196CB-0, ou YJMV9196CB-0, il est nécessaire de commander et d'utiliser la plaque du déflecteur de porte référence W10737014. Se reporter à la section "Accessoires" du guide d'utilisation pour les informations de contact.

### Pièces facultatives

Pour acheter ces accessoires ou d'autres, se reporter à la section "Accessoires" du guide d'utilisation pour les informations de contact.

#### ■ Trousses de garnitures latérales :

- 5/8" (1,7 cm) Blanc - Commander la pièce numéro W10675027
- 5/8" (1,7 cm) Noir - Commander la pièce numéro W10675026
- 5/8" (1,7 cm) Acier inoxydable - Commander la pièce numéro W10675028
- 1 1/8" (2,9 cm) Blanc - Commander la pièce numéro W10731885
- 1 1/8" (2,9 cm) Noir - Commander la pièce numéro W10731886
- 1 1/8" (2,9 cm) Acier inoxydable - Commander la pièce numéro W10731887

#### ■ Panneaux anti-éclaboussures :

- Hauteur 6" (15,2 cm), blanc : commander la pièce numéro W10655448
- Hauteur 6" (15,2 cm), noir : commander la pièce numéro W10655449
- Hauteur 6" (15,2 cm), acier inoxydable : commander la pièce numéro W10655450

## Exigences d'emplacement

**IMPORTANT :** Observer les dispositions de tous les codes et règlements en vigueur. Ne pas obstruer le flux de combustion et de ventilation.

- C'est à l'installateur qu'incombe la responsabilité de respecter les distances de séparation spécifiées sur la plaque signalétique. La plaque signalétique se trouve derrière la porte du four, dans le coin supérieur droit du châssis.
- La cuisinière doit être installée à un endroit pratique dans la cuisine.
- Dans le cas d'une cuisinière encastrée, l'enceinte doit recouvrir complètement les côtés et l'arrière de la cuisinière.
- Afin de supprimer le risque de brûlures ou d'incendie lié au fait de se pencher au-dessus des plaques de cuisson chaudes, les placards de rangement au-dessus des plaques doivent être évités. Si des placards de rangement sont prévus, le risque peut être réduit par l'installation d'une hotte de cuisinière ou d'un ensemble hotte/micro-ondes dépassant horizontalement de 5" (12,7 cm) au moins par rapport au bas des placards.
- Toutes les ouvertures dans le mur ou le plancher de l'emplacement d'installation de la cuisinière doivent être scellées.
- Respecter les dimensions indiquées pour les ouvertures à découper dans les meubles. Ces dimensions constituent les valeurs minimales des dégagements.
- La bride antibasculement doit être installée. Pour l'installation de la bride antibasculement fournie avec la cuisinière, voir la section "Installation de la bride antibasculement".
- Une source d'électricité avec liaison à la terre est nécessaire. Voir la section "Spécifications électriques".
- Un raccordement adéquat à l'alimentation en gaz doit être disponible. Voir la section "Spécifications de l'alimentation en gaz".

- Contacter un installateur de revêtement de sol qualifié, qui pourra déterminer si le revêtement de sol peut résister à une température d'au moins 200°F (93°C).
- Dans le cas de l'installation de la cuisinière sur une moquette, placer sous la cuisinière un tapis isolant ou une plaque de contreplaqué de ¼" (0,64 cm).

**IMPORTANT :** Afin d'éviter d'endommager les placards, consulter l'installateur ou le fabricant des placards pour déterminer si les matériaux utilisés peuvent subir une décoloration, une déstratification ou d'autres dommages. Ce four a été conçu conformément aux exigences des normes UL et CSA International et respecte les températures maximales permises de 194°F (90°C) pour les placards en bois.

#### Résidence mobile – Spécifications additionnelles à respecter lors de l'installation

L'installation de cette cuisinière doit être conforme aux dispositions de la norme Manufactured Home Construction and Safety Standard, Title 24 CFR, Part 3280 (anciennement Federal Standard for Mobile Home Construction and Safety, Title 24, HUD Part 280). Lorsque cette norme n'est pas applicable, l'installation doit satisfaire aux critères de la norme Standard for Manufactured Home Installations, ANSI A225.1/NFPA 501A ou aux dispositions des codes locaux.

Au Canada, l'installation de cette cuisinière doit satisfaire aux stipulations de la version la plus récente de la norme CAN/CSA-A240 ou des codes locaux en vigueur.

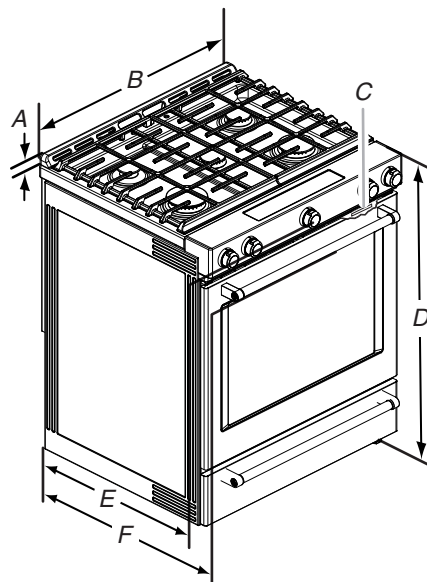
#### Autres critères à respecter pour une installation en résidence mobile :

- Dans le cas de l'installation de cette cuisinière dans une résidence mobile, la cuisinière doit être fixée au plancher durant tout déplacement du véhicule. Toute méthode de fixation de la cuisinière est adéquate dans la mesure où elle satisfait aux critères des normes mentionnées ci-dessus.

## Dimensions du produit

Ce manuel concerne plusieurs modèles. Votre modèle peut différer de ceux illustrés. Les dimensions indiquées sont les dimensions maximales sur tous les modèles.

### Modèle KSGB900



A. 1 3/16" (3,0 cm) de la table de cuisson au sommet de l'évent

B. 29 7/8" (75,9 cm)

C. Plaque signalétique (située derrière la porte du four, dans le coin supérieur droit du châssis)

D. 36" (91,4 cm) jusqu'à la bordure de la table de cuisson, pieds de nivellement complètement rétractés\*

E. 28 5/16" (71,9 cm) de profondeur maximale de l'avant de la console à l'arrière de la cuisinière

F. 28 7/8" (73,3 cm) de profondeur maximale entre la poignée et l'arrière de la cuisinière

**IMPORTANT :** La cuisinière doit être d'aplomb après l'installation. Suivre les instructions de la section "Réglage de l'aplomb de la cuisinière". Il n'est pas recommandé d'utiliser la table de cuisson comme référence pour établir l'aplomb de la cuisinière.

\*La cuisinière peut être surélevée d'environ 1" (2,5 cm) en ajustant les pieds de nivellement.

## Dimensions du placard

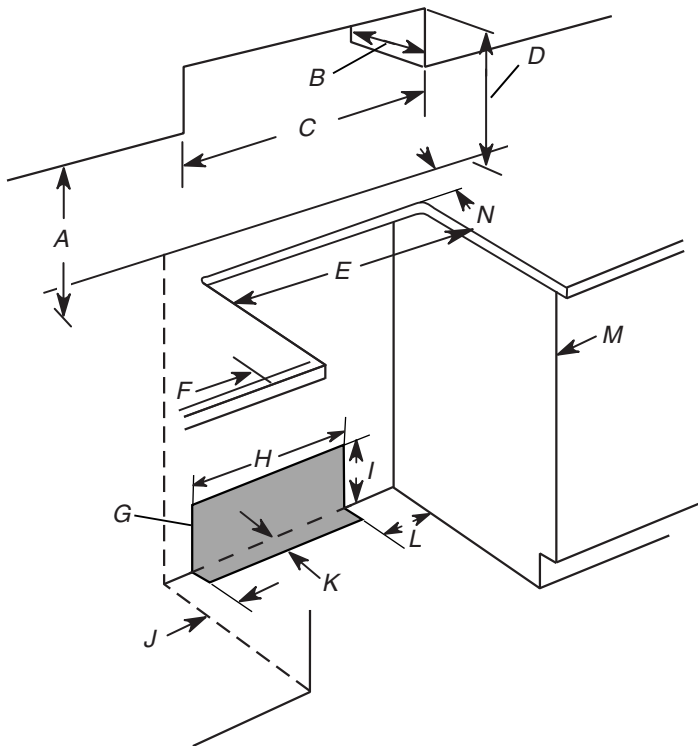
Les dimensions de l'ouverture entre les placards correspondent à une installation entre des placards de 25" (64,0 cm) de profondeur, avec plan de travail de 24" (61,0 cm) de profondeur et de 36" (91,4 cm) de hauteur.

**IMPORTANT :** En cas d'installation d'une hotte ou d'un ensemble hotte/four à micro-ondes au-dessus de la cuisinière, suivre les instructions fournies avec ces appareils concernant les dégagements à respecter au-dessus de la surface de la table de cuisson.

Une cuisinière peut être installée à côté de parois combustibles sans aucun espace.

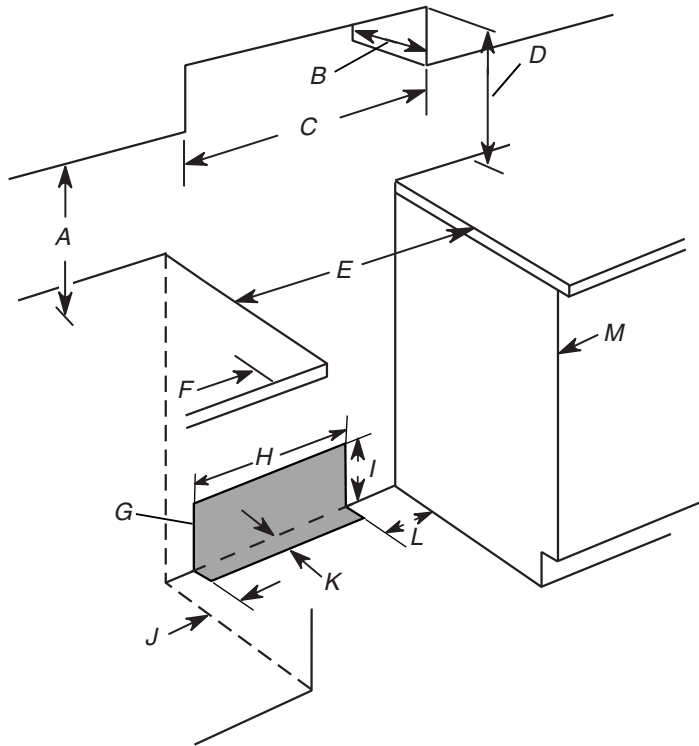
**REMARQUE :** Lorsqu'une cuisinière encastrée est glissée dans une ouverture prévue à cet effet, l'avant de la porte du four peut dépasser du meuble.

### Découpe pour cuisinière encastrée



- A. 18" (45,7 cm) entre le placard latéral supérieur et le plan de travail
- B. 13" (33 cm) de profondeur maximale du placard supérieur
- C. 30" (76,2 cm) de largeur min. d'ouverture
- D. Pour le dégagement minimum par rapport au dessus de la table de cuisson, voir la REMARQUE\*.
- E. Largeur min. d'ouverture 30" (76,2 cm)
- F. Dégagement minimal de 3" (7,6 cm) entre l'un ou l'autre côté de la cuisinière et la paroi latérale ou d'autres matériaux combustibles
- G. Il est recommandé d'effectuer l'installation de la canalisation de gaz rigide et de la prise reliée à la terre dans cette zone grisée.
- H. 13 1/8" (33,3 cm)
- I. 7 1/16" (19,5 cm)
- J. 4 13/16" (12,2 cm)
- K. 3 1/16" (9,4 cm) plus la mesure de N
- L. 12" (30,5 cm)
- M. La porte du placard ou ses charnières ne doit pas dépasser à l'intérieur de l'ouverture.
- N. La profondeur restante du plan de travail ne doit pas dépasser 2 1/4" (5,7 cm)

### Découpe pour cuisinière autoportante



- A. 18" (45,7 cm) entre le placard latéral supérieur et le plan de travail
- B. 13" (33 cm) de profondeur maximale du placard supérieur
- C. 30" (76,2 cm) de largeur min. d'ouverture
- D. Pour le dégagement minimum par rapport au dessus de la table de cuisson, voir la REMARQUE\*.
- E. Largeur min. d'ouverture 30" (76,2 cm)
- F. Dégagement minimal de 3" (7,6 cm) entre l'un ou l'autre côté de la cuisinière et la paroi latérale ou d'autres matériaux combustibles
- G. Il est recommandé d'effectuer l'installation de la canalisation de gaz rigide et de la prise reliée à la terre dans cette zone grisée.
- H. 13 1/8" (33,3 cm)
- I. 7 1/16" (19,5 cm)
- J. 4 13/16" (12,2 cm)
- K. 3 1/16" (9,4 cm)
- L. 12" (30,5 cm)
- M. La porte du placard ou ses charnières ne doit pas dépasser à l'intérieur de l'ouverture.

**\*REMARQUE :** Distance de séparation de 24" (61,0 cm) ou plus lorsque le fond d'un placard de bois ou de métal est protégé par une planche ignifugée d'au moins 1/4" (0,64 cm) recouverte d'une feuille métallique d'épaisseur égale ou supérieure à : acier calibre 28 MSG, acier inoxydable 0,015" (0,4 mm), aluminium 0,024" (0,6 mm) ou cuivre 0,020" (0,5 mm).

Distance de séparation minimale de 30" (76,2 cm) entre le dessus de la table de cuisson et le fond d'un placard de bois ou de métal non protégé.

## Spécifications électriques

### **⚠ AVERTISSEMENT**



#### Risque de choc électrique

**Brancher sur une prise à 3 alvéoles reliée à la terre.**

**Ne pas enlever la broche de liaison à la terre.**

**Ne pas utiliser un adaptateur.**

**Ne pas utiliser un câble de rallonge.**

**Le non-respect de ces instructions peut causer un décès, un incendie ou un choc électrique.**

**IMPORTANT :** La cuisinière doit être électriquement reliée à la terre conformément aux prescriptions des codes et règlements locaux; en l'absence de code local, respecter les prescriptions du code national en vigueur : National Electrical Code, ANSI/NFPA 70, ou Code canadien de l'électricité, CSA C22.1.

Cette cuisinière est dotée d'un système d'allumage électronique qui ne fonctionnera pas correctement en cas de branchement dans une prise qui n'est pas correctement polarisée.

Si un conducteur distinct de liaison à la terre est utilisé (lorsque le code en vigueur le permet), on recommande qu'un électricien qualifié vérifie la qualité de la liaison à la terre.

On peut obtenir un exemplaire des normes du code national en vigueur à l'adresse suivante :

National Fire Protection Association  
1 Batterymarch Park,  
Quincy, MA 02169-7471

CSA International  
8501 East Pleasant Valley Road  
Cleveland, OH 44131-5575

- L'appareil doit être alimenté par un circuit polarisé de 120 V, CA seulement, 60 Hz, protégé par fusible 15 A et mis à la terre. On recommande également d'utiliser un fusible ou un disjoncteur temporisé. Il est recommandé de raccorder l'appareil sur un circuit distinct exclusif à cet appareil.
- Les dispositifs d'allumage électronique peuvent fonctionner correctement dans une plage de tension d'alimentation étendue, mais il est nécessaire de respecter la polarité stipulée et d'établir une liaison à la terre adéquate. Vérifier que la prise de courant fournit une tension de 120 V et qu'elle est correctement reliée à la terre.
- Il n'est pas nécessaire de brancher cette cuisinière à gaz à une prise équipée d'un disjoncteur différentiel. Il est recommandé de ne pas brancher une cuisinière à gaz ou tout autre gros appareil électroménager à allumage électrique par étincelle dans une prise murale à disjoncteur différentiel, car ce dernier peut se déclencher lors de l'utilisation normale de l'allumeur.
- La performance de cette cuisinière ne change pas si elle est branchée à un circuit protégé par disjoncteur différentiel. Toutefois, le déclenchement intempestif du disjoncteur différentiel en utilisation normale peut se produire du fait de la nature des cuisinières à gaz à allumage électronique.

- La fiche technique et le schéma de câblage sont situés à l'arrière de la cuisinière, dans un sachet plastique.

**REMARQUE :** Le châssis métallique de la cuisinière doit être relié à la terre pour que le tableau de commande puisse fonctionner correctement. Si le châssis métallique de la cuisinière n'est pas relié à la terre, aucune touche du tableau de commande ne peut fonctionner. En cas de doute quant à la qualité de la liaison à la terre du châssis en métal de la cuisinière, consulter un électricien qualifié.

## Spécifications de l'alimentation en gaz

### **⚠ AVERTISSEMENT**



#### Risque d'explosion

**Utiliser une canalisation neuve d'arrivée de gaz approuvée par la CSA International.**

**Installer un robinet d'arrêt.**

**Bien serrer chaque organe de connexion de la canalisation de gaz.**

**En cas de connexion au gaz propane, demander à une personne qualifiée de s'assurer que la pression de gaz ne dépasse pas 36 cm (14 po) de la colonne d'eau.**

**Par personne qualifiée, on comprend :**

**le personnel autorisé de chauffage,  
le personnel autorisé d'une compagnie de gaz, et  
le personnel d'entretien autorisé.**

**Le non-respect de ces instructions peut causer un décès, une explosion ou un incendie.**

Observer toutes les prescriptions des codes et règlements en vigueur.

**IMPORTANT :** L'installation doit satisfaire aux critères de tous les codes et règlements locaux. En l'absence de code local, l'installation doit satisfaire aux prescriptions de la plus récente édition du : National Fuel Gas Code ANSI Z223.1 (American National Standard), ou CAN/CGA B149 (édition la plus récente).

**IMPORTANT :** Les tests de fuite de la cuisinière doivent être effectués selon les instructions du fabricant.

### Type de gaz

#### Gaz naturel :

La conception de cette cuisinière a été homologuée par CSA International pour l'alimentation au gaz naturel, ou pour l'alimentation au propane après conversion adéquate.

- Cette cuisinière a été configurée à l'usine pour l'alimentation au gaz naturel. Voir la section "Conversions pour changement de gaz". La plaque signalétique située sur le châssis du four, derrière le côté supérieur droit de la porte du four indique les types de gaz utilisables. Si le type de gaz disponible n'est pas mentionné, consulter le fournisseur de gaz local.

## Conversion pour l'alimentation au propane :

L'opération de conversion doit être exécutée par un technicien qualifié.

Consulter le fournisseur de gaz avant toute conversion de l'appareil pour l'utilisation d'un type de gaz qui n'est pas mentionné sur la plaque signalétique. Voir la section "Conversions pour changement de gaz".

## Canalisation d'alimentation en gaz

- Installer une canalisation d'alimentation en gaz rigide de  $\frac{3}{4}$ " (1,9 cm) jusqu'à l'emplacement d'installation de la cuisinière. L'emploi d'une canalisation de plus petit diamètre ou plus longue peut susciter une déficience du débit d'alimentation. Pour l'alimentation au propane, le diamètre des canalisations doit être de  $\frac{1}{2}$ " (1,3 cm) ou plus. Généralement, le fournisseur de gaz propane détermine les matériaux à utiliser et la dimension appropriée.

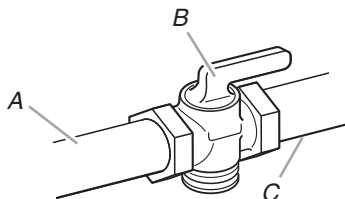
**REMARQUE :** On doit utiliser un composé d'étanchéité pour tuyauteries résistant à l'action du gaz propane. Ne pas utiliser de ruban TEFLON<sup>†</sup>.

### Raccord métallique flexible pour appareil ménager :

- Si les codes locaux le permettent, pour raccorder la cuisinière à la canalisation de gaz, on peut utiliser un raccord métallique flexible pour appareil ménager neuf (homologation CSA) de 4 à 5 pi (122 à 152,4 cm) de longueur, de diamètre interne de  $\frac{1}{2}$ " ou  $\frac{3}{4}$ " (1,3 ou 1,9 cm).



- Un raccord avec filetage mâle de  $\frac{1}{2}$ " (1,3 cm) est nécessaire pour la connexion sur le raccord à filetage femelle à l'entrée du détendeur de l'appareil.
- Veiller à ne pas déformer ou endommager le tube métallique flexible lors d'un déplacement de la cuisinière.
- Robinet d'arrêt nécessaire : La canalisation d'alimentation doit comporter un robinet d'arrêt manuel. Le robinet d'arrêt manuel doit être séparé de l'ouverture de la cuisinière, mais doit se trouver dans la même pièce, par exemple dans un placard adjacent. La canalisation doit se trouver en un endroit facilement accessible pour les manœuvres d'ouverture/fermeture. Ne pas entraver l'accès au robinet d'arrêt manuel. Le robinet d'arrêt manuel est prévu pour ouvrir ou fermer l'alimentation en gaz de la cuisinière.



A. Canalisation d'alimentation en gaz  
B. Robinet d'arrêt en position d'ouverture  
C. Vers la cuisinière

## Détendeur

Le détendeur fourni avec cette cuisinière doit être utilisé. Pour un fonctionnement correct, la pression d'alimentation du détendeur doit être comme suit :

### Gaz naturel :

Pression minimum : 5" (colonne d'eau)

Pression maximum : 14" (colonne d'eau)

### Gaz propane :

Pression minimum : 11" (colonne d'eau)

Pression maximum : 14" (colonne d'eau)

En cas d'incertitude quant à la pression d'alimentation à établir, contacter le fournisseur de gaz local.

## Débit thermique des brûleurs

Les débits thermiques indiqués sur la plaque signalétique correspondent à une altitude d'utilisation inférieure ou égale à 2000 pi (609,6 m).

Lorsque l'appareil est utilisé à une altitude supérieure à 2000 pi (609,6 m), on doit réduire le débit thermique indiqué de 4 % pour chaque tranche de 1000 pi (304,8 m) au-dessus du niveau de la mer (pas applicable au Canada).

## Tests de pressurisation de la canalisation de gaz

On doit tester le détendeur sous une pression supérieure d'au moins 1" à la pression de la tubulure de distribution indiquée sur la plaque signalétique.

### Pressurisation à une pression supérieure à $\frac{1}{2}$ lb/po<sup>2</sup> (14" - colonne d'eau)

Lors de tout test de pressurisation de ce système à une pression supérieure à  $\frac{1}{2}$  lb/po<sup>2</sup> (3,5 kPa), on doit déconnecter la cuisinière et son robinet d'arrêt individuel de la canalisation de gaz.

### Pressurisation à une pression égale ou inférieure à $\frac{1}{2}$ lb/po<sup>2</sup> (14" - colonne d'eau)

Lors de tout test de pressurisation de la canalisation de gaz à une pression égale ou inférieure à  $\frac{1}{2}$  lb/po<sup>2</sup> (3,5 kPa), on doit isoler la cuisinière de la canalisation de gaz par fermeture de son robinet d'arrêt manuel individuel.

<sup>†</sup>TEFLON est une marque déposée de E.I. Du Pont De Nemours et Compagnie.

# INSTRUCTIONS D'INSTALLATION

## Déballage de la cuisinière

### **⚠ AVERTISSEMENT**

#### Risque du poids excessif

Utiliser deux ou plus de personnes pour déplacer et installer la cuisinière.

Le non-respect de cette instruction peut causer une blessure au dos ou d'autre blessure.

1. Ôter les matériaux d'emballage, le ruban adhésif et la pellicule protectrice de la cuisinière. Garder la base de carton sous la cuisinière. Ne rien jeter avant d'avoir complètement terminé l'installation.
2. Retirer les grilles de four et le sachet de pièces du four et des matériaux d'emballage.
3. Pour retirer le fond en carton, prendre d'abord les 4 coins en carton de la caisse. Empiler l'un des coins sur un autre. Répéter avec les 2 autres coins. Les disposer sur le plancher dans le sens de la longueur derrière la cuisinière, à titre de support de la cuisinière lorsque celle-ci est placée sur sa partie postérieure.
4. À 2 personnes au moins, saisir fermement la cuisinière et la déposer délicatement sur sa partie postérieure, sur les coins en carton.
5. Retirer le fond en carton.

Les pieds de nivellement peuvent être réglés pendant que la cuisinière repose sur sa partie postérieure. Voir la section "Réglage des pieds de nivellement".

**REMARQUE :** Pour relever la cuisinière en position verticale, placer un carton ou un panneau de fibres dur au sol devant la cuisinière pour protéger le plancher. À 2 personnes au moins, redresser la cuisinière et la placer sur le carton ou le panneau de fibres dur.

## Installation de la bride antibasculement

### **⚠ AVERTISSEMENT**



#### Risque de basculement

Un enfant ou une personne adulte peut faire basculer la cuisinière, ce qui peut causer un décès.

Fixer la bride antibasculement au plancher ou au mur, conformément aux instructions d'installation.

Faire glisser de nouveau la cuisinière de façon à ce que le pied arrière de la cuisinière se trouve dans la fente de la bride antibasculement.

Réengager la bride antibasculement si la cuisinière a été déplacée.

Ne pas faire fonctionner la cuisinière si la bride antibasculement n'est pas installée et engagée.

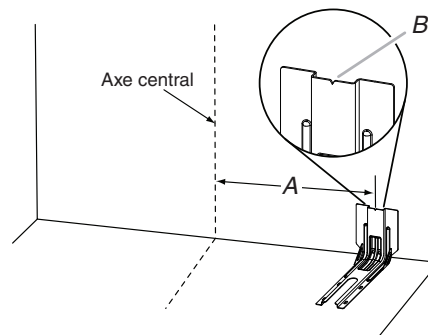
Le non-respect de ces instructions peut causer un décès ou des brûlures graves aux enfants et aux adultes.

1. Sortir la bride antibasculement de l'intérieur du four.
2. Déterminer la méthode de montage à utiliser : au plancher ou au mur.

Pour un plancher en pierre ou en briquetage, on peut utiliser la méthode de montage au mur. En cas d'installation de la cuisinière dans une résidence mobile, il est impératif de fixer la cuisinière au sol.

Cette bride antibasculement et les vis peuvent servir avec des goujons en métal ou en bois.

3. Déterminer et marquer l'axe central de l'espace à découper. Le montage peut être effectué du côté gauche ou droit de la découpe. Positionner la bride de montage contre le mur dans l'ouverture, de telle sorte que l'encoche en V de la bride se trouve à 12½" (31,8 cm) de l'axe central, tel qu'illustré.

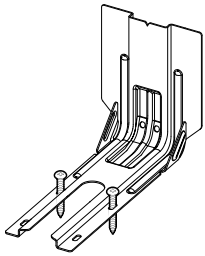


A. 12½" (31,8 cm)

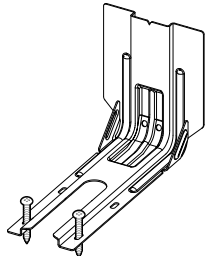
B. Encoche en V de la bride

4. Percer deux trous de  $\frac{1}{8}$ " (3 mm) qui correspondent aux trous de la bride selon la méthode de montage déterminée. Voir les illustrations suivantes.

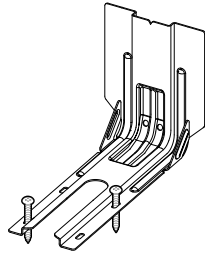
#### Montage au plancher



Position arrière

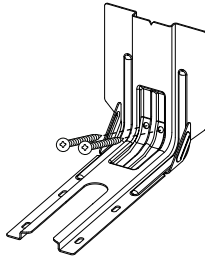


Position avant

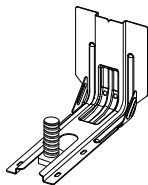


Diagonale (2 options)

#### Montage mural



5. À l'aide des deux vis à tête Phillips n° 10 x  $1\frac{5}{8}$ " (4,1 cm) fournies, visser la bride antibasculement au mur ou au plancher.
6. Rapprocher la cuisinière le plus près possible de l'ouverture afin de faciliter les raccordements électriques définitifs. Retirer la plaque de transport, le carton ou le panneau de fibres dur de sous la cuisinière.
7. Placer la cuisinière dans son emplacement définitif en s'assurant que le pied de nivellement arrière glisse dans la bride antibasculement.



8. Déplacer la cuisinière vers l'avant sur sa plaque de transport, son carton ou son panneau de fibres dur pour poursuivre l'installation de la cuisinière à l'aide des instructions d'installation suivantes.

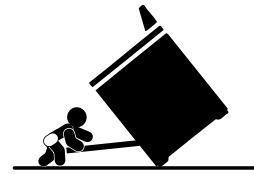
## Réglage des pieds de nivellement

1. Si un ajustement de la hauteur de la cuisinière est nécessaire, utiliser une clé ou une pince pour desserrer les 4 pieds de nivellement.

Cette opération peut être effectuée alors que la cuisinière repose sur sa partie postérieure ou sur 2 pieds après avoir été relevée en position verticale.

**REMARQUE :** Pour placer à nouveau la cuisinière en position verticale, placer un carton ou un panneau de fibres dur devant la cuisinière. À 2 personnes au moins, redresser la cuisinière et la placer sur le carton ou le panneau de fibres dur.

## ⚠ AVERTISSEMENT



### Risque de basculement

**Un enfant ou une personne adulte peut faire basculer la cuisinière, ce qui peut causer un décès.**

**Fixer la bride antibasculement au plancher ou au mur, conformément aux instructions d'installation.**

**Faire glisser de nouveau la cuisinière de façon à ce que le pied arrière de la cuisinière se trouve dans la fente de la bride antibasculement.**

**Réengager la bride antibasculement si la cuisinière a été déplacée.**

**Ne pas faire fonctionner la cuisinière si la bride antibasculement n'est pas installée et engagée.**

**Le non-respect de ces instructions peut causer un décès ou des brûlures graves aux enfants et aux adultes.**

2. Mesurer la distance entre le haut du plan de travail et le plancher.
3. Mesurer la distance entre le haut de la table de cuisson et le bas des pieds de nivellement. Cette distance doit être la même. Dans le cas contraire, régler les pieds de nivellement à la hauteur correcte. Les pieds de nivellement peuvent être desserrés pour ajouter une hauteur maximale de 1" (2,5 cm). Une longueur minimale de  $\frac{3}{16}$ " (5 mm) est nécessaire pour engager la bride antibasculement.

**REMARQUE :** Si un ajustement de la hauteur est effectué alors que la cuisinière est debout, incliner la cuisinière vers l'arrière pour ajuster les pieds avant, puis incliner la cuisinière vers l'avant pour ajuster les pieds arrière.

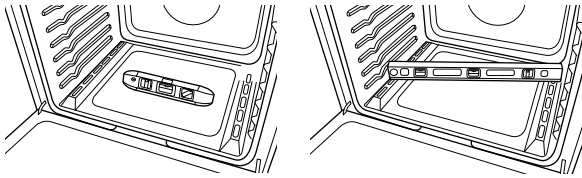
4. Lorsque la cuisinière est à la hauteur souhaitée, vérifier que l'espace sous la cuisinière est suffisant pour loger la bride antibasculement. Avant de faire glisser la cuisinière à son emplacement final, vérifier qu'il sera possible de faire glisser la bride antibasculement sous la cuisinière et sur le pied de nivellement arrière avant l'installation de la bride antibasculement.

**REMARQUE :** En cas d'utilisation d'un jeu de garnitures, le dessus de la table de cuisson doit être plus haut que le plan de travail. Voir les instructions d'installation fournies avec le jeu de garnitures pour la hauteur correcte.



## Réglage de l'aplomb de la cuisinière

1. En fonction de la taille du niveau, le placer sur le bas du four tel qu'indiqué dans l'une des deux figures ci-dessous. Contrôler l'aplomb transversal et dans le sens avant/arrière.



2. Si la cuisinière n'est pas horizontale, utiliser une clé ou une pince pour régler les pieds de nivellement vers le haut ou vers le bas jusqu'à ce que la cuisinière soit d'aplomb.

**REMARQUE :** La cuisinière doit être d'aplomb pour obtenir les résultats de cuisson au four satisfaisants et un nettoyage optimal avec la technologie d'autonettoyage AquaLift®.

## Raccordement au gaz

### ⚠ AVERTISSEMENT



#### Risque d'explosion

Utiliser une canalisation neuve d'arrivée de gaz approuvée par la CSA International.

Installer un robinet d'arrêt.

Bien serrer chaque organe de connexion de la canalisation de gaz.

En cas de connexion au gaz propane, demander à une personne qualifiée de s'assurer que la pression de gaz ne dépasse pas 36 cm (14 po) de la colonne d'eau.

Par personne qualifiée, on comprend :

le personnel autorisé de chauffage,  
le personnel autorisé d'une compagnie de gaz, et  
le personnel d'entretien autorisé.

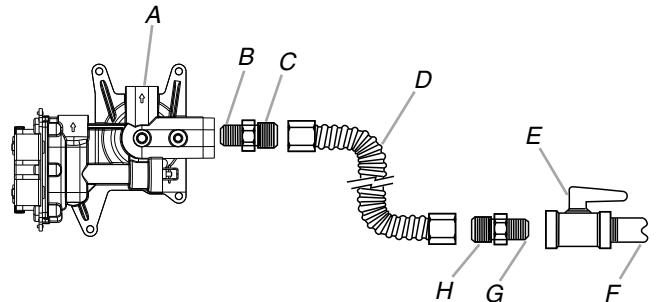
Le non-respect de ces instructions peut causer un décès, une explosion ou un incendie.

Cette cuisinière a été configurée à l'usine pour l'alimentation au gaz naturel. Pour utiliser cette cuisinière avec du gaz propane, voir la section "Conversions pour changement de gaz" avant de la relier à l'alimentation en gaz. Les conversions pour changement de gaz naturel à propane ou de propane à gaz naturel doivent être effectuées par un installateur qualifié.

## Raccordement typique par raccord flexible

1. Appliquer un composé d'étanchéité des filetages résistant au propane sur l'extrémité filetée la plus petite des adaptateurs de raccord flexible (voir B et G dans l'illustration suivante).
2. Fixer un adaptateur sur le détendeur et l'autre adaptateur sur le robinet d'arrêt de la canalisation de gaz. Serrer les deux adaptateurs en veillant à ne pas déplacer ni faire tourner le détendeur.
3. Utiliser une clé mixte de  $1\frac{5}{16}$ " (2,4 cm) et une pince multiprise pour fixer le raccord flexible sur les adaptateurs.

**IMPORTANT :** Tous les raccords doivent être bien serrés à l'aide d'une clé. Ne pas serrer excessivement la connexion sur le détendeur. Un serrage excessif pourrait provoquer une fissuration du détendeur et une fuite de gaz. Lors du serrage d'un raccord, empêcher le détendeur de tourner.



A. Détendeur

B. Utiliser un composé d'étanchéité pour tuyauteries.

C. Adaptateur (doit comporter un filetage mâle de  $\frac{1}{2}$ " [1,3 cm])

D. Raccord flexible

E. Robinet d'arrêt manuel

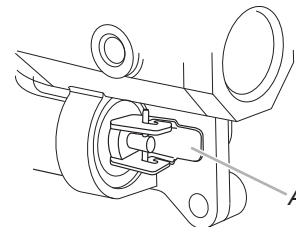
F. Conduite de gaz de  $\frac{1}{2}$ " (1,3 cm) ou  $\frac{3}{4}$ " (1,9 cm)

G. Utiliser un composé d'étanchéité pour tuyauteries.

H. Adaptateur

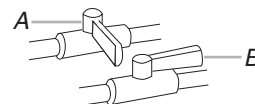
## Achever le raccordement

1. Vérifier que le robinet d'arrêt du détendeur est à la position "On" (ouvert).



A. Robinet d'arrêt du détendeur illustré en position ouverte

2. Ouvrir le robinet d'arrêt manuel sur la canalisation d'alimentation en gaz. Le robinet est ouvert lorsque la poignée est parallèle au conduit d'alimentation en gaz.



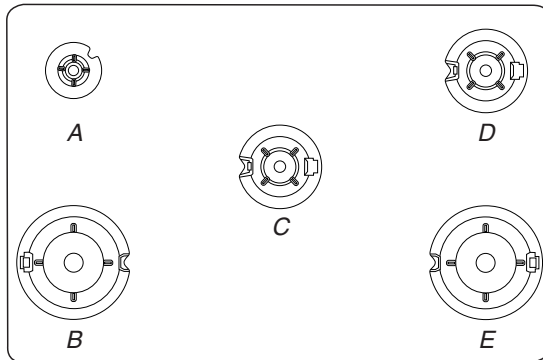
A. Robinet fermé

B. Robinet ouvert

3. Vérifier tous les raccords en les badigeonnant d'une solution de détection des fuites non corrosive approuvée. L'apparition de bulles indique une fuite. Réparer toute fuite éventuelle.

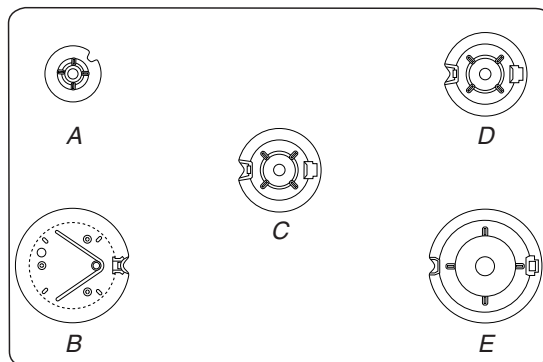
4. Ôter les chapeaux et les bases de brûleur de la table de cuisson du sachet de pièces. Placer les bases de brûleur comme indiqué dans l'illustration suivante correspondant à votre modèle :

Pour les modèles MGS8880D, WEG730H0D et WEG760H0D :



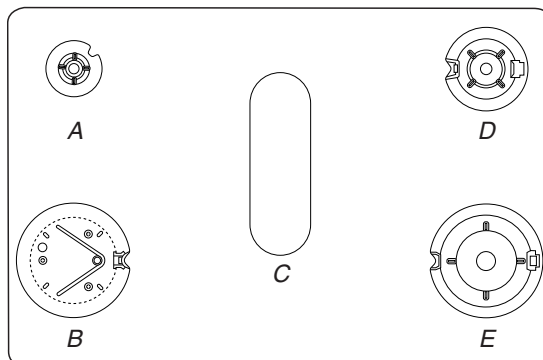
A. Petit C. Moyen D. Moyen  
B. Grand E. Grand

Pour les modèles KSGG700E et KSGB900E :



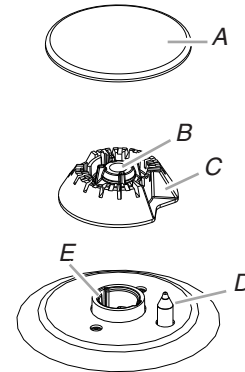
A. Petit C. Moyen D. Moyen  
B. Très grand E. Grand

Pour le modèle JGS1450D :



A. Petit C. Ovale D. Moyen  
B. Très grand E. Grand

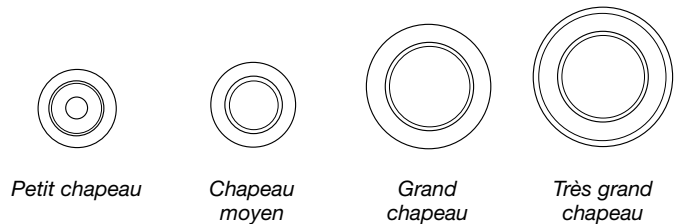
5. Aligner l'ouverture du tube d'arrivée de gaz de la base du brûleur avec le support de gicleur sur la table de cuisson et l'électrode d'allumage avec l'encoche ménagée sur la base du brûleur.



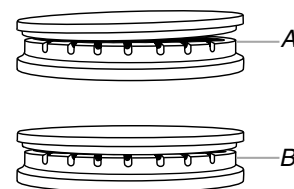
A. Chapeau de brûleur D. Électrode d'allumage  
B. Tube d'arrivée de gaz E. Support du gicleur  
C. Base du brûleur

6. Placer les chapeaux de brûleur sur les bases de brûleur correspondantes.

**IMPORTANT :** Les dessous des chapeaux petit et moyen sont différents. Ne pas placer un chapeau de la taille incorrecte sur la base du brûleur.



Un chapeau de brûleur correctement placé doit être horizontal. Si les chapeaux de brûleur ne sont pas correctement installés, les brûleurs de surface ne s'allumeront pas. Lorsque le chapeau de brûleur est correctement aligné, il ne balance pas et n'oscille pas.



A. Incorrect  
B. Correct

# ⚠ AVERTISSEMENT



## Risque de choc électrique

**Brancher sur une prise à 3 alvéoles reliée à la terre.**

**Ne pas enlever la broche de liaison à la terre.**

**Ne pas utiliser un adaptateur.**

**Ne pas utiliser un câble de rallonge.**

**Le non-respect de ces instructions peut causer un décès, un incendie ou un choc électrique.**

7. Brancher sur une prise de courant à 3 alvéoles, reliée à la terre.

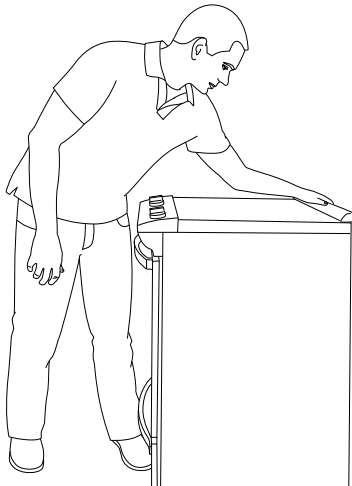
## Vérifier que la bride antibasculement est bien installée et engagée

### Sur les cuisinières équipées d'un tiroir de remisage de qualité supérieure :

1. Faire glisser la cuisinière dans son emplacement définitif en s'assurant que le pied de nivellement arrière glisse dans la bride antibasculement.
2. Retirer le tiroir de remisage de qualité supérieure. Voir la section "Dépose et repose du tiroir".
3. Au moyen d'une torche électrique, inspecter le dessous de la cuisinière.
4. Vérifier visuellement que le pied arrière de la cuisinière se trouve dans la fente de la bride antibasculement.

### Sur les cuisinières équipées d'un tiroir-réchaud ou d'un tiroir de cuisson :

1. Rapprocher la cuisinière de son emplacement définitif en s'assurant que le pied de nivellement arrière glisse dans la bride antibasculement. Laisser un espace de 1" (2,5 cm) entre l'arrière de la cuisinière et le mur.
2. Placer l'extérieur du pied contre le bord inférieur avant du tiroir-réchaud ou tiroir de cuisson pour immobiliser la cuisinière, puis saisir l'arrière de la cuisinière comme illustré.



3. Tenter d'incliner la cuisinière vers l'avant avec précaution.  
En cas de résistance immédiate, cela signifie que le pied de la cuisinière est engagé dans la bride antibasculement. Passer à l'étape 8.
4. Si l'arrière de la cuisinière se soulève de plus de ½" (1,3 cm) du plancher sans opposer de résistance, cesser d'incliner la cuisinière et la reposer doucement sur le plancher. Le pied de la cuisinière n'est pas engagé dans la bride antibasculement.  
**IMPORTANT :** Si l'on entend un claquement ou un bruit d'éclatement lorsqu'on soulève la cuisinière, cela signifie peut-être que la cuisinière n'est pas bien engagée dans la bride. Vérifier qu'aucun obstacle n'empêche la cuisinière de glisser jusqu'au mur ou le pied de la cuisinière de glisser dans la bride. Vérifier que la bride est fermement maintenue en place par les vis de montage.
5. Glisser la cuisinière vers l'avant et vérifier que la bride antibasculement est bien fixée au plancher ou au mur.
6. Faire glisser de nouveau la cuisinière de façon à ce que son pied arrière se trouve dans la fente de la bride antibasculement.
7. Répéter les étapes 1 et 2 pour s'assurer que le pied de la cuisinière est bien engagé dans la bride antibasculement.  
Si l'arrière de la cuisinière se soulève de plus de ½" (1,3 cm) du plancher sans opposer de résistance, cela peut signifier que la bride antibasculement n'est pas correctement installée. Ne pas faire fonctionner la cuisinière si la bride antibasculement n'est pas installée et engagée. Se reporter à la section "Garantie" du guide d'utilisation pour contacter le service de maintenance.
8. Déplacer la cuisinière à son emplacement définitif. Vérifier que la cuisinière est d'aplomb en plaçant un niveau dans le bas du four. Voir la section "Réglage de l'aplomb de la cuisinière".  
**IMPORTANT :** Si la cuisinière est déplacée pour le réglage des pieds de nivellement, vérifier que la bride antibasculement est bien engagée en répétant les étapes 1 à 8.

## Système d'allumage électronique

### Allumage initial et réglage des flammes de gaz

Un système d'allumage électronique est utilisé à la place des flammes de veille pour l'allumage des brûleurs (table de cuisson et four). Lorsqu'on place le bouton de commande de la table de cuisson à la position d'allumage, le système produit une étincelle pour allumer le brûleur. Tous les brûleurs de la table de cuisson produisent des étincelles, mais seul le brûleur dont le bouton de commande est placé en position d'allumage produira une flamme. La génération d'étincelles se poursuit tant que le bouton de commande est laissé à la position d'allumage.

Lorsqu'on place le bouton de commande du brûleur du four à la position désirée, les étincelles générées provoquent l'inflammation du gaz.

### Contrôle du fonctionnement des brûleurs de la table de cuisson

#### Brûleurs standard de la table de cuisson

Enfoncer et tourner chaque bouton de commande à la position d'allumage.

La flamme doit s'allumer sur le brûleur en moins de 4 secondes. Lors de l'allumage initial du brûleur, le délai d'allumage peut être supérieur à 4 secondes du fait de la présence d'air dans la canalisation de gaz.

#### Si les brûleurs ne s'allument pas correctement :

- Tourner le bouton de commande de la table de cuisson à la position Off (arrêt).
- Vérifier que la cuisinière est branchée sur une prise de courant à 3 alvéoles reliée à la terre. Vérifier si le disjoncteur s'est déclenché ou si un fusible est grillé.
- Vérifier que les robinets d'arrêt de gaz sont en position ouverte.
- Vérifier que les chapeaux de brûleur sont correctement placés sur la base des brûleurs.

Répéter le processus de mise en marche. Si un brûleur ne s'allume pas à ce stade, tourner les boutons de commande sur la position Off (arrêt) et contacter le revendeur ou un dépanneur agréé. Se reporter à la section "Garantie" du guide d'utilisation pour contacter le service de maintenance.

Si la flamme d'un brûleur de la table de cuisson en position "low" (bas) doit être réglée, consulter la section "Réglage de la taille des flammes".

### Contrôle du fonctionnement du brûleur de cuisson au four

1. Appuyer sur BAKE (cuisson au four).
2. Appuyer sur la touche start (mise en marche).  
Le brûleur de cuisson au four doit s'allumer en moins de 8 secondes. Lors de l'allumage initial du brûleur, le délai d'allumage peut être supérieur à 8 secondes du fait de la présence d'air dans la canalisation de gaz.
3. Après 2 minutes, ouvrir la porte du four et vérifier qu'il est chaud.

#### Si le brûleur ne s'allume pas correctement :

- Appuyer sur la touche off (arrêt).
- Vérifier que la cuisinière est branchée sur une prise de courant à 3 alvéoles reliée à la terre. Vérifier si le disjoncteur s'est déclenché ou si un fusible est grillé.
- Vérifier que les robinets d'arrêt de gaz sont en position ouverte.

Répéter les étapes 1 à 3. Si à ce stade le brûleur ne s'allume pas, appuyer sur la touche off (arrêt) et contacter le revendeur ou un dépanneur agréé. Se reporter à la section "Garantie" du guide d'utilisation pour contacter le service de maintenance.

Si la flamme du brûleur de cuisson au four doit être réglée, consulter la section "Réglage de la taille des flammes".

Consulter le Guide d'utilisation pour le bon fonctionnement des commandes du four.

### Contrôle du fonctionnement du brûleur du grill

1. Fermer la porte du four.
2. Appuyer sur BROIL (cuisson au grill).
3. Appuyer sur la touche start (mise en marche).  
Le brûleur de cuisson au four doit s'allumer en moins de 8 secondes. Lors de l'allumage initial du brûleur, le délai d'allumage peut être supérieur à 8 secondes du fait de la présence d'air dans la canalisation de gaz.
4. Après 2 minutes, ouvrir la porte du four et vérifier qu'il est chaud.

#### Si le brûleur ne s'allume pas correctement :

- Appuyer sur la touche off (arrêt).
- Vérifier que la cuisinière est branchée sur une prise de courant à 3 alvéoles reliée à la terre. Vérifier si le disjoncteur s'est déclenché ou si un fusible est grillé.
- Vérifier que les robinets d'arrêt de gaz sont en position ouverte.

Répéter les étapes 1 à 3. Si à ce stade le brûleur ne s'allume pas, appuyer sur la touche off (arrêt) et contacter le revendeur ou un dépanneur agréé. Se reporter à la section "Garantie" du guide d'utilisation pour contacter le service de maintenance.

Si la flamme du brûleur de cuisson au grill doit être réglée, consulter la section "Réglage de la taille des flammes".

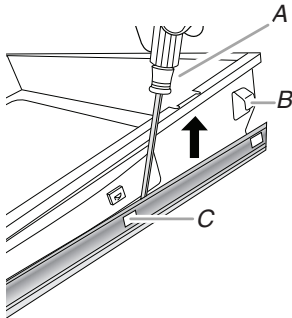
Consulter le Guide d'utilisation pour le bon fonctionnement des commandes du four.

## Dépose et réinstallation du tiroir (sur certains modèles)

Enlever tous les articles de l'intérieur du tiroir de cuisson au four, tiroir-réchaud ou tiroir de remisage de qualité supérieure et laisser la cuisinière refroidir complètement avant d'essayer d'enlever le tiroir.

### Dépose :

1. Ouvrir complètement le tiroir.
2. À l'aide d'un tournevis à lame plate, desserrer doucement le tiroir pour le dégager de l'encoche d'alignement de glissière et soulever l'onglet d'alignement du tiroir pour le dégager de la glissière.

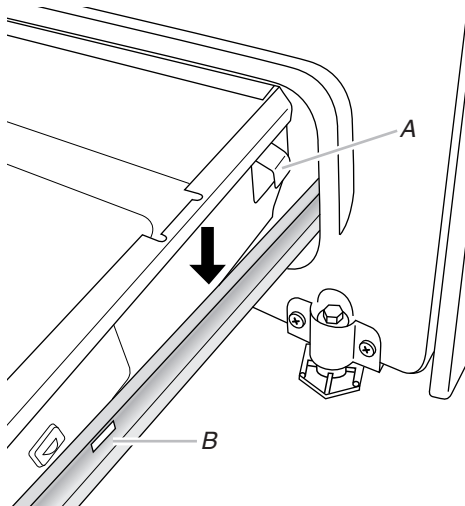


A. Tournevis à lame plate  
B. Onglet d'alignement du tiroir  
C. Encoche de glissière du tiroir

3. Répéter l'étape 2 pour l'autre côté. Le tiroir n'est plus fixé aux glissières de tiroir. Avec les deux mains, saisir le tiroir pour le retirer complètement.

### Réinstallation :

1. Aligner les encoches de l'avant du tiroir avec les encoches des glissières latérales à l'intérieur du tiroir (de chaque côté). Placer les onglets d'alignement arrière dans les glissières de tiroir (de chaque côté).



A. Onglet d'alignement du tiroir  
B. Encoche de glissière du tiroir

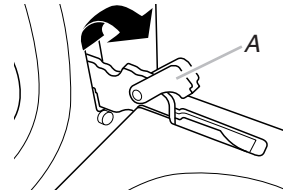
2. Pousser le tiroir complètement.
3. Ouvrir et fermer délicatement le tiroir pour s'assurer qu'il est bien engagé dans les glissières (de chaque côté).

## Porte du four

Il n'est pas recommandé d'enlever la porte du four pour une utilisation normale. Toutefois, si la dépose est nécessaire, s'assurer que le four est éteint et froid. Ensuite, suivre les instructions ci-dessous. La porte du four est lourde.

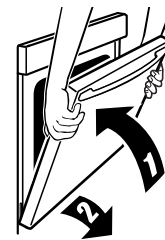
### Démontage :

1. Ouvrir la porte du four complètement.
2. Pincer le loquet de charnière entre les deux doigts et le tirer vers l'avant. Répéter cette opération pour l'autre côté de la porte du four.



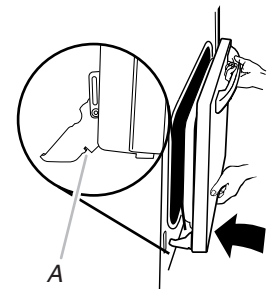
A. Loquet de charnière

3. Fermer la porte du four aussi loin que possible.
4. Soulever la porte du four en la retenant de chaque côté. Tout en la maintenant en position fermée, la dégager du cadre de la porte du four.



### Remontage :

1. Insérer les deux bras de suspension dans la porte. Vérifier que les encoches de charnière sont engagées dans le cadre de la porte du four.



A. Encoche de charnière

2. Ouvrir la porte du four.  
La porte doit pouvoir s'ouvrir complètement.
3. Remettre les leviers des charnières à la position verrouillée. Vérifier que la porte s'ouvre et se ferme facilement et qu'elle est bien droite en position fermée. Si tel n'est pas le cas, répéter la procédure de dépose et de repose de la porte.

---

## Achever l'installation

1. Vérifier que toutes les pièces sont maintenant installées. S'il reste une pièce, passer en revue les différentes étapes pour découvrir laquelle aurait été oubliée.
2. Vérifier la présence de tous les outils.
3. Vérifier que tous les accessoires de la cuisinière sont présents, en particulier les grilles du four. Ces accessoires peuvent se trouver dans les matériaux d'emballage de la cuisinière.
4. Éliminer/recycler tous les matériaux d'emballage.
5. Vérifier que la cuisinière est d'aplomb. Voir la section "Réglage de l'aplomb de la cuisinière".
6. Utiliser une solution d'eau tiède et de nettoyant ménager doux pour éliminer tout résidu de cire laissé par les matériaux d'emballage. Sécher soigneusement avec un chiffon doux. Pour plus d'informations, consulter la section "Entretien de la cuisinière" dans le Guide d'utilisation.
7. Lire le Guide d'utilisation.
8. Mettre en marche les brûleurs de surface et le four. Pour des instructions spécifiques concernant l'utilisation de la cuisinière, consulter le Guide d'utilisation et d'entretien ou les instructions d'utilisation.

**REMARQUE :** Au cours des premières utilisations du four, il est normal qu'il dégage des odeurs et de la fumée.

### Si la cuisinière ne fonctionne pas, contrôler ce qui suit :

- Les fusibles du domicile sont intacts et serrés; le disjoncteur n'est pas déclenché.
  - Le robinet d'arrêt du détendeur est en position ouverte.
  - La cuisinière est branchée directement sur une prise de courant à 3 alvéoles, reliée à la terre.
  - La prise de courant est correctement alimentée.
9. Après 5 minutes de fonctionnement de la cuisinière, évaluer le niveau de chaleur. Si la cuisinière est froide, arrêter la cuisinière et déterminer si le robinet d'arrêt d'alimentation en gaz est ouvert.
- Si le robinet d'arrêt de l'alimentation en gaz est fermé, l'ouvrir, puis répéter le test de 5 minutes décrit ci-dessus.
  - Si le robinet d'arrêt de l'alimentation en gaz est ouvert, le fermer et contacter un technicien qualifié.

### Pour obtenir de l'assistance ou une visite de service :

Se reporter à la section "Garantie" du Guide d'utilisation pour contacter le service de maintenance.

# CONVERSIONS POUR CHANGEMENT DE GAZ

Les conversions pour changement de gaz naturel à propane ou de propane à gaz naturel doivent être effectuées par un installateur qualifié.

## ⚠ AVERTISSEMENT



### Risque d'explosion

Utiliser une canalisation neuve d'arrivée de gaz approuvée par la CSA International.

Installer un robinet d'arrêt.

Bien serrer chaque organe de connexion de la canalisation de gaz.

En cas de connexion au gaz propane, demander à une personne qualifiée de s'assurer que la pression de gaz ne dépasse pas 36 cm (14 po) de la colonne d'eau.

Par personne qualifiée, on comprend :

le personnel autorisé de chauffage,  
le personnel autorisé d'une compagnie de gaz, et  
le personnel d'entretien autorisé.

Le non-respect de ces instructions peut causer un décès, une explosion ou un incendie.

## Conversion pour l'alimentation au propane

## ⚠ AVERTISSEMENT



### Risque de basculement

Un enfant ou une personne adulte peut faire basculer la cuisinière, ce qui peut causer un décès.

Fixer la bride antibasculement au plancher ou au mur, conformément aux instructions d'installation.

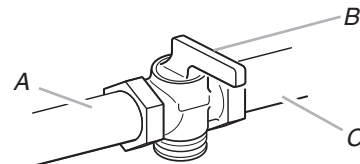
Faire glisser de nouveau la cuisinière de façon à ce que le pied arrière de la cuisinière se trouve dans la fente de la bride antibasculement.

Réengager la bride antibasculement si la cuisinière a été déplacée.

Ne pas faire fonctionner la cuisinière si la bride antibasculement n'est pas installée et engagée.

Le non-respect de ces instructions peut causer un décès ou des brûlures graves aux enfants et aux adultes.

1. Tourner le robinet d'arrêt manuel pour le placer à la position de fermeture.

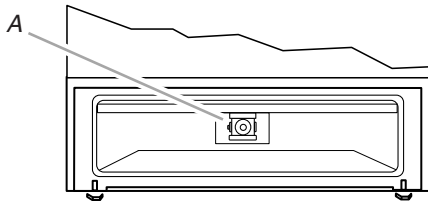


A. Canalisation d'alimentation en gaz  
B. Robinet d'arrêt manuel à la position fermée  
C. Vers la cuisinière

2. Débrancher l'appareil ou déconnecter la source de courant électrique.

## Conversion du détendeur de gaz (du gaz naturel au gaz propane)

1. Retirer le tiroir de remisage de qualité supérieure, le tiroir-réchaud, ou le tiroir de cuisson. Voir la section "Dépose et repose du tiroir".
2. Identifier le détendeur à l'arrière du compartiment du tiroir.  
**REMARQUE :** Pour les modèles avec tiroir-réchaud ou tiroir de cuisson, on doit enlever le couvercle d'accès au détendeur.

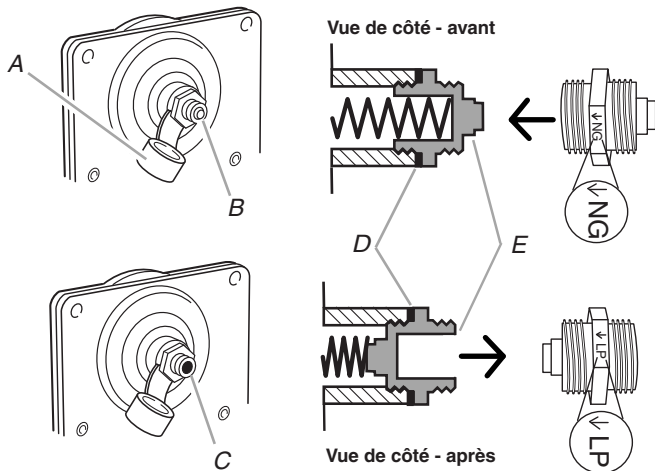


A. Détendeur

**IMPORTANT :** Ne pas enlever le détendeur.

3. Ôter le couvercle de plastique du capuchon du détendeur.
4. Avec une clé mixte de  $\frac{5}{8}$ " (1,6 cm), tourner le chapeau du détendeur dans le sens antihoraire pour l'enlever.

**REMARQUE :** Ne pas enlever le ressort situé sous le capuchon.

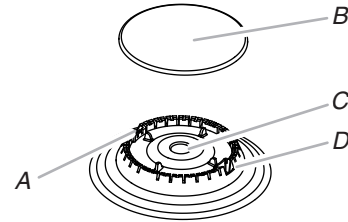


- A. Capuchon en plastique  
 B. Capuchon du détendeur; extrémité borgne vers l'extérieur  
 C. Capuchon du détendeur; extrémité creuse ouverte vers l'extérieur  
 D. Rondelle  
 E. Capuchon du détendeur

5. Retourner le chapeau du détendeur et le réinstaller sur le détendeur de façon à ce que l'extrémité creuse soit orientée vers l'extérieur et que l'indication "↓LP" soit orientée de la manière indiquée à l'illustration ci-dessus.
6. Réinstaller le couvercle de plastique par-dessus le capuchon du détendeur.

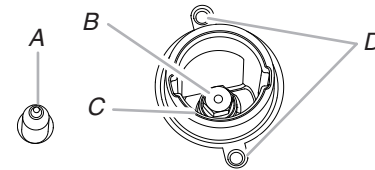
## Conversion des brûleurs de surface (de gaz naturel à gaz propane)

1. Ôter le chapeau de brûleur.
2. Ôter la base du brûleur.



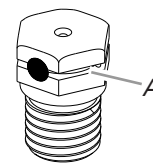
- A. Électrode d'allumage  
 B. Chapeau du brûleur  
 C. Ouverture du tube de gaz  
 D. Base du brûleur

3. Appliquer du ruban adhésif de masquage à l'extrémité d'un tourne-écrou de  $\frac{3}{32}$ " (7 mm) pour retenir le gicleur du brûleur dans le tourne-écrou durant l'extraction. Placer le tourne-écrou sur le gicleur; tourner dans le sens antihoraire et soulever pour enlever le gicleur. Conserver à part le gicleur du brûleur.



- A. Électrode d'allumage  
 B. Gicleur  
 C. Support du gicleur  
 D. Vis

4. Retirer les gicleurs fournis dans le sachet de documentation situé dans le four. Chaque gicleur est marqué d'un code d'identification gravé et d'un ou deux points colorés, et comporte une rainure dans la zone hexagonale. Remplacer le gicleur pour gaz naturel par le gicleur correct pour propane.



A. Rainure pour gaz propane

Consulter le tableau qui suit permet de sélectionner la capacité correcte de gicleur pour propane, et consulter la carte du support de gicleur pour connaître l'emplacement correct.



## Gicleurs pour propane - brûleurs de surface

Capacité/ type de brûleur	Couleur	Taille (mm)	Identifiant	Emplacement
15 000 BTU/ Superposé*	Argent Noir/ Orange	1,05 0,32	L105 L32	Avant gauche
14 200 BTU/ Ultra/ Superposé*	Argent	1,05	L105	Avant gauche/ avant droit
8 000 BTU/ Semi-rapide	Rouge/ Orange	0,85	L85	Arrière droit/ central
5 000 BTU/ Auxiliaire	Rouge/ Bleu	0,65	L65	Arrière gauche
1 200 BTU/ Superposé/ Mijotage*	Noir/ Orange	0,32	L32	Avant gauche (mijotage)

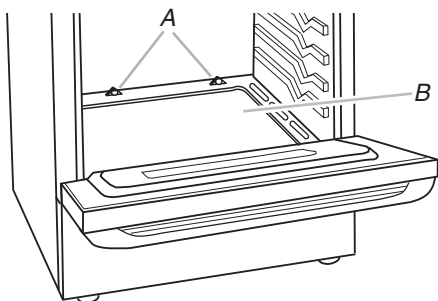
\*Pas disponible sur tous les ensembles/modèles.

**REMARQUE :** Voir la plaque signalétique située sur le cadre du four, derrière le coin supérieur droit de la porte du four pour connaître la taille de gicleur à utiliser pour chaque brûleur (selon sa position).

- Placer le gicleur pour gaz naturel dans le sachet des gicleurs.  
**IMPORTANT :** Conserver les gicleurs pour gaz naturel en cas de réinstallation ultérieure pour gaz naturel.
- Réinstaller la base du brûleur.
- Réinstaller le chapeau de brûleur.
- Répéter les étapes 1 à 7 pour les autres brûleurs.

## Conversion du brûleur de cuisson au four (de gaz naturel à gaz propane)

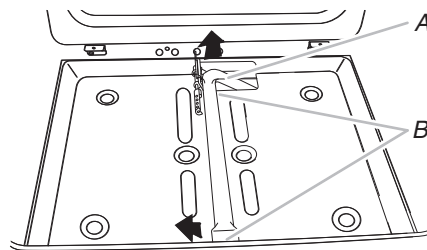
- Retirer les grilles et la porte du four. Voir la section "Porte du four".
- Ôter 2 vis et rondelles à l'arrière de la partie inférieure du four.
- Soulever l'arrière de la partie inférieure du four vers le haut et l'arrière jusqu'à dégager l'avant du panneau hors du cadre avant. Le retirer du four et le mettre de côté sur une surface couverte.



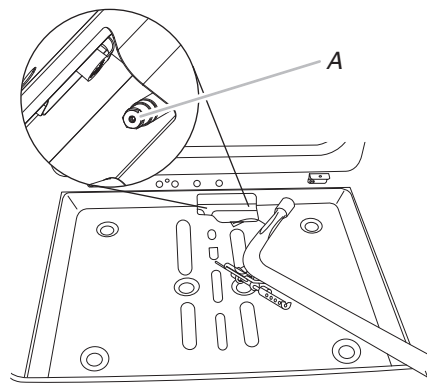
A. Vis  
B. Partie inférieure du four

- Ôter 2 vis du brûleur de cuisson au four.

- Faire glisser l'avant du brûleur de cuisson au four sur le côté pour retirer l'onglet de l'avant du four. Soulever l'arrière du brûleur de cuisson au four de l'orifice du four, et mettre le brûleur de cuisson au four de côté. Ne pas déconnecter le fil.



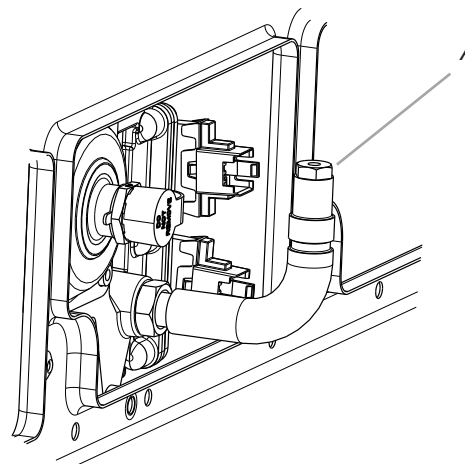
A. Brûleur de cuisson au four  
B. Vis



A. Orifice du four

- Appliquer du ruban adhésif de masquage à l'extrémité d'un tourne-écrou de  $\frac{3}{8}$ " (1 cm) pour retenir le gicleur du brûleur dans le tourne-écrou durant l'extraction. Placer le tourne-écrou sur le gicleur de gaz naturel du brûleur de cuisson au four; tourner dans le sens antihoraire pour dévisser et extraire le gicleur. Le gicleur porte la mention "47".
- Remplacer le gicleur "47" par un gicleur "56". Installer le gicleur pour gaz propane du brûleur de cuisson au four en le tournant dans le sens horaire jusqu'à ce qu'il soit serré.

**IMPORTANT :** Ne pas serrer excessivement.



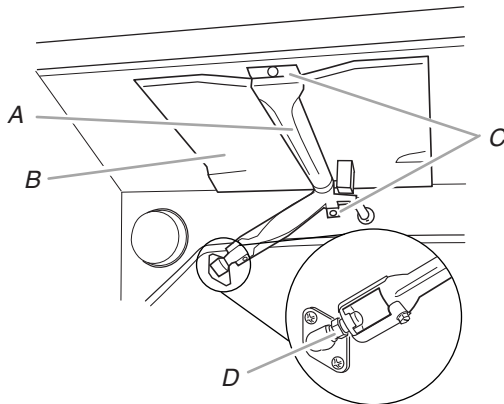
A. Gicleur

8. Positionner l'arrière du brûleur de cuisson au four sur l'orifice du four et aligner les trous pour les vis.
9. Réinstaller le brûleur de cuisson au four avec 2 vis.
10. Positionner l'avant du panneau inférieur du four vers le cadre avant et abaisser l'arrière du panneau de la partie inférieure du four pour l'insérer dans le four.
11. Réinstaller le panneau inférieur du four avec 2 vis et 2 rondelles.

### Conversion du brûleur de cuisson au grill (de gaz naturel à gaz propane)

1. Ôter 1 vis du brûleur de cuisson au grill.
2. Ôter le répartiteur de flammes.
3. Retirer le brûleur de cuisson au grill de son injecteur femelle.

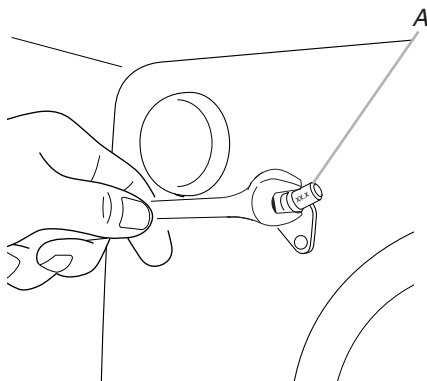
**REMARQUE :** Le brûleur de cuisson au grill pend à l'arrière du four pendant que l'on change l'injecteur femelle.



A. Brûleur de cuisson au grill  
 B. Répartiteur de flammes  
 C. Vis  
 D. Injecteur femelle

4. Appliquer du ruban adhésif de masquage à l'extrémité d'un tourne-écrou de  $\frac{3}{8}$ " (1 cm) pour retenir le gicleur du brûleur dans le tourne-écrou durant l'extraction. Placer le tourne-écrou sur l'injecteur femelle de gaz naturel du brûleur de cuisson au grill; tourner dans le sens antihoraire pour le dévisser et l'extraire. L'injecteur porte la mention "155".
5. Remplacer l'injecteur femelle "155" par un injecteur femelle "100". Installer l'injecteur femelle du brûleur du grill pour gaz propane en le tournant dans le sens horaire jusqu'à ce qu'il soit serré.

**IMPORTANT :** Ne pas serrer excessivement.



A. Injecteur femelle

6. Placer le brûleur de cuisson au grill sur l'injecteur femelle correspondant et insérer l'allumeur en céramique du brûleur de cuisson au grill dans le trou situé à l'arrière du four.
7. Replacer le répartiteur de flammes, orienté avec les quatre languettes vers le haut et les encoches vers l'arrière du four.
8. Positionner le brûleur de cuisson au grill contre la partie supérieure du four et le fixer avec 1 vis.
9. Réinstaller le tiroir de remisage de qualité supérieure, le tiroir-réchaud ou le tiroir de cuisson. Voir la section "Dépose et repose du tiroir".
10. Réinstaller la porte du four. Voir la section "Porte du four".
11. Réinstaller les grilles du four.

### Achever l'installation (de gaz naturel à propane)

1. Pour le raccordement correct de la cuisinière à l'alimentation en gaz, se reporter à la section "Raccordement au gaz".
2. Pour allumer et utiliser correctement les brûleurs, voir la section "Système d'allumage électronique".
3. Pour régler la flamme des brûleurs, se reporter à la section "Réglage de la taille des flammes".

**IMPORTANT :** Il peut être nécessaire de modifier le réglage des flammes à la position du débit thermique minimum pour chaque brûleur de la table de cuisson.

Il est très important de vérifier l'établissement de flammes correctes sur la table de cuisson. Le petit cône interne doit comporter une flamme bleue très distincte de  $\frac{1}{4}$ " à  $\frac{1}{2}$ " (0,64 à 1,3 cm) de longueur. Le cône externe n'est pas aussi distinct que le cône interne. Les flammes d'un brûleur alimenté au propane comportent une pointe légèrement jaune.

4. Voir le paragraphe "Achever l'installation" de la section "Instructions d'installation" de ce manuel pour achever cette procédure.

**IMPORTANT :** S'assurer de bien conserver les gicleurs qui ont été remplacés au cours de la conversion.

## Conversion pour l'alimentation au gaz naturel

### **AVERTISSEMENT**



#### Risque de basculement

Un enfant ou une personne adulte peut faire basculer la cuisinière, ce qui peut causer un décès.

Fixer la bride antibasculement au plancher ou au mur, conformément aux instructions d'installation.

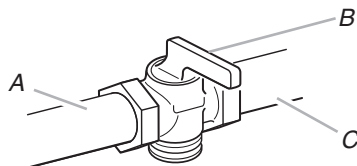
Faire glisser de nouveau la cuisinière de façon à ce que le pied arrière de la cuisinière se trouve dans la fente de la bride antibasculement.

Réengager la bride antibasculement si la cuisinière a été déplacée.

Ne pas faire fonctionner la cuisinière si la bride antibasculement n'est pas installée et engagée.

Le non-respect de ces instructions peut causer un décès ou des brûlures graves aux enfants et aux adultes.

1. Tourner le robinet d'arrêt manuel pour le placer à la position de fermeture.



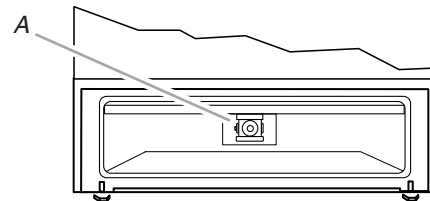
A. Canalisation d'alimentation en gaz  
B. Robinet d'arrêt manuel à la position fermée  
C. Vers la cuisinière

2. Débrancher l'appareil ou déconnecter la source de courant électrique.

### Conversion du détendeur de gaz (du gaz propane au gaz naturel)

1. Retirer le tiroir de remisage de qualité supérieure, le tiroir-réchaud, ou le tiroir de cuisson. Voir la section "Dépose et repose du tiroir".
2. Identifier le détendeur à l'arrière du compartiment du tiroir.

**REMARQUE :** Pour les modèles avec tiroir-réchaud ou tiroir de cuisson, on doit enlever le couvercle d'accès au détendeur.

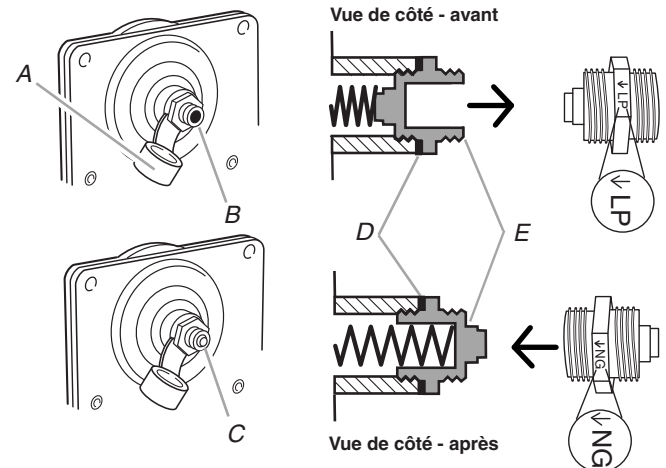


A. Détendeur

**IMPORTANT :** Ne pas enlever le détendeur.

3. Ôter le couvercle de plastique du capuchon du détendeur.
4. Avec une clé mixte de 5/8" (1,6 cm), tourner le chapeau du détendeur dans le sens antihoraire pour l'enlever.

**REMARQUE :** Ne pas enlever le ressort situé sous le capuchon.

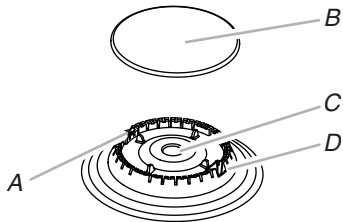


A. Capuchon en plastique  
B. Capuchon du détendeur; extrémité creuse ouverte vers l'extérieur  
C. Capuchon du détendeur; extrémité borgne vers l'extérieur  
D. Rondelle  
E. Capuchon du détendeur

5. Retourner le chapeau du détendeur et le réinstaller sur le détendeur de façon à ce que l'extrémité borgne soit orientée vers l'extérieur et que l'indication "↓ NG" soit orientée de la manière indiquée à l'illustration ci-dessus.
6. Réinstaller le couvercle de plastique par-dessus le capuchon du détendeur.

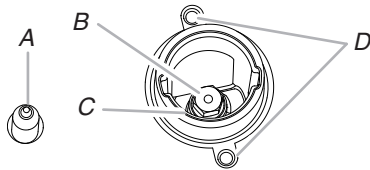
## Conversion des brûleurs de surface (du gaz propane au gaz naturel)

1. Ôter le chapeau de brûleur.
2. Ôter la base du brûleur.



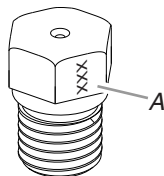
A. Électrode d'allumage  
B. Chapeau du brûleur  
C. Ouverture du tube de gaz  
D. Base du brûleur

3. Appliquer du ruban adhésif de masquage à l'extrémité d'un tourne-écrou de  $\frac{1}{32}$ " (7 mm) pour retenir le gicleur du brûleur dans le tourne-écrou durant l'extraction. Placer le tourne-écrou sur le gicleur; tourner dans le sens antihoraire et soulever pour enlever le gicleur. Conserver à part le gicleur du brûleur.



A. Électrode d'allumage  
B. Gicleur  
C. Support du gicleur  
D. Vis

4. Chaque gicleur est marqué d'un code d'identification gravé sur le côté. Remplacer le gicleur pour propane par le gicleur correct pour gaz naturel.



A. Chiffre gravé

Le tableau qui suit permet de sélectionner le gicleur pour gaz naturel correct pour chaque brûleur.

## Tableau de sélection des gicleurs pour gaz naturel

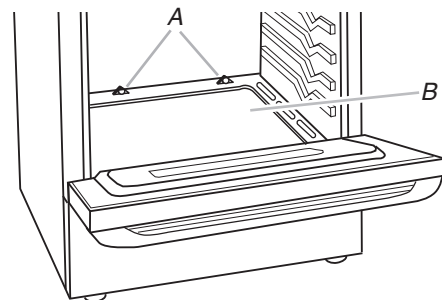
Puissance thermique	Couleur	Diamètre (mm)	Identifiant
19 000 BTU (ST)	Blanc/Gris	1,84	184
17 000 BTU (ST)	N/A	1,75	175
17 000 BTU	Blanc/Bleu	1,90	190
15 000 BTU	Blanc/Vert	1,80	180
9 200 BTU	Blanc/Noir	1,35	135
8 000 BTU	Blanc/Jaune	1,25	125
5 000 BTU	Blanc/Orange	1,00	100
1 200 BTU	Noir	0,52	52

**REMARQUE :** Voir la plaque signalétique située sur le cadre du four, derrière le coin supérieur droit de la porte du four pour connaître la taille de gicleur à utiliser pour chaque brûleur (selon sa position).

5. Placer les gicleurs pour gaz propane dans le sachet prévu à cet effet.  
**IMPORTANT :** Conserver les gicleurs pour gaz propane en cas de réinstallation ultérieure pour gaz propane.
6. Réinstaller la base du brûleur.
7. Réinstaller le chapeau de brûleur.
8. Répéter les étapes 1 à 7 pour les autres brûleurs.

## Conversion du brûleur de cuisson au four (du gaz propane au gaz naturel)

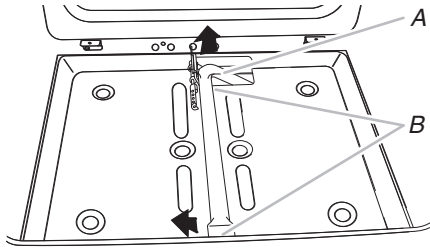
1. Retirer les grilles et la porte du four. Voir la section "Porte du four".
2. Ôter 2 vis et rondelles à l'arrière de la partie inférieure du four.
3. Soulever l'arrière de la partie inférieure du four vers le haut et l'arrière jusqu'à dégager l'avant du panneau hors du cadre avant. Le retirer du four et le mettre de côté sur une surface couverte.



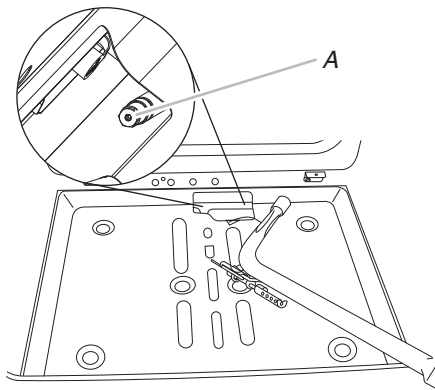
A. Vis  
B. Partie inférieure du four

4. Ôter 2 vis du brûleur de cuisson au four.

- Faire glisser l'avant du brûleur de cuisson au four sur le côté pour retirer l'onglet de l'avant du four. Soulever l'arrière du brûleur de cuisson au four de l'orifice du four, et mettre le brûleur de cuisson au four de côté. Ne pas déconnecter le fil.

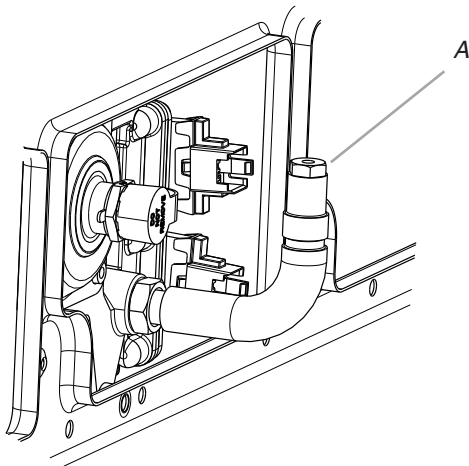


A. Brûleur de cuisson au four  
B. Vis



A. Orifice du four

- Appliquer du ruban adhésif de masquage à l'extrémité d'un tourne-écrou de  $\frac{3}{8}$ " (1 cm) pour retenir le gicleur du brûleur dans le tourne-écrou durant l'extraction. Placer le tourne-écrou sur le gicleur de gaz propane du brûleur de cuisson au four; tourner dans le sens antihoraire pour dévisser et extraire le gicleur. Le gicleur porte la mention "56".
  - Remplacer le gicleur "56" par un gicleur "47". Installer le gicleur pour gaz naturel du brûleur de cuisson au four en le tournant dans le sens horaire jusqu'à ce qu'il soit serré.
- IMPORTANT :** Ne pas serrer excessivement.



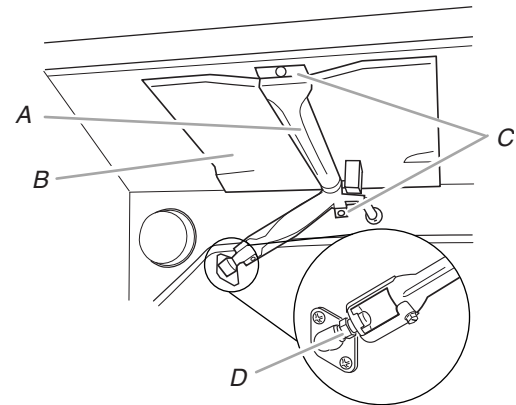
A. Gicleur

- Positionner l'arrière du brûleur de cuisson au four sur l'orifice du four et aligner les trous pour les vis.
- Réinstaller le brûleur de cuisson au four avec 2 vis.

- Positionner l'avant du panneau inférieur du four vers le cadre avant et abaisser l'arrière du panneau de la partie inférieure du four pour l'insérer dans le four.
- Réinstaller le panneau inférieur du four avec 2 vis et 2 rondelles.

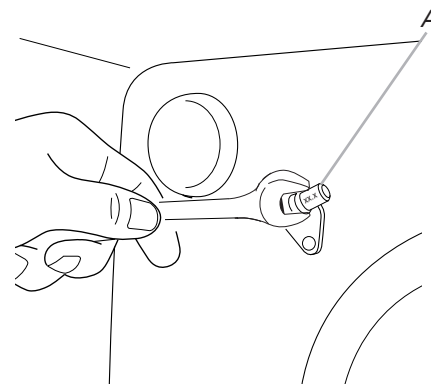
### Conversion du brûleur de cuisson au grill (du gaz propane au gaz naturel)

- Ôter 1 vis du brûleur de cuisson au grill.
  - Ôter le répartiteur de flammes.
  - Retirer le brûleur de cuisson au grill de son injecteur femelle.
- REMARQUE :** Le brûleur de cuisson au grill pend à l'arrière du four pendant que l'on change l'injecteur femelle.



A. Brûleur de cuisson au grill  
B. Répartiteur de flammes  
C. Vis  
D. Injecteur femelle

- Appliquer du ruban adhésif de masquage à l'extrémité d'un tourne-écrou de  $\frac{3}{8}$ " (1 cm) pour retenir le gicleur du brûleur dans le tourne-écrou durant l'extraction. Placer le tourne-écrou sur l'injecteur femelle de gaz propane du brûleur de cuisson au grill; tourner dans le sens antihoraire pour le dévisser et l'extraire. L'injecteur porte la mention "100".
  - Remplacer l'injecteur femelle "100" par un injecteur femelle "155". Installer l'injecteur femelle du brûleur du grill pour gaz naturel en le tournant dans le sens horaire jusqu'à ce qu'il soit serré.
- IMPORTANT :** Ne pas serrer excessivement.



A. Injecteur femelle

- Placer le brûleur de cuisson au grill sur l'injecteur femelle correspondant et insérer l'allumeur en céramique du brûleur de cuisson au grill dans le trou situé à l'arrière du four.
- Replacer le répartiteur de flammes, orienté avec les quatre languettes vers le haut et les encoches vers l'arrière du four.

8. Positionner le brûleur de cuisson au grill contre la partie supérieure du four et le fixer avec 1 vis.
9. Réinstaller le tiroir de remisage de qualité supérieure, le tiroir-réchaud ou le tiroir de cuisson. Voir la section "Dépose et repose du tiroir".
10. Réinstaller la porte du four. Voir la section "Porte du four".
11. Réinstaller les grilles du four.

### Achever l'installation (gaz propane à gaz naturel)

1. Pour le raccordement correct de la cuisinière à l'alimentation en gaz, se reporter à la section "Raccordement au gaz".
2. Pour allumer et utiliser correctement les brûleurs, voir la section "Système d'allumage électronique".
3. Pour régler la flamme des brûleurs, se reporter à la section "Réglage de la taille des flammes".

**IMPORTANT :** Il peut être nécessaire de modifier le réglage des flammes à la position du débit thermique minimum pour chaque brûleur de la table de cuisson.

Il est très important de vérifier l'établissement de flammes correctes sur les brûleurs de la table de cuisson, de cuisson au four et de cuisson au grill. Les flammes d'un brûleur alimenté au gaz naturel ne comportent pas de pointe jaune.

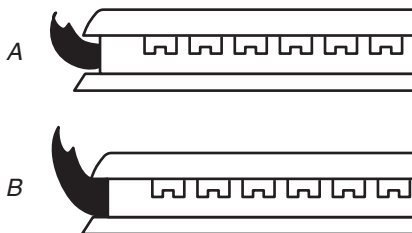
4. Voir le paragraphe "Achever l'installation" de la section "Instructions d'installation" de ce manuel pour achever cette procédure.

**IMPORTANT :** S'assurer de bien conserver les gicleurs qui ont été remplacés au cours de la conversion.

## Réglage de la taille des flammes

### Réglage de la flamme des brûleurs de surface

Régler la taille des flammes sur les brûleurs de la table de cuisson. Pour le réglage au débit thermique minimum, on doit observer des flammes stables bleues de ¼" (0,64 cm). Les flammes d'un brûleur alimenté au propane comportent une pointe légèrement jaune.



A. Débit thermique minimum  
B. Débit thermique maximum

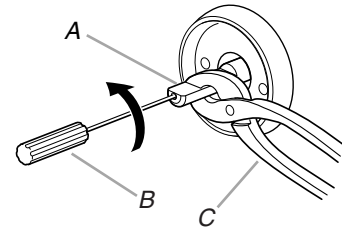
### Réglage des brûleurs standards :

La vis de réglage au centre de la tige de commande du robinet permet de régler la taille des flammes. La tige de commande est située directement au-dessous du bouton de commande.

### S'il est nécessaire de régler la taille des flammes pour le débit thermique minimum :

1. Allumer 1 brûleur et le tourner au réglage le plus bas.
2. Ôter le bouton de commande.

Immobiliser la tige de commande avec une pince. Utiliser un petit tournevis à lame plate pour faire tourner la vis située au centre de la tige de commande; ajuster les flammes à la taille désirée. La rotation de la vis dans le sens horaire augmente la hauteur de flamme. La rotation de la vis dans le sens antihoraire la diminue.

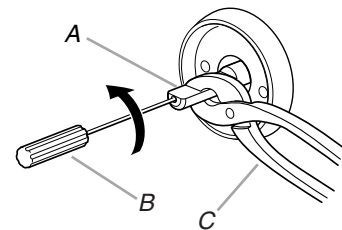


A. Tige du bouton de commande  
B. Tournevis  
C. Pince

3. Réinstaller le bouton de commande.
4. Tester la flamme en tournant le bouton de commande pour le faire passer de la position "Low" (basse) à la position "High" (élevée) et observer les flammes pour chaque réglage.
5. Répéter les étapes ci-dessus pour chaque brûleur.

### Réglage du brûleur double (sur certains modèles)

1. Allumer le brûleur et le tourner au réglage le plus bas auquel les brûleurs interne et externe puissent rester allumés.
2. Ôter le bouton de commande.
3. Insérer un tournevis à lame plate de ⅛" (3 mm) dans les emplacements de réglage indiqués dans l'illustration suivante et trouver la fente de la vis. Tourner la vis jusqu'à ce que la flamme atteigne la taille correcte. La rotation de la vis dans le sens horaire augmente la hauteur de flamme. La rotation de la vis dans le sens antihoraire la diminue.



A. Tige du bouton de commande  
B. Tournevis  
C. Pince

4. Réinstaller le bouton de commande.
5. Tester la flamme en tournant le bouton de commande pour le faire passer de la position "Low" (basse) à la position "High" (élevée) et observer les flammes pour chaque réglage.

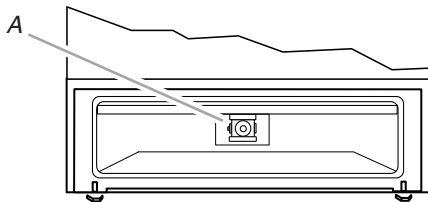
## Contrôle du fonctionnement du brûleur de cuisson au four

Consulter le Guide d'utilisation pour le bon fonctionnement des commandes du four.

## Réglage de la taille des flammes sur le brûleur du four (le cas échéant)

1. Retirer le tiroir de remisage de qualité supérieure, le tiroir-réchaud ou le tiroir de cuisson (voir la section "Dépose et repose du tiroir").
2. Identifier le détendeur à l'arrière du compartiment du tiroir.

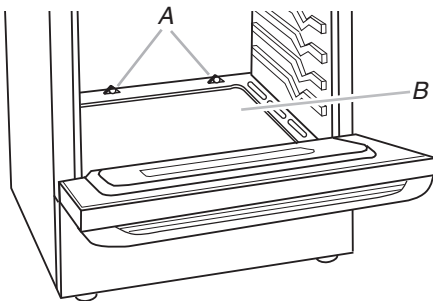
**REMARQUE :** Pour les modèles avec tiroir-réchaud ou tiroir de cuisson, on doit enlever le couvercle d'accès au détendeur.



A. Détendeur

**IMPORTANT :** Ne pas enlever le détendeur.

3. Observer les flammes sur le brûleur du four pour déterminer si un réglage est nécessaire.
  - a. Retirer les grilles du four.
  - b. Pour retirer la partie inférieure du four : Ôter 2 vis à l'arrière de la partie inférieure du four. Soulever l'arrière de la partie inférieure du four vers le haut et l'arrière jusqu'à dégager l'avant du panneau hors du cadre avant. Le retirer du four et le poser sur une surface couverte.



A. Vis  
B. Partie inférieure du four

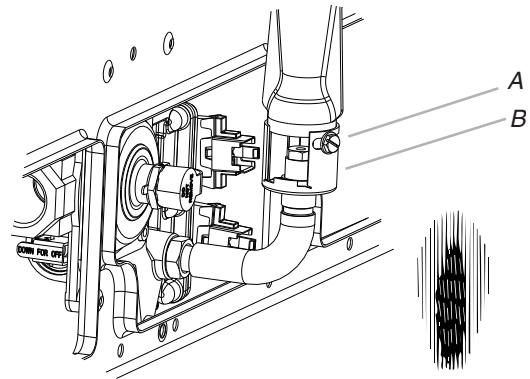
- c. Appuyer sur BAKE (cuisson au four).
- d. Appuyer sur la touche start (mise en marche).

Le brûleur de cuisson au four doit s'allumer en moins de 8 secondes. Dans certaines circonstances, le brûleur peut mettre jusqu'à 50 à 60 secondes à s'allumer.

Un dispositif d'allumage électronique est utilisé pour l'allumage des brûleurs du four et du gril.

Il doit y avoir sur le brûleur des flammes comportant un cône interne bleu-vert de 1/2" (1,3 cm) et une zone externe bleu foncé; la forme des flammes doit être nette et douce. On ne doit pas observer de pointes jaunes, ni d'effet de soufflage ou de séparation entre les flammes et le brûleur.

4. S'il est nécessaire de régler la taille des flammes, rechercher la virole de réglage de l'admission d'air au fond de la cavité du tiroir derrière le panneau d'accès. Desserrer la vis de blocage et faire tourner la virole pour établir des flammes de configuration correcte. Resserrer la vis de blocage.



A. Vis de blocage  
B. Virole de réglage de l'admission d'air

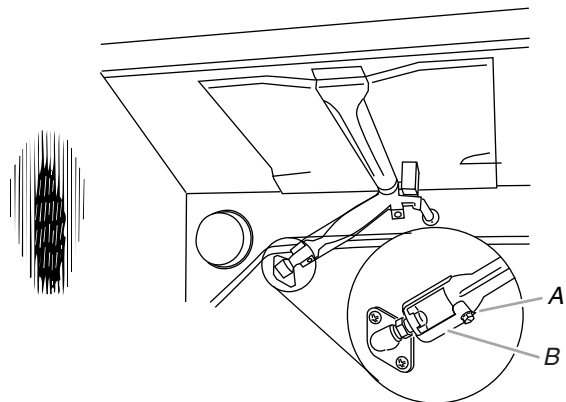
5. Appuyer sur la touche off (arrêt) une fois l'opération terminée.
6. Réinstaller le panneau inférieur du four et le tiroir de remisage de qualité supérieure, le tiroir-réchaud ou le tiroir de cuisson (voir la section "Dépose et repose du tiroir").

## Réglage de la taille des flammes sur le brûleur du gril (le cas échéant)

Appuyer sur BROIL (cuisson au gril), puis sur la touche start (mise en marche). Examiner les flammes sur le brûleur du gril à travers le hublot du four. Il doit y avoir sur le brûleur des flammes comportant un cône interne bleu-vert de 1/2" (1,3 cm) et une zone externe bleu foncé; la forme des flammes doit être nette et douce. On ne doit pas observer de pointes jaunes, ni d'effet de soufflage ou de séparation entre les flammes et le brûleur.

**S'il est nécessaire de régler la taille des flammes :**

1. Appuyer sur la touche off (arrêt). Laisser le four refroidir.
2. Desserrer la vis de blocage de la virole de réglage de l'admission d'air, à l'arrière du brûleur du gril.
3. Régler l'admission d'air selon le besoin.
4. Resserrer la vis de blocage.



A. Vis de blocage  
B. Virole de réglage de l'admission d'air

5. Fermer la porte du four. Appuyer sur BROIL (cuisson au gril), puis sur la touche start (mise en marche). Examiner les flammes sur le brûleur du gril à travers le hublot du four. S'il est nécessaire de régler la taille des flammes, répéter les étapes 1 à 5.





## Free Manuals Download Website

<http://myh66.com>

<http://usermanuals.us>

<http://www.somanuals.com>

<http://www.4manuals.cc>

<http://www.manual-lib.com>

<http://www.404manual.com>

<http://www.luxmanual.com>

<http://aubethermostatmanual.com>

Golf course search by state

<http://golfingnear.com>

Email search by domain

<http://emailbydomain.com>

Auto manuals search

<http://auto.somanuals.com>

TV manuals search

<http://tv.somanuals.com>