



Drop-in Electric Range

PRODUCT MODEL NUMBERS

WDE101LV
WDE150LV
WDE350LV

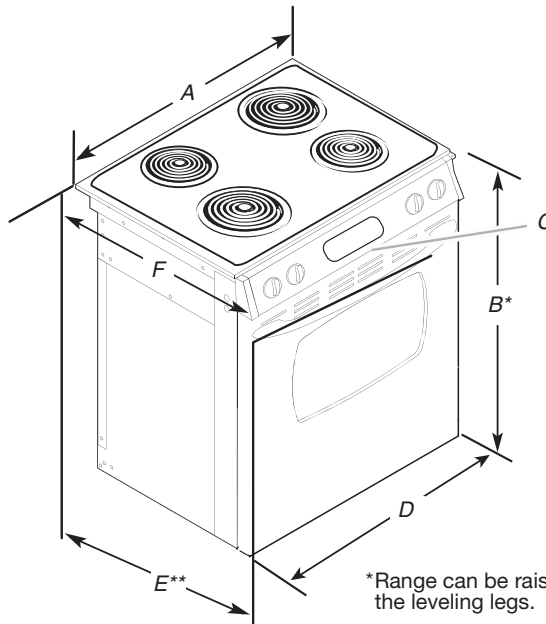
Electrical: Range must be connected to the proper electrical voltage and frequency as specified on the model/serial number rating plate. The model/serial number rating plate is located below the electronic control on the oven frame. See the product dimensions illustration.

Models rated from 12.7 kW at 240 volts (9.5 at 208 volts) require a separate 50-amp circuit.

A circuit breaker is recommended.

Flexible conduit from appliance should be connected directly to the junction box.

PRODUCT DIMENSIONS

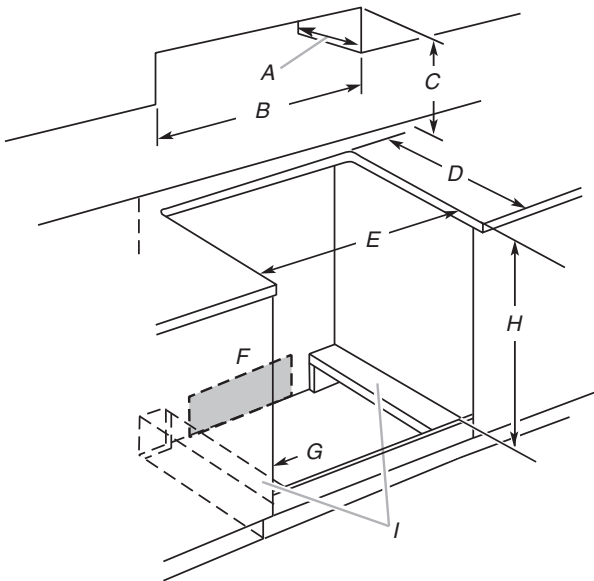


- A. 30 $\frac{3}{4}$ " (78 cm)
- B. 27 $\frac{1}{2}$ " (69.9 cm) height to underside of cooktop edge with leveling legs screwed all the way in*
- C. Model/serial number plate (located below the electronic control on oven frame)
- D. 29 $\frac{7}{8}$ " (75.9 cm)
- E. 28 $\frac{5}{16}$ " (71.9 cm) from handle to standoff at back of range**
- F. 23 $\frac{3}{4}$ " (60.3 cm) countertop notch to rear of cooktop

*Range can be raised approximately 1" (2.5 cm) by adjusting the leveling legs.

**When installed in a 24" (61.0 cm) base cabinet with 25" (63.5 cm) countertop; front of oven door protrudes 2 $\frac{1}{2}$ " (6.4 cm) beyond 24" (61.0 cm) base cabinet.

CABINET OPENING DIMENSIONS



Cabinet opening dimensions shown are for 25" (64.0 cm) countertop depth, 24" (61 cm) base cabinet depth and 36" (91.4 cm) countertop height.

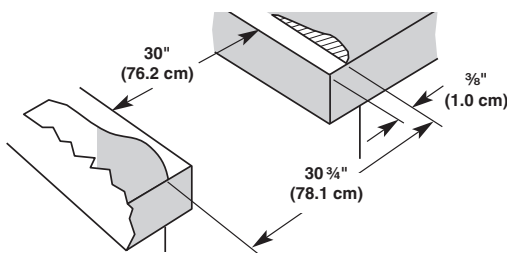
IMPORTANT: If installing a range hood or microwave hood combination above the range, follow the range hood or microwave hood combination installation instructions for dimensional clearances above the cooktop surface.

- A. 13" (33 cm) upper cabinet depth
- B. 30" (76.2 cm) min. opening width
- C. For minimum clearance to the top of the cooktop, see NOTE*.
- D. 23 $\frac{1}{4}$ " (58.1 cm) opening depth
- E. 30" (76.2 cm) min. opening width
- F. Junction box - 5.5" (14 cm) min. from either cabinet, 8 $\frac{1}{4}$ " (21 cm) max. from floor
- G. Cabinet door or hinge should not extend into cutout.
- H. 27 $\frac{1}{2}$ " (69.9 cm) top of countertop to support slats
- I. 6" (15.2 cm) wide support slat on each side of cutout

NOTE: 24" (61.0 cm) minimum when bottom of wood or metal cabinet is protected by not less than $\frac{1}{4}$ " (0.64 cm) flame retardant millboard covered with not less than No. 28 MSG sheet steel, 0.015" (0.4 mm) stainless steel, 0.024" (0.6 mm) aluminum or 0.020" (0.5 mm) copper.

30" (76.2 cm) minimum clearance between the top of the cooking platform and the bottom of an unprotected wood or metal cabinet.

COUNTERTOP PREPARATION



The cooktop sides of the drop-in range fit over the cutout edge of your countertop.

If you have a square finish (flat) countertop and the opening width is 30" (76.2 cm), no countertop preparation is required.

Formed front-edged countertops must have molded edge shaved flat $\frac{3}{8}$ " (1.0 cm) from each front corner of opening.

Tile countertops may need trim cut back $\frac{3}{8}$ " (1.0 cm) from each front corner and/or rounded edge flattened.

If countertop opening width is greater than 30" (76.2 cm), adjust the $\frac{3}{8}$ " (1.0 cm) dimension.

Countertop must be level. Check levelness by placing level on countertop, first side to side, then front to back.

Free Manuals Download Website

<http://myh66.com>

<http://usermanuals.us>

<http://www.somanuals.com>

<http://www.4manuals.cc>

<http://www.manual-lib.com>

<http://www.404manual.com>

<http://www.luxmanual.com>

<http://aubethermostatmanual.com>

Golf course search by state

<http://golfingnear.com>

Email search by domain

<http://emailbydomain.com>

Auto manuals search

<http://auto.somanuals.com>

TV manuals search

<http://tv.somanuals.com>