

NEW
Preliminary

Whirlpool® Electric Range WFE510SOA

KEY FEATURES

Cooktop

- Eco-Friendly Schott Ceran® Cooktop
- (1) 9/6" Dual Radiant Element
- (1) 9" Radiant Element
- (2) 6" Radiant Elements

Oven

- Accubake® Temperature Management System
- 4.8 cu. ft. Capacity
- Sabbath Mode
- Keep Warm
- Traditional Self-Clean System
- New Whirlpool® Design
- Storage Drawer
- Metal Handle on Stainless Steel Color
- EasyView™ Extra-Large Window

COLORS

White(W)



Biscuit(T)



Black(B)



Stainless Steel(S)





Freestanding Electric Range

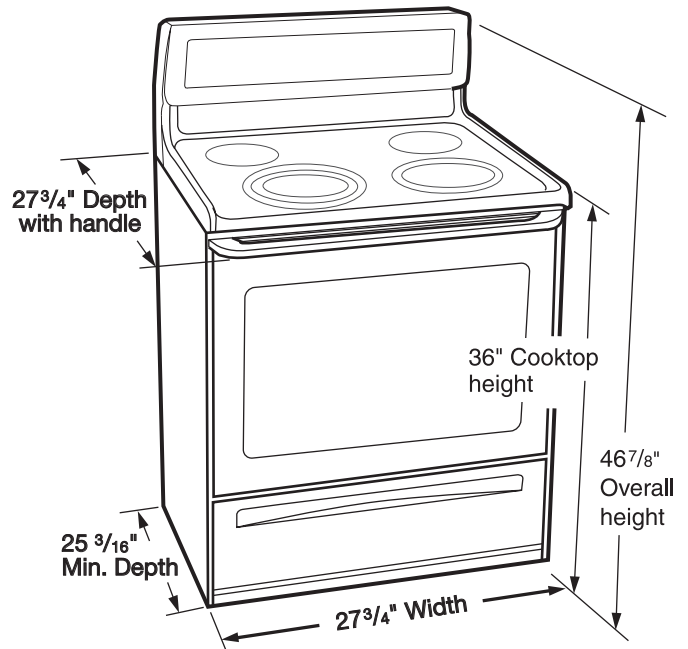
WFE510SOA

Specifications

MODEL NO.	WFE510SOA
ELEMENT DETAIL	
Left Front Size (in)	9/6"
Left Front Power (watts)	3000
Right Front Size (in)	9"
Right Front Power (watts)	2500
Left Rear Size (in)	6"
Left Rear Power (watts)	1200
Right Rear Size (in)	6"
Right Rear Power (watts)	1200
OVEN FEATURES	
Oven Window	EasyView™ Extra Large Window
Clock	Yes
Clock Control Location	Backguard
Kitchen Timer	Yes
Audible Signal	Yes
Sabbath Mode	Yes
Control Lockout	Yes
OVEN INTERIOR	
Oven Capacity	4.8 Cu. Ft.
Cleaning System	Self-Cleaning with Auto Lock
Number of Oven Lights	1
Broiler at 240V	3400
Broiler Pan	Optional Accessory
Number Oven Racks	2
Oven Cavity Height	18 1/8
Oven Cavity Width	24 1/2
Oven Cavity Depth	18 1/2
ELECTRICAL REQUIREMENTS	
Total Connected Ld (kW) - 240V	11.3
Total Connected Ld (kW) - 208V	8.5
GENERAL INFORMATION	
Drawer Type	Storage Drawer
COLOR AVAILABILITY	
W,T,B,S	

W=White, T=Biscuit, B=Black, S=Stainless Steel

Dimensions



DIMENSIONS	
Overall Height	46 7/8
Overall Width	29 7/8
Overall Depth	27 3/4
Depth without Handle	25 3/16
Depth w Door Open 90 Degrees	47 13/16
Cutout Height	36
Cutout Width	30
Cutout Depth	24

All dimensions are shown in inches.

Dimensions are for planning purposes only.
For complete details, see Installation Instructions packed with product.
Specifications subject to change without notice.

Free Manuals Download Website

<http://myh66.com>

<http://usermanuals.us>

<http://www.somanuals.com>

<http://www.4manuals.cc>

<http://www.manual-lib.com>

<http://www.404manual.com>

<http://www.luxmanual.com>

<http://aubethermostatmanual.com>

Golf course search by state

<http://golfingnear.com>

Email search by domain

<http://emailbydomain.com>

Auto manuals search

<http://auto.somanuals.com>

TV manuals search

<http://tv.somanuals.com>