

# Whirlpool® 30" (76.2 cm) Freestanding Gas Range

## PRODUCT MODEL NUMBERS

GFG461LV

WFG381LV

### Type of Gas

Natural Gas:

This range is design-certified by CSA International for use with Natural gas or, after proper conversion, for use with LP gas.

- This range is factory set for use with Natural gas. See "Gas Conversions" section. The model/serial rating plate located on the oven frame behind the top left side of the oven door has information on the types of gas that can be used. If the types of gas listed do not include the type of gas available, check with the local gas supplier.

LP gas conversion:

Conversion must be done by a qualified service technician.

No attempt shall be made to convert the appliance from the gas specified on the model/serial rating plate for use with a different gas without consulting the serving gas supplier. See "Gas Conversions" section.

### Gas Supply Line

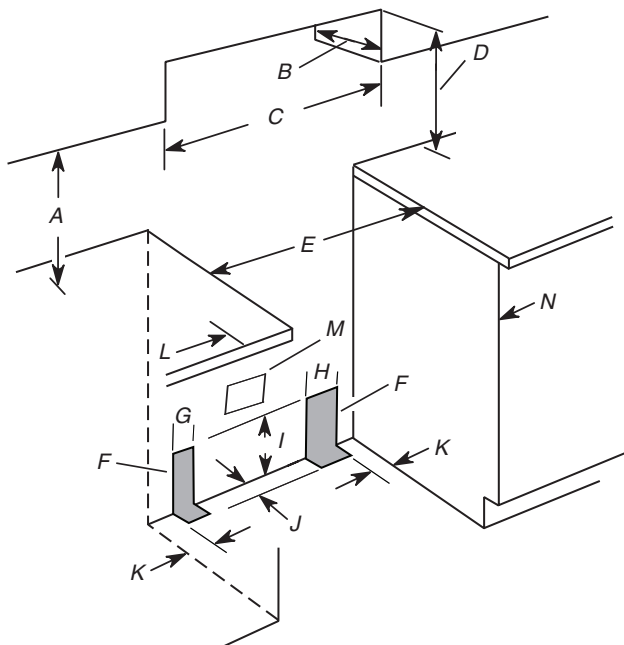
- Provide a gas supply line of  $\frac{3}{4}$ " (1.9 cm) rigid pipe to the range location. A smaller size pipe on longer runs may result in insufficient gas supply. With LP gas, piping or tubing size can be  $\frac{1}{2}$ " (1.3 cm) minimum. Usually, LP gas suppliers determine the size and materials used in the system.  
**NOTE:** Pipe-joint compounds that resist the action of LP gas must be used. Do not use TEFLON® tape.
- If local codes permit, a new CSA design-certified, 4 to 5 ft (122 to 152.4 cm) long,  $\frac{1}{2}$ " (1.3 cm) or  $\frac{3}{4}$ " (1.9 cm) I.D., flexible metal appliance connector may be used for connecting range to the gas supply line.
- A  $\frac{1}{2}$ " (1.3 cm) male pipe thread is needed for connection to the female pipe threads of the inlet to the appliance pressure regulator.
- Must include a shutoff valve:  
The supply line must be equipped with a manual shutoff valve. This valve should be located in the same room but external to the range opening, such as an adjacent cabinet. It should be in a location that allows ease of opening and closing. Do not block access to shutoff valve. The valve is for turning on or shutting off gas to the range.

### Electrical:

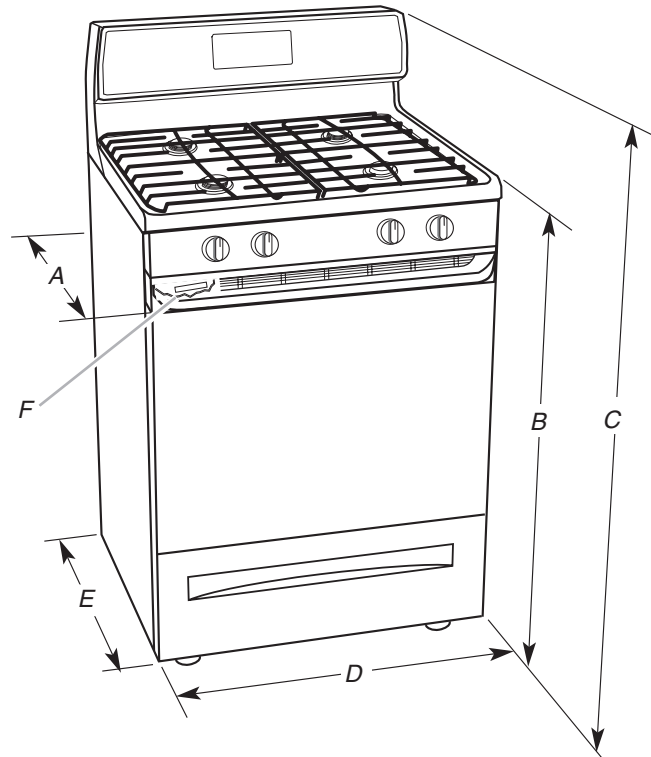
A 120 volt, 60 Hz., AC only, 15-amp fused, electrical circuit is required. A time-delay fuse or circuit breaker is also recommended. It is recommended that a separate circuit serving only this range be provided.

®TEFLON is a registered trademark of E.I. Du Pont De Nemours and Company.

## CABINET OPENING DIMENSIONS



## PRODUCT DIMENSIONS



- A. 27 $\frac{1}{2}$ " (69.9 cm) max. depth with handle
- B. 36" (91.4 cm) cooktop height (max.) with leveling legs screwed all the way in\*
- C. 46 $\frac{1}{8}$ " (119.1 cm) overall height (max.) with leveling legs screwed all the way in\*
- D. 29 $\frac{7}{8}$ " (75.9 cm) width
- E. 25" (63.5 cm)
- F. Model/serial rating plate (located on the oven frame behind the top left side of the oven door)

\*Range can be raised approximately 1" (2.5 cm) by adjusting the leveling legs

Cabinet opening dimensions shown are for 25" (64.0 cm) countertop depth, 24" (61.0 cm) base cabinet depth and 36" (91.4 cm) countertop height.

**IMPORTANT:** If installing a range hood or microwave hood combination above the range, follow the range hood or microwave hood combination installation instructions for dimensional clearances above the cooktop surface.

- A. 18" (45.7 cm) upper side cabinet to countertop
- B. 13" (33 cm) max. upper cabinet depth
- C. 30" (76.2 cm) min. opening width
- D. For minimum clearance to top of cooktop, see NOTE\*.
- E. 30 $\frac{1}{8}$ " (76.5 cm) min. opening width
- F. The shaded areas are recommended for installation of rigid gas pipe.
- G. 4 $\frac{1}{2}$ " (11.4 cm)
- H. 8" (20.3 cm)
- I. 17" (43.2 cm)
- J. 2" (5.1 cm)
- K. 4 $\frac{1}{2}$ " (11.4 cm)
- L. 2" (5.1 cm) min. clearance from both sides of range to side wall or other combustible material.
- M. Grounded outlet
- N. Cabinet door or hinges should not extend into the cutout.

\*NOTE: 24" (61.0 cm) minimum when bottom of wood or metal cabinet is covered by not less than  $\frac{1}{4}$ " (0.64 cm) flame retardant millboard covered with not less than No. 28 MSG sheet steel, 0.015" (0.4 mm) stainless steel, 0.024" (0.6 mm) aluminum or 0.020" (0.5 mm) copper.

30" (76.2 cm) minimum clearance between the top of the cooking platform and the bottom of an uncovered wood or metal cabinet.

## Free Manuals Download Website

<http://myh66.com>

<http://usermanuals.us>

<http://www.somanuals.com>

<http://www.4manuals.cc>

<http://www.manual-lib.com>

<http://www.404manual.com>

<http://www.luxmanual.com>

<http://aubethermostatmanual.com>

Golf course search by state

<http://golfingnear.com>

Email search by domain

<http://emailbydomain.com>

Auto manuals search

<http://auto.somanuals.com>

TV manuals search

<http://tv.somanuals.com>