
MAKEUP AIR KITS FOR RECTANGULAR (3¼ X 10" (8.3 X 25.4 CM)) OR ROUND (6, 8 AND 10" (15.2, 20.3 AND 25.4 CM)) VENT DUCT

Installation Instructions and Use & Care Guide

For questions about features, operation/performance, parts, accessories or service, call: 1-800-253-1301 or visit our website at www.whirlpool.com

In Canada, call 1-800-807-6777 or visit our website at www.whirlpool.ca

JUEGOS DE AIRE DE COMPLEMENTO PARA DUCTOS DE VENTILACIÓN RECTANGULARES (3¼ X 10" (8,3 X 25,4 CM)) O REDONDOS (6, 8 Y 10" (15,2, 20,3 Y 25,4 CM))

Instrucciones de instalación y Manual de uso y cuidado

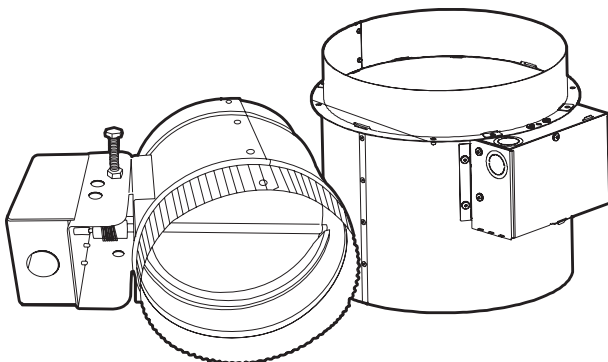
Si tiene preguntas respecto a las características, funcionamiento, rendimiento, partes, accesorios o servicio técnico, llame al: 1-800-253-1301 o visite nuestro sitio de Internet en www.whirlpool.com

ENSEMBLES POUR APPOINT D'AIR POUR CONDUIT D'ÉVACUATION RECTANGULAIRE (3¼ X 10" (8,3 X 25,4 CM)) OU ROND (6, 8 ET 10" (15,2, 20,3 ET 25,4 CM))

Instructions d'installation et Guide d'utilisation et d'entretien

Au Canada, pour assistance, installation ou service, composer le 1-800-807-6777 ou visiter notre site Web à www.whirlpool.ca

Table of Contents/Índice/Table des matières..... 2



**IMPORTANT: READ AND SAVE THESE INSTRUCTIONS.
FOR RESIDENTIAL USE ONLY.**

**IMPORTANTE: LEA Y GUARDE ESTAS INSTRUCCIONES.
SÓLO PARA USO RESIDENCIAL.**

**IMPORTANT : LIRE ET CONSERVER CES INSTRUCTIONS.
POUR UTILISATION RÉSIDENIELLE UNIQUEMENT.**

LI30LA/W10463244A

TABLE OF CONTENTS

VENT SYSTEM SAFETY	2	Make Electrical Connection	7
INSTALLATION REQUIREMENTS	4	Check Operation	8
Tools and Parts	4	Makeup Air Kit Maintenance.....	8
Location Requirements	4	WIRING DIAGRAM	9
Electrical Requirements	5	ASSISTANCE OR SERVICE	10
INSTALLATION INSTRUCTIONS	6	In the U.S.A.	10
Prepare Location.....	6	In Canada	10
Install Makeup Air Switch Duct.....	6	WARRANTY	11
Install Motorized Damper.....	7		

ÍNDICE

SEGURIDAD DEL SISTEMA DE VENTILACIÓN	12	Instalación del regulador de tiro motorizado	17
REQUISITOS DE INSTALACIÓN	14	Haga la conexión del suministro eléctrico	18
Herramientas y piezas.....	14	Verifique el funcionamiento.....	19
Requisitos de ubicación.....	14	Mantenimiento del juego de aire de complemento.....	19
Requisitos eléctricos	15	DIAGRAMA DE CABLEADO	20
INSTRUCCIONES DE INSTALACIÓN	16	AYUDA O SERVICIO TÉCNICO	21
Preparación de la ubicación	16	En los EE.UU.	21
Instalación del conducto conmutador de aire de complemento	16	GARANTÍA	21

TABLE DES MATIÈRES

SÉCURITÉ DES CIRCUITS DE VENTILATION	22	Installation du clapet motorisé	27
EXIGENCES D'INSTALLATION	24	Raccordement électrique.....	28
Outils et pièces.....	24	Contrôle du fonctionnement	29
Exigences d'emplacement.....	24	Maintenance de l'ensemble d'air de compensation.....	29
Spécifications électriques	25	SCHÉMA DE CÂBLAGE	30
INSTRUCTIONS D'INSTALLATION	26	ASSISTANCE OU SERVICE	31
Préparation de l'emplacement.....	26	Au Canada.....	31
Installation du conduit du commutateur de débit d'air de compensation.....	26	GARANTIE	31

VENT SYSTEM SAFETY

Your safety and the safety of others are very important.

We have provided many important safety messages in this manual and on your appliance. Always read and obey all safety messages.



This is the safety alert symbol.

This symbol alerts you to potential hazards that can kill or hurt you and others.

All safety messages will follow the safety alert symbol and either the word "DANGER" or "WARNING."

These words mean:

⚠ DANGER

You can be killed or seriously injured if you don't immediately follow instructions.

⚠ WARNING

You can be killed or seriously injured if you don't follow instructions.

All safety messages will tell you what the potential hazard is, tell you how to reduce the chance of injury, and tell you what can happen if the instructions are not followed.

IMPORTANT SAFETY INSTRUCTIONS

WARNING: TO REDUCE THE RISK OF FIRE, ELECTRIC SHOCK, OR INJURY TO PERSONS, OBSERVE THE FOLLOWING:

- Use this unit only in the manner intended by the manufacturer. If you have questions, contact the manufacturer at the address or telephone number listed in this document.
- Before servicing or cleaning the unit, switch power off at service panel and lock the service disconnecting means to prevent power from being switched on accidentally. When the service disconnecting means cannot be locked, securely fasten a prominent warning device, such as a tag, to the service panel.
- Installation work and electrical wiring must be done by qualified person(s) in accordance with all applicable codes and standards, including fire-rated construction codes and standards.
- Sufficient air is needed for proper combustion and exhausting of gases through the flue (chimney) of fuel burning equipment to prevent back drafting. Follow the heating equipment manufacturer's guideline and safety standards such as those published by the National Fire Protection Association (NFPA), the American Society for Heating, Refrigeration and Air Conditioning Engineers (ASHRAE), and the local code authorities.
- When performing installation, servicing or cleaning the unit, it is recommended to wear safety glasses and gloves.
- When cutting or drilling into wall or ceiling, do not damage electrical wiring or other hidden utilities.
- Ducted fans must always be vented outdoors.
- This unit is not designed to provide combustion air for fuel burning appliances.
- Do not connect the unit directly to a combustion appliance of any type.
- During extreme weather events including snow storms, ensure that the intake area for the outside air duct is not blocked and able to provide a clear pathway for outside air to enter the system.

WARNING: TO REDUCE THE RISK OF FIRE, USE ONLY METAL DUCTWORK.

CAUTION: For general ventilating use only. Do not use to exhaust hazardous or explosive materials and vapors.

CAUTION: To reduce risk of fire and to properly exhaust air, be sure to duct air outside - do not vent exhaust air into spaces within walls or ceilings, attics or into crawl spaces, or garages.

- When notching or drilling into framing including floor supports, rim joists, and wall studs, comply with code and manufacturer limitations on allowable modifications to these structural members.
- This unit is intended to be installed within the home in a location protected from moisture.
- This unit must be in an accessible location which allows for inspection of the unit.
- When federal, provincial or state legislation comprises more restrictive installation and/or certification requirements, the aforementioned requirements prevail on those of this document and the installer agrees to conform to these at his own expense.

CAUTION:

- Do not locate outside air inlet near hazardous materials or explosives.
- Unit shall not be installed to introduce air from crawl spaces, garages, attics, adjacent dwelling units, or other locations within the building shell. Unit shall be installed to introduce air directly from outdoors.
- Do not run the outside air duct directly above or closer than 2 ft (0.6 m) to any furnace or its supply plenum, boiler, or other heat producing appliance.
- Any ductwork used in conjunction with the damper must be installed in compliance with all local and national codes that are applicable.
- Do not operate the damper for fresh air introduction until all system filters, including the central duct system filter, have been installed per the system design.
- Please read the unit specification label on the product for further information and requirements.
- The damper's outdoor air intake, ducting, and any filters should be inspected and maintained on a regular basis.
- Insulate the duct and damper to prevent build-up of condensation in cold weather climates. Vapor barriers on both sides of insulation are recommended.

READ AND SAVE THESE INSTRUCTIONS

INSTALLATION REQUIREMENTS

Tools and Parts

Gather the required tools and parts before starting installation. Read and follow the instructions provided with any tools listed here.

Tools needed

- Drill with 1¼" (3.0 cm) drill bit
- Pencil
- Wire stripper or utility knife
- Tape measure or ruler
- Pliers
- Caulking gun and weatherproof caulking compound
- Jigsaw or keyhole saw
- Flat-blade screwdriver
- Metal snips
- Phillips screwdriver

Parts needed (quantities of parts are determined by installation requirements)

- Home power supply cable
- Vent clamps
- Wall or roof cap
- 6" (15.2 cm) diameter vent duct for connection to motorized damper. (Lengths are determined by installation requirements.)
- UL listed wire connectors
- ½" (12.7 mm) UL listed or CSA approved strain relief

Parts supplied

Remove parts from packages. Check that all parts are included.

¾" x 10" (8.3 x 25.4 cm) Rectangular Makeup Air Kit (W10446914)

- ¾" x 10" (8.3 x 25.4 cm) makeup air switch duct
- 6" (15.2 cm) motorized damper
- T10 Torx^{®†} adapter

6" (15.2 cm) Round Makeup Air Kit (W10446915)

- 6" (15.2 cm) round makeup air switch duct
- 6" (15.2 cm) motorized damper
- T10 Torx^{®†} adapter

8" (20.3 cm) Round Makeup Air Kit (W10446916)

- 8" (20.3 cm) round makeup air switch duct
- 6" (15.2 cm) motorized damper
- T10 Torx^{®†} adapter

10" (25.4 cm) Round Makeup Air Kit (W10446917)

- 10" (25.4 cm) round makeup air switch duct
- 2 - 6" (15.2 cm) motorized damper
- T10 Torx^{®†} adapter

Location Requirements

IMPORTANT: Observe all governing codes and ordinances.

Have a qualified technician install this makeup air kit. It is the installer's responsibility to comply with installation clearances specified.

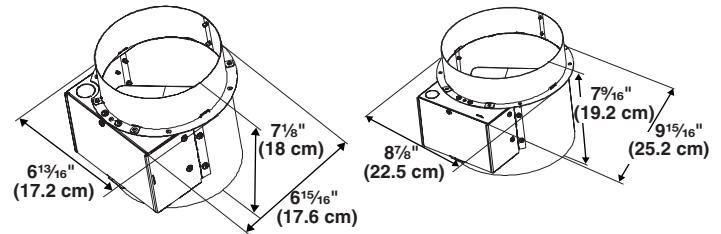
Grounded electrical outlet is required. See "Electrical Requirements" section.

All openings in ceiling and wall must be sealed.

Product Dimensions

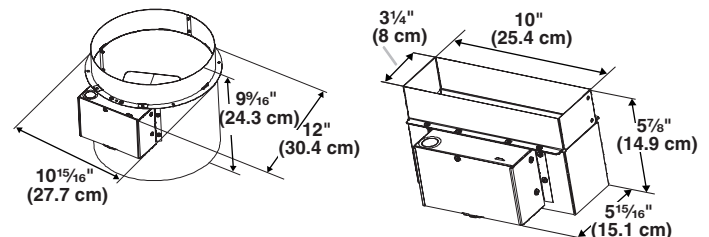
Makeup Air Switch Duct (installed on the range hood)

6" (15.2 cm) Kit W10446915 8" (20.3 cm) Kit W10446916

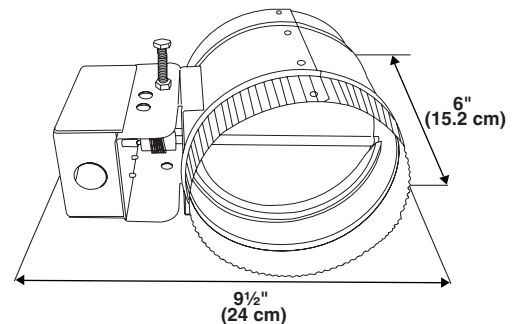


10" (25.4 cm) Kit W10446917

¾" x 10" (8.3 x 25.4 cm) Kit W10446914



6" (15.2 cm) Motorized Damper (installed for outside air intake)



Planning the Installation

Planning the Makeup Air Switch Duct installation

This makeup air kit can only be used with vented range hoods. The makeup air kit must match the vent transition size for your range hood.

Planning the Motorized Damper installation

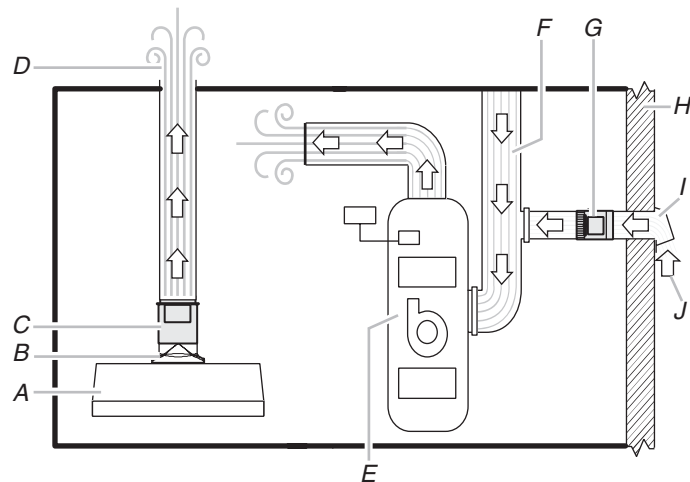
Planning the installation first requires selecting the most appropriate installation approach. The following illustrations offer suggestions for the most effective installation approach by considering a few important factors.

Typical Installations

Installations will vary according to the location in the home where the motorized damper is installed and which makeup air kit is used. The following illustrations can be used as a reference guide for your installation. Always comply with all governing codes and ordinances.

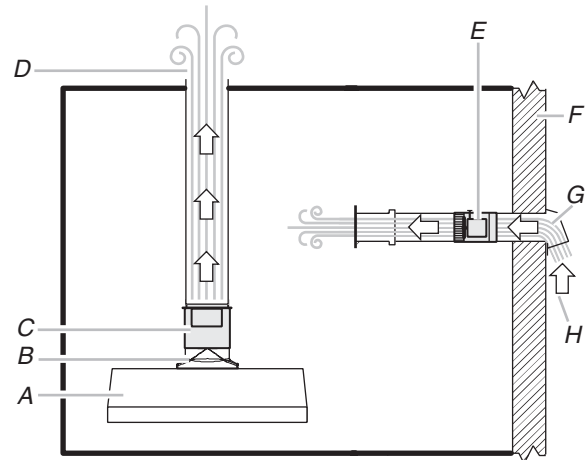
NOTE: The 10" (25.4 cm) round Makeup Air Kit must be installed with 2 independent incoming air supply ducts. Use the 2 motorized dampers supplied with the kit (1 each, in the incoming fresh air supply ducts).

Motorized Damper Connected to Return Side of Central Duct System



- | | |
|---------------------------|------------------------------|
| A. Range hood | F. Return air central system |
| B. Vent transition | G. Motorized damper |
| C. Makeup air switch duct | H. Wall or roof |
| D. Range hood exhaust | I. Wall/roof cap |
| E. HVAC system | J. Outside air |

Motorized Damper and Outside Air Connected Directly to a Ceiling, Floor or Wall Register



- | | |
|---------------------------|---------------------|
| A. Range hood | E. Motorized damper |
| B. Vent transition | F. Wall or roof |
| C. Makeup air switch duct | G. Wall/roof cap |
| D. Range hood exhaust | H. Outside air |

Electrical Requirements

Observe all governing codes and ordinances.

Ensure that the electrical installation is adequate and in conformance with National Electrical Code, ANSI/NFPA 70 (latest edition), or CSA Standards C22.1-94, Canadian Electrical Code, Part 1 and C22.2 No. 0-M91 (latest edition) and all local codes and ordinances.

If codes permit and a separate ground wire is used, it is recommended that a qualified electrician determine that the ground path is adequate.

A copy of the above code standards can be obtained from:

National Fire Protection Association
1 Batterymarch Park
Quincy, MA 02169-7471
CSA International
8501 East Pleasant Valley Road
Cleveland, OH 44131-5575

- A 120 volt, 60 Hz., AC only, 15-amp, fused electrical circuit is required.
- If the house has aluminum wiring, follow the procedure below:
 1. Connect a section of solid copper wire to the pigtail leads.
 2. Connect the aluminum wiring to the added section of copper wire using special connectors and/or tools designed and UL listed for joining copper to aluminum.Follow the electrical connector manufacturer's recommended procedure. Aluminum/copper connection must conform with local codes and industry accepted wiring practices.
- Wire sizes must conform to the requirements of the National Electrical Code, ANSI/NFPA 70 (latest edition), or CSA Standards C22. 1-94, Canadian Electrical Code, Part 1 and C22.2 No. 0-M91 (latest edition) and all local codes and ordinances.
- A UL or CSA listed strain relief must be provided at each end of the power supply cable/conduit (at the junction boxes).

INSTALLATION INSTRUCTIONS

Prepare Location

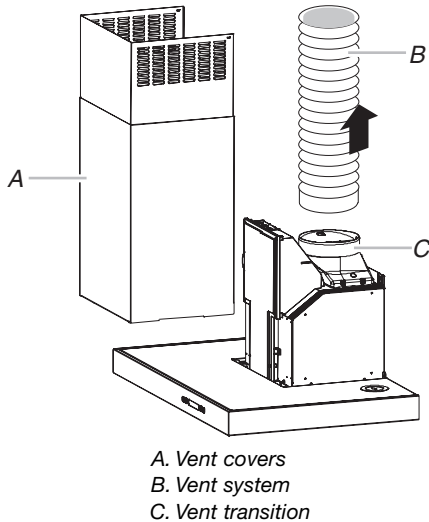
- It is recommended that the Makeup Air Kit is installed at the same time the range hood is installed.
- If the range hood is already installed, you will need to remove the vent covers and the vent duct system from the range hood. Consult your hood manual. (See illustrations in the "Install Makeup Air Switch Duct" section.)
- Makeup air switch duct must be assembled to vent duct in the vertical (upward) position only.

Install Makeup Air Switch Duct

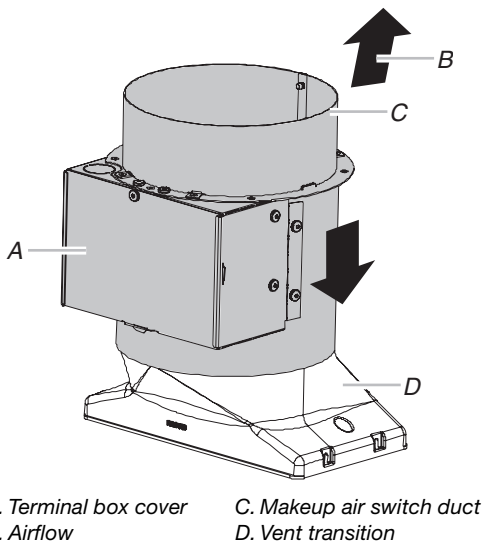
Wall or Island Mount Range Hood Models

6" (15.2 cm) and 8" (20.3 cm) Round Makeup Air Switch Duct (From kits W10446915 and W10446916)

1. Disconnect power.
2. If range hood is installed, remove the vent system and its vent covers and put them aside.



3. Install the makeup air switch duct to the vent transition and seal connection with vent clamp. The terminal box cover should be to the front or to either side for wiring access.

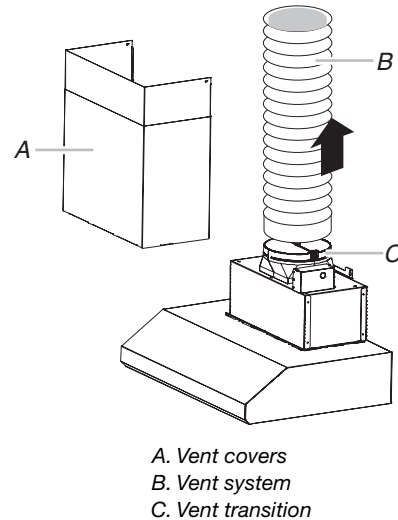


4. Install the range hood using the Installation Instructions that came with range hood.

NOTE: If range hood is already installed, replace the vent system onto the makeup air switch duct and seal connections with vent clamps.

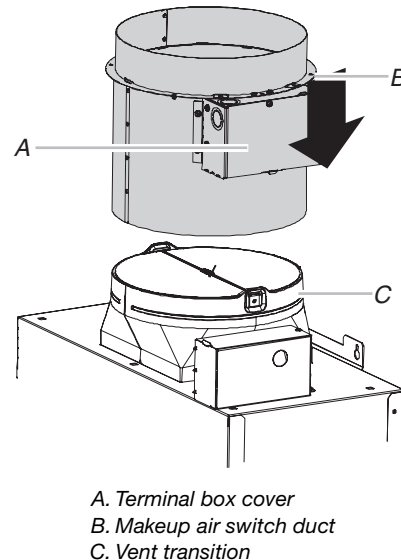
10" (25.4 cm) Round Makeup Air Switch Duct (From kit W10446917)

1. Disconnect power.
2. If range hood is installed, remove the vent system and its vent covers and put them aside.



3. Install the makeup air switch duct to the vent transition and seal connection with vent clamp.

NOTE: The terminal box should be oriented to either the right or left side of the hood for wiring access.



4. Install the range hood using the Installation Instructions that came with range hood.

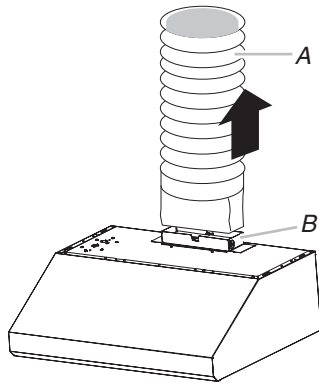
NOTE: If range hood is already installed, replace the vent system onto the makeup air switch duct and seal connections with vent clamps.

Under-Cabinet Mount Range Hood Models

3¼" x 10" (8.3 x 25.4 cm) Rectangular Makeup Air Switch Duct (From kit W10446914)

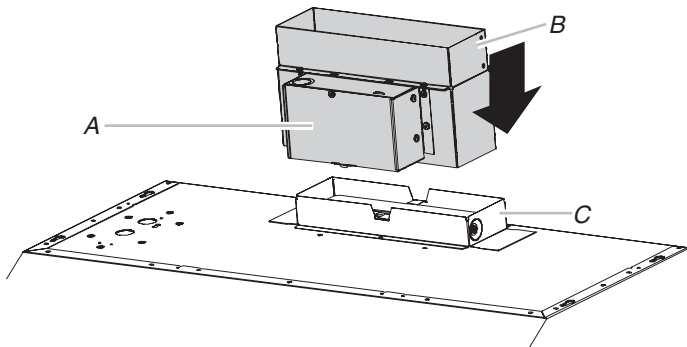
NOTE: The range hood must be mounted before the makeup air switch duct is attached. Use the Installation Instructions that came with the range hood.

1. Disconnect power.
2. If range hood is installed, remove the vent system and put it aside.



A. Vent system
B. Vent transition

3. Install the makeup air switch duct to the vent transition and seal connection. The terminal box cover should be to the front for wiring access.



A. Terminal box cover
B. Makeup air switch duct
C. Vent transition

4. Install the vent system onto the makeup air switch duct and seal connections. Finalize the installation of the range hood using the Installation Instructions that came with range hood.

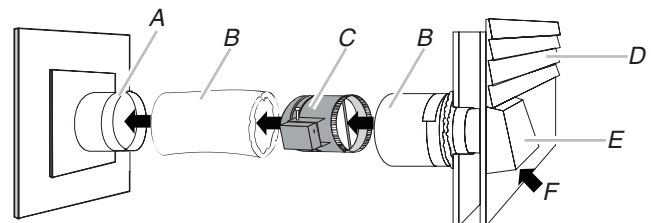
Install Motorized Damper

IMPORTANT: Observe all governing codes and ordinances.

Proper location of the outside air intake is necessary to ensure that the damper can reliably allow fresh air to enter the home. The following requirements for the location of the outside air intake must be met:

- Outside air intake is to be located a minimum of 10 ft (3.05 m) from combustion appliance vents, chimneys, plumbing stacks, and bathroom, laundry, or kitchen exhaust vents.
- Outside air intake is to be placed high enough above grade to prevent blockage from snow or other debris such as leaves, and at a minimum of 1 ft (30.5 cm) above grade.
- The damper should be installed to draw air directly from outdoors. Makeup air should not be drawn from crawl spaces, garages, attics, adjacent dwelling units, or any enclosed part of the building.

Install the motorized damper as shown. See the illustrations in "Typical Installations" in the "Location Requirements" section for reference.



A. Wall register
B. Ducts
C. 6" (15.2 cm) motorized damper
D. Wall/roof
E. Wall or roof cap
F. Airflow

Make Electrical Connection

⚠ WARNING



Electrical Shock Hazard

Disconnect power before servicing.

Replace all parts and panels before operating.

Failure to do so can result in death or electrical shock.

To Remove and Install Motorized Damper Terminal Box Cover

1. Press in and lift up on the end of terminal box cover with wire hole to remove cover.
2. To install terminal cover, place tab on solid end of cover into small slot in motor mount, swing cover over motor and slip second tab into larger slot.

Make the Electrical Connection

1. Disconnect power.
2. Determine the location where the wiring conduit will be routed through the ceiling or wall between the makeup air switch duct and the motorized damper.
3. Drill a hole at this location.
4. Locate the electrical terminal boxes in the makeup air switch duct and the motorized damper.
Remove the terminal box covers and set the covers and screws aside.
5. Determine the knockouts in terminal boxes for motorized damper, makeup air switch duct and house junction box that will be used.
Remove knockouts and install a ½" (12.7 mm) UL listed or CSA approved strain relief at each location.
6. Run separate wiring between the house junction box and the terminal boxes for the motorized damper and the makeup air switch duct.

⚠ WARNING



Electrical Shock Hazard

Disconnect power before servicing.

Connect ground wire to green ground wire in terminal box.

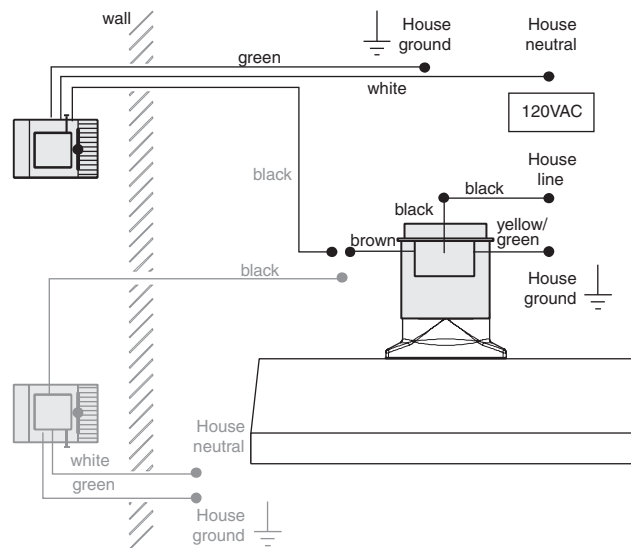
Replace all parts and panels before operating.

Failure to do so can result in death, fire, or electrical shock.

7. Connect green (yellow/green) wires from makeup air switch duct and motorized damper to house ground using UL listed wire connectors.
8. Connect brown wire from makeup air switch duct to the black wire(s) from the motorized damper using UL listed wire connectors.
9. Connect black wire from makeup air switch duct to the house line black wire using a UL listed wire connector.

10. Connect the white wire(s) from the motorized damper to the house neutral white wire(s) using UL listed wire connectors.

NOTE: The 10" (25.4 cm) Makeup Air Kit must be installed with 2 motorized dampers. The lightest figure shown is the connection for the second motorized damper.



10" (25.4 cm) Makeup air installation

Check Operation

Once the make up air switch duct and the motorized damper(s) are installed, the installer should confirm that the motorized damper opens and closes in conjunction with signals from the hood.

- The motorized damper should close or be closed when the range hood speed switch is Off or On at low speed.
- The motorized damper should open when the range hood speed switch is set at medium speed or higher.

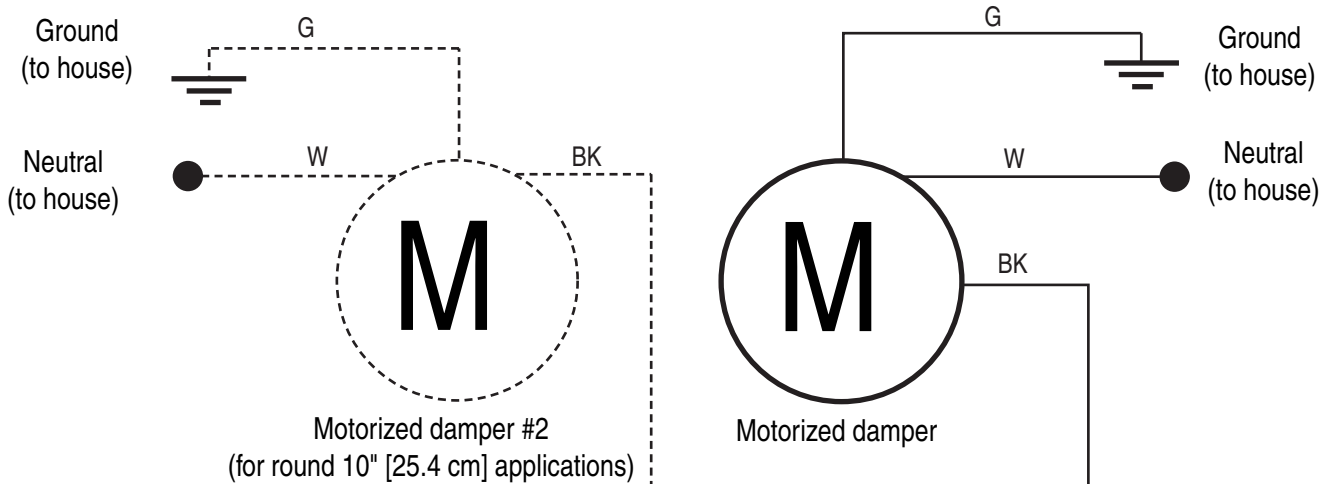
A qualified HVAC contractor should also ensure the proper operation and venting of all combustion equipment in the home.

Makeup Air Kit Maintenance

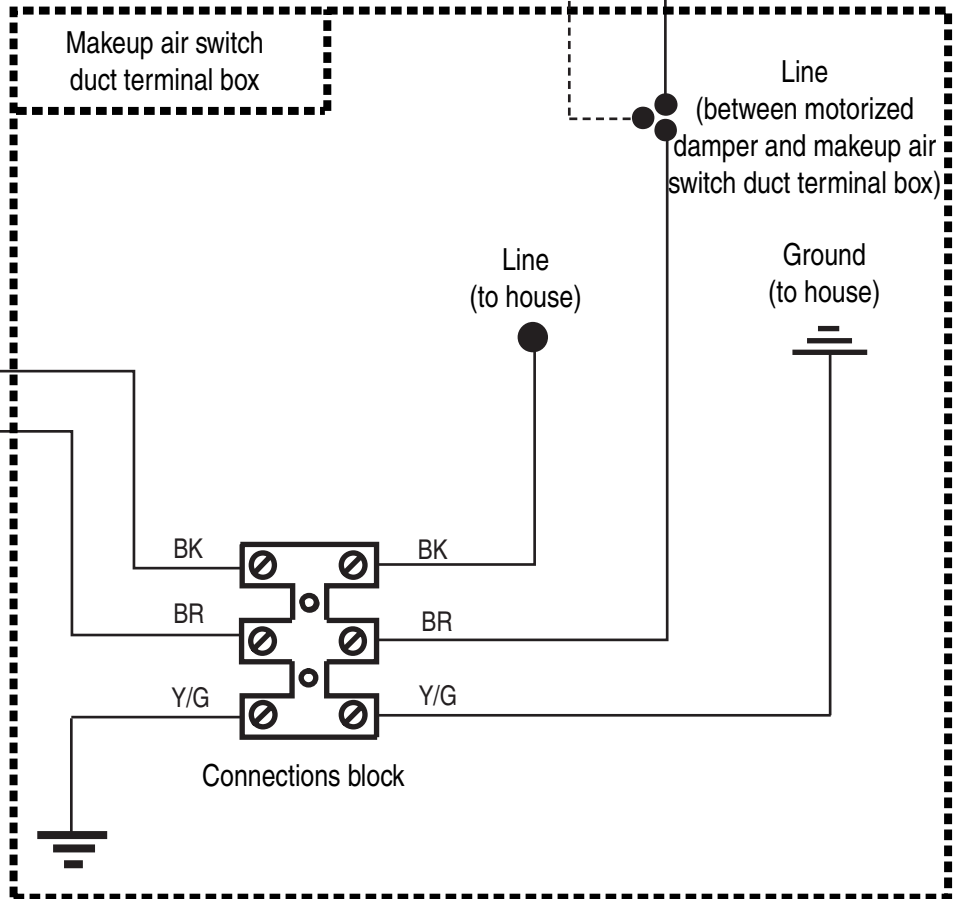
Regular maintenance is necessary to ensure the proper operation of the makeup air system. Failure to conduct routine maintenance can reduce the ability of the damper to introduce fresh air into the home. Regular maintenance should include the following activities:

- Maintain a clear opening at the outdoor end cap, keeping snow, leaves or vegetation from building up at the end cap.
- Clean or replace the interior filter(s) that serve to filter fresh air before it enters the home.
- During regular HVAC maintenance, have the mechanical contractor inspect the damper system for proper operation.

WIRING DIAGRAM



SE12R A



SWITCH OPERATION		
Position	Function	Voltage
N.C. - COM	Off	N/A
N.O. - COM	On	120 VAC 60 Hz

ASSISTANCE OR SERVICE

When calling for assistance or service, please know the purchase date and the complete model and serial number of your appliance. This information will help us to better respond to your request.

If you need replacement parts

If you need to order replacement parts, we recommend that you use only factory specified parts. Factory specified parts will fit right and work right because they are made with the same precision used to build every new appliance. To locate factory specified replacement parts in your area, call us or your nearest designated service center.

In the U.S.A.

Call the Whirlpool Customer eXperience Center toll free: **1-800-253-1301**.

Our consultants provide assistance with:

- Features and specifications on our full line of appliances.
- Installation information.
- Use and maintenance procedures.
- Accessory and repair parts sales.
- Specialized customer assistance (Spanish speaking, hearing impaired, limited vision, etc.).
- Referrals to local dealers, repair parts distributors and service companies. Whirlpool designated service technicians are trained to fulfill the product warranty and provide after-warranty service, anywhere in the United States.

To locate the Whirlpool designated service company in your area, you can also look in your telephone directory Yellow Pages.

For further assistance

If you need further assistance, you can write to Whirlpool Corporation with any questions or concerns at:

Whirlpool Brand Home Appliances
Customer eXperience Center
553 Benson Road
Benton Harbor, MI 49022-2692

Please include a daytime phone number in your correspondence.

In Canada

Call the Whirlpool Canada LP Customer eXperience Centre toll free: **1-800-807-6777**.

Our consultants provide assistance with:

- Features and specifications on our full line of appliances.
- Use and maintenance procedures.
- Accessory and repair parts sales.
- Referrals to local dealers, repair parts distributors, and service companies. Whirlpool Canada LP designated service technicians are trained to fulfill the product warranty and provide after-warranty service, anywhere in Canada.

For further assistance

If you need further assistance, you can write to Whirlpool Canada LP with any questions or concerns at:

Customer eXperience Centre
Whirlpool Canada LP
200 - 6750 Century Ave.
Mississauga, Ontario L5N 0B7

Please include a daytime phone number in your correspondence.

WHIRLPOOL® COOKING ACCESSORY LIMITED WARRANTY

1 YEAR LIMITED WARRANTY (PARTS ONLY - LABOR NOT INCLUDED)

For one year from the date of this purchase, when the Cooking Accessory is installed, operated, and maintained according to instructions attached to or furnished with this product, Whirlpool Corporation or Whirlpool Canada LP (hereafter "Whirlpool") will, at its sole option, deliver factory specified replacement parts to correct defects in materials or workmanship or replace the product. If replaced, your product will be covered by the remaining one year limited warranty of the original unit.

YOUR SOLE AND EXCLUSIVE REMEDY UNDER THE LIMITED WARRANTY SHALL BE PRODUCT REPAIR OR REPLACEMENT AT OUR DISCRETION AS PROVIDED HEREIN. This limited warranty is valid in the United States and Canada and applies only when the the Cooking Accessory is used in the country in which it was purchased. This limited warranty is effective from the date of the original consumer purchase. Proof of original purchase date is required to obtain factory specified replacement parts or product replacement under this limited warranty.

ITEMS EXCLUDED FROM WARRANTY

This warranty does not cover:

1. In-home service including, but not limited to, service calls to correct the installation of your Cooking Accessory or to instruct you on how to use your product.
2. Factory specified replacement parts or product replacement when your Cooking Accessory is used for other than normal, single-family household use or when it is used in a manner contrary to published user or operator instructions and/or installation instructions.
3. Damage resulting from accident, alteration, misuse, abuse, fire, floods, acts of God, improper installation not in accordance with local electrical and plumbing codes, or use of consumables or cleaning products not approved by Whirlpool Corporation.
4. Cosmetic damage, including scratches, dents, chips, or other damage to the finish of your Cooking Accessory, unless such damage results from defects in materials or workmanship and is reported to Whirlpool within 30 days from the date of purchase.
5. Factory specified parts or product replacement resulting from unauthorized modifications made to the product.
6. Travel, transportation, or shipping expenses outside of the expenses specifically designated in this Cooking Accessory limited warranty.
7. Removal or reinstallation of trim, decorative panels, cabinetry, drywall or other built-in fixtures for removal and/or replacement of product.

The cost of repair or replacement under these excluded circumstances shall be borne by the customer.

If you reside in the United States or Canada and need to submit a request for warranty service:

1. Customers in the U.S.A. should call our service office at 1-800-253-1301, from 8:00 a.m. to 8:00 p.m., Monday through Friday, Eastern Standard Time. Customers in Canada should call our service office at 1-800-807-6777, from 8:00 a.m. to 6:30 p.m., Monday through Friday, Eastern Standard Time.
 2. Give the consultant your model, serial number, and shipping address (no P.O. Box numbers, please).
 3. The consultant will advise whether the Cooking Accessory qualifies for factory specified replacement parts or product replacement.
 4. You may be directed to forward the product to a Whirlpool designated service center. You are responsible for insurance and freight to the designated service center. Please include your name and address on a piece of paper, along with proof of purchase (register receipt, charge slip, etc.). The product should be properly packaged to avoid damage in transit, as we will not be responsible for any such damage.
 5. Whirlpool will return the specified unit or, at our option, an identical or comparable Cooking Accessory, or factory specified replacement parts, to your door free of charge.
-

DISCLAIMER OF IMPLIED WARRANTIES

IMPLIED WARRANTIES, INCLUDING ANY LIMITED WARRANTY OF MERCHANTABILITY OR LIMITED WARRANTY OF FITNESS FOR A PARTICULAR PURPOSE, ARE LIMITED TO 1 YEAR OR THE SHORTEST PERIOD ALLOWED BY LAW. Some states and provinces do not allow limitations on the duration of implied warranties of merchantability or fitness, so this limitation may not apply to you. This warranty gives you specific legal rights, and you also may have other rights that vary from state to state or province to province.

LIMITATIONS OF REMEDIES; EXCLUSION OF INCIDENTAL AND CONSEQUENTIAL DAMAGES

YOUR SOLE AND EXCLUSIVE REMEDY UNDER THIS LIMITED WARRANTY SHALL BE PRODUCT REPAIR OR REPLACEMENT AT OUR DISCRETION AS PROVIDED HEREIN. WHIRLPOOL SHALL NOT BE RESPONSIBLE FOR INCIDENTAL OR CONSEQUENTIAL DAMAGES. Some states and provinces do not allow the exclusion or limitation of incidental or consequential damages, so these limitations may not apply to you. This warranty gives you specific legal rights, and you also may have other rights that vary from state to state or province to province.

Outside the 50 United States and Canada, this warranty does not apply. Contact your authorized Whirlpool dealer to determine if another warranty applies. If you need service, in the U.S.A., call **1-800-422-1230**. In Canada, call **1-800-807-6777**.

12/11

Keep this book and your sales slip together for future reference. You must provide proof of purchase or installation date for in-warranty service.

Write down the following information about your Cooking Accessory to better help you obtain assistance or service if you ever need it. You will need to know your complete model number.

Model number _____

Serial number _____

Purchase date _____

SEGURIDAD DEL SISTEMA DE VENTILACIÓN

Su seguridad y la seguridad de los demás es muy importante.

Hemos incluido muchos mensajes importantes de seguridad en este manual y en su electrodoméstico. Lea y obedezca siempre todos los mensajes de seguridad.



Este es el símbolo de advertencia de seguridad.

Este símbolo le llama la atención sobre peligros potenciales que pueden ocasionar la muerte o una lesión a usted y a los demás.

Todos los mensajes de seguridad irán a continuación del símbolo de advertencia de seguridad y de la palabra "PELIGRO" o "ADVERTENCIA". Estas palabras significan:

 **PELIGRO**

Si no sigue las instrucciones de inmediato, usted puede morir o sufrir una lesión grave.

 **ADVERTENCIA**

Si no sigue las instrucciones, usted puede morir o sufrir una lesión grave.

Todos los mensajes de seguridad le dirán el peligro potencial, le dirán cómo reducir las posibilidades de sufrir una lesión y lo que puede suceder si no se siguen las instrucciones.

INSTRUCCIONES IMPORTANTES DE SEGURIDAD

ADVERTENCIA: PARA REDUCIR EL RIESGO DE INCENDIOS, CHOQUE ELÉCTRICO O LESIONES A PERSONAS, OBSERVE LO SIGUIENTE:

- Use esta unidad sólo de la manera para lo que fue diseñada por el fabricante. Si tiene preguntas, contacte al fabricante en la dirección o el número de teléfono que aparece en este documento.
- Antes de dar servicio o reparar esta unidad, apague el suministro de energía en el panel de servicio, y bloquee los medios de desconexión del servicio para evitar que se encienda accidentalmente el suministro de energía. Cuando el medio de desconexión del servicio no se pueda bloquear, sujete de manera segura un dispositivo de advertencia prominente, como una etiqueta, al panel de servicio.
- El trabajo de instalación y cableado se debe llevar a cabo por una persona (personas) calificada(s), en conformidad con todos los códigos y estándares aplicables, incluyendo códigos y estándares para construcciones clasificadas como resistentes al fuego.
- Es necesario que haya suficiente aire para la adecuada combustión y ventilación de gases a través del conducto (la chimenea) del equipo que consume combustible, para evitar que ocurra contratiempo. Siga la guía y los estándares de seguridad del fabricante del equipo de calefacción, como son aquéllos publicados por National Fire Protection Association (NFPA) (Asociación nacional de protección contra incendios), American Society for Heating, Refrigeration and Air Conditioning Engineers (ASHRAE) (Sociedad estadounidense para ingenieros en calefacción, refrigeración y acondicionamiento de aire) y las autoridades de códigos locales.
- Cuando lleve a cabo la instalación, el servicio o la limpieza de la unidad, se recomienda usar lentes y guantes de seguridad.
- Cuando corte o taladre en una pared o techo, no dañe el cableado ni otros servicios públicos ocultos.
- Los ventiladores con conductos siempre deben dar salida al aire hacia el exterior.
- Esta unidad no ha sido diseñada para proveer aire de combustión para los aparatos que consumen combustible.
- No conecte la unidad directamente a un aparato de combustión de cualquier tipo.
- Durante eventos climatológicos extremos, incluyendo tormentas de nieve, cerciórese de que el área para el ducto de entrada de aire exterior no esté bloqueada y pueda proveer un pasaje claro para que el aire del exterior entre en el sistema.

ADVERTENCIA: PARA REDUCIR EL RIESGO DE INCENDIO, SÓLO USE CONDUCTOS METÁLICOS.

CUIDADO: Para usarse solamente en ventilación común. No lo utilice para ventilar materiales y vapores peligrosos o explosivos.

CUIDADO: Para reducir el riesgo de incendio y para ventilar el aire adecuadamente, asegúrese de dirigir el aire hacia el exterior - no ventile el aire de salida a espacios dentro de paredes o techos, desvanes, espacios angostos o garajes.

- Cuando haga muescas o taladre en marcos, incluyendo soportes para el piso, vigas de apoyo periféricas y pies derechos de pared, cumpla con las limitaciones de los códigos y del fabricante en cuanto a las modificaciones permitidas para estas estructuras.
- Esta unidad ha sido diseñada para instalarse dentro del hogar, en un lugar que esté protegido contra la humedad.
- Esta unidad debe encontrarse en un lugar accesible que permita su inspección.
- Cuando las leyes federales, provinciales o estatales se componen de requisitos más restrictivos de instalación y/o certificación, los requisitos mencionados anteriormente prevalecen sobre los de este documento y el instalador está de acuerdo en someterse a los mismos por su propia cuenta.

CUIDADO:

- No ubique la entrada de aire del exterior cerca de materiales peligrosos o explosivos.
- No deberá instalarse la unidad para introducir aire desde espacios angostos, garajes, desvanes, unidades adyacentes a la vivienda u otro lugar dentro del entorno del edificio. La unidad deberá ser instalada para introducir aire directamente desde el exterior.
- No haga pasar el ducto de aire exterior por encima ni cerca de 2 pies (0,6 m) de cualquier caldera o su conducto de suministro, calentador u otro aparato que produzca calor.
- Cualquier conducto que se use en conjunto con la compuerta deberá ser instalado de acuerdo con todos los códigos locales y nacionales aplicables.
- No haga funcionar la compuerta para introducir aire fresco hasta que todos los filtros del sistema, incluyendo el filtro del sistema del ducto central, hayan sido instalados según el diseño del sistema.
- Lea la etiqueta de especificación de la unidad que se encuentra en el producto para obtener información y requisitos adicionales.
- La entrada de aire exterior de la compuerta, los conductos y los filtros deberán ser inspeccionados y mantenidos periódicamente.
- Aísle el ducto y la compuerta para evitar la acumulación de condensación en climas fríos. Se recomiendan barreras de vapor en ambos lados del aislamiento.

LEA Y GUARDE ESTAS INSTRUCCIONES

REQUISITOS DE INSTALACIÓN

Herramientas y piezas

Reúna las herramientas y piezas necesarias antes de comenzar la instalación. Lea y siga las instrucciones provistas con cualquiera de las herramientas detalladas aquí.

Herramientas necesarias

- Taladro y broca de 1/4" (3,0 cm)
- Lápiz
- Pelacables o cuchillo de uso general
- Cinta de medir o regla
- Pinzas
- Pistola para calafateo y masilla para calafateo a prueba de agua
- Sierra de vaivén o sierra caladora
- Destornillador de hoja plana
- Tijeras de hojalatero
- Destornillador Phillips

Piezas necesarias (las cantidades de piezas se determinarán en función de los requisitos de la instalación)

- Cable de suministro eléctrico doméstico
- Abrazaderas para ducto
- Cubierta para muro o techo
- Conductor de ventilación de 6" (15,2 cm) de diámetro para la conexión con el regulador de tiro motorizado (Las longitudes se determinan por los requisitos de la instalación.)
- Conectores para alambres que estén en la lista de UL
- Protector de cables de 1/2" (12,7 mm) que esté en la lista de UL y aprobado por CSA

Piezas suministradas

Saque las piezas de los paquetes. Verifique que estén todas las piezas.

Juego rectangular de aire de complemento de 3 1/4" x 10" (8,3 x 25,4 cm) (W10446914)

- Conductor conmutador de aire de complemento de 3 1/4" x 10" (8,3 x 25,4 cm)
- Regulador de tiro motorizado de 6" (15,2 cm)
- Adaptador para destornillador Torx®† T10

Juego redondo de aire de complemento de 6" (15,2 cm) (W10446915)

- Conductor redondo conmutador de aire de complemento de 6" (15,2 cm)
- Regulador de tiro motorizado de 6" (15,2 cm)
- Adaptador para destornillador Torx®† T10

Juego redondo de aire de complemento de 8" (20,3 cm) (W10446916)

- Conductor redondo conmutador de aire de complemento de 8" (20,3 cm)
- Regulador de tiro motorizado de 6" (15,2 cm)
- Adaptador para destornillador Torx®† T10

®†TORX es una marca registrada de Saturn Fasteners, Inc.

Juego redondo de aire de complemento de 10" (25,4 cm) (W10446917)

- Conductor redondo conmutador de aire de complemento de 10" (25,4 cm)
- Regulador de tiro motorizado de 2 - 6" (15,2 cm)
- Adaptador para destornillador Torx®† T10

Requisitos de ubicación

IMPORTANTE: Observe todos los códigos y ordenanzas aplicables.

Haga que un técnico capacitado instale este juego de aire de complemento. Es la responsabilidad del instalador cumplir con los espacios de instalación especificados.

Se requiere un enchufe eléctrico con conexión a tierra. Vea la sección "Requisitos eléctricos".

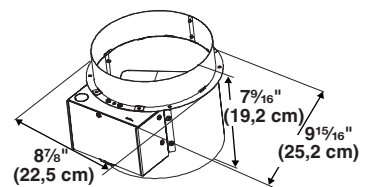
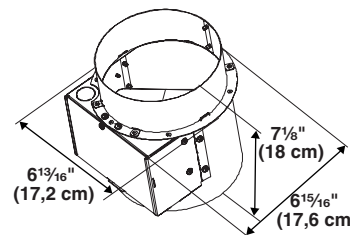
Se deben sellar todas las aberturas en el cielorraso y la pared.

Dimensiones del producto

Conductor compensador de aire de complemento (instalado en la campana para cocina).

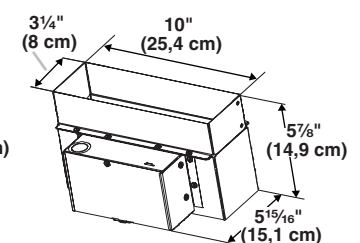
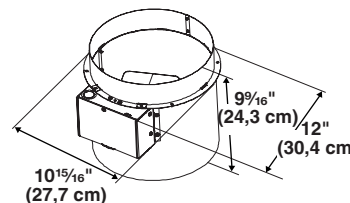
Juego W10446915 de 6" (15,2 cm)

Juego W10446916 de 8" (20,3 cm)

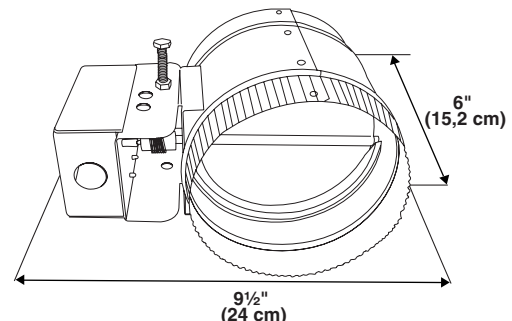


Juego W10446917 de 10" (25,4 cm)

Juego W10446914 de 3 1/4" x 10" (8,3 x 25,4 cm)



Regulador de tiro motorizado de 6" (15,2 cm) (instalado para la toma de aire externo)



Planificación de la instalación

Planificación de la instalación del conducto conmutador de aire de complemento

Este juego de aire de complemento puede usarse solamente con campanas de cocina con ventilación. El juego de aire de complemento debe coincidir con el tamaño de la pieza de transición del ducto para su campana.

Planificación de la instalación del regulador de tiro motorizado

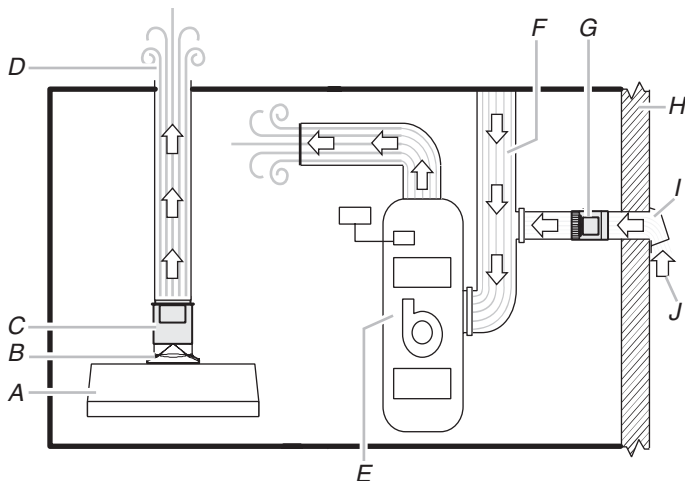
La planificación de la instalación primero requiere elegir el enfoque de instalación más apropiado. Las siguientes ilustraciones ofrecen sugerencias para el enfoque más eficaz tomando en consideración algunos factores importantes.

Instalaciones típicas

Las instalaciones variarán en función del lugar en el hogar donde se encuentre instalado el regulador de tiro motorizado y qué tipo de juego de aire de complemento se use. Las siguientes ilustraciones pueden usarse como guía de referencia para su instalación. Siempre cumpla con todos los códigos y reglamentos aplicables.

NOTA: El Juego redondo de aire de complemento de 10" (25,4 cm) debe instalarse con 2 conductos independientes de suministro de aire entrante. Use los 2 reguladores de tiro motorizados provistos con el juego (1 por cada uno, en los conductos de suministro de aire fresco entrante).

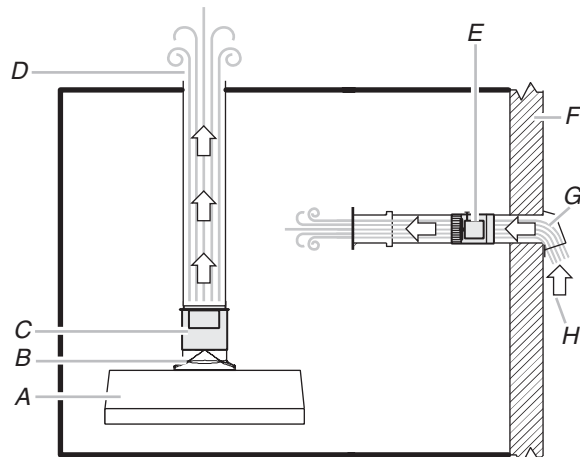
Regulador de tiro motorizado conectado al lado de retorno del sistema central de ductos



- A. Campana de cocina
- B. Pieza de transición del ducto
- C. Conducto conmutador del aire de complemento
- D. Escape de la campana de cocina
- E. Sistema de calefacción, ventilación y acondicionamiento de aire (HVAC)

- F. Sistema central de aire de retorno
- G. Regulador de tiro motorizado
- H. Pared o techo
- I. Cubierta para pared/techo
- J. Aire del exterior

Regulador de tiro motorizado y aire externo conectado directamente a la abertura en el cielorraso, piso o pared



- A. Campana de cocina
- B. Pieza de transición del ducto
- C. Conducto conmutador del aire de complemento
- D. Escape de la campana de cocina
- E. Regulador de tiro motorizado
- F. Pared o techo
- G. Cubierta para pared/techo
- H. Aire del exterior

Requisitos eléctricos

Observe todos los códigos y ordenanzas aplicables.

Asegúrese de que la instalación eléctrica sea adecuada y en conformidad con el National Electrical Code (Código Nacional Eléctrico), ANSI/NFPA 70 (última edición) o las normas de CSA C22.1-94, Canadian Electrical Code (Código canadiense de electricidad), Parte 1 y C22.2 N° 0-M91 (última edición), y todos los códigos y ordenanzas locales.

Si los códigos lo permiten y se emplea un alambre de conexión a tierra separado, se recomienda que un electricista competente determine si la trayectoria de conexión a tierra es adecuada.

Usted puede obtener una copia de las normas de los códigos arriba indicadas en:

National Fire Protection Association,
1 Batterymarch Park
Quincy, MA 02169-7471
CSA International
8501 East Pleasant Valley Road
Cleveland, OH 44131-5575

- Se necesita un circuito eléctrico de 120 voltios, 60 hertzios, CA solamente, de 15 amperios y protegido con fusibles.
- Si la casa tiene cableado de aluminio, siga el procedimiento a continuación:

1. Conecte una sección de alambre de cobre sólido a los conductores flexibles.
2. Conecte el cableado de aluminio a la sección añadida de alambre de cobre usando conectores especiales y/o herramientas diseñadas y de la lista de UL para unir el cobre al aluminio.

Siga el procedimiento recomendado por el fabricante del conector eléctrico. La conexión de cobre/aluminio deberá hacerse en conformidad con los códigos locales y las prácticas de cableado aceptadas por la industria.

- Los tamaños de los cables deben hacerse de acuerdo a los requisitos del National Electrical Code (Código Nacional Eléctrico), ANSI/NFPA 70 (última edición) o las normas de CSA C22. 1-94 Canadian Electrical Code (Código Canadiense de Electricidad), Parte 1 y C22.2 N° 0-M91 (última edición), y todos los códigos y ordenanzas locales.
- Debe proveerse un protector de cables aprobado por UL o CSA a cada extremo del cable/conducto de suministro de energía (en la caja de empalmes).

INSTRUCCIONES DE INSTALACIÓN

Preparación de la ubicación

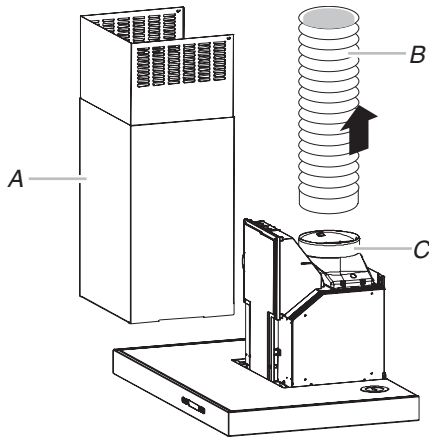
- Se recomienda instalar el juego de aire de complemento al mismo tiempo que la campana de la cocina.
- Si la campana para cocina ya se encuentra instalada, necesitará quitar las cubiertas de ventilación y el sistema del ducto de ventilación de la campana. Consulte el manual de su campana de cocina. (Vea las ilustraciones en la sección "Instalación del conducto conmutador de aire de complemento").
- El conducto conmutador de aire de complemento debe montarse en el ducto de ventilación sólo en posición vertical (hacia arriba).

Instalación del conducto conmutador de aire de complemento

Modelos de campana de cocina para montaje en muro o isla

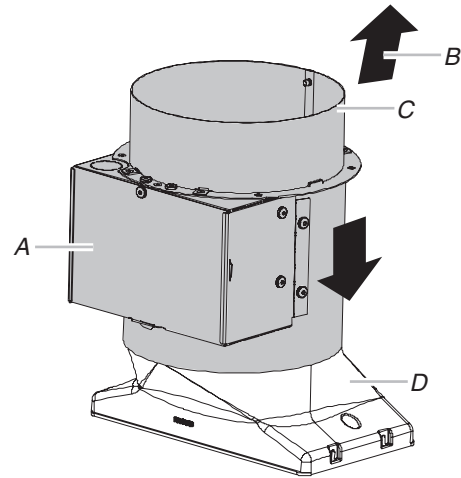
Conducto redondo conmutador de aire de complemento de 6" (15,2 cm) y 8" (20,3 cm) (de los juegos W10446915 y W10446916)

1. Desconecte el suministro de energía.
2. Si se encuentra instalada la campana para cocina, quite el sistema de ventilación y sus cubiertas y póngalas a un lado.



A. Cubiertas de ventilación
B. Sistema de ventilación
C. Pieza de transición del ducto

3. Instale el conducto conmutador de aire de complemento a la pieza de transición del ducto y selle la conexión con la abrazadera correspondiente. La cubierta de la caja de terminales debe estar en la parte delantera o a cualquiera de los lados para el acceso del cableado.



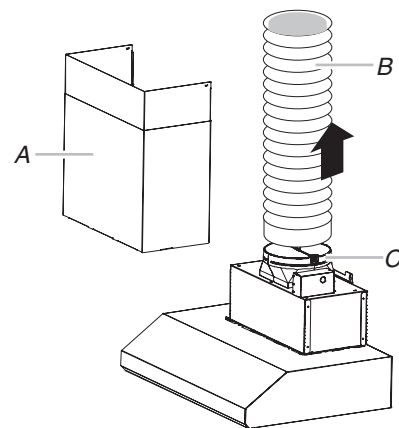
A. Cubierta de la caja de terminales
B. Flujo de aire
C. Conducto conmutador del aire de complemento
D. Pieza de transición del ducto

4. Instale la campana de cocina empleando las instrucciones de instalación provistas con la misma.

NOTA: Si ya se encuentra instalada la campana de cocina, vuelva a colocar el sistema de ventilación sobre el conducto conmutador de aire de complemento y selle las conexiones con abrazaderas para ductos.

Conducto redondo conmutador de aire de complemento de 10" (25,4 cm) (del juego W10446917)

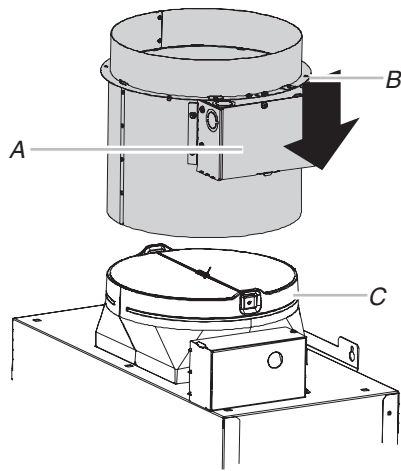
1. Desconecte el suministro de energía.
2. Si se encuentra instalada la campana para cocina, quite el sistema de ventilación y sus cubiertas y póngalas a un lado.



A. Cubiertas de ventilación
B. Sistema de ventilación
C. Pieza de transición del ducto

3. Instale el conducto conmutador de aire de complemento a la pieza de transición del ducto y selle la conexión con la abrazadera correspondiente.

NOTA: La caja de terminales debe orientarse ya sea a la derecha o a la izquierda de la campana de cocina para el acceso del cableado.



A. Cubierta de la caja de terminales
B. Conducto conmutador del aire de complemento
C. Pieza de transición del ducto

4. Instale la campana de cocina empleando las instrucciones de instalación provistas con la misma.

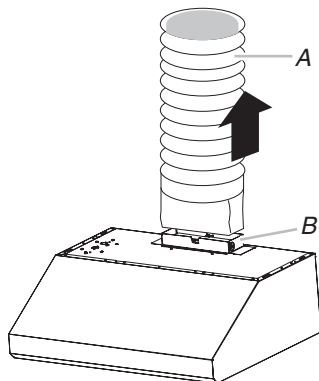
NOTA: Si ya se encuentra instalada la campana de cocina, vuelva a colocar el sistema de ventilación sobre el conducto conmutador de aire de complemento y selle las conexiones con abrazaderas para ductos.

Modelos de campana de cocina para montaje debajo de armarios

Conducto rectangular conmutador de aire de complemento de 3 1/4" x 10" (8,3 x 25,4 cm) (del juego W10446914)

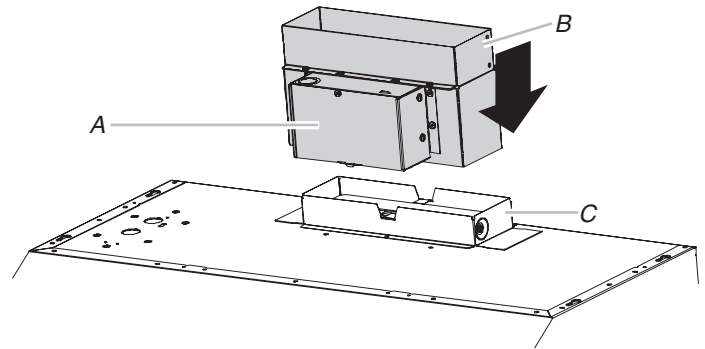
NOTA: La campana de cocina debe estar montada antes de que se conecte el conducto conmutador de aire de complemento. Use las instrucciones de instalación provistas con la campana de cocina.

1. Desconecte el suministro de energía.
2. Si se encuentra instalada la campana para cocina, quite el sistema de ventilación y póngalo a un lado.



A. Sistema de ventilación
B. Pieza de transición del ducto

3. Instale el conducto conmutador de aire de complemento a la pieza de transición del ducto y selle la conexión. La cubierta de la caja de terminales debe estar en la parte delantera para el acceso del cableado.



A. Cubierta de la caja de terminales
B. Conducto conmutador del aire de complemento
C. Pieza de transición del ducto

4. Instale el sistema de ventilación sobre el conducto conmutador de aire de complemento y selle las conexiones. Finalice la instalación de la campana de cocina empleando las instrucciones de instalación provistas con la misma.

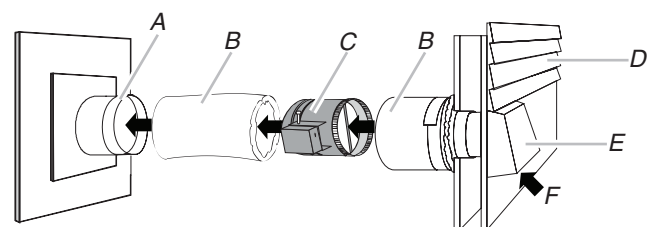
Instalación del regulador de tiro motorizado

IMPORTANTE: Observe todos los códigos y ordenanzas aplicables.

Es necesario contar con una ubicación adecuada de la toma de aire externo para asegurar que el regulador de tiro puede permitir con confiabilidad el ingreso de aire fresco dentro de la casa. Se deben cumplir los siguientes requisitos para ubicar la toma de aire externo:

- La toma de aire externo debe ubicarse a un mínimo de 10 pies (3,05 m) de los tubos de ventilación de los electrodomésticos de combustión, chimeneas, conductos de ventilación de plomería y ductos de escape de baños, lavandería o cocina.
- La toma de aire externo debe colocarse lo suficientemente alto en relación al nivel del suelo para evitar su obstrucción con nieve u otros desperdicios así como también hojas y debe estar a un mínimo de 1 pie (30,5 cm) por encima de la superficie.
- El regulador de tiro debe instalarse para extraer aire directamente del exterior. El aire de suplemento no debe extraerse de espacios angostos, garajes, áticos, viviendas adyacentes o cualquier parte confinada de la edificación.

Instale el regulador de tiro motorizado tal como se muestra. Consulte las ilustraciones en "Instalaciones típicas" en la sección "Requisitos de ubicación" para su referencia.



A. Orificio en muro
B. Conductos
C. Regulador de tiro de 6" (15,2 cm)
D. Muro/techo
E. Cubierta para muro o techo
F. Flujo de aire

Haga la conexión del suministro eléctrico

⚠ ADVERTENCIA



Peligro de Choque Eléctrico

Desconecte el suministro de energía antes de darle mantenimiento.

Vuelva a colocar todos los componentes y paneles antes de hacerlo funcionar.

No seguir estas instrucciones puede ocasionar la muerte o choque eléctrico.

Remoción e instalación de la cubierta de la caja de terminales del regulador de tiro motorizado

1. Presione hacia adentro y levante el extremo de la cubierta de la caja de terminales con el orificio para alambres a fin de sacar la cubierta.
2. Para instalar la cubierta de terminal, coloque la lengüeta de extremo rígido de la cubierta en la pequeña ranura que se encuentra en el montaje del motor, impulse la cubierta sobre el motor y deslice la segunda lengüeta en la ranura más grande.

Haga la conexión del suministro eléctrico

1. Desconecte el suministro de energía.
2. Determine la ubicación donde se colocará el conducto de cableado a lo largo del cielorraso o muro entre el regulador de tiro aire de complemento y el regulador de tiro motorizado.
3. Perfore un orificio en este lugar.
4. Ubique las cajas de terminales eléctricos en el conducto conmutador de aire de complemento y el regulador de tiro motorizado.
Quite las cubiertas de la caja de terminales y ponga las cubiertas y tornillos a un lado.
5. Determine los discos removibles que se usarán en las cajas de terminales para el regulador de tiro motorizado, el conducto conmutador de aire de complemento y la caja de empalmes de la casa.
Quite los discos removibles e instale un protector de cables de 1/2" (12,7 mm) que esté en la lista de UL o aprobado por CSA.

6. Tienda un cableado separado entre la caja de empalmes de la casa y las cajas de terminales para el regulador de tiro motorizado y el conducto conmutador de aire de complemento.

⚠ ADVERTENCIA



Peligro de Choque Eléctrico

Desconecte el suministro de energía antes de darle mantenimiento.

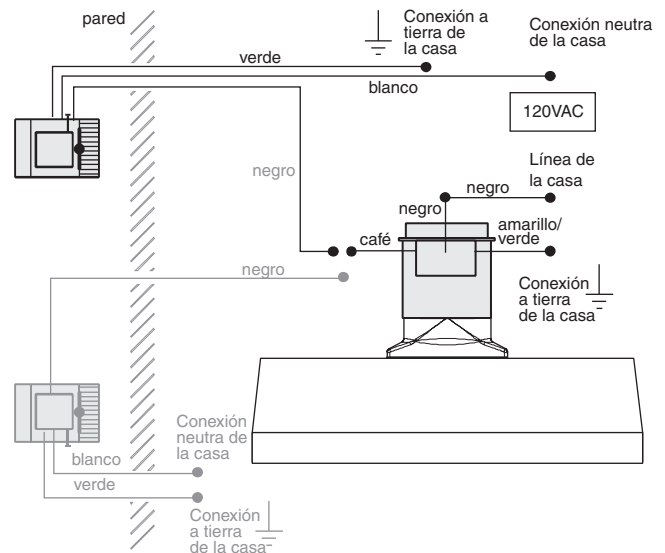
Conecte el alambre de tierra al alambre verde de conexión a tierra en la caja de terminales.

Vuelva a colocar todos los componentes y paneles antes de hacerlo funcionar.

No seguir estas instrucciones puede ocasionar la muerte, incendio o choque eléctrico.

7. Conecte los alambres verdes (amarillos/verdes) del conducto conmutador de aire de complemento y del regulador de tiro motorizado para realizar la puesta a tierra de la casa utilizando conectores de alambres que estén en la lista de UL.
8. Conecte el alambre café del conducto conmutador de aire de complemento al alambre (a los alambres) negro(s) del regulador de tiro motorizado usando un conector de alambres que esté en la lista de UL.
9. Conecte el alambre negro del conducto conmutador de aire de complemento al alambre negro de la línea de la casa utilizando un conector de alambres que esté en la lista de UL.
10. Conecte el (los) alambre(s) blanco(s) del regulador de tiro motorizado al alambre (a los alambres) blanco(s) neutral(es) usando conectores de alambre que estén en la lista de UL.

NOTA: El juego de aire de complemento de 10" (25,4 cm) debe instalarse con 2 reguladores de tiro motorizados. La figura más clara que se muestra es la conexión para el segundo regulador de tiro motorizado.



Instalación del aire de complemento de 10" (25,4 cm)

Verifique el funcionamiento

Una vez que se instalen el conducto conmutador de aire de complemento y el/los regulador(es) de tiro, el instalador deberá confirmar que el regulador de tiro motorizado abre y cierra con las señales provenientes de la campana.

- El regulador de tiro motorizado debe cerrarse o estar cerrado cuando el interruptor de velocidad de la campana de cocina se encuentra Apagado (Off) o Encendido (On) a baja velocidad.
- El regulador de tiro motorizado debe abrirse cuando el interruptor de velocidad de la campana de cocina se fija a velocidad media o mayor.

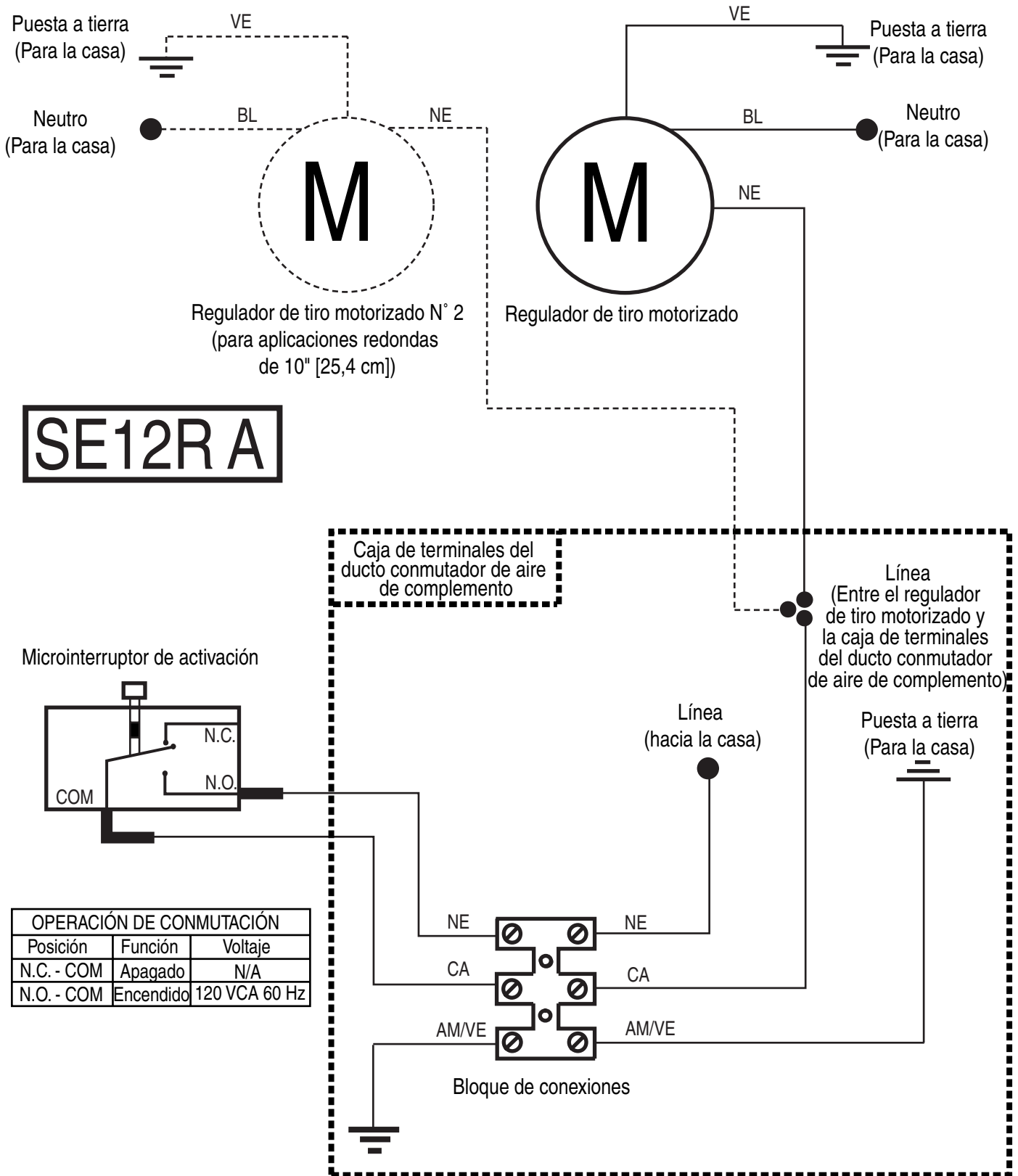
Un contratista calificado de calefacción, ventilación y acondicionamiento de aire (HVAC) deberá también asegurar el funcionamiento adecuado y la ventilación de todo el equipo de combustión en el hogar.

Mantenimiento del juego de aire de complemento

El mantenimiento periódico es necesario para asegurar el funcionamiento adecuado del sistema de aire de complemento. El incumplimiento del mantenimiento periódico puede disminuir la capacidad del regulador de tiro de introducir aire fresco en el hogar. El mantenimiento periódico deberá incluir las siguientes actividades.

- Mantener la abertura de la cubierta del extremo al exterior despejada, evitando la acumulación de nieve, hojas o vegetación en dicha cubierta.
- Limpiar o sustituir el/los filtro(s) interior(es) que sirven para filtrar aire fresco antes de que ingrese al hogar.
- Durante el mantenimiento periódico del sistema de calefacción, ventilación y acondicionamiento de aire (HVAC), haga que el contratista mecánico inspeccione el sistema del regulador de tiro para determinar su funcionamiento adecuado.

DIAGRAMA DE CABLEADO



AYUDA O SERVICIO TÉCNICO

Cuando llame para obtener ayuda o servicio, tenga a mano la fecha de compra y el número completo del modelo y de la serie de su electrodoméstico. Esta información nos ayudará a atender mejor a su pedido.

Si necesita piezas de repuesto

Si necesita pedir piezas de repuesto, recomendamos que use únicamente piezas especificadas de fábrica. Las piezas especificadas de fábrica encajarán bien y funcionarán bien ya que están confeccionadas con la misma precisión empleada en la fabricación de cada electrodoméstico nuevo. Para encontrar piezas de repuesto especificadas de fábrica en su localidad, llámenos o llame al centro de servicio técnico designado más cercano a su localidad.

En los EE.UU.

Llame al Centro para la eXperiencia del cliente de Whirlpool sin costo alguno al: **1-800-253-1301**.

Nuestros consultores ofrecen asistencia con respecto a:

- Características y especificaciones de nuestra línea completa de electrodomésticos.
- Información sobre instalación.
- Procedimiento para el uso y mantenimiento.

- Venta de accesorios y piezas para reparación.
- Asistencia especializada para el cliente (habla hispana, problemas de audición, visión limitada, etc.).
- Recomendaciones con distribuidores locales, compañías que dan servicio y distribuidores de partes para reparación. Los técnicos de servicio designados por Whirlpool están entrenados para cumplir con la garantía del producto y ofrecer servicio una vez que la garantía termine, en cualquier lugar de los Estados Unidos.

Para localizar a una compañía de servicio designada por Whirlpool en su área, también puede consultar la sección amarilla de su guía telefónica.

Para obtener más asistencia

Si necesita asistencia adicional, puede escribir a Whirlpool Corporation con sus preguntas o dudas a:

Whirlpool Brand Appliances
Customer eXperience Center
553 Benson Road
Benton Harbor, MI 49022-2692

Favor de incluir un número telefónico de día en su correspondencia.

GARANTÍA LIMITADA PARA LOS ACCESORIOS DE COCCIÓN DE WHIRLPOOL®

GARANTÍA LIMITADA DE 1 AÑO (SÓLO PARA LAS PIEZAS - NO SE INCLUYE LA MANO DE OBRA)

Durante un año a partir de la fecha de la presente compra, siempre y cuando el accesorio de cocción sea instalado, operado y mantenido de conformidad con las instrucciones adjuntas o provistas con este producto, Whirlpool Corporation o Whirlpool Canada LP (en lo sucesivo denominada "Whirlpool") se hará cargo, a su sola opción, de entregar piezas de repuesto especificadas de fábrica para corregir defectos en los materiales o en la mano de obra, o bien reemplazará el producto. Si el producto se reemplaza, la unidad de reemplazo estará cubierta por el tiempo restante de la garantía limitada de un año de la unidad original.

SU ÚNICO Y EXCLUSIVO RECURSO SEGÚN LOS TÉRMINOS DE LA GARANTÍA LIMITADA SERÁ EL DE REPARAR O REEMPLAZAR EL PRODUCTO A NUESTRA DISCRECIÓN, SEGÚN SE ESTIPULA EN LA PRESENTE. Esta garantía limitada es válida en los Estados Unidos y en Canadá, y se aplica solamente cuando el accesorio de cocción se use en el país en el que se ha comprado. Esta garantía limitada entrará en vigor a partir de la fecha de la compra del consumidor original. Se requiere una prueba de la fecha de compra original para obtener piezas de repuesto especificadas de fábrica o reemplazo del producto bajo esta garantía limitada.

EXCLUSIONES DE LA GARANTÍA

Esta garantía no cubre:

1. Servicio técnico a domicilio que incluye, sin limitación, visitas para corregir la instalación de su accesorio de cocción o para enseñarle cómo usar el producto.
2. Piezas de repuesto especificadas de fábrica o reemplazo del producto cuando su accesorio de cocción se use de un modo diferente al doméstico normal de una sola familia, o cuando se use de un modo contrario a las instrucciones publicadas para el usuario u operador y/o las instrucciones de instalación.
3. Daños causados por accidente, alteración, uso indebido, abuso, incendio, inundación, actos fortuitos, instalación incorrecta que no esté de acuerdo con los códigos eléctricos o de plomería locales, o el empleo de artículos de consumo o productos de limpieza no aprobados por Whirlpool Corporation.
4. Daños estéticos, incluyendo rayaduras, abolladuras, desportilladuras u otro daño al acabado de su accesorio de cocción, a menos que el mismo sea debido a defectos en los materiales o la mano de obra y se le informe a Whirlpool en un lapso de 30 días a partir de la fecha de compra.
5. Piezas especificadas de fábrica o reemplazo del producto como resultado de modificaciones no autorizadas que se hayan efectuado en el producto.
6. Gastos por viaje, transporte o envío que no sean los designados específicamente en esta garantía limitada del accesorio de cocción.
7. Remoción o reinstalación de adornos, paneles decorativos, armarios, paneles de yeso u otras instalaciones empotradas para la remoción o el reemplazo del producto.

El costo de la reparación o del reemplazo bajo estas circunstancias excluidas correrá por cuenta del cliente.

Si usted reside en Estados Unidos o en Canadá y necesita enviar una solicitud de servicio bajo la garantía:

1. Los clientes que se encuentren en EE.UU. deberán llamar a nuestra oficina de servicio al cliente al 1-800-253-1301, de 8:00 a.m. a 8:00 p.m., de lunes a viernes, hora estándar del este. Los clientes que se encuentren en Canadá deberán llamar a nuestra oficina de servicio al cliente al 1-800-807-6777, de 8:00 a.m. a 6:30 p.m., de lunes a viernes, hora estándar del este.
2. Provea al especialista el número de modelo y de serie, y la dirección completa de envío (no números de apartados postales, por favor).
3. El consultor le aconsejará si el accesorio de cocción califica para la provisión de piezas de repuesto especificadas de fábrica o para el reemplazo del producto.
4. Es posible que le instruyan que lleve el producto a un centro de servicio designado por Whirlpool. Usted se hará cargo del seguro y flete hasta el centro de servicio técnico designado. Sírvase incluir su nombre y domicilio en un papel junto con el comprobante de compra (recibo de registradora, comprobante de pago, etc.). El producto debe estar debidamente empaquetado para que no se dañe durante el transporte dado que no nos haremos cargo de ningún daño producido de esa manera.
5. Whirlpool le entregará la unidad especificada o, a nuestra opción, un accesorio de cocción idéntico o comparable, o piezas de repuesto especificadas de fábrica, a su domicilio libre de cargo.

EXCLUSIÓN DE GARANTÍAS IMPLÍCITAS

LAS GARANTÍAS IMPLÍCITAS, INCLUYENDO CUALQUIER GARANTÍA LIMITADA DE COMERCIABILIDAD O GARANTÍA LIMITADA DE CAPACIDAD PARA UN PROPÓSITO PARTICULAR, SERÁN LIMITADAS A UN AÑO O AL PERÍODO MÁS CORTO PERMITIDO POR LEY. Algunos estados y provincias no permiten la limitación de la duración de las garantías implícitas de comerciabilidad o capacidad, de modo que la limitación arriba indicada quizá no le corresponda. Esta garantía le otorga derechos legales específicos y es posible que usted tenga también otros derechos que varían de un estado a otro o de una provincia a otra.

LIMITACIONES DE RECURSOS; EXCLUSIÓN DE DAÑOS INCIDENTALES Y CONSECUENTES

SU ÚNICO Y EXCLUSIVO RECURSO SEGÚN LOS TÉRMINOS DE ESTA GARANTÍA LIMITADA SERÁ EL DE REPARAR O REEMPLAZAR EL PRODUCTO A NUESTRA DISCRECIÓN, SEGÚN SE ESTIPULA EN LA PRESENTE. WHIRLPOOL NO SE RESPONSABILIZARÁ POR DAÑOS INCIDENTALES O CONSECUENTES. Algunos estados y provincias no permiten la exclusión o limitación de daños incidentales o consecuentes, de modo que estas limitaciones quizás no le correspondan. Esta garantía le otorga derechos legales específicos y es posible que usted tenga también otros derechos que varían de un estado a otro o de una provincia a otra.

Esta garantía no tiene vigor fuera de los cincuenta estados de Estados Unidos y Canadá. Póngase en contacto con el distribuidor autorizado de Whirlpool para determinar si corresponde otra garantía. En los EE.UU., si necesita servicio, llame al **1-800-422-1230**. En Canadá, llame al **1-800-807-6777**. 12/11

Guarde este libro y su comprobante de compra juntos para referencia futura. Usted deberá proporcionar el comprobante de la compra o la fecha de instalación para obtener servicio bajo la garantía.

Anote la siguiente información acerca de su accesorio de cocción para facilitar la obtención de asistencia o servicio si llegara a necesitarlo. Deberá tener a mano el número completo del modelo.

Número de modelo _____

Número de serie _____

Fecha de compra _____

SÉCURITÉ DES CIRCUITS DE VENTILATION

Votre sécurité et celle des autres est très importante.

Nous donnons de nombreux messages de sécurité importants dans ce manuel et sur votre appareil ménager. Assurez-vous de toujours lire tous les messages de sécurité et de vous y conformer.



Voici le symbole d'alerte de sécurité.

Ce symbole d'alerte de sécurité vous signale les dangers potentiels de décès et de blessures graves à vous et à d'autres.

Tous les messages de sécurité suivront le symbole d'alerte de sécurité et le mot "DANGER" ou "AVERTISSEMENT". Ces mots signifient :

⚠ DANGER

Risque possible de décès ou de blessure grave si vous ne suivez pas immédiatement les instructions.

⚠ AVERTISSEMENT

Risque possible de décès ou de blessure grave si vous ne suivez pas les instructions.

Tous les messages de sécurité vous diront quel est le danger potentiel et vous disent comment réduire le risque de blessure et ce qui peut se produire en cas de non-respect des instructions.

IMPORTANTES INSTRUCTIONS DE SÉCURITÉ

AVERTISSEMENT : POUR RÉDUIRE LE RISQUE D'INCENDIE, CHOC ÉLECTRIQUE OU DOMMAGES CORPORELS, RESPECTER LES INSTRUCTIONS SUIVANTES :

- Utiliser cet appareil uniquement selon les modalités d'utilisation prévues par le fabricant. Pour toute question, contacter le fabricant à l'adresse ou au numéro de téléphone indiqués dans le présent document.
- Avant d'entreprendre une opération d'entretien ou de nettoyage sur l'appareil, interrompre l'alimentation de l'appareil au niveau du tableau de disjoncteurs, et verrouiller le tableau de disjoncteurs pour empêcher tout rétablissement accidentel de l'alimentation du circuit. Lorsqu'il n'est pas possible de verrouiller le tableau de disjoncteurs, placer sur le tableau de disjoncteurs une étiquette d'avertissement bien en vue interdisant le rétablissement de l'alimentation.
- Tout travail d'installation ou câblage électrique doit être réalisé par une/des personne(s) qualifiée(s), conformément aux prescriptions de tous les codes et normes applicables, y compris les codes et normes du bâtiment et de protection contre les incendies.
- Une source d'air de débit suffisant est nécessaire pour que la combustion et l'évacuation des gaz puisse s'effectuer correctement par la cheminée de l'appareil à gaz, afin d'éviter tout reflux des gaz de combustion. Respecter les directives du fabricant de l'équipement de chauffage et les prescriptions des normes de sécurité - comme celles publiées par la National Fire Protection Association (NFPA) et l'American Society for Heating, Refrigeration and Air Conditioning Engineers (ASHRAE), ainsi que les prescriptions des autorités réglementaires locales.
- Lors de l'installation, de la maintenance ou du nettoyage de l'appareil, il est recommandé de porter des gants et des lunettes de sécurité.
- Lors des opérations de découpage et de perçage dans un mur ou un plafond, ne pas endommager les câblages électriques ou canalisations qui peuvent s'y trouver.
- Les ventilateurs d'évacuation doivent toujours décharger l'air à l'extérieur.
- Cet appareil n'est pas conçu pour fournir de l'air de combustion pour des appareils à gaz.
- Ne pas raccorder cet appareil directement à un appareil à gaz.
- Lors de phénomènes météorologiques extrêmes comme des tempêtes de neige, veiller à ce que la zone de prise du conduit d'air extérieur ne soit pas obstruée et soit dégagée afin que l'air extérieur puisse pénétrer dans le circuit.

AVERTISSEMENT : POUR RÉDUIRE LE RISQUE D'INCENDIE, UTILISER UNIQUEMENT DES CONDUITS MÉTALLIQUES.

MISE EN GARDE : Cet appareil est conçu uniquement pour la ventilation générale. Ne pas l'utiliser pour l'extraction de matières ou vapeurs dangereuses ou explosives.

MISE EN GARDE : Pour minimiser le risque d'incendie et évacuer adéquatement les gaz, veiller à acheminer l'air aspiré par un conduit jusqu'à l'extérieur - ne pas décharger l'air aspiré dans un espace vide du bâtiment comme une cavité murale, un plafond, un grenier, un vide sanitaire ou un garage.

- Pour effectuer des encoches ou des trous dans la structure, notamment poutres de plancher, solives de rive ou poteaux muraux, respecter les restrictions des fabricants et des codes de construction concernant les modifications autorisées sur ces membres structurels.
- Cet appareil est prévu pour être installé dans un endroit du domicile à l'abri de l'humidité.
- Cet appareil doit être situé dans un endroit accessible permettant son inspection.
- Lorsque la législation fédérale, provinciale ou nationale contient des critères d'installation et/ou de certification plus restrictifs, ces derniers prévalent sur les critères spécifiés dans le présent document et l'installateur s'engage à les respecter à ses frais.

MISE EN GARDE :

- L'entrée d'air extérieur ne doit pas se trouver à proximité de matières dangereuses ou explosives.
- L'appareil ne doit pas être installé pour introduire de l'air provenant de vides sanitaires, garages, greniers, logements adjacents ou autres espaces appartenant à la même structure. L'appareil doit être installé pour introduire de l'air directement de l'extérieur.
- Ne pas faire passer la conduite d'air extérieur directement au-dessus ou à moins de 2 pi (0,6 m) d'un calorifère, de sa chambre de distribution, d'une chaudière ou de tout autre appareil producteur de chaleur.
- Toute la tuyauterie utilisée en rapport avec le registre doit être installée conformément à tous les codes locaux et nationaux en vigueur.
- Ne pas actionner le registre pour introduire de l'air frais tant que les filtres du circuit, notamment le filtre du circuit de conduites central, n'ont pas été installés conformément à la conception.
- Lire l'étiquette signalétique figurant sur l'appareil pour en savoir plus sur les conditions requises
- L'entrée d'air extérieur du registre, les conduites et les filtres doivent être régulièrement contrôlés et entretenus.
- Isoler les conduites et le registre pour éviter l'accumulation de condensation dans des climats froids. Des pare-vapeur de chaque côté de l'isolation sont recommandés.

LIRE ET CONSERVER CES INSTRUCTIONS

EXIGENCES D'INSTALLATION

Outils et pièces

Rassembler les outils et composants nécessaires avant d'entreprendre l'installation. Lire et observer les instructions fournies avec chacun des outils de la liste ci-dessous.

Outils nécessaires

- Perceuse avec foret de 1 1/4" (3,0 cm)
- Crayon
- Pince à dénuder ou couteau utilitaire
- Mètre-ruban ou règle
- Pince
- Pistolet à calfeutrage et composé de calfeutrage résistant aux intempéries
- Scie sauteuse ou scie à guichet
- Tournevis à lame plate
- Cisaille de ferblantier
- Tournevis Phillips

Composants nécessaires (les quantités des composants sont déterminées par les exigences d'installation)

- Câble d'alimentation électrique du domicile
- Brides de conduit
- Bouche de décharge murale ou à travers le toit
- Conduit d'évacuation de 6" (15,2 cm) de diamètre pour le raccordement au clapet motorisé. (Les longueurs sont déterminées par les exigences d'installation.)
- Connecteurs de fils (homologation UL)
- Serre-câble de 1/2" (12,7 mm) (homologation UL ou CSA)

Pièces fournies

Retirer les pièces de leur emballage. Vérifier que toutes les pièces sont présentes.

Ensemble d'air de compensation rectangulaire de 3 1/4 x 10" (8,3 x 25,4 cm) (W10446914)

- Conduit de commutateur de débit d'air de compensation de 3 1/4 x 10" (8,3 x 25,4 cm)
- Clapet motorisé de 6" (15,2 cm)
- Adaptateur T10 Torx®†

Ensemble d'air de compensation rond de 6" (15,2 cm) (W10446915)

- Conduit rond de commutateur de débit d'air de compensation de 6" (15,2 cm)
- Clapet motorisé de 6" (15,2 cm)
- Adaptateur T10 Torx®†

Ensemble d'air de compensation rond de 8" (20,3 cm) (W10446916)

- Conduit rond de commutateur de débit d'air de compensation de 8" (20,3 cm)
- Clapet motorisé de 6" (15,2 cm)
- Adaptateur T10 Torx®†

Conduit rond de commutateur de débit d'air de compensation de 10" (25,4 cm) (W10446917)

- Conduit rond de commutateur de débit d'air de compensation de 10" (25,4 cm)
- 2 clapets motorisés de 6" (15,2 cm)
- Adaptateur T10 Torx®†

Exigences d'emplacement

IMPORTANT : Observer les dispositions de tous les codes et règlements en vigueur.

Confier l'installation de cet ensemble d'air de compensation à un technicien qualifié. C'est à l'installateur qu'incombe la responsabilité de respecter les distances de séparation exigées.

Une prise de courant électrique reliée à la terre est nécessaire. Voir la section "Spécifications électriques".

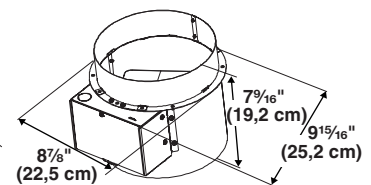
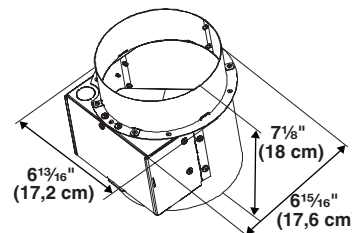
Assurer l'étanchéité au niveau de chaque ouverture découpée dans le plafond ou le mur.

Dimensions du produit

Conduit du commutateur de débit d'air de compensation (installé sur la hotte)

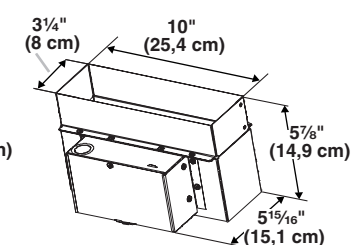
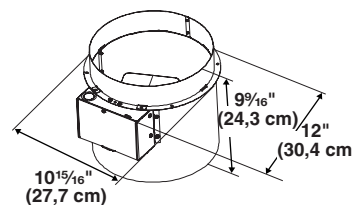
Ensemble W10446915 de 6" (15,2 cm)

Ensemble W10446916 de 8" (20,3 cm)

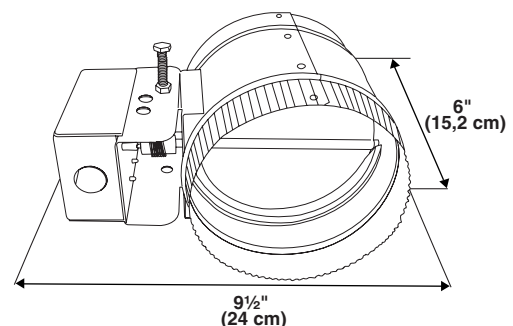


Ensemble W10446917 de 10" (25,4 cm)

Ensemble W10446914 de 3 1/4 x 10" (8,3 x 25,4 cm)



Clapet motorisé de 6" (15,2 cm) (installé pour la prise d'air extérieur)



†TORX est une marque déposée de Saturn Fasteners, Inc.

Planification de l'installation

Planification de l'installation du conduit du commutateur de débit d'air de compensation

Cet ensemble d'air de compensation ne peut être utilisé qu'avec les hottes à circuit d'évacuation. L'ensemble d'air de compensation doit correspondre à la taille du raccord de transition de la hotte.

Planification de l'installation du clapet motorisé

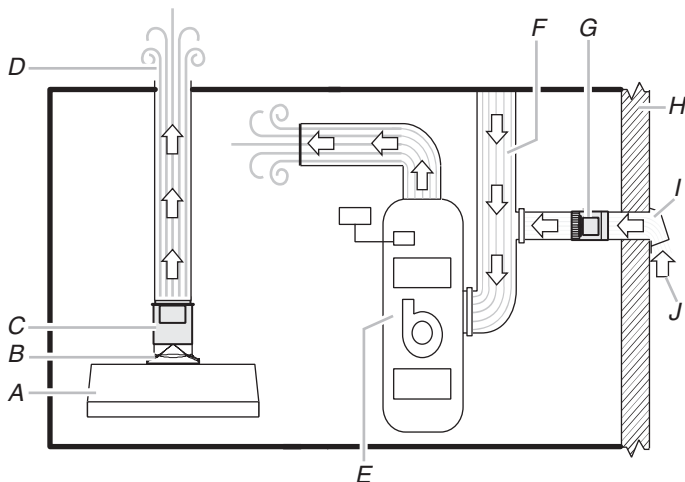
La planification de l'installation nécessite en premier lieu de sélectionner la meilleure approche d'installation. Les illustrations suivantes offrent des suggestions concernant la meilleure approche d'installation en prenant en compte certains facteurs importants.

Installations typiques

Les installations varient selon l'emplacement où le clapet motorisé sera installé dans le domicile et selon l'ensemble d'air de compensation utilisé. Les illustrations suivantes peuvent être utilisées comme guide de référence pour réaliser l'installation. Toujours respecter les dispositions de tous les codes et règlements en vigueur.

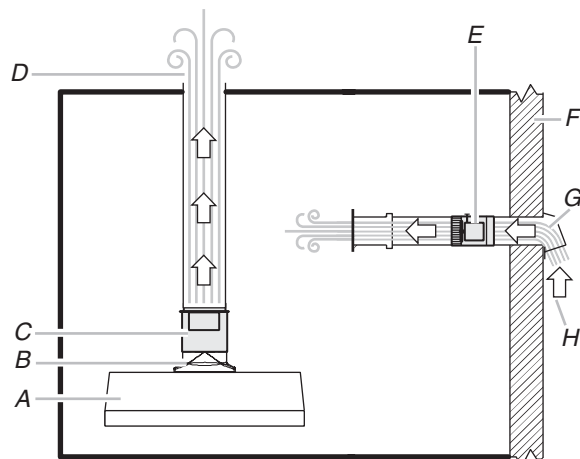
REMARQUE : L'ensemble d'air de compensation rond de 10" (25,4 cm) doit être installé avec deux conduits d'entrée d'air indépendants. Utiliser les 2 clapets motorisés fournis avec l'ensemble (1 pour chaque conduit d'entrée d'air frais).

Connexion du clapet motorisé au côté de retour d'air du système de conduit central



- A. Hotte
- B. Raccord de transition
- C. Conduit du commutateur de débit d'air de compensation
- D. Évacuation de la hotte
- E. Système de chauffage/climatisation
- F. Système central de retour d'air
- G. Clapet motorisé
- H. Mur ou toit
- I. Bouche de décharge (décharge à travers le mur ou à travers le toit)
- J. Air extérieur

Le clapet motorisé et la prise d'air extérieur sont directement raccordés à un toit, un plancher ou une bouche murale



- A. Hotte
- B. Raccord de transition
- C. Conduit du commutateur de débit d'air de compensation
- D. Évacuation de la hotte
- E. Clapet motorisé
- F. Mur ou toit
- G. Bouche de décharge (décharge à travers le mur ou à travers le toit)
- H. Air extérieur

Spécifications électriques

Observer les dispositions de tous les codes et règlements en vigueur.

S'assurer que l'installation électrique est correcte et qu'elle satisfait aux exigences de la plus récente édition de la norme National Electrical Code, ANSI/NFPA 70, ou de la norme CSA C22. 1-94, Code canadien de l'électricité, partie 1 et C22.2 N° 0-M91 (dernière édition) et de tous les codes et règlements en vigueur.

Si les codes le permettent et si l'on utilise un conducteur distinct de liaison à la terre, il est recommandé qu'un électricien qualifié vérifie la qualité de la liaison à la terre.

Pour obtenir un exemplaire des normes des codes ci-dessus, contacter :

National Fire Protection Association
1 Batterymarch Park
Quincy, MA 02169-7471
CSA International
8501 East Pleasant Valley Road
Cleveland, OH 44131-5575

- L'appareil doit être alimenté par un circuit de 120 V, CA seulement, 60 Hz, 15 ampères, protégé par fusible.
- Si le domicile possède un câblage en aluminium, suivre la procédure ci-dessous :

1. Raccorder une section de câble en cuivre massif aux conducteurs en queue de cochon.
2. Connecter le câblage en aluminium à la section ajoutée de câblage en cuivre en utilisant des connecteurs et/ou des outils spécialement conçus et homologués UL pour fixer le cuivre à l'aluminium.

Suivre la procédure recommandée par le fabricant de connecteurs électriques. La connexion aluminium/cuivre doit être conforme aux codes locaux et aux pratiques de câblage acceptées par l'industrie.

- Le calibre des conducteurs doit être conforme aux exigences du National Electrical Code, de la plus récente édition de la norme ANSI/NFPA 70 ou des normes CSA C22. 1-94, Code canadien de l'électricité, partie 1 et C22.2 N° 0-M91 (édition la plus récente) et de tous les codes et règlements en vigueur.
- Un serre-câble (homologation UL ou CSA) doit être installé à chaque extrémité du câble d'alimentation/conduit (sur les boîtiers de connexion).

INSTRUCTIONS D'INSTALLATION

Préparation de l'emplacement

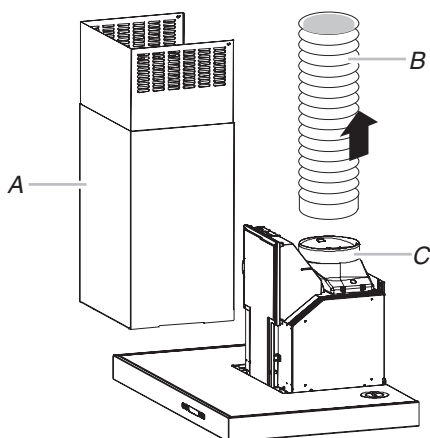
- Il est recommandé d'installer l'ensemble d'air de compensation en même temps que la hotte.
- Si la hotte est déjà installée, il faut retirer les cache-conduits et le système de conduit d'évacuation de la hotte. Consulter le manuel de la hotte. (Voir les illustrations de la section "Installation du conduit du commutateur de débit d'air de compensation".)
- Le conduit du commutateur d'air de compensation doit être raccordé au conduit d'évacuation en position verticale (vers le haut) uniquement.

Installation du conduit du commutateur de débit d'air de compensation

Modèles de hottes à installation murale ou en îlot

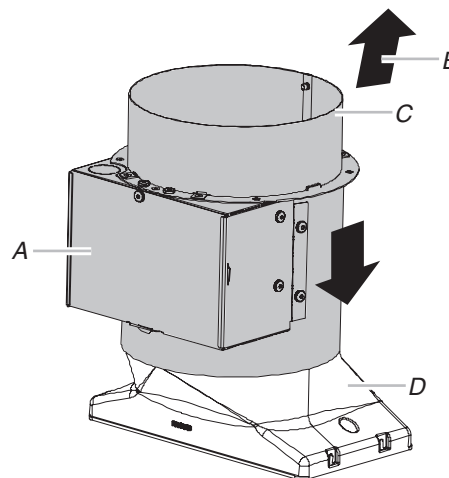
Conduits ronds de commutateur de débit d'air de compensation de 6" (15,2 cm) et 8" (20,3 cm) (ensembles W10446915 et W10446916)

1. Déconnecter la source de courant électrique.
2. Si la hotte est installée, retirer le système d'évacuation et ses cache-conduits et les mettre de côté.



A. Cache-conduits
B. Système d'évacuation
C. Raccord de transition

3. Raccorder le conduit du commutateur de débit d'air de compensation au raccord de transition et serrer le raccordement avec une bride de fixation. Le couvercle du boîtier de connexion doit être situé sur sa face avant ou sur l'une de ses faces latérales pour faciliter l'accès au câblage.



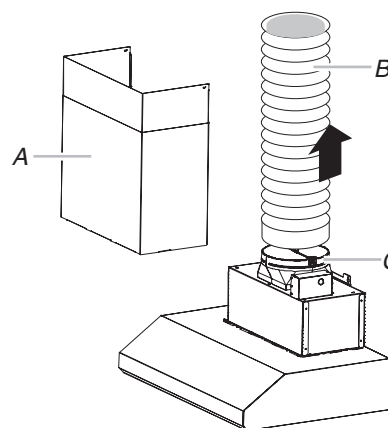
A. Couvercle du boîtier de connexion
B. Débit d'air
C. Conduit du commutateur de débit d'air de compensation
D. Raccord de transition

4. Installer la hotte en suivant les instructions d'installation correspondantes.

REMARQUE : Si la hotte est déjà installée, replacer le système d'évacuation dans le conduit du commutateur de débit d'air de compensation et serrer les raccordements avec les brides de fixation.

Conduit de commutateur de débit d'air de 10" (25,4 cm) (ensemble W10446917)

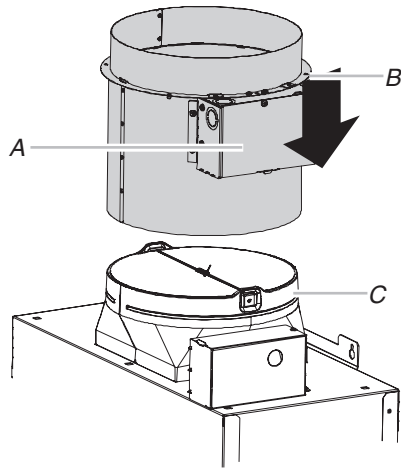
1. Déconnecter la source de courant électrique.
2. Si la hotte est installée, retirer le système d'évacuation et ses cache-conduits et les mettre de côté.



A. Cache-conduits
B. Système d'évacuation
C. Raccord de transition

- Raccorder le conduit du commutateur de débit d'air de compensation au raccord de transition et serrer le raccordement avec une bride de fixation.

REMARQUE : Le boîtier de connexion doit être orienté vers le côté droit ou gauche de la hotte pour faciliter l'accès au câblage.

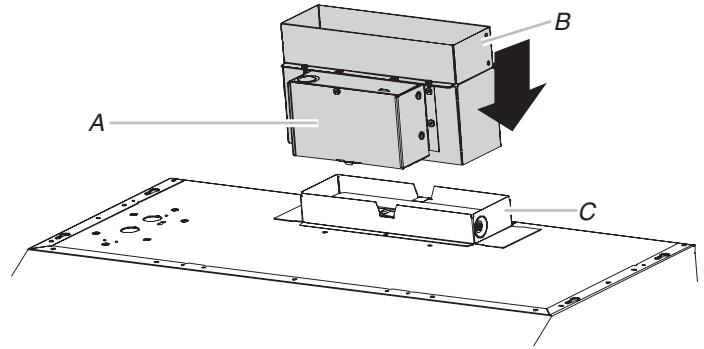


A. Couverture du boîtier de connexion
B. Conduit du commutateur de débit d'air de compensation
C. Raccord de transition

- Installer la hotte en suivant les instructions d'installation correspondantes.

REMARQUE : Si la hotte est déjà installée, replacer le système d'évacuation dans le conduit du commutateur de débit d'air de compensation et serrer les raccordements avec les brides de fixation.

- Raccorder le conduit du commutateur de débit d'air de compensation au raccord de transition et serrer le raccordement. Le couvercle du boîtier de connexion doit être situé sur sa face avant pour faciliter l'accès au câblage.



A. Couverture du boîtier de connexion
B. Conduit du commutateur de débit d'air de compensation
C. Raccord de transition

- Raccorder le système d'évacuation au conduit du commutateur de débit d'air de compensation et serrer le raccordement. Terminer l'installation de la hotte en suivant les instructions d'installation correspondantes.

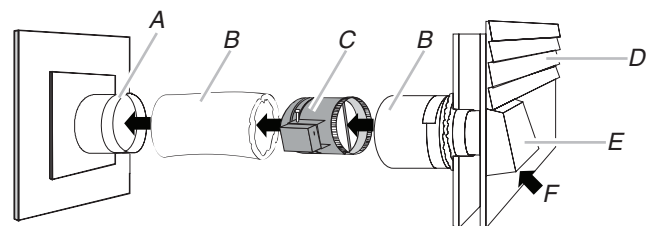
Installation du clapet motorisé

IMPORTANT : Observer les dispositions de tous les codes et règlements en vigueur.

Un positionnement correct de la prise d'air extérieur est nécessaire pour garantir que le clapet permet à l'air frais d'entrer dans le domicile convenablement. L'emplacement de la prise d'air extérieur doit répondre aux exigences suivantes :

- La prise d'air extérieur doit être située à 10 pi (3,05 m), au moins, des événements des appareils à gaz, des cheminées, des colonnes de plomberie, et des conduits d'évacuation de la salle de bains, de la salle de buanderie ou de la cuisine.
- La prise d'air extérieur doit être placée suffisamment haut au-dessus du sol, pour éviter l'obstruction par la neige ou d'autres débris comme les feuilles, et à un minimum de 1 pi (30,5 cm) au-dessus du sol.
- Le clapet doit être installé de façon à prélever l'air directement de l'extérieur. L'air de compensation ne doit pas être prélevé des espaces sanitaires, des garages, des greniers, des logements adjacents ou de n'importe quelle autre partie fermée du bâtiment.

Installer le clapet motorisé comme indiqué. Consulter les illustrations dans "Installations typiques" dans la section "Exigences d'emplacement" comme référence.



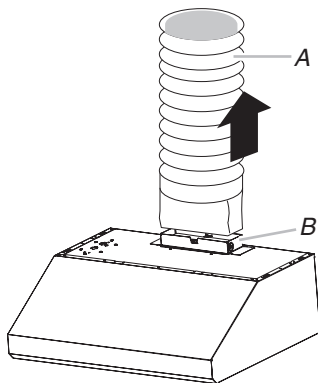
A. Bouche murale
B. Conduits
C. Clapet motorisé de 6" (15,2 cm)
D. Mur/toit
E. Bouche de décharge (décharge à travers le mur ou à travers le toit)
F. Passage d'air

Modèles de hottes placard

Conduit rectangulaire de commutateur de débit d'air de compensation de 3¼" x 10" (8,3 x 25,4 cm) (ensemble W10446914)

REMARQUE : La hotte doit être installée avant que le conduit du commutateur de débit d'air de compensation ne soit fixé. Utiliser les instructions d'installation correspondant à la hotte.

- Déconnecter la source de courant électrique.
- Si la hotte est installée, retirer le système d'évacuation et le mettre de côté.



A. Système d'évacuation
B. Raccord de transition

Raccordement électrique

⚠ AVERTISSEMENT



Risque de choc électrique

Déconnecter la source de courant électrique avant l'entretien.

Replacer pièces et panneaux avant de faire la remise en marche.

Le non-respect de ces instructions peut causer un décès ou un choc électrique.

Dépose et installation du couvercle du boîtier de connexion du clapet motorisé

1. Appuyer sur l'extrémité du couvercle du boîtier de connexion qui possède un trou de câblage et la soulever afin de retirer le couvercle.
2. Pour installer le couvercle du boîtier de connexion, placer l'onglet de positionnement de la face pleine du couvercle dans la petite encoche du support du moteur, rabattre le couvercle sur le moteur et glisser le deuxième onglet de positionnement dans la plus grande encoche.

Effectuer le raccordement électrique

1. Déconnecter la source de courant électrique.
2. Déterminer l'emplacement de passage du conduit de câblage à travers le plafond ou le mur entre le clapet d'air de compensation et le clapet motorisé.
3. Percer un trou à cet endroit.
4. Localiser les boîtiers de connexion électrique dans le conduit du commutateur de débit d'air et le clapet motorisé. Retirer les couvercles du boîtier de connexion et les mettre de côté avec les vis.
5. Identifier les opercules arrachables dans les boîtiers de connexion du clapet motorisé et du conduit du commutateur de débit d'air ainsi que le boîtier de raccordement domestique qui seront utilisés. Retirer les opercules arrachables et installer un serre-câble de 1/2" (12,7 mm) (homologation UL ou CSA) à chaque emplacement.

6. Acheminer des câblages différents entre le boîtier de raccordement domestique et les boîtiers de connexion du clapet motorisé et du conduit du commutateur de débit d'air.

⚠ AVERTISSEMENT



Risque de choc électrique

Déconnecter la source de courant électrique avant l'entretien.

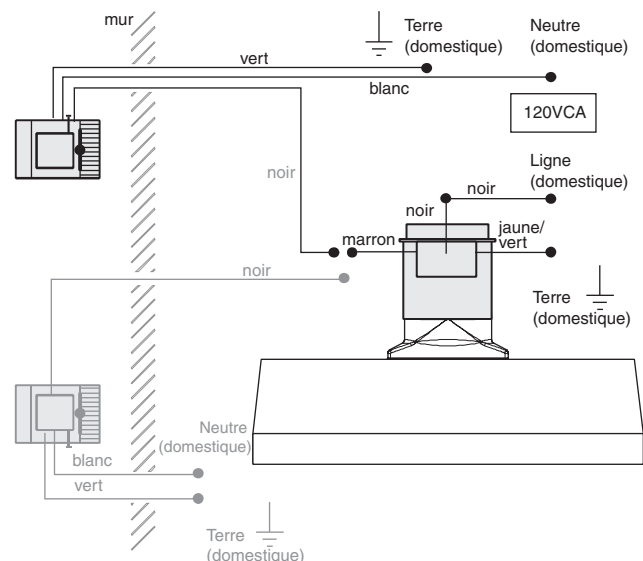
Brancher le fil relié à la terre au fil vert relié à la terre dans le boîtier de connexion.

Replacer pièces et panneaux avant de faire la remise en marche.

Le non-respect de ces instructions peut causer un décès, un incendie ou un choc électrique.

7. Raccorder les conducteurs verts (jaune/vert) du conduit du commutateur de débit d'air de compensation et du clapet motorisé à la terre (domestique) en utilisant des connecteurs de fils (homologation UL).
8. Raccorder le conducteur marron du conduit du commutateur de débit d'air de compensation au(x) conducteur(s) noir(s) du clapet motorisé en utilisant des connecteurs de fils (homologation UL).
9. Raccorder le conducteur noir du conduit du commutateur de débit d'air de compensation à celui du clapet motorisé en utilisant des connecteurs de fils (homologation UL).
10. Connecter le(s) conducteur(s) blanc(s) du clapet motorisé au(x) conducteur(s) blanc(s) neutre(s) du domicile en utilisant des connecteurs de fils (homologation UL).

REMARQUE : L'ensemble d'air de compensation de 10" (25,4 cm) doit être installé avec 2 clapets motorisés. La figure la plus claire indique la connexion pour le second clapet motorisé.



Installation de l'ensemble d'air de compensation de 10" (25,4 cm)

Contrôle du fonctionnement

Une fois le conduit du commutateur de débit d'air de compensation et le(s) clapet(s) installés, l'installateur doit confirmer que le clapet motorisé s'ouvre et se ferme selon les signaux de la hotte.

- Le clapet motorisé doit se fermer ou être fermé lorsque le commutateur de vitesse de la hotte est fermé ou ouvert à basse vitesse.
- Le clapet motorisé doit s'ouvrir lorsque le commutateur de vitesse de la hotte est réglé sur une vitesse moyenne ou plus élevée.

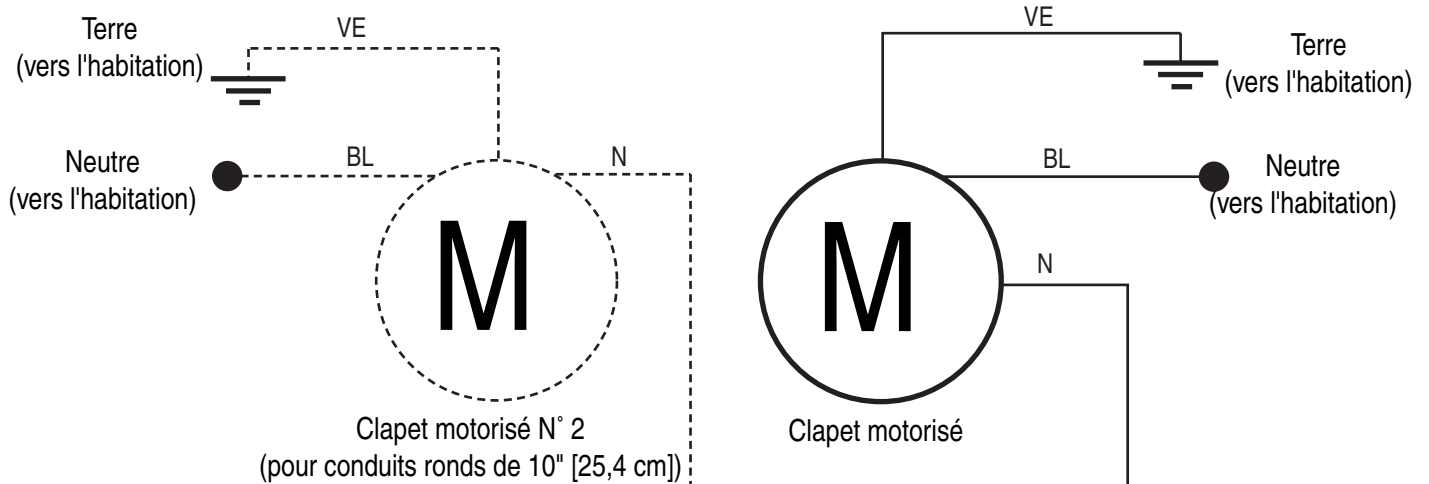
Un spécialiste en chauffage/climatisation doit aussi s'assurer du bon fonctionnement et de la bonne évacuation de tous les équipements à gaz du domicile.

Maintenance de l'ensemble d'air de compensation

Une maintenance régulière est nécessaire pour assurer le bon fonctionnement du système d'air de compensation. Ne pas effectuer la maintenance de routine peut entraîner la réduction de la capacité du clapet à fournir de l'air frais dans le domicile. Une maintenance régulière doit s'accompagner des points suivants :

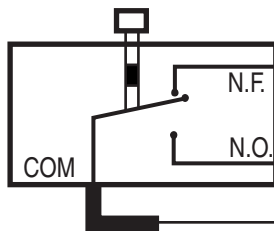
- Garder l'ouverture de l'embout extérieur libre de toute obstruction, en empêchant la neige, les feuilles ou la végétation de s'accumuler sur l'embout.
- Nettoyer ou remplacer le ou les filtres qui servent à filtrer l'air frais avant son entrée dans le domicile.
- Durant la maintenance de chauffage/climatisation régulière, faire inspecter le système du clapet par le technicien de maintenance afin de vérifier son bon fonctionnement.

SCHÉMA DE CÂBLAGE

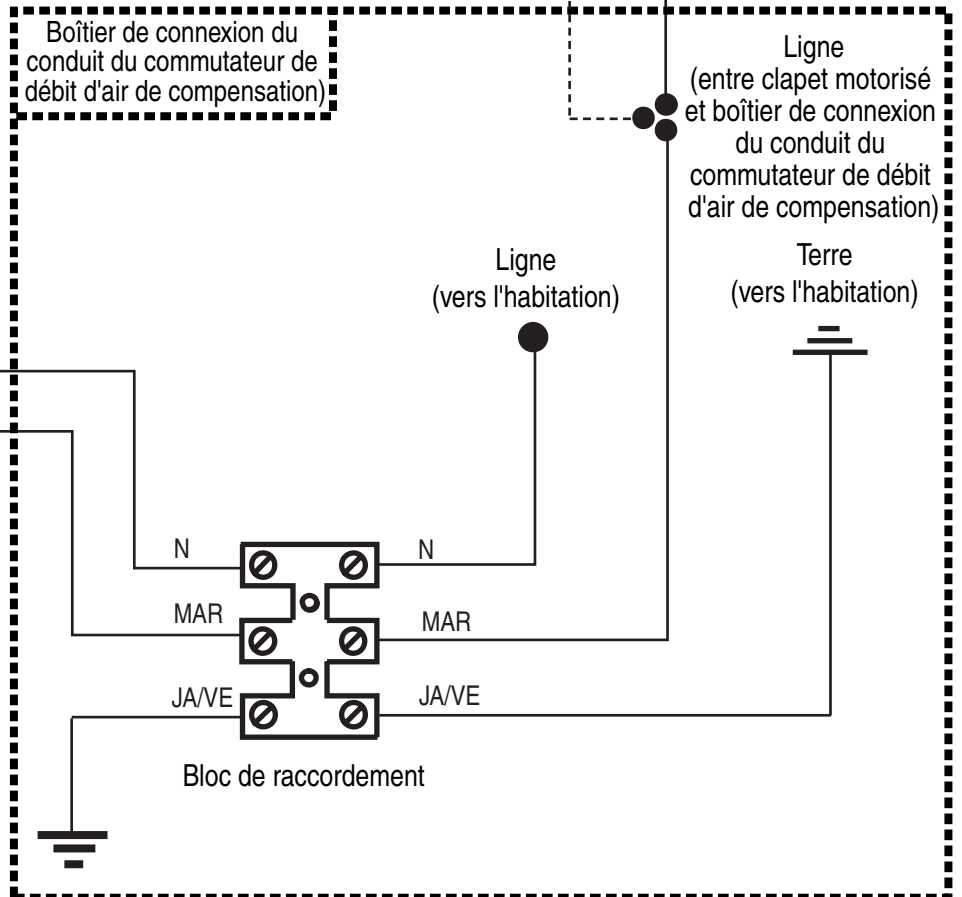


SE12R A

Microcontact d'activation



Fonctionnement du contact		
Position	Fonction	Tension
N.F. - COM	Fermé	N/A
N.O. - COM	Ouvert	120 V CA 60Hz



ASSISTANCE OU SERVICE

Lors d'un appel pour assistance ou service, veuillez connaître la date d'achat, le numéro de modèle et le numéro de série complets de l'appareil. Ces renseignements nous aideront à mieux répondre à votre demande.

Si vous avez besoin de pièces de rechange

Si vous avez besoin de commander des pièces de rechange, nous vous recommandons d'employer uniquement les pièces spécifiées par l'usine. Les pièces spécifiées par l'usine conviendront et fonctionneront bien parce qu'elles sont fabriquées avec la même précision utilisée dans la fabrication de chaque nouvel appareil. Pour localiser les pièces spécifiées par l'usine, dans votre région, nous appelons ou téléphonons au centre de service désigné le plus proche.

Au Canada

Veuillez appeler sans frais le Centre pour l'eXpérience de la clientèle de Whirlpool Canada LP au : **1-800-807-6777**.

Nos consultants vous renseigneront sur les sujets suivants :

- Caractéristiques et spécifications sur toute notre gamme d'appareils électroménagers.
- Consignes d'utilisation et d'entretien.
- Ventes d'accessoires et de pièces de rechange.
- Références aux marchands locaux, aux distributeurs de pièces de rechange et aux compagnies de service. Les techniciens de service désignés par Whirlpool Canada LP sont formés pour remplir la garantie des produits et fournir un service après la garantie, partout au Canada.

Pour plus d'assistance

Si vous avez besoin de plus d'assistance, vous pouvez soumettre par écrit toute question ou préoccupation à Whirlpool Canada LP à l'adresse suivante :

Whirlpool Canada LP
Centre pour l'eXpérience de la clientèle
200 - 6750 Century Ave.
Mississauga, Ontario L5N 0B7

Veuillez inclure dans votre correspondance un numéro de téléphone où l'on peut vous joindre dans la journée.

GARANTIE LIMITÉE D'ACCESSOIRE DE CUISSON WHIRLPOOL®

GARANTIE LIMITÉE DE UN AN - (PIÈCES UNIQUEMENT - MAIN-D'ŒUVRE NON COMPRISE)

Pendant un an à compter de la date d'achat, lorsque cet accessoire de cuisson est installé, utilisé et entretenu conformément aux instructions jointes à ou fournies avec ce produit, Whirlpool Corporation ou Whirlpool Canada LP (ci-après désignées sous le nom de "Whirlpool") choisira à sa seule discrétion de fournir les pièces de rechange spécifiées par l'usine pour corriger les vices de matériaux ou de fabrication, ou de remplacer le produit. S'il est remplacé, l'appareil restera sous garantie pendant la durée restant à courir de la garantie limitée d'un an sur le produit d'origine.

LE SEUL ET EXCLUSIF RECOURS DU CLIENT DANS LE CADRE DE LA PRÉSENTE GARANTIE LIMITÉE CONSISTE EN LA RÉPARATION OU LE REMPLACEMENT DE L'APPAREIL TEL QUE PRÉVU PAR LA PRÉSENTE, ET CE À NOTRE SEULE DISCRÉTION. Cette garantie limitée est valable uniquement aux États-Unis et au Canada et s'applique exclusivement lorsque l'accessoire de cuisson est utilisé dans le pays où il a été acheté. La présente garantie limitée est valable à compter de la date d'achat initial par le consommateur. Une preuve de la date d'achat initial est exigée pour obtenir des pièces de rechange spécifiées par l'usine ou un appareil de remplacement dans le cadre de la présente garantie limitée.

ÉLÉMENTS EXCLUS DE LA GARANTIE

La présente garantie ne couvre pas :

1. Les interventions de dépannage à domicile, notamment les interventions visant à rectifier l'installation de l'accessoire de cuisson ou à expliquer à l'utilisateur le mode d'utilisation du produit.
2. Le remplacement du produit ou les pièces spécifiées par l'usine lorsque l'accessoire de cuisson est utilisé à des fins autres qu'un usage domestique unifamilial normal ou lorsque les instructions d'installation et/ou les instructions de l'opérateur et (ou) de l'utilisateur fournies ne sont pas respectées.
3. Les dommages imputables à : accident, modification, usage impropre ou abusif, incendie, inondation, actes de Dieu, installation fautive ou installation non conforme aux codes d'électricité ou de plomberie ou l'utilisation de pièces consommables ou de produits de nettoyage non approuvés par Whirlpool Corporation.
4. Les défauts d'esthétique, notamment les éraflures, traces de choc, fissures ou tout autre dommage subi par l'accessoire de cuisson, à moins que ces dommages ne résultent de vices de matériaux ou de fabrication et ne soient signalés à Whirlpool dans les 30 jours suivant la date d'achat.
5. Les pièces spécifiées par l'usine ou le remplacement du produit résultant d'une modification non autorisée apportée au produit.
6. Les frais de déplacement, de transport ou d'expédition indépendants des frais expressément stipulés dans la présente garantie limitée de l'accessoire de cuisson.
7. Le retrait ou la réinstallation de garnitures, panneaux décoratifs, meubles, panneaux de gypse ou autres dispositifs préinstallés et/ou le remplacement du produit.

Le coût d'une réparation ou d'un remplacement dans le cadre de ces circonstances exclues est à la charge du client.

Si vous résidez aux États-Unis ou au Canada et que vous devez soumettre une demande de dépannage dans le cadre de la garantie :

1. Les clients résidant aux É.-U. doivent contacter notre service à la clientèle au 1-800-253-1301, de 8 h à 20 h, du lundi au vendredi, heure normale de l'Est. Les clients résidant au Canada doivent contacter notre service à la clientèle au 1-800-807-6777, de 8 h à 18 h 30, du lundi au vendredi, heure normale de l'Est.
2. Fournir au conseiller le numéro de modèle et de série du produit, ainsi qu'une adresse d'expédition (pas de boîte postale S.V.P.).
3. Le conseiller vous indiquera si l'accessoire de cuisson peut bénéficier de pièces de rechange spécifiées par l'usine ou d'un remplacement.
4. Il vous sera peut-être demandé d'envoyer le produit à un centre de réparation désigné par Whirlpool. L'assurance et le fret jusqu'au centre de réparation désigné relèvent de votre responsabilité. Veuillez indiquer vos nom et adresse sur un morceau de papier et l'accompagner d'une copie de votre preuve d'achat (reçu de caisse, bordereau d'achat, etc.). Le produit doit être correctement emballé pour éviter tout dommage pendant le transport car nous ne pourrions être tenus responsables d'un tel dommage.
5. Whirlpool retournera sans frais à votre domicile l'appareil concerné ou, à sa discrétion, un accessoire de cuisson identique ou comparable, ou encore des pièces de rechange spécifiées par l'usine.

CLAUSE D'EXONÉRATION DE RESPONSABILITÉ AU TITRE DES GARANTIES IMPLICITES

LES GARANTIES IMPLICITES, Y COMPRIS LES GARANTIES APPLICABLES DE QUALITÉ MARCHANDE OU D'APTITUDE À UN USAGE PARTICULIER, SONT LIMITÉES À 1 AN OU À LA PLUS COURTE PÉRIODE AUTORISÉE PAR LA LOI. Certains États et provinces ne permettent pas de limitation sur la durée des garanties implicites de qualité marchande ou d'aptitude à un usage particulier, de sorte que la limitation ci-dessus peut ne pas être applicable dans votre cas. Cette garantie vous confère des droits juridiques spécifiques et vous pouvez également jouir d'autres droits qui peuvent varier d'une juridiction à l'autre.

LIMITATION DES RECOURS; EXCLUSION DES DOMMAGES FORTUITS OU INDIRECTS

LE SEUL ET EXCLUSIF RECOURS DU CLIENT DANS LE CADRE DE LA PRÉSENTE GARANTIE LIMITÉE CONSISTE EN LA RÉPARATION OU LE REMPLACEMENT DU PRODUIT TEL QUE PRÉVU PAR LA PRÉSENTE, ET CE À NOTRE DISCRÉTION. WHIRLPOOL N'ASSUME AUCUNE RESPONSABILITÉ CONCERNANT LES DOMMAGES FORTUITS OU INDIRECTS. Certains États et provinces ne permettent pas l'exclusion ou la limitation des dommages fortuits ou indirects de sorte que ces limitations peuvent ne pas être applicables dans votre cas. Cette garantie vous confère des droits juridiques spécifiques et vous pouvez également jouir d'autres droits qui peuvent varier d'une juridiction à l'autre.

A l'extérieur du Canada et des 50 États des États-Unis, cette garantie ne s'applique pas. Contacter votre marchand Whirlpool autorisé pour déterminer si une autre garantie s'applique. Pour un dépannage aux États-Unis, composer le **1-800-422-1230**. Au Canada, composer le **1-800-807-6777**. 12/11

Conservez ensemble ce manuel et votre reçu de vente pour référence ultérieure. Pour un entretien ou une réparation sous garantie, vous devez présenter un document attestant de la date d'achat ou d'installation.

Inscrivez les renseignements suivants relatifs à votre accessoire de cuisson afin de faciliter l'obtention d'un dépannage ou d'aide en cas de besoin. Vous devrez connaître le numéro de modèle au complet.

Numéro de modèle _____

Numéro de série _____

Date d'achat _____

W10463244A

© 2012.
All rights reserved.
Todos los derechos reservados.
Tous droits réservés.

1/12
Printed in Mexico
Impreso en México
Imprimé au Mexique

Free Manuals Download Website

<http://myh66.com>

<http://usermanuals.us>

<http://www.somanuals.com>

<http://www.4manuals.cc>

<http://www.manual-lib.com>

<http://www.404manual.com>

<http://www.luxmanual.com>

<http://aubethermostatmanual.com>

Golf course search by state

<http://golfingnear.com>

Email search by domain

<http://emailbydomain.com>

Auto manuals search

<http://auto.somanuals.com>

TV manuals search

<http://tv.somanuals.com>