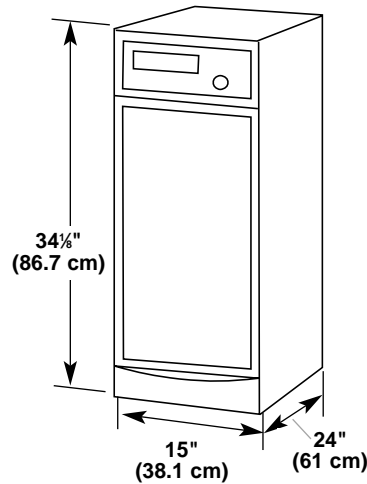


PRODUCT MODEL NUMBERS

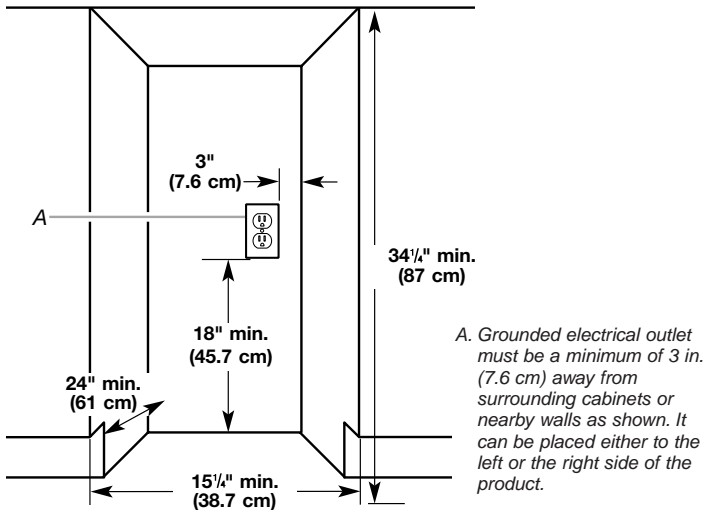
GC900QPK	TC800SPK
GC900QPL	TU800SPK
GC900QPP	TU800SPP
GX900QPL	
GX900QPP	

Electrical: 115-volt, 60-Hz, AC-only, 15- or 20-amp. grounded circuit is required. A time-delay fuse or circuit breaker and separate circuit is recommended.

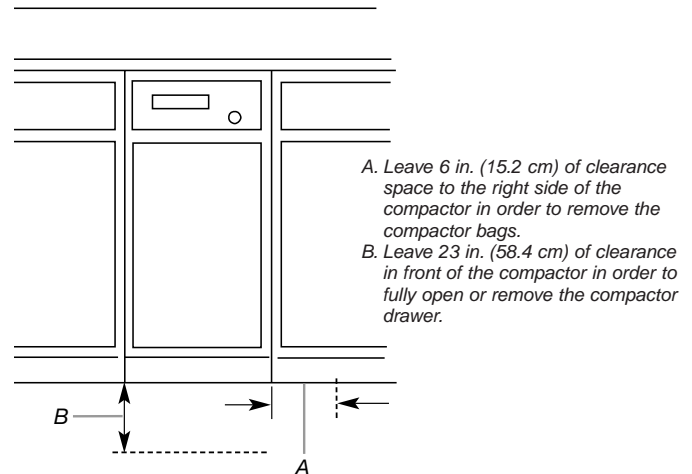
OVERALL DIMENSIONS



CABINET OPENING DIMENSIONS



CLEARANCE DIMENSIONS

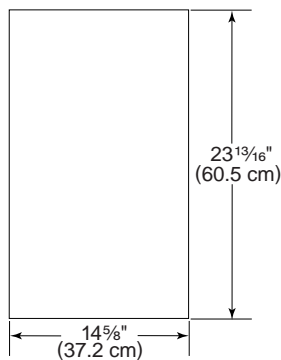


CUSTOM PANELS

With Trim Kit

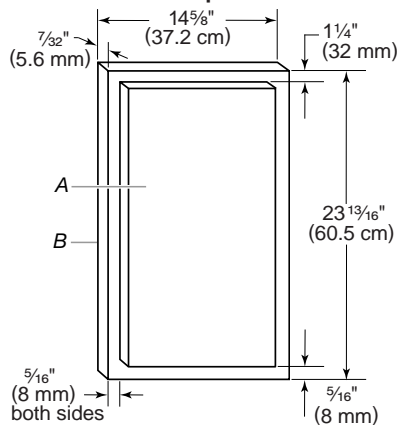
Without Trim Kit

Flat panel



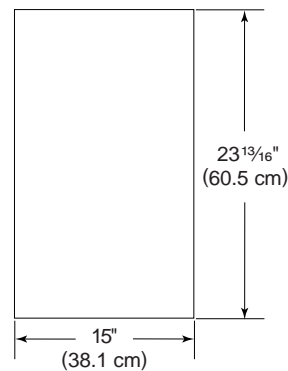
A 7/32 in. (5.6 mm) thick panel is required. This is the same thickness as a standard 1/4 in. plywood or paneling.

Raised panel



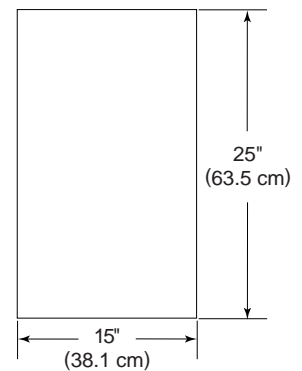
A. Raised panel or decorative trim
B. Outer section of panel
The outer section of panel must be 7/32 in. (5.6 mm) thick to fit into trim. Design raised panel sections using dimensions shown above.

Models with handles



Panel should be 1/2 to 5/8 in. (13 to 16 mm) thick. NOTE: A thicker panel may need rounded front corners and a cutout for access to the handle.

Models without handles



Panel should be 1/2 in. (13 mm) min. thickness

Free Manuals Download Website

<http://myh66.com>

<http://usermanuals.us>

<http://www.somanuals.com>

<http://www.4manuals.cc>

<http://www.manual-lib.com>

<http://www.404manual.com>

<http://www.luxmanual.com>

<http://aubethermostatmanual.com>

Golf course search by state

<http://golfingnear.com>

Email search by domain

<http://emailbydomain.com>

Auto manuals search

<http://auto.somanuals.com>

TV manuals search

<http://tv.somanuals.com>