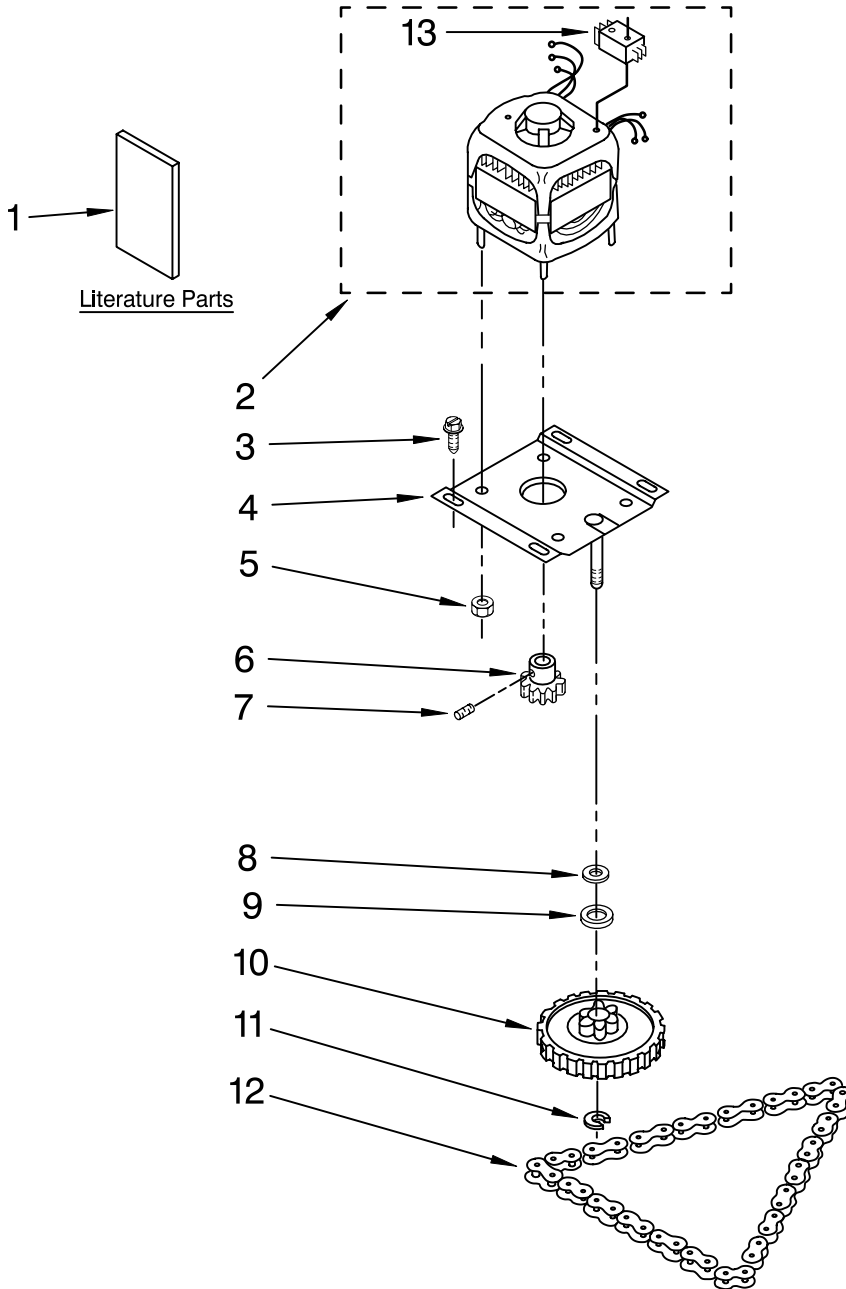




MOTOR AND DRIVE PARTS

For Models: GX900QPPB2, GX900QPPQ2, GX900QPPT2, GX900QPPS2
 (Black) (White) (Biscuit) (Stainless Steel)

TRASH
 COMPACTOR



Illus. No.	Part No.	DESCRIPTION
1	9872208	Literature Parts Use & Care Guide
	9871765	Sheet, Tech
	8052029	Label, 1-800 Number

Following May Be Purchased

DO-IT-YOURSELF REPAIR MANUALS

	677821	Do-It-Yourself Manual
2	9870343	Motor, Drive (Includes Item 13)
3	9871067	Screw,
4	776327	Plate, Motor
5	776338	Locknut, 10-32 (4)
6	4149667	Gear, Drive
7	454512	Pin, Slotted Spring
8	776035	Washer, Wave
9	297462	Washer, Thrust
10	777124	Gear, Driven
11	776036	Clip, Ring
12	780477	Chain, Drive
13	777971	Switch, Motor

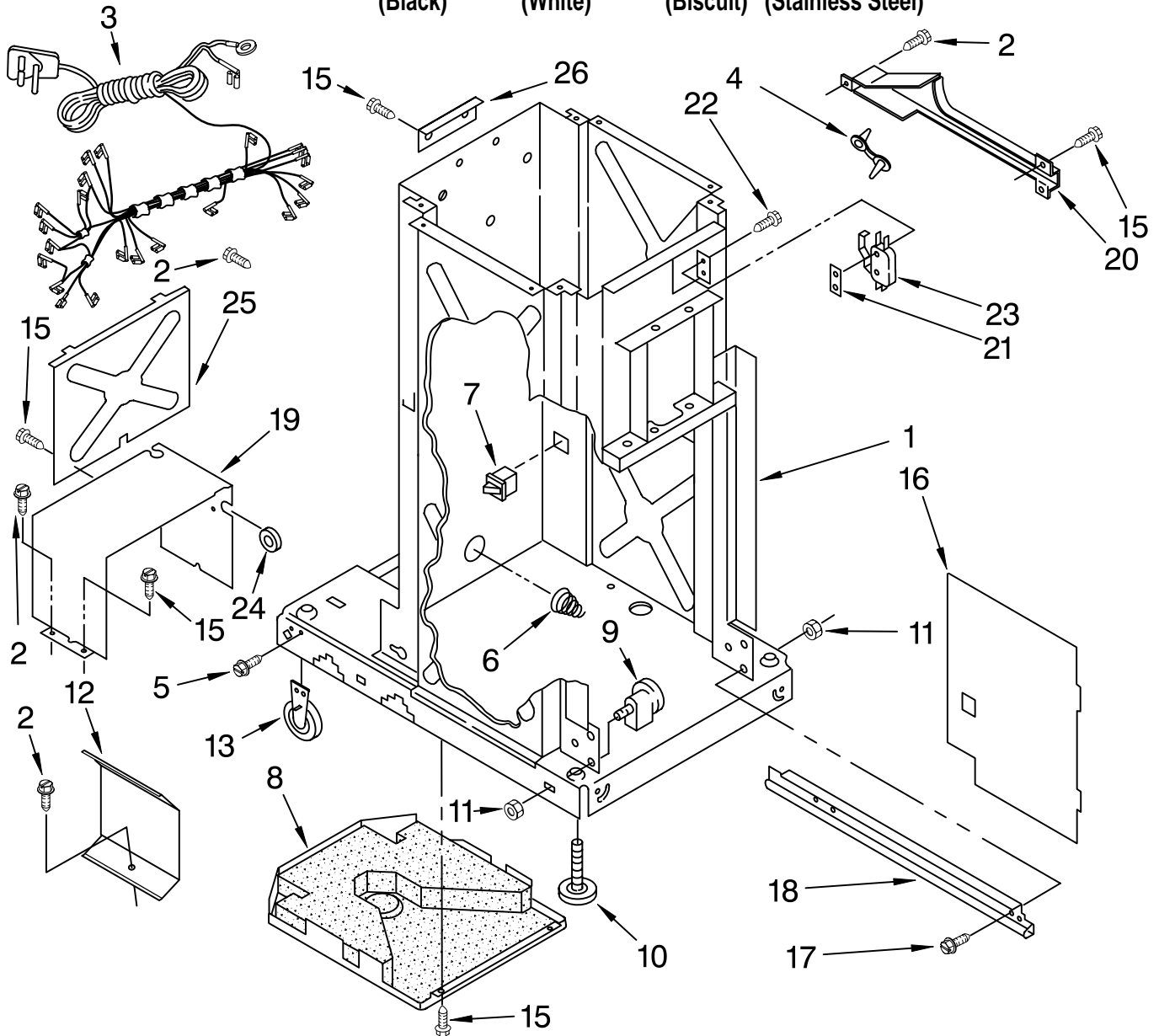
Parts Not Illustrated and Optional Parts (Not Included)

9870118	Undercounter Conversion Kit
---------	-----------------------------

FOR ORDERING INFORMATION REFER TO PARTS PRICE LIST

FRAME PARTS

For Models: GX900QPPB2, GX900QPPQ2, GX900QPPT2, GX900QPPS2
(Black) (White) (Biscuit) (Stainless Steel)



Illus. No.	Part No.	DESCRIPTION
1		Frame (Not A Serviceable Part)
2	4152204	Screw, 8-18 x 5/16
3	9872115	Cord, Power
4	777035	Clamp, Wire
5	780034	Screw, 10-24 x 3/8
6	777180	Spring, Container
7	4149377	Switch, Drawer Safety
8	9870167	Pan, Bottom
9	4153788	Bearing, Roller (2)

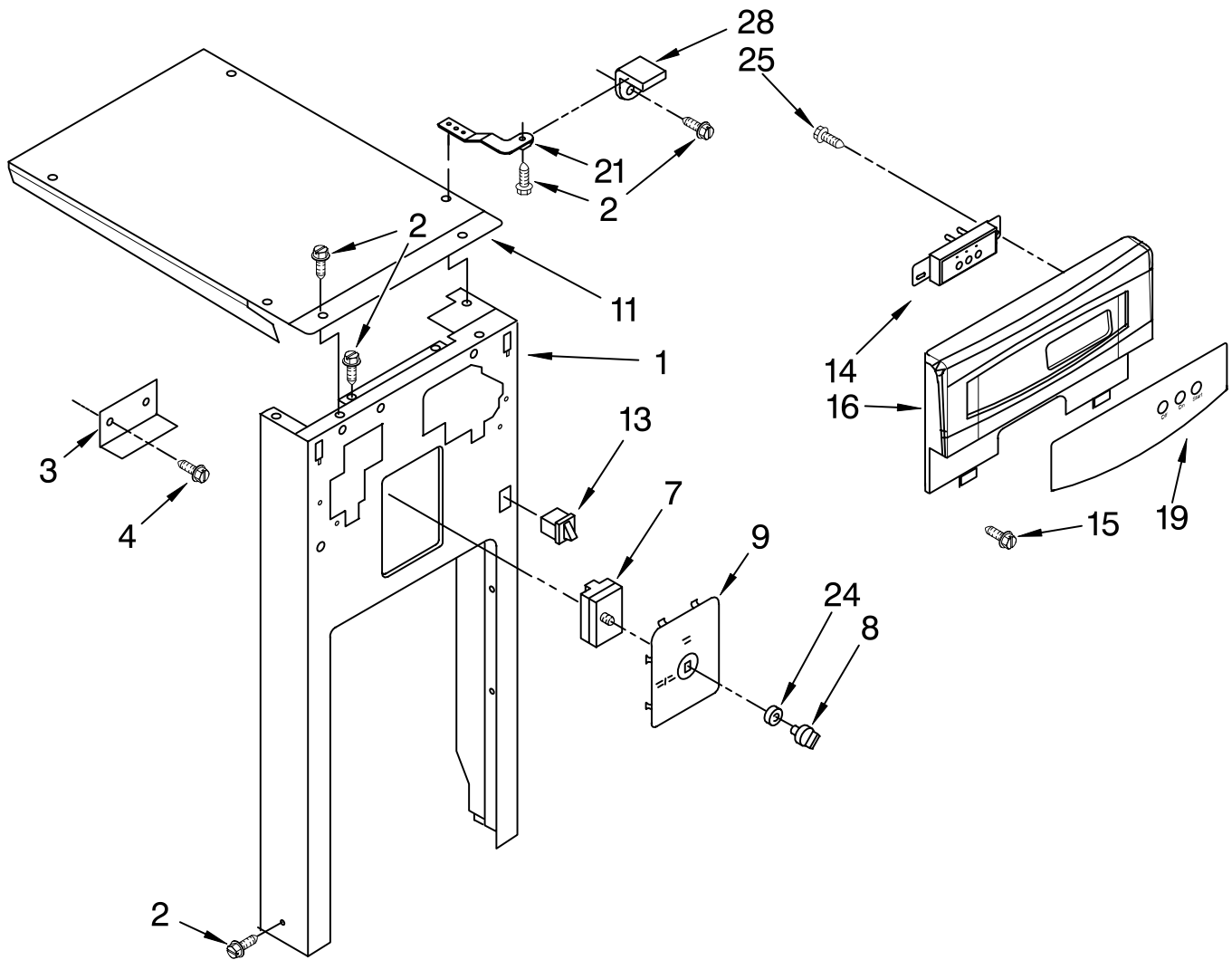
Illus. No.	Part No.	DESCRIPTION
10	775526	Bolt, Leveler
11	776356	Locknut, 3/8-24
12	9870867	Shield, Slide Track(2)
13	9870585	Wheel, Leveler (2)
15	489478	Screw, 8-18 x 1/2
16	9870444	Panel, Inner
17	777458	Screw, 6-32 x 3/8
18	9870976	Frame, Slide (R.H.)
	9870975	Frame, Slide (L.H.)

Illus. No.	Part No.	DESCRIPTION
19	780434	Cover, Motor
20	4149659	Shield, Harness
21	777850	Nut, Plate
22	777849	Screw, 6-20 x 1
23	777811	Switch, Top Limit & Directional
24	776118	Grommet, Motor Cover
25	608009	Plate, Cover
26	775668	Angle, Frame Plate

FOR ORDERING INFORMATION REFER TO PARTS PRICE LIST

PANEL AND CONTROL PARTS

For Models: GX900QPPB2, GX900QPPQ2, GX900QPPT2, GX900QPPS2
(Black) (White) (Biscuit) (Stainless Steel)



FOR ORDERING INFORMATION REFER TO PARTS PRICE LIST

PANEL AND CONTROL PARTS

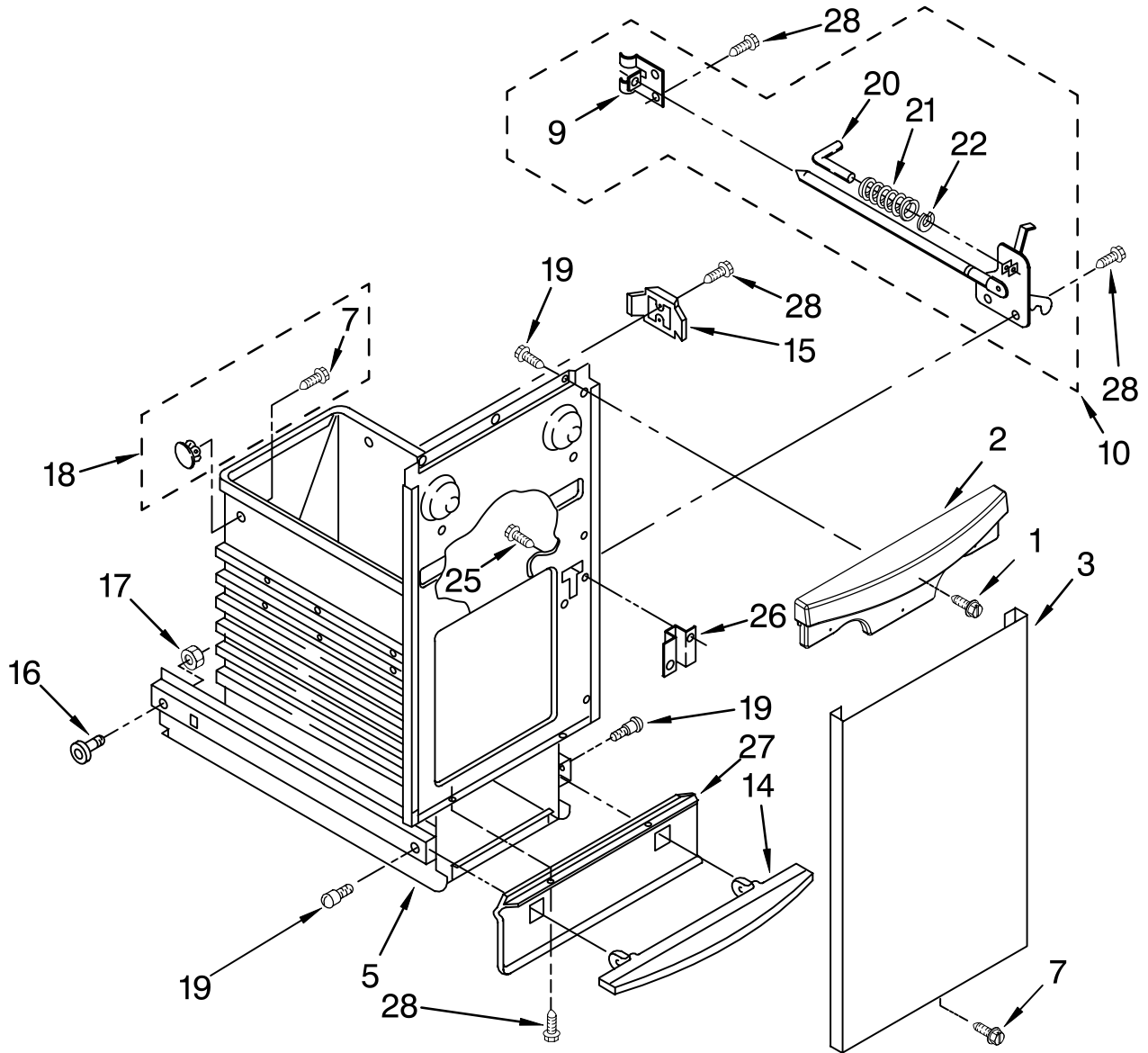
For Models: GX900QPPB2, GX900QPPQ2, GX900QPPT2, GX900QPPS2
 (Black) (White) (Biscuit) (Stainless Steel)

Illus. No.	Part No.	DESCRIPTION
1		Panel, Front
	9871073	White
	9871575	Biscuit
	9871072	Black
2	489478	Screw, 8-18 x 1/2
3	9870125	Bracket, Protector
4	777070	Screw 8-32 X 5/16
7	777380	Switch, Rotary
8	4155141	Knob, Switch
9		Plate, Switch
	9870356	White
	9871642	Biscuit
	9871161	Black
11	9871825	Cover, Top (Recessed)
13		Switch, Drawer Tilt
	4152058	White
	9871829	Black
14	9871824	Assembly, Switch
15	246131	Screw, 6-20 x 3/8
16		Escutcheon, Control
	9872039W	White
	9872039T	Biscuit
	9872039B	Black
19		Insert, Console
	9872017W	White
	9872017T	Biscuit
	9872017B	Black
21	9871993	Bracket, Retainer
24	777383	Nut, Rotary Switch
25	3400888	Screw
28	780239	Bracket, Mounting (2) (Alternate)

FOR ORDERING INFORMATION REFER TO PARTS PRICE LIST

CONTAINER PARTS

For Models: GX900QPPB2, GX900QPPQ2, GX900QPPT2, GX900QPPS2
(Black) (White) (Biscuit) (Stainless Steel)



FOR ORDERING INFORMATION REFER TO PARTS PRICE LIST

CONTAINER PARTS

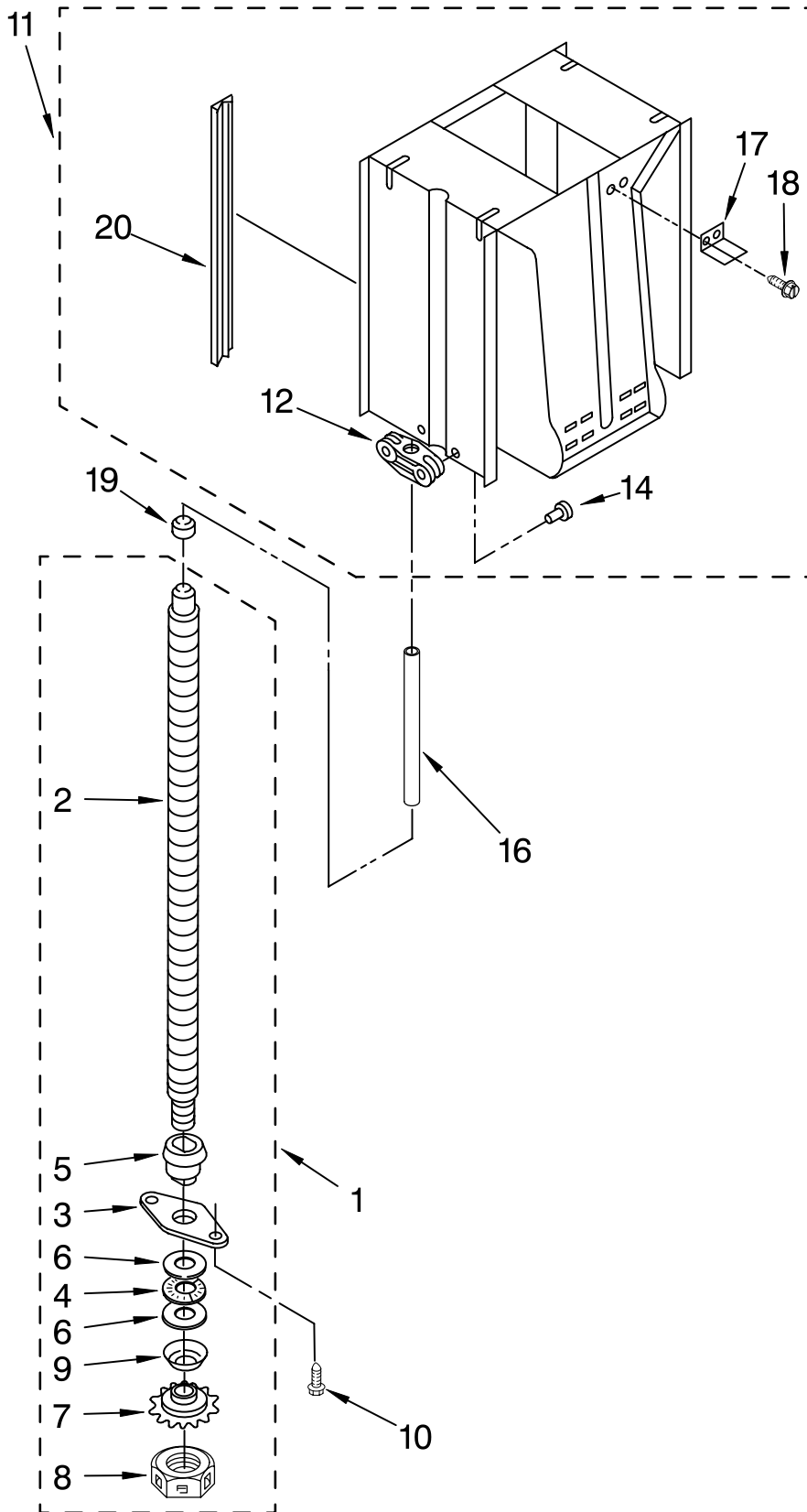
For Models: GX900QPPB2, GX900QPPQ2, GX900QPPT2, GX900QPPS2
 (Black) (White) (Biscuit) (Stainless Steel)

Illus. No.	Part No.	DESCRIPTION
1	3400888	Screw 8-18 X 1/2
2		Handle, Container
	9872040W	White
	9872040T	Biscuit
	9872040B	Black
3		Panel, Container Front
	9871309	White
	9871574	Biscuit
	9871311	Black
	9871770	Stainless
5	884573	Container Assembly
7	3196175	Screw 8-18 X 1/2
9	776395	Guide, Rear Latch
10	9870066	Latch Assembly
14		Pedal, Foot
	9871031	White
	9871577	Biscuit
	4149672	Black
15	9871125	Actuator, Safety Switch
16	9871602	Bearing Roller Container (2)
17	776356	Locknut, 3/8-24 (2)
18	4147703	Retainer, Bag (Contains 4 Each)
19	780263	Screw, Shoulder 8-16 x 7/16 (2)
20	776654	Pin
21	775736	Spring
22	775735	"E" Ring
25	4152204	Screw 8-18 X 5/16
26	775665	Plate, Latch
27		Guard, Toeplate
	9871030	White
	9871578	Biscuit
	777328	Black
28	489478	Screw 8-18 X 1/2

FOR ORDERING INFORMATION REFER TO PARTS PRICE LIST

POWERSCREW AND RAM PARTS

For Models: GX900QPPB2, GX900QPPQ2, GX900QPPT2, GX900QPPS2
 (Black) (White) (Biscuit) (Stainless Steel)

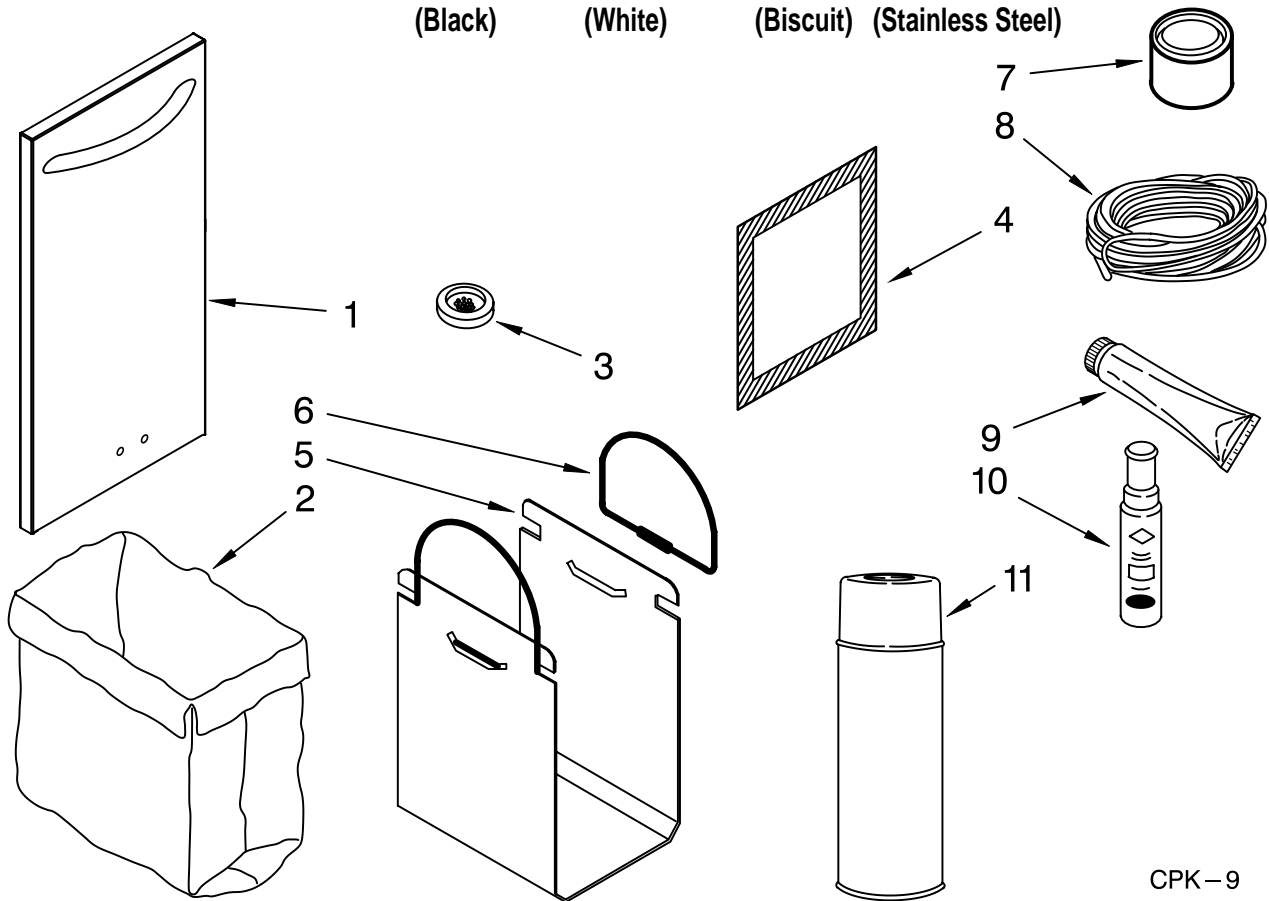


Illus. No.	Part No.	DESCRIPTION
1	9870500	Screw, Power Complete Assembly (2)
2		Screw, Power (Available Only As Complete Assembly)
3	779121	Plate, Bearing (2)
4	775482	Bearing, Needle (2)
5	776941	Hub, Power Screw (2)
6	775481	Race, Thrust (4)
7	777385	Sprocket, Washer (2)
8	4154842	Nut, Power Screw (2)
9	777332	Washer, Cone (2)
10	9871067	Screw,
11	9871251	Ram Assembly
12	9870163	Nut, Power
14	9870187	Stud
16	9870037	Stop, Ram Powerscrew (2)
17	9870498	Bracket, Top Limit Switch
18	489399	Screw, (2) 8-32 x 5/16
19	9870775	Cap, Stop
20	9870169	Slide, Ram (4)

FOR ORDERING INFORMATION REFER TO PARTS PRICE LIST

ACCESSORY PARTS

For Models: GX900QPPB2, GX900QPPQ2, GX900QPPT2, GX900QPPS2
(Black) (White) (Biscuit) (Stainless Steel)



CPK-9

Illus. No.	Part No.	DESCRIPTION
The Accessory Parts Listed Below May or May Not Be Included With Your Compactor.		
1		Panel, Container Front/Handle
	4396297	White/White
	4396296	Black/Black
	4396298	Biscuit/Biscuit
	4396299	Cobalt Blue/SSt.
	4396300	Empire Red/SSt.
	9871805	Majestic Yellow w/SSt. Handle
2		Bag, Trash (15" Plastic)
	4318921	15 Pack
	4318922	60 Pack
	94318921	12 Boxes of 15 Pack (15" Paper)
	675186	12 Pack
	882652	48 Pack
3	777635	Deodorizer, Solid Stick-Ups (2-Pack)

Illus. No.	Part No.	DESCRIPTION
4		Deodorizer Block
	9872166LG	Lemongrove
	9872166GA	Green Apple
	9872166L	Lavender
5	13030	Carrier, Bag (Includes No. 6)
6	777108	Handle, Bag Carrier
7	675351	Grease, 4 Oz. (Use on Power Screw & Ram Pressure Pads)
8		Wire, 25' Roll
	10875	Blue 16 Ga.
	242820	Black 14 Ga.
	242825	Red 14 Ga.
	242826	White 14 Ga.
	47261	Black 12 Ga.
	299885	Red 12 Ga.
	47263	White 12 Ga.
9	279368	Adhesive, Insulation (2oz Tube)

Illus. No.	Part No.	DESCRIPTION
10		Paint, Touch-Up 1/2 Oz.
	72107	Almond
	72017	White
	72032	Black
	4892899	Biscuit
	8171571	Cobalt Blue
	8171651	Hunter Green
	8171652	Empire Red
	8171653	Majestic Yellow
11		Paint, Spray 13 Oz.
	350956	Almond
	285006	Black
	4392901	Biscuit
	350930	White
OPTIONAL PARTS NOT ILLUSTRATED		
		Framed Trim Kits
	9871382	White
	9871383	Black
	9871600	Biscuit

FOR ORDERING INFORMATION REFER TO PARTS PRICE LIST

Free Manuals Download Website

<http://myh66.com>

<http://usermanuals.us>

<http://www.somanuals.com>

<http://www.4manuals.cc>

<http://www.manual-lib.com>

<http://www.404manual.com>

<http://www.luxmanual.com>

<http://aubethermostatmanual.com>

Golf course search by state

<http://golfingnear.com>

Email search by domain

<http://emailbydomain.com>

Auto manuals search

<http://auto.somanuals.com>

TV manuals search

<http://tv.somanuals.com>