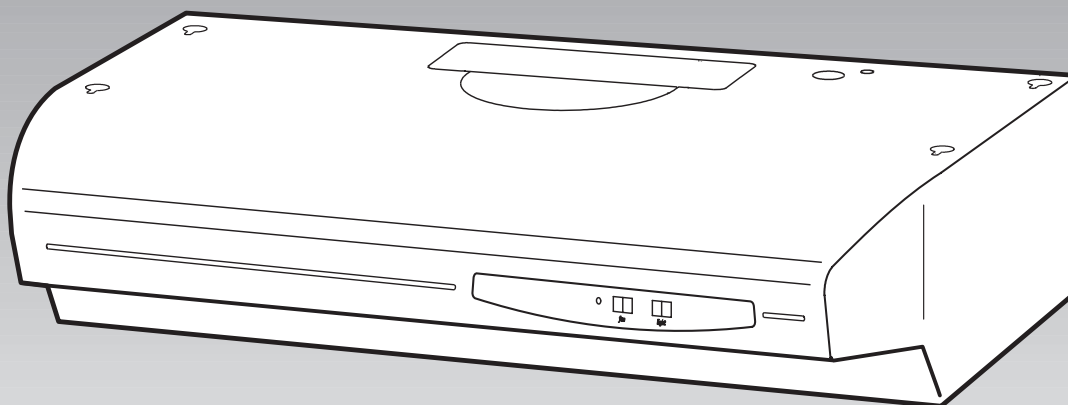


Installation Instructions and Use and Care Guide

30" (76.2 cm) and 36" (91.4 cm) Convertible Range Hood



GZ5730 Series
GZ5736 Series

Manufactured under one or more of
the following United States patents:
US D450, 829 S

www.whirlpool.com

IMPORTANT:
**Read and save
these instructions.**

IMPORTANT:

Installer: Leave Installation Instructions with the homeowner.

Homeowner: Keep Installation Instructions for future reference.

Save Installation Instructions for local electrical inspector's use.

Quick Reference

Table of Contents:

Pages

2	Before you start
2	Electrical requirements
3	Product dimensions
3	Venting requirements
4 - 7	Installation steps
7 - 8	Use and Care Information
8	Warranty
9 - 10	Requesting Assistance or Service

Part No. 626890B/8284957 Rev. A
Pièce N° 626890B/8284957 Rev. A

Before you start...

Your safety and the safety of others is very important.

We have provided many important safety messages in this manual and on your appliance. Always read and obey all safety messages.



This is the safety alert symbol. This symbol alerts you to potential hazards that can kill or hurt you and others. All safety messages will follow the safety alert symbol and either the word "DANGER" or "WARNING". These words mean:

DANGER

You can be killed or seriously injured if you don't **immediately** follow instructions.

WARNING

You can be killed or seriously injured if you don't follow instructions.

All safety messages will tell you what the potential hazard is, tell you how to reduce the chance of injury, and tell you what can happen if the instructions are not followed.

Important: Observe all governing codes and ordinances.

Proper installation is your responsibility. Make sure you have everything necessary for correct installation. It is the responsibility of the installer to comply with the clearances specified.

Check the location where the range hood will be installed. The location should be away from strong draft areas, such as windows, doors, and strong heating vents.

Mobile home installation

The installation of this range hood must conform to the Manufactured Home Construction Safety Standards, Title 24 CFR, Part 328 (formerly the Federal Standard for Mobile Home Construction and Safety, Title 24, HUD, Part 280) or when such standard is not applicable, the Standard for Manufactured Home Installation 1982 (Manufactured Home Sites, Communities and Setups) ANSI A225.1/NFPA 501A*, or latest edition, or with local codes.

WARNING — TO REDUCE THE RISK OF FIRE, ELECTRIC SHOCK, OR INJURY TO PERSONS, OBSERVE THE FOLLOWING:

Installation work and electrical wiring must be done by qualified person(s) in accordance with all applicable Codes and Standards, including Fire Rated Construction. Sufficient air is needed for proper combustion and exhausting of gases through the flue (chimney) of fuel burning equipment to prevent back drafting. Follow the heating equipment manufacturer's guideline and safety standards such as those published by the National Fire Protection Association (NFPA), and the American Society of Heating Refrigeration and Air Conditioning Engineers (ASHRAE), and the local code authorities.

When cutting or drilling into wall or ceiling, do not damage electrical wiring and other hidden utilities.

Ducted fans must always be vented to the outdoors.

WARNING — To reduce the risk of fire, use only metal ductwork.

This unit must be grounded.

This hood is factory set for vented installations. For non-vented installations, purchase 30" (76.2 cm) Filter Kit No. 4396291 or 36" (91.4 cm) Filter Kit No. 4396292 from your dealer.

Tools and materials needed for installation:

- compass or 8" (20.3 cm) circle template
- flat blade screwdriver
- Phillips screwdriver
- pliers
- metal snips
- drill
- 1-1/4" (3.0 cm) drill bit
- pencil
- ruler
- keyhole saw
- saber saw
- duct tape
- 7" (17.8 cm) round damper if using 7" (17.8 cm) round vent system

Electrical requirements

Important: Observe all governing codes and ordinances.

It is the customer's responsibility:

- To contact a qualified electrical installer.
- To assure that the electrical installation is adequate and in conformance with National Electrical Code, ANSI/NFPA 70 — latest edition*, or CSA Standards C22.1-94, Canadian Electrical Code, Part 1 and C22.2 No.0-M91 - latest edition** and all local codes and ordinances.

A separate ground wire must be used. It is recommended that a qualified electrician determine that the ground path is adequate.

A 120-volt, 60-Hz, AC-only, fused electrical system is required. A separate 15-amp circuit is recommended.

Do not ground to a gas pipe.

Check with a qualified electrician if you are not sure range hood is properly grounded.

Do not have a fuse in the neutral or ground circuit.

IMPORTANT:

Save Installation Instructions for electrical inspector's use.

The range hood must be connected with copper wire only.

The range hood should be connected directly to the fused disconnect (or circuit breaker) box through flexible armored or nonmetallic sheathed copper cable. A U.L.- or C.S.A.-listed strain relief must be provided at each end of the power supply cable. Wire sizes (COPPER WIRE ONLY) and connections must conform with the rating of the appliance as specified on the model/serial rating plate.

Wire sizes must conform to the requirements of the National Electrical Code ANSI/NFPA 70 — latest edition*, or CSA Standards C22.1-94, Canadian Electrical Code Part 1 and C22.2 No. 0-M91 - latest edition** and all local codes and ordinances.

A U.L.- or C.S.A.-listed conduit connector must be provided at each end of the power supply cable (at the range hood and at the junction box).

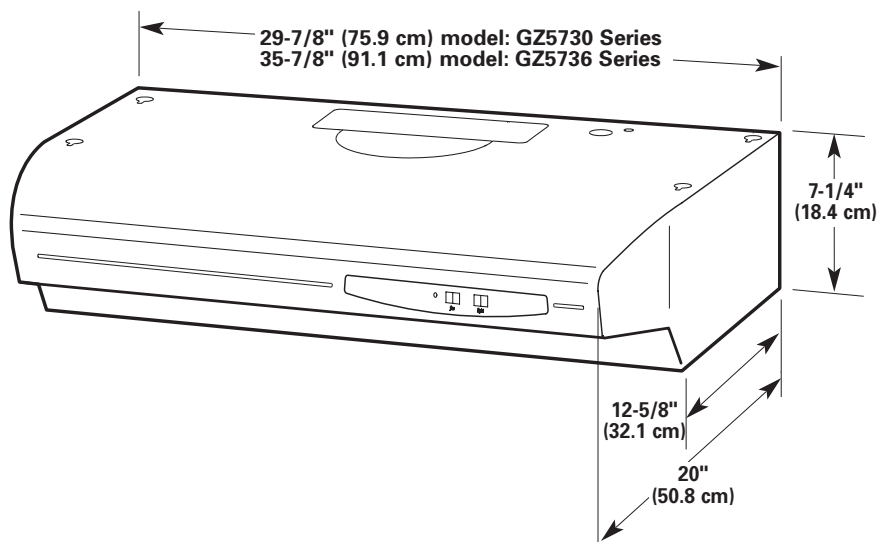
In U.S. only: For power cord connected installations, a U.L.-listed range hood cord-connection kit **MUST** be used. Cord kit has not been evaluated for use in Canada.

Copies of the standards listed may be obtained from:

* National Fire Protection Association
One Batterymarch Park
Quincy, Massachusetts 02269

** CSA International
8501 East Pleasant Valley Road
Cleveland, Ohio 44131-5575

Product dimensions



Venting requirements

Venting system must terminate to the outside.

Do not terminate the vent in an attic or other enclosed space.

Do not use four-inch (10.2 cm) laundry-type wall caps.

Do not use plastic vent.

Vent system needed for installation is not included.

Determine which outside venting method needs to be used. It is recommended that the vent system be installed before installing the hood.

NOTE: If a non-vented (recirculating) installation is desired, follow instructions on Page 5.

The length of the vent system and number of elbows should be kept to a minimum to provide efficient performance. The size of the vent system should be uniform. Do Not install two elbows together. Use duct tape to seal all joints in the vent system. Vent system can terminate either through the roof or wall. Use caulking to seal exterior wall or roof opening around exhaust hood. For the most efficient and quiet operation, it is recommended that the range be vented vertically through the roof through 7" (17.8 cm) round vent system.

Figures 1 and 2 show common venting methods and what types of materials are needed.

Vertical roof venting

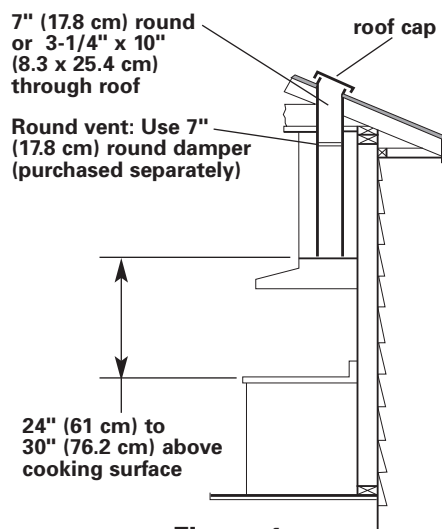


Figure 1

Recommended vent length

Use 3-1/4" x 10" (8.3 x 25.4 cm) or 7" (17.8 cm) round vent with a maximum length of 65 feet (19.8 m) for vent system. For best performance, use no more than three 90° elbows. To calculate the length of system you need, add the equivalent feet for each vent piece used in the system. See the examples on the next page.

Horizontal wall venting

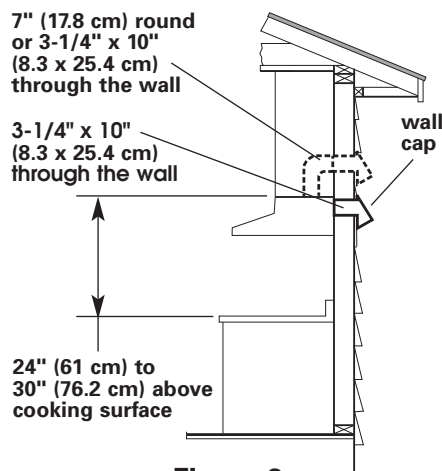
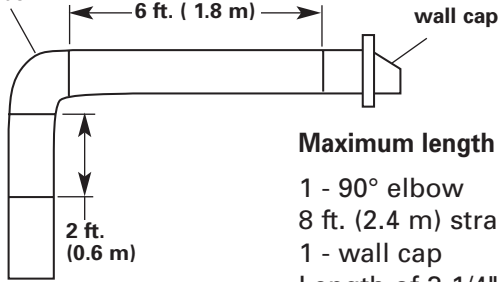


Figure 2


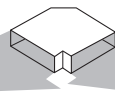
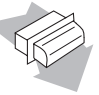
3-1/4" x 10" (8.3 x 25.4 cm) vent system

3-1/4" x 10"
(8.3 x 25.4 cm)
elbow

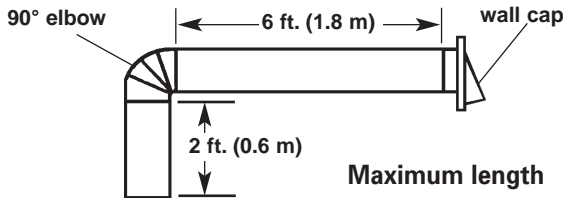


Maximum length	=	65 ft. (19.8 m)
1 - 90° elbow	=	5 ft. (1.5 m)
8 ft. (2.4 m) straight	=	8 ft. (2.4 m)
1 - wall cap	=	0 ft. (0 m)
Length of 3-1/4" x 10" (8.3 x 25.4 cm) system		= 13 ft. (4 m)

Recommended standard fittings




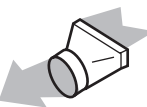
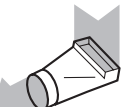
		
3-1/4" x 10" (8.3 x 25.4 cm) 90° elbow = 5 ft. (1.5 m)	3-1/4" x 10" (8.3 x 25.4 cm) flat elbow = 12 ft. (3.7 m)	3-1/4" x 10" (8.3 x 25.4 cm) wall cap = 0 ft. (0 m)

7" (17.8 cm) vent system



Maximum length	=	65 ft. (19.8 m)
1 - 90° elbows	=	5 ft. (1.5 m)
1 - wall cap	=	0 ft. (0 m)
8 ft. (2.4 m) straight	=	8 ft. (2.4 m)
Length of 7" (17.8 cm) system		= 13 ft. (4 m)

Recommended standard fittings

				
90° elbow = 5 ft. (1.5 m)	45° elbow = 2.5 ft. (0.8 m)	7" (17.8 cm) wall cap = 0 ft. (0 m)	3-1/4" x 10" (8.3 x 25.4 cm) to 7" (17.8 cm) = 4.5 ft. (1.4 m)	3-1/4" x 10" (8.3 x 25.4 cm) to 7" (17.8 cm) 90° elbow = 5 ft. (1.5 m)

Now start...
With range hood in kitchen.

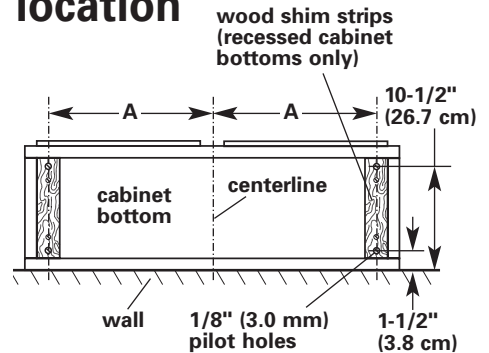
Slide cardboard or hardboard under range before moving range across floor to prevent damaging floor covering.

Cover countertop, cooktop or set-in range with a thick, protective covering to prevent damaging them.

1. Disconnect and move freestanding range from cabinet opening to provide easier access to upper cabinet and rear wall. Put a thick, protective covering over cooktop, set-in range or countertop to protect from damage or dirt.

2. Determine which venting method (roof or wall venting or non-venting) you need to use. This range hood is shipped for vented installation.

Prepare hood location



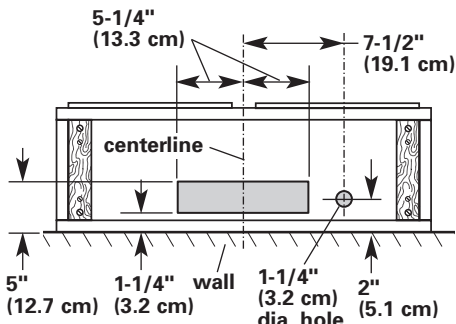
hood size	A
30" (76.2 cm)	13-15/16" (35.4 cm)
36" (91.4 cm)	16-15/16" (43.0 cm)

3. Drill four 1/8" (3.0 mm) pilot holes for hood mounting screws. If cabinet has recessed bottom, add wood shim strips on each side.

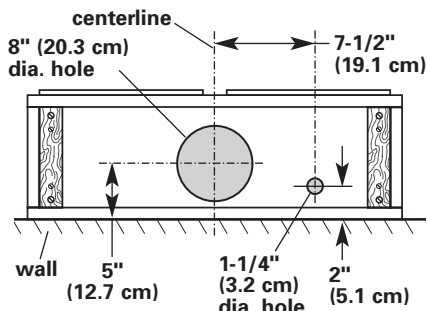
4. From the diagrams below, select the diagram for your installation.

Vented installations: Cut the vent system and electrical wiring access holes as required.

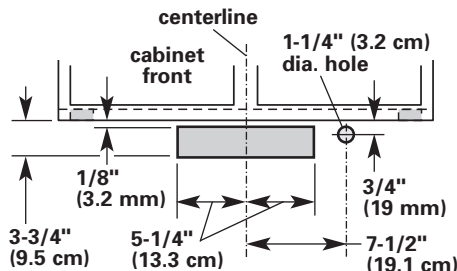
Non-vented installations: Cut only the one 1-1/4" (3.2 cm) dia. wiring access hole required. If wiring through the top, use location shown in VERTICAL shown in VERTICAL vent systems. If wiring through the back, use location shown in HORIZONTAL vent system.



**3-1/4" x 10" (8.3 x 25.4 cm)
RECTANGULAR VERTICAL
vent system**



**7" (17.8 cm)
ROUND VERTICAL
vent system**

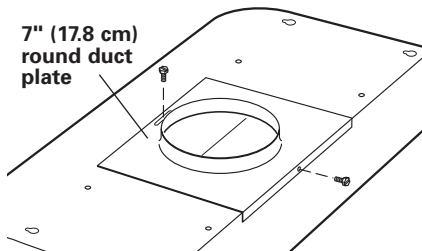


**3-1/4" x 10" (8.3 x 25.4 cm)
HORIZONTAL
vent system**

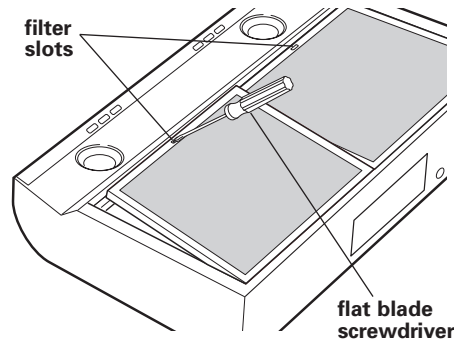
Prepare the hood

⚠ WARNING

Excessive Weight Hazard
Use two or more people to move and install range hood.
Failure to do so can result in back or other injury.

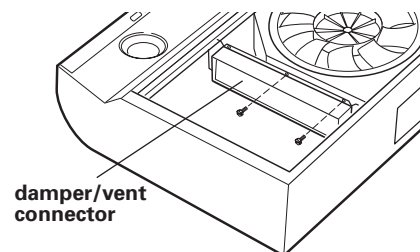


5. Set the hood on a protective covering such as cardboard or a large towel. Remove the 7" (17.8 cm) round duct plate from top of hood. Set duct plate and mounting screws aside.

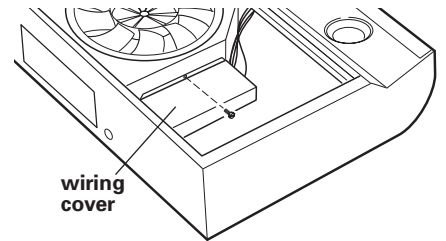


6. Remove tape holding standard filters in place. Remove both filters. Insert flat blade screwdriver into slots in filters. Push each filter toward back of hood, lift out and set aside.

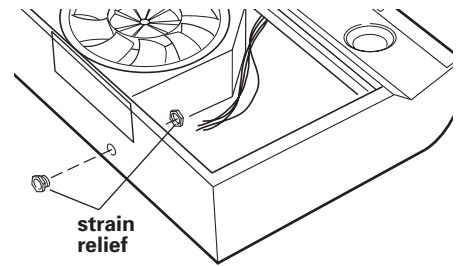
For non-vented installations: With the special blue and yellow strips facing towards the cooking surface, attach the charcoal filters to the aluminum filters.



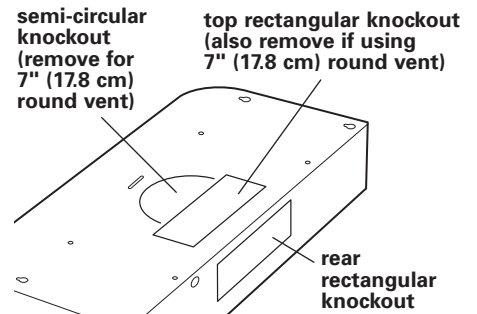
7. Remove damper/vent connector from inside the hood. Set connector, mounting screws and parts bag aside.



8. Remove wiring cover from inside the hood. Set cover and mounting screw aside.



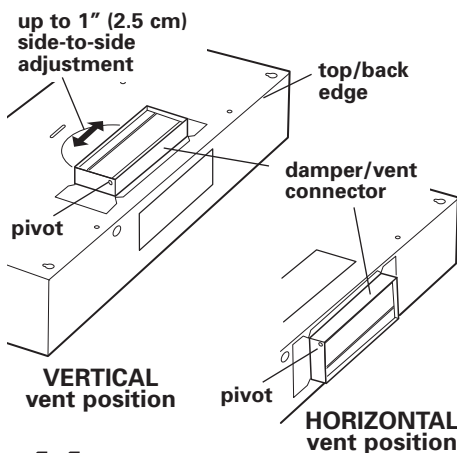
9. Depending on your installation, remove either top or back wiring knockout and install a U.L.- or CSA-listed strain relief.



10. For vented installations, remove either top or rear rectangular knockout. If using 7" (17.8 cm) round vent, remove both top rectangular knockout and the semi-circular knockout.

For vented installations, go to Step 11.

For non-vented installations, go to "Make electrical connection".



11. Rectangular vent only:

Attach damper/vent connector over knockout opening. Make sure damper pivot is nearest to top/back edge of hood. Remove tape from damper flap.

Note: For horizontal vent systems, it is recommended that the rectangular ventwork be attached to the damper/vent connector and sealed with duct tape **before** installing the hood.

12. Round vent only:

Re-install round vent plate removed in Step 5 under "Prepare the hood" section. Install a 7" (17.8 cm) round damper (must be purchased separately). Damper flap must open freely in direction of air flow (away from range hood).

Note: Damper/vent connector and round vent plate can be installed up to 1" (2.5 cm) on either side of hood center if ventwork is off-center. In extreme off-center installations, one end of the vent connector may need to be trimmed to clear the electrical strain relief.

Make electrical connection

⚠ WARNING



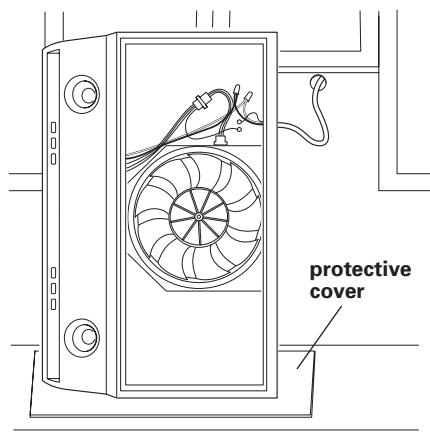
Electrical Shock Hazard

Disconnect power before making electrical connections.

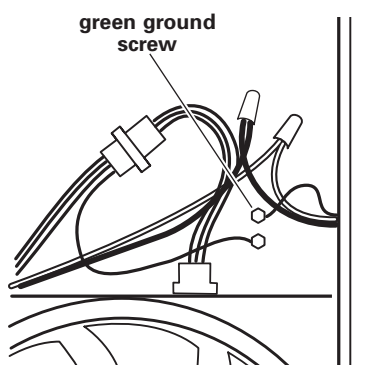
Connect ground wire to green ground screw in terminal box.

Failure to do so can result in death or electrical shock.

Do not turn on power until installation is complete. If not previously done, run wiring through wall or cabinets according to electrical codes and ordinances.



13. Stand hood up as shown. (Keep on protective cover to protect hood or cooking surface.)



14. Connect the white and black wires of the power supply cable to the white and black leads in the hood with twist-on connectors. Connect the power supply ground wire to the green screw under the wiring cover.

Securely tighten the strain relief.

Using a U.L.-listed power supply cord-connection kit (U.S. only):

Follow Power Cord Kit instructions for connecting wiring.

15. Replace wiring cover.

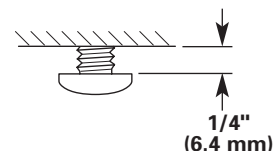
Install the hood

⚠ WARNING

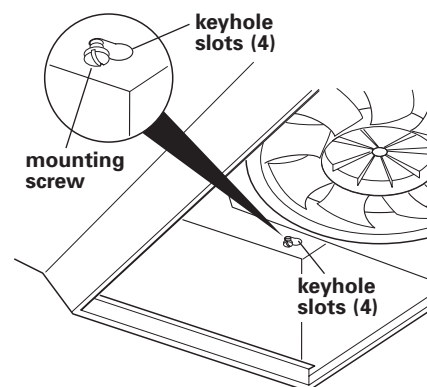
Excessive Weight Hazard

Use two or more people to move and install range hood.

Failure to do so can result in back or other injury.



16. Remove the 4 hood mounting screws from the parts bag and install in pilot holes. Leave screw heads away from shim strips about 1/4" (6.4 cm).

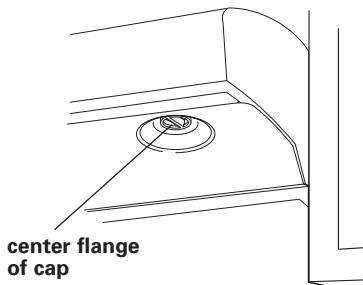


17. Lift range hood into final position, feeding electrical wire through wiring opening. To avoid damage, **DO NOT PUSH ON FAN BLADE.**

Position the range hood so that the large end of the keyhole slots are over the screws. Then push the hood toward the wall so that the screws are in the neck of the slots. Tighten mounting screws to cabinet, making sure mounting screws are in narrow neck of slots. Make sure that damper blade opens and closes freely.

18. Connect ventwork to hood. Seal joints with duct tape to make them secure and air tight.

Use and Care Information



19. Remove both light socket caps. Use pliers to grip the center flanges of each cap, twist while pulling down. Discard the caps. Install (2) PAR20, 50W maximum halogen bulbs or (2) R16, 40W maximum incandescent bulbs. **Bulbs must be purchased separately.**

20. Replace filters. Note: Filter slot must be toward front of hood. For non-vented recirculating installations, make sure you have installed the non-vented filters on the back sides of the aluminum mesh filters. (See Step 6.) Make sure fan blade turns freely.

21. Turn power supply on and check for proper operation.

To get the most efficient use from your new range hood, read the "Use and Care Information" section.

Keep your Whirlpool Installation Instructions and Use and Care Guide close to range hood for easy reference.

WARNING — To reduce the risk of fire or electrical shock, do not use this fan with any solid-state speed control device.

WARNING — TO REDUCE THE RISK OF FIRE, ELECTRIC SHOCK, OR INJURY TO PERSONS, OBSERVE THE FOLLOWING:

Use this unit only in the manner intended by the manufacturer. If you have questions, contact the manufacturer. Before servicing or cleaning unit, switch power off at service panel and lock switch power off at service panel and lock service panel to prevent power from being switched on accidentally. When the service disconnecting means cannot be locked, securely fasten a prominent warning device such as a tag to the service panel.

CAUTION: For general ventilating use only. Do not use to exhaust hazardous or explosive materials and vapors.

WARNING — TO REDUCE THE RISK OF A RANGE TOP GREASE FIRE:

Never leave surface units unattended at high settings. Boilovers cause smoking and greasy spillovers that may ignite. Heat oils slowly on low or medium settings.

Always turn hood ON when cooking at high heat or when cooking flaming foods.

Clean ventilating fans frequently. Grease should not be allowed to accumulate on fan or filter.

Use proper pan size. Always use cookware appropriate for the size of the surface element.

WARNING — TO REDUCE THE RISK OF INJURY TO PERSONS IN THE EVENT OF A RANGE TOP GREASE FIRE, OBSERVE THE FOLLOWING:

SMOTHER FLAMES with a close-fitting lid, cookie sheet, or metal tray, then turn off the burner. **BE CAREFUL TO PREVENT BURNS.** If the flames do not go out immediately, **EVACUATE AND CALL THE FIRE DEPARTMENT.**

NEVER PICK UP A FLAMING PAN — You may be burned.

DO NOT USE WATER, including wet dishcloths or towels — a violent steam explosion will result. Use an extinguisher **ONLY** if:

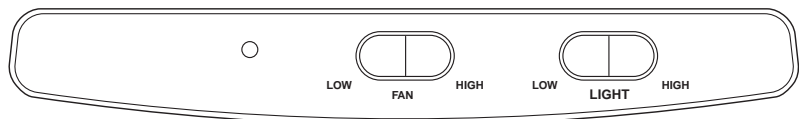
You know you have a Class ABC extinguisher, and you already know how to operate it.

The fire is small and contained in the area where it is started.

The fire department is being called.

You can fight the fire with your back to an exit.

Operation



Fan: The 3-position rocker switch (on the left) controls the fan. The left position is low speed, center position is off, and the right position is high speed. An indicator light shows that the fan is on.

Light: The 3-position rocker switch (on the right) controls the lights. The left position is low light intensity, center position is off, and the right position is high light intensity.

Replacing the Halogen bulbs:

Before you begin, make sure that the range hood is turned off and that the lamps have had sufficient time to cool. Halogen bulbs burn extremely hot. See bulb packaging for further information.

Replace with (2) PAR20, 50W maximum halogen bulbs or (2) R16, 40W maximum incandescent bulbs.

Cleaning

Aluminum mesh filters:

Clean often using hot water and a mild detergent. Filters are dishwasher safe.

Charcoal filters (non-vented installations):

Clean filter surfaces frequently with a damp cloth and mild detergent. DO NOT immerse filters in water or put in dishwasher.

Special blue and yellow strips will blend to green when it is time to change the filter. these strips work best when facing toward the cooking surface.

30" (76.2 cm) Filter Kit No. 4396291 or 36" (91.4 cm) Filter Kit No. 4396292 is available from your dealer.

To clean hood:

turn off power supply. remove filters. Use a damp cloth and a mild detergent to wipe all grease-

laden surfaces. Use care when cleaning fan blade - it must not become bent or misaligned. DO NOT ALLOW WATER TO ENTER MOTOR. Make sure all surfaces are completely dry before re-installing filters and turning on power.

Motor is permanently lubricated. Do not oil or disassemble motor.

Whirlpool Range Hood Warranty

LENGTH OF WARRANTY	WHIRLPOOL WILL PAY FOR
ONE-YEAR FULL WARRANTY From Date of Purchase	Labor and any parts of your range hood (except light bulbs and filters) which are defective in materials or workmanship.
WHIRLPOOL WILL NOT PAY FOR	
A. Any labor costs incidental to the replacement of defective parts. B. Consumable parts such as light bulbs and filters. C. Service calls to: 1. Correct the installation of the range hood. 2. Instruct you how to use the range hood. 3. Replace house fuses or correct house wiring. D. Repairs when range hood is used in other than normal, single-family household use. E. Pickup and delivery. This product is designed to be repaired in the home. F. Damage to range hood caused by accident, misuse, fire, flood, act of God or use of products not approved by Whirlpool.	

WHIRLPOOL AND INGLIS LIMITED DO NOT ASSUME ANY RESPONSIBILITY FOR INCIDENTAL OR CONSEQUENTIAL DAMAGES. Some states or provinces do not allow the exclusion or limitation of incidental or consequential damages, so this exclusion or limitation may not apply to you.

This warranty gives you specific legal rights, and you may also have other rights which may vary from state to state or province to province.

Outside the United States and Canada, a different warranty may apply. For details, please contact your authorized Whirlpool dealer.

Requesting Assistance or Service

If you need assistance or service in U.S.A.

Call the Whirlpool Customer Interaction Center toll-free at 1-800-253-1301.

Our consultants are available to assist you.

When calling: Please know the purchase date, and the complete model and serial number of your appliance. This information will help us better respond to your request.



Our consultants provide assistance with:

- Features and specifications on our full line of appliances
- Installation information

- Use and maintenance procedures
- Accessory and repair parts sales
- Specialized customer assistance (Spanish speaking, hearing impaired, limited vision, etc.)
- Referrals to local dealers, service companies, and repair parts distributors

Whirlpool-designated service technicians are trained to fulfill the product warranty and provide after-warranty service, anywhere in the United States.

To locate the designated service company in your area, you can also look in your telephone directory Yellow Pages.

If you need replacement parts

If you need to order replacement parts, we recommend that you only use factory-authorized parts. These parts will fit right and work right, because they are made to the same exacting specifications used to build every new Whirlpool appliance.

To locate factory-authorized parts in your area, call our Customer Interaction Center telephone number, your nearest authorized service center, or Whirlpool Factory Service at 1-800-442-1111.

For further assistance

If you need further assistance, you can write to ask any questions or tell us about your concerns at:

Customer Interaction Center
c/o Correspondence Dept.
2000 North M-63
Benton Harbor, MI 49022-2692

Please include a daytime phone number in your correspondence.

If you need assistance or service in Canada

1. If the problem is not due to one of the items listed in "Check Operation"†...



Contact the dealer from whom you purchased your appliance, or call the Inglis Limited Consumer Assistance Centre toll-free, 8:30 a.m. – 6 p.m. (EST), at 1-800-235-0665.

2. If you need service†...

Contact your nearest Inglis Limited Appliance Service branch or designated servicing outlet to service your appliance. (See list below.)

†When asking for assistance or service, please provide a detailed description of the problem, your appliance's complete model and serial numbers, and the purchase date. This information will help us respond properly to your request.

Direct service branches:

BRITISH COLUMBIA		1-800-665-6788
ALBERTA		1-800-661-6291
ONTARIO (except 807 area code)	Ottawa area	1-800-267-3456
	Outside the Ottawa area	1-800-807-6777
MANITOBA, SASKATCHEWAN and 807 area code in ONTARIO		1-800-665-1683
QUEBEC	Montreal (except South Shore)	1-800-361-3032
	South Shore Montreal	1-800-361-0950
	Quebec City	1-800-463-1523
	Sherbrooke	1-800-567-6966
ATLANTIC PROVINCES		1-800-565-1598

For further assistance

If you need further assistance, you can write to Inglis Limited with any questions or concerns at:

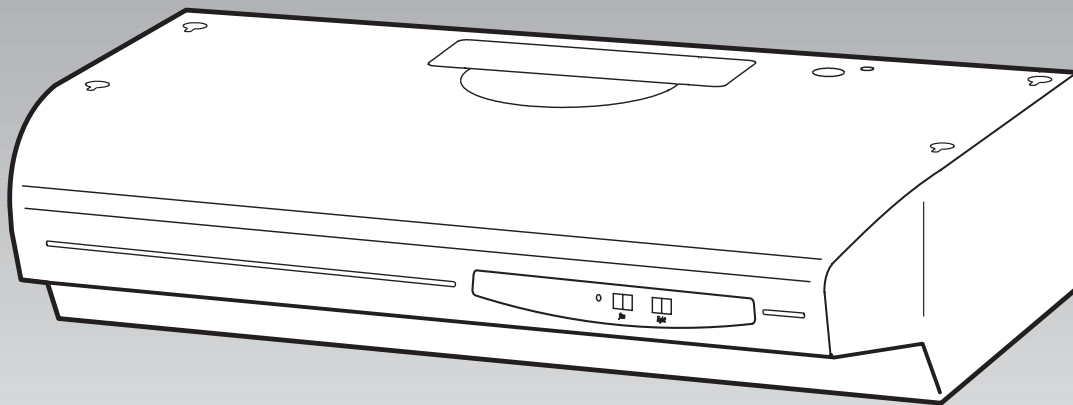
Consumer Relations Department
Inglis Limited
1901 Minnesota Court
Mississauga, Ontario L5N 3A7

Please include a daytime phone number in your correspondence.

www.inglislimited.com

Instructions d'installation & Guide d'utilisation et entretien

Hotte d'extraction convertible 76,2 cm (30 po) ou 91,4 cm (36 po)



Série GZ5730
Série GZ5736

Fabriqué sous un ou plusieurs des brevets des États-Unis suivants :
US D450, 829 S

www.whirlpool.com

IMPORTANT :
Lire et conserver ces instructions.

IMPORTANT :

Installateur : Remettre les instructions d'installation au propriétaire de l'appareil.

Propriétaire : Conserver les instructions d'installation pour consultation ultérieure.

Conserver les instructions d'installation à l'intention de l'inspecteur local des installations électriques.

Pièce N° 626890B/8284957A
Part No. 626890B/8284957A

Consultation rapide

Table des matières :

Pages

2	Avant de commencer
3	Spécifications pour l'installation électrique
3	Dimensions du produit
3	Circuit de décharge de l'air
4 - 7	Les étapes de l'installation
7 - 8	Utilisation et entretien
8	Garantie
9 - 10	Demande d'assistance ou de service

Avant de commencer...

Votre sécurité et celle des autres est très importante.

Nous donnons de nombreux messages de sécurité importants dans ce manuel, et sur votre appareil ménager. Assurez-vous de toujours lire tous les messages de sécurité et de vous y conformer.



Voici le symbole d'alerte de sécurité.

Ce symbole d'alerte de sécurité vous signale les dangers potentiels de décès et de blessures graves à vous et à d'autres.

Tous les messages de sécurité suivront le symbole d'alerte de sécurité et le mot «DANGER» ou «AVERTISSEMENT». Ces mots signifient :

DANGER

Risque possible de décès ou de blessure grave si vous ne suivez pas immédiatement les instructions.

AVERTISSEMENT

Risque possible de décès ou de blessure grave si vous ne suivez pas les instructions.

Tous les messages de sécurité vous diront quel est le danger potentiel et vous disent comment réduire le risque de blessure et ce qui peut se produire en cas de non-respect des instructions.

Important : Respecter les prescriptions de tous les codes et règlements en vigueur.

C'est au propriétaire de l'appareil qu'incombe la responsabilité de son installation. Veiller à disposer de tout le matériel nécessaire pour réaliser une installation correcte. C'est à l'installateur qu'incombe la responsabilité de respecter les distances de dégagement spécifiées.

Inspecter l'emplacement où la hotte d'aspiration sera installée; choisir un endroit à distance des sources de courants d'air, comme fenêtres, portes et bouches de chauffage.

Installation dans une résidence mobile

L'installation de la hotte doit être conforme aux prescriptions de la norme des É.-U. Manufactured Home Construction Safety Standards, titre 24 CFR, Partie 328 (anciennement Federal Standard for Mobile Home

Construction and Safety, titre 24, HUD, partie 280); lorsque cette norme n'est pas applicable, l'installation doit être réalisée en conformité avec les prescriptions de la dernière édition de la norme ANSI A225.1/NFPA 501A* (Manufactured Home Installation 1982 - Manufactured Home Sites, Communities and Setups) et/ou des codes locaux en vigueur.

AVERTISSEMENT - POUR RÉDUIRE LE RISQUE D'INCENDIE, CHOC ÉLECTRIQUE OU BLESSURE, RESPECTER LES INSTRUCTIONS SUIVANTES :

Tout travail d'installation ou câblage électrique doit être réalisé par une personne qualifiée, dans le respect des prescriptions de tous les codes et normes applicables, y compris les codes du bâtiment et de protection contre les incendies. Le fonctionnement de cet appareil peut modifier la circulation de l'air et affecter le fonctionnement d'un appareil utilisant un combustible. Respecter les directives du fabricant de l'équipement de chauffage et les prescriptions des normes de sécurité - comme celles publiées par la National Fire Protection Association (NFPA) et l'American Society of Heating, Refrigeration and Air Conditioning Engineers (ASHRAE) - et les prescriptions des autorités réglementaires locales.

Lors d'opérations de découpage et de perçage dans un mur ou plafond, veiller à ne pas endommager les câblages électriques ou canalisations qui peuvent s'y trouver.

Le conduit d'évacuation associé à un ventilateur doit toujours décharger l'air à l'extérieur.

AVERTISSEMENT - Pour réduire le risque d'incendie, utiliser uniquement des conduits métalliques.

Cet appareil doit être relié à la terre.

Cette hotte a été configurée à l'usine pour le raccordement à un conduit d'évacuation. Pour une installation sans raccordement à un conduit d'évacuation, acheter chez le revendeur l'ensemble de filtres de 76,2 cm (30 po) (produit n° 4396291) ou l'ensemble de filtres de 91,4 cm (36 po) (produit n° 4396292).

Outillage et matériel nécessaires pour l'installation :

- compas ou gabarit circulaire de 20,3 cm (8 po)
- tournevis à lame plate
- tournevis Phillips
- pince
- cisaille de ferblantier
- perceuse
- foret de 3 cm (1 1/4 po)
- crayon
- règle
- scie à guichet
- scie sauteuse
- ruban adhésif pour conduit
- clapet rond de 17,8 cm (7 po) – pour un conduit d'évacuation de diamètre 17,8 cm (7 po)

Spécifications pour l'installation électrique

Important : Respecter les prescriptions de tous les codes et règlements en vigueur.

C'est au client qu'incombe la responsabilité de :

- **Contacter un électricien qualifié pour l'installation.**
- **Veiller à ce que l'installation électrique soit réalisée d'une manière adéquate et en conformité avec les prescriptions du Code national des installations électriques ANSI/NFPA 70 - dernière édition*, ou des normes CSA C22.1-94/Code canadien des installations électriques (partie 1) et C22.2 N° 0-M91 - dernière édition**, et avec les prescriptions de tous les codes et règlements locaux en vigueur.**

Si un conducteur distinct de liaison à la terre est utilisé lorsque le code le permet, on recommande qu'un électricien qualifié vérifie que la liaison à la terre est adéquate.

L'appareil doit être alimenté par un circuit de 120 volts, 60 Hz, CA seulement, 15 A, avec un fusible sur chaque conducteur.

Ne pas utiliser une tuyauterie de gaz pour la liaison à la terre.

En cas d'incertitude quant à la qualité de la liaison à la terre de la hotte, consulter un électricien qualifié.

Ne pas installer un fusible en série avec le conducteur neutre ou le conducteur de liaison à la terre

IMPORTANT :
Conserver les instructions d'installation à l'intention de l'inspecteur local des installations électriques.

La hotte doit être raccordée au réseau électrique uniquement avec des conducteurs de cuivre.

La hotte doit être raccordée directement au coupe-circuit avec fusible ou au disjoncteur par l'intermédiaire de câble à conducteurs de cuivre, à blindage métallique flexible ou à gaine non métallique. Un passe-fil (homologation UL ou CSA) doit être installé à chaque extrémité du câble d'alimentation. Le calibre des conducteurs (CUIVRE SEULEMENT) et les connexions doivent être compatibles avec la demande de courant de l'appareil spécifiée sur la plaque signalétique.

La taille des conducteurs doit satisfaire les prescriptions du Code national des installations électriques ANSI/NFPA 70 - dernière édition*, ou des normes CSA C22.1-94/Code canadien des installations électriques (partie 1) et C22.2 N° 0-M91 - dernière édition**, et les prescriptions de tous les codes et règlements locaux en vigueur.

Un serre-câble (agrément UL ou CSA) doit être installé à chaque extrémité du câble d'alimentation (sur la hotte et sur la boîte de connexion).

Pour les États-Unis seulement : Pour une hotte alimentée par un cordon d'alimentation, on DOIT utiliser un cordon de branchement entre la cuisinière et la hotte (homologation U.L.). Ce produit n'a pas été évalué par rapport aux normes canadiennes.

On peut obtenir aux adresses suivantes des exemplaires des normes mentionnées :

* National Fire Protection Association
One Batterymarch Park
Quincy, Massachusetts 02269

**CSA International
8501 East Pleasant Valley Road
Cleveland, Ohio 44131-5575

Circuit de décharge de l'air

Le système doit décharger l'air à l'extérieur.

Ne pas terminer le conduit d'évacuation au-dessus d'un plafond ou dans autre espace fermé.

Ne pas utiliser une bouche de décharge murale de 10,2 cm (4 po) normalement utilisée pour un équipement de buanderie.

Ne pas utiliser des conduits de plastique.

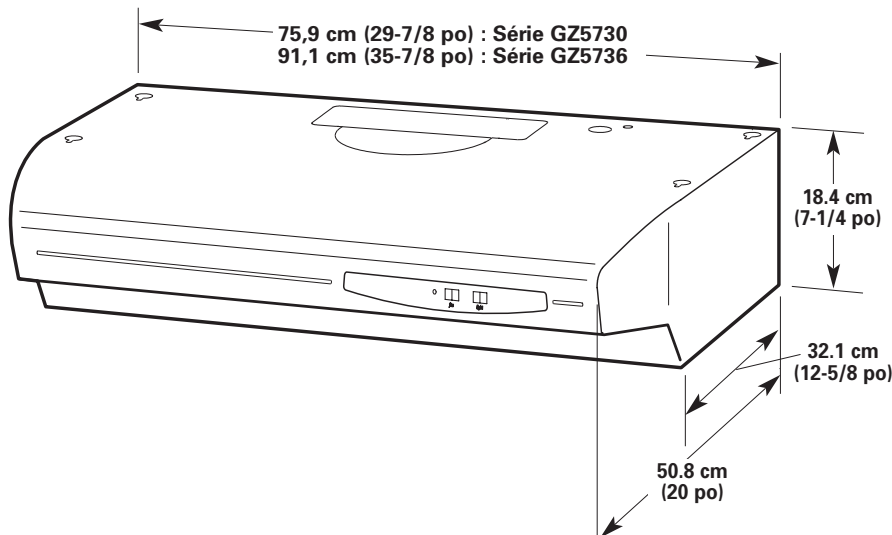
Le système d'évacuation nécessaire pour l'installation n'est pas inclus.

Déterminer la méthode appropriée pour la décharge à l'extérieur. On recommande que le conduit de décharge soit installé avant l'installation de la hotte.

NOTE : Pour une configuration d'installation avec recyclage (sans décharge) appliquer les instructions de la page 5.

Pour optimiser la performance, minimiser la longueur du circuit et le nombre de coudes. La section du circuit d'évacuation devrait être uniforme. Ne pas installer deux coudes ensemble. Utiliser du ruban adhésif pour conduit pour assurer l'étanchéité de chaque jointure du circuit. Le circuit peut effectuer la décharge à travers le toit ou à travers un mur. Calfeutrer pour réaliser l'étanchéité au point de traversée du mur ou du toit par le conduit d'évacuation. On recommande l'évacuation verticale à travers le toit à l'aide d'un conduit circulaire de diamètre 17,8 cm (7 po); ce système sera le plus efficace et le plus silencieux.

Dimensions du produit



Les figures 1 et 2 présentent les méthodes d'évacuation communément utilisées et les matériaux employés.

Décharge verticale, à travers le toit Décharge horizontale, à travers le mur

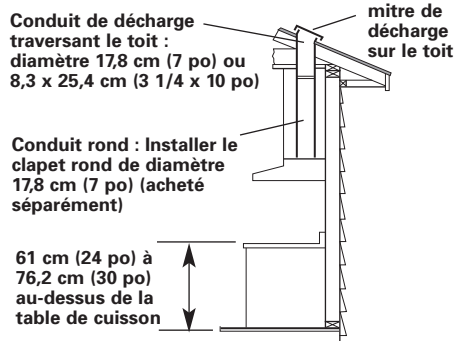


Figure 1

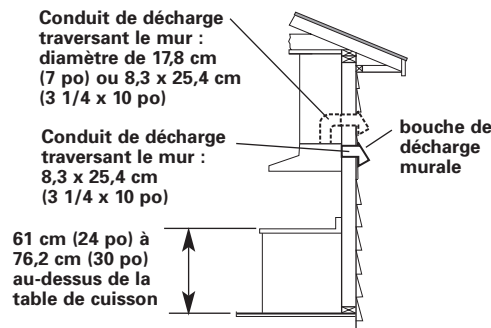
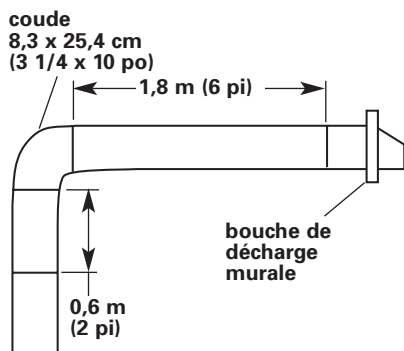


Figure 2

Longueur recommandée du circuit d'évacuation

Utiliser un circuit d'une longueur effective maximale de 19,8 m (65 pi), réalisé en conduit rectangulaire de 8,3 x 25,4 cm (3 1/4 x 10 po) ou conduit rond de dia. 17,8 cm (7 po). Pour obtenir la meilleure performance, ne pas incorporer plus de 3 raccords à 90° au circuit. Pour calculer la longueur effective du circuit, inclure la longueur équivalente de chaque section ou raccord utilisé. Voir les exemples à la page suivante.

Circuit de conduit 8,3 x 25,4 cm (3 1/4 x 10 po)

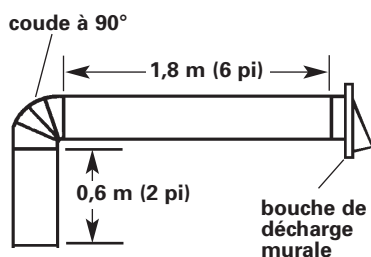


Longueur maximale	= 19,8 m (65 pi)
1 - coude à 90°	= 1,5 m (5 pi)
Section droite	
2,4 m (8 pi)	= 2,4 m (8 pi)
1 - bouche de décharge murale	= 0 ft. (0 m)
Longueur équivalente totale de conduit 8,3 x 25,4 cm (3 1/4 x 10 po)	= 4 m (13 pi)

Raccords standard recommandés

Coude à 90° 8,3 x 25,4 cm (3 1/4 x 10 po) = 1,5 m (5 pi)	Coude plat 8,3 x 25,4 cm (3 1/4 x 10 po) = 3,7 m (12 pi)	Bouche de décharge murale 8,3 x 25,4 cm (3 1/4 x 10 po) = 0 m (0 pi)

Circuit de décharge de diamètre 17,8 cm (7 po)



Longueur maximale	= 19,8 m (65 pi)
1 - coude à 90°	= 1,5 m (5 pi)
1 - bouche de décharge murale	= 0 ft. (0 m)
Section droite	
2,4 m (8 pi)	= 2,4 m (8 pi)
Longueur équivalente totale de conduit 17,8 cm (7 po)	= 4 m (13 pi)

Raccords standard recommandés

Coude à 90° = 1,5 m (5 pi)	Coude à 45° = 0,8 m (2,5 pi)	Bouche de décharge murale 17,8 cm (7 po) = 0 m (0 pi)
Raccord de transition 8,3 x 25,5 cm (3 1/4 x 10 po) / 17,8 cm (7 po) = 1,4 m (4,5 pi)	Raccord de transition à 90° 8,3 x 25,4 cm (3 1/4 x 10 po) / diamètre 17,8 cm (7 po) = 1,5 m (5 pi)	

Commencer avec... la hotte dans la cuisine.

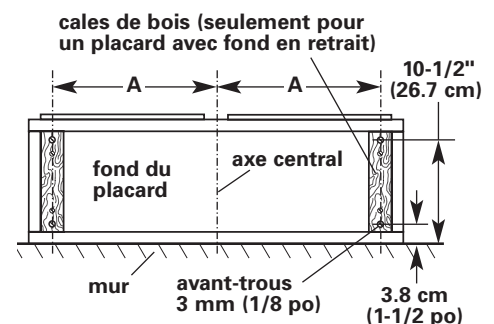
Placer une feuille de contreplaqué ou de carton sous la cuisinière avant de la déplacer pour ne pas endommager le revêtement de sol.

Protéger le plan de travail, la table de cuisson ou la cuisinière encastrée avec un matériau protecteur épais.

1. Déconnecter la cuisinière autonome et retirer la cuisinière de sa cavité d'encastrement pour accéder plus facilement aux placards muraux et au mur arrière. Placer un matériau protecteur épais sur la table de cuisson ou le plan de travail pour la protection contre les dommages et souillures.

2. Déterminer quelle méthode de décharge de l'air sera utilisée (à travers le toit, à travers le mur, ou sans évacuation). Lors de l'expédition, cette hotte est configurée pour utilisation avec évacuation.

Préparation de l'emplacement de l'installation



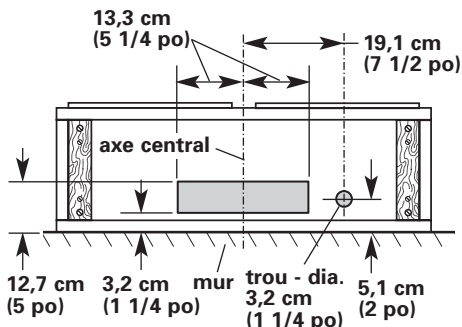
taille de la hotte	A
76,2 cm (30 po)	35,4 cm (13-15/16 po)
91,4 cm (36 po)	43,4 cm (16-15/16 po)

3. Percer quatre avant-trous de 3,0 mm (1/8 po) pour les vis de montage de la hotte. Si le fond du placard forme une cavité, ajouter une cale d'appui de chaque côté.

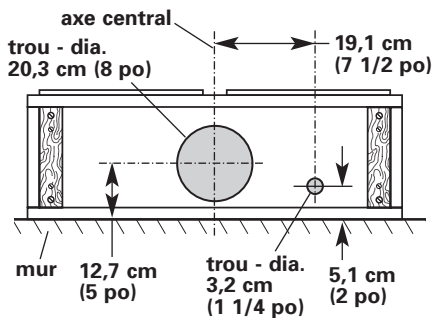
4. À l'aide des illustrations ci-dessous, choisir la configuration d'installation.

Installations avec conduit de décharge : Découper les orifices nécessaires pour le câblage électrique et le conduit de décharge.

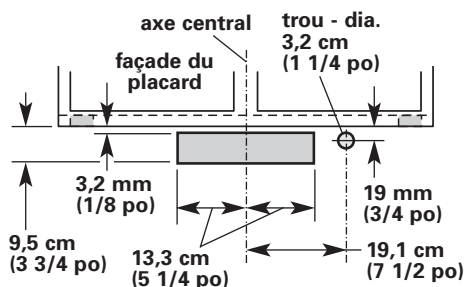
Installations sans conduit de décharge : Percer seulement un trou de 3,2 cm (1 1/4 po) pour le passage du câblage. Pour l'arrivée du câblage par le sommet, utiliser l'emplacement indiqué pour un circuit de décharge VERTICAL. Pour l'arrivée du câblage par l'arrière, utiliser l'emplacement indiqué pour le circuit de décharge HORIZONTAL.



Conduit d'évacuation VERTICAL/RECTANGULAIRE
8,3 x 25,4 cm (3 1/4 x 10 po)



Conduit d'évacuation VERTICAL/ROUND
17,8 cm (7 po)



Conduit d'évacuation HORIZONTAL
8,3 x 25,4 cm (3 1/4 x 10 po)

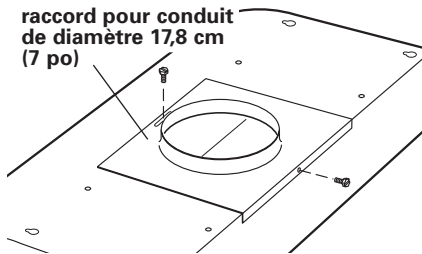
Préparation de la hotte

⚠ AVERTISSEMENT

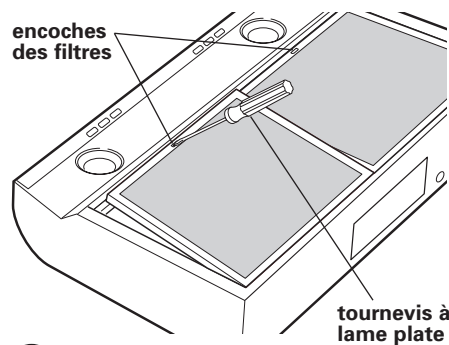
Danger - Poids excessif

Deux personnes ou plus doivent participer aux opérations de manipulation de la hotte.

Le non-respect de cette instruction peut provoquer des blessures du dos ou autres blessures.

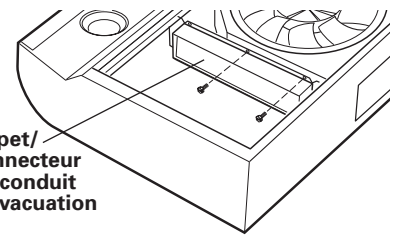


5. Placer la hotte sur une surface protégée (protection avec une feuille de carton ou une serviette). Ôter le raccord pour conduit de diamètre 17,8 cm (7 po) au sommet de la hotte. Conserver le raccord et les vis de montage.

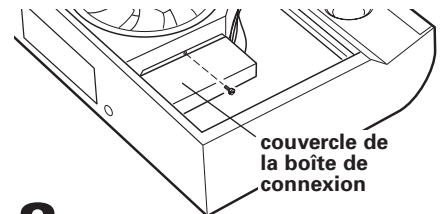


6. Ôter les morceaux de ruban adhésif fixant les filtres standard en place. Ôter les deux filtres : insérer la lame plate d'un tournevis dans les encoches des filtres; pousser chaque filtre vers l'arrière de la hotte, et soulever pour enlever chaque filtre.

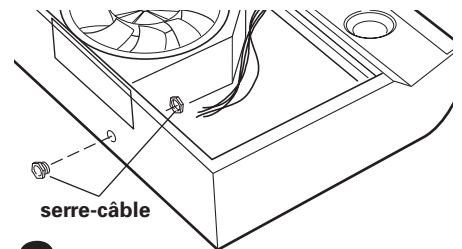
Installations sans circuit de décharge : Fixer les filtres à charbon sur les filtres d'aluminium (rayures bleues et oranges orientées vers la table de cuisson).



7. Retirer de l'intérieur de la hotte l'ensemble clapet/raccord de conduit. Conserver le raccord et les vis de montage ainsi que le sachet de pièces.



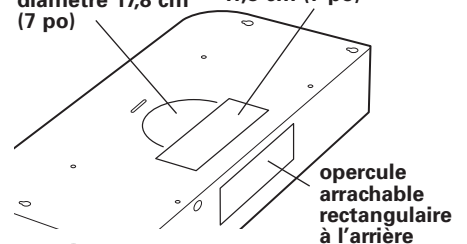
8. Ôter le couvercle de la boîte de connexion à l'intérieur de la hotte. Conserver le couvercle et la vis de montage.



9. Selon la configuration d'installation choisie, enlever un opercule arrachable au sommet ou à l'arrière, et installer un serre-câble (homologation U.L. ou CSA).

opercule arrachable demi-circulaire (à enlever pour le conduit de diamètre 17,8 cm (7 po))

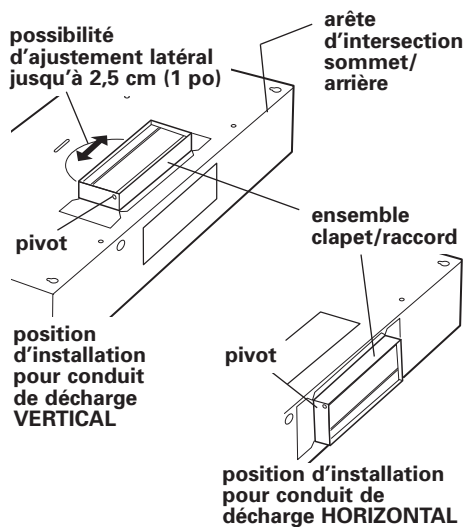
opercule arrachable rectangulaire au sommet (à enlever pour l'utilisation d'un conduit de diamètre 17,8 cm (7 po))



10. Pour une installation avec un conduit de décharge, enlever l'opercule arrachable approprié au sommet ou à l'arrière. Pour un conduit de décharge de diamètre 17,8 cm (7 po) enlever les deux opercules arrachables du sommet (demi-cercle et rectangle).

Pour une installation avec conduit de décharge, passer à l'étape 11.

Pour une installation sans conduit de décharge, passer à « Raccordement au réseau électrique ».



11. Pour conduit de décharge rectangulaire seulement : Installer l'ensemble clapet/raccord de connexion sur l'ouverture réalisée à l'étape 10. Veiller à orienter le pivot du clapet vers l'arête d'intersection des surfaces supérieure et arrière de la hotte. Ôter le ruban adhésif qui immobilise le clapet.

Note : Pour un système avec décharge horizontale, on recommande de fixer (avec du ruban adhésif) le conduit rectangulaire sur l'ensemble clapet/raccord de connexion **avant** l'installation de la hotte.

12. Pour conduit de décharge circulaire seulement : Réinstaller le raccord de connexion enlevé à l'étape 5 (« Préparation de la hotte »). Installer le clapet circulaire de 17,8 cm (7 po) (acheté séparément). Le clapet doit pouvoir s'ouvrir librement dans la direction de circulation de l'air (l'air doit pouvoir quitter la hotte).

Note : Si le conduit d'évacuation n'est pas parfaitement centré par rapport à la hotte, on peut déplacer le raccord de connexion d'un côté ou de l'autre, jusqu'à 2,5 cm (1 po). En cas de décentrage excessif, il peut être nécessaire d'entailler le raccord de connexion du conduit pour qu'il n'y ait pas d'interférence avec le serre-câble.

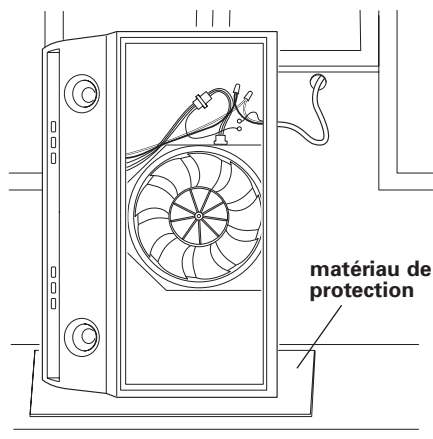
Raccordement au réseau électrique

⚠️ AVERTISSEMENT

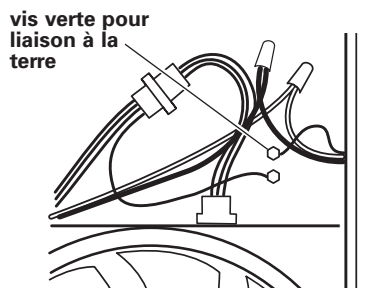


Risque de choc électrique
Interrompre l'alimentation électrique du circuit avant d'effectuer les raccordements.
Relier le conducteur de liaison à la terre à la vis verte dans la boîte de connexion.
Le non-respect de ces instructions peut susciter un décès ou un choc électrique.

Ne pas mettre l'appareil sous tension avant que l'installation soit terminée. Si cela n'a pas été fait, acheminer le câblage à travers le mur ou la paroi du placard conformément aux prescriptions des codes et règlements en vigueur.



13. Placer la hotte comme dans l'illustration (placer un matériau de protection sur la table de cuisson pour protéger la hotte et la table de cuisson).



14. Raccorder les conducteurs du câble d'alimentation de la hotte aux conducteurs de même couleur du

circuit électrique, avec des connecteurs vissables (blanc-blanc et noir-noir). Ensuite connecter le conducteur de liaison à la terre à l'intérieur de la boîte de connexion de la hotte, avec la vis verte.

Bien serrer le serre-câble.

Utilisation d'un cordon d'alimentation spécial (homologation U.L - États-Unis seulement) :

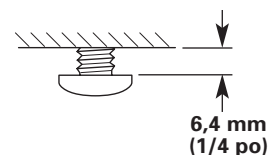
Exécuter les instructions d'installation fournies avec le produit.

15. Réinstaller le couvercle de la boîte de connexion.

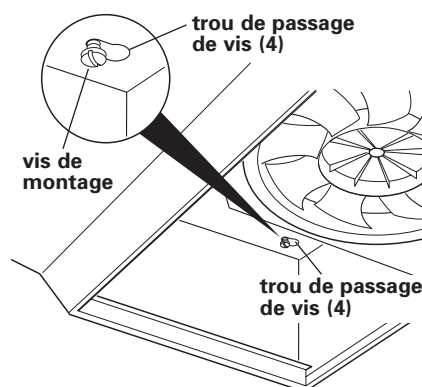
Installation de la hotte

⚠️ AVERTISSEMENT

Danger - Poids excessif
Deux personnes ou plus doivent participer aux opérations de manipulation de la hotte.
Le non-respect de cette instruction peut provoquer des blessures du dos ou autres blessures.



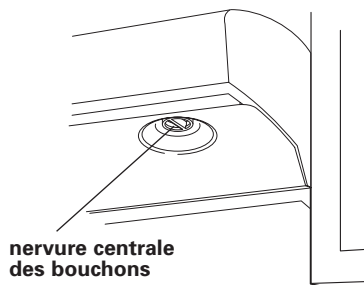
16. Prendre dans le sachet de pièces les 4 vis de montage de la hotte; placer les vis dans les avant-trous. Laisser un écart d'environ 6,4 cm (1/4 po) entre chaque tête de vis et les cales.



17. Soulever la hotte jusqu'à sa position finale; faire passer le câble électrique à travers l'ouverture de câblage. Pour éviter des dommages, **NE PAS APPUYER SUR L'HÉLICE DU VENTILATEUR.**

Positionner la hotte de manière à pouvoir faire passer les têtes de vis dans les trous de passage, puis pousser la hotte vers le mur pour placer les vis dans la partie étroite des trous de passage. Serrer les vis de montage; vérifier que chaque vis se trouve dans la partie étroite du trou de passage. Vérifier que le clapet peut manœuvrer librement.

18. Connecter le conduit d'évacuation sur la hotte. Assurer l'étanchéité des jointures avec du ruban adhésif pour conduit.



19. Ôter les bouchons des douilles de lampe – utiliser une pince pour saisir la nervure centrale de chaque bouchon, et effectuer un mouvement de rotation en tirant vers le bas. Jeter les bouchons.

Installer 2 lampes à halogène PAR20, 50 W maximum, ou 2 lampes à incandescence R16, 40 W maximum.

On doit acheter les lampes séparément.

20. Réinstaller les filtres. Note : l'encoche de chaque filtre doit être orientée vers l'avant de la hotte. Pour une installation avec recyclage, ne pas oublier d'installer un filtre au charbon sur la face arrière de chaque filtre d'aluminium. (Voir l'étape 6.) Vérifier que l'hélice du ventilateur peut tourner librement.

21. Mettre l'appareil sous tension; vérifier le bon fonctionnement.

Pour pouvoir faire le meilleur usage de cette nouvelle hotte, lire la section « Utilisation et entretien ». Conserver les instructions d'installation Whirlpool et le guide d'utilisation et entretien pour pouvoir les consulter facilement.

Utilisation et entretien

AVERTISSEMENT - Pour réduire le risque d'incendie ou de choc électrique, ne pas utiliser ce ventilateur en conjonction avec un dispositif de réglage de la vitesse à semi-conducteurs.

AVERTISSEMENT - POUR MINIMISER LE RISQUE D'INCENDIE, CHOC ÉLECTRIQUE OU DOMMAGES CORPORELS, RESPECTER LES INSTRUCTIONS SUIVANTES :

Utiliser cet appareil uniquement dans les applications envisagées par le fabricant. Pour toute question, contacter le fabricant. Avant d'entreprendre un travail d'entretien ou de nettoyage, interrompre l'alimentation de la hotte au niveau du tableau de disjoncteurs, et verrouiller le tableau de disjoncteurs pour empêcher tout rétablissement accidentel de l'alimentation du circuit. Lorsqu'il n'est pas possible de verrouiller le tableau de disjoncteurs ou le dispositif d'interruption de l'alimentation, placer sur le tableau de disjoncteurs une étiquette d'avertissement proéminente interdisant le rétablissement de l'alimentation.

MISE EN GARDE : Cet appareil est conçu uniquement pour la ventilation générale. Ne pas l'utiliser pour l'évacuation de matières ou vapeurs dangereuses ou explosives.

AVERTISSEMENT - POUR MINIMISER LE RISQUE D'UN FEU DE GRAISSE SUR LA TABLE DE CUISSON :

Ne pas laisser une cuisson en cours à feu vif sans surveillance. Un débordement peut provoquer la génération de fumée ou un feu de graisse. Utiliser une puissance de chauffage moyenne ou basse pour faire chauffer de l'huile lentement.

Faire toujours fonctionner le ventilateur de la hotte lors d'une cuisson à feu vif ou pour flamber un mets.

Veiller à maintenir la propreté du ventilateur, des filtres et des surfaces où de la graisse peut s'accumuler. Nettoyer fréquemment.

Utiliser toujours des ustensiles et récipients de cuisson appropriés, correspondant au type et à la quantité des aliments à préparer, et à la taille de l'élément chauffant.

AVERTISSEMENT - POUR RÉDUIRE LE RISQUE DE DOMMAGES CORPORELS APRÈS LE DÉCLENCHEMENT D'UN FEU DE GRAISSE SUR LA CUISINIÈRE, APPLIQUER LES RECOMMANDATIONS SUIVANTES :

Placer sur le récipient un couvercle bien ajusté, une tôle à biscuits ou un plateau métallique **POUR ÉTOUFFER LES FLAMMES**, puis éteindre le brûleur. **VEILLER À ÉVITER LES BRÛLURES.** Si les flammes ne s'éteignent pas immédiatement, **ÉVACUER LA PIÈCE ET CONTACTER LES POMPIERS. NE JAMAIS PRENDRE EN MAIN UN RÉCIPIENT ENFLAMMÉ** - le risque de brûlure est élevé.

NE PAS UTILISER D'EAU ni un torchon humide - ceci pourrait provoquer une explosion de vapeur brûlante. Utiliser un extincteur **SEULEMENT** si :

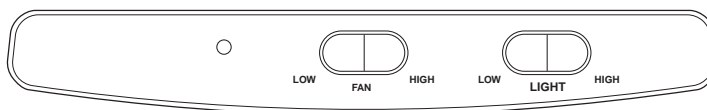
Il s'agit d'un extincteur de classe ABC, dont on connaît le fonctionnement.

Il s'agit d'un petit feu encore limité à l'endroit où il s'est déclaré.

Les pompiers ont été contactés.

Il est possible de garder le dos orienté vers une sortie pendant l'opération de lutte contre le feu.

Utilisation de la hotte



Ventilateur : Le ventilateur est commandé par le commutateur basculant à 3 positions (côté gauche).

L'enfoncement vers la gauche correspond à la basse vitesse; la position centrale correspond à l'arrêt du ventilateur; l'enfoncement vers la droite correspond à la haute vitesse. Un témoin lumineux indique le fonctionnement du ventilateur.

Éclairage : Les lampes sont commandées par le commutateur basculant à 3 positions (côté droit). L'enfoncement vers la gauche correspond à la basse intensité; la position centrale correspond à l'extinction des lampes; l'enfoncement vers la droite correspond à la haute intensité.

Remplacement d'une lampe à halogène :

Avant d'entreprendre le travail, vérifier que la hotte est arrêtée et attendre que les lampes se soient refroidies. La température de fonctionnement des lampes à halogène est élevée. Voir d'autre information sur l'emballage des lampes.

Installer 2 lampes à halogène PAR20, 50 W maximum, ou 2 lampes à incandescence R16, 40 W maximum.

Nettoyage

Filtres d'aluminium :

Nettoyer fréquemment les filtres avec de l'eau chaude et un détergent doux. On peut laver les filtres au lave-vaisselle.

Filtres au charbon (installation avec recyclage) :

Nettoyer fréquemment la surface des filtres avec un chiffon humide et un détergent doux. NE PAS immerger les filtres dans de l'eau ni les placer dans un lave-vaisselle.

Les rayures bleues et jaunes se transformeront en une teinte verte lorsqu'il sera temps de changer les filtres; cet indicateur est plus efficace lorsqu'il est orienté vers la table de cuisson.

Acheter chez un revendeur l'ensemble

de filtres pour hotte de 76,2 cm (30 po), produit no 4396291, ou l'ensemble de filtres pour hotte de 91,4 cm (36 po), produit no 4396292.

Nettoyage de la hotte :

Interrompre l'alimentation électrique de la hotte; ôter les filtres. Utiliser un chiffon humide et un détergent doux pour enlever les accumulations de graisse par essuyage des surfaces. Procéder prudemment pour le nettoyage du ventilateur – il ne faut pas déformer les pales ou perturber l'alignement. VEILLER À PROTÉGER LE MOTEUR CONTRE TOUTE PROJECTION D'EAU. Vérifier que toutes les surfaces sont parfaitement sèches avant de réinstaller les filtres et de remettre l'appareil sous tension.

Le moteur a fait l'objet d'une lubrification « vie entière ». Ne pas huiler ou démonter le moteur.

Garantie Whirlpool – Hotte d'extraction

DURÉE DE PÉRIODE DE GARANTIE	WHIRLPOOL PAIERA POUR
GARANTIE LIMITEE DE UN AN À compter de la date d'achat	Pièces et main-d'œuvre (sauf lampes et filtres) pour l'élimination d'un vice de matériau ou de fabrication.
WHIRLPOOL NE PAIERA PAS POUR	
A. Frais de main-d'œuvre correspondant au remplacement d'une pièce défectueuse.	
B. Pièces consommables comme lampes et filtres.	
C. Interventions d'un technicien pour : 1. Rectifier l'installation de la hotte. 2. Formation de l'utilisateur. 3. Remplacement des fusibles ou rectification du câblage électrique.	
D. Réparations imputables à l'utilisation de la hotte autrement qu'en service unifamilial normal.	
E. Transport du produit. Ce produit est conçu pour être réparé sur place.	
F. Détérioration de la hotte imputable à accidents, usage impropre, incendie, inondation, catastrophe naturelle ou utilisation d'un produit non approuvé par Whirlpool.	

WHIRLPOOL ET INGLIS LIMITÉE DÉCLINENT TOUTE RESPONSABILITÉ AU TITRE DE DOMMAGES SECONDAIRES OU INDIRECTS. Certains États ou provinces n'admettent pas l'exclusion ou la limitation des dommages secondaires ou indirects; par conséquent, cette limitation ou exclusion peut ne pas vous être applicable.

Cette garantie vous confère des droits juridiques spécifiques; vous pouvez également jouir d'autres droits variables d'un État ou d'une province à un/une autre.

Hors des États-Unis et du Canada, une garantie différente peut être applicable. Pour les détails, consulter le revendeur local agréé par Whirlpool.

Demande d'assistance ou de service

Si vous avez besoin d'assistance ou de service aux É.-U.

Téléphoner au Centre d'interaction avec la clientèle Whirlpool sans frais d'interurbain au 1-800-253-1301.

Nos consultants sont disponibles pour vous aider.

Lors de votre appel, veuillez connaître la date d'achat, les numéros au complet de modèle et de série de votre appareil. Ces renseignements nous aideront à mieux répondre à votre demande.



Nos consultants fournissent de l'assistance pour :

- Caractéristiques et spécifications de notre gamme complète d'appareils électroménagers
- Renseignements concernant l'installation

- Procédé d'utilisation et d'entretien
- Vente d'accessoires et de pièces de rechange
- Assistance spécialisée aux clients (langue espagnole, malentendants, malvoyants, etc.)
- Les références aux marchands, compagnies de service de réparation, et distributeurs de pièces de rechange locaux.

Les techniciens de service désignés par Whirlpool sont formés pour exécuter les travaux sous garantie sur les produits et pour dispenser les services nécessaires après l'expiration de la garantie, partout aux É.-U.

Pour localiser la compagnie de service agréée par Whirlpool dans votre région, vous pouvez consulter les Pages jaunes de votre annuaire de téléphone.

Si vous avez besoin de pièces de rechange

Si vous avez besoin de commander des pièces de rechange, nous vous recommandons d'utiliser seulement des pièces autorisées par l'usine. Ces pièces conviendront et fonctionneront bien parce qu'elles sont fabriquées selon les mêmes spécifications précises utilisées pour construire chaque nouvel appareil Whirlpool.

Pour localiser des pièces autorisées par l'usine dans votre région, téléphonez à notre Centre d'interaction avec la clientèle, votre Centre de service autorisé le plus proche, ou le service de l'usine Whirlpool en composant le 1-800-442-1111.

Pour plus d'assistance

Si vous avez besoin de plus d'assistance, vous pouvez écrire en soumettant toute question ou problème au :

Customer Interaction Center
c/o Correspondence Dept.
2000 North M-63
Benton Harbor, MI 49022-2692

Veuillez indiquer dans votre correspondance un numéro de téléphone où on peut vous joindre dans la journée.

Si vous avez besoin d'assistance ou de service au Canada

1. Si le problème n'est pas attribuable à l'une des causes indiquées dans « Dépannage »†...



Communiquer avec le marchand chez qui vous avez acheté votre appareil électroménager, ou téléphoner au Centre d'assistance aux consommateurs, sans frais d'interurbain entre 8 h 30 et 18 h 00 (HNE) au 1-800-235-0665.

2. Si vous avez besoin de service†...

Communiquer avec la plus proche succursale ou le plus proche établissement de service agréé de Inglis Ltée pour l'entretien de votre appareil. (Voir la liste ci-dessous.)

†Lorsque vous demandez de l'assistance ou une intervention, veuillez fournir une description détaillée du problème, les numéros complets du modèle et de série de l'appareil, et la date d'achat. Ces renseignements nous aideront à mieux répondre à votre demande.

Succursales de service direct :

COLOMBIE-BRITANNIQUE		1-800-665-6788
ALBERTA		1-800-661-6291
ONTARIO (à l'exception du code régional 807)	Région d'Ottawa	1-800-267-3456
	En dehors de la région d'Ottawa	1-800-807-6777
MANITOBA, SASKATCHEWAN et code régional 807 en ONTARIO		1-800-665-1683
QUÉBEC	Montréal (à l'exception de la rive sud)	1-800-361-3032
	Rive Sud Montréal	1-800-361-0950
	Québec	1-800-463-1523
	Sherbrooke	1-800-567-6966
PROVINCES DE L'ATLANTIQUE		1-800-565-1598

Pour plus d'assistance

Si vous avez besoin d'autre d'assistance, vous pouvez écrire à Inglis Ltée en soumettant toute question ou préoccupation au :

Service des relatins avec la clientèle le
Inglis Ltée
1901 Minnesota Court
Mississauga, Ontario L5N 3A7

Veillez indiquer dans votre correspondance un numéro de téléphone où on peut vous joindre durant la journée.

www.inglislimited.com

Free Manuals Download Website

<http://myh66.com>

<http://usermanuals.us>

<http://www.somanuals.com>

<http://www.4manuals.cc>

<http://www.manual-lib.com>

<http://www.404manual.com>

<http://www.luxmanual.com>

<http://aubethermostatmanual.com>

Golf course search by state

<http://golfingnear.com>

Email search by domain

<http://emailbydomain.com>

Auto manuals search

<http://auto.somanuals.com>

TV manuals search

<http://tv.somanuals.com>