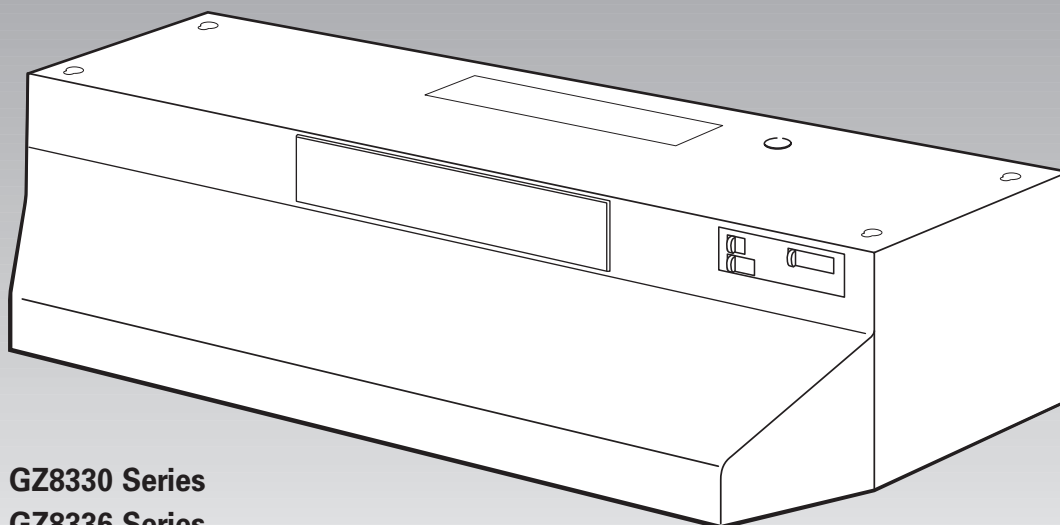


# Installation Instructions and Use and Care Guide

## 30" (76.2 cm) and 36" (91.4 cm) Convertible Range Hood



GZ8330 Series  
GZ8336 Series

[www.whirlpool.com](http://www.whirlpool.com)

**IMPORTANT:**  
Read and save  
these instructions.

**IMPORTANT:**

**Installer:** Leave Installation Instructions with the homeowner.

**Homeowner:** Keep Installation Instructions for future reference.

**Save** Installation Instructions for local electrical inspector's use.

### Quick Reference

#### Table of Contents:

Pages

<b>2</b>	Before you start
<b>2</b>	Electrical requirements
<b>3</b>	Product dimensions
<b>3 - 4</b>	Venting requirements
<b>4 - 7</b>	Installation steps
<b>7 - 8</b>	Use and Care Information
<b>8</b>	Warranty
<b>9 - 10</b>	Requesting Assistance or Service

Part No. 99043151A/8285188

Pièce N° 99043151A/8285188

## Before you start...

### Your safety and the safety of others is very important.

We have provided many important safety messages in this manual and on your appliance. Always read and obey all safety messages.



This is the safety alert symbol. This symbol alerts you to potential hazards that can kill or hurt you and others. All safety messages will follow the safety alert symbol and either the word "DANGER" or "WARNING". These words mean:

### DANGER

You can be killed or seriously injured if you don't **immediately** follow instructions.

### WARNING

You can be killed or seriously injured if you don't follow instructions.

All safety messages will tell you what the potential hazard is, tell you how to reduce the chance of injury, and tell you what can happen if the instructions are not followed.

### Important: Observe all governing codes and ordinances.

Proper installation is your responsibility. Make sure you have everything necessary for correct installation. It is the responsibility of the installer to comply with the clearances specified.

Check the location where the range hood will be installed. The location should be away from strong draft areas, such as windows, doors, and strong heating vents.

#### Mobile home installation

The installation of this range hood must conform to the Manufactured Home Construction Safety Standards, Title 24 CFR, Part 328 (formerly the Federal Standard for Mobile Home Construction and Safety, Title 24, HUD, Part 280) or when such standard is not applicable, the Standard for Manufactured Home Installation 1982 (Manufactured Home Sites, Communities and Setups) ANSI A225.1/NFPA 501A\*, or latest edition, or with local codes.

**WARNING** — TO REDUCE THE RISK OF FIRE, ELECTRIC SHOCK, OR INJURY TO PERSONS, OBSERVE THE FOLLOWING:

Installation work and electrical wiring must be done by qualified person(s) in accordance with all applicable Codes and Standards, including Fire Rated Construction. Sufficient air is needed for proper combustion and exhausting of gases through the flue (chimney) of fuel burning equipment to prevent back drafting. Follow the heating equipment manufacturer's guideline and safety standards such as those published by the National Fire Protection Association (NFPA), and the American Society of Heating Refrigeration and Air Conditioning Engineers (ASHRAE), and the local code authorities.

When cutting or drilling into wall or ceiling, do not damage electrical wiring and other hidden utilities.

Ducted fans must always be vented to the outdoors.

**WARNING** — To reduce the risk of fire, use only metal ductwork.

This unit must be grounded.

**This hood is factory set for vented installations.** For non-vented installations, purchase Charcoal Filter Pad Kit No. 4396390 (contains two filter pads) from your dealer.

## Tools and materials needed for installation:

- flat blade screwdriver
- pliers
- drill
- ruler
- 1-1/4" (3.0 cm) drill bit
- 1/8" (or 3 mm) drill bit for pilot holes
- pencil

#### For vented installations, you also need:

- compass or 8" (20.3 cm) circle template
- metal snips
- keyhole saw
- saber saw
- duct tape
- 3-1/4"x10" (81.3 x 25.4 cm) to 6" (15.2 cm) round transition piece if using round vent
- 6" (15.2 cm) round damper if using 6" (15.2 cm) round vent system

#### Cabinets with recessed bottoms:

- 2, 2" (5.8 cm) wide filler strips. Length and thickness determined by recess dimensions.
- 4 flat head wood screws or machine screws with washers and nuts to attach filler strips.

## Parts supplied:

- 2, aluminum filters
- 3-1/4" x 10" (8.3 x 25.4 cm) damper/vent connector
- parts bag

## Electrical requirements

**Important: Observe all governing codes and ordinances.**

**It is the customer's responsibility:**

- To contact a qualified electrical installer.
- To assure that the electrical installation is adequate and in conformance with National Electrical Code, ANSI/NFPA 70 — latest edition\*, or CSA Standards C22.1-94, Canadian Electrical Code, Part 1 and C22.2 No.0-M91 - latest edition\*\* and all local codes and ordinances.

**A separate ground wire must be used. It is recommended that a qualified electrician determine that the ground path is adequate.**

**A 120-volt, 60-Hz, AC-only, fused electrical system is required. A separate 15-amp circuit is recommended.**

**Do not ground to a gas pipe.**

**Check with a qualified electrician if you are not sure range hood is properly grounded.**

**Do not have a fuse in the neutral or ground circuit.**

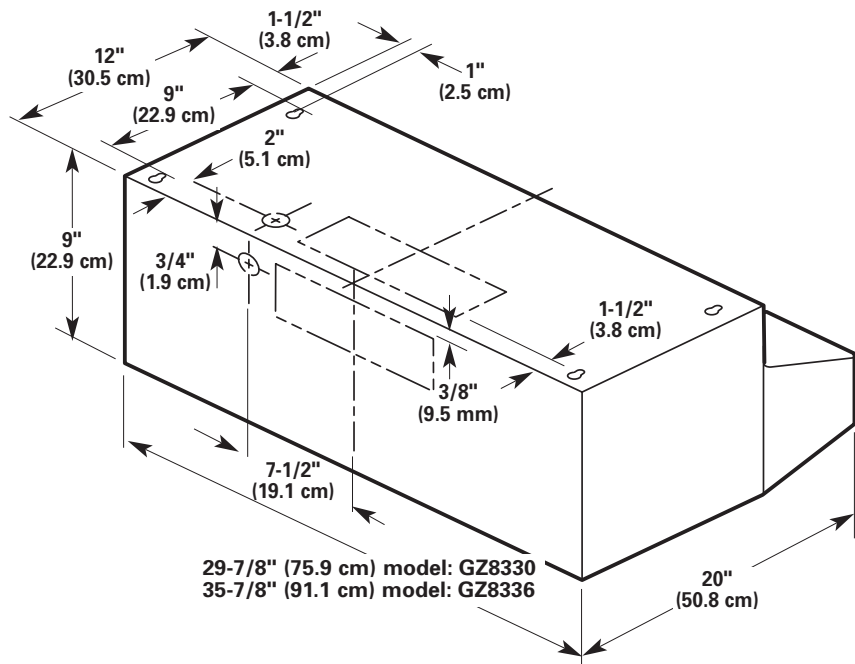
#### IMPORTANT:

**Save Installation Instructions for electrical inspector's use.**

**The range hood must be connected with copper wire only.**

The range hood should be connected directly to the fused disconnect (or circuit breaker) box through flexible armored or nonmetallic sheathed copper cable. A U.L.- or C.S.A.-listed strain relief must be provided at each end of the power supply cable. Wire sizes (COPPER WIRE ONLY) and connections must conform with the rating of the appliance as specified on the model/serial rating plate.

# Product dimensions



Wire sizes must conform to the requirements of the National Electrical Code ANSI/NFPA 70 — latest edition\*, or CSA Standards C22.1-94, Canadian Electrical Code Part 1 and C22.2 No. 0-M91 - latest edition\*\* and all local codes and ordinances.

A U.L.- or C.S.A.-listed conduit connector must be provided at each end of the power supply cable (at the range hood and at the junction box).

In U.S. only: For power cord connected installations, a U.L.-listed range hood cord-connection kit **MUST** be used. Cord kit has not been evaluated for use in Canada.

Copies of the standards listed may be obtained from:

\* National Fire Protection Association  
One Batterymarch Park  
Quincy, Massachusetts 02269

\*\* CSA International  
8501 East Pleasant Valley Road  
Cleveland, Ohio 44131-5575

# Venting requirements

**Venting system must terminate to the outside.**

**Do not terminate the vent in an attic or other enclosed space.**

**Do not use four-inch (10.2 cm) laundry-type wall caps.**

**Do not use plastic vent.**

**Vent system needed for installation is not included.**

Determine which outside venting method needs to be used. It is recommended that the vent system be installed before installing the hood.

NOTE: If a non-vented (recirculating) installation is desired, follow instructions on Page 5.

The length of the vent system and number of elbows should be kept to a minimum to provide efficient performance. The size of the vent system should be uniform. Do Not install two elbows together. Use duct tape to seal all joints in the vent system. Vent system can terminate either through the roof or wall. Use caulking to seal exterior wall or roof opening around exhaust hood. For the most efficient and quiet operation, it is recommended that the range be vented vertically through the

roof through 6" (15.2 cm) round vent system.

Figures 1 and 2 show common venting methods and what types of materials are needed.

## Recommended vent length

Use 3-1/4" x 10" (8.3 x 25.4 cm) or 6" (15.2 cm) or larger round vent with a maximum length of 70 feet (21.3 m) for vent system. If 7" (17.8 cm) round vent is used, the maximum length is 80 ft. (24.4 m). For best performance, use no more than three 90° elbows. To calculate the length of system you need, add the equivalent feet (meters) for each vent piece used in the system. See the examples on the next page.

## Vertical roof venting

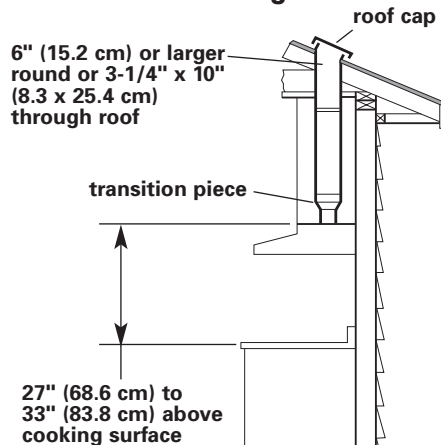


Figure 1

## Horizontal wall venting

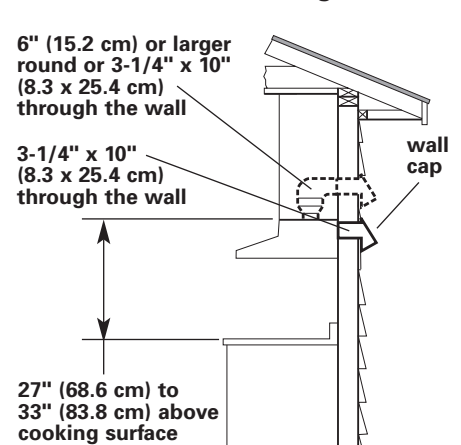
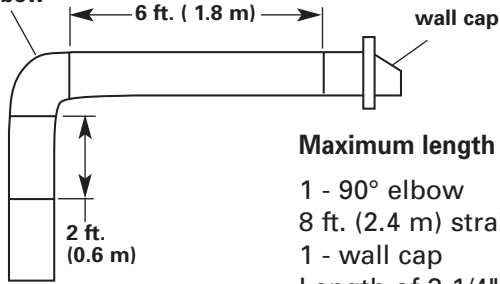


Figure 2

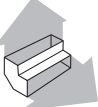
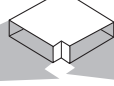

## 3-1/4" x 10" (8.3 x 25.4 cm) vent system

3-1/4" x 10"  
(8.3 x 25.4 cm)  
elbow

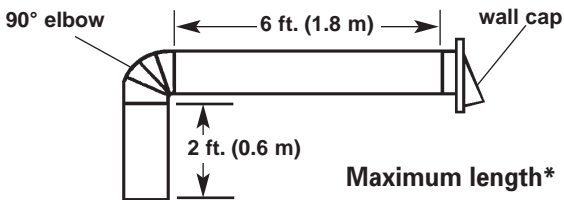


Maximum length	=	70 ft. (21.3 m)
1 - 90° elbow	=	5 ft. (1.5 m)
8 ft. (2.4 m) straight	=	8 ft. (2.4 m)
1 - wall cap	=	0 ft. (0 m)
Length of 3-1/4" x 10" (8.3 x 25.4 cm) system	=	13 ft. (3.9 m)

### Recommended standard fittings

		
3-1/4" x 10" (8.3 x 25.4 cm) 90° elbow = 5 ft. (1.5 m)	3-1/4" x 10" (8.3 x 25.4 cm) flat elbow = 12 ft. (3.7 m)	3-1/4" x 10" (8.3 x 25.4 cm) wall cap = 0 ft. (0 m)




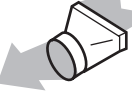
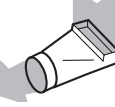
## 6" (15.2 cm) vent system



Maximum length*	=	70 ft. (21.3 m)
1 - 90° elbows	=	5 ft. (1.5 m)
1 - wall cap	=	0 ft. (0 m)
8 ft. (2.4 m) straight	=	8 ft. (2.4 m)
Length of 6" (15.2 cm) system	=	13 ft. (3.9 m)

\* If 7" (17.8 cm) round vent is used, maximum length of vent system is 80 ft. (24.4 m).

### Recommended standard fittings

				
90° elbow = 5 ft. (1.5 m)	45° elbow = 2.5 ft. (0.8 m)	6" (15.2 cm) wall cap = 0 ft. (0 m)	3-1/4" x 10" (8.3 x 25.4 cm) to 6" (15.2 cm) = 4.5 ft. (1.4 m)	3-1/4" x 10" (8.3 x 25.4 cm) to 6" (15.2 cm) 90° elbow = 5 ft. (1.5 m)

**Now start...**  
With range hood in kitchen.

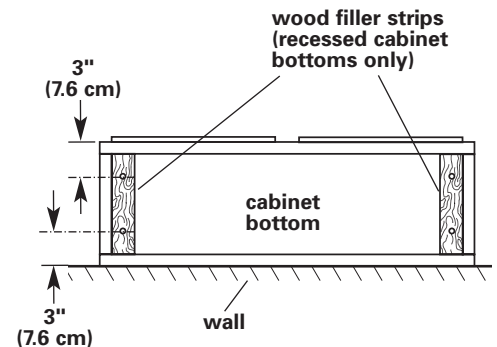
Slide cardboard or hardboard under range before moving range across floor to prevent damaging floor covering.

Cover countertop, cooktop or set-in range with a thick, protective covering to prevent damaging them.

**1.** Disconnect and move freestanding range from cabinet opening to provide easier access to upper cabinet and rear wall. Put a thick, protective covering over cooktop, set-in range or countertop to protect from damage or dirt.

**2.** Determine which venting method (roof or wall venting or non-venting) you need to use. This range hood is shipped for vented installation.

## Prepare hood location

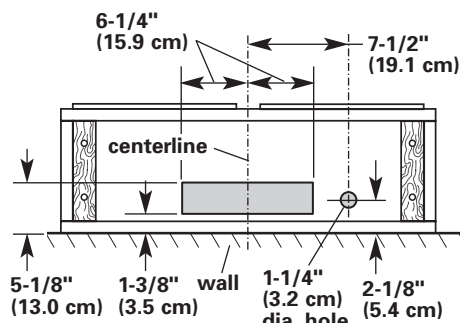


**3.** If cabinet has recessed bottom, add wood filler strips on each side. Locate screws to attach filler strips in locations shown.

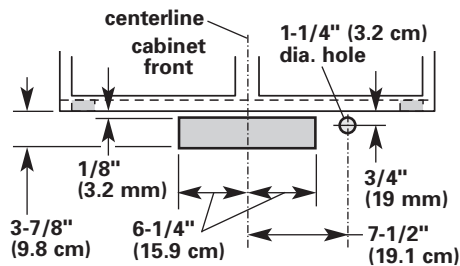
**4.** From the diagrams below, select the diagram for your installation.

**Vented installations:** Cut the vent system and electrical wiring access holes as required. Either wiring hole can be used.

**Non-vented installations:** Cut only the one 1-1/4" (3.2 cm) dia. wiring access hole required. If wiring through the top, use location shown in VERTICAL vent systems. If wiring through the back, use location shown in HORIZONTAL vent system.



**3-1/4" x 10" (8.3 x 25.4 cm)  
RECTANGULAR VERTICAL  
vent system**



**3-1/4" x 10" (8.3 x 25.4 cm)  
HORIZONTAL vent system**

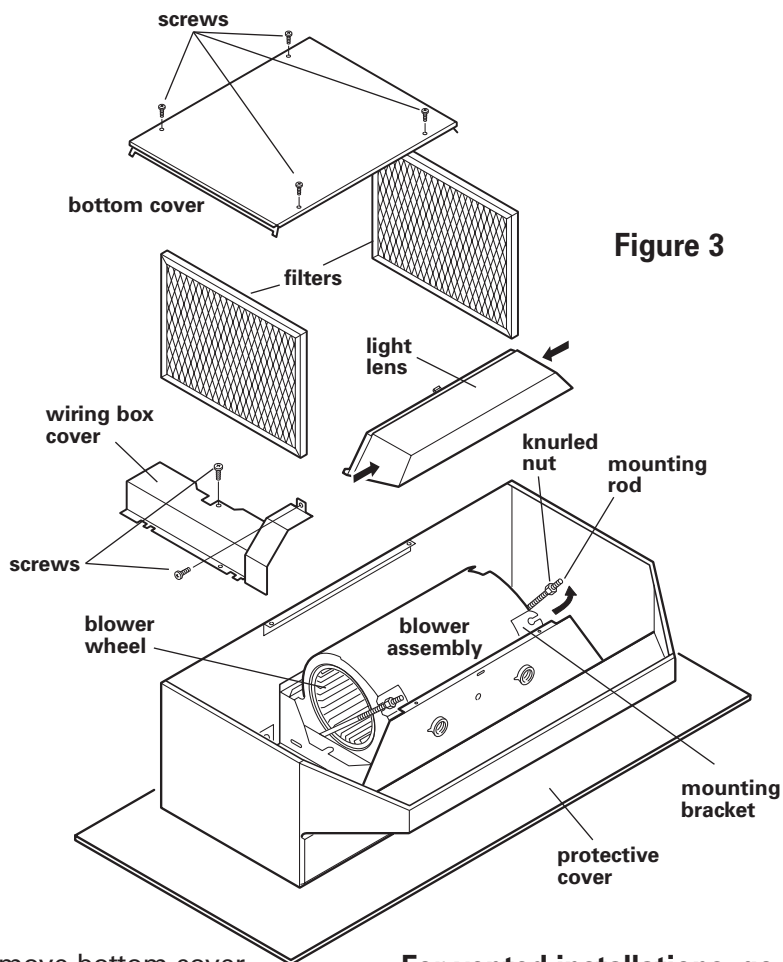
## Prepare and install the hood

### ! WARNING

**Excessive Weight Hazard**  
Use two or more people to move and install range hood.  
Failure to do so can result in back or other injury.

For Steps 5 through 10, refer to Figure 3.

**5.** Set hood upside down on a protective covering such as cardboard or large towel.



**Figure 3**

**6.** Remove bottom cover screws and bottom cover.

**7.** Remove filters.

**8.** Remove wiring box cover and screws.

**9.** To make the hood lighter and easier to install, it is recommended that the blower assembly be removed.

To remove:

- Disconnect blower wiring plug.
- Loosen, but do not remove, knurled nuts on mounting rods. Slip rods out of blower mounting brackets.
- Lift blower out and set aside.

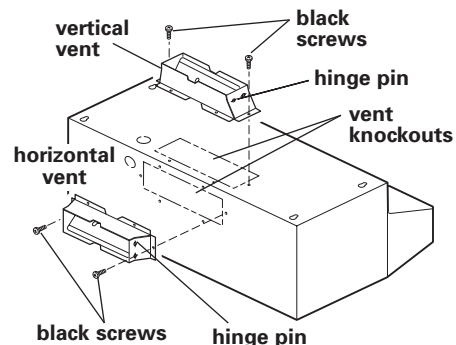
**10.** Remove light lens. Squeeze sides of lens toward center to free lens tabs and lift lens out.

**11.** Depending on your installation, remove either back or top wiring knockout.

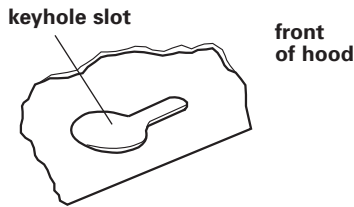
**For vented installations, go to Step 12a.**

**For non-vented installations, go to Step 13.**

**12a.** Depending on your installation, remove either back or top vent knockout.



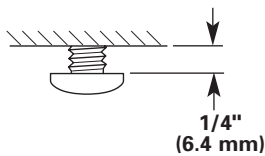
**12b.** Attach the damper/vent connector to the hood. Use the two black sheet metal screws provided in the parts bag. Note: If wall cap is directly behind vent connector, the dampers in the connector and wall cap MUST NOT interfere with each other. Remove the vent connector damper if they interfere.



**13.** Lift the range hood up under cabinet and determine final position. Mark on the underside of cabinet the location of the four keyhole mounting slots. Set range hood aside on a protected surface.



**14.** Use 1/8" (or 3 mm) drill bit and drill 4 pilot holes as shown.



**15.** Remove the 4 hood mounting screws from the parts bag and install in pilot holes. Leave screw heads away from filler strips or cabinet bottom about 1/4" (6.4 cm)

**16.** If using direct wiring, make sure power is disconnected, and pull about 12" (30 cm) of wire through wall or cabinet and into opening.

**17.** Lift range hood into final position, feeding electrical wire through wiring opening. Position the range hood so that the large end of the keyhole slots are over the screws. Then push the hood toward the wall so that the screws are in the neck of the slots. Tighten mounting screws to cabinet, making sure mounting screws are in narrow neck of slots. Make sure that damper blade, if used, rotates up and down freely.

**18.** Connect ventwork to hood. Seal joints with duct tape to make the secure and air tight.

## Make electrical connection

**⚠ WARNING**

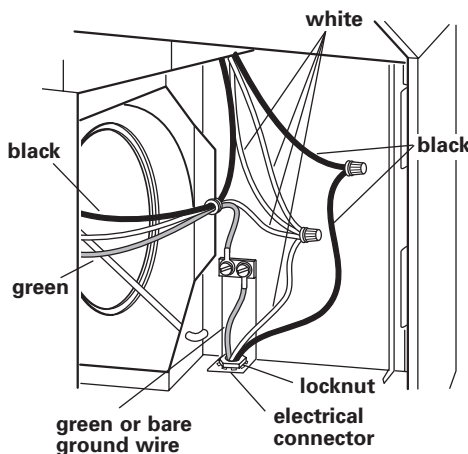


**Electrical Shock Hazard**

**Disconnect power before making electrical connections.**

**Connect ground wire to green ground screw in terminal box.**

**Failure to do so can result in death or electrical shock.**



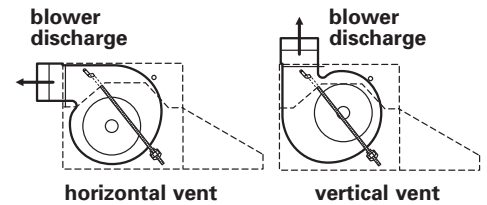
**19.** Make electrical connections. Install locknut on electrical connector and tighten securely. Connect white to white and black to black wires using twist-on connectors. Connect green or bare ground wire to the green ground screw.

**Using a U.L.-listed power supply cord-connection kit (U.S. only):**

**Follow Power Cord Kit instructions for connecting wiring.**

**20.** Replace wiring box cover and screws. Make sure that wires are not pinched between cover and hood.

**21.** Install two 75 watt max. bulbs, or one 75 watt and one 25 watt bulb for night-light use. Install 25 watt bulb in right-hand socket.

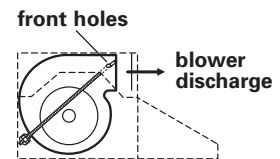


**22.** Reinstall blower.

**Vented installations:**

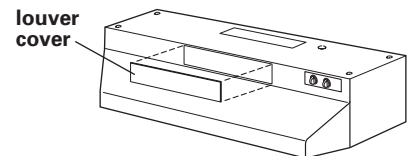
Reinstall blower. **Do not grasp blower by blower wheels.** Position blower so that blower discharge lines up with damper/vent connector and slip rods into mounting brackets on blower assembly. Tighten knurled nuts securely and reconnect blower plug.

**Non-vented installations:**



Reinstall blower. **Do not grasp blower by blower wheels.** Move mounting rods to front holes in hood support channels. Position blower so that blower discharge lines up with louvered opening on hood front.

Slip rods into mounting brackets and tighten knurled nuts securely. Reconnect blower plug.



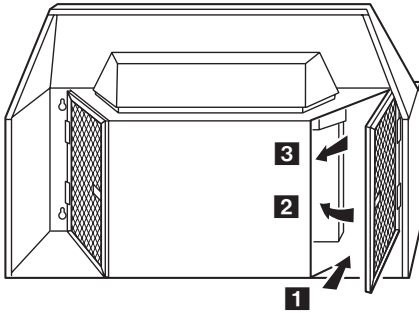
Remove louver cover on control panel. Pry cover off with screwdriver or knife.

**23.** Reinstall bottom cover (see Step 6).

**To get the most efficient use from your new range hood, read the "Use and Care Information" section. Keep your Whirlpool Installation Instructions and Use and Care Guide close to range hood for easy reference.**

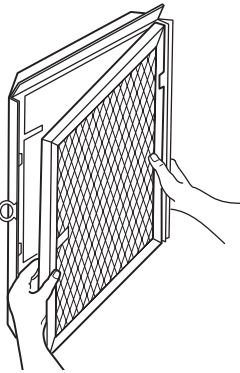
## 24. Install filters.

### Vented installations:

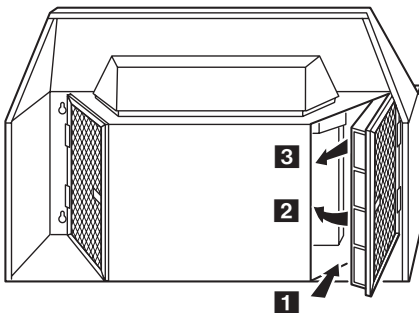


Make sure tabs are toward outside and bottom. Insert aluminum filter into upper track **1**, push in **2** and pull down **3**.

### Non-vented installations:



Snap aluminum filter onto front of charcoal filter. Make sure that tab on aluminum filter lines up with finger pull on charcoal filter.



Push filter assembly into upper track **1**. Flaps on filter will flex against top and sides of opening. Push assembly up until bottom of assembly clears lip on bottom cover. Push in **2** and pull assembly down **3**, collapsing pull ring against aluminum filters.

## Use and Care Information

**WARNING** — To reduce the risk of fire or electrical shock, do not use this fan with any solid-state speed control device.

**WARNING** — TO REDUCE THE RISK OF FIRE, ELECTRIC SHOCK, OR INJURY TO PERSONS, OBSERVE THE FOLLOWING:

Use this unit only in the manner intended by the manufacturer. If you have questions, contact the manufacturer. Before servicing or cleaning unit, switch power off at service panel and lock switch power off at service panel and lock service panel to prevent power from being switched on accidentally. When the service disconnecting means cannot be locked, securely fasten a prominent warning device such as a tag to the service panel.

**CAUTION:** For general ventilating use only. Do not use to exhaust hazardous or explosive materials and vapors.

**WARNING** — TO REDUCE THE RISK OF A RANGE TOP GREASE FIRE:

Never leave surface units unattended at high settings. Boilovers cause smoking and greasy spillovers that may ignite. Heat oils slowly on low or medium settings.

Always turn hood ON when cooking at high heat or when cooking flaming foods.

Clean ventilating fans frequently. Grease should not be allowed to accumulate on fan or filter.

Use proper pan size. Always use cookware appropriate for the size of the surface element.

**WARNING** — TO REDUCE THE RISK OF INJURY TO PERSONS IN THE EVENT OF A RANGE TOP GREASE FIRE, OBSERVE THE FOLLOWING:

**SMOTHER FLAMES** with a close-fitting lid, cookie sheet, or metal tray, then turn off the burner. **BE CAREFUL TO PREVENT BURNS.** If the flames do not go out immediately, **EVACUATE AND CALL THE FIRE DEPARTMENT. NEVER PICK UP A FLAMING PAN** — You may be burned.

**DO NOT USE WATER**, including wet dishcloths or towels — a violent steam explosion will result. Use an extinguisher **ONLY** if:

You know you have a Class ABC extinguisher, and you already know how to operate it.

The fire is small and contained in the area where it is started.

The fire department is being called.

You can fight the fire with your back to an exit.

## Operation

### Blower "SPEED"

Infinite speed slide control adjusts blower speed and sound level for quiet operation.

### Blower "ON"

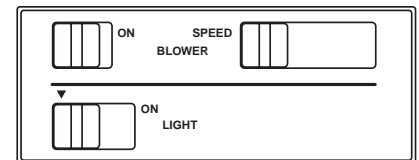
Turns blower ON and OFF. When this control is turned ON, blower will operate at preset speed of slide control.

### LIGHT

Three-position switch.

- First position (ON) - Turns both bulbs ON.
- Second position - Turns right-side bulb ON.
- Third position (▼) - Turns both bulbs OFF.

**DO NOT** install bulbs rated higher than 75 Watts. Install a smaller bulb on the right for a night light.



# Cleaning

## Aluminum mesh filters:

Remove each filter by grasping the tab at the bottom of filter, lifting up and swinging filter out to the side.

To reinstall, see Step 24a.

## Charcoal filters (non-vented installations):

The aluminum filter is the only washable part of the filter system. Snap it out of its frame and remove activated charcoal filter. Clean aluminum filter in a detergent solution of dishwasher.

The activated charcoal filter is not washable. It should last up to twelve months with normal use.

Reassemble filter and reinstall filter, see Step 24b.

## When it's time to replace your aluminum filter, or charcoal filter pads (non-vented installations):

1. For model series GZ8330 and GZ8336:

Order Aluminum Filter No. 4396389 (contains two filters).

Order Charcoal Filter Pad Kit No. 4396390 (contains two filter pads).

2. Call Whirlpool's Telesales line at 1-800-442-9991.
3. Give the Telesales Representative the part number needed.
4. The Representative will give you the current price.
5. Place your order using your Master Card®, Visa® or Discover® credit card.

6. If you wish: mail a check or money order to:

Whirlpool Corporation  
1900 Whirlpool Drive  
LaPorte, IN 46350-9980  
Attn: Accessory Accounting

7. Be sure to ask the Telesales Representative about the wide variety of other Whirlpool Product Accessories.

## Light lens:

Remove light lens (see Step 10). Wash in warm, sudsy water.

## Hood surfaces:

Do not allow an excessive accumulation of grease. Use a mild detergent suitable for painted surfaces. **DO NOT USE ABRASIVE CLOTH, STEEL WOOL PADS, OR SCOURING POWDERS.** Vacuum blower to clean. Do not immerse blower in water.

## Whirlpool Range Hood Warranty

LENGTH OF WARRANTY	WHIRLPOOL WILL PAY FOR
ONE-YEAR FULL WARRANTY From Date of Purchase	Labor and any parts of your range hood (except light bulbs and filters) which are defective in materials or workmanship.
WHIRLPOOL WILL NOT PAY FOR	
A. Any labor costs incidental to the replacement of defective parts. B. Consumable parts such as light bulbs and filters. C. Service calls to: <ol style="list-style-type: none"> <li>1. Correct the installation of the range hood.</li> <li>2. Instruct you how to use the range hood.</li> <li>3. Replace house fuses or correct house wiring.</li> </ol> D. Repairs when range hood is used in other than normal, single-family household use. E. Pickup and delivery. This product is designed to be repaired in the home. F. Damage to range hood caused by accident, misuse, fire, flood, act of God or use of products not approved by Whirlpool.	

**WHIRLPOOL AND INGLIS LIMITED DO NOT ASSUME ANY RESPONSIBILITY FOR INCIDENTAL OR CONSEQUENTIAL DAMAGES.** Some states or provinces do not allow the exclusion or limitation of incidental or consequential damages, so this exclusion or limitation may not apply to you.

**This warranty gives you specific legal rights, and you may also have other rights which may vary from state to state or province to province.**

**Outside the United States and Canada, a different warranty may apply. For details, please contact your authorized Whirlpool dealer.**



# Requesting Assistance or Service

## If you need assistance or service in U.S.A.

**Call the Whirlpool Customer Interaction Center toll-free at 1-800-253-1301.**

**Our consultants are available to assist you.**

When calling: Please know the purchase date, and the complete model and serial number of your appliance. This information will help us better respond to your request.



**Our consultants provide assistance with:**

- Features and specifications on our full line of appliances
- Installation information

- Use and maintenance procedures
- Accessory and repair parts sales
- Specialized customer assistance (Spanish speaking, hearing impaired, limited vision, etc.)
- Referrals to local dealers, service companies, and repair parts distributors

Whirlpool-designated service technicians are trained to fulfill the product warranty and provide after-warranty service, anywhere in the United States.

To locate the designated service company in your area, you can also look in your telephone directory Yellow Pages.

## If you need replacement parts

If you need to order replacement parts, we recommend that you only use factory-authorized parts. These parts will fit right and work right, because they are made to the same exacting specifications used to build every new Whirlpool appliance.

To locate factory-authorized parts in your area, call our Customer Interaction Center telephone number, your nearest authorized service center, or Whirlpool Factory Service at 1-800-442-1111.

## For further assistance

If you need further assistance, you can write to ask any questions or tell us about your concerns at:

Customer Interaction Center  
c/o Correspondence Dept.  
2000 North M-63  
Benton Harbor, MI 49022-2692

Please include a daytime phone number in your correspondence.

# If you need assistance or service in Canada

## 1. If the problem is not due to one of the items listed in "Check Operation"†...



Contact the dealer from whom you purchased your appliance, or call the Inglis Limited Consumer Assistance Centre toll-free, 8:30 a.m. – 6 p.m. (EST), at 1-800-235-0665.

## 2. If you need service†...

Contact your nearest Inglis Limited Appliance Service branch or designated servicing outlet to service your appliance. (See list below.)

†When asking for assistance or service, please provide a detailed description of the problem, your appliance's complete model and serial numbers, and the purchase date. This information will help us respond properly to your request.

### Direct service branches:

<b>BRITISH COLUMBIA</b>		1-800-665-6788
<b>ALBERTA</b>		1-800-661-6291
<b>ONTARIO</b> (except 807 area code)	Ottawa area	1-800-267-3456
	Outside the Ottawa area	1-800-807-6777
<b>MANITOBA, SASKATCHEWAN</b> and 807 area code in ONTARIO		1-800-665-1683
<b>QUEBEC</b>	Montreal (except South Shore)	1-800-361-3032
	South Shore Montreal	1-800-361-0950
	Quebec City	1-800-463-1523
	Sherbrooke	1-800-567-6966
<b>ATLANTIC PROVINCES</b>		1-800-565-1598

## For further assistance

If you need further assistance, you can write to Inglis Limited with any questions or concerns at:

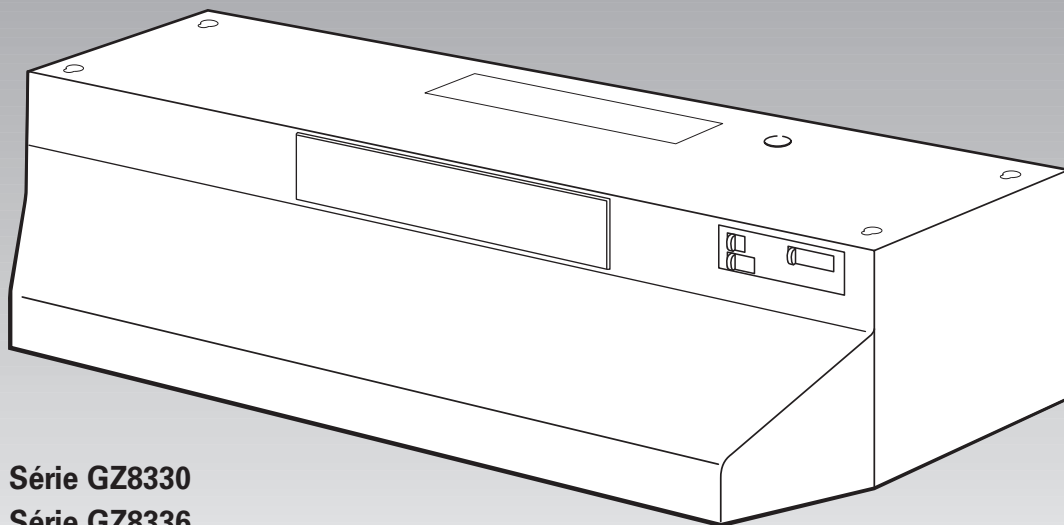
Consumer Relations Department  
Inglis Limited  
1901 Minnesota Court  
Mississauga, Ontario L5N 3A7

Please include a daytime phone number in your correspondence.

[www.inglislimited.com](http://www.inglislimited.com)

# Instructions d'installation et Guide d'utilisation et d'entretien

## Hotte d'extraction convertible 76,2 cm (30 po) ou 91,4 cm (36 po)



Série GZ8330  
Série GZ8336

[www.whirlpool.com](http://www.whirlpool.com)

**IMPORTANT :**  
**Lire et conserver  
ces instructions.**

### **IMPORTANT :**

**Installateur :** Remettre les instructions d'installation au propriétaire de l'appareil.

**Propriétaire :** Conserver les instructions d'installation pour consultation ultérieure.

**Conserver** les instructions d'installation à l'intention de l'inspecteur local des installations électriques.

### **Consultation rapide**

#### **Table des matières :**

##### Pages

<b>2</b>	Avant de commencer
<b>3</b>	Spécifications pour l'installation électrique
<b>3</b>	Dimensions du produit
<b>3</b>	Circuit de décharge de l'air
<b>4 - 7</b>	Les étapes de l'installation
<b>7 - 8</b>	Utilisation et entretien
<b>8</b>	Garantie
<b>9 - 10</b>	Demande d'assistance ou de service

Pièce N° 99043151A/8285188  
Part No. 99043151A/8285188

## Avant de commencer...

### Votre sécurité et celle des autres est très importante.

Nous donnons de nombreux messages de sécurité importants dans ce manuel, et sur votre appareil ménager. Assurez-vous de toujours lire tous les messages de sécurité et de vous y conformer.



Voici le symbole d'alerte de sécurité.

Ce symbole d'alerte de sécurité vous signale les dangers potentiels de décès et de blessures graves à vous et à d'autres.

Tous les messages de sécurité suivront le symbole d'alerte de sécurité et le mot «DANGER» ou «AVERTISSEMENT». Ces mots signifient :

### DANGER

**Risque possible de décès ou de blessure grave si vous ne suivez pas immédiatement les instructions.**

### AVERTISSEMENT

**Risque possible de décès ou de blessure grave si vous ne suivez pas les instructions.**

Tous les messages de sécurité vous diront quel est le danger potentiel et vous disent comment réduire le risque de blessure et ce qui peut se produire en cas de non-respect des instructions.

### Important : Respecter les prescriptions de tous les codes et règlements en vigueur.

C'est au propriétaire de l'appareil qu'incombe la responsabilité d'une installation correcte. Veiller à disposer de tout le matériel nécessaire pour réaliser une installation correcte. C'est à l'installateur qu'incombe la responsabilité de respecter les distances de dégagement spécifiées.

Inspecter l'emplacement où la hotte d'aspiration sera installée; choisir un endroit à distance des sources de courants d'air, comme fenêtres, portes et bouches de chauffage.

### Installation dans une résidence mobile

L'installation de la hotte doit être conforme aux prescriptions de la norme des É.-U. Manufactured Home Construction Safety Standards, titre 24 CFR, Partie 328 (anciennement Federal Standard for Mobile Home

Construction and Safety, titre 24, HUD, partie 280); lorsque cette norme n'est pas applicable, l'installation doit être réalisée en conformité avec les prescriptions de la dernière édition de la norme ANSI A225.1/NFPA 501A\* (Manufactured Home Installation 1982 - Manufactured Home Sites, Communities and Setups) et/ou des codes locaux en vigueur.

### AVERTISSEMENT - POUR RÉDUIRE LE RISQUE D'INCENDIE, CHOC ÉLECTRIQUE OU BLESSURE, RESPECTER LES INSTRUCTIONS SUIVANTES :

Tout travail d'installation ou câblage électrique doit être réalisé par une personne qualifiée, dans le respect des prescriptions de tous les codes et normes applicables, y compris les codes du bâtiment et de protection contre les incendies. Le fonctionnement de cet appareil peut modifier la circulation de l'air et affecter le fonctionnement d'un appareil utilisant un combustible. Respecter les directives du fabricant de l'équipement de chauffage et les prescriptions des normes de sécurité - comme celles publiées par la National Fire Protection Association (NFPA) et l'American Society of Heating, Refrigeration and Air Conditioning Engineers (ASHRAE) - et les prescriptions des autorités réglementaires locales.

Lors d'opérations de découpage et de perçage dans un mur ou plafond, veiller à ne pas endommager les câblages électriques ou canalisations qui peuvent s'y trouver.

Le conduit d'évacuation associé à un ventilateur doit toujours décharger l'air à l'extérieur.

AVERTISSEMENT - Pour réduire le risque d'incendie, utiliser uniquement des conduits métalliques.

Cet appareil doit être relié à la terre.

**Cette hotte a été configurée à l'usine pour le raccordement à un conduit d'évacuation.** Pour une installation sans raccordement à un conduit d'évacuation, acheter chez le revendeur l'ensemble de filtres à charbon (produit n° 4396390) (2 filtres).

## Outillage et matériel nécessaires pour l'installation :

- tournevis à lame plate
- pince
- perceuse
- règle
- foret de 3 cm (1 1/4 po)
- foret de 3 mm (1/8 po) pour les avant-trous
- crayon

### Matériel nécessaire pour l'installation avec décharge à l'extérieur :

- compas ou gabarit circulaire de 20,3 cm (8 po)
  - cisaille de ferblantier
  - scie à guichet
  - scie sauteuse
  - ruban adhésif pour conduit
  - Pour conduit d'évacuation cylindrique, raccord de transition 81,3 cm x 25,4 cm (3 1/4 x 10 po) à diamètre 15,2 cm (6 po).
  - Clapet rond de 15,2 cm (6 po) – pour un conduit d'évacuation de diamètre 15,2 (6 po)
- Placards avec fond en retrait :
- tringles de remplissage de largeur de 5,8 cm (2,2 po). Longueur et épaisseur selon les dimensions de la cavité de retrait.
  - 4 vis à bois à tête plate ou vis à métaux avec rondelle et écrou pour la fixation des tringles.

## Composants fournis :

- 2 filtres en aluminium
- raccord de connexion 8,3 x 25,4 cm (3-1/4 x 10 po) pour conduit de décharge
- sachet de petites pièces

# Spécifications pour l'installation électrique

**Important :** Respecter les prescriptions de tous les codes et règlements en vigueur.

C'est au client qu'incombe la responsabilité de :

- Contacter un électricien qualifié pour l'installation.
- Veiller à ce que l'installation électrique soit réalisée d'une manière adéquate et en conformité avec les prescriptions du Code national des installations électriques ANSI/NFPA 70 - dernière édition\*, ou des normes CSA C22.1-94/Code canadien des installations électriques (partie 1) et C22.2 N° 0-M91 - dernière édition\*\*, et avec les prescriptions de tous les codes et règlements locaux en vigueur.

Si un conducteur distinct de liaison à la terre est utilisé lorsque le code le permet, on recommande qu'un électricien qualifié vérifie que la liaison à la terre est adéquate.

L'appareil doit être alimenté par un circuit de 120 volts, 60 Hz, CA seulement, 15 A, avec un fusible sur chaque conducteur.

Ne pas utiliser une tuyauterie de gaz pour la liaison à la terre.

En cas d'incertitude quant à la qualité de la liaison à la terre de la hotte,

consulter un électricien qualifié.

**Ne pas installer un fusible en série avec le conducteur neutre ou le conducteur de liaison à la terre**

**IMPORTANT :**

**Conserver les instructions d'installation à l'intention de l'inspecteur local des installations électriques.**

**La hotte doit être raccordée au réseau électrique uniquement avec des conducteurs de cuivre.**

La hotte doit être raccordée directement au coupe-circuit avec fusible ou au disjoncteur par l'intermédiaire d'un câble à conducteurs de cuivre, à blindage métallique flexible ou à gaine non métallique. Un passe-fil (homologation UL ou CSA) doit être installé à chaque extrémité du câble d'alimentation. Le calibre des conducteurs (CUIVRE SEULEMENT) et les connexions doivent être compatibles avec la demande de courant de l'appareil spécifiée sur la plaque signalétique.

La taille des conducteurs doit satisfaire les prescriptions du Code national des installations électriques ANSI/NFPA 70 - dernière édition\*, ou des normes CSA C22.1-94/Code canadien des installations électriques (partie 1) et C22.2 N° 0-M91 - dernière édition\*\*, et les prescriptions de tous les codes et règlements locaux en vigueur.

Un serre-câble (agrément UL ou CSA) doit être installé à chaque extrémité du câble d'alimentation (sur la hotte et sur la boîte de connexion).

Pour les États-Unis seulement : Pour une hotte alimentée par un cordon d'alimentation, on DOIT utiliser un cordon de branchement entre la cuisinière et la hotte (homologation U.L.). Ce produit n'a pas été évalué par rapport aux normes canadiennes.

On peut obtenir aux adresses suivantes des exemplaires des normes mentionnées :

\* National Fire Protection Association  
One Batterymarch Park  
Quincy, Massachusetts 02269

\*\*CSA International  
8501 East Pleasant Valley Road  
Cleveland, Ohio 44131-5575

## Circuit de décharge de l'air

**Le système doit décharger l'air à l'extérieur.**

**Ne pas terminer le conduit d'évacuation au-dessus d'un plafond ou dans autre espace fermé.**

**Ne pas utiliser une bouche de décharge murale de 10,2 cm (4 po) normalement utilisée pour un équipement de buanderie.**

**Ne pas utiliser des conduits de plastique.**

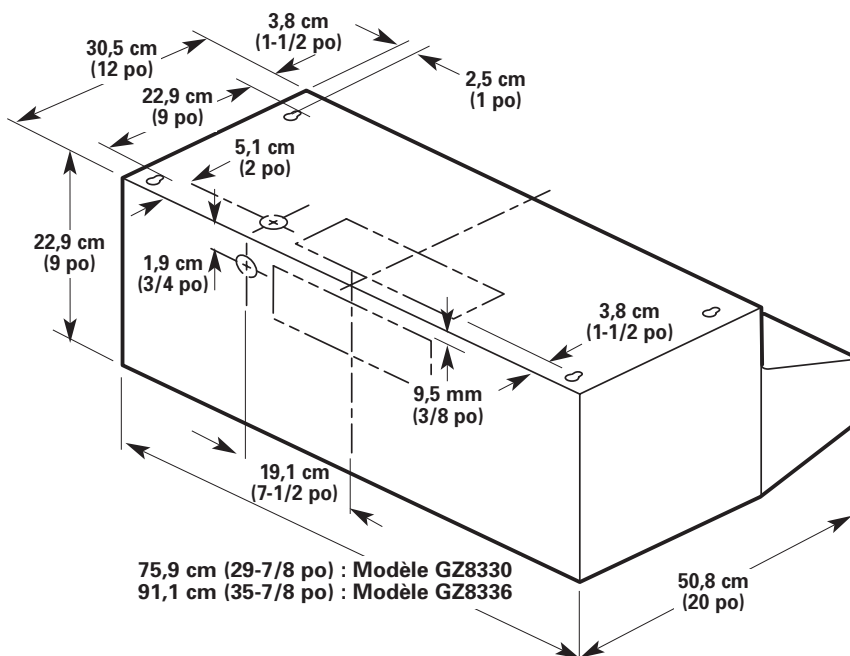
**Le système d'évacuation nécessaire pour l'installation n'est pas inclus.**

Déterminer la méthode appropriée pour la décharge à l'extérieur. On recommande que le conduit de décharge soit installé avant l'installation de la hotte.

NOTE : Pour une configuration d'installation avec recyclage (sans décharge) appliquer les instructions de la page 5.

Pour optimiser la performance, minimiser la longueur du circuit et le nombre de coudes. La section du circuit d'évacuation devrait être uniforme. Ne pas installer deux coudes ensemble. Utiliser du ruban adhésif pour conduit pour assurer l'étanchéité de chaque jointure du circuit. Le circuit peut effectuer la décharge à travers le toit ou à travers un mur. Calfeutrer pour réaliser l'étanchéité au point de traversée du mur ou du toit par le conduit d'évacuation. On recommande l'évacuation verticale à travers le toit à l'aide d'un conduit circulaire de diamètre 17,8 cm (7 po); ce système sera le plus efficace et le plus silencieux.

## Dimensions du produit



Les figures 1 et 2 présentent les méthodes d'évacuation communément utilisées et les matériaux employés.

### Décharge verticale, à travers le toit

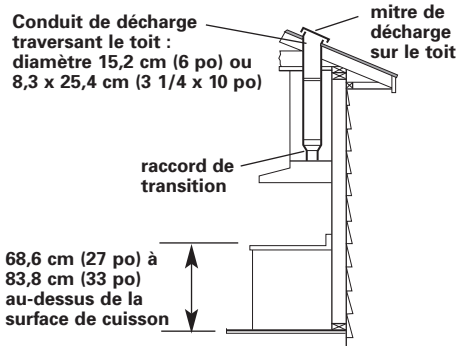


Figure 1

### Décharge horizontale, à travers le mur

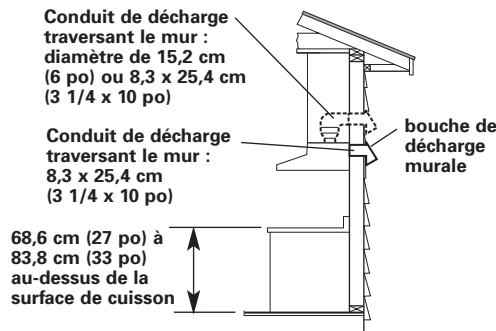
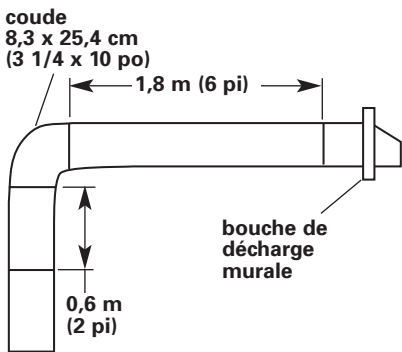


Figure 2

### Longueur recommandée du circuit d'évacuation

Utiliser un circuit d'une longueur maximale de 21,3 m (70 pi), réalisé en conduit rectangulaire de 8,3 x 25,4 cm (3 1/4 x 10 po) ou conduit rond de dia. 15,2 cm (6 po) ou plus. Si du conduit rond de 7 po (17,8 cm) est utilisé, la longueur maximale sera de 24,4 m (80 pi). Pour obtenir la meilleure performance, ne pas incorporer plus de 3 coudes à 90° au circuit. Pour calculer la longueur effective du circuit, inclure la longueur équivalente de chaque section ou raccord utilisé. Voir les exemples ci-dessous.

### Circuit de conduit 8,3 x 25,4 cm (3 1/4 x 10 po)

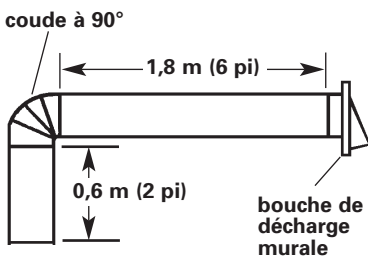


<b>Longueur maximale</b>	<b>= 21,3 m (70 pi)</b>
1 - coude à 90°	= 1,5 m (5 pi)
Section droite 2,4 m (8 pi)	= 2,4 m (8 pi)
1 - bouche de décharge murale	= 0 m (0 pi)
<b>Longueur équivalente totale de conduit 8,3 x 25,4 cm (3 1/4 x 10 po)</b>	<b>= 3,9 m (13 pi)</b>

### Raccords standard recommandés

<b>Coude à 90°</b> 8,3 x 25,4 cm (3 1/4 x 10 po) = 1,5 m (5 pi)	<b>Coude plat</b> 8,3 x 25,4 cm (3 1/4 x 10 po) = 3,7 m (12 pi)	<b>Bouche de décharge murale</b> 8,3 x 25,4 cm (3 1/4 x 10 po) = 0 m (0 pi)

### Circuit de décharge de diamètre 15,2 cm (6 po)



<b>Longueur maximale*</b>	<b>= 21,3 m (70 pi)</b>
1 - coude à 90°	= 1,5 m (5 pi)
1 - bouche de décharge murale	= 0 m (0 pi)
Section droite 2,4 m (8 pi)	= 2,4 m (8 pi)
<b>Longueur équivalente totale de conduit 15,2 cm (6 po)</b>	<b>= 3,9 m (13 pi)</b>

### Raccords standard recommandés

<b>Coude à 90°</b> = 1,5 m (5 pi)	<b>Coude à 45°</b> = 0,8 m (2,5 pi)	<b>Bouche de décharge murale</b> 15,2 cm (6 po) = 0 m (0 pi)
<b>Raccord de transition</b> 8,3 x 25,4 cm (3 1/4 x 10 po)/15,2 cm (6 po) = 1,4 m (4,5 pi)	<b>Raccord de transition à 90°</b> 8,3 x 25,4 cm (3 1/4 x 10 po) / diamètre 15,2 cm (6 po) = 1,5 m (5 pi)	

\* Si un conduit rond de 17,8 cm (7 po) est utilisé, la longueur maximale du circuit sera de 24,4 m (80 pi).

## Commencer avec... la hotte dans la cuisine.

Placer une feuille de contreplaqué ou de carton sous la cuisinière avant de la déplacer pour ne pas endommager le revêtement de sol.

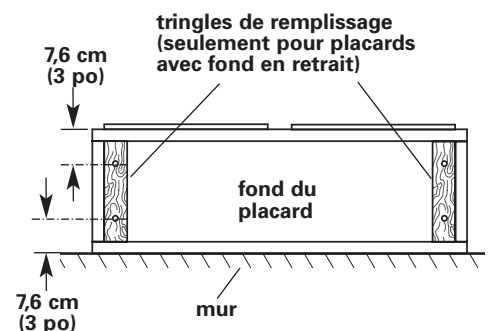
Protéger le plan de travail, la table de cuisson ou la cuisinière encastrée avec un matériau protecteur épais.

**1.** Déconnecter la cuisinière autonome et la sortir de sa cavité pour accéder plus facilement aux placards muraux et au mur arrière. Placer un matériau protecteur épais sur la table de cuisson ou le plan de travail pour la protection contre les dommages et souillures.

4

**2.** Déterminer quelle méthode de décharge de l'air sera utilisée (à travers le toit, à travers le mur, ou sans évacuation). Lors de l'expédition, cette hotte est configurée pour utilisation avec évacuation.

### Préparation de l'emplacement de l'installation

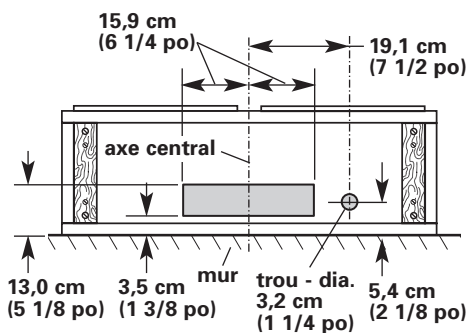


**3.** Si le placard comporte un fond en retrait, ajouter une tringle de remplissage de chaque côté. Positionner les vis de fixation des tringles aux emplacements indiqués.

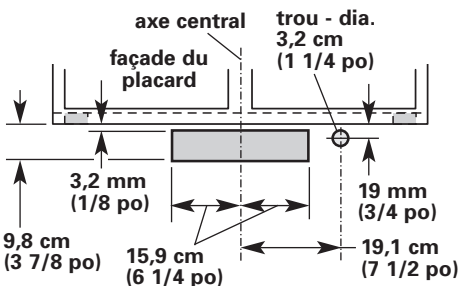
**4.** À l'aide des illustrations ci-dessous, choisir la configuration d'installation.

**Installations avec conduit de décharge :** Découper les orifices nécessaires pour le câblage électrique et le conduit de décharge. L'un ou l'autre des trous peut être utilisé pour le câblage.

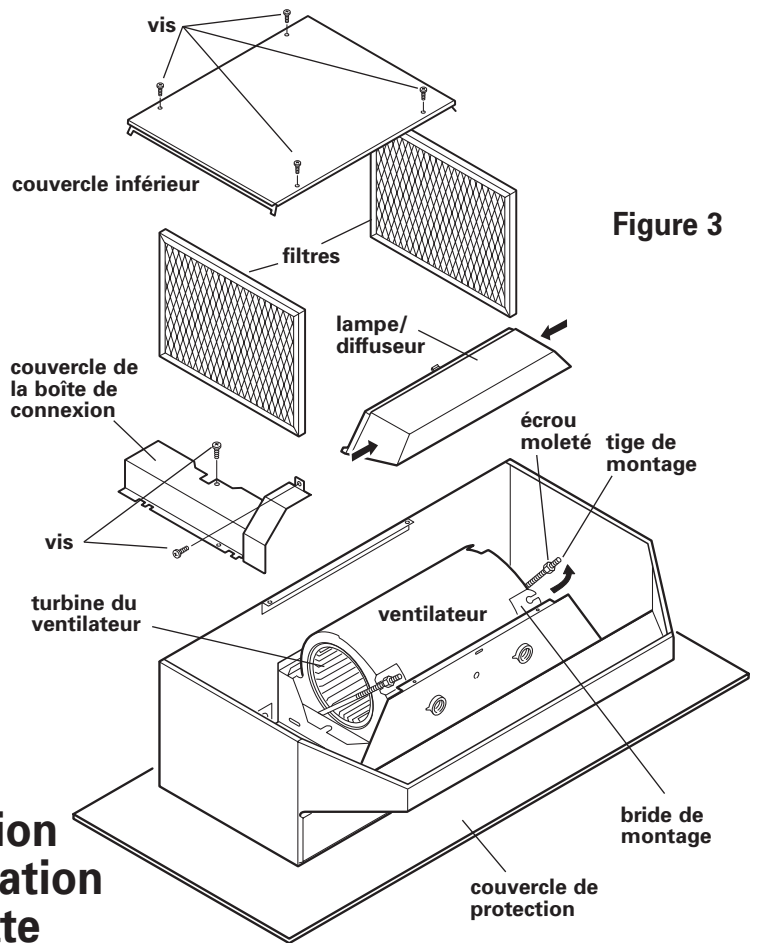
**Installations sans conduit de décharge :** Percer seulement un trou de 3,2 cm (1 1/4 po) pour le passage du câblage. Pour l'arrivée du câblage par le sommet, utiliser l'emplacement indiqué pour un circuit de décharge VERTICAL. Pour l'arrivée du câblage par l'arrière, utiliser l'emplacement indiqué pour le circuit de décharge HORIZONTAL.



**Conduit d'évacuation VERTICAL/RECTANGULAIRE**  
8,3 x 25,4 cm (3 1/4 x 10 po)



**Conduit d'évacuation HORIZONTAL**  
8,3 x 25,4 cm (3 1/4 x 10 po)



**Figure 3**

## Préparation et installation de la hotte

### **AVERTISSEMENT**

**Danger - Poids excessif**  
Deux personnes ou plus doivent participer aux opérations de manipulation de la hotte.  
Le non-respect de cette instruction peut provoquer des blessures du dos ou autres blessures.

Pour les étapes 5 à 10 inclusivement, voir la figure 3.

**5.** Placer la hotte à l'envers sur un matériau de protection (carton ou grande serviette).

**6.** Ôter les vis du couvercle inférieur et le couvercle inférieur.

**7.** Ôter les filtres.

**8.** Ôter les vis et le couvercle de la boîte de connexion.

**9.** Il sera utile d'enlever le ventilateur; la hotte sera ainsi plus légère pour l'installation.

Pour la dépose :

a) Débrancher le cordon d'alimentation du ventilateur.

b) Desserrer (sans les enlever) les écrous moletés sur les tiges de montage. Tirer les tiges hors des brides de montage du ventilateur.

**Important :** Ne pas saisir le ventilateur par les éléments de turbine; ceci pourrait leur faire subir des dommages.

c) Soulever le ventilateur pour l'extraire et le placer de côté.

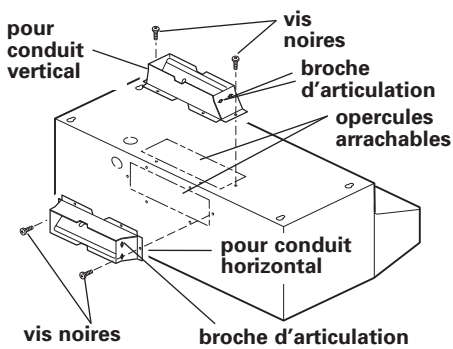
**10.** Ôter le diffuseur de lumière. Pousser les deux bords du diffuseur vers le centre pour dégager les pattes de retenue et soulever pour enlever le diffuseur.

**11.** Selon la configuration d'installation, enlever l'opercule du passage de câblage de l'arrière ou du sommet.

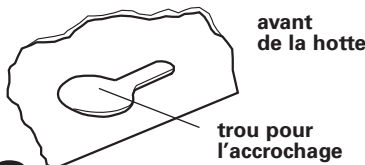
**Pour une installation avec décharge à l'extérieur, passer à l'étape 12a.**

**Pour une installation avec recyclage, passer à l'étape 13.**

**12a.** Selon la configuration d'installation, enlever l'opercule arrachable de l'arrière ou du sommet.



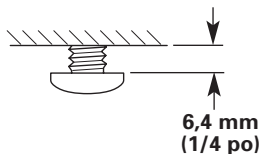
**12b.** Fixer le raccord/clapet sur la hotte. Utiliser deux vis à tôle noires fournies dans le sachet de petites pièces. Note : Si la bouche de décharge murale est située directement derrière le raccord, on doit veiller à ce qu'il n'y ait PAS d'interférence entre le clapet (dans le raccord) et la bouche de décharge murale. S'il y a une interférence, enlever le raccord/clapet.



**13.** Soulever la hotte sous le placard, et déterminer l'emplacement final. Marquer la position des 4 trous d'accrochage sur la face inférieure des placards. Placer la hotte en attente sur une surface protégée.



**14.** Percer les quatre avant-trous nécessaires avec un foret de 3 mm (1/8 po) tel qu'indiqué.



**15.** Prendre les 4 vis de montage dans le sachet de petites pièces; placer les 4 vis dans les avant-trous. Laisser la tête de chaque vis en retrait d'environ 6,4 cm (1/4 po) par rapport aux tringles de remplissage ou au bas du placard.

**16.** Pour une installation avec câblage direct, vérifier que le câble n'est pas sous tension, et tirer environ 30 cm (12 po) du câble à travers le mur ou le placard, à travers l'ouverture.

**17.** Soulever la hotte jusqu'à sa position finale et faire passer le câble électrique à travers l'ouverture du câblage. Positionner la hotte pour que la partie large de chaque trou d'accrochage coïncide avec la tête de vis. Pousser ensuite la hotte vers le mur pour positionner la partie étroite des trous d'accrochage sous les têtes de vis. Serrer les vis de montage; vérifier que la tête de chaque vis est placée au niveau de la partie étroite du trou d'accrochage correspondant. Le cas échéant, vérifier que le volet de réglage peut pivoter librement dans les deux directions.

**18.** Raccorder le conduit d'évacuation à la hotte. Assurer l'étanchéité à l'air des jointures avec du ruban adhésif pour conduits.

## Raccordement au réseau électrique

### ⚠️ AVERTISSEMENT

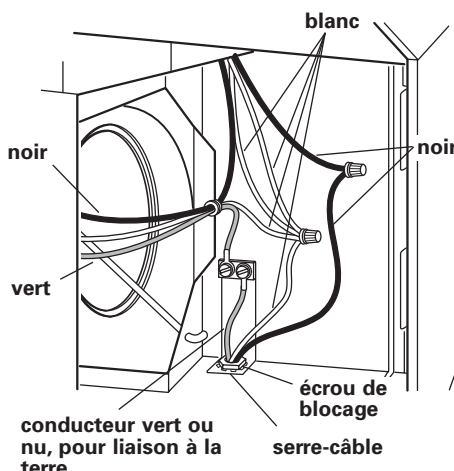


Risque de choc électrique

Interrompre l'alimentation électrique du circuit avant d'effectuer les raccordements.

Relier le conducteur de liaison à la terre à la vis verte dans la boîte de connexion.

Le non-respect de ces instructions peut susciter un décès ou un choc électrique.



**19.** Exécuter les raccordements électriques. Installer l'écrou de blocage sur le serre-câble et bien serrer. Raccorder les conducteurs avec des

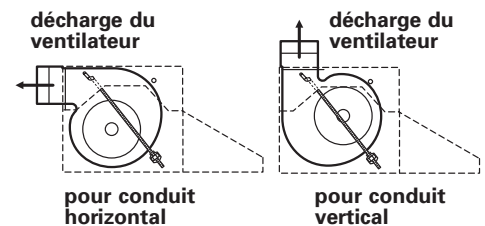
connecteurs à vis (blanc-blanc et noir-noir). Connecter le conducteur vert ou nu à la vis verte de liaison à la terre.

## Utilisation d'un cordon de raccordement – homologation UL (É.-U. seulement) :

Pour le raccordement des conducteurs, exécuter les instructions fournies avec le cordon de raccordement.

**20.** Réinstaller le couvercle de la boîte de connexion et les vis. Veiller à ne coincer aucun conducteur entre le couvercle et la hotte.

**21.** Installer deux lampes de 75 watts maximum, ou une lampe de 75 watts et une lampe de 25 watts pour l'éclairage nocturne. Installer la lampe de 25 watts dans la douille du côté droit.

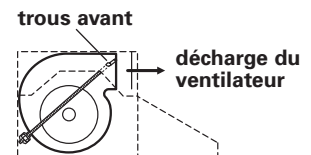


**22.** Réinstaller le ventilateur.

Installations avec conduit de décharge :

Réinstaller le ventilateur. **Ne pas saisir le ventilateur par les turbines.** Positionner le ventilateur de telle manière que l'orifice de décharge du ventilateur soit aligné avec le raccord/clapet; enfiler les tiges dans les brides de montage du ventilateur. Bien serrer les écrous moletés. Reconnecter la fiche de branchement du ventilateur.

Installations avec recyclage :



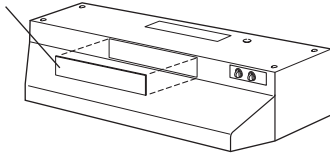
Réinstallation du ventilateur. **Ne pas saisir le ventilateur par les turbines.** Engager les tiges de montage dans les trous avant des tringles de support de la hotte. Positionner le ventilateur pour aligner l'orifice de décharge du ventilateur avec les ouvertures à claire-voies de



l'avant de la hotte.

Insérer les tiges dans les brides de montage et bien serrer les écrous moletés. Reconnecter la fiche de branchement du ventilateur.

**couvercle avec  
claire-voies**



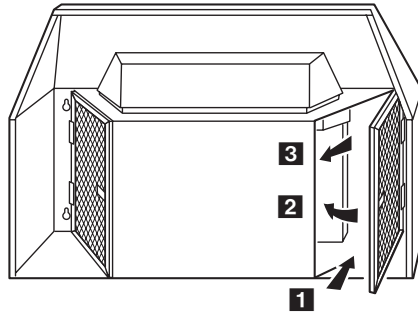
Ôter le couvercle à claire-voies du tableau de commande. (On peut utiliser un tournevis ou un couteau.)

**23.** Reinstall bottom cover (see Step 6).

**Pour pouvoir faire le meilleur usage de cette nouvelle hotte, lire la section « Utilisation et entretien ». Conserver les instructions d'installation Whirlpool et le guide d'utilisation et d'entretien pour pouvoir les consulter facilement.**

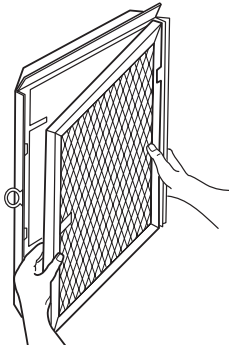
**24.** Installer les filtres.

**Installation avec conduit de décharge :**

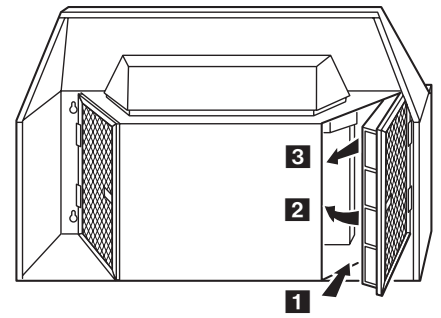


Veiller à ce que les pattes soient orientées vers l'extérieur et le bas. Insérer le filtre d'aluminium dans les rainures supérieures **1**; pousser dans **2** et tirer vers le bas **3**.

**Installation avec recyclage :**



Emboîter le filtre d'aluminium à l'avant du filtre à charbon. Veiller à ce que les pattes du filtre d'aluminium soient alignées avec la tirette d'extraction du filtre à charbon.



Pousser l'ensemble des filtres dans la rainure supérieure **1**. Les rabats du filtre assureront le maintien contre les bords de l'ouverture, au sommet et sur les côtés. Pousser l'ensemble vers le haut jusqu'à ce que le bas de l'ensemble passe au-delà de la lèvre du couvercle inférieur. Pousser dans **2** et tirer l'ensemble vers le bas **3**. La bague de la tirette doit s'écraser contre les filtres d'aluminium.

**AVERTISSEMENT** - Pour réduire le risque d'incendie ou de choc électrique, ne pas utiliser ce ventilateur en conjonction avec un dispositif de réglage de la vitesse à semi-conducteurs.

**AVERTISSEMENT - POUR MINIMISER LE RISQUE D'INCENDIE, CHOC ÉLECTRIQUE OU DOMMAGES CORPORELS, RESPECTER LES INSTRUCTIONS SUIVANTES :**

Utiliser cet appareil uniquement dans les applications envisagées par le fabricant. Pour toute question, contacter le fabricant. Avant d'entreprendre un travail d'entretien ou de nettoyage, interrompre l'alimentation de la hotte au niveau du tableau de disjoncteurs, et verrouiller le tableau de disjoncteurs pour empêcher tout rétablissement accidentel de l'alimentation du circuit. Lorsqu'il n'est pas possible de verrouiller le tableau de disjoncteurs ou le dispositif d'interruption de l'alimentation, placer sur le tableau de disjoncteurs une étiquette d'avertissement préétablie interdisant le rétablissement de l'alimentation.

**MISE EN GARDE :** Cet appareil est conçu uniquement pour la ventilation générale. Ne pas l'utiliser pour l'évacuation de matières ou vapeurs dangereuses ou explosives.

**AVERTISSEMENT - POUR MINIMISER LE RISQUE D'UN FEU DE GRAISSE SUR LA TABLE DE CUISSON :**

Ne pas laisser une cuisson en cours à feu vif sans surveillance. Un débordement peut provoquer la génération de fumée ou un feu de graisse. Utiliser une puissance de chauffage moyenne ou basse pour faire chauffer de l'huile lentement.

Faire toujours fonctionner le ventilateur de la hotte lors d'une cuisson à feu vif ou pour flamber un mets.

Veiller à maintenir la propreté du ventilateur, des filtres et des surfaces où de la graisse peut s'accumuler. Nettoyer fréquemment.

Utiliser toujours des ustensiles et récipients de cuisson appropriés, correspondant au type et à la quantité des aliments à préparer, et à la taille de l'élément chauffant.

**AVERTISSEMENT - POUR RÉDUIRE LE**

**RISQUE DE DOMMAGES CORPORELS APRÈS LE DÉCLENCHEMENT D'UN FEU DE GRAISSE SUR LA CUISINIÈRE, APPLIQUER LES RECOMMANDATIONS SUIVANTES :**

Placer sur le récipient un couvercle bien ajusté, une tôle à biscuits ou un plateau métallique **POUR ÉTOUFFER LES FLAMMES**, puis éteindre le brûleur. **VEILLER À ÉVITER LES BRÛLURES**. Si les flammes ne s'éteignent pas immédiatement, **ÉVACUER LA PIÈCE ET CONTACTER LES POMPIERS. NE JAMAIS PRENDRE EN MAIN UN RÉCIPENT ENFLAMMÉ** - le risque de brûlure est élevé.

**NE PAS UTILISER D'EAU** ni un torchon humide - ceci pourrait provoquer une explosion de vapeur brûlante. Utiliser un extincteur **SEULEMENT** si :

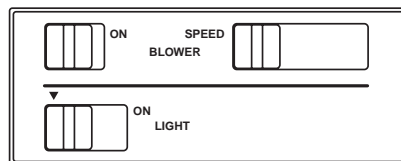
Il s'agit d'un extincteur de classe ABC, dont on connaît le fonctionnement.

Il s'agit d'un petit feu encore limité à l'endroit où il s'est déclaré.

Les pompiers ont été contactés.

Il est possible de garder le dos orienté vers une sortie pendant l'opération de lutte contre le feu.

## Fonctionnement



### **SPEED – Vitesse du ventilateur**

La commande à glissière du ventilateur permet une variation continue de la vitesse, et la minimisation du bruit de fonctionnement.

### **ON – Mise en marche du ventilateur**

Commande de mise en marche et d'arrêt du ventilateur. À la position ON, le ventilateur fonctionne à la vitesse prédéfinie par la position de la commande de vitesse.

### **LIGHT – Éclairage**

Commutateur à trois positions.

- Première position (ON) – allumage des deux lampes.
- Deuxième position – allumage de la lampe de droite.
- Troisième position (▼) – extinction des deux lampes.

**NE JAMAIS** installer une lampe de plus de 75 watts. Installer une lampe de plus basse puissance dans la douille de droite pour l'éclairage nocturne.

# Nettoyage

## Filtres d'aluminium :

Pour enlever chaque filtre, saisir la patte en bas du filtre, puis soulever et faire pivoter le filtre vers le côté.

Pour la réinstallation, voir l'étape 24a.

## Filtres à charbon (installations avec recyclage) :

Seul le filtre d'aluminium est lavable. Extraire le filtre à charbon de son logement pour l'enlever. Nettoyer le filtre d'aluminium dans une solution de détergent à lave-vaisselle.

Le filtre à charbon n'est pas lavable. Sa longévité est d'environ 12 mois en service normal.

Réassembler les composants du filtre; réinstaller le filtre – voir l'étape 24b.

## Lorsqu'il est temps de remplacer le filtre d'aluminium ou les filtres à charbon (installations avec recyclage) :

1. Pour les modèles série GZ8330 ou GZ8336 :  
Commander le filtre aluminium n° 4396389 (lot de 2 filtres).  
Commander l'ensemble de filtres à charbon n° 4396390 (lot de 2 filtres).
2. Téléphoner à Whirlpool Telesales au 1-800-442-9991.
3. Communiquer au représentant le numéro de la pièce nécessaire.
4. Le représentant communiquera le prix en vigueur.
5. Passer commande avec paiement par carte de crédit Master Card®, Visa® ou Discover®.
6. On peut également payer par chèque ou mandat. Envoyer à l'adresse suivante :  
Whirlpool Corporation  
1900 Whirlpool Drive  
LaPorte, IN 46350-9980  
Attention : Accessory Accounting

7. Le représentant Telesales peut communiquer de l'information sur les nombreux autres produits et accessoires Whirlpool.

## Diffuseur de lumière :

Ôter le diffuseur (voir Étape 10). Laver le diffuseur dans de l'eau savonneuse tiède.

## Surfaces de la hotte :

Ne pas laisser une quantité excessive de graisse s'accumuler. Utiliser un détergent doux utilisable sur les surfaces peintes. Ne pas utiliser de produit abrasif, tampon de laine d'acier ou poudre de récurage. Utiliser un aspirateur pour nettoyer le ventilateur. Ne pas immerger le ventilateur dans de l'eau.

## Garantie Whirlpool – Hotte d'extraction

DURÉE DE PÉRIODE DE GARANTIE	WHIRLPOOL PAIERA POUR
GARANTIE COMPLÈTE DE UN AN À compter de la date d'achat	Pièces et main-d'œuvre (sauf lampes et filtres) pour l'élimination d'un vice de matériau ou de fabrication.
WHIRLPOOL NE PAIERA PAS POUR	
A. Frais de main-d'œuvre correspondant au remplacement d'une pièce défectueuse.	
B. Pièces consommables comme lampes et filtres.	
C. Interventions d'un technicien pour : 1. Rectifier l'installation de la hotte. 2. Formation de l'utilisateur. 3. Remplacement des fusibles ou rectification du câblage électrique.	
D. Réparations imputables à l'utilisation de la hotte autrement qu'en service unifamilial normal.	
E. Transport du produit. Ce produit est conçu pour être réparé sur place.	
F. Détérioration de la hotte imputable à accidents, usage impropre, incendie, inondation, catastrophe naturelle ou utilisation d'un produit non approuvé par Whirlpool.	

**WHIRLPOOL ET INGLIS LIMITÉE DÉCLINENT TOUTE RESPONSABILITÉ AU TITRE DE DOMMAGES SECONDAIRES OU INDIRECTS.** Certains États ou provinces n'admettent pas l'exclusion ou la limitation des dommages secondaires ou indirects; par conséquent, cette limitation ou exclusion peut ne pas vous être applicable.

**Cette garantie vous confère des droits juridiques spécifiques; vous pouvez également jouir d'autres droits variables d'un État ou d'une province à un/une autre.**

**Hors des États-Unis et du Canada, une garantie différente peut être applicable. Pour les détails, consulter le revendeur local agréé par Whirlpool.**

# Si vous avez besoin d'assistance ou de service au Canada

## 1. Si le problème n'est pas attribuable à l'une des causes indiquées dans « Dépannage »†...



Communiquer avec le marchand chez qui vous avez acheté votre appareil électroménager, ou téléphoner au Centre d'assistance aux consommateurs d'Inglis Limitée, sans frais d'interurbain entre 8 h 30 et 18 h 00 (HNE) au 1-800-235-0665.

## 2. Si vous avez besoin de service†...

Communiquer avec la plus proche succursale ou le plus proche établissement de service agréé de Inglis Ltée pour l'entretien de votre appareil. (Voir la liste ci-dessous.)

†Lorsque vous demandez de l'assistance ou une intervention, veuillez fournir une description détaillée du problème, les numéros complets du modèle et de série de l'appareil, et la date d'achat. Ces renseignements nous aideront à mieux répondre à votre demande.

### Succursales de service direct :

<b>COLOMBIE-BRITANNIQUE</b>		<b>1-800-665-6788</b>
<b>ALBERTA</b>		<b>1-800-661-6291</b>
<b>ONTARIO</b> (à l'exception de l'indicatif régional 807)	Région d'Ottawa	<b>1-800-267-3456</b>
	En dehors de la région d'Ottawa	<b>1-800-807-6777</b>
<b>MANITOBA, SASKATCHEWAN</b> et indicatif régional 807 en ONTARIO		<b>1-800-665-1683</b>
<b>QUÉBEC</b>	Montréal (à l'exception de la rive sud)	<b>1-800-361-3032</b>
	Rive Sud Montréal	<b>1-800-361-0950</b>
	Québec	<b>1-800-463-1523</b>
	Sherbrooke	<b>1-800-567-6966</b>
<b>PROVINCES DE L'ATLANTIQUE</b>		<b>1-800-565-1598</b>

## Pour plus d'assistance

Si vous avez besoin d'autre d'assistance, vous pouvez écrire à Inglis Ltée en soumettant toute question ou préoccupation au :

Service des relations avec la clientèle  
Inglis Ltée  
1901 Minnesota Court  
Mississauga, Ontario L5N 3A7

Veuillez indiquer dans votre correspondance un numéro de téléphone où on peut vous joindre durant la journée.

[www.inglislimited.com](http://www.inglislimited.com)

## Free Manuals Download Website

<http://myh66.com>

<http://usermanuals.us>

<http://www.somanuals.com>

<http://www.4manuals.cc>

<http://www.manual-lib.com>

<http://www.404manual.com>

<http://www.luxmanual.com>

<http://aubethermostatmanual.com>

Golf course search by state

<http://golfingnear.com>

Email search by domain

<http://emailbydomain.com>

Auto manuals search

<http://auto.somanuals.com>

TV manuals search

<http://tv.somanuals.com>