



30" (76.2cm) and 36" (91.4cm) Wall-Mount Range Hood

PRODUCT MODEL NUMBERS

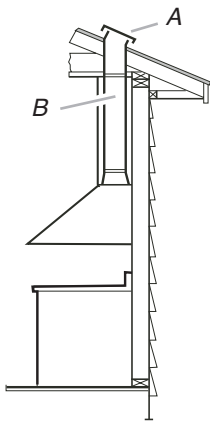
GZ9730XS
GZ9736XS

A 120 Volt, 60Hz., AC only 15-amp fused, electrical supply (or circuit breaker) is required. (A time-delay fuse or circuit breaker is recommended.) It is recommended that a separate circuit serving only this appliance be provided.

Set the grounded 3 prong outlet within the space covered by the decorative flues.

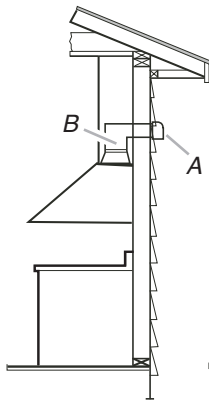
VENTING REQUIREMENTS

Roof Venting



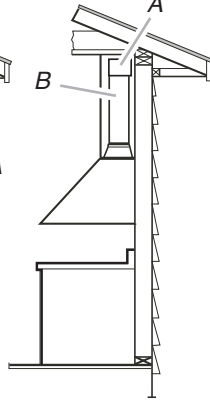
A. Roof cap
B. 6" (15.2 cm)
round vent

Wall Venting



A. Wall cap
B. 6" (15.2 cm)
round vent

Non-vented (recirculating)



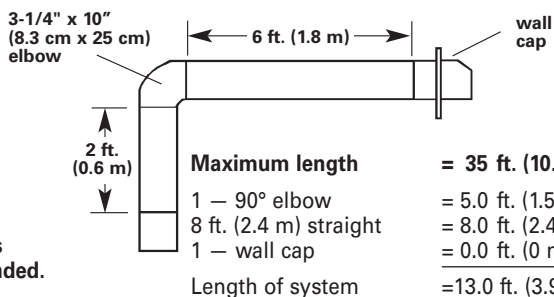
A. Deflector
B. 6" (15.2 cm)
round vent

Calculating Vent System Length

To calculate the length of the system you need, add the equivalent feet (meters) for each vent piece used in the system.

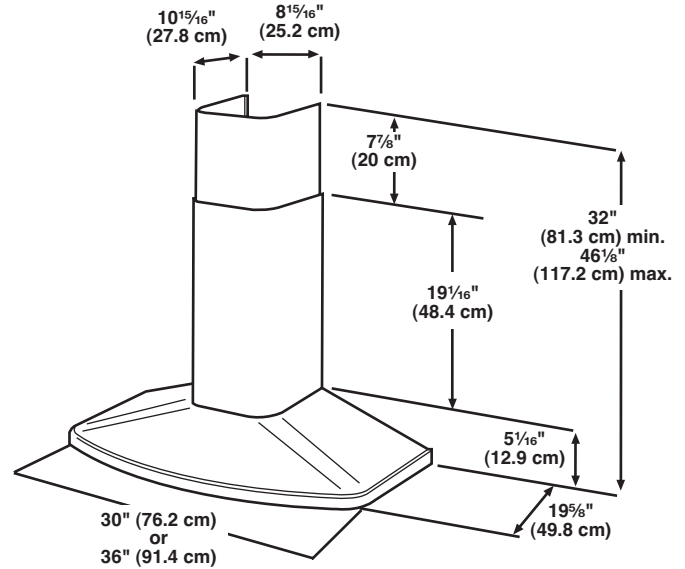
Vent Piece	6" (15.2 cm) Round	
45° elbow	2.5 ft (0.8 m)	
90° elbow	5.0 ft (1.5 m)	

3-1/4" x 10" (8.3 cm x 25 cm) vent system

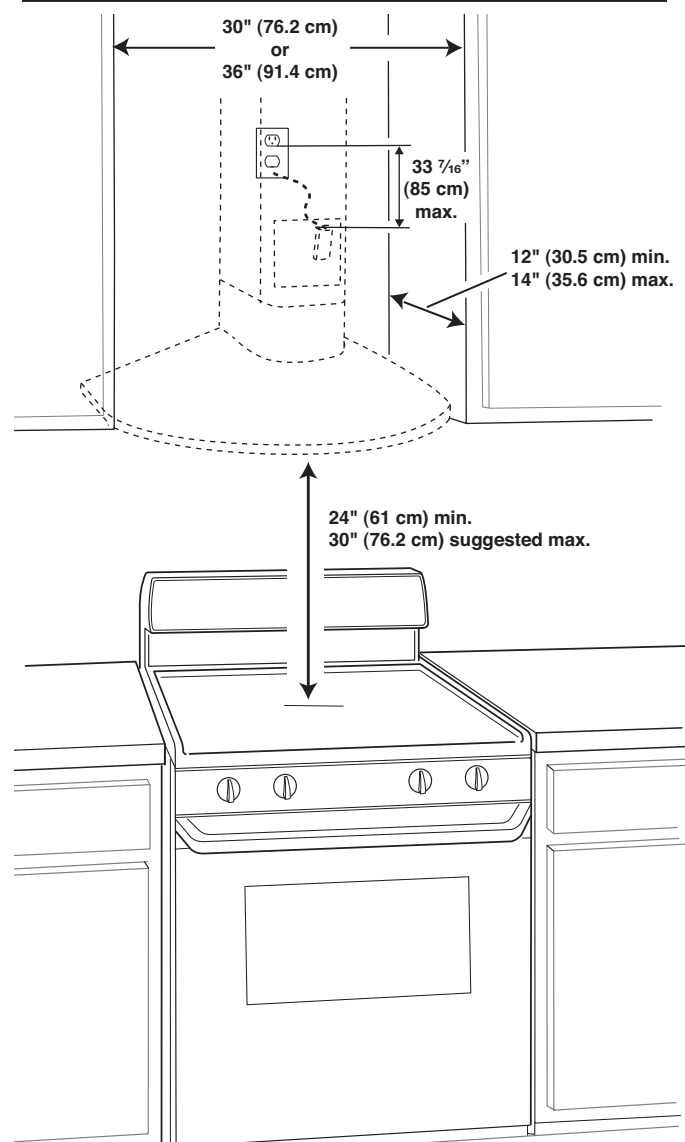


Note:
Flexible vent is
Not recommended.

OVERALL DIMENSIONS



CABINET OPENING DIMENSIONS



Free Manuals Download Website

<http://myh66.com>

<http://usermanuals.us>

<http://www.somanuals.com>

<http://www.4manuals.cc>

<http://www.manual-lib.com>

<http://www.404manual.com>

<http://www.luxmanual.com>

<http://aubethermostatmanual.com>

Golf course search by state

<http://golfingnear.com>

Email search by domain

<http://emailbydomain.com>

Auto manuals search

<http://auto.somanuals.com>

TV manuals search

<http://tv.somanuals.com>