



---

# 30" (76.2 CM) AND 36" (91.4 CM) WALL-MOUNT CANOPY RANGE HOOD

## Installation Instructions and Use & Care Guide

For questions about features, operation/performance parts, accessories or service, call: **1-800-253-1301**

In Canada, for assistance, installation and service, call: **1-800-807-6777**

or visit our website at...

[www.whirlpool.com](http://www.whirlpool.com) or [www.whirlpool.ca](http://www.whirlpool.ca)

---

# HOTTE DE CUISINIÈRE CONFIGURÉE EN ÎLOT À MONTAGE MURAL 30" (76,2 CM) ET 36" (91,4 CM)

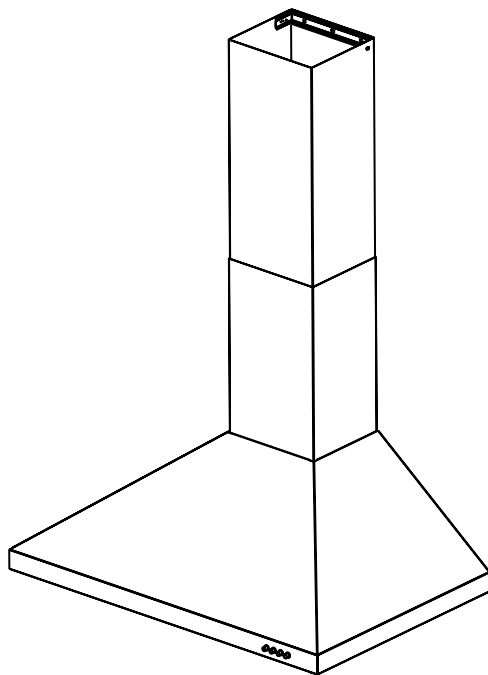
## Instructions d'installation et Guide d'utilisation et d'entretien

Au Canada, pour assistance, installation ou service composez le **1-800-807-6777**

ou visitez notre site web à [www.whirlpool.ca](http://www.whirlpool.ca)

---

Table of Contents/Table des matières..... 2



**IMPORTANT: READ AND SAVE THESE INSTRUCTIONS.  
FOR RESIDENTIAL USE ONLY.**  
**IMPORTANT : LIRE ET CONSERVER CES INSTRUCTIONS.  
POUR UTILISATION RÉSIDENIELLE UNIQUEMENT.**



**LI3Y3B/W10320580B**

## TABLE OF CONTENTS

<b>RANGE HOOD SAFETY</b> .....	<b>2</b>
<b>INSTALLATION REQUIREMENTS</b> .....	<b>4</b>
Tools and Parts .....	4
Location Requirements .....	4
Venting Requirements .....	5
Electrical Requirements .....	6
<b>INSTALLATION INSTRUCTIONS</b> .....	<b>7</b>
Prepare Location .....	7
Install Range Hood .....	8
Connect Vent System .....	8
Make Electrical Connection .....	9
Install Vent Covers .....	9
Complete Installation .....	9
<b>RANGE HOOD USE</b> .....	<b>10</b>
Range Hood Controls .....	10
<b>RANGE HOOD CARE</b> .....	<b>10</b>
Cleaning .....	10
<b>WIRING DIAGRAM</b> .....	<b>12</b>
<b>ASSISTANCE OR SERVICE</b> .....	<b>13</b>
In the U.S.A. ....	13
In Canada .....	13
Accessories .....	13
<b>WARRANTY</b> .....	<b>14</b>

## TABLE DES MATIÈRES

<b>SÉCURITÉ DE LA HOTTE DE CUISINIÈRE</b> .....	<b>15</b>
<b>EXIGENCES D'INSTALLATION</b> .....	<b>17</b>
Outils et pièces .....	17
Exigences d'emplacement .....	17
Exigences concernant l'évacuation .....	18
Spécifications électriques .....	20
<b>INSTRUCTIONS D'INSTALLATION</b> .....	<b>20</b>
Préparation de l'emplacement .....	20
Installation de la hotte .....	21
Raccordement du circuit d'évacuation .....	22
Raccordement électrique .....	22
Installation des cache-conduit .....	23
Achever l'installation .....	23
<b>UTILISATION DE LA HOTTE</b> .....	<b>24</b>
Commandes de la hotte de cuisinière .....	24
<b>ENTRETIEN DE LA HOTTE</b> .....	<b>24</b>
Nettoyage .....	24
<b>SCHÉMA DE CÂBLAGE</b> .....	<b>26</b>
<b>ASSISTANCE OU SERVICE</b> .....	<b>27</b>
Au Canada .....	27
Accessoires .....	27
<b>GARANTIE</b> .....	<b>27</b>

## RANGE HOOD SAFETY

### Your safety and the safety of others are very important.

We have provided many important safety messages in this manual and on your appliance. Always read and obey all safety messages.



This is the safety alert symbol.

This symbol alerts you to potential hazards that can kill or hurt you and others.

All safety messages will follow the safety alert symbol and either the word "DANGER" or "WARNING."

These words mean:

**⚠ DANGER**

You can be killed or seriously injured if you don't immediately follow instructions.

**⚠ WARNING**

You can be killed or seriously injured if you don't follow instructions.

All safety messages will tell you what the potential hazard is, tell you how to reduce the chance of injury, and tell you what can happen if the instructions are not followed.

# IMPORTANT SAFETY INSTRUCTIONS

**WARNING:** TO REDUCE THE RISK OF FIRE, ELECTRIC SHOCK, OR INJURY TO PERSONS, OBSERVE THE FOLLOWING:

- Use this unit only in the manner intended by the manufacturer. If you have questions, contact the manufacturer.
- Before servicing or cleaning the unit, switch power off at service panel and lock the service disconnecting means to prevent power from being switched on accidentally. When the service disconnecting means cannot be locked, securely fasten a prominent warning device, such as a tag, to the service panel.
- Installation work and electrical wiring must be done by qualified person(s) in accordance with all applicable codes and standards, including fire-rated construction.
- Do not operate any fan with a damaged cord or plug. Discard fan or return to an authorized service facility for examination and/or repair.
- Sufficient air is needed for proper combustion and exhausting of gases through the flue (chimney) of fuel burning equipment to prevent backdrafting. Follow the heating equipment manufacturer's guideline and safety standards such as those published by the National Fire Protection Association (NFPA), the American Society for Heating, Refrigeration and Air Conditioning Engineers (ASHRAE), and the local code authorities.
- When cutting or drilling into wall or ceiling; do not damage electrical wiring and other utilities.
- Ducted fans must always be vented outdoors.

**CAUTION:** For general ventilating use only. Do not use to exhaust hazardous or explosive materials and vapors.

**CAUTION:** To reduce risk of fire and to properly exhaust air, be sure to duct air outside - do not vent exhaust air into spaces within walls or ceilings, attics or into crawl spaces, or garages.

**WARNING:** TO REDUCE THE RISK OF FIRE, USE ONLY METAL DUCTWORK.

**WARNING:** TO REDUCE THE RISK OF A RANGE TOP GREASE FIRE:

- Never leave surface units unattended at high settings. Boilovers cause smoking and greasy spillovers that may ignite. Heat oils slowly on low or medium settings.
- Always turn hood ON when cooking at high heat or when flambeing food (i.e. Crepes Suzette, Cherries Jubilee, Peppercorn Beef Flambé).
- Clean ventilating fans frequently. Grease should not be allowed to accumulate on fan or filter.
- Use proper pan size. Always use cookware appropriate for the size of the surface element.

**WARNING:** TO REDUCE THE RISK OF INJURY TO PERSONS IN THE EVENT OF A RANGE TOP GREASE FIRE, OBSERVE THE FOLLOWING:<sup>a</sup>

- SMOTHER FLAMES with a close fitting lid, cookie sheet, or metal tray, then turn off the burner. BE CAREFUL TO PREVENT BURNS. If the flames do not go out immediately, EVACUATE AND CALL THE FIRE DEPARTMENT.
- NEVER PICK UP A FLAMING PAN - you may be burned.
- DO NOT USE WATER, including wet dishcloths or towels - a violent steam explosion will result.
- Use an extinguisher ONLY if:
  - You know you have a class ABC extinguisher, and you already know how to operate it.
  - The fire is small and contained in the area where it started.
  - The fire department is being called.
  - You can fight the fire with your back to an exit.

<sup>a</sup>Based on "Kitchen Fire Safety Tips" published by NFPA.

- **WARNING:** To reduce the risk of fire or electrical shock, do not use this fan with any solid-state speed control device.

## READ AND SAVE THESE INSTRUCTIONS

# INSTALLATION REQUIREMENTS

## Tools and Parts

Gather the required tools and parts before starting installation. Read and follow the instructions provided with any tools listed here.

### Tools needed

- Level
- Drill with 1¼" (3.0 cm), ⅜" (9.5 mm), and ⅝" (7.9 mm) drill bits
- Pencil
- Wire stripper or utility knife
- Tape measure or ruler
- Pliers
- Caulking gun and weatherproof caulking compound
- Vent clamps
- Jigsaw or keyhole saw
- Flat-blade screwdriver
- Metal snips
- Phillips screwdriver
- Metric hex key set

### Parts needed

- Home power supply cable
- ½" (12.7 mm) UL listed or CSA approved strain relief
- 3 UL listed wire connectors

### For vented installations, you will also need:

- 1 wall or roof cap
- Metal vent system

### For non-vented (recirculating) installations, you will also need:

- Recirculation Kit Part Number W10349327 for non-vented (recirculating) installations only. See "Assistance or Service" section to order.
- 6" (15.2 cm) dia. round metal vent duct - length required is determined by ceiling height.

### Parts supplied

Remove parts from packages. Check that all parts are included.

- Hood canopy assembly with ventilator and light bulbs installed
- Vent transition with back draft dampers installed
- Metal grease filter(s)
- Vent cover support bracket
- Mounting template
- 2-piece vent cover
- 2 - 3.5 x 9.5 mm screws
- 2 - 2.9 x 6.5 mm screws
- 6 - 5 x 45 mm mounting screws
- 2 - 8 x 40 mm wall anchors
- 4 - 10 x 50 mm wall anchors
- T20 Torx<sup>®†</sup> adapter

†TORX is a registered trademark of Saturn Fasteners, Inc.

## Location Requirements

**IMPORTANT:** Observe all governing codes and ordinances.

Have a qualified technician install the range hood. It is the installer's responsibility to comply with installation clearances specified on the model/serial rating plate. The model/serial rating plate is located behind the left filter on the rear wall of the vent hood.

Canopy hood location should be away from strong draft areas, such as windows, doors and strong heating vents.

Cabinet opening dimensions that are shown must be used. Given dimensions provide minimum clearance.

Grounded electrical outlet is required. See "Electrical Requirements" section.

The canopy hood is factory set for venting through the roof or wall. For non-vented (recirculating) installation see "For Non-vented (recirculating) Installations Only" in "Connect Vent System" section. Recirculation Kit Part Number W10349327 is available from your dealer or an authorized parts distributor.

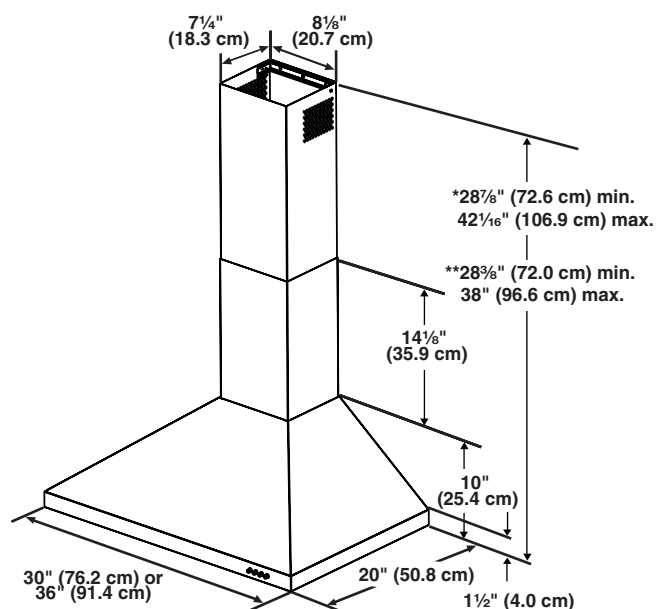
**NOTE:** This product will not comply with Energy Star specifications when installed as non-vented (recirculating) with the optional recirculation kit.

All openings in ceiling and wall where canopy hood will be installed must be sealed.

### For Mobile Home Installations

The installation of this range hood must conform to the Manufactured Home Construction Safety Standards, Title 24 CFR, Part 328 (formerly the Federal Standard for Mobile Home Construction and Safety, Title 24, HUD, Part 280) or when such standard is not applicable, the standard for Manufactured Home Installation 1982 (Manufactured Home Sites, Communities and Setups) ANSI A225.1/NFPA 501A, or latest edition, or with local codes.

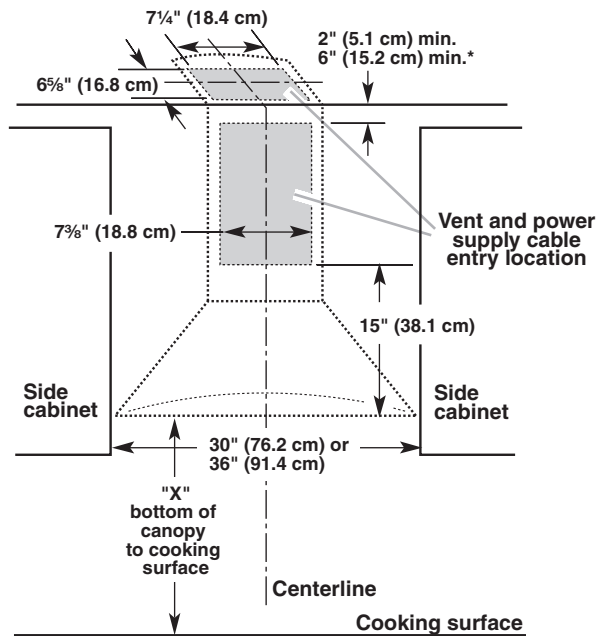
## Product Dimensions



\*For non-vented (recirculating) installations

\*\*For vented installations

## Cabinet Dimensions



\*For non-vented (recirculating) installations

### IMPORTANT:

Minimum distance "X": 24" (61.0 cm) from electric cooking surface.

Minimum distance "X": 27" (68.6 cm) from gas cooking surfaces.

Suggested maximum distance "X": 36" (91.4 cm)

The chimneys can be adjusted for different ceiling heights. See the following chart.

Vented Installations		
	Min. ceiling height	Max. ceiling height
Electric cooking surface	7' 5" (2.26 m)	9' 2" (2.79 m)
Gas cooking surface	7' 8" (2.34 m)	9' 2" (2.79 m)
Non-vented (recirculating) Installations		
	Min. ceiling height	Max. ceiling height
Electric cooking surface	7' 5" (2.26 m)	9' 6" (2.9 m)
Gas cooking surface	7' 8" (2.34 m)	9' 6" (2.9 m)

**\*NOTE:** The range hood chimneys are adjustable and designed to meet varying ceiling or soffit heights depending on the distance "X" between the bottom of the range hood and the cooking surface. For higher ceilings, a Stainless Steel Chimney Extension Kit Part Number W10337357 is available from your dealer or an authorized parts distributor. The chimney extension replaces the upper chimney shipped with the range hood.

## Venting Requirements

(vented models only)

- Vent system must terminate to the outdoors, except for non-vented (recirculating) installations.
- Do not terminate the vent system in an attic or other enclosed area.
- Do not use 4" (10.2 cm) laundry-type wall cap.
- Use metal vent only. Rigid metal vent is recommended. Plastic or metal foil vent is not recommended.
- The length of vent system and number of elbows should be kept to a minimum to provide efficient performance.

### For the most efficient and quiet operation:

- Use no more than three 90° elbows.
- Make sure there is a minimum of 24" (61 cm) of straight vent between the elbows if more than 1 elbow is used.
- Do not install 2 elbows together.
- Use clamps to seal all joints in the vent system.
- The vent system must have a damper. If the roof or wall cap has a damper, do not use the damper supplied with the range hood.
- Use caulking to seal exterior wall or roof opening around the cap.
- The size of the vent should be uniform.

### Cold Weather Installations

An additional back draft damper should be installed to minimize backward cold air flow and a thermal break should be installed to minimize conduction of outside temperatures as part of the vent system. The damper should be on the cold air side of the thermal break.

The break should be as close as possible to where the vent system enters the heated portion of the house.

### Makeup Air

Local building codes may require the use of makeup air systems when using ventilation systems greater than specified CFM of air movement. The specified CFM varies from locale to locale. Consult your HVAC professional for specific requirements in your area.

### Venting Methods

This canopy hood is factory set for venting through the roof or wall.

A 6" (15.2 cm) round vent system is needed for installation (not included). The hood exhaust opening is 6" (15.2 cm) round.

**NOTE:** Flexible vent is not recommended. Flexible vent creates back pressure and air turbulence that greatly reduce performance.

Vent system can terminate either through the roof or wall. To vent through a wall, a 90° elbow is needed.

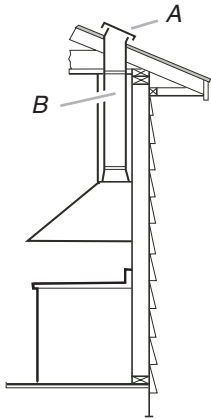
### Rear discharge

A 90° elbow may be installed immediately above the hood.

## For Non-Vented (recirculating) Installations

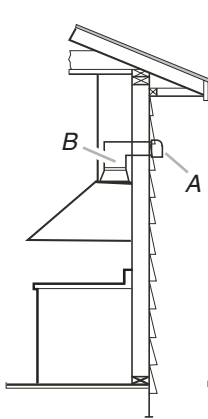
If it is not possible to vent cooking fumes and vapors to the outside, the hood can be used in the non-vented (recirculating) version, fitting a charcoal filter and the deflector. Fumes and vapors are recycled through the top grille.

### Roof Venting



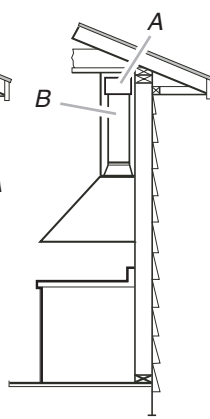
A. Roof cap  
B. 6" (15.2 cm) round vent

### Wall Venting



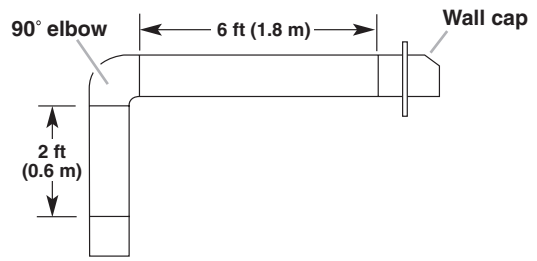
A. Wall cap  
B. 6" (15.2 cm) round vent

### Non-vented (recirculating)



A. Deflector  
B. 6" (15.2 cm) round vent

## Example vent system



The following example falls within the maximum recommended vent length of 35 ft (10.7 m).

1 - 90° elbow	= 5.0 ft (1.5 m)
1 - wall cap	= 0.0 ft (0.0 m)
8 ft (2.4 m) straight	= 8.0 ft (2.4 m)
<b>Length of system</b>	<b>= 13.0 ft (3.9 m)</b>

## Electrical Requirements

Observe all governing codes and ordinances.

Ensure that the electrical installation is adequate and in conformance with National Electrical Code, ANSI/NFPA 70 (latest edition), or CSA Standards C22.1-94, Canadian Electrical Code, Part 1 and C22.2 No. 0-M91 (latest edition) and all local codes and ordinances.

If codes permit and a separate ground wire is used, it is recommended that a qualified electrician determine that the ground path is adequate.

A copy of the above code standards can be obtained from:



National Fire Protection Association  
One Batterymarch Park  
Quincy, MA 02269  
CSA International  
8501 East Pleasant Valley Road  
Cleveland, OH 44131-5575

- A 120 volt, 60 Hz., AC only, 15-amp, fused electrical circuit is required.
- If the house has aluminum wiring, follow the procedure below:
  1. Connect a section of solid copper wire to the pigtail leads.
  2. Connect the aluminum wiring to the added section of copper wire using special connectors and/or tools designed and UL listed for joining copper to aluminum.

Follow the electrical connector manufacturer's recommended procedure. Aluminum/copper connection must conform with local codes and industry accepted wiring practices.
- Wire sizes and connections must conform with the rating of the appliance as specified on the model/serial rating plate. The model/serial plate is located behind the filter on the rear wall of the range hood.
- Wire sizes must conform to the requirements of the National Electrical Code, ANSI/NFPA 70 (latest edition), or CSA Standards C22.1-94, Canadian Electrical Code, Part 1 and C22.2 No. 0-M91 (latest edition) and all local codes and ordinances.

## Calculating Vent System Length

To calculate the length of the system you need, add the equivalent feet (meters) for each vent piece used in the system.

Vent Piece	6" (15.2 cm) Round	
45° elbow	2.5 ft (0.8 m)	
90° elbow	5.0 ft (1.5 m)	

Maximum equivalent vent length is 35 ft (10.7 m).

# INSTALLATION INSTRUCTIONS

## Prepare Location

- It is recommended that the vent system be installed before hood is installed.
  - Before making cutouts, make sure there is proper clearance within the ceiling or wall for exhaust vent.
  - Check your ceiling height and the hood height maximum before you select your hood.
1. Disconnect power.
  2. Determine which venting method to use: roof, wall, or non-vented.
  3. Select a flat surface for assembling the range hood. Place covering over that surface.

## ⚠ WARNING

### Excessive Weight Hazard

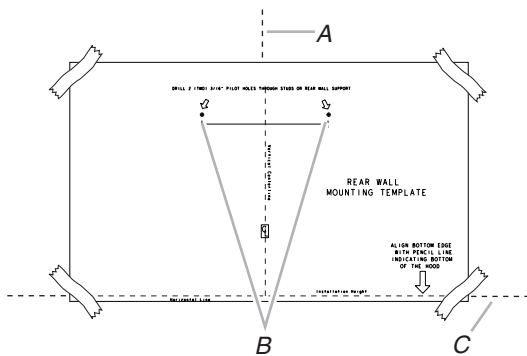
Use two or more people to move and install range hood.

Failure to do so can result in back or other injury.

4. Using 2 or more people, lift range hood onto covered surface.

## Range Hood Mounting Screws Installation

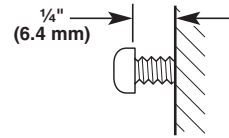
5. Determine and mark the centerline on the wall where the canopy hood will be installed.
6. Select a mounting height between a minimum of 24" (61.0 cm) for an electric cooking surface, a minimum of 27" (68.6 cm) for a gas cooking surface, and a suggested maximum of 36" (91.4 cm) above the range to the bottom of the hood. Mark a reference line on the wall.
7. Tape template in place, aligning the template centerline and bottom of template with hood bottom line and with the centerline marked on the wall.



A. Centerline  
B. Fastener locations  
C. Mounting height reference

8. Mark centers of the fastener locations through the template to the wall.  
**IMPORTANT:** All screws must be installed into wood. If there is no wood to screw into, additional wall framing supports may be required.  
Remove the template.

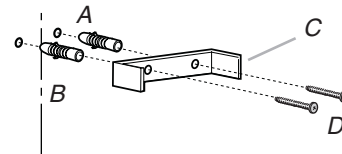
9. Drill  $\frac{3}{16}$ " (4.8 mm) pilot holes at all locations where screws are being installed into wood.
10. Install the 2 - 5 x 45 mm mounting screws. Leave a  $\frac{1}{4}$ " (6.4 mm) gap between the wall and the back of the screw head to slide range hood into place.



## Vent Cover Support Bracket Installation

### Installations using telescoping upper and lower vent cover assembly

1. Position vent cover bracket on wall about  $\frac{1}{8}$ " (3.0 mm) away from the ceiling.
2. Mark the hole locations.
3. Drill  $\frac{3}{8}$ " (9.5 mm) holes for wall anchors and insert anchors flush with the wall.



A. 8 x 40 mm drywall anchors  
B. Centerline on wall  
C. Vent cover support bracket  
D. 5 x 45 mm screws

4. Attach vent cover support bracket to wall.

## Complete Preparation

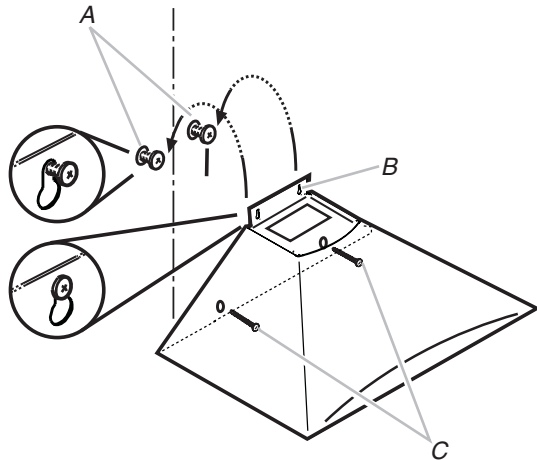
1. Determine and make all necessary cuts in the wall for the vent system. Install the vent system before installing the hood. See "Venting Requirements" section.
2. Determine the required height for the home power supply cable and drill a  $\frac{1}{4}$ " (3.2 cm) hole at this location.
3. Run the home power supply cable according to the National Electrical Code or CSA Standards and local codes and ordinances. There must be enough  $\frac{1}{2}$ " conduit and wires from the fused disconnect (or circuit breaker) box to make the connection in the hood's electrical terminal box.

**NOTE:** Do not reconnect power until installation is complete.

4. Use caulk to seal all openings.

## Install Range Hood

- Using 2 or more people, hang range hood on 2 mounting screws through the mounting slots on back of hood.

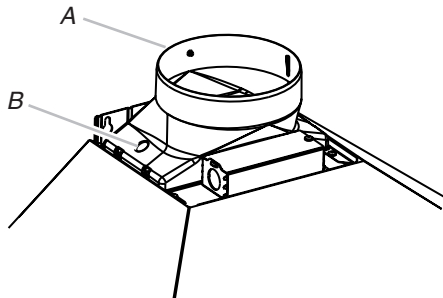


A. Mounting screws  
B. Mounting slots  
C. Lower mounting screws

- Remove the grease filter. See "Range Hood Care" section.
- Level the range hood and tighten upper mounting screws.
- Install 2 - 5 x 45 mm lower mounting screws and tighten.

## Connect Vent System

- Install transition on top of hood (if removed for shipping) with 2 - 3.5 x 9.5 mm sheet metal screws.



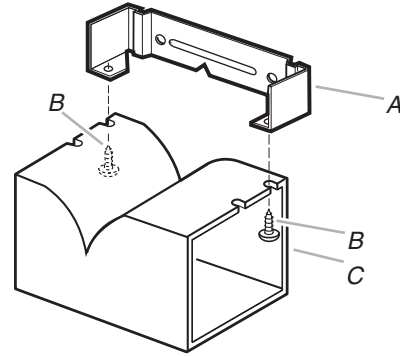
A. Vent transition  
B. 3.5 x 9.5 mm screw

### For vented installations only:

- Fit vent system over transition piece.
- Seal connection with clamps.
- Check that back draft dampers work properly.

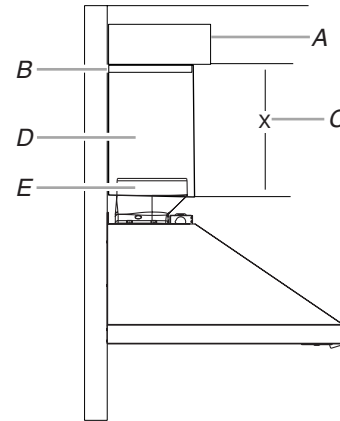
### For non-vented (recirculating) installation only:

- Assemble the air deflector with the duct cover bracket with 2 - assembly screws provided with the Recirculation Kit.



A. Vent cover bracket  
B. 2.9 x 6.5 mm screws  
C. Deflector

- Measure from the bottom of the air deflector to the bottom of the hood outlet.



A. Air deflector  
B. Vent clamp  
C. X = length to cut vent duct  
D. Vent duct  
E. Exhaust outlet

- Cut the duct to the measured size (X).
- Remove the air deflector.
- Slide the duct onto the bottom of the air deflector.
- Place the assembled air deflector and duct over the exhaust outlet from the hood.
- Reassemble the air deflector to the duct cover bracket with 2 assembly screws.
- Seal connections with vent clamps.



## Make Electrical Connection

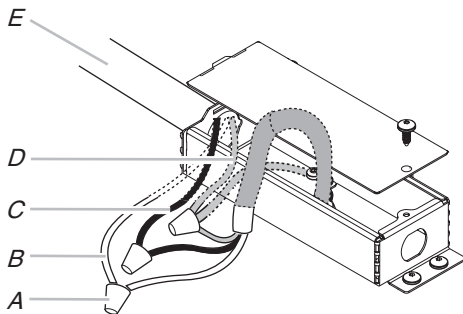
### **⚠ WARNING**



#### Electrical Shock Hazard

Disconnect power before servicing.  
Replace all parts and panels before operating.  
Failure to do so can result in death or electrical shock.

1. Disconnect power.
2. Remove terminal box cover.
3. Remove the knockout in the terminal box and install a UL listed or CSA approved ½" strain relief.
4. Run home power supply wiring through ½" strain relief into terminal box.



A. UL listed wire connectors  
B. White wires  
C. Black wires  
D. Green (or bare) wire connected to yellow-green wires  
E. Home power supply

5. Use UL listed wire connectors and connect white wires (B) together.

6. Use UL listed wire connectors and connect black wires (C) together.

### **⚠ WARNING**



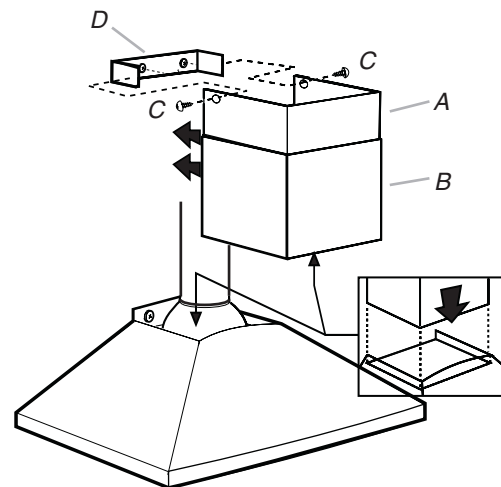
#### Electrical Shock Hazard

Electrically ground blower.  
Connect ground wire to green and yellow ground wire in terminal box.  
Failure to do so can result in death or electrical shock.

7. Connect green (or bare) ground wire from home power supply to the 2 yellow-green ground wires (D) in terminal box using UL listed wire connectors.
8. Tighten strain relief screw.
9. Install terminal box cover.
10. Reconnect power.

## Install Vent Covers

1. When using both upper and lower vent covers, push lower cover down onto hood and lift upper cover to ceiling and install with two 2.9 x 6.5 mm screws.  
**NOTE:** For vented installations, the upper vent cover may be reversed to hide slots.



A. Upper vent cover  
B. Lower vent cover  
C. 2.9 x 6.5 mm screws  
D. Bracket

## Complete Installation

1. For non-vented (recirculating) installations only, install charcoal filters over grille on blower housing. See the "Range Hood Care" section.
2. Install metal filters. See the "Range Hood Care" section.
3. Check the operation of the range hood blower and light. See the "Range Hood Use" section.

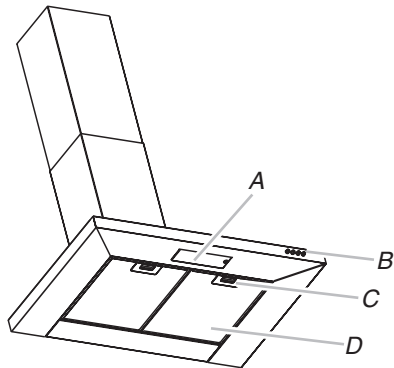
**NOTE:** To get the most efficient use from your new range hood, read the "Range Hood Use" section.

---

## RANGE HOOD USE

The range hood is designed to remove smoke, cooking vapors and odors from the cooktop area. For best results, start the hood before cooking and allow it to operate several minutes after the cooking is complete to clear all smoke and odors from the kitchen.

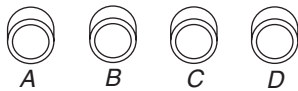
The hood controls are located on the front panel on the right side of the range hood.



- A. Fluorescent lamp housings
- B. Blower and light controls
- C. Grease filter handle
- D. Grease filter

---

### Range Hood Controls



- A. On/Off light button
- B. Blower off and speed minimum button
- C. Blower speed medium button
- D. Blower speed maximum button

---

### Operating the light

The On/Off light button controls both lights. Press once for On and again for Off.

---

### Operating the blower

The BLOWER SPEED buttons turn the blower on and control the blower speed and sound level for quiet operation. The speed can be changed anytime during fan operation by pressing the desired blower speed button.

Press the BLOWER OFF button a second time to turn the blower off.

---

## RANGE HOOD CARE

### Cleaning

**IMPORTANT:** Clean the hood and grease filters frequently according to the following instructions. Replace grease filters before operating hood.

#### Exterior Surfaces:

**IMPORTANT:** Do not use soap-filled scouring pads, abrasive cleaners, Cooktop Polishing Creme, steel wool, gritty washcloths or paper towels.

To avoid damage to the stainless steel, do not use cleaners that contain chlorine.

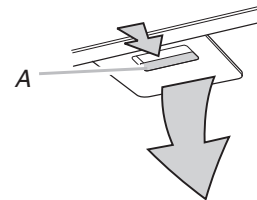
#### Cleaning Method:

- Rub in direction of grain to avoid scratching or damaging the surface.
- Stainless Steel Cleaner and Polish Part Number 31462A (not included):  
See "Assistance or Service" section to order.
- Liquid detergent or all-purpose cleaner:  
Rinse with clean water and dry with soft, lint-free cloth.
- Glass cleaner to remove fingerprints.

---

### Metal Grease Filter

1. Remove each filter by pulling the spring release handle and then pulling down the filter.



A. Spring release handle

2. Wash metal filters as needed in dishwasher or hot detergent solution.
3. Reinstall the filter by making sure the spring release handles are toward the front. Insert aluminum filter into upper track.
4. Push in spring release handle.
5. Push up on metal filter and release handle to latch into place.
6. Repeat steps 1-5 for the other filter.

---

## Non-Vented (recirculating) Installation Filters:

---

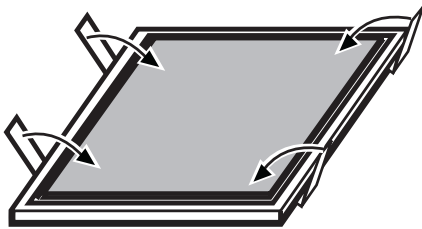
The charcoal filter is not washable. It should last up to 6 months with normal use. Replace with Charcoal Filter Kit Number W10294730.

### To replace charcoal filter:

1. Remove metal grease filter from range hood. See "Metal Grease Filter" in this section.
2. Bend spring clips away from metal grease filter.



3. Place charcoal filter into top side of metal filter.
4. Bend spring clips back into place to secure the charcoal filter to the metal filter.



5. Replace metal grease filter. See "Metal Grease Filter" in this section.

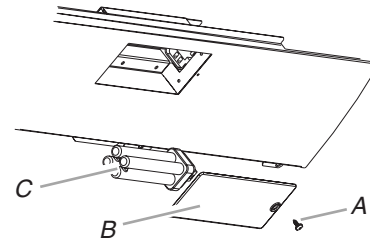
---

## Replacing a Fluorescent Lamp

---

Turn off the range hood and allow the fluorescent lamp to cool. If new light does not operate, make sure the lamp is inserted correctly before calling service.

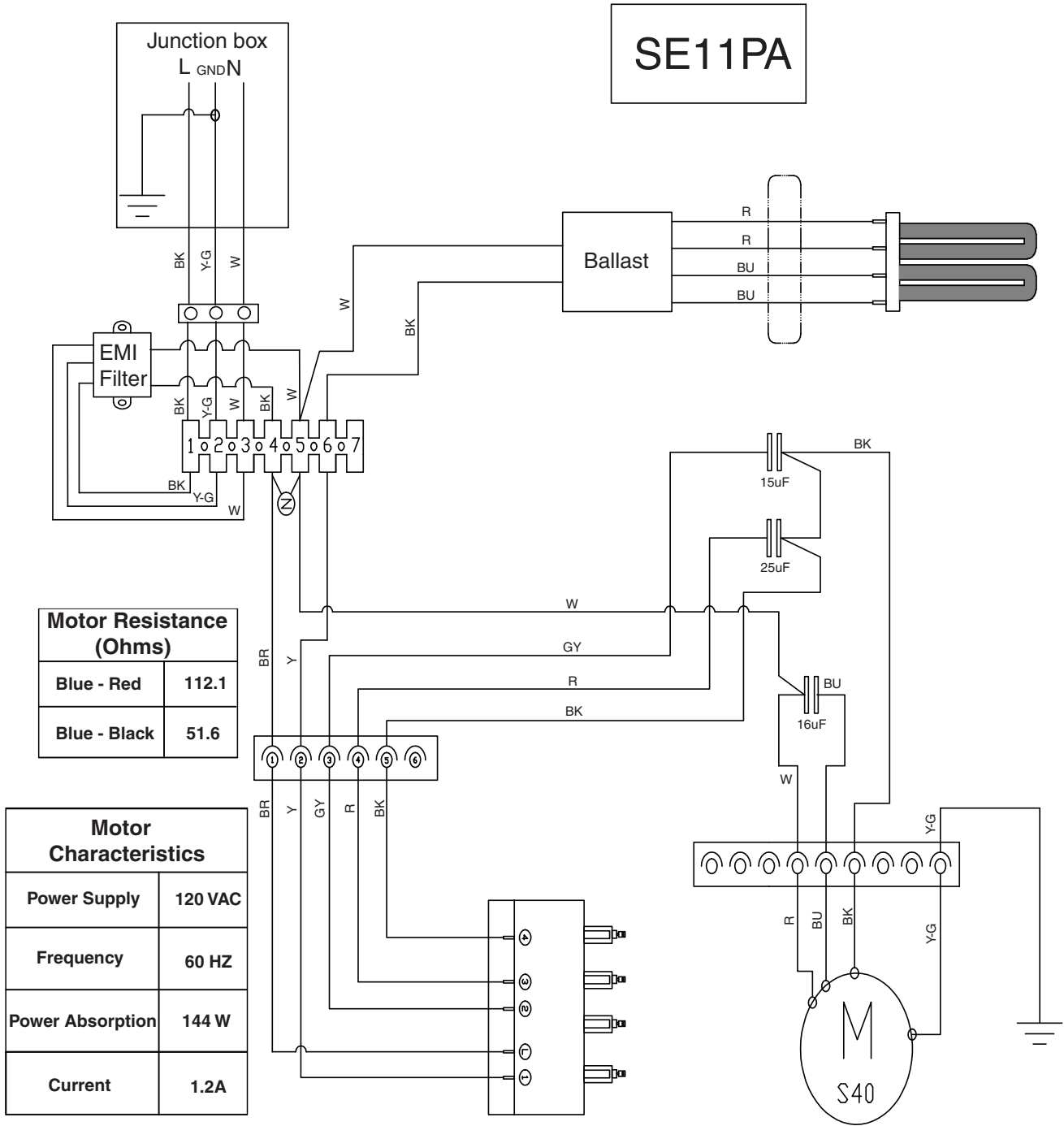
1. Disconnect power.
2. Remove the screw from the lens cover and remove the cover.



A. Screw  
B. Lens cover  
C. Fluorescent lamp

3. Remove the light from the socket and replace with a 120-volt, 13-watt (maximum), 50° fluorescent light with a GX24 base.
4. Replace the lens cover and screw. Tighten the screw.
5. Reconnect power.

# WIRING DIAGRAM



Motor Resistance (Ohms)	
Blue - Red	112.1
Blue - Black	51.6

Motor Characteristics	
Power Supply	120 VAC
Frequency	60 HZ
Power Absorption	144 W
Current	1.2A

---

# ASSISTANCE OR SERVICE

---

When calling for assistance or service, please know the purchase date and the complete model and serial number of your appliance. This information will help us to better respond to your request.

## If you need replacement parts

If you need to order replacement parts, we recommend that you use only factory specified parts. Factory specified parts will fit right and work right because they are made with the same precision used to build every new appliance. To locate factory specified replacement parts in your area, call us or your nearest designated service center.

---

## In the U.S.A.

Call the Whirlpool Customer eXperience Center toll free: **1-800-253-1301** or visit our website at **www.whirlpool.com**.

### Our consultants provide assistance with:

- Features and specifications on our full line of appliances.
- Installation information.
- Use and maintenance procedures.
- Accessory and repair parts sales.
- Specialized customer assistance (Spanish speaking, hearing impaired, limited vision, etc.).
- Referrals to local dealers, repair parts distributors, and service companies. Whirlpool designated service technicians are trained to fulfill the product warranty and provide after-warranty service, anywhere in the United States.

To locate the Whirlpool designated service company in your area, you can also look in your telephone directory Yellow Pages.

### For further assistance

If you need further assistance, you can write to Whirlpool Corporation with any questions or concerns at:

Whirlpool Brand Home Appliances  
Customer eXperience Center  
553 Benson Road  
Benton Harbor, MI 49022-2692

Please include a daytime phone number in your correspondence.

---

## In Canada

Call the Whirlpool Canada LP Customer eXperience Centre toll free: **1-800-807-6777**, or visit our website at **www.whirlpool.ca**.

### Our consultants provide assistance with:

- Features and specifications on our full line of appliances.
- Use and maintenance procedures.
- Accessory and repair parts sales.
- Referrals to local dealers, repair parts distributors, and service companies. Whirlpool Canada LP designated service technicians are trained to fulfill the product warranty and provide after-warranty service, anywhere in Canada.

### For further assistance

If you need further assistance, you can write to Whirlpool Canada LP with any questions or concerns at:

Customer eXperience Centre  
Whirlpool Canada LP  
200 - 6750 Century Ave.  
Mississauga, Ontario L5N 0B7

Please include a daytime phone number in your correspondence.

---

## Accessories

### Chimney Extension Kit

Order Part Number W10337357

### Stainless Steel Cleaner and Polish

Order Part Number 31462A

### Charcoal Filter Kit

(for non-vented installations only)

Order Part Number W10294730

### Recirculation Kit

(for non-vented installations only)

Order Part Number W10349327

---

# WHIRLPOOL CORPORATION MAJOR APPLIANCE WARRANTY

---

## LIMITED WARRANTY

For one year from the date of purchase, when this major appliance is operated and maintained according to instructions attached to or furnished with the product, Whirlpool Corporation or Whirlpool Canada LP (hereafter "Whirlpool") will pay for Factory Specified Parts and repair labor to correct defects in materials or workmanship. Service must be provided by a Whirlpool designated service company. This limited warranty is valid only in the United States or Canada and applies only when the major appliance is used in the country in which it was purchased. Outside the 50 United States and Canada, this limited warranty does not apply. Proof of original purchase date is required to obtain service under this limited warranty.

---

## ITEMS EXCLUDED FROM WARRANTY

**This limited warranty does not cover:**

1. Service calls to correct the installation of your major appliance, to instruct you on how to use your major appliance, to replace or repair house fuses, or to correct house wiring or plumbing.
2. Service calls to repair or replace appliance light bulbs, air filters or water filters. Consumable parts are excluded from warranty coverage.
3. Repairs when your major appliance is used for other than normal, single-family household use or when it is used in a manner that is contrary to published user or operator instructions and/or installation instructions.
4. Damage resulting from accident, alteration, misuse, abuse, fire, flood, acts of God, improper installation, installation not in accordance with electrical or plumbing codes, or use of consumables or cleaning products not approved by Whirlpool.
5. Cosmetic damage, including scratches, dents, chips or other damage to the finish of your major appliance, unless such damage results from defects in materials or workmanship and is reported to Whirlpool within 30 days from the date of purchase.
6. Any food loss due to refrigerator or freezer product failures.
7. Costs associated with the removal from your home of your major appliance for repairs. This major appliance is designed to be repaired in the home and only in-home service is covered by this warranty.
8. Repairs to parts or systems resulting from unauthorized modifications made to the appliance.
9. Expenses for travel and transportation for product service if your major appliance is located in a remote area where service by an authorized Whirlpool servicer is not available.
10. The removal and reinstallation of your major appliance if it is installed in an inaccessible location or is not installed in accordance with published installation instructions.
11. Major appliances with original model/serial numbers that have been removed, altered or cannot be easily determined. This warranty is void if the factory applied serial number has been altered or removed from your major appliance.

The cost of repair or replacement under these excluded circumstances shall be borne by the customer.

---

## DISCLAIMER OF IMPLIED WARRANTIES; LIMITATION OF REMEDIES

CUSTOMER'S SOLE AND EXCLUSIVE REMEDY UNDER THIS LIMITED WARRANTY SHALL BE PRODUCT REPAIR AS PROVIDED HEREIN. IMPLIED WARRANTIES, INCLUDING WARRANTIES OF MERCHANTABILITY OR FITNESS FOR A PARTICULAR PURPOSE, ARE LIMITED TO ONE YEAR OR THE SHORTEST PERIOD ALLOWED BY LAW. WHIRLPOOL SHALL NOT BE LIABLE FOR INCIDENTAL OR CONSEQUENTIAL DAMAGES. SOME STATES AND PROVINCES DO NOT ALLOW THE EXCLUSION OR LIMITATION OF INCIDENTAL OR CONSEQUENTIAL DAMAGES, OR LIMITATIONS ON THE DURATION OF IMPLIED WARRANTIES OF MERCHANTABILITY OR FITNESS, SO THESE EXCLUSIONS OR LIMITATIONS MAY NOT APPLY TO YOU. THIS WARRANTY GIVES YOU SPECIFIC LEGAL RIGHTS, AND YOU MAY ALSO HAVE OTHER RIGHTS WHICH VARY FROM STATE TO STATE OR PROVINCE TO PROVINCE.

---

If outside the 50 United States and Canada, contact your authorized Whirlpool dealer to determine if another warranty applies.

If you need service, first see the "Troubleshooting" section of the Use & Care Guide. After checking "Troubleshooting," you may find additional help by checking the "Assistance or Service" section or by calling Whirlpool. In the U.S.A., call **1-800-253-1301**. In Canada, call **1-800-807-6777**.

9/07

**Keep this book and your sales slip together for future reference. You must provide proof of purchase or installation date for in-warranty service.**

Write down the following information about your major appliance to better help you obtain assistance or service if you ever need it. You will need to know your complete model number and serial number. You can find this information on the model and serial number label located on the product.

Dealer name \_\_\_\_\_

Address \_\_\_\_\_

Phone number \_\_\_\_\_

Model number \_\_\_\_\_

Serial number \_\_\_\_\_

Purchase date \_\_\_\_\_

# SÉCURITÉ DE LA HOTTE DE CUISINIÈRE

## Votre sécurité et celle des autres est très importante.

Nous donnons de nombreux messages de sécurité importants dans ce manuel et sur votre appareil ménager. Assurez-vous de toujours lire tous les messages de sécurité et de vous y conformer.



Voici le symbole d'alerte de sécurité.

Ce symbole d'alerte de sécurité vous signale les dangers potentiels de décès et de blessures graves à vous et à d'autres.

Tous les messages de sécurité suivront le symbole d'alerte de sécurité et le mot "DANGER" ou "AVERTISSEMENT". Ces mots signifient :

**⚠ DANGER**

**Risque possible de décès ou de blessure grave si vous ne suivez pas immédiatement les instructions.**

**⚠ AVERTISSEMENT**

**Risque possible de décès ou de blessure grave si vous ne suivez pas les instructions.**

Tous les messages de sécurité vous diront quel est le danger potentiel et vous disent comment réduire le risque de blessure et ce qui peut se produire en cas de non-respect des instructions.

# IMPORTANTES INSTRUCTIONS DE SÉCURITÉ

**AVERTISSEMENT : POUR RÉDUIRE LE RISQUE D'INCENDIE, CHOC ÉLECTRIQUE OU DOMMAGES CORPORELS, RESPECTER LES INSTRUCTIONS SUIVANTES :**

- Utiliser cet appareil uniquement dans les applications envisagées par le fabricant. Pour toute question, contacter le fabricant.
- Avant d'entreprendre un travail d'entretien ou de nettoyage, interrompre l'alimentation de la hotte au niveau du tableau de disjoncteurs, et verrouiller le tableau de disjoncteurs pour empêcher tout rétablissement accidentel de l'alimentation du circuit. Lorsqu'il n'est pas possible de verrouiller le tableau de disjoncteurs, placer sur le tableau de disjoncteurs une étiquette d'avertissement proéminente interdisant le rétablissement de l'alimentation.
- Tout travail d'installation ou câblage électrique doit être réalisé par une personne qualifiée, dans le respect des prescriptions de tous les codes et normes applicables, y compris les codes du bâtiment et de protection contre les incendies.
- Ne pas faire fonctionner un ventilateur dont le cordon ou la fiche est endommagé(e). Jeter le ventilateur ou le retourner à un centre de service agréé pour examen et/ou réparation.
- Une source d'air de débit suffisant est nécessaire pour le fonctionnement correct de tout appareil à gaz (combustion et évacuation des gaz à combustion par la cheminée), pour qu'il n'y ait pas de reflux des gaz de combustion. Respecter les directives du fabricant de l'équipement de chauffage et les prescriptions des normes de sécurité - comme celles publiées par la National Fire Protection Association (NFPA) et l'American Society for Heating, Refrigeration and Air Conditioning Engineers (ASHRAE), et les prescriptions des autorités réglementaires locales.
- Lors d'opérations de découpage et de perçage dans un mur ou un plafond, veiller à ne pas endommager les câblages électriques ou canalisations qui peuvent s'y trouver.
- Les ventilateurs d'évacuation doivent toujours décharger l'air à l'extérieur.

**MISE EN GARDE :** Cet appareil est conçu uniquement pour la ventilation générale. Ne pas l'utiliser pour l'extraction de matières ou vapeurs dangereuses ou explosives.

**MISE EN GARDE :** Pour minimiser le risque d'incendie et évacuer adéquatement les gaz, veiller à acheminer l'air aspiré par un conduit jusqu'à l'extérieur - ne pas décharger l'air aspiré dans un espace vide du bâtiment comme une cavité murale, un plafond, un grenier, un vide sanitaire ou un garage.

**AVERTISSEMENT : POUR RÉDUIRE LE RISQUE D'INCENDIE, UTILISER UNIQUEMENT DES CONDUITS MÉTALLIQUES.**

**AVERTISSEMENT : POUR MINIMISER LE RISQUE D'UN FEU DE GRAISSE SUR LA CUISINIÈRE :**

- Ne jamais laisser un élément de surface fonctionner à puissance de chauffage maximale sans surveillance. Un renversement/débordement de matière grasseuse pourrait provoquer une inflammation et la génération de fumée. Utiliser une puissance de chauffage moyenne ou basse pour le chauffage d'huile.
- Veiller à toujours faire fonctionner le ventilateur de la hotte lors de la cuisson avec une puissance de chauffage élevée ou lors de la cuisson d'un mets à flamber (à savoir crêpes Suzette, cerise jubilé, steak au poivre flambé).
- Nettoyer fréquemment les ventilateurs d'extraction. Veiller à ne pas laisser la graisse s'accumuler sur les surfaces du ventilateur ou des filtres.
- Utiliser toujours un ustensile de taille appropriée. Utiliser toujours un ustensile adapté à la taille de l'élément chauffant.

**AVERTISSEMENT : POUR RÉDUIRE LE RISQUE DE DOMMAGES CORPORELS APRÈS LE DÉCLENCHEMENT D'UN FEU DE GRAISSE SUR LA CUISINIÈRE, APPLIQUER LES RECOMMANDATIONS SUIVANTES :<sup>a</sup>**

- Placer sur le récipient un couvercle bien ajusté, une tôle à biscuits ou un plateau métallique **POUR ÉTOUFFER LES FLAMMES**, puis éteindre le brûleur. **VEILLER À ÉVITER LES BRÛLURES**. Si les flammes ne s'éteignent pas immédiatement, **ÉVACUER LA PIÈCE ET APPELER LES POMPIERS**.
- **NE JAMAIS PRENDRE EN MAIN UN RÉCIPENT ENFLAMMÉ** - vous risquez de vous brûler.
- **NE PAS UTILISER D'EAU**, ni un torchon humide - ceci pourrait provoquer une explosion de vapeur brûlante.
- Utiliser un extincteur **SEULEMENT** si :
  - Il s'agit d'un extincteur de classe ABC, dont on connaît le fonctionnement.
  - Il s'agit d'un petit feu encore limité à l'endroit où il s'est déclaré.
  - Les pompiers ont été contactés.
  - Il est possible de garder le dos orienté vers une sortie pendant l'opération de lutte contre le feu.

<sup>a</sup>Recommandations tirées des conseils de sécurité en cas d'incendie de cuisine publiés par la NFPA.

- **AVERTISSEMENT :** Pour réduire le risque d'incendie ou de choc électrique, ne pas utiliser ce ventilateur avec un quelconque dispositif de réglage de la vitesse à semi-conducteurs.

## LIRE ET CONSERVER CES INSTRUCTIONS



# EXIGENCES D'INSTALLATION

## Outils et pièces

Rassembler les outils et composants nécessaires avant d'entreprendre l'installation. Lire et observer les instructions fournies avec chacun des outils de la liste ci-dessous.

### Outils nécessaires

- Niveau
- Perceuse avec forets de 1¼" (3,0 cm), ⅜" (9,5 mm), et ⅝" (7,9 mm)
- Crayon
- Pince à dénuder ou couteau utilitaire
- Mètre-ruban ou règle
- Pince
- Pistolet à calfeutrage et composé de calfeutrage résistant aux intempéries
- Brides de conduit
- Scie sauteuse ou scie à guichet
- Tournevis à lame plate
- Cisaille de ferblantier
- Tournevis Phillips
- Ensemble de clés à tête hexagonale (système métrique)

### Pièces nécessaires

- Câble d'alimentation électrique du domicile
- Serre-câble de ½" (12,7 mm) (homologation UL ou CSA)
- 3 connecteurs de fils homologués UL

### Pour les installations avec décharge à l'extérieur, il vous faudra aussi :

- 1 bouche de décharge (décharge à travers le mur ou à travers le toit)
- Circuit d'évacuation métallique

### Pour les installations sans décharge à l'extérieur (recyclage), il faudra aussi :

- Ensemble de recyclage, pièce numéro W10349327 pour les installations sans décharge à l'extérieur (recyclage) uniquement. Voir la section "Assistance ou service" pour commander.
- Conduit d'évacuation métallique circulaire de 6" (15,2 cm) de diamètre - longueur déterminée par la hauteur de plafond.

### Pièces fournies

Retirer les pièces de leur emballage. Vérifier que toutes les pièces sont présentes.

- Auvent de hotte avec ventilateur et lampes installés
- Raccord de transition avec clapets anti-reflux installés
- Filtre(s) à graisse métallique
- Bride de support du cache-conduit
- Gabarit de montage
- Cache-conduit - 2 pièces
- 2 vis de 3,5 x 9,5 mm
- 2 vis de 2,9 x 6,5 mm
- 6 vis de montage de 5 x 45 mm
- 2 - pièces d'ancrage mural de 8 x 40 mm
- 4 - pièces d'ancrage mural de 10 x 50 mm
- Adaptateur T20 Torx<sup>®†</sup>

## Exigences d'emplacement

**IMPORTANT :** Observer les dispositions de tous les codes et règlements en vigueur.

Confier l'installation de la hotte à un technicien qualifié. C'est à l'installateur qu'incombe la responsabilité de respecter les distances de séparation spécifiées sur la plaque signalétique de l'appareil. La plaque signalétique de l'appareil est située derrière le filtre de gauche, sur la paroi arrière de la hotte.

On doit toujours installer la hotte à distance des sources de courant d'air (fenêtres, portes et bouches de chauffage).

Respecter les dimensions indiquées pour les ouvertures à découper dans les placards. Ces dimensions tiennent compte des valeurs minimales des dégagements de séparation.

On doit disposer d'une prise de courant électrique reliée à la terre. Voir la section "Spécifications électriques".

La hotte est configurée à l'usine pour la décharge à travers le toit ou un mur. Pour une installation sans décharge à l'extérieur (recyclage), voir "Installations sans décharge à l'extérieur (recyclage) uniquement" à la section "Raccordement du circuit d'évacuation". La trousse de recyclage (pièce numéro W10349327) est disponible chez votre marchand ou chez un distributeur de pièces autorisé.

**REMARQUE :** Ce produit ne respecte pas les critères Energy Star lorsqu'il est installé dans une configuration sans décharge à l'extérieur (recyclage) avec l'ensemble facultatif de recyclage.

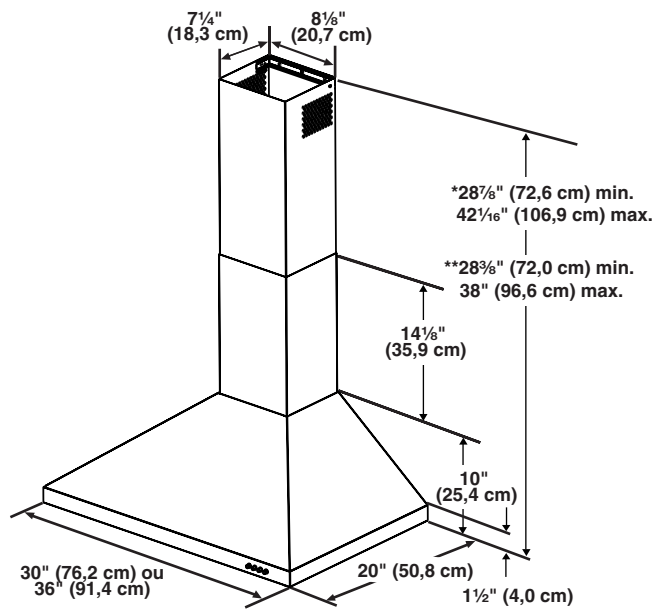
On doit assurer l'étanchéité au niveau de chaque ouverture découpée dans le plafond ou un mur traversé par l'équipement de la hotte.

### Installation dans une résidence mobile

L'installation de cette hotte doit satisfaire aux exigences de la norme Manufactured Home Construction Safety Standards, Titre 24 CFR, partie 328 (anciennement Federal Standard for Mobile Home Construction and Safety, titre 24, HUD, partie 280); lorsque cette norme n'est pas applicable, l'installation doit satisfaire aux critères de la plus récente édition de la norme Manufactured Home Installation 1982 (Manufactured Home Sites, Communities and Setups) ANSI A225.1/NFPA 501A, ou des codes locaux.

©†TORX est une marque déposée de Saturn Fasteners, Inc.

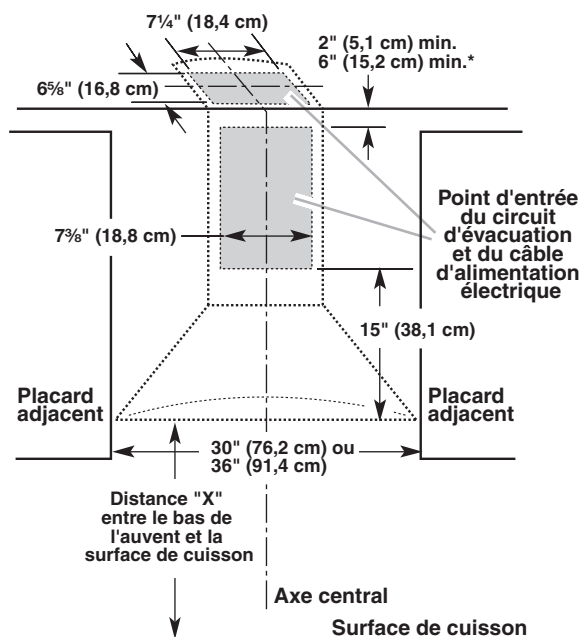
## Dimensions du produit



\*Pour installations sans décharge à l'extérieur (recyclage)

\*\*Pour installations avec décharge à l'extérieur

## Dimensions du placard



\*Installations sans décharge à l'extérieur (recyclage)

### IMPORTANT :

Valeur minimale de la distance "X" : 24" (61 cm) à partir de la surface de cuisson électrique  
 Valeur minimale de la distance "X" : 27" (68,6 cm) à partir des surfaces de cuisson au gaz.  
 Valeur maximale suggérée pour la distance "X" : 36" (91,4 cm)

Les cache-conduits peuvent être adaptés à différentes hauteurs de plafond. Voir le tableau suivant.

### Installations avec décharge à l'extérieur

	Hauteur min. sous plafond	Hauteur max. sous plafond
Surface de cuisson électrique	7' 5" (2,26 m)	9' 2" (2,79 m)
Surface de cuisson à gaz	7' 8" (2,34 m)	9' 2" (2,79 m)

### Installations sans décharge à l'extérieur (recyclage)

	Hauteur min. sous plafond	Hauteur max. sous plafond
Surface de cuisson électrique	7' 5" (2,26 m)	9' 6" (2,9 m)
Surface de cuisson à gaz	7' 8" (2,34 m)	9' 6" (2,9 m)

**\*REMARQUE :** Les cache-conduits de hotte sont réglables; on peut les ajuster en fonction de la hauteur disponible sous plafond ou soffite, selon la distance "X" entre le bas de la hotte et la surface de cuisson. Pour des plafonds de hauteur supérieure, un ensemble d'extension de cache-conduit en acier inoxydable, pièce numéro W10337357 est disponible chez votre marchand ou chez un distributeur de pièces autorisé. L'extension de cache-conduit remplace la section supérieure de cache-conduit fournie avec la hotte.

## Exigences concernant l'évacuation

(seulement pour un modèle avec décharge à l'extérieur)

- Le circuit d'évacuation doit décharger l'air à l'extérieur, excepté pour une installation sans décharge à l'extérieur (recyclage).
- Ne pas terminer le circuit d'évacuation dans un grenier ou dans un autre espace fermé.
- Ne pas utiliser une bouche de décharge murale de 4" (10,2 cm) normalement utilisée pour un équipement de buanderie.
- Utiliser uniquement du conduit métallique. Le conduit en métal rigide est recommandé. Ne pas utiliser de conduit de plastique ou en feuille métallique.
- La longueur du circuit d'évacuation et le nombre de coudes doit être réduit au minimum pour fournir la meilleure performance.

### Pour un fonctionnement efficace et silencieux :

- Ne pas utiliser plus de trois coudes à 90°.
- Veiller à ce qu'il y ait une section droite de conduit de 24" (61,0 cm) ou plus entre deux coudes, si on doit utiliser plus de un raccord coudé.
- Ne pas connecter 2 coudes ensemble.
- Au niveau de chaque jointure du circuit d'évacuation, assurer l'étanchéité avec les brides de serrage pour conduit.
- Le circuit d'évacuation doit comporter un clapet anti-reflux. Si la bouche de décharge murale ou par le toit comporte un clapet, ne pas utiliser le clapet fourni avec la hotte.
- Autour de la bouche de décharge à l'extérieur (mur ou toit), assurer l'étanchéité avec un composé de calfeutrage.
- La taille du conduit doit être uniforme.

## Installation dans une région à climat froid

On doit installer un clapet anti-reflux additionnel pour minimiser le reflux d'air froid, et incorporer un élément d'isolation thermique pour minimiser la perte de chaleur par conduction par l'intermédiaire du circuit d'évacuation, de l'intérieur de la maison à l'extérieur. Le clapet anti-reflux doit être placé du côté froid par rapport à l'élément d'isolation thermique.

L'élément d'isolation thermique doit être aussi proche que possible de l'endroit où le circuit d'évacuation pénètre la partie chauffée de la maison.

## Air d'appoint

Le code du bâtiment local peut exiger l'emploi d'un système de renouvellement de l'air/introduction d'air d'appoint, lors de l'utilisation d'un système d'aspiration de débit supérieur à une valeur (pieds cubes par minute) spécifiée. Le débit spécifié, pieds cubes par minute, est variable d'une juridiction à une autre. Consulter un professionnel des installations de chauffage/ventilation/climatisation au sujet des exigences spécifiques applicables dans la juridiction locale.

## Méthodes d'évacuation

Cette hotte a été configurée à l'usine pour la décharge de l'air aspiré à travers le toit ou à travers un mur.

Un circuit d'évacuation en conduit rond de 6" (15,2 cm) (non fourni) est nécessaire pour l'installation. La hotte comporte une ouverture de sortie de diamètre 6" (15,2 cm).

**REMARQUE :** On déconseille l'emploi de conduit flexible. Un conduit flexible peut causer une rétropression et des turbulences de l'air, ce qui réduit considérablement la performance.

La sortie à l'extérieur du circuit d'évacuation peut se faire à travers le toit ou à travers un mur. Pour la sortie à travers un mur, on doit employer un raccord coudé (90°).

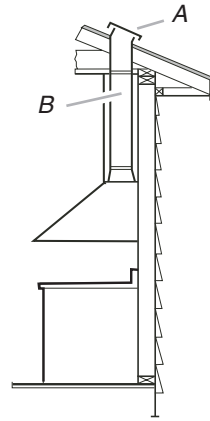
## Décharge par l'arrière

Le raccord coudé à 90° peut être installé immédiatement au-dessus de la hotte.

## Installation sans décharge à l'extérieur (recyclage)

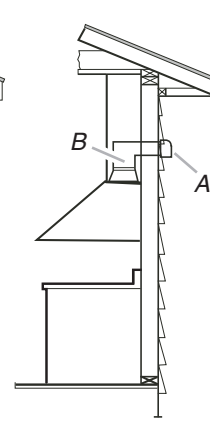
S'il n'est pas possible d'évacuer les fumées et vapeurs de cuisson à l'extérieur, on peut employer la version installation sans décharge à l'extérieur (recyclage) de la hotte, dotée d'un filtre à charbon et du déflecteur d'air. Les vapeurs/fumées sont alors recyclées à travers la grille supérieure.

### Décharge à travers le toit



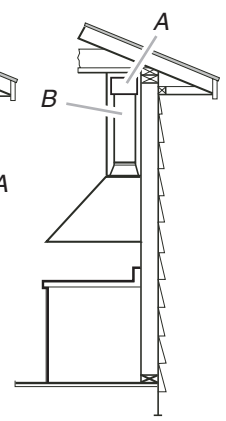
A. Bouche de décharge sur toit  
B. Conduit rond 6" (15,2 cm)

### Décharge à travers le mur



A. Bouche de décharge murale  
B. Conduit rond 6" (15,2 cm)

### Installation sans décharge à l'extérieur (recyclage)



A. Déflecteur d'air  
B. Conduit rond 6" (15,2 cm)

## Calcul de la longueur effective du circuit d'évacuation

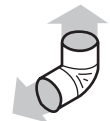
Pour calculer la longueur effective du circuit d'évacuation nécessaire, additionner les longueurs équivalentes (pieds/mètres) de tous les composants utilisés dans le circuit.

Composants de circuit d'évacuation	diam. 6" (15,2 cm)
------------------------------------	--------------------

Coude à 45°	2,5 pi (0,8 m)
-------------	----------------

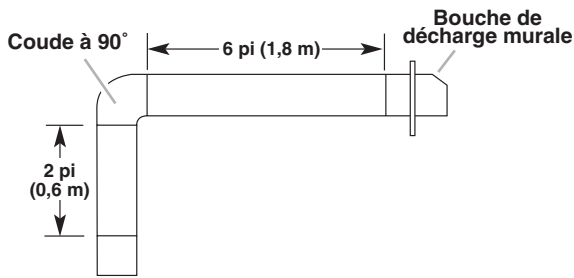


Coude à 90°	5 pi (1,5 m)
-------------	--------------



La longueur équivalente maximum est de 35 pi (10,7 cm).

## Exemple de circuit d'évacuation



Dans l'exemple suivant, la longueur théorique du circuit est inférieure au maximum recommandé de 35 pi (10,7 m).

1 coude à 90°	= 5 pi (1,5 m)
1 bouche de décharge murale	= 0 pi (0,0 m)
Section droite de 8 pi (2,4 m)	= 8 pi (2,4 m)
Longueur du circuit	= 13 pi (3,9 m)

## Spécifications électriques

Observer les dispositions de tous les codes et règlements en vigueur.

Vérifier que l'installation électrique a été correctement effectuée et qu'elle est conforme aux spécifications de la plus récente édition des normes National Electrical Code, ANSI/NFPA 70, ou de la norme CSA C22.1-94, Code canadien de l'électricité, partie 1 et C22.2 N° 0-M91 (dernière édition) et de tous les codes et règlements en vigueur locaux.

Si les codes le permettent et si on utilise un conducteur distinct de liaison à la terre, il est recommandé qu'un électricien qualifié vérifie la qualité de la liaison à la terre.

Pour obtenir un exemplaire de la norme des codes ci-dessus, contacter :

National Fire Protection Association  
One Batterymarch Park  
Quincy, MA 02269  
CSA International  
8501 East Pleasant Valley Road  
Cleveland, OH 44131-5575

- L'appareil doit être alimenté par un circuit de 120 V, CA seulement, 60 Hz, 15 A, protégé par fusible.
- Si le domicile est équipé d'un câblage en aluminium, suivre les instructions suivantes :

1. Connecter une section de câble en cuivre massif aux conducteurs en queue de cochon.
2. Connecter le câblage en aluminium à la section ajoutée de câblage en cuivre en utilisant des connecteurs et/ou des outils spécialement conçus et homologués UL pour fixer le cuivre à l'aluminium.

Appliquer la procédure recommandée par le fabricant des connecteurs. La connexion aluminium/cuivre doit être conforme aux codes locaux et aux pratiques de câblage acceptées par l'industrie.

- Le calibre des conducteurs et les connexions doivent être compatibles avec la demande de courant de l'appareil spécifiée sur la plaque signalétique. La plaque signalétique de l'appareil est située derrière le filtre, sur la paroi arrière de la hotte.
- Le calibre des conducteurs doit satisfaire aux exigences de la plus récente édition de la norme National Electrical Code, ANSI/NFPA 70, ou de la norme CSA C22.1-94, Code canadien de l'électricité, partie 1 et C22.2 n° 0-M91 (dernière édition) et de tous les codes et règlements en vigueur.

# INSTRUCTIONS D'INSTALLATION

## Préparation de l'emplacement

- Il est recommandé d'installer le circuit d'évacuation avant de procéder à l'installation de la hotte.
  - Avant d'exécuter les découpages, vérifier la disponibilité d'un dégagement suffisant dans le plafond ou le mur pour le conduit d'évacuation.
  - Avant de sélectionner la hotte à installer, mesurer la hauteur libre sous plafond et la hauteur maximum disponible sous la hotte.
1. Déconnecter la source de courant électrique.
  2. Déterminer la méthode d'évacuation à utiliser : décharge à travers le mur, le toit ou sans décharge à l'extérieur.
  3. Sélectionner une surface plane pour l'assemblage de la hotte. Placer le matériau de protection sur cette surface.

## ⚠ AVERTISSEMENT

### Risque du poids excessif

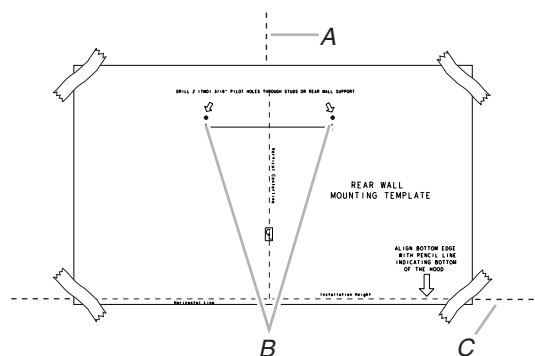
Utiliser deux ou plus de personnes pour déplacer et installer la hotte de la cuisinière.

Le non-respect de cette instruction peut causer une blessure au dos ou d'autre blessure.

4. À l'aide de deux personnes ou plus, soulever la hotte et la poser sur la surface couverte.

## Installation des vis de montage de la hotte

5. Déterminer et marquer la position de l'axe central sur le mur où la hotte sera installée.
6. Sélectionner une hauteur de montage comprise entre un minimum de 24" (61,0 cm) pour une surface de cuisson électrique, un minimum de 27" (68,6 cm) pour une surface de cuisson au gaz et un maximum suggéré de 36" (91,4 cm) entre le dessus et le bas de la hotte. Marquer la ligne de repérage sur le mur.
7. Fixer le gabarit en place avec du ruban adhésif; aligner l'axe central du gabarit et le bas du gabarit avec la ligne correspondant au bas de la hotte, et avec l'axe central déjà tracé sur le mur.



A. Axe central

B. Emplacements des attaches

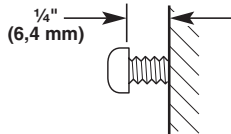
C. Ligne de référence pour la hauteur de montage

8. À l'aide du gabarit, marquer sur le mur le centre des attaches.

**IMPORTANT :** Toutes les vis doivent être vissées dans du bois. Si l'on ne peut pas visser les vis dans du bois, des tasseaux supplémentaires pour accrochage mural seront peut-être nécessaires.

Retirer le gabarit.

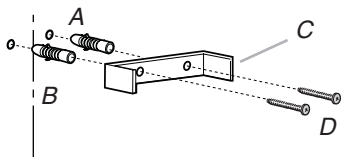
9. Percer des avant-trous de  $\frac{3}{16}$ " (4,8 mm) à tous les emplacements de pose des vis dans du bois.
10. Installer les 2 vis de montage de 5 x 45 mm. Laisser un espace de  $\frac{1}{4}$ " (6,4 mm) entre le mur et l'arrière de la tête de vis pour faire glisser la hotte et la mettre en place.



### Installation de la bride de cache-conduit

#### Installation avec utilisation des sections télescopiques supérieure et inférieure du cache-conduit

1. Positionner la bride de cache-conduit sur le mur à environ  $\frac{1}{8}$ " (3,0 mm) du plafond.
2. Faire des repères aux emplacements des trous.
3. Percer des trous de  $\frac{3}{8}$ " (9,5 mm) pour les chevilles et insérer ces dernières en affleurement avec le mur.



- A. Chevilles d'ancrage de 8 x 40 mm  
 B. Axe central sur le mur  
 C. Bride de support du cache-conduit  
 D. Vis de 5 x 45 mm

4. Fixer la bride de support du cache-conduit au mur.

### Achever la préparation

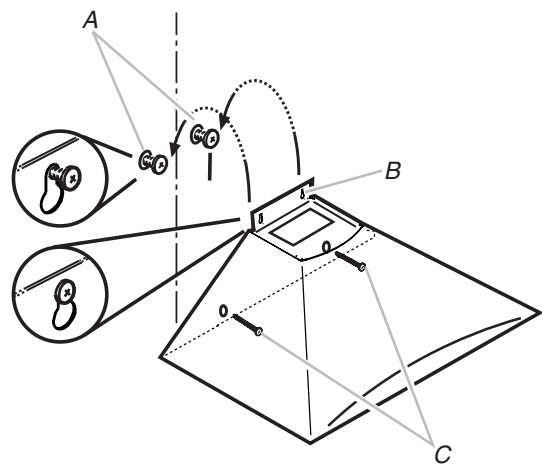
1. Déterminer et effectuer tous les découpages nécessaires dans le mur pour le passage du circuit d'évacuation. Installer le circuit d'évacuation avant la hotte. Voir la section "Exigences concernant l'évacuation".
2. Déterminer la hauteur appropriée pour le cordon d'alimentation du domicile et percer un trou de  $\frac{1}{4}$ " (3,2 cm) à cet endroit.
3. Acheminer le câble d'alimentation du domicile selon les prescriptions du Code national de l'électricité, des normes CSA et des codes et règlements locaux. Il faut que la longueur du conduit de  $\frac{1}{2}$ " et des conducteurs soit suffisante depuis le tableau de distribution (avec fusibles ou disjoncteurs) pour réaliser le raccordement dans le boîtier de connexion de la hotte.

**REMARQUE :** Ne pas remettre le système sous tension avant d'avoir complètement terminé l'installation.

4. Utiliser un calfeutrant pour assurer l'étanchéité au niveau de chaque ouverture.

### Installation de la hotte

1. À deux personnes au moins, suspendre la hotte aux 2 crochets de montage, à travers les encoches de montage à l'arrière de la hotte.

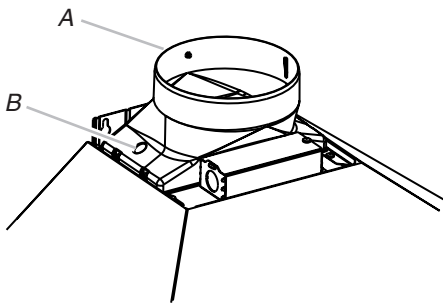


- A. Vis de montage  
 B. Encoches de montage  
 C. Vis de montage inférieures

2. Ôter le filtre à graisse. Voir la section "Entretien de la hotte".
3. Mettre la hotte de niveau et serrer les vis de montage supérieures.
4. Installer les 2 vis de montage inférieures de 5 x 45 mm et serrer.

## Raccordement du circuit d'évacuation

1. Installer le raccord de transition au sommet de la hotte (s'il a été enlevé pour expédition), avec 2 vis de tôlerie de 3,5 x 9,5 mm.



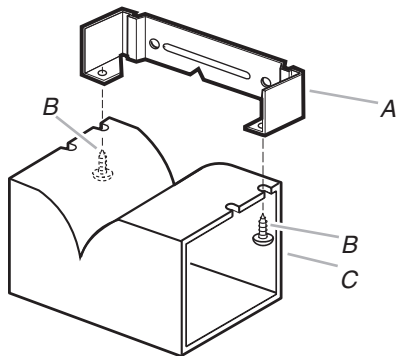
A. Raccord de transition  
B. Vis de 3,5 x 9,5 mm

### Pour les installations avec décharge à l'extérieur uniquement:

1. Installer le circuit d'évacuation sur le raccord de transition.
2. Serrer le point de connexion avec des brides de serrage.
3. Vérifier que les clapets anti-retour fonctionnent correctement.

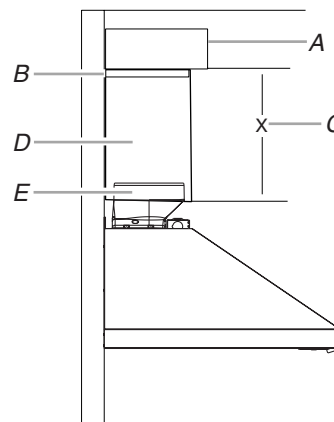
### Installations sans décharge à l'extérieur (recyclage) uniquement :

1. Assembler le déflecteur d'air sur la bride du cache-conduit à l'aide des 2 vis de montage fournies avec la trousse de recyclage.



A. Bride de cache-conduit  
B. Vis de 2,9 x 6,5 mm  
C. Déflecteur

2. Mesurer la distance entre le bas du déflecteur d'air et le bas de la sortie de la hotte.



A. Déflecteur d'air  
B. Bride pour conduit  
C. X = longueur à laquelle couper le conduit d'évacuation  
D. Conduit d'évacuation  
E. Sortie d'évacuation

3. Tailler le conduit à la taille mesurée (X).
4. Retirer le déflecteur d'air.
5. Faire coulisser le conduit sur le bas du déflecteur d'air.
6. Placer le déflecteur d'air et le conduit assemblés sur la sortie d'évacuation de la hotte.
7. Réassembler le déflecteur d'air sur la bride du cache-conduit à l'aide des 2 vis de montage.
8. Assurer l'étanchéité des raccordements avec une bride de conduit.

## Raccordement électrique

### ⚠ AVERTISSEMENT



#### Risque de choc électrique

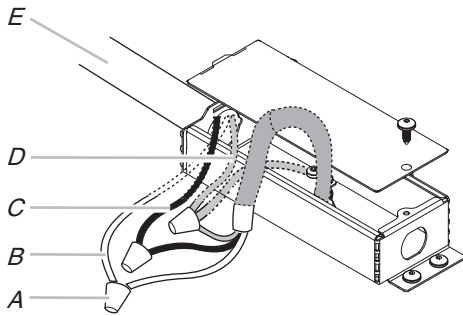
**Déconnecter la source de courant électrique avant l'entretien.**

**Replacer pièces et panneaux avant de faire la remise en marche.**

**Le non-respect de ces instructions peut causer un décès ou un choc électrique.**

1. Déconnecter la source de courant électrique.
2. Ôter le couvercle de la boîte de connexion.
3. Ôter l'opercule arrachable du boîtier de connexion et installer un serre-câble de 1/2" (homologation UL ou CSA).

4. Acheminer le cordon d'alimentation du domicile à travers le serre-câble de 1/2" jusque dans le boîtier de connexion.



- A. Connecteurs de fils (homologation UL)  
 B. Conducteurs blancs  
 C. Conducteurs noirs  
 D. Conducteur vert (ou nu) connecté aux conducteurs jaune-vert  
 E. Câble d'alimentation électrique du domicile

5. Connecter ensemble les conducteurs blancs (B) à l'aide de connecteurs de fils (homologation UL).
6. Connecter ensemble les conducteurs noirs (C) à l'aide de connecteurs de fils (homologation UL).

## ⚠ AVERTISSEMENT



### Risque de choc électrique

**Relier le ventilateur à la terre.**

**Brancher le fil relié à la terre au fil vert et jaune relié à la terre dans la boîte de la borne.**

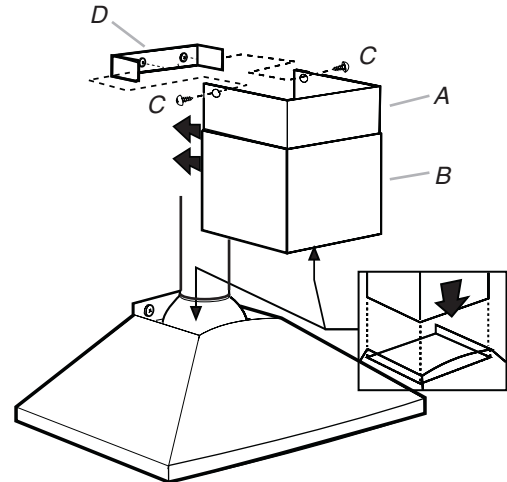
**Le non-respect de ces instructions peut causer un décès ou un choc électrique.**

7. À l'aide des connecteurs de fils (homologation UL), connecter le conducteur de liaison à la terre (vert ou nu) du câble d'alimentation du domicile aux conducteurs jaune-vert de liaison à la terre (D) dans le boîtier de connexion.
8. Serrer la vis du serre-câble.
9. Installer le couvercle du boîtier de connexion.
10. Reconnecter la source de courant électrique.

## Installation des cache-conduit

1. En cas d'utilisation des sections supérieure et inférieure du cache-conduit, pousser la section inférieure vers le bas, sur la hotte et soulever la section supérieure vers le plafond pour installer les deux vis de 2,9 x 6,5 mm.

**REMARQUE :** Pour les installations avec décharge à l'extérieur, le cache-conduit supérieur peut être inversé pour dissimuler les fentes.



- A. Section supérieure du cache-conduit  
 B. Cache-conduit – section inférieure  
 C. Vis de 2,9 x 6,5 mm  
 D. Bride

## Achever l'installation

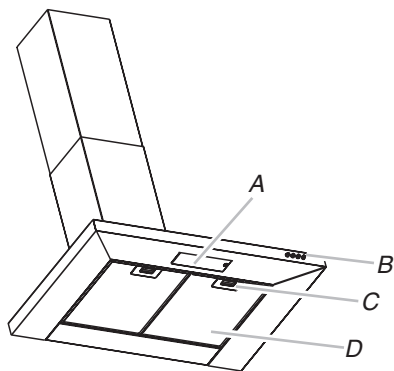
1. Pour les installations sans décharge à l'extérieur (recyclage) uniquement, installer les filtres à charbon sur la grille du logement du ventilateur. Voir la section "Entretien de la hotte".
2. Installer les filtres métalliques. Voir la section "Entretien de la hotte".
3. Contrôler le fonctionnement du ventilateur de la hotte et de la lampe. Voir la section "Utilisation de la hotte".

**REMARQUE :** Pour pouvoir tirer le plus grand parti de la nouvelle hotte de cuisinière, lire la section "Utilisation de la hotte".

# UTILISATION DE LA HOTTE

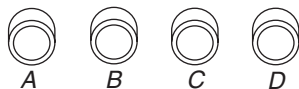
La hotte de cuisinière est conçue pour extraire fumée, vapeurs de cuisson et odeurs de la zone de la table de cuisson. Pour obtenir les meilleurs résultats, mettre le ventilateur de la hotte en marche avant d'entreprendre une cuisson, et laisser le ventilateur fonctionner pendant plusieurs minutes après l'achèvement d'une cuisson pour pouvoir évacuer de la cuisine toute trace d'odeur de cuisson, vapeur ou fumée.

Les commandes de la hotte sont situées sur le panneau avant de celle-ci, du côté droit.



A. Logements des lampes fluorescentes  
B. Commandes du ventilateur et de l'éclairage  
C. Poignée du filtre à graisse  
D. Filtre à graisse

## Commandes de la hotte de cuisinière



A. Bouton d'éclairage On/Off (marche/arrêt)  
B. Bouton de vitesse minimale et d'arrêt du ventilateur  
C. Bouton de vitesse moyenne du ventilateur  
D. Bouton de vitesse maximale du ventilateur

### Utilisation de la lampe

Le bouton d'éclairage On/Off contrôle les deux lampes. Appuyer une fois pour On (marche) et une deuxième fois pour Off (arrêt).

### Utilisation du ventilateur

Les boutons BLOWER SPEED (vitesse du ventilateur) activent le ventilateur et contrôlent la vitesse du ventilateur et le niveau sonore pour un fonctionnement silencieux. On peut modifier la vitesse à tout moment pendant le fonctionnement du ventilateur en appuyant sur le bouton de vitesse du ventilateur souhaité.

Appuyer une deuxième fois sur le bouton BLOWER OFF (arrêt ventilateur) pour éteindre le ventilateur.

# ENTRETIEN DE LA HOTTE

## Nettoyage

**IMPORTANT :** Nettoyer fréquemment la hotte et les filtres à graisse en suivant les instructions suivantes. Réinstaller les filtres à graisse avant de faire fonctionner la hotte.

### Surfaces externes :

**IMPORTANT :** Ne pas utiliser de tampons de récurage savonneux, de nettoyants abrasifs, de crème à polir pour table de cuisson, de laine d'acier, de chiffons de lavage rugueux ou d'essuie-tout.

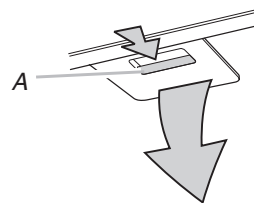
Pour éviter d'endommager les surfaces en acier inoxydable, ne pas utiliser de nettoyants contenant du chlore.

### Méthode de nettoyage :

- Frotter dans la direction du grain pour éviter d'égratigner ou d'endommager la surface.
- Nettoyant et poli pour acier inoxydable – Pièce n° 31462A (non inclus) : Voir la section "Assistance ou service" pour commander.
- Détergent liquide ou nettoyant tout-usage : Rincer à l'eau propre et sécher avec un chiffon doux sans charpie.
- Nettoyant à vitre pour éliminer les traces de doigts.

### Filtre à graisse métallique

1. Retirer chaque filtre en tirant sur la poignée à ressort puis en tirant le filtre vers le bas.



A. Poignée à ressort

2. Laver les filtres métalliques selon le besoin au lave-vaisselle ou avec une solution de détergent chaude.
3. Réinstaller le filtre en s'assurant que les poignées à ressort sont orientées vers l'avant. Insérer le filtre d'aluminium dans la rainure supérieure.
4. Enfoncer la poignée à ressort.
5. Pousser le filtre métallique vers le haut et relâcher la poignée pour l'emboîter.
6. Répéter les étapes 1 à 5 pour l'autre filtre.



## Filtres d'installation sans décharge à l'extérieur (recyclage) :

Le filtre à charbon n'est pas lavable. Celui-ci devrait durer pendant 6 mois dans des conditions d'utilisation normales. Remplacer par l'ensemble de filtre à charbon numéro W10294730.

### Remplacement du filtre à charbon :

1. Retirer le filtre à graisse métallique de la hotte. Voir "Filtre à graisse métallique" dans cette section.
2. Plier les attaches à ressort pour les écarter du filtre à graisse métallique.



3. Placer le filtre à charbon dans la partie supérieure du filtre métallique.
4. Déplier les attaches à ressort pour les remettre en place afin de fixer le filtre à charbon au filtre métallique.

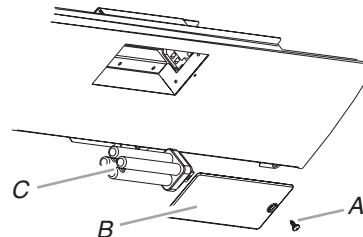


5. Réinstaller le filtre à graisse métallique. Voir "Filtre à graisse métallique" dans cette section.

## Remplacement d'une lampe fluorescente

Interrompre l'alimentation de la hotte; attendre le refroidissement de la lampe fluorescente. Si la nouvelle lampe ne fonctionne pas, vérifier que chaque lampe est correctement insérée dans sa douille avant de demander l'intervention d'un dépanneur.

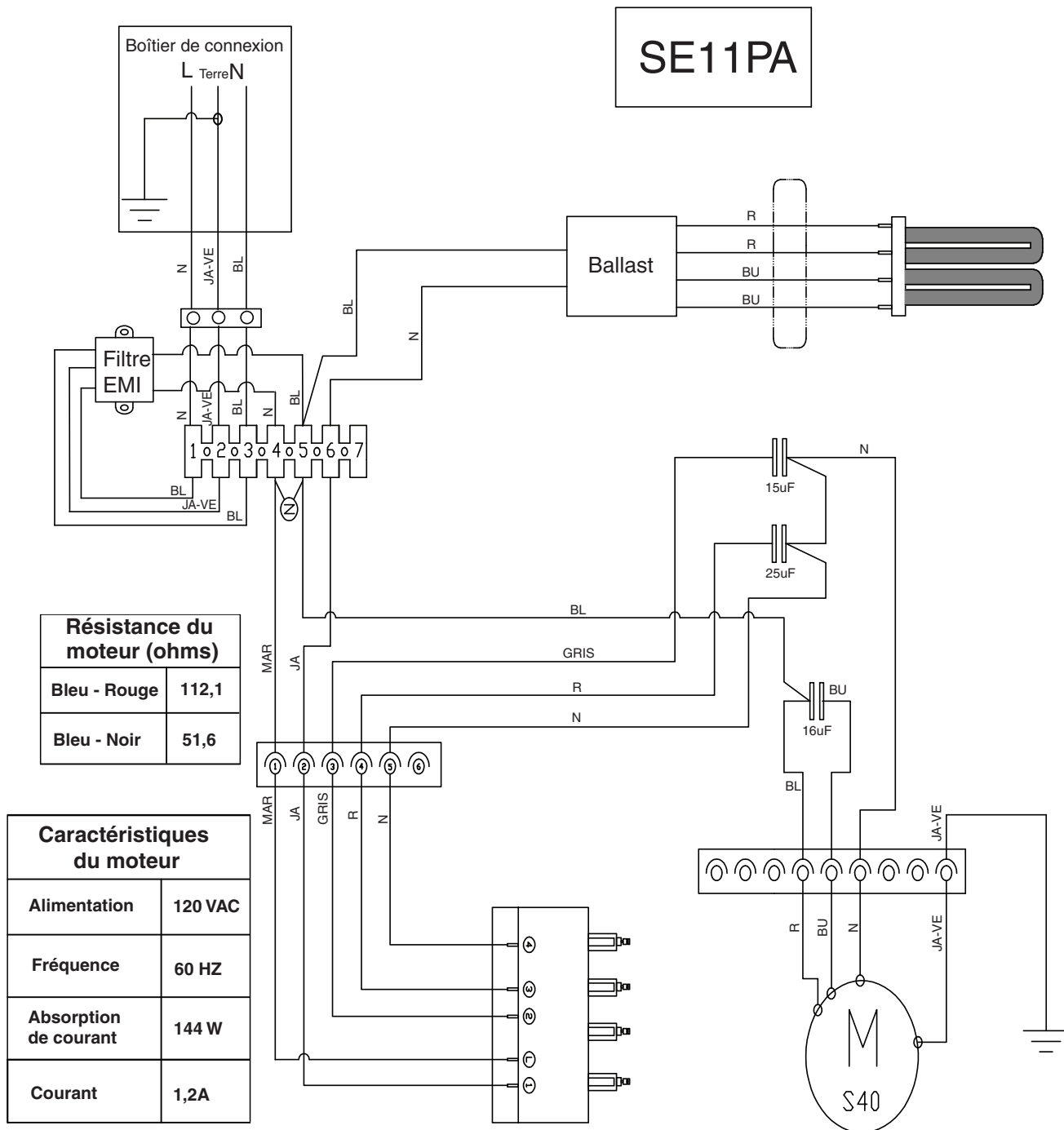
1. Déconnecter la source de courant électrique.
2. Retirer la vis du cabochon et retirer le cabochon.



A. Vis  
B. Cabochon  
C. Lampe fluorescente

3. Retirer l'ampoule de la douille et la remplacer par une ampoule fluorescente de 120 volts, 13 watts (maximum), 50° avec un culot GX24.
4. Réinstaller le cabochon et la vis. Serrer la vis.
5. Reconnecter la source de courant électrique.

# SCHÉMA DE CÂBLAGE



Résistance du moteur (ohms)	
Bleu - Rouge	112,1
Bleu - Noir	51,6

Caractéristiques du moteur	
Alimentation	120 VAC
Fréquence	60 HZ
Absorption de courant	144 W
Courant	1,2A

---

# ASSISTANCE OU SERVICE

Lors d'un appel pour assistance ou service, veuillez connaître la date d'achat, le numéro de modèle et le numéro de série complets de l'appareil. Ces renseignements nous aideront à mieux répondre à votre demande.

## Si vous avez besoin de pièces de rechange

Si vous avez besoin de commander des pièces de rechange, nous vous recommandons d'employer uniquement les pièces spécifiées par l'usine. Les pièces spécifiées par l'usine conviendront et fonctionneront bien parce qu'elles sont fabriquées avec la même précision utilisée dans la fabrication de chaque nouvel appareil. Pour localiser les pièces spécifiées par l'usine, dans votre région, nous appelons ou téléphonons au centre de service désigné le plus proche.

---

## Au Canada

Veuillez appeler sans frais le Centre pour l'expérience de la clientèle de Whirlpool Canada LP au : **1-800-807-6777** ou visitez notre site web à **www.whirlpool.ca**.

### Nos consultants vous renseigneront sur les sujets suivants :

- Caractéristiques et spécifications sur toute notre gamme d'appareils électroménagers.
- Consignes d'utilisation et d'entretien.
- Ventes d'accessoires et de pièces de rechange.
- Références aux marchands locaux, aux distributeurs de pièces de rechange et aux compagnies de service. Les techniciens de service désignés par Whirlpool Canada LP sont formés pour remplir la garantie des produits et fournir un service après la garantie, partout au Canada.

## Pour plus d'assistance

Si vous avez besoin de plus d'assistance, vous pouvez soumettre par écrit toute question ou préoccupation à Whirlpool Canada LP à l'adresse suivante :

Centre pour l'expérience de la clientèle  
Whirlpool Canada LP  
200 - 6750 Century Ave.  
Mississauga, Ontario L5N 0B7

Veuillez inclure dans votre correspondance un numéro de téléphone où on peut vous joindre dans la journée.

---

## Accessoires

### Ensemble d'extension de cache-conduit

Commander la pièce numéro W10337357

### Nettoyant et poli pour acier inoxydable

Commander la pièce numéro 31462A

### Ensemble Filtre à charbon

(pour installations sans décharge à l'extérieur uniquement)

Commander la pièce numéro W10294730

### Ensemble de recyclage

(pour installations sans décharge à l'extérieur uniquement)

Commander la pièce numéro W10349327

---

# GARANTIE DES GROS APPAREILS MÉNAGERS WHIRLPOOL CORPORATION

## GARANTIE LIMITÉE

Pendant un an à compter de la date d'achat, lorsque ce gros appareil ménager est utilisé et entretenu conformément aux instructions jointes à ou fournies avec le produit, Whirlpool Corporation ou Whirlpool Canada LP (ci-après désignées "Whirlpool") paiera pour les pièces spécifiées par l'usine et la main-d'œuvre pour corriger les vices de matériaux ou de fabrication. Le service doit être fourni par une compagnie de service désignée par Whirlpool. Cette garantie limitée est valide uniquement aux États-Unis ou au Canada et s'applique exclusivement lorsque l'appareil est utilisé dans le pays où il a été acheté. À l'extérieur du Canada et des 50 États des États-Unis, cette garantie limitée ne s'applique pas. Une preuve de la date d'achat original est exigée pour obtenir un service dans le cadre de la présente garantie limitée.

---

## ARTICLES EXCLUS DE LA GARANTIE

### La présente garantie limitée ne couvre pas :

1. Les visites de service pour rectifier l'installation du gros appareil ménager, montrer à l'utilisateur comment utiliser l'appareil, remplacer ou réparer des fusibles ou rectifier le câblage ou la plomberie du domicile.
2. Les visites de service pour réparer ou remplacer les ampoules électriques de l'appareil, les filtres à air ou les filtres à eau. Les pièces consommables ne sont pas couvertes par la garantie.
3. Les réparations lorsque le gros appareil ménager est utilisé à des fins autres que l'usage unifamilial normal ou lorsque les instructions d'installation et/ou les instructions de l'opérateur ou de l'utilisateur fournies ne sont pas respectées.
4. Les dommages imputables à : accident, modification, usage impropre ou abusif, incendie, inondation, actes de Dieu, installation fautive ou installation non conforme aux codes d'électricité ou de plomberie, ou l'utilisation de pièces consommables ou de produits nettoyants non approuvés par Whirlpool.
5. Les défauts apparents, notamment les éraflures, les bosses, fissures ou tout autre dommage au fini du gros appareil ménager, à moins que ces dommages soient dus à des vices de matériaux ou de fabrication et soient signalés à Whirlpool dans les 30 jours suivant la date d'achat.
6. Toute perte d'aliments due à une défaillance du réfrigérateur ou du congélateur.
7. Les coûts associés au transport du gros appareil ménager du domicile pour réparation. Ce gros appareil ménager est conçu pour être réparé à domicile et seul le service à domicile est couvert par la présente garantie.

8. Les réparations aux pièces ou systèmes résultant d'une modification non autorisée faite à l'appareil.
  9. Les frais de transport pour le service d'un produit si votre gros appareil est situé dans une région éloignée où un service d'entretien Whirlpool autorisé n'est pas disponible.
  10. La dépose et la réinstallation de votre gros appareil si celui-ci est installé dans un endroit inaccessible ou n'est pas installé conformément aux instructions d'installation fournies.
  11. Les gros appareils ménagers dont les numéros de série et de modèle originaux ont été enlevés, modifiés ou qui ne peuvent pas être facilement identifiés. La présente garantie est nulle si le numéro de série d'usine a été modifié ou enlevé du gros appareil ménager.
- Le coût d'une réparation ou d'un remplacement dans le cadre de ces circonstances exclues est à la charge du client.

---

#### CLAUSE D'EXONÉRATION DE RESPONSABILITÉ AU TITRE DES GARANTIES IMPLICITES; LIMITATION DES RECOURS

LE SEUL ET EXCLUSIF RECOURS DU CLIENT DANS LE CADRE DE LA PRÉSENTE GARANTIE LIMITÉE CONSISTE EN LA RÉPARATION PRÉVUE CI-DESSUS. LES GARANTIES IMPLICITES, Y COMPRIS LES GARANTIES APPLICABLES DE QUALITÉ MARCHANDE ET D'APTITUDE À UN USAGE PARTICULIER, SONT LIMITÉES À UN AN OU À LA PLUS COURTE PÉRIODE AUTORISÉE PAR LA LOI. WHIRLPOOL N'ASSUME AUCUNE RESPONSABILITÉ POUR LES DOMMAGES FORTUITS OU INDIRECTS. CERTAINES JURIDICTIONS NE PERMETTENT PAS L'EXCLUSION OU LA LIMITATION DES DOMMAGES FORTUITS OU INDIRECTS, OU LES LIMITATIONS DE LA DURÉE DES GARANTIES IMPLICITES DE QUALITÉ MARCHANDE OU D'APTITUDE À UN USAGE PARTICULIER, DE SORTE QUE CES EXCLUSIONS OU LIMITATIONS PEUVENT NE PAS S'APPLIQUER DANS VOTRE CAS. CETTE GARANTIE VOUS CONFÈRE DES DROITS JURIDIQUES SPÉCIFIQUES ET VOUS POUVEZ ÉGALEMENT JOUIR D'AUTRES DROITS QUI PEUVENT VARIER D'UNE JURIDICTION À UNE AUTRE.

---

Si vous résidez à l'extérieur du Canada et des 50 États des États-Unis, contactez votre marchand Whirlpool autorisé pour déterminer si une autre garantie s'applique.

Si vous avez besoin de service, voir d'abord la section "Dépannage" du Guide d'utilisation et d'entretien. Après avoir vérifié la section "Dépannage", de l'aide supplémentaire peut être trouvée en vérifiant la section "Assistance ou service" ou en appelant Whirlpool. Aux É.-U., composer le **1-800-253-1301**. Au Canada, composer le **1-800-807-6777**. 2/09

---

**Conservez ce manuel et votre reçu de vente ensemble pour référence ultérieure. Pour le service sous garantie, vous devez présenter un document prouvant la date d'achat ou d'installation.**

Inscrivez les renseignements suivants au sujet de votre gros appareil ménager pour mieux vous aider à obtenir assistance ou service en cas de besoin. Vous devrez connaître le numéro de modèle et le numéro de série au complet. Vous trouverez ces renseignements sur la plaque signalétique située sur le produit.

Nom du marchand \_\_\_\_\_  
Adresse \_\_\_\_\_  
Numéro de téléphone \_\_\_\_\_  
Numéro de modèle \_\_\_\_\_  
Numéro de série \_\_\_\_\_  
Date d'achat \_\_\_\_\_

**W10320580B**

©2011 Whirlpool Corporation.  
All rights reserved.  
Tous droits réservés.

© Registered Trademark/TM Trademark of Whirlpool, U.S.A., Whirlpool Canada LP Licensee in Canada  
© Marque déposée/TM Marque de commerce de Whirlpool, U.S.A., emploi sous licence par Whirlpool Canada LP au Canada

2/11  
Printed in Mexico  
Imprimé au Mexique

## Free Manuals Download Website

<http://myh66.com>

<http://usermanuals.us>

<http://www.somanuals.com>

<http://www.4manuals.cc>

<http://www.manual-lib.com>

<http://www.404manual.com>

<http://www.luxmanual.com>

<http://aubethermostatmanual.com>

Golf course search by state

<http://golfingnear.com>

Email search by domain

<http://emailbydomain.com>

Auto manuals search

<http://auto.somanuals.com>

TV manuals search

<http://tv.somanuals.com>