

# VENTED KITCHEN RANGE HOOD FOR 120 V. OPERATION



KITCHEN RANGE HOOD MODEL  
RH2300XL-2 SERIES

## INSTALLATION INSTRUCTIONS

### READ AND SAVE THESE INSTRUCTIONS

Before you begin, read the following instructions completely and carefully. If followed, they will simplify the installation job.

**IMPORTANT: OBSERVE ALL GOVERNING CODES AND ORDINANCES**

**SAVE THESE INSTRUCTIONS FOR THE LOCAL ELECTRICAL INSPECTOR'S USE**

For most efficient operation, the top of the hood should be approximately 66 inches (167.6 cm) from the floor. See Figure 5 for examples of two typical ductwork installations. Choose the best method for your installation.

1. Mark locations for ventilating duct and electrical wiring from dimensions given in Figure 1.
2. Cut holes at marked locations to accommodate ventilating duct and electrical wiring. Allow  $\frac{1}{8}$ " (1.91 cm) extra on ventilating opening toward the front of the cabinet directly above the hood (See Figure 2). Be sure to minimize openings through the outside walls or ceiling. These will have to be sealed later.
3. Run the wire through the wall or cabinets according to the National Electrical Code and applicable local codes. **DO NOT** turn power on until installation is complete.
4. Remove the screws holding the junction box cover (See Figure 7).

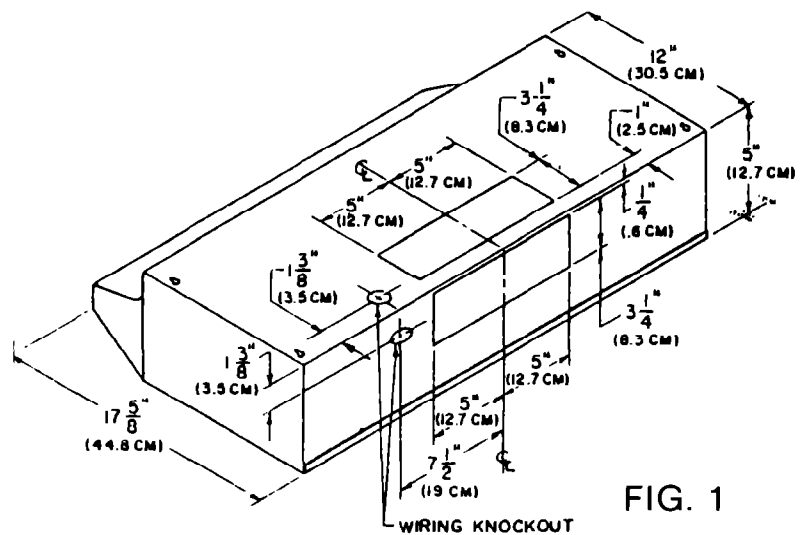
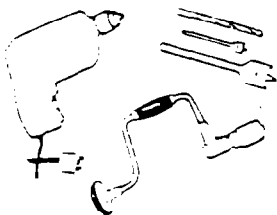


FIG. 1

### TOOLS AND MATERIALS REQUIRED



- Drill, electric or ratchet drive, with  $1\frac{1}{4}$ " wood bit (to drill an access hole in the cabinet or kitchen wall for the electric power line.)



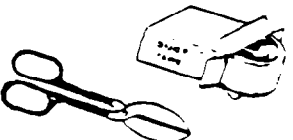
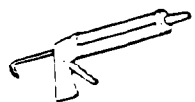
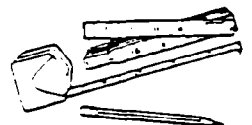
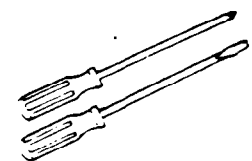
- One common head screwdriver (to secure hood mounting screws to the cabinet and hood sheet metal parts).

- Pliers (for opening knockouts).

- Pencil, ruler and level for marking cabinet locations.

- Saber saw or keyhole saw for cutting the wall or cabinet openings.

- Caulking, metal snips, duct tape, ducts (with elbow and transition, if necessary) and wall cap or roof cap, as required.



5. Lift the hood into position and mark the hole locations on the cabinet for each of the four keyhole mounting slots.
6. Remove the hood and start all four screws in the center of the narrow neck of the keyhole slot marked on the cabinet bottom (See Figure 3).
7. Install proper ductwork.
8. Lift the hood into position simultaneously feeding the electrical wire through the knockout.
9. Tighten the four mounting screws to secure the hood to the cabinet. Be sure the screw heads are in the narrow neck of the keyhole slot (Figure 3).
10. Complete electrical wiring in the junction box according to the National Electrical Code and applicable local codes.

NOTE: This unit must be permanently grounded.

11. Replace junction box cover.
12. Seal holes around ventilating pipe and wiring passing through ceiling or outside wall with caulking or insulation to prevent energy loss.

NOTE: It has been found that a large part of the energy loss of the average home is due to outside air infiltrating the structure. Seal around duct work where it passes through outside walls or ceiling. Seal around electrical wiring. And be sure damper is working properly.

13. Be sure that damper which is supplied with this product is properly installed. (See Figures 4 & 5).

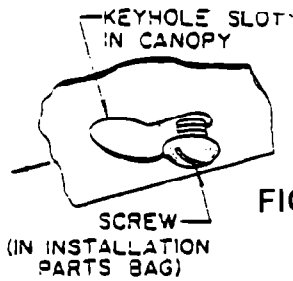


FIG. 3

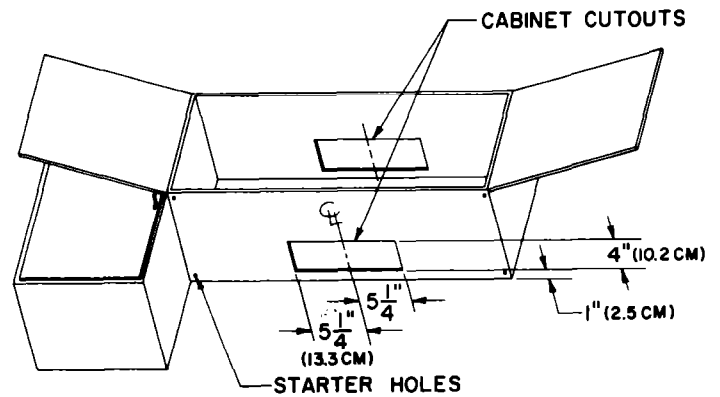


FIG. 2

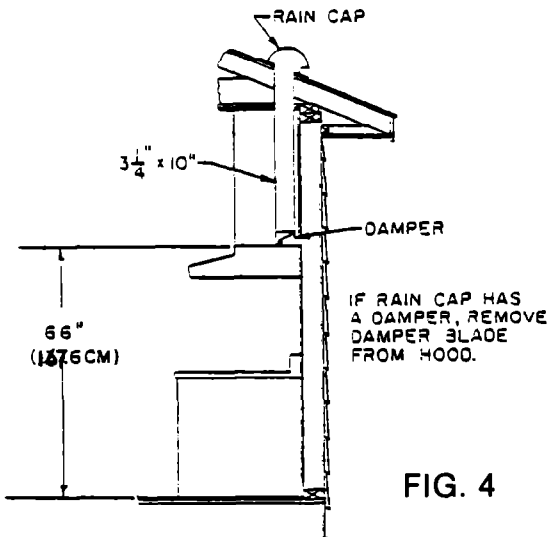


FIG. 4

Vertical Venting  
3 1/4\" x 10\" Rectangular

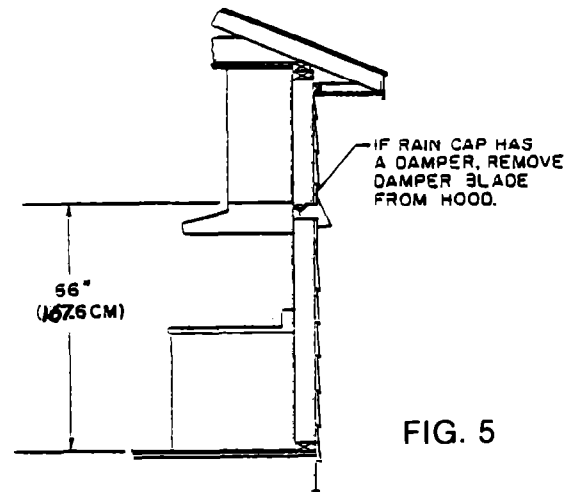


FIG. 5

Horizontal Venting

**CARE OF FILTERS:**

**ALUMINUM FILTER:** For greater efficiency, the permanent type aluminum filter should be removed and cleaned periodically.

To clean, the filter should be soaked in hot water and detergent, and thoroughly rinsed. The aluminum filter can be cleaned in a dishwasher.

**LIGHTS:**

Do not use bulb larger than 60 watts in light socket.

**CARE OF FAN MOTOR:**

Fan motor has life time sealed bearings that never need oiling under normal usage. A few drops on each bearing after three years of heavy usage will prolong the motor life. Clean motor with a damp cloth and grease cutting detergent when a heavy coating of grease has accumulated.

**CARE OF EXTERIOR SURFACES:**

Your range hood is a beautifully finished addition to your kitchen and requires only the care you give your range to preserve its lasting beauty. Clean with a mild detergent to preserve finish. **DO NOT** use abrasive cleaners.

For most effective removal of smoke and odors, turn on fan at beginning of cooking operation and allow to run until smoke and odors are removed from room.

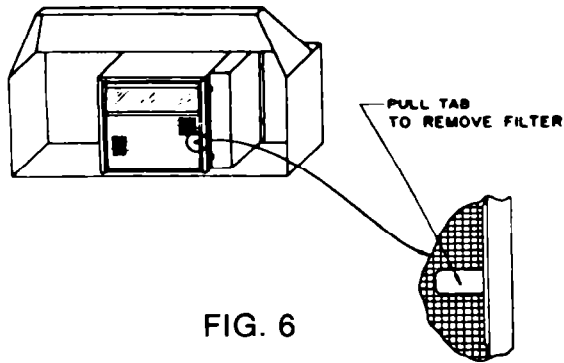


FIG. 6

**IMPORTANT SAFEGUARDS FOR ELECTRICAL APPLIANCES**

When using electrical appliances, basic safety precautions should always be followed including the following:

1. Read and follow all instructions.
2. Close supervision is necessary when any appliance is used by or near children.
3. To avoid providing fuel for a grease pan fire, clean lint and grease from all hood surfaces - interior and exterior. Be sure to remove and clean air filter every three months.
4. Do not saturate electrical connections, switches, and motor in water during cleaning. Remember, **WATER AND ELECTRICITY DO NOT MIX!**
5. If any electrical malfunction becomes evident during use, disconnect power to hood at your home fuse or breaker box.
6. To prevent risk of fire, electric shock, or injury, be sure to disconnect power before cleaning or servicing.

**WARNING:** To reduce the risk of fire or electric shock, do not use this fan with any solid-state speed control device.

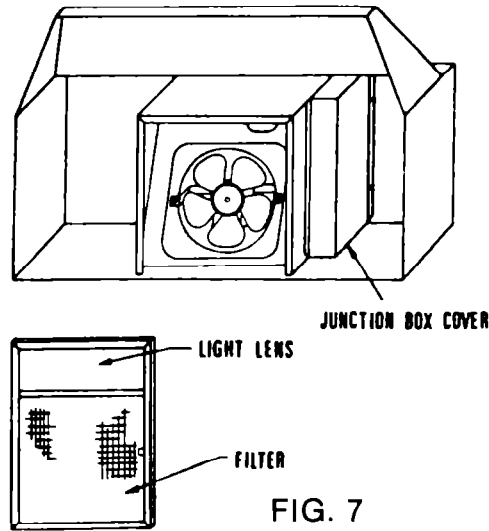


FIG. 7

**If you need service or assistance, we suggest you follow these four steps:**

**1. Before calling for assistance...**

Performance problems often result from little things you can find and fix yourself without tools.

If nothing operates;

- Have you checked the main fuse or circuit breaker box?

**2. If you need assistance...**

Call the Whirlpool COOL -LINE® service assistance telephone number. Dial free from:

Continental U.S. .... (800) 253-1301  
 Michigan ..... (800) 632-2243  
 Alaska & Hawaii ..... (800) 253-1121

and talk with one of our trained Consultants. The Consultant can instruct you in how to obtain satisfactory operation from your appliance or, if service is necessary, recommend a qualified service company in your area.



**3. If you need service...**



Whirlpool has a nationwide network of franchised TECH-CARE® Service Companies. TECH-CARE service technicians are trained to fulfill the product warranty and provide after-

warranty service anywhere in the United States. To locate TECH-CARE service in your area, call our COOL-LINE service assistance telephone number (see Step 2) or look in your telephone directory Yellow Pages under:

APPLIANCES—HOUSEHOLD MAJOR—SERVICE & REPAIR	OR	ELECTRICAL APPLIANCES— MAJOR—REPAIRING & PARTS
WHIRLPOOL APPLIANCES FRANCHISED TECH-CARE SERVICE	OR	WHIRLPOOL APPLIANCES FRANCHISED TECH-CARE SERVICE
SERVICE COMPANIES XYZ SERVICE CO. 123 Maple ..... 999-9999	OR	SERVICE COMPANIES XYZ SERVICE CO. 123 Maple ..... 999-9999
		WASHING MACHINES, DRYERS & IRONERS—SERVICING
		WHIRLPOOL APPLIANCES FRANCHISED TECH-CARE SERVICE
		SERVICE COMPANIES XYZ SERVICE CO. 123 Maple ..... 999-9999

**4. If you have a problem...**

Call our COOL-LINE service assistance telephone number (see Step 2) and talk with one of our Consultants, or if you prefer, write to:

Mr. Robert Stanley, Division Vice President  
 Whirlpool Corporation  
 Administrative Center  
 2000 US-33 North  
 Benton Harbor, MI 49022

If you must call or write, please provide model number, serial number, date of purchase, and a complete description of the problem. This information is needed in order to better respond to your request for assistance.

## Free Manuals Download Website

<http://myh66.com>

<http://usermanuals.us>

<http://www.somanuals.com>

<http://www.4manuals.cc>

<http://www.manual-lib.com>

<http://www.404manual.com>

<http://www.luxmanual.com>

<http://aubethermostatmanual.com>

Golf course search by state

<http://golfingnear.com>

Email search by domain

<http://emailbydomain.com>

Auto manuals search

<http://auto.somanuals.com>

TV manuals search

<http://tv.somanuals.com>