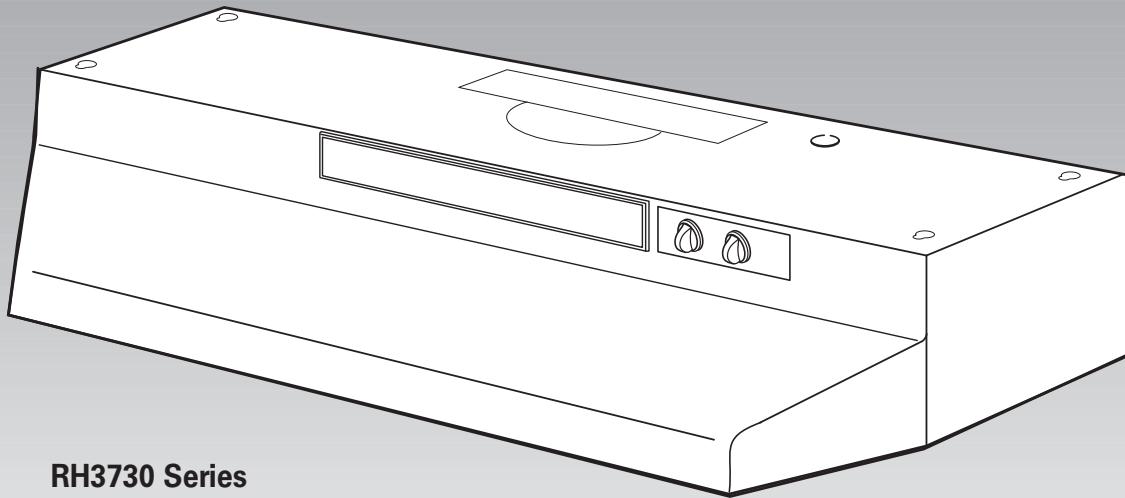


Installation Instructions and Use and Care Guide

30" (76.2 cm) and 36" (91.4 cm) Convertible Range Hood



RH3730 Series
RH3736 Series

www.whirlpool.com

IMPORTANT:
Read and save
these instructions.

IMPORTANT:

Installer: Leave Installation Instructions with the homeowner.

Homeowner: Keep Installation Instructions for future reference.

Save Installation Instructions for local electrical inspector's use.

Quick Reference

Table of Contents:

Pages

2	Before you start
2	Electrical requirements
3	Product dimensions
3	Venting requirements
4 - 6	Installation steps
7 - 8	Use and Care Information
8	Warranty
9 - 10	Requesting Assistance or Service

626918A/9763368

Before you start...

Your safety and the safety of others is very important.

We have provided many important safety messages in this manual and on your appliance. Always read and obey all safety messages.



This is the safety alert symbol. This symbol alerts you to potential hazards that can kill or hurt you and others. All safety messages will follow the safety alert symbol and either the word "DANGER" or "WARNING". These words mean:

DANGER

You can be killed or seriously injured if you don't **immediately** follow instructions.

WARNING

You can be killed or seriously injured if you don't follow instructions.

All safety messages will tell you what the potential hazard is, tell you how to reduce the chance of injury, and tell you what can happen if the instructions are not followed.

Important: Observe all governing codes and ordinances.

Proper installation is your responsibility. Make sure you have everything necessary for correct installation. It is the responsibility of the installer to comply with the clearances specified.

Check the location where the range hood will be installed. The location should be away from strong draft areas, such as windows, doors, and strong heating vents.

Mobile home installation

The installation of this range hood must conform to the Manufactured Home Construction Safety Standards, Title 24 CFR, Part 328 (formerly the Federal Standard for Mobile Home Construction and Safety, Title 24, HUD, Part 280) or when such standard is not applicable, the Standard for Manufactured Home Installation 1982 (Manufactured Home Sites, Communities and Setups) ANSI A225.1/NFPA 501A*, or latest edition, or with local codes.

WARNING — TO REDUCE THE RISK OF FIRE, ELECTRIC SHOCK, OR INJURY TO PERSONS, OBSERVE THE FOLLOWING:

Installation work and electrical wiring must be done by qualified person(s) in accordance with all applicable Codes and Standards, including Fire Rated Construction. Sufficient air is needed for proper combustion and exhausting of gases through the flue (chimney) of fuel burning equipment to prevent back drafting. Follow the heating equipment manufacturer's guideline and safety standards such as those published by the National Fire Protection Association (NFPA), and the American Society of Heating Refrigeration and Air Conditioning Engineers (ASHRAE), and the local code authorities.

When cutting or drilling into wall or ceiling, do not damage electrical wiring and other hidden utilities.

Ducted fans must always be vented to the outdoors.

WARNING — To reduce the risk of fire, use only metal ductwork.

This unit must be grounded.

This hood is factory set for vented installations. For non-vented installations, purchase Filter Kit No. 883093 (includes Filter/Light Lens No. 883149 and Charcoal Filter Pads No. 883151) from your dealer.

Tools and materials needed for installation:

- | | |
|--------------------------|--|
| • flat blade screwdriver | • 1-1/4" (3.0 cm) drill bit |
| • pliers | • 1/8" (or 3 mm) drill bit for pilot holes |
| • drill | • pencil |
| • ruler | |

For vented installations, you also need:

- | | |
|---|---|
| • compass or 8" (20.3 cm) circle template | • duct tape |
| • metal snips | • 7" (17.8 cm) round damper if using 7" (17.8 cm) round vent system |
| • keyhole saw | |
| • saber saw | |

Cabinets with recessed bottoms:

- 2, 2" (5.8 cm) wide filler strips. Length and thickness determined by recess dimensions.
- 4 flat head wood screws or machine screws with washers and nuts to attach filler strips.

Parts supplied:

- filter with built-in light lens
- 3-1/4" x 10" (8.3 x 25.4 cm) damper/vent connector
- parts bag

Electrical requirements

Important: Observe all governing codes and ordinances.

It is the customer's responsibility:

- To contact a qualified electrical installer.
- To assure that the electrical installation is adequate and in conformance with National Electrical Code, ANSI/NFPA 70 — latest edition*, or CSA Standards C22.1-94, Canadian Electrical Code, Part 1 and C22.2 No.0-M91 - latest edition** and all local codes and ordinances.

A separate ground wire must be used. It is recommended that a qualified electrician determine that the ground path is adequate.

A 120-volt, 60-Hz, AC-only, fused electrical system is required. A separate 15-amp circuit is recommended.

Do not ground to a gas pipe.

Check with a qualified electrician if you are not sure range hood is properly grounded.

Do not have a fuse in the neutral or ground circuit.

IMPORTANT:

Save Installation Instructions for electrical inspector's use.

The range hood must be connected with copper wire only.

The range hood should be connected directly to the fused disconnect (or circuit breaker) box through flexible armored or nonmetallic sheathed copper cable. A U.L.- or C.S.A.-listed strain relief must be provided at each end of the power supply cable. Wire sizes (COPPER WIRE ONLY) and connections must conform with the rating of the appliance as specified on the model/serial rating plate.

Wire sizes must conform to the requirements of the National

Electrical Code ANSI/NFPA 70 — latest edition*, or CSA Standards C22.1-94, Canadian Electrical Code Part 1 and C22.2 No. 0-M91 - latest edition** and all local codes and ordinances.

A U.L.- or C.S.A.-listed conduit connector must be provided at each end of the power supply cable (at the range hood and at the junction box).

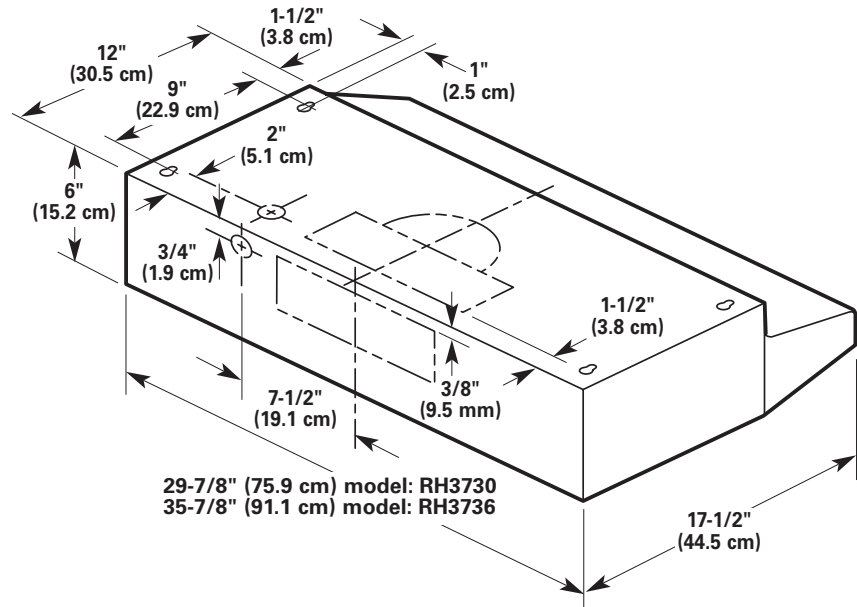
In U.S. only: For power cord connected installations, a U.L.-listed range hood cord-connection kit **MUST** be used. Cord kit has not been evaluated for use in Canada.

Copies of the standards listed may be obtained from:

* National Fire Protection Association
One Batterymarch Park
Quincy, Massachusetts 02269

** CSA International
8501 East Pleasant Valley Road
Cleveland, Ohio 44131-5575

Product dimensions



Venting requirements

Venting system must terminate to the outside.

Do not terminate the vent in an attic or other enclosed space.

Do not use four-inch (10.2 cm) laundry-type wall caps.

Do not use plastic vent.

Vent system needed for installation is not included.

Determine which outside venting method needs to be used. It is recommended that the vent system be installed before installing the hood.

NOTE: If a non-vented (recirculating) installation is desired, follow instructions on Page 5.

The length of the vent system and number of elbows should be kept to a minimum to provide efficient performance. The size of the vent system should be uniform. Do Not install two elbows together. Use duct tape to seal all joints in the vent system. Vent system can terminate either through the roof or wall. Use caulking to seal exterior wall or roof opening around exhaust hood. For the most efficient and quiet operation, it is recommended that the range be vented vertically through the

roof through 7" (17.8 cm) round vent system.

Figures 1 and 2 show common venting methods and what types of materials are needed.

Recommended vent length

Use 3-1/4" x 10" (8.3 x 25.4 cm) with a maximum vent length of 35 feet (10.7 m) or 7" (17.8 cm) round vent with a maximum length of 50 feet (15.2 m) for vent system. For best performance, use no more than three 90° elbows. To calculate the length of system you need, add the equivalent feet (meters) for each vent piece used in the system. See the examples on the next page.

Vertical roof venting

7" (17.8 cm) round or 3-1/4" x 10" (8.3 x 25.4 cm) through roof

Round vent: Use 7" (17.8 cm) round damper (purchased separately)

24" (61.0 cm) to 30" (76.2 cm) above cooking surface

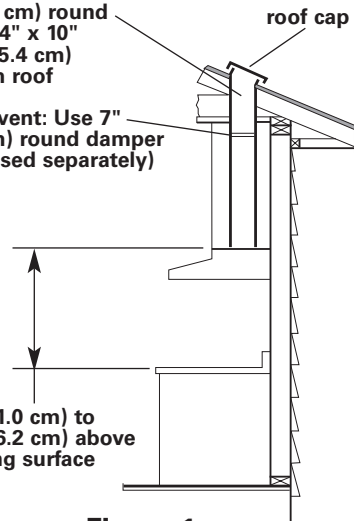


Figure 1

Horizontal wall venting

7" (17.8 cm) round or 3-1/4" x 10" (8.3 x 25.4 cm) through the wall

3-1/4" x 10" (8.3 x 25.4 cm) through the wall

24" (61.0 cm) to 30" (76.2 cm) above cooking surface

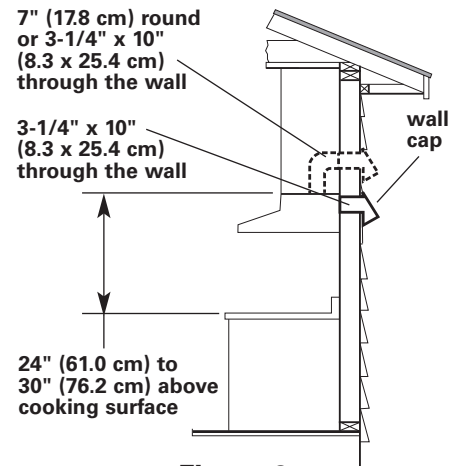
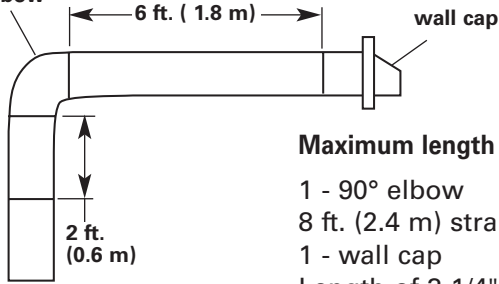


Figure 2


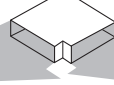

3-1/4" x 10" (8.3 x 25.4 cm) vent system

3-1/4" x 10"
(8.3 x 25.4 cm)
elbow

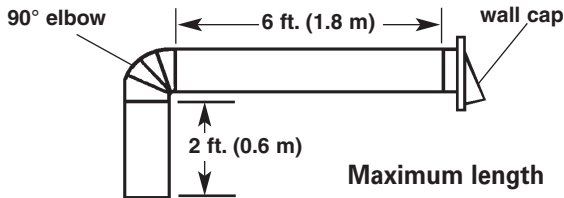


Maximum length	=	35 ft. (10.7 m)
1 - 90° elbow	=	5 ft. (1.5 m)
8 ft. (2.4 m) straight	=	8 ft. (2.4 m)
1 - wall cap	=	0 ft. (0 m)
Length of 3-1/4" x 10" (8.3 x 25.4 cm) system	=	13 ft. (3.9 m)

Recommended standard fittings




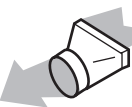
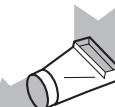
		
3-1/4" x 10" (8.3 x 25.4 cm) 90° elbow = 5 ft. (1.5 m)	3-1/4" x 10" (8.3 x 25.4 cm) flat elbow = 12 ft. (3.7 m)	3-1/4" x 10" (8.3 x 25.4 cm) wall cap = 0 ft. (0 m)

7" (17.8 cm) vent system



Maximum length	=	50 ft. (15.2 m)
1 - 90° elbows	=	5 ft. (1.5 m)
1 - wall cap	=	0 ft. (0 m)
8 ft. (2.4 m) straight	=	8 ft. (2.4 m)
Length of 7" (17.8 cm) system	=	13 ft. (3.9 m)

Recommended standard fittings

				
90° elbow = 5 ft. (1.5 m)	45° elbow = 2.5 ft. (0.8 m)	7" (17.8 cm) wall cap = 0 ft. (0 m)	3-1/4" x 10" (8.3 x 25.4 cm) to 7" (17.8 cm) = 4.5 ft. (1.4 m)	3-1/4" x 10" (8.3 x 25.4 cm) to 7" (17.8 cm) 90° elbow = 5 ft. (1.5 m)

Now start...
With range hood in kitchen.

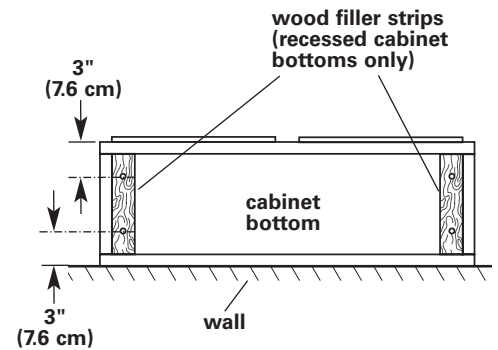
Slide cardboard or hardboard under range before moving range across floor to prevent damaging floor covering.

Cover countertop, cooktop or set-in range with a thick, protective covering to prevent damaging them.

1. Disconnect and move freestanding range from cabinet opening to provide easier access to upper cabinet and rear wall. Put a thick, protective covering over cooktop, set-in range or countertop to protect from damage or dirt.

2. Determine which venting method (roof or wall venting or non-venting) you need to use. This range hood is shipped for vented installation.

Prepare hood location

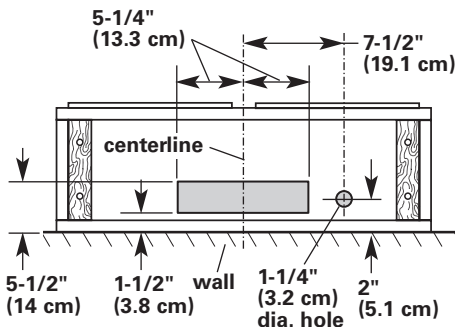


3. If cabinet has recessed bottom, add wood filler strips on each side. Locate screws to attach filler strips in locations shown.

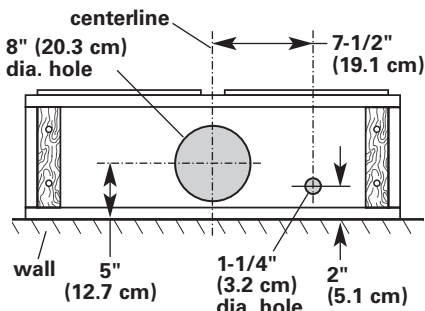
4. From the diagrams below, select the diagram for your installation.

Vented installations: Cut the vent system and electrical wiring access holes as required. Either wiring hole can be used.

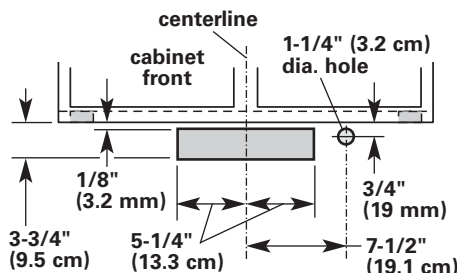
Non-vented installations: Cut only the one 1-1/4" (3.2 cm) dia. wiring access hole required. If wiring through the top, use location shown in VERTICAL vent systems. If wiring through the back, use location shown in HORIZONTAL vent system.



**3-1/4" x 10" (8.3 x 25.4 cm)
RECTANGULAR VERTICAL
vent system**



**7" (17.8 cm)
ROUND VERTICAL
vent system**

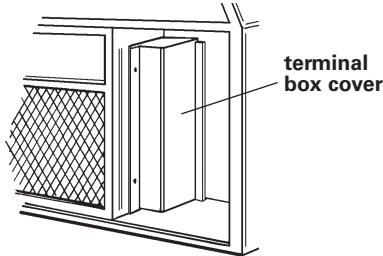


**3-1/4" x 10" (8.3 x 25.4 cm)
HORIZONTAL
vent system**

Prepare and install the hood

⚠ WARNING

Excessive Weight Hazard
Use two or more people to move and install range hood.
Failure to do so can result in back or other injury.



5. Remove terminal box cover. Depending on your installation, remove either back or top wiring knockout.

6. Remove the rectangular damper/vent connector from hood. Set connector and screws aside for use if connecting to a rectangular vent system.

For vented installations, go to Step 7a.

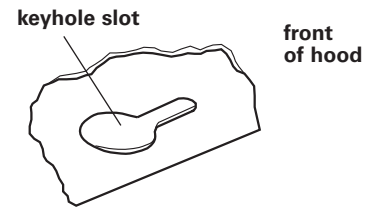
For non-vented installations, go to Step 7c.

7a. For vented installations: Check that the louver cover is installed in front of hood.

Remove either top or rear rectangular vent knockout. If using round vent, remove both top rectangular and semi-circular knockouts.

7b. If using rectangular vent, attach rectangular damper/vent connection. Note: If the wall cap is directly behind the vent connector, the dampers in the connector and wall cap **MUST NOT** interfere with each other. Remove the vent connector damper if they interfere.

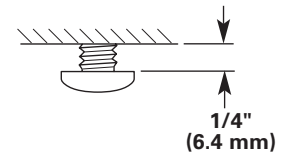
7c. For non-vented installations: Remove louver cover from front of hood.



8. Lift the range hood up under cabinet and determine final position. Mark on the underside of cabinet the location of the four keyhole mounting slots. Set range hood aside on a protected surface.



9. Use 1/8" (or 3 mm) drill bit and drill 4 pilot holes as shown.



10. Remove the 4 hood mounting screws from the parts bag and install in pilot holes. Leave screw heads away from filler strips or cabinet bottom about 1/4" (6.4 cm)

11. If using direct wiring, make sure power is disconnected, and pull about 12" (30 cm) of wire through wall or cabinet and into opening.

12. Lift range hood into final position, feeding electrical wire through wiring opening. Position the range hood so that the large end of the keyhole slots are over the screws. Then push the hood toward the wall so that the screws are in the neck of the slots. Tighten mounting screws to cabinet, making sure mounting screws are in narrow neck of slots. Make sure that damper blade, if used, rotates up and down freely.

13. Connect ventwork to hood. Seal joints with duct tape to make the secure and air tight.

Make electrical connection

! WARNING

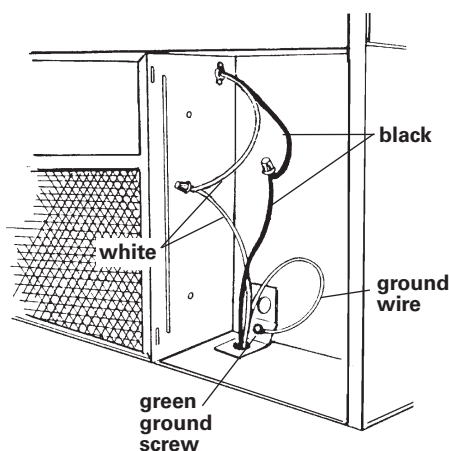


Electrical Shock Hazard

Disconnect power before making electrical connections.

Connect ground wire to green ground screw in terminal box.

Failure to do so can result in death or electrical shock.



14. Direct wiring:

Connect the white and black wires of the power supply cable to the white and black leads in the hood with twist-on connectors.

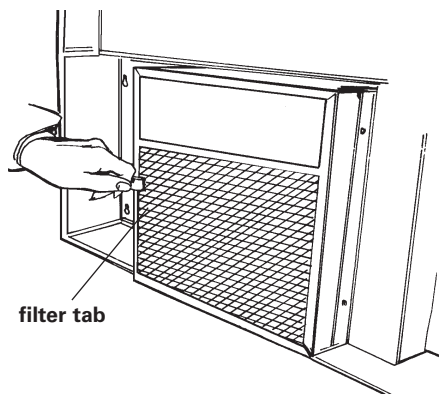
Connect the power supply ground wire to the green ground screw inside the terminal box.

Use caulking to seal wire opening.

Replace terminal box cover.

Using a U.L.-listed power supply cord-connection kit (U.S. only):

Follow Power Cord Kit instructions for connecting wiring.



15. Pull firmly on filter tab to remove filter/light lens from range hood. Install 75 watt (maximum) light bulb. Reinstall aluminum filter.

16. For non-vented installations: Install non-vented filter kit. (See Page 2.)

17. Turn power on. Check operation of fan and light. Make sure damper operates freely.

To get the most efficient use from your new range hood, read the "Use and Care Information" section. Keep your Whirlpool Installation Instructions and Use and Care Guide close to range hood for easy reference.

Use and Care Information

WARNING — To reduce the risk of fire or electrical shock, do not use this fan with any solid-state speed control device.

WARNING — TO REDUCE THE RISK OF FIRE, ELECTRIC SHOCK, OR INJURY TO PERSONS, OBSERVE THE FOLLOWING:

Use this unit only in the manner intended by the manufacturer. If you have questions, contact the manufacturer. Before servicing or cleaning unit, switch power off at service panel and lock switch power off at service panel and lock service panel to prevent power from being switched on accidentally. When the service disconnecting means cannot be locked, securely fasten a prominent warning device such as a tag to the service panel.

CAUTION: For general ventilating use only. Do not use to exhaust hazardous or explosive materials and vapors.

WARNING — TO REDUCE THE RISK OF A RANGE TOP GREASE FIRE:

Never leave surface units unattended at high settings. Boilovers cause smoking and greasy spillovers that may ignite. Heat oils slowly on low or medium settings.

Always turn hood ON when cooking at high heat or when cooking flaming foods.

Clean ventilating fans frequently. Grease should not be allowed to accumulate on fan or filter.

Use proper pan size. Always use cookware appropriate for the size of the surface element.

WARNING — TO REDUCE THE RISK OF INJURY TO PERSONS IN THE EVENT OF A RANGE TOP GREASE FIRE, OBSERVE THE FOLLOWING:

SMOTHER FLAMES with a close-fitting lid, cookie sheet, or metal

tray, then turn off the burner. **BE CAREFUL TO PREVENT BURNS.** If the flames do not go out immediately, **EVACUATE AND CALL THE FIRE DEPARTMENT.** **NEVER PICK UP A FLAMING PAN** — You may be burned.

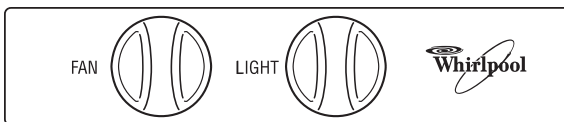
DO NOT USE WATER, including wet dishcloths or towels — a violent steam explosion will result. Use an extinguisher **ONLY** if:

You know you have a Class ABC extinguisher, and you already know how to operate it.

The fire is small and contained in the area where it is started.

The fire department is being called. You can fight the fire with your back to an exit.

Operation



For best results, turn range hood fan on at beginning of cooking and allow it to run until all smoke and odors are removed from room.

Operating the fan:

The FAN control is shown in the off position. To turn the fan on, rotate the control clockwise. The fan speed will start at high. Rotating the control clockwise will vary the speed from high to low. The speed can be changed anytime during fan operation.

To turn on the light:

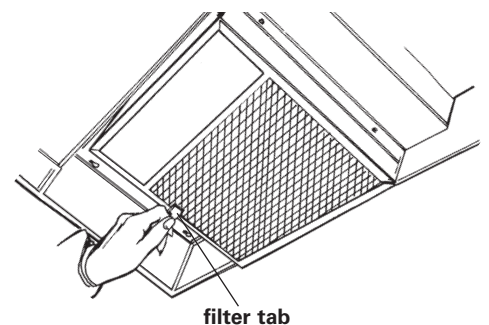
The LIGHT control is shown in the off position. For maximum lighting, rotate the control clockwise 45°. Rotate the control clockwise another 45° for minimum lighting.

Care of range hood

Filter/light lens:

For best results, remove and clean often.

To remove filter/light lens:



Pull firmly on filter tab to remove filter/light lens from range hood.

To clean filter/light lens:

Place filter/light lens in dishwasher or hot sudsy water to clean.

Non-vented installation:

Turn filter/light lens so that charcoal filter pad is facing up. Lift tabs and remove charcoal filter pad. Discard charcoal filter pad if

it needs replacing. Place filter/light lens in dishwasher or hot sudsy water to clean. Lift tabs and place charcoal filter pad in filter/light lens.

To reinstall filter/light lens:

Place edge of filter/light lens in opening so that right side is above flange and tab faces downward. Press filter/light lens into position.

When it's time to replace your aluminum filter/light lens, or charcoal filter pads:

1. For model series RH3730 and RH3736:
Order Aluminum Filter/Light Lens No. 883103.
Order Charcoal Filter Pads No. 883151.
2. Call Whirlpool's Telesales line at 1-800-442-9991.

3. Give the Telesales Representative the part number needed.
4. The Representative will give you the current price.
5. Place your order using your Master Card®, Visa® or Discover® credit card.
6. If you wish: mail a check or money order to:
Whirlpool Corporation
1900 Whirlpool Drive
LaPorte, IN 46350-9980
Attn: Accessory Accounting
7. Be sure to ask the Telesales Representative about the wide variety of other Whirlpool Product Accessories.

Care of blower motor:

Clean exterior of motor with a damp cloth and grease-cutting detergent.

Note: Fan motor has lifetime sealed bearings that never need oiling under normal usage. A few drops on each bearing after three years of heavy usage will prolong the motor life.

Exterior surfaces

Clean the range hood with a mild detergent and soft cloth. Do Not use abrasive cleansers or steel wool pads.

Light

Do Not use bulb larger than 75 watts in light socket.

Light bulb is not included.

WHIRLPOOL CORPORATION MAJOR APPLIANCE WARRANTY

ONE YEAR LIMITED WARRANTY

For one year from the date of purchase, when this major appliance is operated and maintained according to instructions attached to or furnished with the product, Whirlpool Corporation or Whirlpool Canada LP (hereafter "Whirlpool") will pay for FSP® replacement parts and repair labor to correct defects in materials or workmanship. Service must be provided by a Whirlpool designated service company.

ITEMS WHIRLPOOL WILL NOT PAY FOR

1. Service calls to correct the installation of your major appliance, to instruct you how to use your major appliance, to replace or repair house fuses or to correct house wiring or plumbing.
2. Service calls to repair or replace appliance light bulbs, air filters or water filters. Those consumable parts are excluded from warranty coverage.
3. Repairs when your major appliance is used for other than normal, single-family household use.
4. Damage resulting from accident, alteration, misuse, abuse, fire, flood, acts of God, improper installation, installation not in accordance with electrical or plumbing codes, or use of products not approved by Whirlpool.
5. Any food loss due to refrigerator or freezer product failures.
6. Replacement parts or repair labor costs for units operated outside the United States or Canada.
7. Pickup and delivery. This major appliance is designed to be repaired in the home.
8. Repairs to parts or systems resulting from unauthorized modifications made to the appliance.
9. Expenses for travel and transportation for product service in remote locations.
10. The removal and reinstallation of your appliance if it is installed in an inaccessible location or is not installed in accordance with published installation instructions.

DISCLAIMER OF IMPLIED WARRANTIES; LIMITATION OF REMEDIES

CUSTOMER'S SOLE AND EXCLUSIVE REMEDY UNDER THIS LIMITED WARRANTY SHALL BE PRODUCT REPAIR AS PROVIDED HEREIN. IMPLIED WARRANTIES, INCLUDING WARRANTIES OF MERCHANTABILITY OR FITNESS FOR A PARTICULAR PURPOSE, ARE LIMITED TO ONE YEAR OR THE SHORTEST PERIOD ALLOWED BY LAW. WHIRLPOOL SHALL NOT BE LIABLE FOR INCIDENTAL OR CONSEQUENTIAL DAMAGES. SOME STATES AND PROVINCES DO NOT ALLOW THE EXCLUSION OR LIMITATION OF INCIDENTAL OR CONSEQUENTIAL DAMAGES, OR LIMITATIONS ON THE DURATION OF IMPLIED WARRANTIES OF MERCHANTABILITY OR FITNESS, SO THESE EXCLUSIONS OR LIMITATIONS MAY NOT APPLY TO YOU. THIS WARRANTY GIVES YOU SPECIFIC LEGAL RIGHTS AND YOU MAY ALSO HAVE OTHER RIGHTS, WHICH VARY FROM STATE TO STATE OR PROVINCE TO PROVINCE.

Outside the 50 United States and Canada, this warranty does not apply. Contact your authorized Whirlpool dealer to determine if another warranty applies.

If you need service, first see the "Troubleshooting" section of the Use & Care Guide. After checking "Troubleshooting," additional help can be found by checking the "Assistance or Service" section or by calling Whirlpool. In the U.S.A., call **1-800-253-1301**. In Canada, call **1-800-807-6777**.

8/05

Requesting Assistance or Service

If you need assistance or service in U.S.A.

Call the Whirlpool Customer Interaction Center toll-free at 1-800-253-1301.

Our consultants are available to assist you.

When calling: Please know the purchase date, and the complete model and serial number of your appliance. This information will help us better respond to your request.



Our consultants provide assistance with:

- Features and specifications on our full line of appliances
- Installation information

- Use and maintenance procedures
- Accessory and repair parts sales
- Specialized customer assistance (Spanish speaking, hearing impaired, limited vision, etc.)
- Referrals to local dealers, service companies, and repair parts distributors

Whirlpool-designated service technicians are trained to fulfill the product warranty and provide after-warranty service, anywhere in the United States.

To locate the designated service company in your area, you can also look in your telephone directory Yellow Pages.

If you need replacement parts

If you need to order replacement parts, we recommend that you only use factory-authorized parts. These parts will fit right and work right, because they are made to the same exacting specifications used to build every new Whirlpool appliance.

To locate factory-authorized parts in your area, call our Customer Interaction Center telephone number, your nearest authorized service center, or Whirlpool Factory Service at 1-800-442-1111.

For further assistance

If you need further assistance, you can write to ask any questions or tell us about your concerns at:

Customer Interaction Center
c/o Correspondence Dept.
2000 North M-63
Benton Harbor, MI 49022-2692

Please include a daytime phone number in your correspondence.

If you need assistance or service in Canada

1. If the problem is not due to one of the items listed in "Check Operation"†...



Contact the dealer from whom you purchased your appliance, or call the Inglis Limited Consumer Assistance Centre toll-free, 8:30 a.m. – 6 p.m. (EST), at 1-800-235-0665.

2. If you need service†...

Contact your nearest Inglis Limited Appliance Service branch or designated servicing outlet to service your appliance. (See list below.)

†When asking for assistance or service, please provide a detailed description of the problem, your appliance's complete model and serial numbers, and the purchase date. This information will help us respond properly to your request.

Direct service branches:

BRITISH COLUMBIA		1-800-665-6788
ALBERTA		1-800-661-6291
ONTARIO (except 807 area code)	Ottawa area	1-800-267-3456
	Outside the Ottawa area	1-800-807-6777
MANITOBA, SASKATCHEWAN and 807 area code in ONTARIO		1-800-665-1683
QUEBEC	Montreal (except South Shore)	1-800-361-3032
	South Shore Montreal	1-800-361-0950
	Quebec City	1-800-463-1523
	Sherbrooke	1-800-567-6966
ATLANTIC PROVINCES		1-800-565-1598

For further assistance

If you need further assistance, you can write to Inglis Limited with any questions or concerns at:

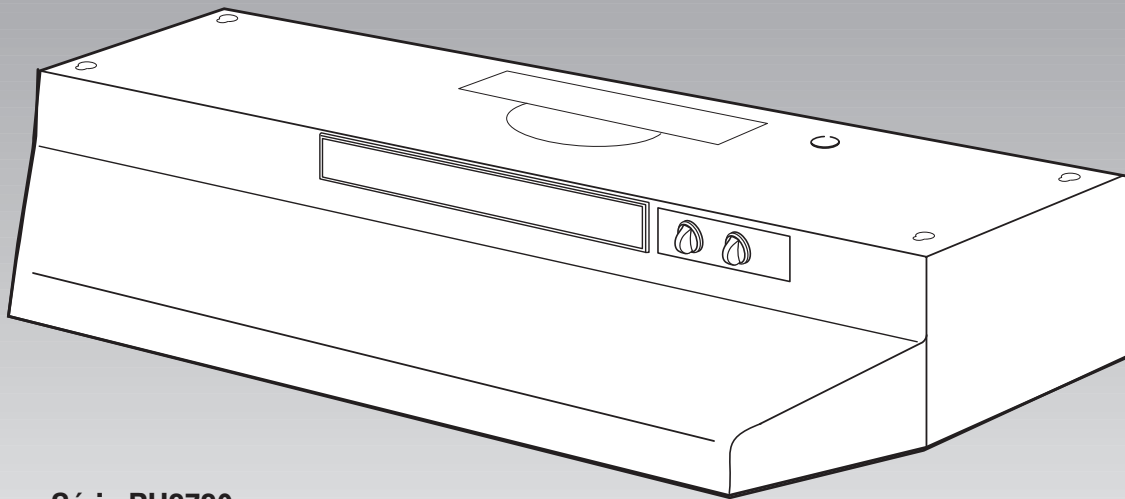
Consumer Relations Department
Inglis Limited
1901 Minnesota Court
Mississauga, Ontario L5N 3A7

Please include a daytime phone number in your correspondence.

www.inglislimited.com

Instructions d'installation et Guide d'utilisation et d'entretien

Hotte d'extraction convertible 76,2 cm (30 po) ou 91,4 cm (36 po)



Série RH3730
Série RH3736

www.whirlpool.com

IMPORTANT :
**Lire et conserver
ces instructions.**

IMPORTANT :

Installateur : Remettre les instructions d'installation au propriétaire de l'appareil.

Propriétaire : Conserver les instructions d'installation pour consultation ultérieure.

Conserver les instructions d'installation à l'intention de l'inspecteur local des installations électriques.

Consultation rapide

Table des matières :

Pages

2	Avant de commencer
3	Spécifications pour l'installation électrique
3	Dimensions du produit
3	Circuit de décharge de l'air
4 - 7	Les étapes de l'installation
7 - 8	Utilisation et entretien
8	Garantie
9 - 10	Demande d'assistance ou de service

626918A/9763368

Avant de commencer...

Votre sécurité et celle des autres est très importante.

Nous donnons de nombreux messages de sécurité importants dans ce manuel, et sur votre appareil ménager. Assurez-vous de toujours lire tous les messages de sécurité et de vous y conformer.



Voici le symbole d'alerte de sécurité.

Ce symbole d'alerte de sécurité vous signale les dangers potentiels de décès et de blessures graves à vous et à d'autres.

Tous les messages de sécurité suivront le symbole d'alerte de sécurité et le mot «DANGER» ou «AVERTISSEMENT». Ces mots signifient :

DANGER

Risque possible de décès ou de blessure grave si vous ne suivez pas immédiatement les instructions.

AVERTISSEMENT

Risque possible de décès ou de blessure grave si vous ne suivez pas les instructions.

Tous les messages de sécurité vous diront quel est le danger potentiel et vous disent comment réduire le risque de blessure et ce qui peut se produire en cas de non-respect des instructions.

Important : Respecter les prescriptions de tous les codes et règlements en vigueur.

C'est au propriétaire de l'appareil qu'incombe la responsabilité d'une installation correcte. Veiller à disposer de tout le matériel nécessaire pour réaliser une installation correcte. C'est à l'installateur qu'incombe la responsabilité de respecter les distances de dégagement spécifiées.

Inspecter l'emplacement où la hotte d'extraction sera installée; choisir un endroit à distance des sources de courants d'air, comme fenêtres, portes et bouches de chauffage.

Installation dans une résidence mobile

L'installation de la hotte doit être conforme aux prescriptions de la norme des É.-U. Manufactured Home Construction Safety Standards, titre 24 CFR, Partie 328 (anciennement Federal Standard for Mobile Home

Construction and Safety, titre 24, HUD, partie 280); lorsque cette norme n'est pas applicable, l'installation doit être réalisée en conformité avec les prescriptions de la dernière édition de la norme ANSI A225.1/NFPA 501A* (Manufactured Home Installation 1982 - Manufactured Home Sites, Communities and Setups) et/ou des codes locaux en vigueur.

AVERTISSEMENT - POUR RÉDUIRE LE RISQUE D'INCENDIE, CHOC ÉLECTRIQUE OU BLESSURE, RESPECTER LES INSTRUCTIONS SUIVANTES :

Tout travail d'installation ou câblage électrique doit être réalisé par une personne qualifiée, dans le respect des prescriptions de tous les codes et normes applicables, y compris les codes du bâtiment et de protection contre les incendies. Le fonctionnement de cet appareil peut modifier la circulation de l'air et affecter le fonctionnement d'un appareil utilisant un combustible. Respecter les directives du fabricant de l'équipement de chauffage et les prescriptions des normes de sécurité - comme celles publiées par la National Fire Protection Association (NFPA) et l'American Society of Heating, Refrigeration and Air Conditioning Engineers (ASHRAE) - et les prescriptions des autorités réglementaires locales.

Lors d'opérations de découpage et de perçage dans un mur ou plafond, veiller à ne pas endommager les câblages électriques ou canalisations qui peuvent s'y trouver.

Le conduit d'évacuation associé à un ventilateur doit toujours décharger l'air à l'extérieur.

AVERTISSEMENT - Pour réduire le risque d'incendie, utiliser uniquement des conduits métalliques.

Cet appareil doit être relié à la terre.

Cette hotte a été configurée à l'usine pour le raccordement à un conduit d'évacuation. Pour une installation sans raccordement à un conduit d'évacuation, acheter chez le revendeur l'ensemble de filtres (incluant filtres/diffuseurs no 883149 et filtres à charbon no 883151) chez le revendeur.

Outillage et matériel nécessaires pour l'installation :

- tournevis à lame plate
- pince
- perceuse
- règle
- foret de 3 cm (1 1/4 po)
- foret de 3 mm (1/8 po) pour les avant-trous
- crayon

Matériel nécessaire pour l'installation avec décharge à l'extérieur :

- compas ou gabarit circulaire de 20,3 cm (8 po)
- cisaille de ferblantier
- scie à guichet
- scie sauteuse
- ruban adhésif pour conduit
- clapet rond de 17,8 cm (7 po) – pour un conduit d'évacuation de diamètre 17,8 cm (7 po)

Placards avec fond en retrait :

- tringles de remplissage de largeur de 5,8 cm (2,2 po). Longueur et épaisseur selon les dimensions de la cavité de retrait.
- 4 vis à bois à tête plate ou vis à métaux avec rondelle et écrou pour la fixation des tringles.

Composants fournis :

- filtre avec diffuseur de lumière incorporé
- raccord de connexion 8,3 x 25,4 cm (3-1/4 x 10 po) pour conduit de décharge
- sachet de petites pièces

Spécifications pour l'installation électrique

Important : Respecter les prescriptions de tous les codes et règlements en vigueur.

C'est au client qu'incombe la responsabilité de :

- Contacter un électricien qualifié pour l'installation.
- Veiller à ce que l'installation électrique soit réalisée d'une manière adéquate et en conformité avec les prescriptions du Code national des installations électriques ANSI/NFPA 70 - dernière édition*, ou des normes CSA C22.1-94/Code canadien des installations électriques (partie 1) et C22.2 N° 0-M91 - dernière édition**, et avec les prescriptions de tous les codes et règlements locaux en vigueur.

Un conducteur distinct de liaison à la terre doit être utilisé. On recommande qu'un électricien qualifié vérifie que la liaison à la terre est adéquate.

L'appareil doit être alimenté par un circuit de 120 volts, 60 Hz, CA seulement, 15 A, avec un fusible sur chaque conducteur.

Ne pas utiliser une tuyauterie de gaz pour la liaison à la terre.

En cas d'incertitude quant à la qualité de la liaison à la terre de la hotte, consulter un électricien qualifié.

Ne pas installer un fusible en série avec le conducteur neutre ou le conducteur de liaison à la terre

IMPORTANT :

Conserver les instructions d'installation à l'intention de l'inspecteur local des installations électriques.

La hotte doit être raccordée au réseau électrique uniquement avec des conducteurs de cuivre.

La hotte doit être raccordée directement au coupe-circuit avec fusible ou au disjoncteur par l'intermédiaire de câble à conducteurs de cuivre, à blindage métallique flexible ou à gaine non métallique. Un passe-fil (homologation UL ou CSA) doit être installé à chaque extrémité du câble d'alimentation. Le calibre des conducteurs (CUIVRE SEULEMENT) et les connexions doivent être compatibles avec la demande de courant de l'appareil spécifiée sur la plaque signalétique.

La taille des conducteurs doit satisfaire les prescriptions du Code national des installations électriques ANSI/NFPA 70 - dernière édition*, ou des normes CSA C22.1-94/Code canadien de l'électricité (partie 1) et C22.2 N° 0-M91 - dernière édition**, et les prescriptions de tous les codes et règlements locaux en vigueur.

Un serre-câble (agrément UL ou CSA)

doit être installé à chaque extrémité du câble d'alimentation (sur la hotte et sur la boîte de connexion).

Pour les États-Unis seulement : Pour une hotte alimentée par un cordon d'alimentation, on DOIT utiliser un cordon de branchement entre la cuisinière et la hotte (homologation U.L.). Ce produit n'a pas été évalué par rapport aux normes canadiennes.

On peut obtenir aux adresses suivantes des exemplaires des normes mentionnées :

* National Fire Protection Association
One Batterymarch Park
Quincy, Massachusetts 02269

**CSA International
8501 East Pleasant Valley Road
Cleveland, Ohio 44131-5575

Circuit de décharge de l'air

Le système doit décharger l'air à l'extérieur.

Ne pas terminer le conduit d'évacuation au-dessus d'un plafond ou dans autre espace fermé.

Ne pas utiliser une bouche de décharge murale de 10,2 cm (4 po) normalement utilisée pour un équipement de buanderie.

Ne pas utiliser des conduits de plastique.

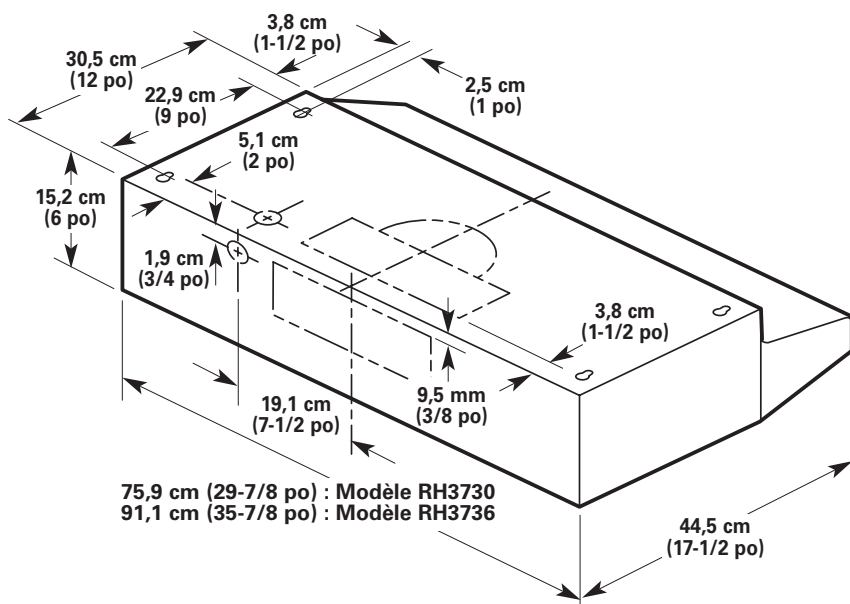
Le système d'évacuation nécessaire pour l'installation n'est pas inclus.

Déterminer la méthode appropriée pour la décharge à l'extérieur. On recommande que le conduit de décharge soit installé avant l'installation de la hotte.

NOTE : Pour une configuration d'installation avec recyclage (sans décharge) appliquer les instructions de la page 5.

Pour optimiser la performance, minimiser la longueur du circuit et le nombre de coudes. La section du circuit d'évacuation devrait être uniforme. Ne pas installer deux coudes ensemble. Utiliser du ruban adhésif pour conduit pour assurer l'étanchéité de chaque jointure du circuit. Le circuit peut effectuer la décharge à travers le toit ou à travers un mur. Calfauter pour réaliser l'étanchéité au point de traversée du mur ou du toit par le conduit d'évacuation. On recommande l'évacuation verticale à travers le toit à l'aide d'un conduit circulaire de diamètre 17,8 cm (7 po); ce système sera le plus efficace et le plus silencieux.

Dimensions du produit



Les figures 1 et 2 présentent les méthodes d'évacuation communément utilisées et les matériaux employés.

Décharge verticale, à travers le toit Décharge horizontale, à travers le mur

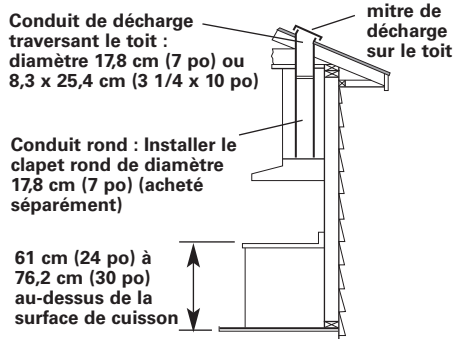


Figure 1

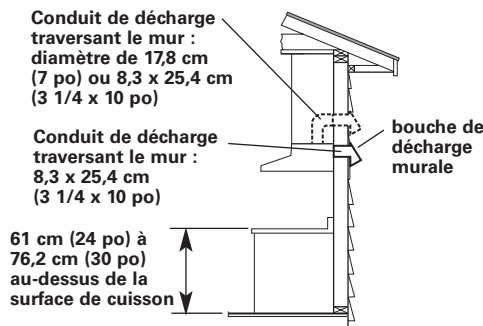
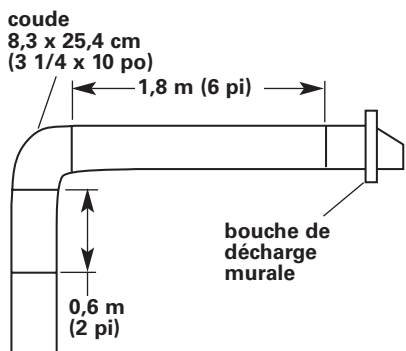


Figure 2

Longueur recommandée du circuit d'évacuation

Utiliser un circuit d'une longueur effective maximale de 10,7 m (35 pi), réalisé en conduit rectangulaire de 8,3 x 25,4 cm (3 1/4 x 10 po) ou conduit rond de dia. 17,8 cm (7 po) est utilisé, la longueur maximale sera de 15,2 m (50 pi). Pour obtenir la meilleure performance, ne pas incorporer plus de 3 coudes à 90° au circuit. Pour calculer la longueur effective du circuit, inclure la longueur équivalente de chaque section ou raccord utilisé. Voir les exemples ci-dessous.

Circuit de conduit 8,3 x 25,4 cm (3 1/4 x 10 po)

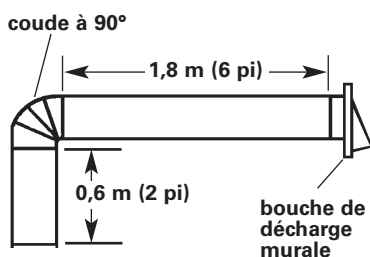


Longueur maximale	= 10,7 m (35 pi)
1 - coude à 90°	= 1,5 m (5 pi)
Section droite	
2,4 m (8 pi)	= 2,4 m (8 pi)
1 - bouche de décharge murale	= 0 m (0 pi)
Longueur équivalente totale de conduit 8,3 x 25,4 cm (3 1/4 x 10 po)	= 3,9 m (13 pi)

Raccords standard recommandés

Coude à 90° 8,3 x 25,4 cm (3 1/4 x 10 po) = 1,5 m (5 pi)	Coude plat 8,3 x 25,4 cm (3 1/4 x 10 po) = 3,7 m (12 pi)	Bouche de décharge murale 8,3 x 25,4 cm (3 1/4 x 10 po) = 0 m (0 pi)

Circuit de décharge de diamètre 17,8 cm (7 po)



Longueur maximale	= 15,2 m (50 pi)
1 - coude à 90°	= 1,5 m (5 pi)
1 - bouche de décharge murale	= 0 m (0 pi)
Section droite	
2,4 m (8 pi)	= 2,4 m (8 pi)
Longueur équivalente totale de conduit 17,8 cm (7 po)	= 3,9 m (13 pi)

Raccords standard recommandés

Coude à 90° = 1,5 m (5 pi)	Coude à 45° = 0,8 m (2,5 pi)	Bouche de décharge murale 17,8 cm (7 po) = 0 m (0 pi)
Raccord de transition 8,3 x 25,4 cm (3 1/4 x 10 po) / 17,8 cm (7 po) = 1,4 m (4,5 pi)	Raccord de transition à 90° 8,3 x 25,4 cm (3 1/4 x 10 po) / diamètre 17,8 cm (7 po) = 1,5 m (5 pi)	

Commencer avec... la hotte dans la cuisine.

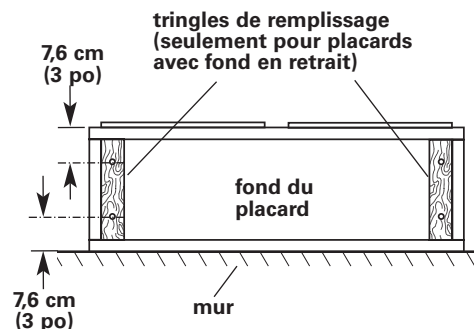
Placer une feuille de contreplaqué ou de carton sous la cuisinière avant de la déplacer pour ne pas endommager le revêtement de sol.

Protéger le plan de travail, la table de cuisson ou la cuisinière encastrée avec un matériau protecteur épais.

1. Déconnecter la cuisinière autonome et la sortir de sa cavité d'encastrement pour accéder plus facilement aux placards muraux et au mur arrière. Placer un matériau protecteur épais sur la table de cuisson ou le plan de travail pour la protection contre les dommages et souillures.

2. Déterminer quelle méthode de décharge de l'air sera utilisée (à travers le toit, à travers le mur, ou sans évacuation). Lors de l'expédition, cette hotte est configurée pour utilisation avec évacuation.

Préparation de l'emplacement de l'installation

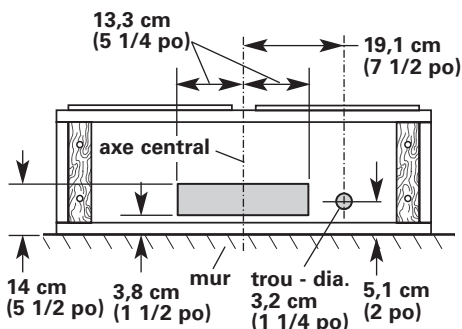


3. Si le placard comporte un fond en retrait, ajouter une tringle de remplissage de chaque côté. Positionner les vis de fixation des tringles aux emplacements indiqués.

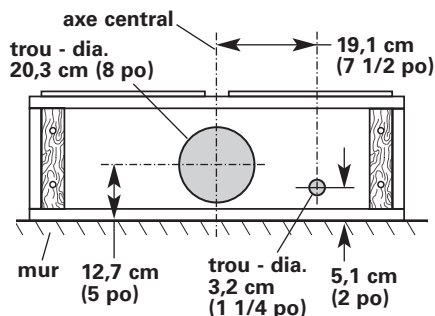
4. À l'aide des illustrations ci-dessous, choisir la configuration d'installation.

Installations avec conduit de décharge : Découper les orifices nécessaires pour le câblage électrique et le conduit de décharge. L'un ou l'autre des trous peut être utilisé pour le câblage.

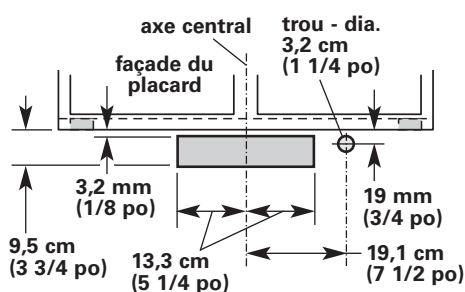
Installations sans conduit de décharge : Percer seulement un trou de 3,2 cm (1 1/4 po) pour le passage du câblage. Pour l'arrivée du câblage par le sommet, utiliser l'emplacement indiqué pour un circuit de décharge VERTICAL. Pour l'arrivée du câblage par l'arrière, utiliser l'emplacement indiqué pour le circuit de décharge HORIZONTAL.



Conduit d'évacuation VERTICAL/RECTANGULAIRE
8,3 x 25,4 cm (3 1/4 x 10 po)



Conduit d'évacuation VERTICAL/ROUND
17,8 cm (7 po)



Conduit d'évacuation HORIZONTAL
8,3 x 25,4 cm (3 1/4 x 10 po)

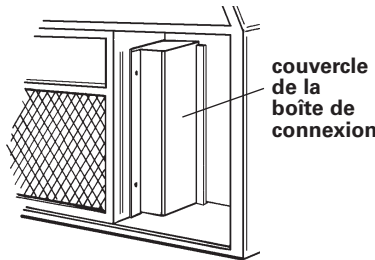
Préparation et installation de la hotte

⚠ AVERTISSEMENT

Danger - Poids excessif

Deux personnes ou plus doivent participer aux opérations de manipulation de la hotte.

Le non-respect de cette instruction peut provoquer des blessures du dos ou autres blessures.



5. Ôter le couvercle de la boîte de connexion. Enlever un opercule arrachable, à l'arrière ou au sommet (selon la configuration de l'installation).

6. Retirer de la hotte le raccord de connexion/clapet (rectangulaire). Conserver le raccord de connexion et les vis pour un éventuel raccordement à un circuit d'évacuation rectangulaire.

Pour une installation avec décharge à l'extérieur, passer à l'étape 7a.

Pour une installation avec recyclage, passer à l'étape 7c.

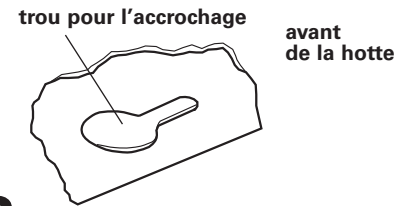
7a. Installation avec décharge à l'extérieur : Vérifier que le couvercle à jalousies est installé à l'avant de la hotte.

Ôter un opercule arrachable rectangulaire, au sommet ou à l'arrière. Dans le cas d'un conduit d'évacuation cylindrique, ôter l'opercule rectangulaire supérieur, et les opercules semi-circulaires.

7b. Pour un conduit d'évacuation rectangulaire, installer le raccord rectangulaire/clapet. Note : Si la bouche de décharge murale est située directement derrière le raccord, on doit veiller à ce qu'il n'y ait PAS d'interférence entre le clapet (dans le raccord) et la bouche de décharge

murale. S'il y a une interférence, enlever le raccord/clapet.

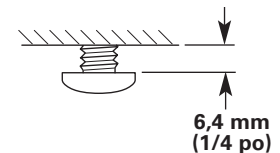
7c. Installation avec recyclage : Enlever le couvercle à jalousies, à l'avant de la hotte.



8. Soulever la hotte sous le placard, et déterminer l'emplacement final. Marquer la position des 4 trous d'accrochage sur la face inférieure des placards. Placer la hotte en attente sur une surface protégée.



9. Percer les quatre avant-trous nécessaires avec un foret de 3mm (1/8 po) tel qu'indiqué.



10. Prendre les 4 vis de montage dans le sachet de petites pièces; placer les 4 vis dans les avant-trous. Laisser la tête de chaque vis en retrait d'environ 6,4 cm (1/4 po) par rapport aux tringles de remplissage ou au bas du placard.

11. Pour une installation avec câblage direct, vérifier que le câble n'est pas sous tension, et tirer environ 30 cm (12 po) du câble à travers le mur ou le placard, à travers l'ouverture.

12. Soulever la hotte jusqu'à sa position finale et faire passer le câble électrique à travers l'ouverture du câblage. Positionner la hotte pour que la partie large de chaque trou d'accrochage coïncide avec la tête de vis. Pousser ensuite la hotte vers le mur pour positionner la partie étroite des trous d'accrochage sous les têtes de vis. Serrer les vis de montage; vérifier que la tête de chaque vis est placée au niveau de la partie étroite du trou d'accrochage correspondant. Le cas échéant, vérifier que le volet de réglage peut pivoter librement dans les deux directions.

13. Raccorder le conduit d'évacuation à la hotte. Assurer l'étanchéité à l'air des jointures avec du ruban adhésif pour conduits.

Raccordement au réseau électrique

⚠ AVERTISSEMENT

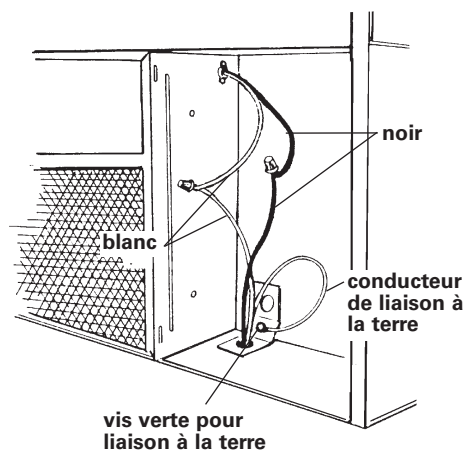


Risque de choc électrique

Interrompre l'alimentation électrique du circuit avant d'effectuer les raccordements.

Relier le conducteur de liaison à la terre à la vis verte dans la boîte de connexion.

Le non-respect de ces instructions peut susciter un décès ou un choc électrique.



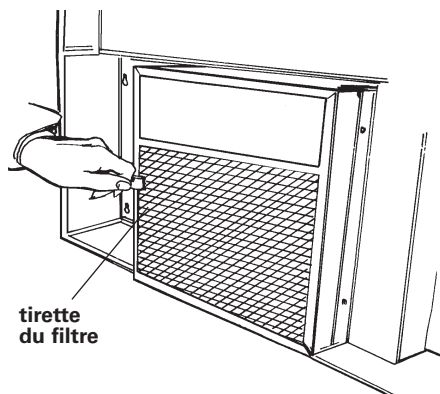
14. Raccorder les conducteurs du câble d'alimentation de la hotte aux conducteurs de même couleur du circuit électrique, avec des connecteurs vissables (blanc-blanc et noir-noir). Ensuite connecter le conducteur de liaison à la terre à l'intérieur de la boîte de connexion de la hotte, avec la vis verte.

Assurer l'étanchéité de l'ouverture du passage du câblage avec un composé de calfeutrage.

Réinstaller le couvercle de la boîte de connexion.

Utilisation d'un cordon d'alimentation spécial (homologation U.L – États-Unis seulement) :

Exécuter les instructions d'installation fournies avec le produit.



15. Tirer fermement sur la tirette du filtre pour retirer de la hotte l'ensemble filtre/diffuseur de lumière. Installer une lampe de 75 watts (maximum). Réinstaller le filtre en aluminium.

16. Installation avec recyclage : Installer l'ensemble de filtres pour recyclage (Voir page 2).

17. Rétablir l'alimentation du circuit. Contrôler le bon fonctionnement du ventilateur et des lampes. Vérifier que le volet de réglage peut manœuvrer librement.

Pour pouvoir faire le meilleur usage de cette nouvelle hotte, lire la section « Utilisation et entretien ». Conserver les instructions d'installation Whirlpool et le guide d'utilisation et entretien pour pouvoir les consulter facilement.

Utilisation et entretien

AVERTISSEMENT - Pour réduire le risque d'incendie ou de choc électrique, ne pas utiliser ce ventilateur en conjonction avec un dispositif de réglage de la vitesse à semi-conducteurs.

AVERTISSEMENT - POUR MINIMISER LE RISQUE D'INCENDIE, CHOC ÉLECTRIQUE OU DOMMAGES CORPORELS, RESPECTER LES INSTRUCTIONS SUIVANTES :

Utiliser cet appareil uniquement dans les applications envisagées par le fabricant. Pour toute question, contacter le fabricant. Avant d'entreprendre un travail d'entretien ou de nettoyage, interrompre l'alimentation de la hotte au niveau du tableau de disjoncteurs, et verrouiller le tableau de disjoncteurs pour empêcher tout rétablissement accidentel de l'alimentation du circuit. Lorsqu'il n'est pas possible de verrouiller le tableau de disjoncteurs ou le dispositif d'interruption de l'alimentation, placer sur le tableau de disjoncteurs une étiquette d'avertissement proéminente interdisant le rétablissement de l'alimentation.

MISE EN GARDE : Cet appareil est conçu uniquement pour la ventilation générale. Ne pas l'utiliser pour

l'évacuation de matières ou vapeurs dangereuses ou explosives.

AVERTISSEMENT - POUR MINIMISER LE RISQUE D'UN FEU DE GRAISSE SUR LA TABLE DE CUISSON :

Ne pas laisser une cuisson en cours à feu vif sans surveillance. Un débordement peut provoquer la génération de fumée ou un feu de graisse. Utiliser une puissance de chauffage moyenne ou basse pour faire chauffer de l'huile lentement.

Faire toujours fonctionner le ventilateur de la hotte lors d'une cuisson à feu vif ou pour flamber un mets.

Veiller à maintenir la propreté du ventilateur, des filtres et des surfaces où de la graisse peut s'accumuler. Nettoyer fréquemment.

Utiliser toujours des ustensiles et récipients de cuisson appropriés, correspondant au type et à la quantité des aliments à préparer, et à la taille de l'élément chauffant.

AVERTISSEMENT - POUR RÉDUIRE LE RISQUE DE DOMMAGES CORPORELS APRÈS LE DÉCLENCHEMENT D'UN FEU DE GRAISSE SUR LA CUISINIÈRE, APPLIQUER LES RECOMMANDATIONS SUIVANTES :

Placer sur le récipient un couvercle bien ajusté, une tôle à biscuits ou un plateau métallique **POUR ÉTOUFFER LES FLAMMES**, puis éteindre le brûleur. **VEILLER À ÉVITER LES BRÛLURES.** Si les flammes ne s'éteignent pas immédiatement, **ÉVACUER LA PIÈCE ET CONTACTER LES POMPIERS. NE JAMAIS PRENDRE EN MAIN UN RÉCIPIENT ENFLAMMÉ** - le risque de brûlure est élevé.

NE PAS UTILISER D'EAU ni un torchon humide - ceci pourrait provoquer une explosion de vapeur brûlante. Utiliser un extincteur **SEULEMENT** si :

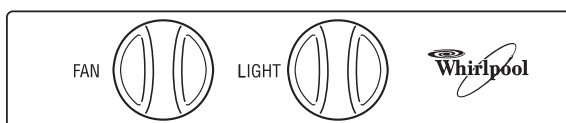
Il s'agit d'un extincteur de classe ABC, dont on connaît le fonctionnement.

Il s'agit d'un petit feu encore limité à l'endroit où il s'est déclaré.

Les pompiers ont été contactés.

Il est possible de garder le dos orienté vers une sortie pendant l'opération de lutte contre le feu.

Utilisation de la hotte



Pour l'obtention des meilleurs résultats, mettre le ventilateur de la hotte en marche au début d'une période de cuisson, et laisser le ventilateur fonctionner jusqu'à l'extraction totale des fumées et vapeurs odorantes de la pièce.

Commande du ventilateur :

La commande du FAN/VENTILATEUR est représentée à la position d'arrêt. Pour la mise en marche du ventilateur, faire tourner le bouton dans le sens horaire. La première position correspond à la vitesse maximale du ventilateur. La poursuite de la rotation dans le sens horaire fait diminuer la vitesse de rotation du ventilateur. On peut modifier la vitesse du ventilateur à tout moment durant son fonctionnement.

Commande d'éclairage :

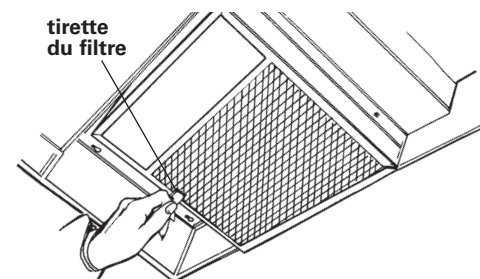
La commande LIGHT/ÉCLAIRAGE est représentée à la position d'arrêt. Pour une intensité d'illumination maximale, faire tourner le bouton de 45 degrés dans le sens horaire. Pour obtenir l'illumination minimum, faire encore tourner le bouton de 45 degrés dans le sens horaire.

Entretien de la hotte

Ensemble filtre/diffuseur de lumière :

Pour obtenir les meilleurs résultats, déposer et nettoyer fréquemment ce composant.

Dépose du filtre/diffuseur de lumière :



Tirer fermement sur la tirette du filtre pour retirer le filtre/diffuseur de la hotte.

Nettoyage du filtre/diffuseur :

Placer le filtre/diffuseur dans le lave-vaisselle, ou dans de l'eau chaude savonneuse.

Installation avec recyclage :

Orienter l'ensemble filtre/diffuseur pour placer le filtre à charbon vers le haut (pour exposer le filtre...). Tirer vers le haut sur les pattes et retirer le filtre à charbon. On doit jeter le filtre à charbon et installer un filtre neuf.

Pour le nettoyage, placer le filtre/diffuseur dans le lave-vaisselle ou dans de l'eau chaude savonneuse. Tirer sur les pattes vers le haut et placer le filtre à charbon dans le module filtre/diffuseur.

Réinstallation de l'ensemble filtre/diffuseur :

Placer le bord du filtre/diffuseur dans l'ouverture; le côté droit doit être au-dessus du rebord et la patte doit être orientée vers le bas. Appuyer sur le filtre/diffuseur pour le mettre en place.

Lorsqu'il est temps de remplacer le filtre d'aluminium/diffuseur ou les filtres à charbon :

1. Pour les modèles série RH3730 ou RH3736 :
Commander l'ensemble filtre aluminium/diffuseur no 883103.
Commander les filtres à charbon no 883151.

2. Téléphoner à Whirlpool Telesales au 1-800-442-9991.
3. Communiquer au représentant le numéro de la pièce nécessaire.
4. Le représentant communiquera le prix en vigueur.
5. Passer commande avec paiement par carte de crédit Master Card®, Visa® ou Discover®.
6. On peut également payer par chèque ou mandat. Envoyer à l'adresse suivante :
Whirlpool Corporation
1900 Whirlpool Drive
LaPorte, IN 46350-9980
Attention : Accessory Accounting
7. Le représentant Telesales peut communiquer de l'information sur les nombreux autres produits et accessoires Whirlpool.

Entretien du moteur du ventilateur :

Nettoyer l'extérieur du moteur avec un linge humide et un détergent anti-graisse.

Note : Le moteur du ventilateur est monté sur des paliers scellés qui ne nécessitent aucune lubrification en service normal. Après trois années de service intensif, quelques gouttes d'huile sur chaque palier augmenteront la longévité du moteur.

Surfaces externes :

Nettoyer la hotte avec un détergent doux et un linge doux. Ne pas utiliser un produit de nettoyage abrasif ou des tampons de laine d'acier.

Lampe

Ne jamais installer une lampe de plus de 75 watts.

La lampe n'est pas fournie.

GARANTIE DES GROS APPAREILS MÉNAGERS WHIRLPOOL CORPORATION

GARANTIE LIMITÉE DE UN AN

Pendant un an à compter de la date d'achat, lorsque ce gros appareil ménager est utilisé et entretenu conformément aux instructions jointes à ou fournies avec le produit, Whirlpool Corporation ou Whirlpool Canada LP (ci-après désignées "Whirlpool") paiera pour les pièces de rechange FSP® et la main-d'œuvre pour corriger les vices de matériaux ou de fabrication. Le service doit être fourni par une compagnie de service désignée par Whirlpool.

WHIRLPOOL NE PRENDRA PAS EN CHARGE

1. Les visites de service pour rectifier l'installation du gros appareil ménager, montrer à l'utilisateur comment utiliser l'appareil, remplacer ou réparer des fusibles ou rectifier le câblage ou la plomberie du domicile.
2. Les visites de service pour réparer ou remplacer les ampoules électriques de l'appareil, les filtres à air ou les filtres à eau. Ces pièces consommables ne sont pas couvertes par la garantie.
3. Les réparations lorsque le gros appareil ménager est utilisé à des fins autres que l'usage unifamilial normal.
4. Les dommages imputables à : accident, modification, usage impropre ou abusif, incendie, inondation, actes de Dieu, installation fautive ou installation non conforme aux codes d'électricité ou de plomberie, ou l'utilisation de produits non approuvés par Whirlpool.
5. Toute perte d'aliments due à une défaillance du réfrigérateur ou du congélateur.
6. Le coût des pièces de rechange et de la main-d'œuvre pour les appareils utilisés hors des États-Unis ou du Canada.
7. Le ramassage et la livraison. Ce gros appareil ménager est conçu pour être réparé à domicile.
8. Les réparations aux pièces ou systèmes résultant d'une modification non autorisée faite à l'appareil.
9. Les frais de transport pour le service d'un produit dans les régions éloignées.
10. La dépose et la réinstallation de votre appareil si celui-ci est installé dans un endroit inaccessible ou n'est pas installé conformément aux instructions d'installation fournies.

CLAUSE D'EXONÉRATION DE RESPONSABILITÉ AU TITRE DES GARANTIES IMPLICITES; LIMITATION DES RECOURS

LE SEUL ET EXCLUSIF RECOURS DU CLIENT DANS LE CADRE DE LA PRÉSENTE GARANTIE LIMITÉE CONSISTE EN LA RÉPARATION PRÉVUE CI-DESSUS. LES GARANTIES IMPLICITES, Y COMPRIS LES GARANTIES APPLICABLES DE QUALITÉ MARCHANDE ET D'APTITUDE À UN USAGE PARTICULIER, SONT LIMITÉES À UN AN OU À LA PLUS COURTE PÉRIODE AUTORISÉE PAR LA LOI. WHIRLPOOL N'ASSUME AUCUNE RESPONSABILITÉ POUR LES DOMMAGES FORTUITS OU INDIRECTS. CERTAINES JURISDICTIONS NE PERMETTENT PAS L'EXCLUSION OU LA LIMITATION DES DOMMAGES FORTUITS OU INDIRECTS, OU LES LIMITATIONS DE LA DURÉE DES GARANTIES IMPLICITES DE QUALITÉ MARCHANDE OU D'APTITUDE À UN USAGE PARTICULIER, DE SORTE QUE CES EXCLUSIONS OU LIMITATIONS PEUVENT NE PAS S'APPLIQUER DANS VOTRE CAS. CETTE GARANTIE VOUS CONFÈRE DES DROITS JURIDIQUES SPÉCIFIQUES ET VOUS POUVEZ ÉGALEMENT JOUIR D'AUTRES DROITS QUI PEUVENT VARIER D'UNE JURISDICTION À UNE AUTRE.

À l'extérieur du Canada et des 50 États des États-Unis, cette garantie ne s'applique pas. Contacter votre marchand Whirlpool autorisé pour déterminer si une autre garantie s'applique.

Si vous avez besoin de service, voir d'abord la section "Dépannage" du Guide d'utilisation et d'entretien. Après avoir vérifié la section "Dépannage", de l'aide supplémentaire peut être trouvée en vérifiant la section "Assistance ou service" ou en appelant Whirlpool. Aux É.-U., composer le **1-800-253-1301**. Au Canada, composer le **1-800-807-6777**.

8/05

Demande d'assistance ou de service

Si vous avez besoin d'assistance ou de service aux É.-U.

Téléphoner au Centre d'interaction avec la clientèle Whirlpool sans frais d'interurbain au 1-800-253-1301.

Nos consultants sont disponibles pour vous aider.

Lors de votre appel, veuillez connaître la date d'achat, les numéros au complet de modèle et de série de votre appareil. Ces renseignements nous aideront à mieux répondre à votre demande.



Nos consultants fournissent de l'assistance pour :

- Caractéristiques et spécifications de notre gamme complète d'appareils électroménagers
- Renseignements concernant l'installation

- Procédé d'utilisation et d'entretien
- Vente d'accessoires et de pièces de rechange
- Assistance spécialisée aux clients (langue espagnole, malentendants, malvoyants, etc.)
- Les références aux marchands, compagnies de service de réparation, et distributeurs de pièces de rechange locaux.

Les techniciens de service désignés par Whirlpool sont formés pour exécuter les travaux sous garantie sur les produits et pour dispenser les services nécessaires après l'expiration de la garantie, partout aux É.-U.

Pour localiser la compagnie de service agréée par Whirlpool dans votre région, vous pouvez consulter les Pages jaunes de votre annuaire de téléphone.

Si vous avez besoin de pièces de rechange

Si vous avez besoin de commander des pièces de rechange, nous vous recommandons d'utiliser seulement des pièces autorisées par l'usine. Ces pièces conviendront et fonctionneront bien parce qu'elles sont fabriquées selon les mêmes spécifications précises utilisées pour construire chaque nouvel appareil Whirlpool.

Pour localiser des pièces autorisées par l'usine dans votre région, téléphonez à notre Centre d'interaction avec la clientèle, votre Centre de service autorisé le plus proche, ou le service de l'usine Whirlpool en composant le 1-800-442-1111.

Pour plus d'assistance

Si vous avez besoin de plus d'assistance, vous pouvez écrire en soumettant toute question ou problème au :

Customer Interaction Center
c/o Correspondence Dept.
2000 North M-63
Benton Harbor, MI 49022-2692

Veuillez indiquer dans votre correspondance un numéro de téléphone où on peut vous joindre dans la journée.

Si vous avez besoin d'assistance ou de service au Canada

1. Si le problème n'est pas attribuable à l'une des causes indiquées dans « Dépannage »†...



Communiquer avec le marchand chez qui vous avez acheté votre appareil électroménager, ou téléphoner au Centre d'assistance aux consommateurs, sans frais d'interurbain entre 8 h 30 et 18 h 00 (HNE) au 1-800-235-0665.

2. Si vous avez besoin de service†...

Communiquer avec la plus proche succursale ou le plus proche établissement de service agréé de Inglis Ltée pour l'entretien de votre appareil. (Voir la liste ci-dessous.)

†Lorsque vous demandez de l'assistance ou une intervention, veuillez fournir une description détaillée du problème, les numéros complets du modèle et de série de l'appareil, et la date d'achat. Ces renseignements nous aideront à mieux répondre à votre demande.

Succursales de service direct :

COLOMBIE-BRITANNIQUE		1-800-665-6788
ALBERTA		1-800-661-6291
ONTARIO (à l'exception de l'indicatif régional 807)	Région d'Ottawa	1-800-267-3456
	En dehors de la région d'Ottawa	1-800-807-6777
MANITOBA, SASKATCHEWAN et indicatif régional 807 en ONTARIO		1-800-665-1683
QUÉBEC	Montréal (à l'exception de la rive sud)	1-800-361-3032
	Rive Sud Montréal	1-800-361-0950
	Québec	1-800-463-1523
	Sherbrooke	1-800-567-6966
PROVINCES DE L'ATLANTIQUE		1-800-565-1598

Pour plus d'assistance

Si vous avez besoin d'autre d'assistance, vous pouvez écrire à Inglis Ltée en soumettant toute question ou préoccupation au :

Service des relations avec la clientèle
Inglis Ltée
1901 Minnesota Court
Mississauga, Ontario L5N 3A7

Veuillez indiquer dans votre correspondance un numéro de téléphone où on peut vous joindre durant la journée.

www.inglislimited.com

Free Manuals Download Website

<http://myh66.com>

<http://usermanuals.us>

<http://www.somanuals.com>

<http://www.4manuals.cc>

<http://www.manual-lib.com>

<http://www.404manual.com>

<http://www.luxmanual.com>

<http://aubethermostatmanual.com>

Golf course search by state

<http://golfingnear.com>

Email search by domain

<http://emailbydomain.com>

Auto manuals search

<http://auto.somanuals.com>

TV manuals search

<http://tv.somanuals.com>