

CONVERTIBLE KITCHEN RANGE HOOD FOR 120 V. OPERATION



FOR VENTLESS INSTALLATION
USE DUCTLESS KIT RCH 4660

KITCHEN
RANGE HOOD
MODEL

RH4300XL
SERIES

INSTALLATION INSTRUCTIONS

READ AND SAVE THESE INSTRUCTIONS

Before you begin, read the following instructions completely and carefully. If followed, they will simplify the installation job.

IMPORTANT: OBSERVE ALL GOVERNING CODES AND ORDINANCES

SAVE THESE INSTRUCTIONS FOR THE LOCAL ELECTRICAL INSPECTOR'S USE

Your range hood has been designed to filter out smoke, odors and grease which rise from the cooking surface. Before you begin the installation be sure that all parts and accessories are removed from carton. For best results and ease in the installation of this range hood, read the instructions sheet to become familiar with the step by step installation.

YOUR HOOD CAN BE INSTALLED VENTLESS WHERE AIR IS CIRCULATED BACK INTO THE ROOM THROUGH THE FILTER OR VENTED WHERE AIR IS TAKEN OUT OF YOUR KITCHEN.

For most efficient operation, the top of the hood should be approximately 66 inches (167.6 cm) from the floor. See Page 2 for examples of typical ductwork installations. Choose the best method for your installation.

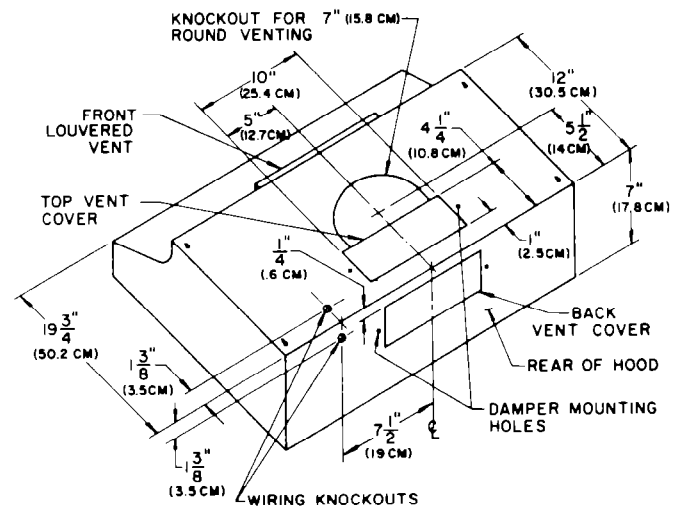


FIG. 1

TOOLS AND MATERIALS REQUIRED



- Drill, electric or ratchet drive, with 1-1/4" wood bit (to drill an access hole in the cabinet or kitchen wall for the electric power line.)



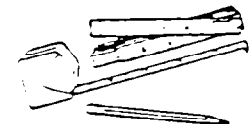
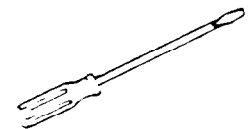
- One common head screwdriver (to secure hood mounting screws to the cabinet and hood sheet metal parts).

- Pliers (for opening knockouts).

- Pencil, ruler and level for marking cabinet locations.

- Saber saw or keyhole saw for cutting the wall or cabinet openings.

- Caulking, metal snips, duct tape, ducts (with elbow and transition, if necessary) and wall cap or roof cap, as required.



1. For vented applications, see Figures 3, 4, and 5. Typical vented installations are shown for the 7" Round Vertical, 3 1/4 x 10 Vertical, and the 3 1/4 x 10 Horizontal Discharge respectively. Choose the best method for your installation.
2. Mark locations on cabinet or wall for ventilating duct and electrical wiring from dimensions given in Figure 1.
3. Cut holes at marked locations to accommodate ventilating duct and electrical wiring. Allow 3/4" (1.91 cm) extra on ventilating opening toward the front of cabinet directly above the hood. Be sure to minimize openings through outside walls or the ceiling. These will have to be sealed later.
4. Run wire through wall or cabinets according to the National Electrical Code and applicable local codes. **DO NOT** turn power on until installation is complete.
5. Remove screws holding junction box cover. See Figure 7.
6. Lift the hood into position and mark the hole locations on the cabinet for each of the four keyhole mounting slots.

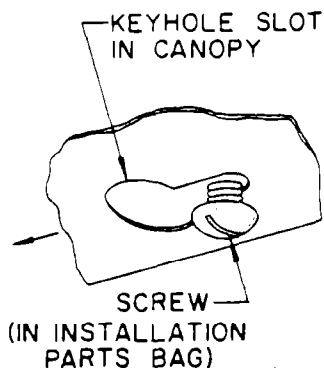


FIG. 2

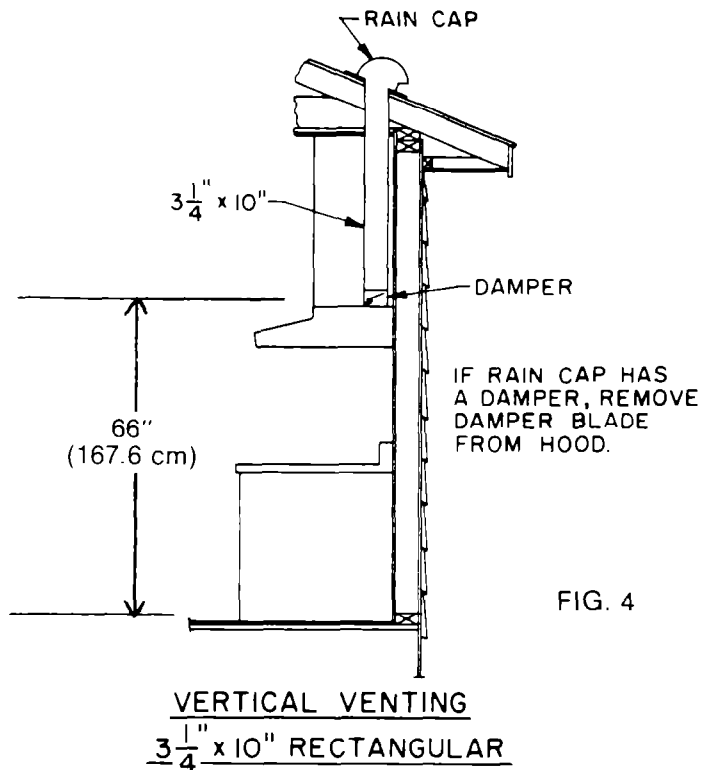


FIG. 4

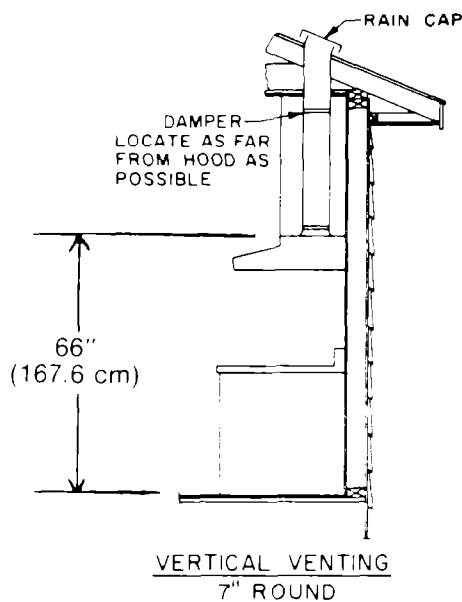


FIG. 3

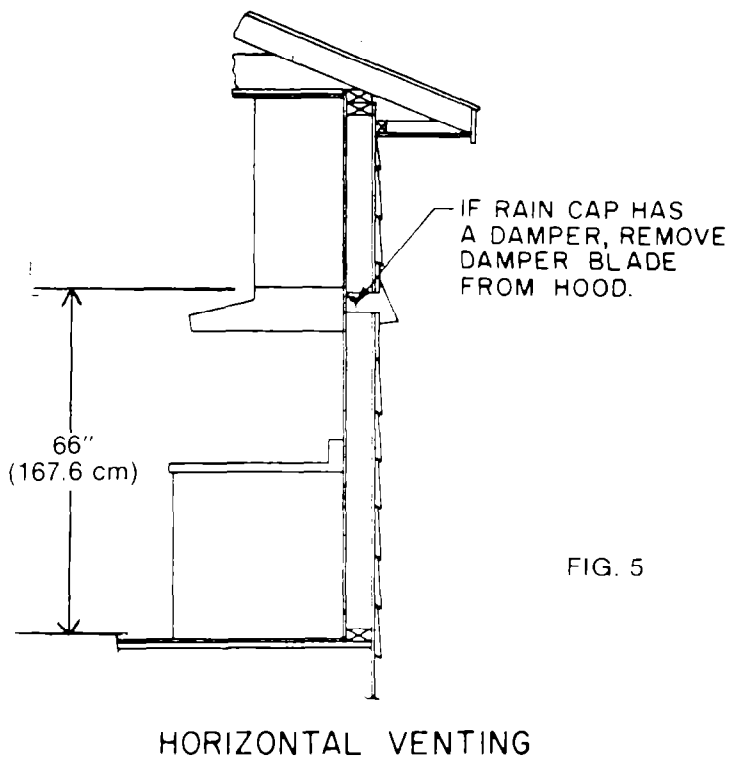


FIG. 5

7. Remove the hood and start all four screws in the center of the narrow neck of the keyhole slot marked on the cabinet bottom. See Figure 2.
 8. Remove proper venting knockout. If 7" (17.8 cm) round vertical venting, entire top knockout including rectangular portion must be removed. The best performance from your hood, with most air taken from the kitchen and when the hood is most quiet, comes when you top vent with 7" round duct pipe as shown in Figure 3.
- FOR RECTANGULAR VENTING: There are predrilled holes on hood so you can attach damper to hood with small sheet metal screws included.
9. Install proper ductwork. For round vented installations, a round damper should be placed in the ductwork to prevent air infiltration.
 10. Lift the hood into position simultaneously feeding the electrical wire through the knockout.
 11. Tighten four mounting screws to secure hood to cabinet. Be sure the screw heads are in the narrow neck of the keyhole slot.
 12. Complete electrical wiring in the junction box according to the National Electrical Code and applicable local codes.

NOTE: This unit must be permanently grounded.

13. Replace junction box cover.
14. Seal holes around ventilating pipe and wiring passing through ceiling or outside wall with caulking or insulation to prevent heat loss.
15. Be sure that damper which is supplied with this model is properly installed. (See Figures 3,4, & 5).

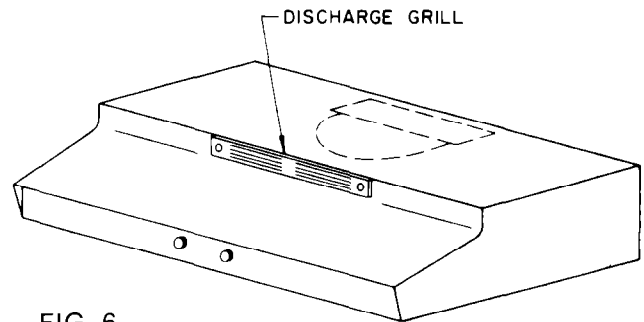


FIG. 6

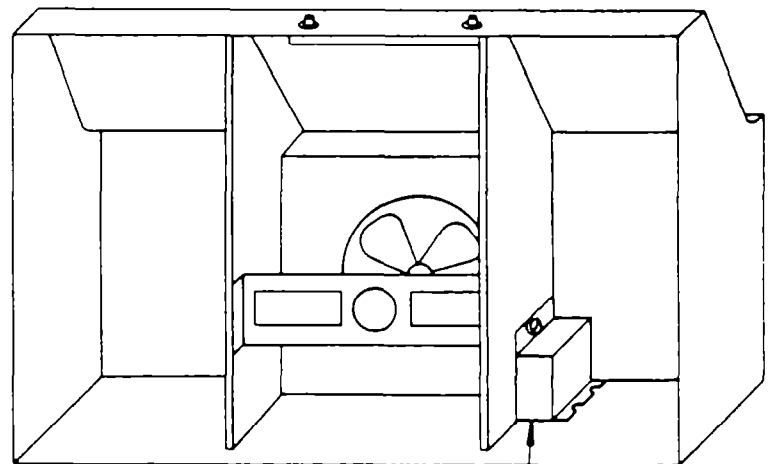
NOTE:

- A. For round vertical venting, remove the entire top knockout including the rectangular portion.
- B. For rectangular vertical venting, remove the 3¼" x 10" rectangular knockout only.

FOR VENTLESS INSTALLATION

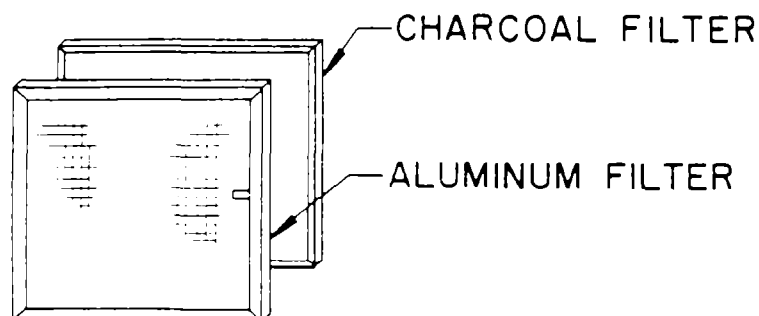
1. To convert your range hood to ventless, remove the discharge grill shown in Figure 6 by pulling with fingers. Remove the metal back seal from behind the louver.
2. Replace discharge grill and secure with plastic rivets by pushing with thumb.
3. Follow instructions under "Vented Installations" for wiring and mounting. Omit ductwork preparations.
4. Install charcoal filter from ventless kit **behind aluminum filter**. (See Figure 7).

LIGHT LENS



JUNCTION BOX COVER

FIG. 7



CARE OF FILTERS:

ALUMINUM FILTER: For greater efficiency, the permanent type aluminum filter should be removed and cleaned periodically.

To clean, the filter should be soaked in hot water and detergent, and thoroughly rinsed. The aluminum filter can be cleaned in a dishwasher.

CHARCOAL FILTER: This filter should be inspected periodically and when it becomes saturated, should be replaced. There are no effective means of reactivating charcoal filters.

LIGHTS:

Do not use bulb larger than 75 watts in light socket.

CARE OF FAN MOTOR:

Fan motor has life time sealed bearings that never need oiling under normal usage. A few drops on each bearing after three years of heavy usage will prolong the motor life. Clean motor with a damp cloth and grease cutting detergent when a heavy coating of grease has accumulated.

CARE OF EXTERIOR SURFACES:

Your range hood is a beautifully finished addition to your kitchen and requires only the care you give your range to preserve its lasting beauty. Clean with a mild detergent to preserve finish. **DO NOT** use abrasive cleaners.

For most effective removal of smoke and odors, turn on fan at beginning of cooking operation and allow to run until smoke and odors are removed from room.

IMPORTANT SAFEGUARDS FOR ELECTRICAL APPLIANCES

When using electrical appliances, basic safety precautions should always be followed including the following:

1. Read and follow all instructions.
2. Close supervision is necessary when any appliance is used by or near children.
3. To avoid providing fuel for a grease pan fire, clean lint and grease from all hood surfaces-interior and exterior. Be sure to remove and clean air filter every three months.
4. Do not saturate electrical connections, switches, and motors in water during cleaning. Remember, **WATER AND ELECTRICITY DO NOT MIX!**
5. If any electrical malfunction becomes evident during use, disconnect power to hood at your home fuse or breaker box.
6. To prevent risk of fire, electric shock, or injury, be sure to disconnect power before cleaning or servicing.

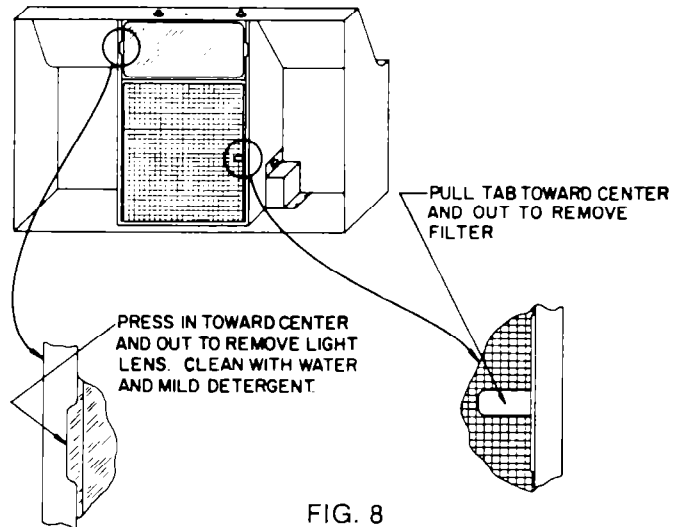


FIG. 8

If you need service or assistance, we suggest you follow these four steps:

1. Before calling for assistance...

Performance problems often result from little things you can find and fix yourself without tools of any kind.

If nothing operates:

- Have you checked the main fuse or circuit breaker box?

2. If you need assistance...

Call the Whirlpool COOL-LINE® service assistance telephone number. Dial free from:

Continental U.S.	(800) 253-1301
Michigan	(800) 632-2243
Alaska & Hawaii	(800) 253-1121

and talk with one of our trained Consultants. The Consultant can instruct you in how to obtain satisfactory operation from your appliance or, if service is necessary, recommend a qualified service company in your area.



3. If you need service...



Whirlpool has a nationwide network of franchised TECH-CARE® Service Companies. TECH-CARE service technicians are trained to fulfill the product warranty and provide after-

warranty service anywhere in the United States. To locate TECH-CARE service in your area, call our COOL-LINE service assistance telephone number (see Step 2) or look in your telephone directory Yellow Pages under

APPLIANCES—HOUSEHOLD
MAJOR—SERVICE & REPAIR

ELECTRICAL APPLIANCES—
MAJOR—REPAIRING & PARTS

WHIRLPOOL APPLIANCES
FRANCHISED TECH-CARE SERVICE

OR WHIRLPOOL APPLIANCES
FRANCHISED TECH-CARE SERVICE

SERVICE COMPANIES
XYZ SERVICE CO
123 Maple

SERVICE COMPANIES
XYZ SERVICE CO
123 Maple

999-9999 OR
WASHING MACHINES, DRYERS
& IRONERS—SERVICING

WHIRLPOOL APPLIANCES
FRANCHISED TECH-CARE SERVICE

SERVICE COMPANIES
XYZ SERVICE CO
123 Maple

999-9999

4. If you have a problem...

Call our COOL-LINE service assistance telephone number (see Step 2) and talk with one of our Consultants, or if you prefer, write to

Mr. Robert Stanley, Division VP
Whirlpool Corporation
Administrative Center
2000 US-33 North
Benton Harbor, MI 49022

If you must call or write, please provide model number, serial number, date of purchase, and a complete description of the problem. This information is needed in order to better respond to your request for assistance.

Free Manuals Download Website

<http://myh66.com>

<http://usermanuals.us>

<http://www.somanuals.com>

<http://www.4manuals.cc>

<http://www.manual-lib.com>

<http://www.404manual.com>

<http://www.luxmanual.com>

<http://aubethermostatmanual.com>

Golf course search by state

<http://golfingnear.com>

Email search by domain

<http://emailbydomain.com>

Auto manuals search

<http://auto.somanuals.com>

TV manuals search

<http://tv.somanuals.com>