

VENTED KITCHEN RANGE HOOD FOR 120 V. OPERATION



KITCHEN RANGE HOOD MODEL

RH7330XL

INSTALLATION INSTRUCTIONS

READ AND SAVE THESE INSTRUCTIONS

Before you begin, read the following instructions completely and carefully. If followed, they will simplify the installation job.

IMPORTANT: OBSERVE ALL GOVERNING CODES AND ORDINANCES

SAVE THESE INSTRUCTIONS FOR THE LOCAL ELECTRICAL INSPECTOR'S USE

This unit can be vented vertically through upper cabinets or horizontally through an outside wall. A typical vertical installation is shown in Figure 3. A typical horizontal installation is shown in Figure 4.

For the most efficient operation, the top of the hood should be approximately 66 inches (167.6 cm) from the floor.

1. Make a template or transfer measurements shown in Fig. 1 to cabinets or wall.
2. Cut holes to accommodate ventilating duct allowing $\frac{1}{4}$ " clearance on all 4 sides for back vent. Allow $\frac{3}{4}$ " clearance toward front for vertical vent. Allow $\frac{1}{4}$ " on other 3 sides for top vent.
3. Cut appropriate hole for electrical wiring.
4. Run wire through wall or cabinets according to National Electrical Code and applicable local codes. (**DO NOT** turn power on until installation is complete.)

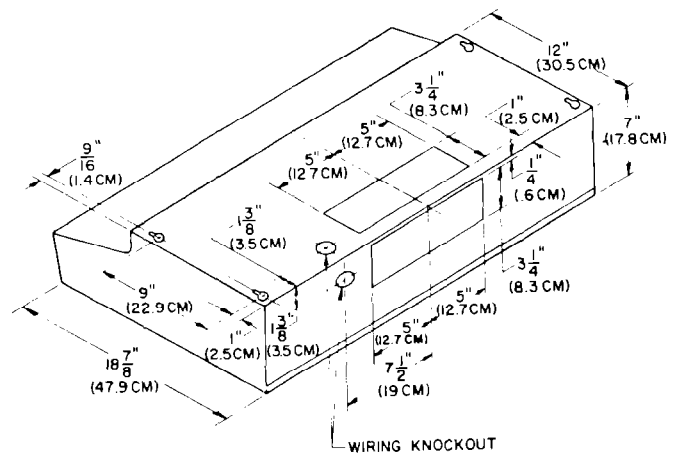
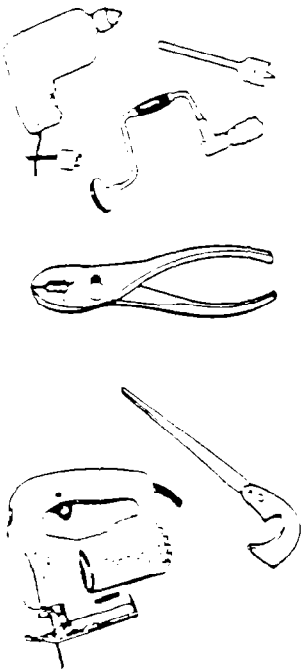
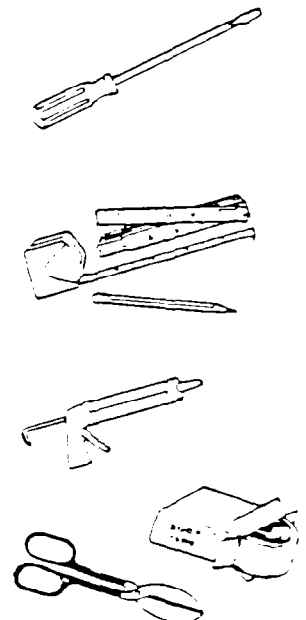


Figure 1

TOOLS AND MATERIALS REQUIRED



- Drill, electric or ratchet drive, with $1\frac{1}{4}$ " wood bit (to drill an access hole in the cabinet or kitchen wall for the electric power line.)
- One common head screwdriver (to secure hood mounting screws to the cabinet and hood sheet metal parts).
- Pliers (for opening knockouts).
- Pencil, ruler and level for marking cabinet locations.
- Saber saw or keyhole saw for cutting the wall or cabinet openings.
- Caulking, metal snips, duct tape, ducts (with elbow and transition if necessary) and wall cap or roof cap, as required.



5. For an easier installation, remove the filters and the Three assemblies shown in Fig. 9. This reduces the weight about 40%. The blower cover and light frame assembly are held into place with thumb screws. To remove the blower assembly, first unplug the blower supply cord from the junction box. Remove the packing screw from the blower retaining rod, then pull the blower retaining rod to one side, freeing it from between the bumps on the blower housing.

6. Remove screw holding junction box cover.

7. Remove proper electrical knockout. See Figure 1.

8. Remove proper venting knockout. See Fig. 1. NOTE: If horizontal discharge is selected, an additional knockout in the blower cradle must be removed.

9. Attach the damper as shown in Figure 5 for vertical discharge or Fig. 6 for horizontal discharge.

10. Lift the hood into position. Mark location of four mounting holes.

11. Remove hood and start all four screws in center of narrow neck of keyhole slot marked on cabinet bottom.

12. Lift into position on four screws simultaneously feeding electrical wire through knockout.

13. Tighten screws to secure hood. Be sure screw head is in narrow neck of keyhole slot.

14. Install proper duct work.

15. Complete electrical wiring in junction box according to the national Electrical Code and applicable Local Codes.

NOTE: This unit must be permanently grounded in accordance with the National Electrical Code and applicable Local Codes.

16. Replace junction box cover.

17. Replace blower. Note different blower positions in Figure 7 for vertical venting and Figure 8 for horizontal venting.

18. Replace blower cover, light frame assembly and filters. NOTE: It has been found that a large part of the energy loss of the average home is due to outside air infiltrating the structure. Seal around ductwork where it passes through outside walls or ceiling. Seal around electrical wiring also.

19. Be sure that damper which is supplied with this model is properly installed. (See Figures 3 & 4).

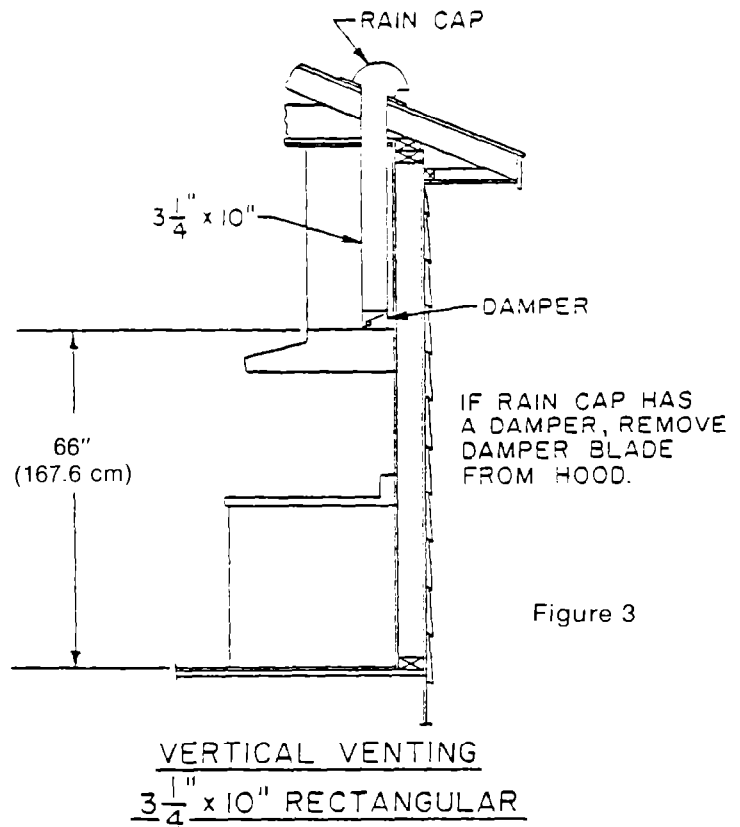


Figure 3

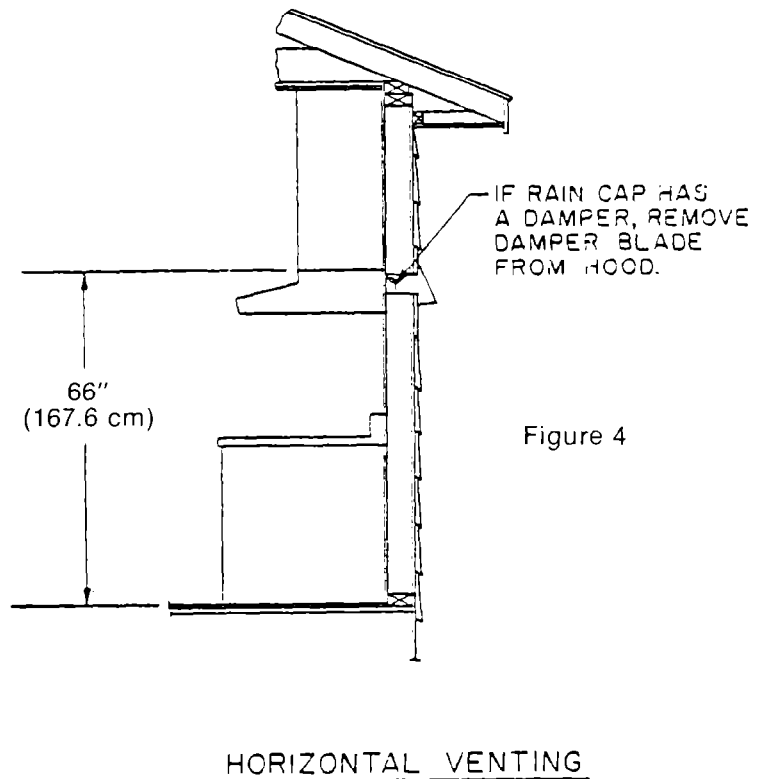


Figure 4

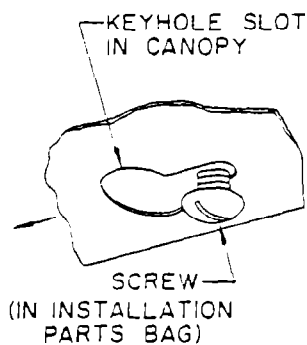


Figure 2

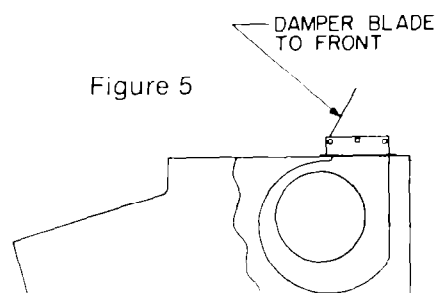


Figure 5

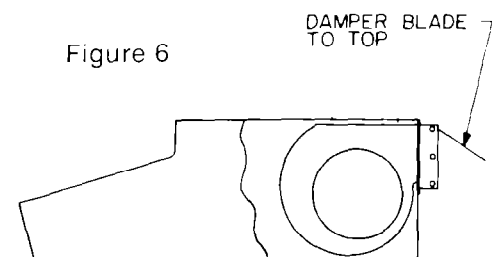


Figure 6

RANGE HOOD BLOWER ORIENTATION

NOTE: Before reinstalling the blower Assembly, check the damper for free operation. Open the damper blade and check for any restrictions in the duct system. Check installation instructions for proper duct sizing.

Correct Blower orientation is imperative. Incorrect installation will drastically cut air flow and cause Blower to run at maximum RPM regardless of motor speed control setting.

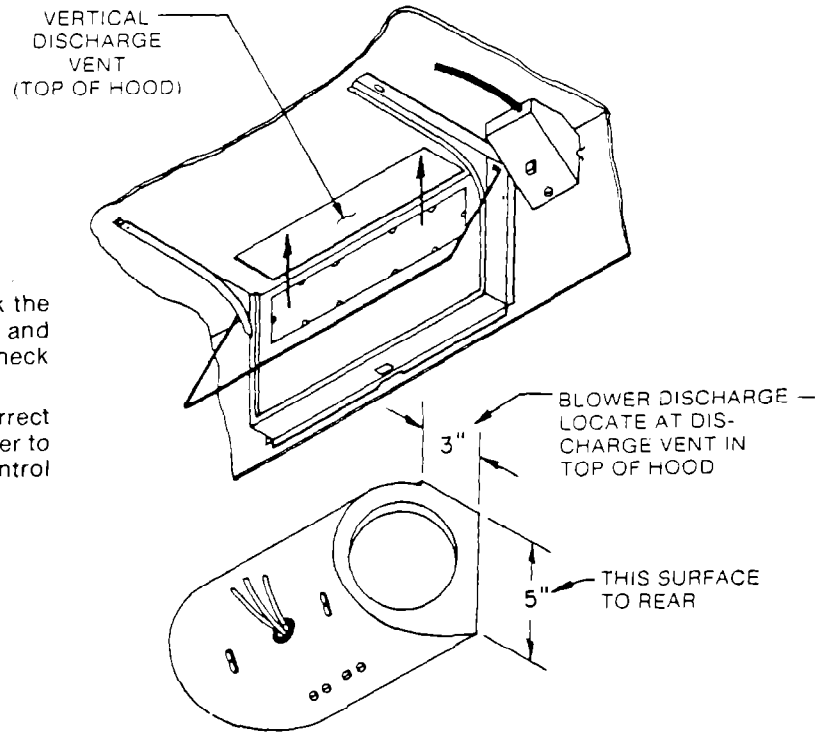


Figure 7
VERTICAL DISCHARGE

VERTICAL DISCHARGE:

1. Figure 7 shows the proper Blower Assembly orientation for vertical discharge.
2. From the blower position shown in Figure 7, lift the Blower Assembly vertically into mounting position.
3. The 3" blower discharge surface should now be flush against **top** of hood. This will allow proper air flow from the blower through the top vent. (The wider 5" surface will be to the **rear**.)

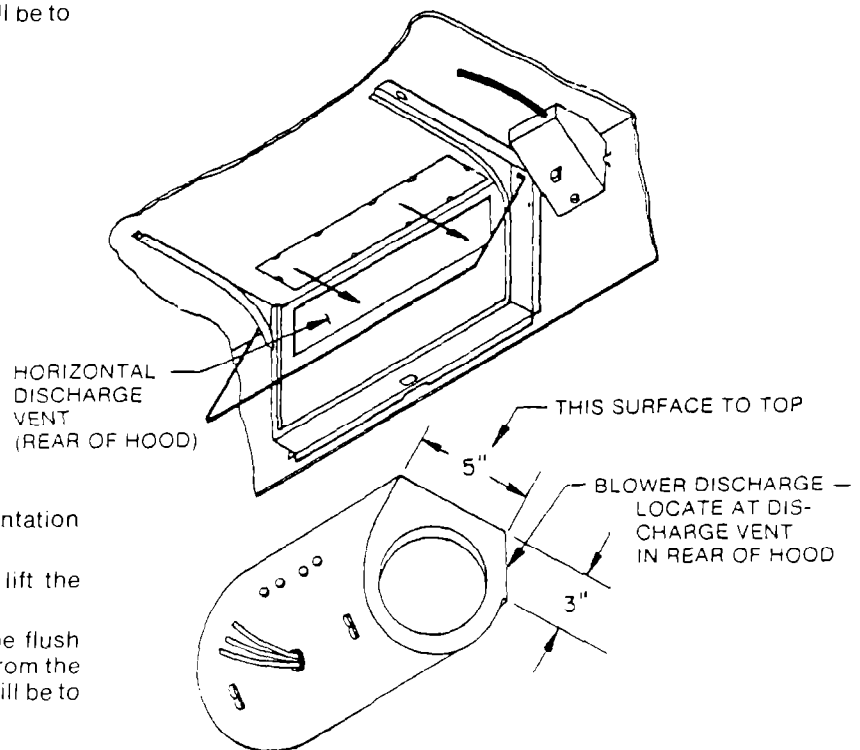


Figure 8
HORIZONTAL DISCHARGE

HORIZONTAL DISCHARGE:

1. Figure 8 shows the proper Blower Assembly orientation for horizontal discharge.
2. From the Blower position shown in Figure 8, lift the blower Assembly vertically into position.
3. The 5" Blower discharge surface should now be flush against **rear** of hood. This will allow proper air flow from the Blower through the rear vent. (the wider 5" surface will be to the **top**.)

OPERATION AND CARE OF UNIT

LIGHT SWITCH

Select two light bulbs up to 75 watts each to achieve desired lighting level.

BLOWER CONTROL

This range hood has a solid state motor speed control. After setting the control to a desired speed, it will take approx. 15 seconds for the blower to respond to that setting.

CARE OF FILTER

For greatest efficiency, the permanent aluminum filter should be removed and cleaned periodically. The filter can be washed in a dishwasher.

CARE OF EXTERIOR SURFACES:

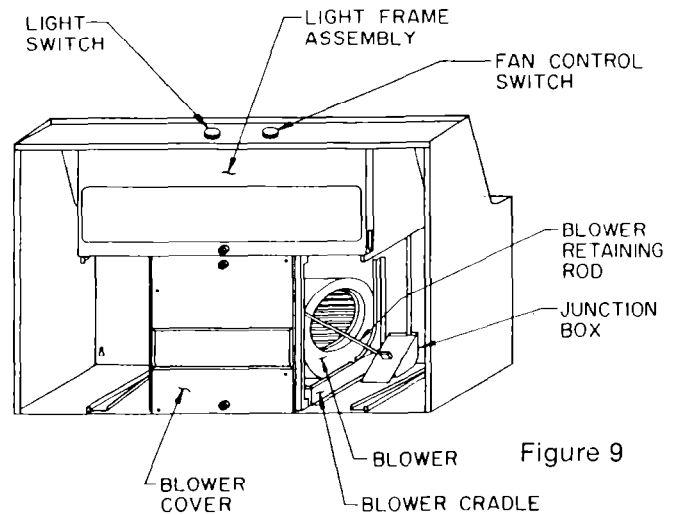
Your range hood is a beautifully finished addition to your kitchen and requires only the care you give your range to preserve its lasting beauty. Clean with a mild detergent to preserve finish. DO NOT use abrasive cleaners.

For most effective removal of smoke and odors, turn on fan at beginning of cooking operation and allow to run until smoke and odors are removed from the room.

IMPORTANT SAFEGUARDS FOR ELECTRICAL APPLIANCES

When using electrical appliances, basic safety precautions should always be followed including the following:

1. Read and follow all instructions.
2. Close supervision is necessary when any appliance is used by or near children.
3. To avoid providing fuel for a grease pan fire, clean lint and grease from all hood surfaces-interior and exterior. Be sure to remove and clean air filter every three months.
4. Do not saturate electrical connections, switches, and motor in water during cleaning. Remember, WATER AND ELECTRICITY DO NOT MIX!
5. If any electrical malfunction becomes evident during use, disconnect power to hood at your home fuse or breaker box.



If you need service or assistance, we suggest you follow these four steps:

1. Before calling for assistance...

Performance problems often result from little things you can find and fix yourself without tools of any kind.

If nothing operates:

- Have you checked the main fuse or circuit breaker box?

2. If you need assistance...

Call the Whirlpool COOL -LINE® service assistance telephone number. Dial free from:

Continental U.S. (800) 253-1301
 Michigan (800) 632-2243
 Alaska & Hawaii (800) 253-1121

and talk with one of our trained Consultants. The Consultant can instruct you in how to obtain satisfactory operation from your appliance or, if service is necessary, recommend a qualified service company in your area.



3. If you need service...



Whirlpool has a nationwide network of franchised TECH-CARE® Service Companies. TECH-CARE service technicians are trained to fulfill the product warranty and provide after-

warranty service anywhere in the United States. To locate TECH-CARE service in your area, call our COOL-LINE service assistance telephone number (see Step 2) or look in your telephone directory Yellow Pages under:

APPLIANCES—HOUSEHOLD MAJOR—SERVICE & REPAIR	OR	ELECTRICAL APPLIANCES— MAJOR—REPAIRING & PARTS
WHIRLPOOL APPLIANCES FRANCHISED TECH-CARE SERVICE SERVICE COMPANIES XYZ SERVICE CO 123 Maple	OR	WHIRLPOOL APPLIANCES FRANCHISED TECH-CARE SERVICE SERVICE COMPANIES XYZ SERVICE CO 123 Maple
999-9999	OR	999-9999
WASHING MACHINES, DRYERS & IRONERS—SERVICING		
WHIRLPOOL APPLIANCES FRANCHISED TECH-CARE SERVICE SERVICE COMPANIES XYZ SERVICE CO 123 Maple	OR	999-9999

4. If you have a problem...

Call our COOL-LINE service assistance telephone number (see Step 2) and talk with one of our Consultants, or if you prefer, write to Mr. Guy Turner, Vice President
 Whirlpool Corporation
 Administrative Center
 2000 US-33 North
 Benton Harbor, MI 49022

If you must call or write, please provide model number, serial number, date of purchase, and a complete description of the problem. This information is needed in order to better respond to your request for assistance.

Free Manuals Download Website

<http://myh66.com>

<http://usermanuals.us>

<http://www.somanuals.com>

<http://www.4manuals.cc>

<http://www.manual-lib.com>

<http://www.404manual.com>

<http://www.luxmanual.com>

<http://aubethermostatmanual.com>

Golf course search by state

<http://golfingnear.com>

Email search by domain

<http://emailbydomain.com>

Auto manuals search

<http://auto.somanuals.com>

TV manuals search

<http://tv.somanuals.com>