

CONVERTIBLE KITCHEN RANGE HOOD FOR 120 V. OPERATION



FOR VENTLESS INSTALLATION
USE DUCTLESS KIT RCH 9600

KITCHEN
RANGE HOOD
MODEL

RH9330XL

INSTALLATION INSTRUCTIONS

READ AND SAVE THESE INSTRUCTIONS

Before you begin, read the following instructions completely and carefully. If followed, they will simplify the installation job.

IMPORTANT: OBSERVE ALL GOVERNING CODES AND ORDINANCES

SAVE THESE INSTRUCTIONS FOR THE LOCAL ELECTRICAL INSPECTOR'S USE

WAYS TO INSTALL VENTILATING DUCT:

There are three ways to install the ventilating duct. Select the most practical method for your particular installation.

Figure 7: 7" dia. round venting through the roof.

Figure 8: Transition, from the 7" dia. stack provided on the hood to a 3 1/4 x 10 rectangular duct, for roof venting.

Figure 9: 7" dia. elbow, for horizontal venting, with a wall cap.

The duct, wall cap and roof cap shown in Figure 7, 8 and 9 are not included with your range hood.

These items can be purchased separately.

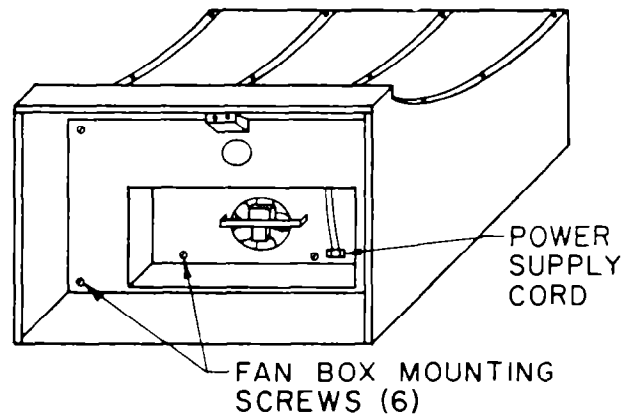
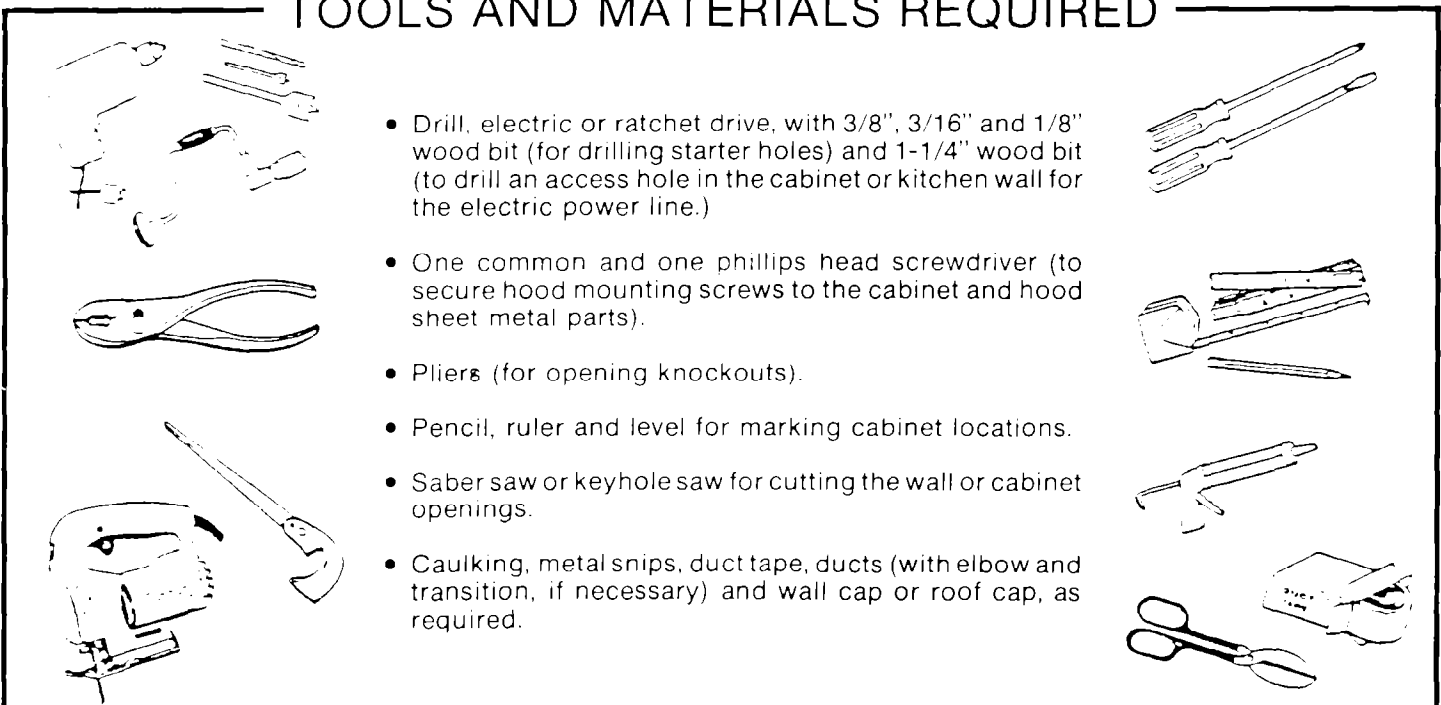


FIGURE 1

TOOLS AND MATERIALS REQUIRED



INSTALLATION UNDER KITCHEN FURR DOWN

1. For easy, one man installation, hood should be disassembled.

First, remove the aluminum filter from fan box assembly by pulling tab toward opposite end of filter.

Remove two mounting screws found in fan box near back. (Figure 1.)

Unplug power supply cord connection near back.

Remove additional four screws from fan box assembly and lift assembly out.

Remove four screws holding top to canopy assembly.

2. FOR TOP VENTING:(Figures 2, 7 & 8)

Using the canopy top as a hole locating pattern, make a 7 $\frac{1}{4}$ " diameter hole. If the optional rectangular transition is to be used, make a 3 $\frac{1}{2}$ "x10 $\frac{1}{4}$ " rectangular hole. Mark and cut hole for wiring. Flanged hole is provided in canopy for wiring entrance.

FOR WALL VENTING: (Figures 2 & 9) Establish center line for the hole pattern by measuring half the width of the canopy and 10 $\frac{1}{4}$ " from the top of the canopy. Make a 7 $\frac{1}{4}$ " diameter hole through the wall. Mark and cut hole for wiring. Flanged hole is provided in canopy top for wiring entrance.

FOR DUCTLESS INSTALLATION: Refer to instructions found in ductless kit RCH 9600 for remaining installation procedure.

3. Install canopy top to kitchen furr down with four screws provided in installation pack, Fig. 5.
4. Install canopy assembly by sliding top flanges of canopy assembly onto mating flanges on canopy top, Figure 5. Secure with 4 screws previously removed.
5. Make electrical connection at wiring box on back of canopy assembly according to Figures 3 & 6.
6. With necessary duct work in place (see Fig. 4), lift fan box assembly into position and secure with 6 screws.
7. Plug hood power supply into receptacle.
8. Replace filter.

FREE STANDING WALL INSTALLATION:

1. For easy, one man installation, hood should be disassembled.

First, remove the aluminum filter from the fan box assembly by pulling tab toward opposite end of filter. Remove two mounting screws found in fan box near back. (Figure 1)

Unplug power supply cord connection near back. Remove additional four screws from fan box assembly and lift assembly out.

2. Lift canopy assembly and mark location for 2 mounting holes at top of key hole slots. (Figure 4)

3. Insert screws into marked location leaving 1/16 to 1/8 inch between wall and screw head.

NOTE: If hollow sheetrock wall is encountered, molly bolts should be used instead of those provided in installation packet. Additional support should be provided after canopy is in place, when hollow wall molly bolts are used.

4. Hang hood on mounting screws and mark location for venting and wiring. Remove canopy to cut holes.

FOR TOP VENTING: Mark venting hole locations through the ceiling or other obstructions between hood top and attic. Cut a 7 $\frac{1}{4}$ " diameter hole for round venting (Fig. 7) or a 3 $\frac{1}{2}$ " x 10 $\frac{1}{4}$ " hole for rectangular venting, Fig. 8.

FOR WALL VENTING: Establish the center for the back vent hole by measuring half the width of the hood and down 10-1/4" from canopy top. See Figures 2 and 9.

FOR DUCTLESS INSTALLATION: Refer to instructions found in ductless kit RCH 9600 for remaining installation procedure.

5. Replace hood and tighten screws.
6. Make electrical connection at wiring at box on back of canopy according to Figures 3 & 6.
7. With necessary duct in place (see Figure 4) lift fan box assembly into position and secure with six screws.
8. Plug hood power supply into receptacle.
9. Replace filter.

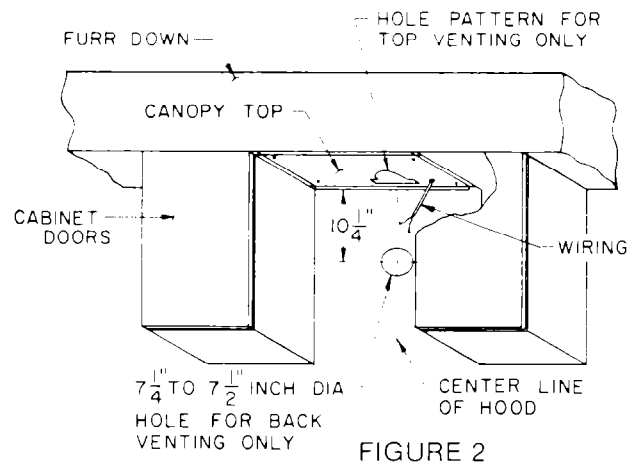


FIGURE 2

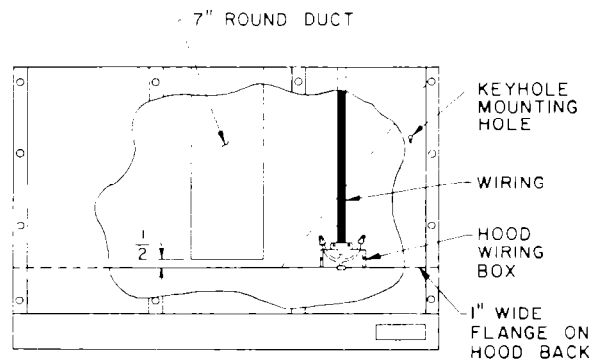


FIGURE 3

ELECTRICAL GROUNDING:

Permanently ground this unit in accordance with the latest National Electrical Code and applicable local codes and ordinances. It is recommended that a permanent ground connection be made to the unit using a conductor of appropriate size from a grounded continuous metallic cold water pipe, a grounded lead in the service panel or a properly driven and electrically grounded ground rod. Do not ground to a gas supply pipe.

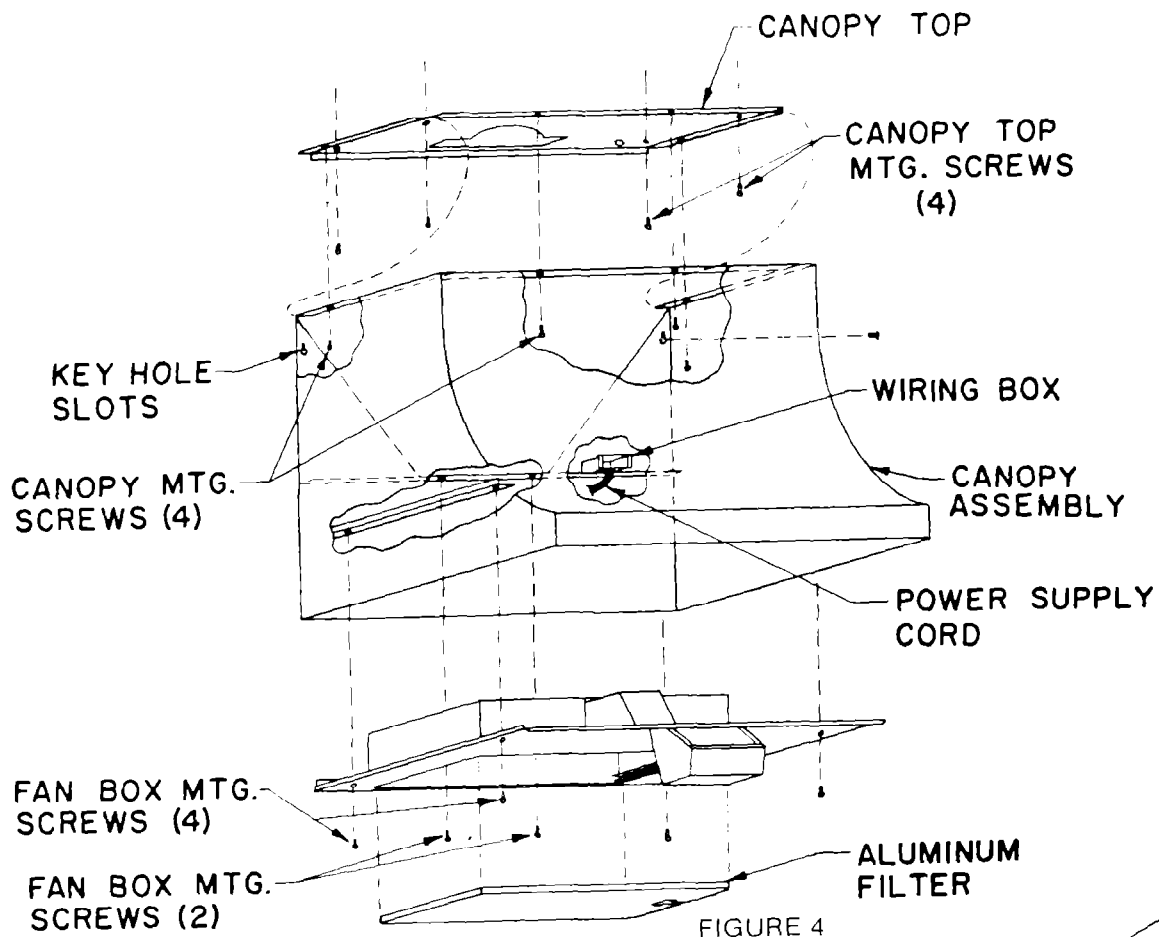


FIGURE 4

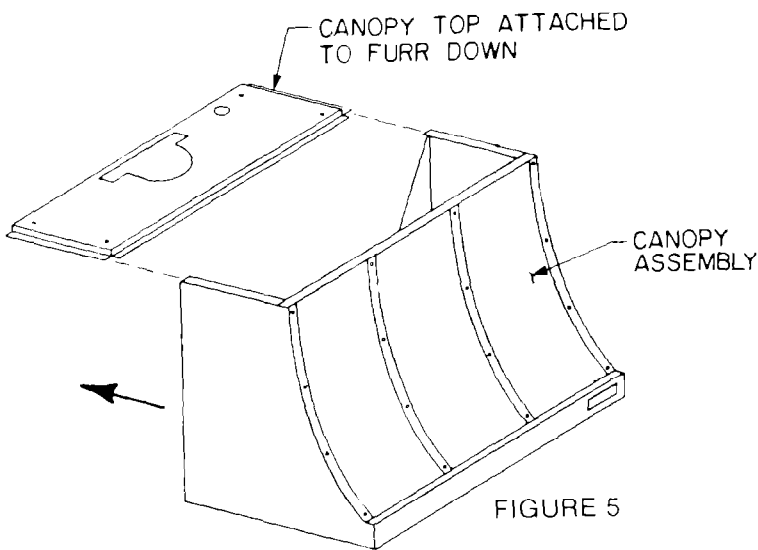


FIGURE 5

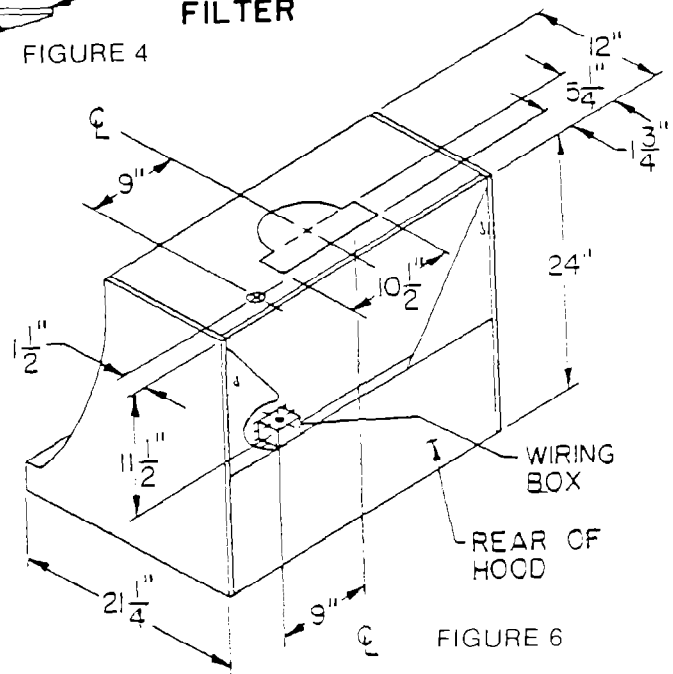


FIGURE 6

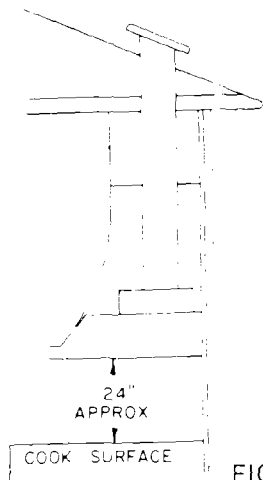


FIGURE 7

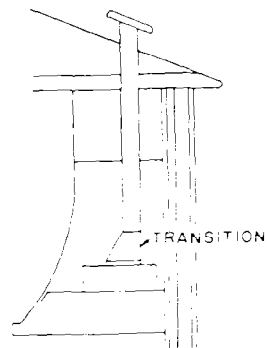


FIGURE 8

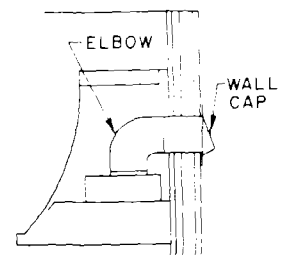


FIGURE 9

IMPORTANT SAFEGUARDS FOR ELECTRICAL APPLIANCES

When using electrical appliances, basic safety precautions should always be followed including the following:

1. Read and follow all instructions.
2. Close supervision is necessary when any appliance is used by or near children.
3. To avoid providing fuel for a grease pan fire clean lint and grease from all hood surfaces - interior and exterior.

4. Do not saturate electrical connections, switches, and motor in water during cleaning. Remember, **WATER AND ELECTRICITY DO NOT MIX!**
5. If any electrical malfunction becomes evident during use, disconnect power to hood at your home fuse or breaker box.

OPERATION AND CARE OF UNIT

CAUTION:

Do not use lamp larger than 75 watts. Unit is designed to accept 75 watt flood lamp for greater illumination and bulb life.

CARE OF FILTER:

For greatest efficiency, the permanent-type aluminum foil grease filter should be removed & cleaned periodically. To clean, the filter should be soaked in hot water and detergent.

To remove filter, pull tab to side and pull filter down and out. To replace reverse the procedure.

CARE OF FAN MOTOR:

Fan motor has life time sealed bearings that never need oiling. Occasional cleaning of motor may be required. Do not immerse in water.

CLEAN ALL GREASE LADEN SURFACES FREQUENTLY.

CARE OF EXTERIOR SURFACES:

Your range hood is a beautifully finished addition to your kitchen and requires only the care you give your range to preserve its lasting beauty. Clean with a mild detergent to preserve finish. **DO NOT** use abrasive cleaners.

For effective removal of smoke and odors, turn on fan at beginning of cooking operation and allow to run until smoke and odors are removed from room.

If you need service or assistance, we suggest you follow these four steps:

1. Before calling for assistance...

Performance problems often result from little things you can find and fix yourself without tools.

If nothing operates:

- Have you checked the main fuse or circuit breaker box?

2. If you need assistance...

Call the Whirlpool COOL -LINE® service assistance telephone number. Dial free from:

Continental U.S. (800) 253-1301
Michigan (800) 632-2243
Alaska & Hawaii (800) 253-1121

and talk with one of our trained Consultants. The Consultant can instruct you in how to obtain satisfactory operation from your appliance or, if service is necessary, recommend a qualified service company in your area.

3. If you need service...



Whirlpool has a nationwide network of franchised TECH-CARE® Service Companies. TECH-CARE service technicians are trained to fulfill the product warranty and provide after-

warranty service anywhere in the United States. To locate TECH-CARE service in your area, call our COOL-LINE service assistance telephone number (see Step 2) or look in your telephone directory Yellow Pages under:

APPLIANCES—HOSEHOLD
MAJOR—SERVICE & REPAIR

ELECTRICAL APPLIANCES—
MAJOR—REPAIRING & PARTS

WHIRLPOOL APPLIANCES
FRANCHISED TECH-CARE SERVICE
SERVICE COMPANIES
XYZ SERVICE CO
123 Maple 999-9999

OR

WHIRLPOOL APPLIANCES
FRANCHISED TECH-CARE SERVICE
SERVICE COMPANIES
XYZ SERVICE CO
123 Maple 999-9999

OR

WASHING MACHINES, DRYERS
& IRONERS—SERVICING

WHIRLPOOL APPLIANCES
FRANCHISED TECH-CARE SERVICE
SERVICE COMPANIES
XYZ SERVICE CO
123 Maple 999-9999

4. If you have a problem...

Call our COOL-LINE service assistance telephone number (see Step 2) and talk with one of our Consultants, or if you prefer, write to:

Mr. Guy Turner, Vice President
Whirlpool Corporation
Administrative Center
2000 US-33 North
Benton Harbor, MI 49022

If you must call or write, please provide model number, serial number, date of purchase, and a complete description of the problem. This information is needed in order to better respond to your request for assistance.



Free Manuals Download Website

<http://myh66.com>

<http://usermanuals.us>

<http://www.somanuals.com>

<http://www.4manuals.cc>

<http://www.manual-lib.com>

<http://www.404manual.com>

<http://www.luxmanual.com>

<http://aubethermostatmanual.com>

Golf course search by state

<http://golfingnear.com>

Email search by domain

<http://emailbydomain.com>

Auto manuals search

<http://auto.somanuals.com>

TV manuals search

<http://tv.somanuals.com>