

INSTALLATION and OPERATING INSTRUCTIONS

for

Whirlpool CONVERTIBLE RANGE HOOD

RHH 4300 SERIES

INSTALLATION INSTRUCTIONS

Your range hood has been designed to filter out smoke, odors and grease which rise from the cooking surface. Before you begin the installation be sure that all parts and accessories are removed from carton. For best results and ease in the installation of this range hood, read the

instructions sheet to become familiar with the step by step installation.

TOOLS REQUIRED FOR INSTALLATION OF HOOD: A standard slot head screw driver, punch or ice pick, drill with 1/2-inch bit, keyhole saw and a ruler or tape measure.

TO INSTALL RANGE HOOD

YOUR HOOD CAN BE INSTALLED VENTLESS WHERE AIR IS CIRCULATED BACK INTO THE ROOM THROUGH THE FILTER OR VENTED WHERE AIR IS TAKEN OUT OF YOUR KITCHEN. For most efficient operation, top of hood should be approximately 66 inches (137.6 cm) from the floor.

1. For vented applications, see Figures 4, 5, and 6. Typical vented installations are shown for the 7" Round Vertical, 3 3/4 x 10 Vertical, and the 3 3/4 x 10 Horizontal Discharge respectively. Choose the best method for your installation.
2. Mark locations on cabinet or wall for ventilating duct and electrical wiring from dimensions given in Figure 1.
3. Cut holes at marked locations to accommodate ventilating duct and electrical wiring. Allow 3/4" (1.91 cm) extra on ventilating opening toward the front of cabinet directly above the hood. Be sure to minimize openings through outside walls or the ceiling. These will have to be sealed later. Figure 2 shows cabinet cutouts for the 3 3/4 x 10 Vertical Venting.
4. Run wire through wall or cabinets according to the National Electrical Code and applicable local codes. **DO NOT** turn power on until installation is complete.
5. Remove screws holding junction box cover. See Figure 8.
6. Lift the hood into position and mark the hole locations on the cabinet for each of the four keyhole mounting slots.

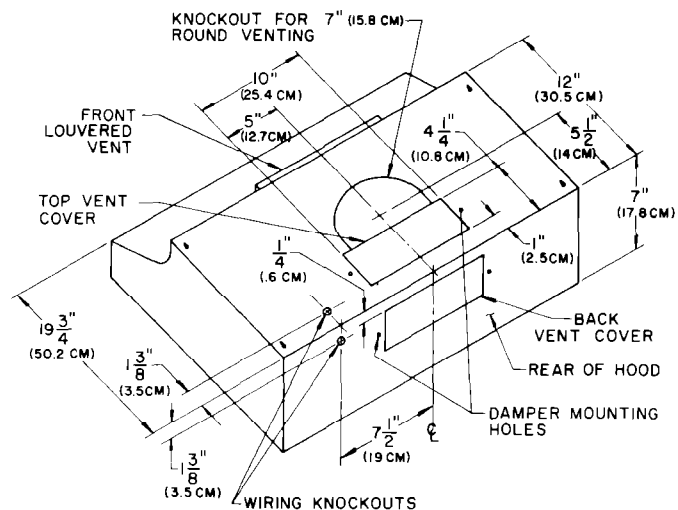


FIG. 1

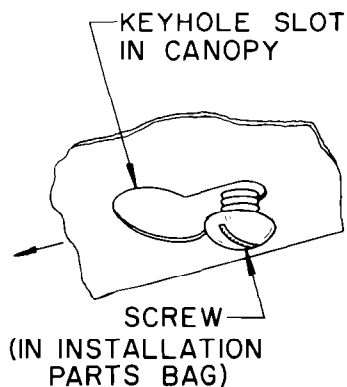


FIG. 3

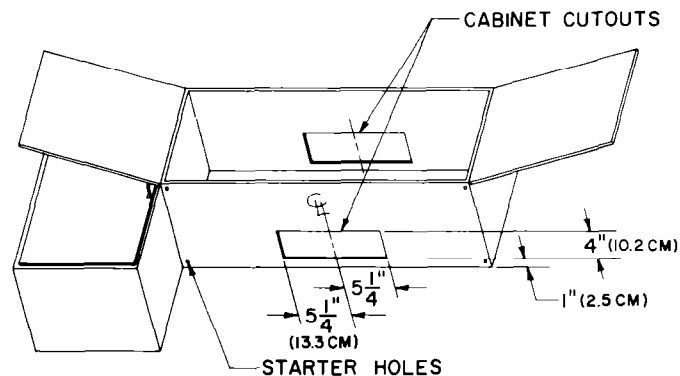


FIG. 2

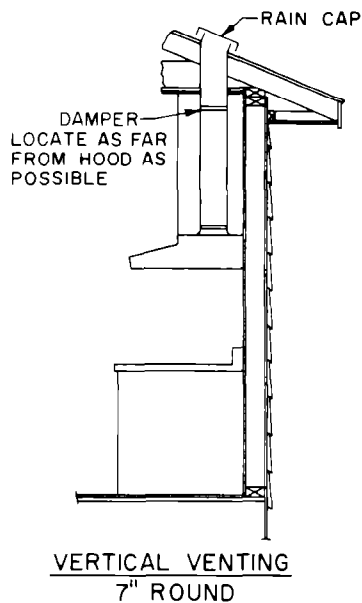


FIG. 4

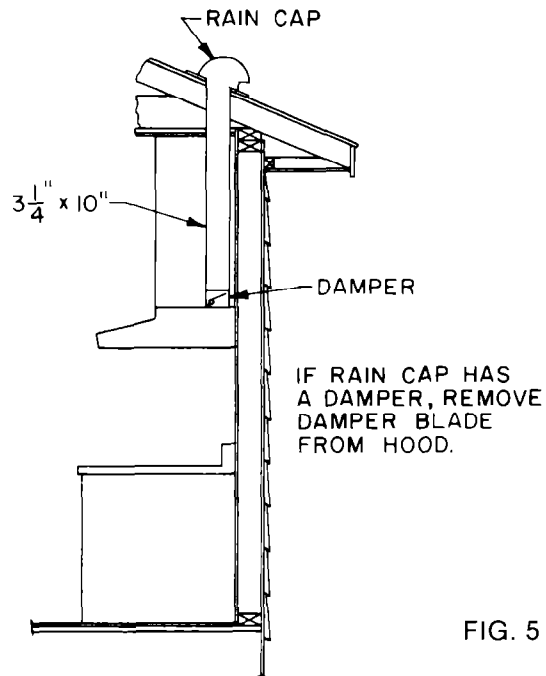


FIG. 5

VERTICAL VENTING
3 1/4 x 10\"/>

7. Remove the hood and start all four screws in the center of the narrow neck of the keyhole slot marked on the cabinet bottom. See Figure 3.
8. Remove proper venting knockout. If 7" (17.8 cm) round vertical venting, entire top knockout including rectangular portion must be removed. The best performance from your hood, with most air taken from the kitchen and when the hood is most quiet, comes when you top vent with 7" round duct pipe as shown in Figure 4.

FOR RECTANGULAR VENTING: There are predrilled holes on hood so you can attach damper to hood with small sheet metal screws included.

9. Install proper ductwork. For round vented installations, a round damper should be placed in the ductwork to prevent air infiltration.
10. Lift the hood into position simultaneously feeding the electrical wire through the knockout.
11. Tighten four mounting screws to secure hood to cabinet. Be sure the screw heads are in the narrow neck of the keyhole slot.
12. Complete electrical wiring in the junction box according to the National Electrical Code and applicable local codes.
13. Replace junction box cover.
14. Seal holes around ventilating pipe and wiring passing through ceiling or outside wall with caulking or insulation to prevent heat loss.

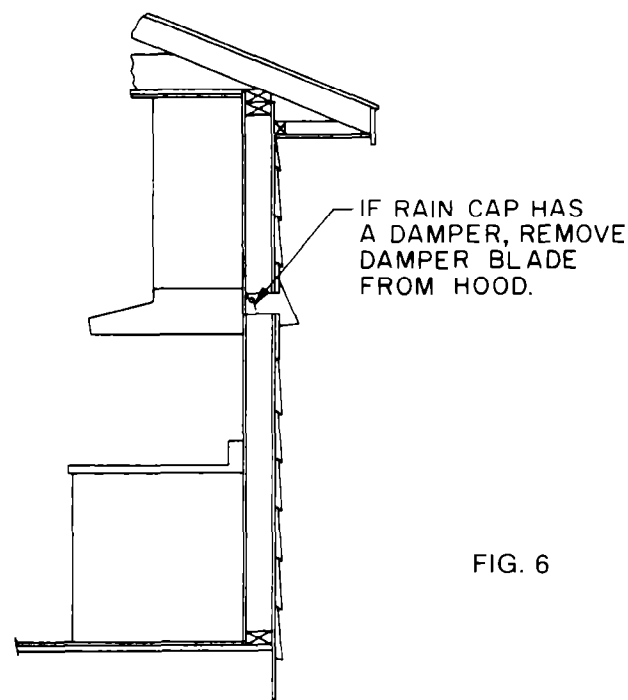
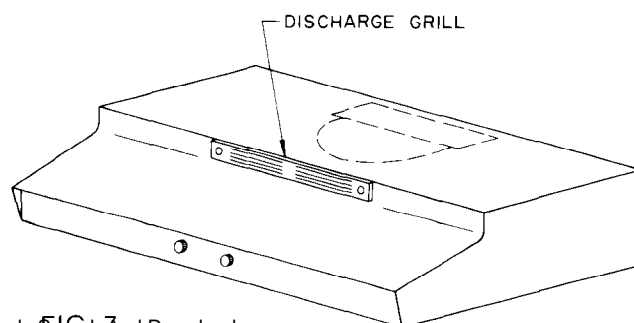


FIG. 6

HORIZONTAL VENTING

FOR VENTLESS INSTALLATION

1. To convert your range hood to ventless, remove the discharge grill shown in Figure 7 by pulling with fingers. Remove the metal back seal from behind the louver.
2. Replace discharge grill and secure with plastic rivets by pushing with thumb.
3. Follow instructions under "Vented Installations" for wiring and mounting. Omit ductwork preparations.
4. Install charcoal filter from ventless kit **behind aluminum filter.** (See Figure 8).



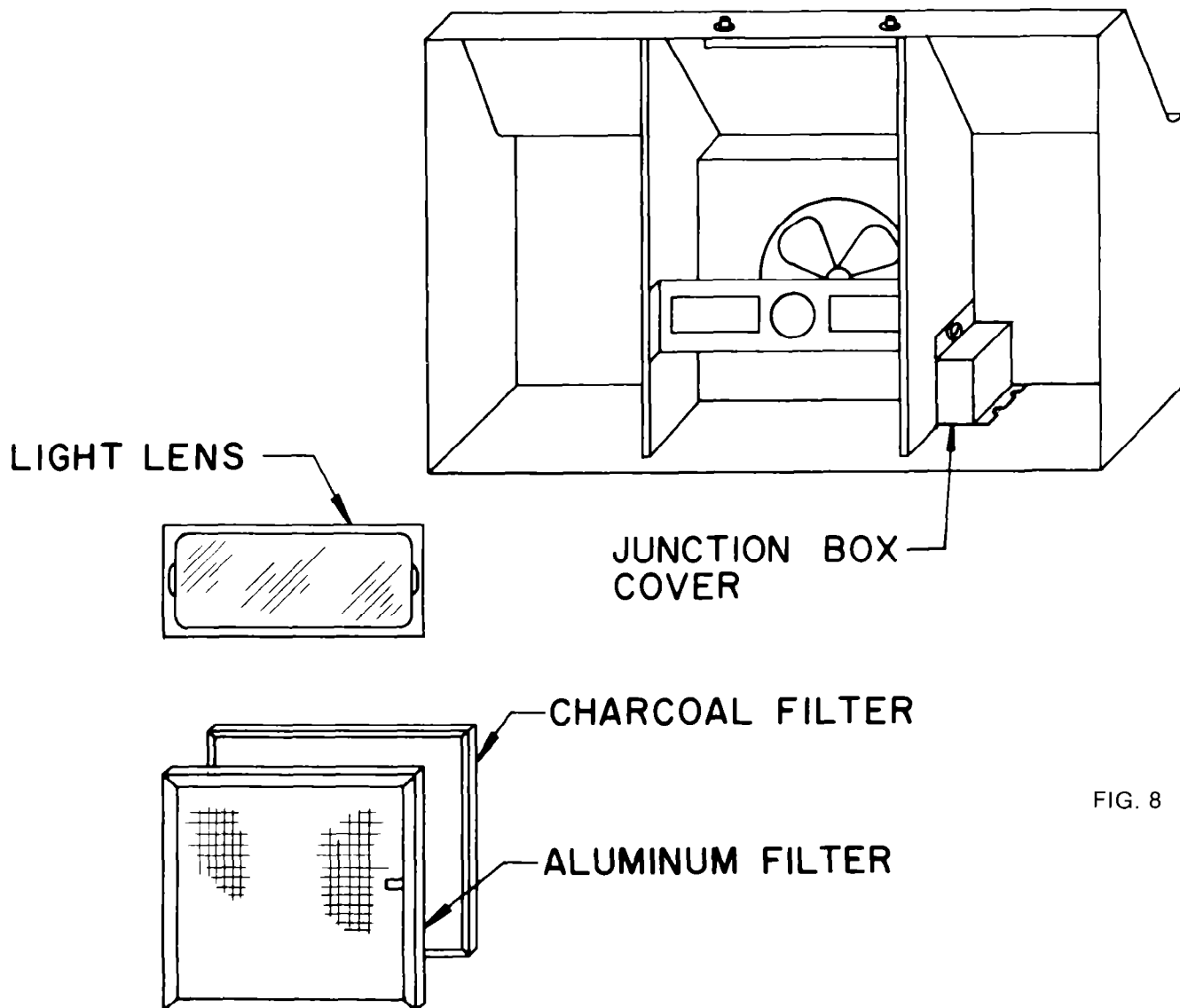


FIG. 8

IMPORTANT SAFEGUARDS FOR ELECTRICAL APPLIANCES

When using electrical appliances, basic safety precautions should always be followed including the following:

1. Read and follow all instructions.
2. Close supervision is necessary when any appliance is used by or near children.
3. To avoid providing fuel for a grease pan fire clean lint and grease from all hood surfaces - interior and exterior. Be sure to remove and clean air filter every three months.
4. Do not saturate electrical connections, switches, and motor in water during cleaning. remember, WATER AND ELECTRICITY DO NOT MIX!
5. If any electrical malfunction becomes evident during use, disconnect power to hood at your home fuse or breaker box.

OPERATION AND CARE OF UNIT

CARE OF FILTERS:

ALUMINUM FILTER: For greater efficiency, the permanent type aluminum filter should be removed and cleaned periodically.

To clean, the filter should be soaked in hot water and detergent, and thoroughly rinsed. The aluminum filter can be cleaned in a dishwasher.

CHARCOAL FILTER: This filter should be inspected periodically and when it becomes saturated, should be replaced. There are no effective means of reactivating charcoal filters.

LIGHTS:

Do not use bulb larger than 75 watts in light socket.

CARE OF FAN MOTOR:

Fan motor has life time sealed bearings that never need oiling under normal usage. A few drops on each bearing after three years of heavy usage will prolong the motor life. Clean motor with a damp cloth and grease cutting detergent when a heavy coating of grease has accumulated.

CARE OF EXTERIOR SURFACES:

Your range hood is a beautifully finished addition to your kitchen and requires only the care you give your range to preserve its lasting beauty. Clean with a mild detergent to preserve finish. DO NOT use abrasive cleaners.

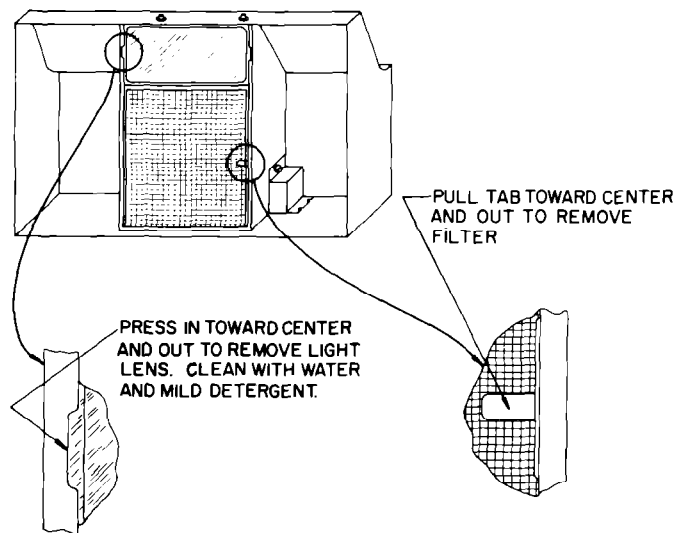


FIG. 9

Whirlpool franchised TECH-CARE® service

If your WHIRLPOOL appliance ever needs service anywhere in the United States, help is just a phone call away. . . to your nearest TECH-CARE service representative.

Whirlpool maintains a nationwide network of franchised TECH-CARE service companies to fulfill your warranty and provide after-warranty service and maintenance to keep your WHIRLPOOL appliance in peak condition.

You'll find your nearest TECH-CARE service company listed in your local telephone book Yellow Pages under Washers/Dryers—Repairing or Servicing. Should you not find a listing, dial free, the Whirlpool COOL-LINE® service assistance telephone number (800)253-1301. When calling from:

Michigan Dial (800) 632-2243
Alaska & Hawaii Dial (800) 253-1121

If you move. . .

Call the TECH-CARE service representative in your local area. He'll see to the installation of WHIRLPOOL appliances in your new home, promptly, expertly and fairly priced to you.

Helpful hints. . .

You can help your TECH-CARE service representative give you faster service if you include the model and serial number of your appliance when requesting service. Also, retain your sales slip and warranty to verify your warranty status.

Remember. . .

Your TECH-CARE service representative is specially trained in the expert repairing and servicing of your WHIRLPOOL appliances. He can help you maintain the quality originally built into your WHIRLPOOL appliance. So why not take the time, now, to look up his telephone number and jot it down in the space provided below.

My TECH-CARE service representative's telephone number is:

Range hood model number:

Range hood serial number:

Purchase and/or installation date:



Benton Harbor, Michigan. Automatic Washers, Clothes Dryers, Freezers, Refrigerator-Freezers, Ice Makers, Dishwashers, Built-in Ovens and Surface Units, Ranges, Microwave Ovens, Food Waste Disposers, Compactors, Room Air Conditioners, Dehumidifiers, Central Heating and Air Conditioning Systems.

Free Manuals Download Website

<http://myh66.com>

<http://usermanuals.us>

<http://www.somanuals.com>

<http://www.4manuals.cc>

<http://www.manual-lib.com>

<http://www.404manual.com>

<http://www.luxmanual.com>

<http://aubethermostatmanual.com>

Golf course search by state

<http://golfingnear.com>

Email search by domain

<http://emailbydomain.com>

Auto manuals search

<http://auto.somanuals.com>

TV manuals search

<http://tv.somanuals.com>