

INSTALLATION and OPERATING INSTRUCTIONS

for



Whirlpool VENTLESS RANGE HOOD

RHH 7630

TO INSTALL RANGE HOOD

For an easier installation, remove the filters and the three assemblies shown in Fig. 3. This reduces the weight about 40%. The blower cover and light frame assembly are held into place by spring latches. To remove simply grasp and pull as indicated in Figure 3. To remove the blower assembly, first unplug the blower power supply cord from the junction box. Then pull the blower retaining rod to one side, freeing it from between the bumps on the blower housing.

1. Remove screw holding junction box cover.
2. Remove proper electrical knockout. See Figure 1.
3. Lift the hood into position. Mark location of four mounting holes.
4. Remove hood and start all four screws in center of narrow neck of keyhole slot marked on cabinet bottom (Fig. 2).
5. Lift into position on four screws simultaneously feeding electrical wire through knockout.
6. Complete electrical wiring in junction box according to the National Electrical Code and applicable Local Codes. NOTE: This Unit must be permanently grounded.
7. Tighten screws to secure hood. Be sure screw head is in narrow neck of keyhole slot.
8. Replace junction box cover.
9. Replace blower cover, light frame assembly and filters.
10. Replace blower.

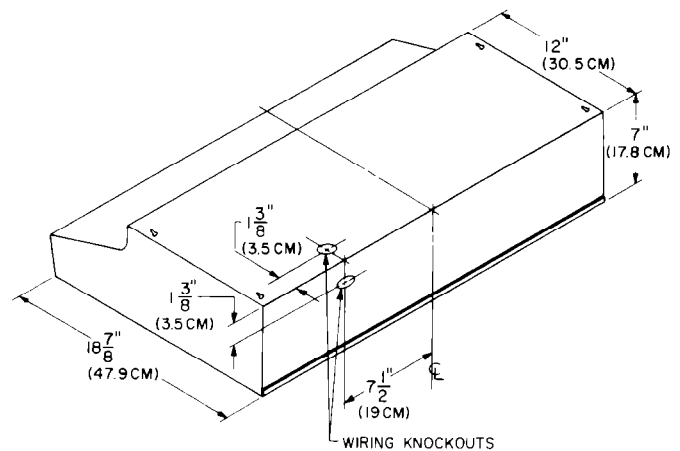


FIG. 1

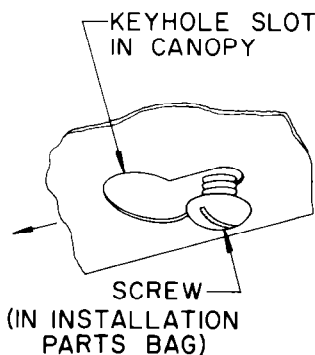


FIG. 2

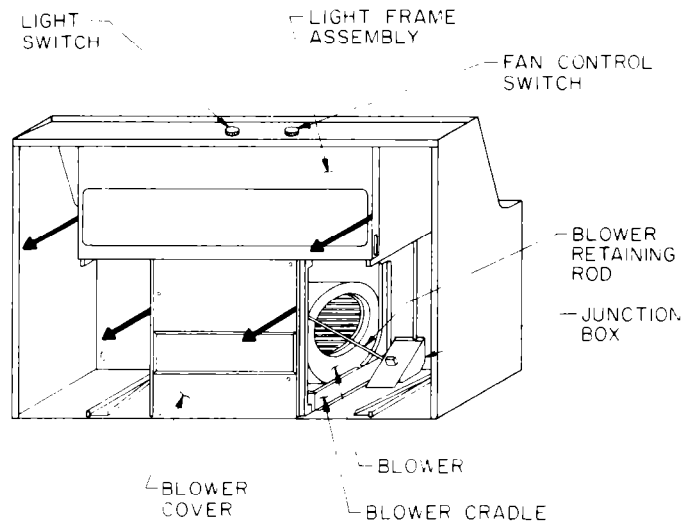


FIG. 3

11/92

OPERATION AND CARE OF UNIT

BLOWER CONTROL

This range hood has a solid state motor speed control. After setting the control to a desired speed, it will take approx. 15 seconds for the blower to respond to that setting.

CARE OF BLOWER

Under normal operating conditions, this blower requires no oiling for the first year. After the first year oil every 6 months with SAE 20 oil.

LIGHTING

Select two light bulbs up to 100 watts each to achieve desired lighting level.

CARE OF FILTERS

A. ALUMINUM FILTER: For greatest efficiency, the permanent type aluminum filter should be removed and cleaned periodically. (Reverse of paragraph B.) To clean, the filter should be soaked in hot water and detergent. Aluminum filter can be cleaned in a dishwasher.

B. CHARCOAL FILTER: This filter should be inspected periodically and when it becomes saturated, should be replaced. There are no effective means of reactivating charcoal filters.

CARE OF EXTERIOR SURFACES

Your range hood is a beautifully finished addition to your kitchen. To preserve its lasting beauty, clean with a mild detergent. **DO NOT** use abrasive cleaners.

Replacement filters and repair parts may be obtained from Whirlpool Corporation Parts Distribution Center, La Porte, Indiana 46350. For most effective removal of smoke & odors; turn on fan at beginning of cooking operation & allow to run until smoke & odors are removed from room.

Whirlpool franchised TECH-CARE® service

If your WHIRLPOOL appliance ever needs service anywhere in the United States, help is just a phone call away. . . to your nearest TECH-CARE service representative.

Whirlpool maintains a nationwide network of franchised TECH-CARE service companies to fulfill your warranty and provide after-warranty service and maintenance to keep your WHIRLPOOL appliance in peak condition.

You'll find your nearest TECH-CARE service company listed in your local telephone book Yellow Pages under Washers/Dryers—Repairing or Servicing. Should you not find a listing, dial free, the Whirlpool COOL-LINE® service assistance telephone number (800)253-1301. When calling from:

Michigan Dial (800) 632-2243
Alaska & Hawaii Dial (800) 253-1121

If you move. . .

Call the TECH-CARE service representative in your local area. He'll see to the installation of WHIRLPOOL appliances in your new home, promptly, expertly and fairly priced to you.

Helpful hints. . .

You can help your TECH-CARE service representative give you faster service if you include the model and serial number of your appliance when requesting service. Also, retain your sales slip and warranty to verify your warranty status.

Remember. . .

Your TECH-CARE service representative is specially trained in the expert repairing and servicing of your WHIRLPOOL appliances. He can help you maintain the quality originally built into your WHIRLPOOL appliance. So why not take the time, now, to look up his telephone number and jot it down in the space provided below.

My TECH-CARE service representative's telephone number is:

Range hood model number:

Range hood serial number:

Purchase and/or installation date:



Benton Harbor, Michigan. Automatic Washers, Clothes Dryers, Freezers, Refrigerator-Freezers, Ice Makers, Dishwashers, Built-in Ovens and Surface Units, Ranges, Microwave Ovens, Food Waste Disposers, Compactors, Room Air Conditioners, Dehumidifiers, Central Heating and Air Conditioning Systems.

A625-828
5-29-79

Part No.
830725

Free Manuals Download Website

<http://myh66.com>

<http://usermanuals.us>

<http://www.somanuals.com>

<http://www.4manuals.cc>

<http://www.manual-lib.com>

<http://www.404manual.com>

<http://www.luxmanual.com>

<http://aubethermostatmanual.com>

Golf course search by state

<http://golfingnear.com>

Email search by domain

<http://emailbydomain.com>

Auto manuals search

<http://auto.somanuals.com>

TV manuals search

<http://tv.somanuals.com>