

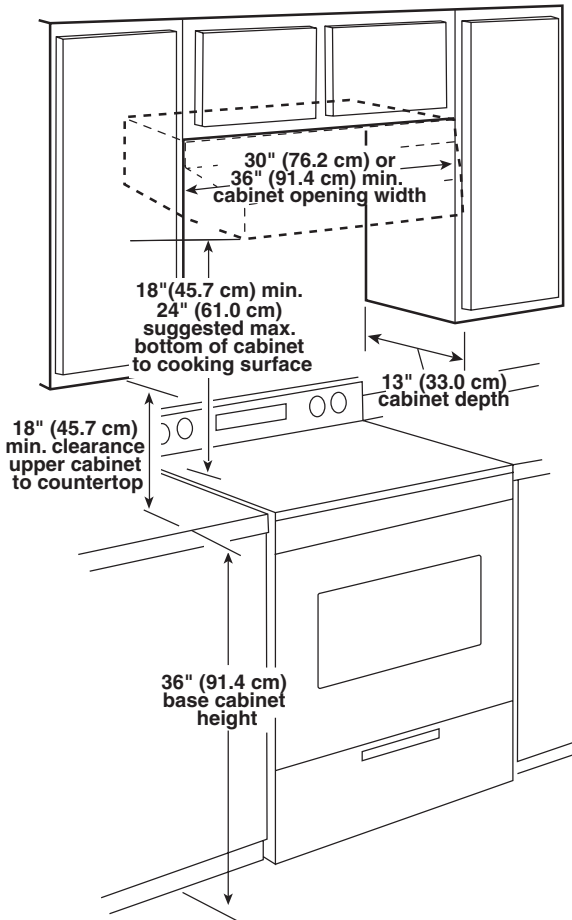
# Range Hood - 30" (76.2 cm) and 36" (91.4 cm)

## PRODUCT MODEL NUMBERS

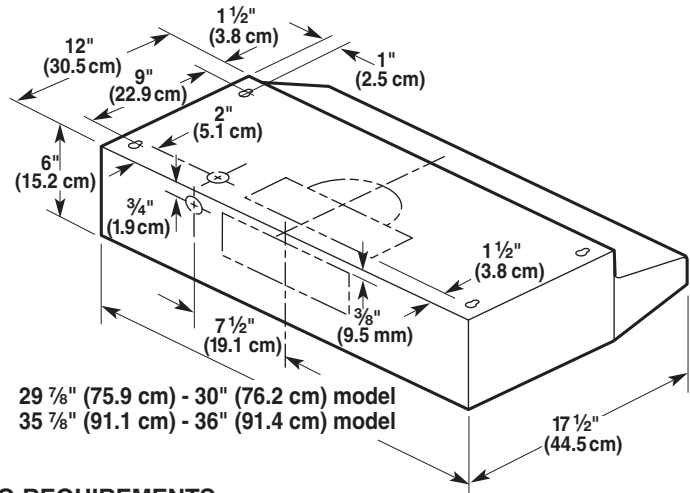
UXT4830AA  
UXT4836AA

**Electrical:** A 120 Volt, 60 Hz., AC only, 15-amp, fused electrical circuit is required.

## CABINET OPENING DIMENSIONS

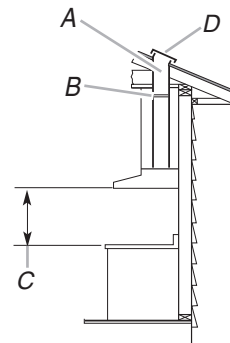


## OVERALL DIMENSIONS



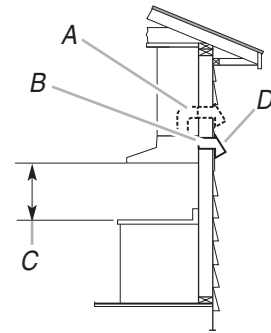
## VENTING REQUIREMENTS

### Roof Venting



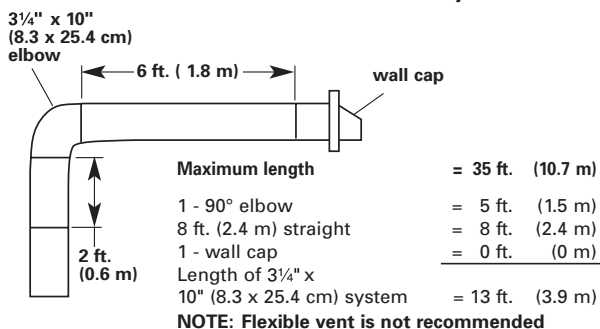
- A. 7" (17.8 cm) round vent or a 3 1/4" x 10" (8.3 x 25.4 cm) vent through roof
- B. 3 1/4" x 10" (8.3 x 25.4 cm) round damper (purchased separately)
- C. 18" (45.7 cm) - 24" (61.0 cm) above cooking surface
- D. Roof cap

### Wall Venting

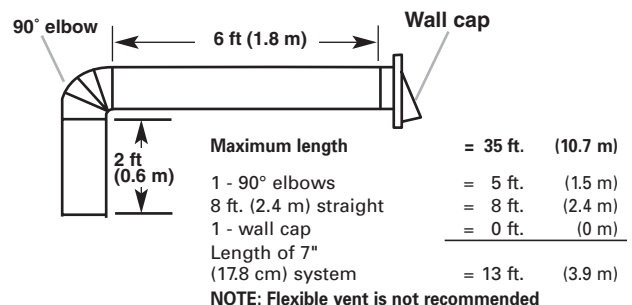


- A. 7" (17.8 cm) round vent or a 3 1/4" x 10" (8.3 x 25.4 cm) vent through the wall
- B. 3 1/4" x 10" (8.3 x 25.4 cm) through the wall
- C. 18" (45.7 cm) - 24" (61.0 cm) above cooking surface
- D. Wall cap

### 3 1/4" x 10" (8.3 x 25.4 cm) vent system



### 7" (17.8 cm) vent system



### 3 1/4" x 10" (8.3 x 25.4 cm) vent system

3 1/4" x 10" (8.3 x 25.4 cm) 90° elbow = 5 ft. (1.5 m)	3 1/4" x 10" (8.3 x 25.4 cm) flat elbow = 12 ft. (3.7 m)	3 1/4" x 10" (8.3 x 25.4 cm) wall cap = 0 ft. (0 m)

### 7" (17.8 cm) vent system

90° elbow = 5 ft. (1.5 m)	45° elbow = 2.5 ft. (0.8 m)	7" (17.8 cm) wall cap = 0 ft. (0 m)	3 1/4" x 10" (8.3 x 25.4 cm) to 7" (17.8 cm) = 4.5 ft. (1.4 m)	3 1/4" x 10" (8.3 x 25.4 cm) 90° elbow = 5 ft. (1.5 m)

## Free Manuals Download Website

<http://myh66.com>

<http://usermanuals.us>

<http://www.somanuals.com>

<http://www.4manuals.cc>

<http://www.manual-lib.com>

<http://www.404manual.com>

<http://www.luxmanual.com>

<http://aubethermostatmanual.com>

Golf course search by state

<http://golfingnear.com>

Email search by domain

<http://emailbydomain.com>

Auto manuals search

<http://auto.somanuals.com>

TV manuals search

<http://tv.somanuals.com>