

---

# ISLAND CANOPY RANGE HOOD

## Installation Instructions and Use and Care Guide

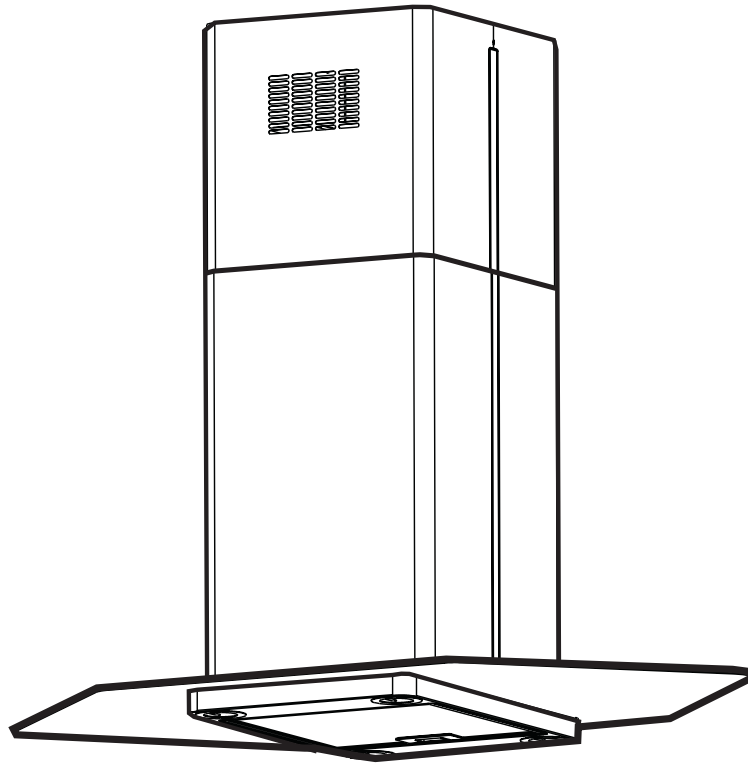
---

# HOTTE D'ASPIRATION POUR CUISINE CONFIGURÉE EN ÎLOT

## Instructions d'installation et Guide d'utilisation et d'entretien

---

Table of Contents/Table des matières.....2



**IMPORTANT: READ AND SAVE THESE INSTRUCTIONS.  
FOR RESIDENTIAL USE ONLY.**

**IMPORTANT : LIRE ET CONSERVER CES INSTRUCTIONS.  
POUR UTILISATION RÉSIDENIELLE UNIQUEMENT.**

**IMPORTANT:**

**Installer:** Leave installation instructions with the homeowner.

**Homeowner:** Keep installation instructions for future reference.  
Save installation instructions for local inspector's use.

**IMPORTANT :**

**Installateur :** Remettre les instructions d'installation au propriétaire.

**Propriétaire :** Conserver les instructions d'installation pour consultation ultérieure.  
Conserver les instructions d'installation pour consultation par l'inspecteur local.

## TABLE OF CONTENTS

RANGE HOOD SAFETY .....	2
INSTALLATION REQUIREMENTS .....	4
Tools and Parts .....	4
Location Requirements .....	4
Venting Requirements .....	5
Electrical Requirements .....	6
INSTALLATION INSTRUCTIONS .....	6
Hood Height Calculations .....	6
Prepare Location .....	7
Hood Frame Assembly .....	7
Install Range Hood .....	8
Install Vent (for vented installations only) .....	8
Make Electrical Connection .....	8
Complete Installation .....	9
RANGE HOOD USE .....	11
Operation .....	11
RANGE HOOD CARE .....	12
Cleaning .....	12
Accessories .....	13
REQUESTING ASSISTANCE OR SERVICE .....	13
RANGE HOOD WARRANTY .....	14
WIRING DIAGRAM .....	15

## TABLE DES MATIÈRES

SÉCURITÉ DE LA HOTTE DE CUISINIÈRE .....	16
EXIGENCES D'INSTALLATION .....	18
Outillage et pièces .....	18
Exigences d'emplacement .....	18
Exigences concernant l'évacuation .....	19
Spécifications électriques .....	20
INSTRUCTIONS D'INSTALLATION .....	21
Calcul de la hauteur sous hotte .....	21
Préparation de l'emplacement .....	21
Assemblage de l'armature de la hotte .....	22
Installation de la hotte .....	22
Installation du conduit d'évacuation .....	22
Raccordement électrique .....	23
Achever l'installation .....	23
UTILISATION DE LA HOTTE DE CUISINIÈRE .....	26
Fonctionnement .....	26
ENTRETIEN DE LA HOTTE DE CUISINIÈRE .....	26
Nettoyage .....	26
Accessoires .....	27
DEMANDE D'ASSISTANCE OU DE SERVICE .....	28
GARANTIE DE LA HOTTE DE CUISINIÈRE .....	29
SCHÉMA DE CÂBLAGE .....	30

## RANGE HOOD SAFETY

### Your safety and the safety of others are very important.

We have provided many important safety messages in this manual and on your appliance. Always read and obey all safety messages.



This is the safety alert symbol.

This symbol alerts you to potential hazards that can kill or hurt you and others.

All safety messages will follow the safety alert symbol and either the word "DANGER" or "WARNING."

These words mean:

**⚠ DANGER**

You can be killed or seriously injured if you don't immediately follow instructions.

**⚠ WARNING**

You can be killed or seriously injured if you don't follow instructions.

All safety messages will tell you what the potential hazard is, tell you how to reduce the chance of injury, and tell you what can happen if the instructions are not followed.

# IMPORTANT SAFETY INSTRUCTIONS

**WARNING:** TO REDUCE THE RISK OF FIRE, ELECTRIC SHOCK, OR INJURY TO PERSONS, OBSERVE THE FOLLOWING:

- Use this unit only in the manner intended by the manufacturer. If you have questions, contact the manufacturer.
- Before servicing or cleaning the unit, switch the power off at the service panel disconnecting means to prevent power from being switched on accidentally. When the service disconnecting means cannot be locked, securely fasten a prominent warning device, such as a tag, to the service panel.
- Installation work and electrical wiring must be done by qualified person(s) in accordance with all applicable codes & standards, including fire-rated construction.
- Sufficient air is needed for proper combustion and exhausting of gases through the flue (chimney) of fuel burning equipment to prevent backdrafting. Follow the heating equipment manufacturer's guideline and safety standards such as those published by the National Fire Protection Association (NFPA), the American Society for Heating, Refrigeration and Air Conditioning Engineers (ASHRAE), and the local code authorities.
- When cutting or drilling into wall or ceiling; do not damage electrical wiring and other utilities.
- Ducted systems must always be vented outdoors.

**CAUTION:** For general ventilating use only. Do not use to exhaust hazardous or explosive materials and vapors.

**CAUTION:** To reduce risk of fire and to properly exhaust air, be sure to duct air outside - do not vent exhaust air into spaces within walls ceilings, attics, crawl spaces, or garages.

**WARNING:** TO REDUCE THE RISK OF FIRE, USE ONLY METAL DUCTWORK.

**WARNING:** TO REDUCE THE RISK OF A RANGE TOP GREASE FIRE:

- Never leave the surface units unattended at high settings. Boilovers cause smoking and greasy spillovers that may ignite. Heat oils slowly on low or medium settings.
- Always turn hood ON when cooking at high heat or when flameing food (i.e. Crepes Suzette, Cherries Jubilee, Peppercorn Beef Flambé).
- Clean ventilating fans frequently. Grease should not be allowed to accumulate on fan or filter.
- Use proper pan size. Always use cookware appropriate for the size of the surface element.

**WARNING:** TO REDUCE THE RISK OF INJURY TO PERSONS IN THE EVENT OF A RANGE TOP GREASE FIRE, OBSERVE THE FOLLOWING:<sup>a</sup>

- SMOTHER FLAMES with a close fitting lid, cookie sheet, or other metal tray, then turn off the gas burner or electric element. BE CAREFUL TO PREVENT BURNS. If the flames do not go out immediately, EVACUATE AND CALL THE FIRE DEPARTMENT.
- NEVER PICK UP A FLAMING PAN - you may be burned.
- DO NOT USE WATER, including wet dishcloths or towels - a violent steam explosion will result.
- Use an extinguisher ONLY if:
  - You know you have a class ABC extinguisher, and you already know how to operate it.
  - The fire is small and contained in the area where it started.
  - The fire department is being called.
  - You can fight the fire with your back to an exit.

<sup>a</sup>Based on "Kitchen Fire Safety Tips" published by NFPA.

- **WARNING:** To reduce the risk of fire or electrical shock, do not use this fan with any solid-state speed control device.

## SAVE THESE INSTRUCTIONS

# INSTALLATION REQUIREMENTS

## Tools and Parts

Gather the required tools and parts before starting installation. Read and follow the safety instructions provided with any tools listed here.

### Tools needed:

- level
- drill with 1/4" (3.2 cm), 3/8" (9.5 mm), 7/64" (2.75 mm) and 1/8" (3 mm) drill bits
- pencil
- wire stripper or utility knife
- measuring tape or ruler
- pliers
- caulking gun and weatherproof caulking compound
- duct tape
- jig saw or keyhole saw
- flat blade screwdriver
- metal snips
- Phillips screwdriver

### Parts needed:

- 1 x 1/2" conduit
- 1 roof cap
- metal vent system
- charcoal filter – for non-vented (recirculating) installations only

### Parts supplied:

Remove parts from packages. Check that all parts were included.

- hood canopy assembly with ventilator, light bulbs and transition with back draft dampers installed
- deflector for non-vented (recirculating) installations
- Installation Instructions and Use & Care Guide
- filter – installed in hood canopy
- screws and drywall anchors
- mounting template
- 4 vent covers with 4 trim pieces

## Location Requirements

**IMPORTANT:** Observe all governing codes and ordinances.

Canopy hood location should be away from strong draft areas, such as windows, doors and strong heating vents.

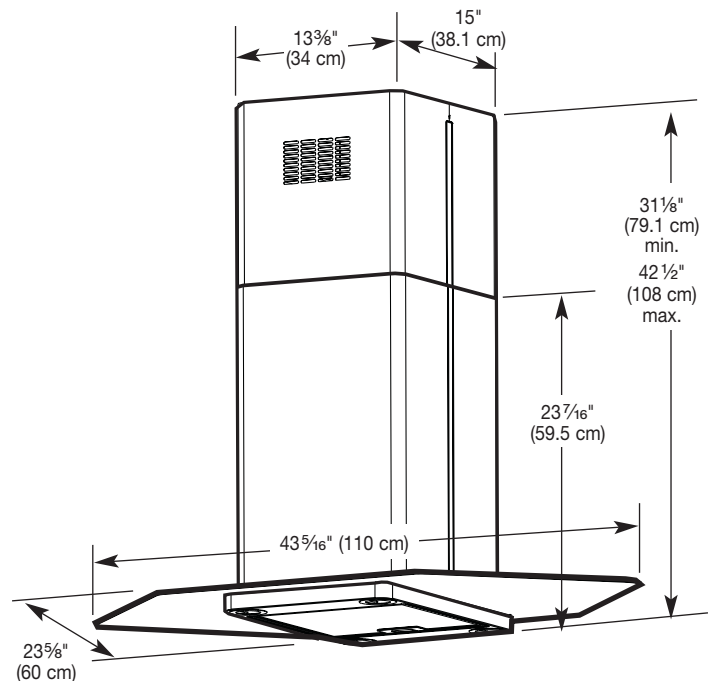
Grounded electrical outlet is required. See "Electrical Requirements" section.

The hood must be fastened to solid wood.

The island hood is factory set for venting through the roof or wall. For non-vented (recirculating) installations see "Non-vented (recirculating) installations" in "Hood Frame Assembly" section.

All openings in ceiling where canopy hood will be installed must be sealed.

## Product Dimensions



## Venting Requirements

Vent system must terminate to the outside.

Do not terminate the vent system in an attic or other enclosed area.

Do not use 4" (10.2 cm) laundry-type wall caps.

Use metal vent only. Rigid metal vent is recommended. Do not use plastic or metal foil vent.

### For the most efficient and quiet operation:

- Use a straight run or as few elbows as possible.
- Use no more than three 90° elbows.
- Make sure there is a minimum of 24" (61 cm) of straight vent between the elbows if more than one elbow is used.
- Do not install two elbows together.
- Use duct tape to seal all joints in the vent system.
- Use caulking to seal exterior wall or roof opening around the cap.

### Cold weather installations

An additional backdraft damper should be installed to minimize backward cold air flow and a nonmetallic thermal break to minimize conduction of outside temperatures as part of the vent system. The damper should be on the cold air side of the thermal break.

The break should be as close as possible to where the vent system enters the heated portion of the house.

### Make-up air

Local building codes may require the use of make-up air systems when using ventilation systems greater than specified CFM of air movement. The specified CFM varies from locale to locale. Consult your HVAC professional for specific requirements in your area.

## Venting Methods

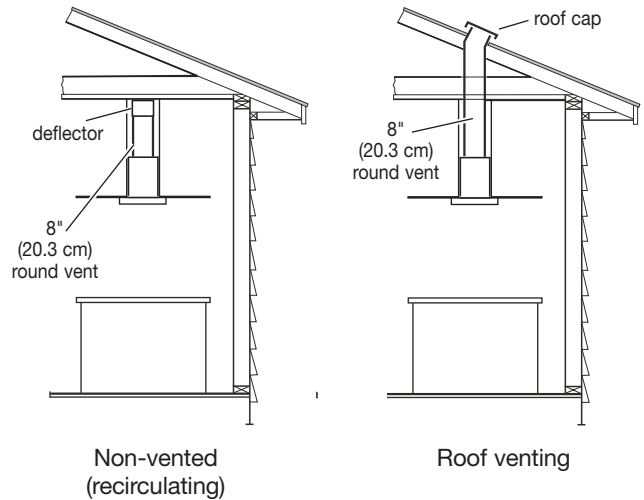
This canopy hood is factory set for venting through the roof.

An 8" (20.3 cm) round vent system is needed for installation (not included). The hood exhaust opening is 8" (20.3 cm) round.

Vent system can terminate either through the roof or wall. To vent through a wall, a 90° elbow is needed.



### For non-vented (recirculating) installations

Should it not be possible to vent cooking fumes and vapors to the outside, the hood can be used in the non-vented (recirculating) version, fitting an activated carbon filter and the deflector, fumes and vapors are recycled through the top grille.

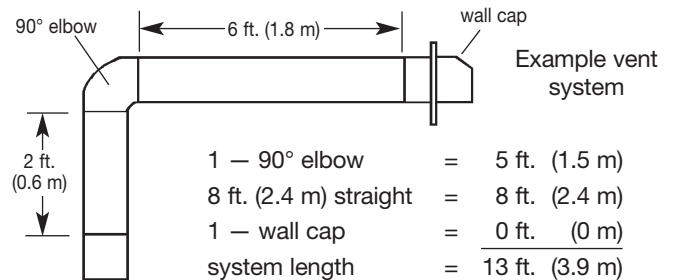


## Calculating Vent System Length

To calculate the length of the system you need, add the equivalent feet (meters) for each vent piece used in the system.

Vent piece	8" (20.3 cm) round
45° elbow	2.5 feet (0.8 m) 
90° elbow	5.0 feet (1.5 m) 

Maximum equivalent vent length is 50 feet (15.2 meters).



## Electrical Requirements

### ⚠ WARNING



#### Electrical Shock Hazard

**Disconnect power before servicing.**

**Replace all parts and panels before operating.**

**Failure to do so can result in death or electrical shock.**

**IMPORTANT:** The hood must be electrically grounded in accordance with local codes and ordinances, or in the absence of local codes, with the National Electrical Code, ANSI/NFPA 70, latest edition, or Canadian Electrical Code, CSA C22.1.

If codes permit and a separate ground wire is used, it is recommended that a qualified electrical installer determine that the ground path is adequate.

A copy of the above code standards can be obtained from:

National Fire Protection Association  
One Batterymarch Park, Quincy, MA 02269

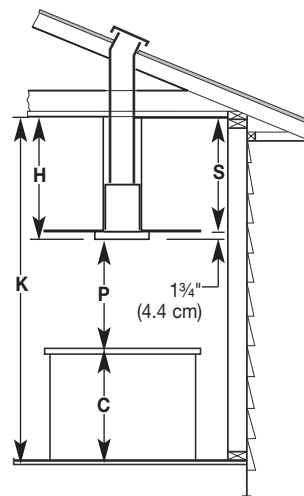
CSA International  
8501 East Pleasant Valley Road  
Cleveland, Ohio 44131-5575

- A 120-volt, 60-Hz, AC-only, 15-amp, fused electrical circuit is required. A time-delay fuse or circuit breaker is also recommended. It is recommended that a separate circuit serving only this hood be provided.
- Do not ground to a gas pipe.
- Check with a qualified electrician if you are not sure range hood is properly grounded.
- Do not have a fuse in the neutral or ground circuit.
- The range hood must be connected with copper wire only.
- The range hood should be connected directly to the fused disconnect (or circuit breaker) box through flexible armored cable or flexible metallic conduit.
- Wire sizes must conform to the requirements of the National Electrical Code, ANSI/NFPA 70, latest edition, or CSA Standards C22.1-94, Canadian Electrical Code, Part 1 and C22.2 No. 0-M91, latest edition, and all local codes and ordinances.

## INSTALLATION INSTRUCTIONS

Because of the size and weight of this island hood, the chimney support must be securely attached to the ceiling.

- For plaster or drywall ceilings, the chimney support must be attached to joists. If this is not possible, you must build a support structure behind the plaster or drywall. The support structure must be able to support 80 lbs (36.3 kg).
- Do not cut a joist or stud unless absolutely necessary. If a joist or stud must be cut, then a supporting frame must be constructed.
- Before making cutouts, make sure there is proper clearance within the ceiling or wall for exhaust vent.
- We recommend the hood be installed 30"–36" (76.2 cm – 91.4 cm) above the countertop.
- Check your ceiling height and the hood height maximum before you select your hood.



- K** = ceiling height
- C** = countertop height
- P** = preferred hood height – 30"–36" (76.2 cm – 91.4 cm) is recommended
- H** =  $K - C - P$   
ceiling to bottom of hood
- S** =  $H - 1\frac{3}{4}"$  (4.4 cm)  
chimney assembly height

### Hood Height Calculations

1. Select a hood preference height (P) that is comfortable for the user. 30"–36" (76.2 cm – 91.4 cm) is recommended.
2. Calculate the hood height for your installation ( $H = K - C - P$ ).
3. Confirm that the dimension (H) is within the minimum to maximum dimensions. See "Product Dimensions" in the "Location Requirements" section.
4. Calculate the chimney structure height ( $S = H - 1\frac{3}{4}"$  [4.4 cm]).

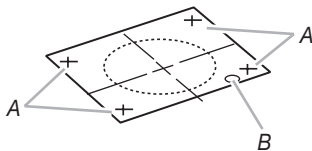
## Prepare Location

### **⚠ WARNING**

#### **Excessive Weight Hazard**

**Use two or more people to move and install range.**  
**Failure to do so can result in back or other injury.**

1. If possible, disconnect and move freestanding or slide-in range from cabinet opening to provide easier access to ceiling. Otherwise put a thick, protective covering over countertop, cooktop or range to protect from damage or dirt. Select a flat surface for assembling the unit. Cover that surface with a protective covering and place all canopy hood parts and hardware on it.
2. Mark centerlines of the cooktop or range on ceiling above.
3. Position the template on the ceiling using the centerlines.



A. Mounting hole locations  
B. Electrical hole location

4. Mark the location of the hood front (see arrow printed on template), electrical hole and mounting holes on the ceiling.  
**NOTE:** Make sure there is support framing at the mounting hole locations above the ceiling to support the hood.
5. For vented installations only, install an 8" exhaust vent. Use dimension "S" from "Hood Height Calculations" section and subtract 16 7/8" (42.9 cm). This is how far the vent needs to extend below the ceiling.  
**NOTE:** This step is not used for non-vented (recirculating) installations.
6. Drill a 1 1/4" (3.2 cm) hole for the 1/2" conduit at the location marked on the ceiling from the template.
7. Run the 1/2" conduit through the hole. Run wire through the 1/2" conduit according to the National Electrical Code or CSA Standards and local codes and ordinances. There must be enough 1/2" conduit and wires from the fused disconnect (or circuit breaker) box to make the connection in the hood's electrical terminal box.
8. Use caulk to seal all openings.  
**NOTE:** Do not turn on power until installation is complete.
9. Drill four 7/64" (2.75 mm) pilot holes at locations marked on the ceiling for mounting hood to ceiling.  
**NOTE:** There are two additional holes in the chimney structure mounting surface which may be used for additional support if desired. After mounting the chimney structure, drill pilot holes in the empty holes.
10. Install four lag screws. Leave the screw heads 1/2" (1.3 cm) from the ceiling.

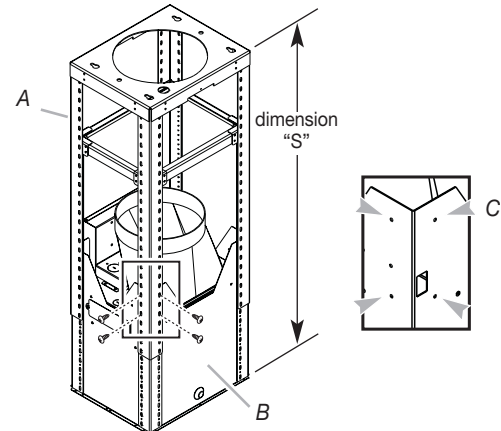
## Hood Frame Assembly

### **⚠ WARNING**

#### **Excessive Weight Hazard**

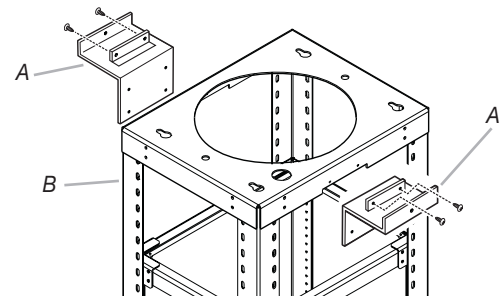
**Use two or more people to move and install range hood.**  
**Failure to do so can result in back or other injury.**

1. Slide the frame assembly down over the motor housing.
2. Lift the frame assembly to dimension "S" from "Hood Height Calculations" section.



A. Frame assembly  
B. Motor housing  
C. Motor housing screw hole locations

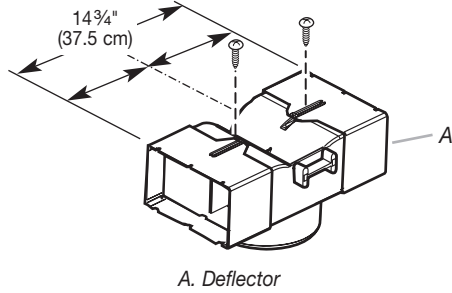
3. Using 16 screws provided, insert screws through brackets and assemble brackets to motor housing.
4. Attach each cover support bracket to the chimney structure with two screws.



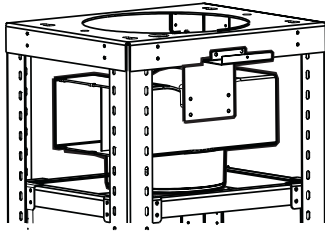
A. Cover support bracket  
B. Chimney structure

## Non-Vented (Recirculating) Installation

1. Assemble the 3 parts of the deflector with 2 screws provided. When assembled the deflector should be 14 $\frac{3}{4}$ " (37.5 cm) wide.



2. Attach the deflector to the bracket with 4 screws.



3. Measure length of 8" (20.3 cm) vent needed to connect the transition to the deflector.

**NOTE:** Vent should fit up inside deflector 1" (2.5 cm) minimum.

4. Install vent between the transition and the deflector.

**NOTE:** To make vent installation easier, temporarily remove the deflector from the cover support bracket and replace after vent section is in place.

5. Seal all connections with duct tape.

## Install Range Hood

1. Lift the chimney structure so that large end of keyhole slots are over mounting lag screws.
2. Move chimney structure so that the mounting lag screws are in the narrow end of the keyhole slots. Securely tighten lag screws.
3. Two additional screws are provided for additional support, if desired. Screw them in place.

## Install Vent

### Vented Installations Only

1. Fit vent system over transition piece.
2. Seal connection with duct tape.

## Make Electrical Connection

### ⚠ WARNING



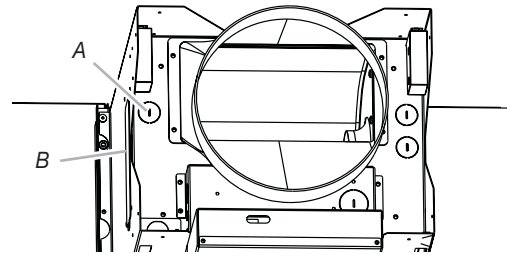
#### Electrical Shock Hazard

Disconnect power before servicing.

Replace all parts and panels before operating.

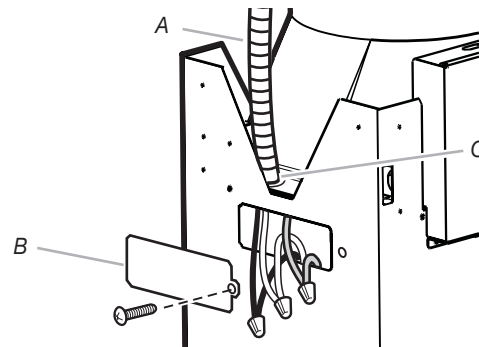
Failure to do so can result in death or electrical shock.

1. Disconnect power.
2. Remove terminal box cover.
3. Remove the knockout.



A. Knockout  
B. Terminal box cover

4. Install the UL- or CSA-listed conduit connector.



A. Conduit  
B. Terminal box cover  
C. Conduit connector

5. Run 3 wires, black, white and green (14 AWG) in 1/2" conduit from service panel to terminal box.
6. Use twist-on connectors and connect black wires together.
7. Use twist-on connectors and connect white wires together.



# ⚠ WARNING



## Electrical Shock Hazard

Electrically ground blower.

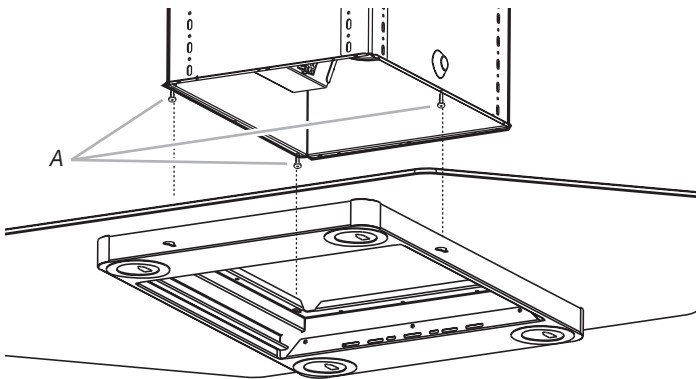
Connect ground wire to green and yellow ground wire in terminal box.

Failure to do so can result in death or electrical shock.

8. Use twist-on connectors and connect green or bare wire with yellow-green wire.
9. Replace terminal box cover.
10. Check all light bulbs to make sure they are secure in their sockets.
11. Reconnect power.

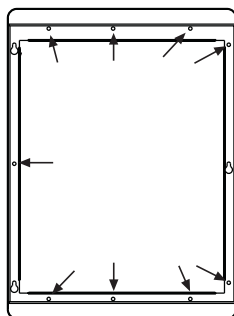
## Complete Installation

1. Insert 3 screws on the bottom of the chimney structure (in corresponding position to the keyhole slots on the hood canopy).



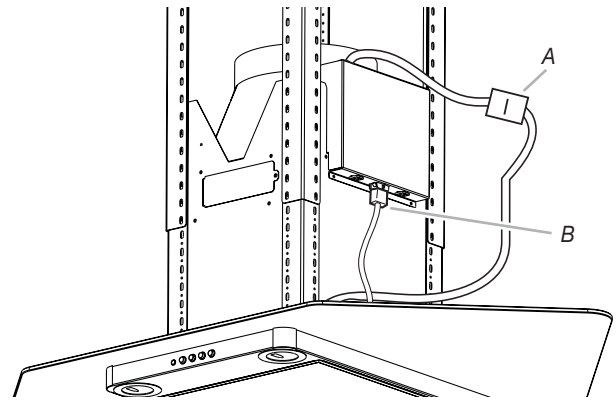
A. Three screws

2. Lift hood canopy so that the large end of the keyhole slots are over the 3 screws on the bottom of the chimney structure.
3. Push the hood canopy so that the 3 screws are in the narrow end of the keyhole slots. Securely tighten the screws.
4. Install the remaining 9 screws and securely tighten.



Front

5. Connect lamp and control panels cable connectors to the blower motor connectors.



A. Control panel connection  
B. Lamp connection

6. Check lights and blower operation. See "Use and Care Guide" section.

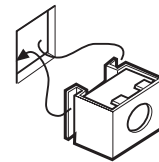
If hood does not operate:

- Check that the circuit breaker is not tripped or house fuse blown.
- Disconnect power. Check that wiring is correct.

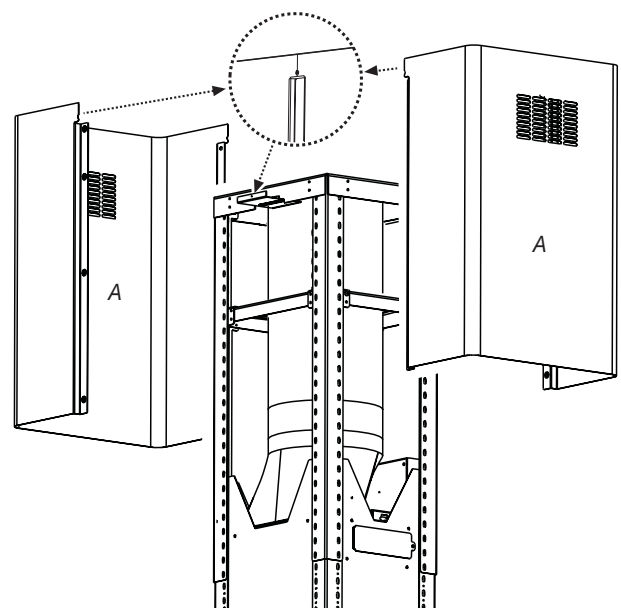
7. For non-vented (recirculating) installations, install the charcoal filter. See "Use and Care Guide" section.

## Install Vent Covers

1. Insert captive nuts on the inside of the vent covers at all 14 rectangular hole locations.

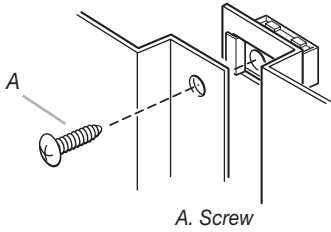


2. Place the upper vent covers around the chimney structure so that the vent slots on the front cover face the same direction as the control panel.

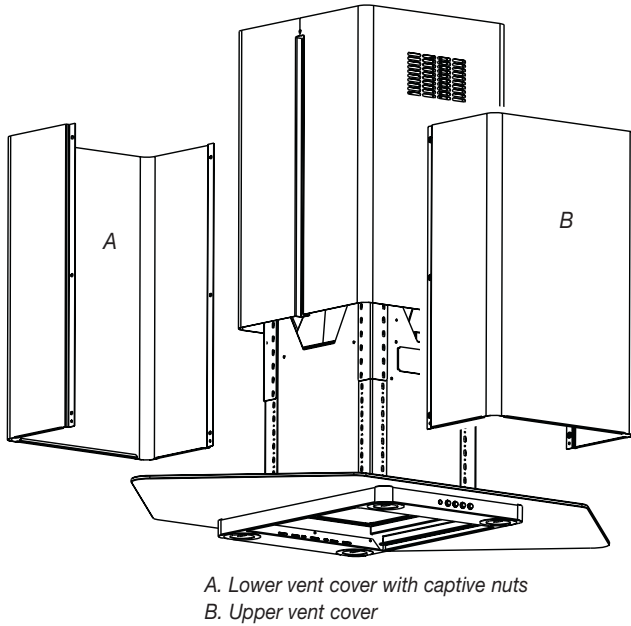


A. Upper vent covers

- Screw the upper covers together using 8 screws provided.

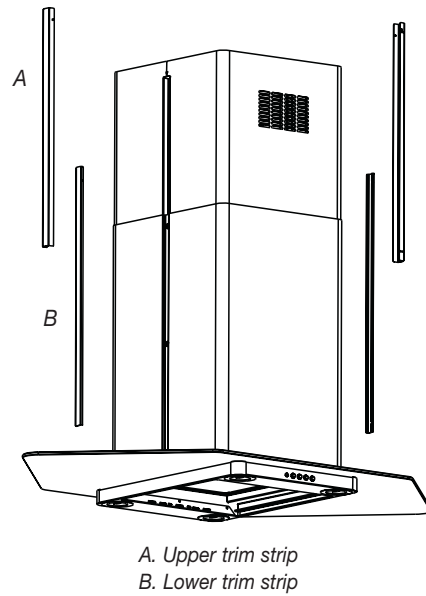


- Push the upper cover assembly up against ceiling.
- Attach the upper cover assembly to the vent cover support brackets with two screws (one on each side).
- Place the lower vent covers around the chimney structure so that the cover with the captive nuts is to the rear of the hood.



- Screw the lower covers together using 6 screws provided.
- Attach the lower cover assembly using 2 screws (one each side) at the bottom of the vent cover.

- Assemble the lower (narrow) trim strips to the lower vent cover assembly.



- Cut the upper (wide) trim strips to length to fit the upper vent cover assembly.
- Assemble the upper trim strips to the upper vent cover assembly.

# RANGE HOOD USE

## Operation

The canopy hood is designed to remove smoke, cooking vapors and odors from the cooktop area. For best results, start the hood before cooking and allow it to operate several minutes after the cooking is complete to clear all smoke and odors from the kitchen.

### Hood control panel

The hood controls are located on the underside of the canopy.



### Operating the light

1. Press the "B" button. The light should turn on.
2. Press the "B" button again. The light should turn off.

### Operating the blower and adjusting blower speed

1. Press the "C" button for low speed. "D" button for medium speed. "E" button for high speed.
2. Press the "C" button again. The blower should turn off.

# RANGE HOOD CARE

## Cleaning

Be sure lights are cool before cleaning the hood.

### Exterior surfaces

Clean the range hood with a mild detergent and soft cloth. Do not use abrasive cleanser or steel wool pads.

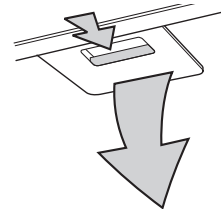
### Metal grease filters

The filters should be washed frequently. Place metal filters in dishwasher or hot detergent solution to clean.

Drain water through edge holes and let each filter dry thoroughly before replacing it.

To remove metal filters:

1. Turn blower and lights off.
2. Push handle toward the rear and pull downward.
3. Pull filter toward the front.



To replace the metal grease filters:

4. Insert back edge of filter into rear track of the filter opening.
5. Push handle toward the rear and push filter up.
6. Pull filter toward the front and insert into front track.

### Charcoal Filters - For non-vented (recirculating) installations

The charcoal filters capture unpleasant cooking odors. They can be cleaned and reactivated. With normal use the filter should be cleaned every second month (when using the hood 2½ hours per day, on average).

Clean the filter in the dishwasher using normal detergent and choosing the highest temperature setting. Wash the filter separately. To reactivate the filter, the filter should be dried in an oven for 10 minutes with a maximum temperature of 210°F (100°C).

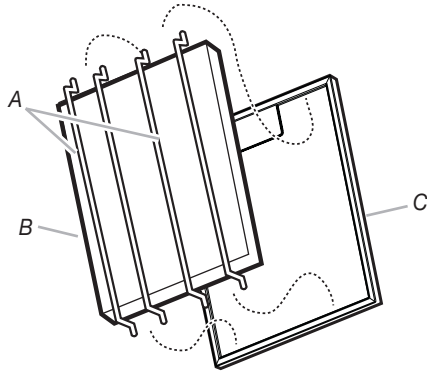
After approximately three years of use, the charcoal filter should be replaced.

### To install charcoal filters

1. Turn blower and lights off.
2. Remove the metal grease filters by pushing handle toward the rear and pull downward.
3. Pull filter toward front.
4. Set the filter face down on a protective cover such as a towel.

5. Install charcoal filter on rear of metal filter with metal wires provided in filter packaging.

To replace the metal grease filters:



A. Metal wires  
B. Charcoal filter  
C. Metal filter

6. Insert back edge of filter into rear track of the filter opening.
7. Push handle toward the rear and push filter up.
8. Pull filter toward the front and insert into front track.

### To replace charcoal filter

1. Turn blower and lights off.
2. Remove the metal grease filters by pushing handle toward the rear and pull downward.
3. Pull filter toward front.
4. Set the filter face down on a protective cover such as a towel.
5. Remove metal wires and clean or discard charcoal filter.
6. Install cleaned or replacement charcoal filter on rear of metal filter with metal wires provided in filter packaging.

To replace the metal grease filters:

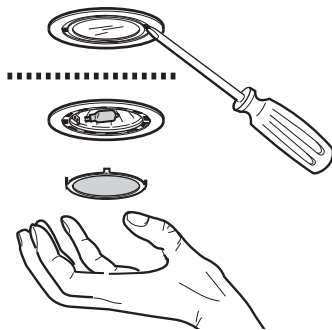
7. Insert back edge of filter into rear track of the filter opening.
8. Push handle toward the rear and push filter up.
9. Pull filter toward the front and insert into front track.

### Replacing a lamp

Disconnect the hood from electricity and be sure the lights are cool.

If new lights do not operate, make sure the lamps are inserted correctly before calling service.

1. Use a flat bladed screwdriver and gently pry the light cover loose.
2. Remove the lamp and replace with a 12-volt, 20W maximum, halogen lamp made for a G-4 base.



3. Replace the light cover.

---

# REQUESTING ASSISTANCE OR SERVICE

---

## If you need assistance or service in U.S.A.

---

**Call the Whirlpool Customer Interaction Center toll-free at 1-800-253-1301. Our consultants are available to assist you.**

When calling: Please know the purchase date, and the complete model and serial number of your appliance. This information will help us better respond to your request.

Our consultants provide assistance with:

- Features and specifications on our full line of appliances
- Installation information
- Use and maintenance procedures
- Accessory and repair parts sales
- Specialized customer assistance (Spanish speaking, hearing impaired, limited vision, etc.)
- Referrals to local dealers, service companies, and repair parts distributors

Whirlpool designated service technicians are trained to fulfill the product warranty and provide after-warranty service, anywhere in the United States.

To locate the designated service company in your area, you can also look in your telephone directory Yellow Pages.

### If you need replacement parts

If you need to order replacement parts, we recommend that you use only factory-authorized parts. These parts will fit right and work right, because they are made to the same exacting specifications used to build every new Whirlpool appliance.

To locate factory-authorized parts in your area, call our Customer Interaction Center telephone number, your nearest authorized service center, or 1-800-442-1111.

### For further assistance

If you need further assistance, you can write to Whirlpool with any questions or concerns at:

Customer Interaction Center  
c/o Correspondence Dept.  
2000 North M-63  
Benton Harbor, MI 49022-2692

Please include a daytime phone number in your correspondence.

## If you need assistance or service in Canada

---

For product related questions, please call the Whirlpool Canada Inc. Customer Interaction Center toll free: **1-800-461-5681**

Monday to Friday 8:00 a.m. – 6:00 p.m. (EST).

Saturday 8:30 a.m. – 4:30 p.m. (EST).

### Our consultants provide assistance with:

- Features and specifications on our full line of appliances
- Referrals to local dealers

### For parts, accessories and service in Canada

Call **1-800-807-6777**. Whirlpool Canada Inc. designated service technicians are trained to fulfill the product warranty and provide after-warranty service, anywhere in Canada.

### For further assistance

If you need further assistance, you can write to Whirlpool Canada Inc. with any questions or concerns at:

Customer Interaction Center  
Whirlpool Canada, Inc.  
1901 Minnesota Court  
Mississauga, Ontario L5N 3A7

Please include a daytime phone number in your correspondence.

---

# WHIRLPOOL CORPORATION MAJOR APPLIANCE WARRANTY

---

## ONE YEAR LIMITED WARRANTY

For one year from the date of purchase, when this major appliance is operated and maintained according to instructions attached to or furnished with the product, Whirlpool Corporation or Whirlpool Canada LP (hereafter "Whirlpool") will pay for FSP® replacement parts and repair labor to correct defects in materials or workmanship. Service must be provided by a Whirlpool designated service company.

---

### ITEMS WHIRLPOOL WILL NOT PAY FOR

1. Service calls to correct the installation of your major appliance, to instruct you how to use your major appliance, to replace or repair house fuses or to correct house wiring or plumbing.
  2. Service calls to repair or replace appliance light bulbs, air filters or water filters. Those consumable parts are excluded from warranty coverage.
  3. Repairs when your major appliance is used for other than normal, single-family household use.
  4. Damage resulting from accident, alteration, misuse, abuse, fire, flood, acts of God, improper installation, installation not in accordance with electrical or plumbing codes, or use of products not approved by Whirlpool.
  5. Any food loss due to refrigerator or freezer product failures.
  6. Replacement parts or repair labor costs for units operated outside the United States or Canada.
  7. Pickup and delivery. This major appliance is designed to be repaired in the home.
  8. Repairs to parts or systems resulting from unauthorized modifications made to the appliance.
  9. Expenses for travel and transportation for product service in remote locations.
  10. The removal and reinstallation of your appliance if it is installed in an inaccessible location or is not installed in accordance with published installation instructions.
- 

### DISCLAIMER OF IMPLIED WARRANTIES; LIMITATION OF REMEDIES

CUSTOMER'S SOLE AND EXCLUSIVE REMEDY UNDER THIS LIMITED WARRANTY SHALL BE PRODUCT REPAIR AS PROVIDED HEREIN. IMPLIED WARRANTIES, INCLUDING WARRANTIES OF MERCHANTABILITY OR FITNESS FOR A PARTICULAR PURPOSE, ARE LIMITED TO ONE YEAR OR THE SHORTEST PERIOD ALLOWED BY LAW. WHIRLPOOL SHALL NOT BE LIABLE FOR INCIDENTAL OR CONSEQUENTIAL DAMAGES. SOME STATES AND PROVINCES DO NOT ALLOW THE EXCLUSION OR LIMITATION OF INCIDENTAL OR CONSEQUENTIAL DAMAGES, OR LIMITATIONS ON THE DURATION OF IMPLIED WARRANTIES OF MERCHANTABILITY OR FITNESS, SO THESE EXCLUSIONS OR LIMITATIONS MAY NOT APPLY TO YOU. THIS WARRANTY GIVES YOU SPECIFIC LEGAL RIGHTS AND YOU MAY ALSO HAVE OTHER RIGHTS, WHICH VARY FROM STATE TO STATE OR PROVINCE TO PROVINCE.

---

Outside the 50 United States and Canada, this warranty does not apply. Contact your authorized Whirlpool dealer to determine if another warranty applies.

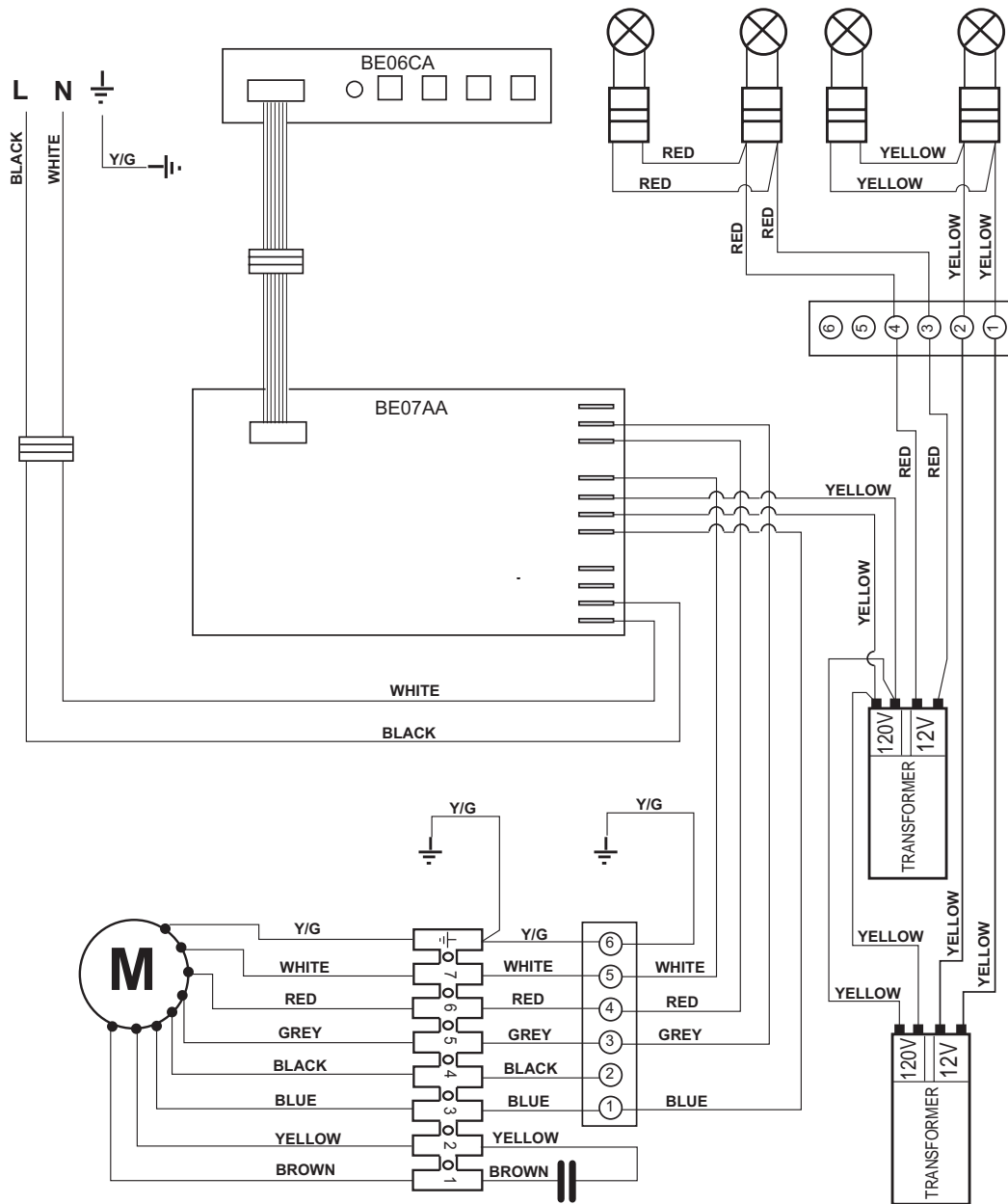
If you need service, first see the "Troubleshooting" section of the Use & Care Guide. After checking "Troubleshooting," additional help can be found by checking the "Assistance or Service" section or by calling Whirlpool. In the U.S.A., call **1-800-253-1301**. In Canada, call **1-800-807-6777**. 8/05

**Keep this book and your sales slip together for future reference. You must provide proof of purchase or installation date for in-warranty service.**

Write down the following information about your appliance to better help you obtain assistance or service if you ever need it. You will need to know your complete model number and serial number. You can find this information on the model and serial number label/plate, located on your appliance.

Dealer name \_\_\_\_\_  
Address \_\_\_\_\_  
Phone number \_\_\_\_\_  
Model number \_\_\_\_\_  
Serial number \_\_\_\_\_  
Purchase date \_\_\_\_\_

# WIRING DIAGRAM



# SÉCURITÉ DE LA HOTTE DE CUISINIÈRE

## Votre sécurité et celle des autres est très importante.

Nous donnons de nombreux messages de sécurité importants dans ce manuel et sur votre appareil ménager. Assurez-vous de toujours lire tous les messages de sécurité et de vous y conformer.



Voici le symbole d'alerte de sécurité.

Ce symbole d'alerte de sécurité vous signale les dangers potentiels de décès et de blessures graves à vous et à d'autres.

Tous les messages de sécurité suivront le symbole d'alerte de sécurité et le mot "DANGER" ou "AVERTISSEMENT". Ces mots signifient :

**⚠ DANGER**

**Risque possible de décès ou de blessure grave si vous ne suivez pas immédiatement les instructions.**

**⚠ AVERTISSEMENT**

**Risque possible de décès ou de blessure grave si vous ne suivez pas les instructions.**

Tous les messages de sécurité vous diront quel est le danger potentiel et vous disent comment réduire le risque de blessure et ce qui peut se produire en cas de non-respect des instructions.



# IMPORTANTES INSTRUCTIONS DE SÉCURITÉ

**AVERTISSEMENT** : POUR RÉDUIRE LE RISQUE D'INCENDIE, CHOC ÉLECTRIQUE OU DOMMAGES CORPORELS, RESPECTER LES INSTRUCTIONS SUIVANTES :

- Utiliser cet appareil uniquement dans les applications envisagées par le fabricant. Pour toute question, contacter le fabricant.
- Avant d'entreprendre un travail d'entretien ou de nettoyage, interrompre l'alimentation de la hotte au niveau du tableau de disjoncteurs, et verrouiller le tableau de disjoncteurs pour empêcher tout rétablissement accidentel de l'alimentation du circuit. Lorsqu'il n'est pas possible de verrouiller le tableau de disjoncteurs, placer sur le tableau de disjoncteurs une étiquette d'avertissement proéminente interdisant le rétablissement de l'alimentation.
- Tout travail d'installation ou câblage électrique doit être réalisé par une personne qualifiée, dans le respect des prescriptions de tous les codes et normes applicables, y compris les codes du bâtiment et de protection contre les incendies.
- Une source d'air de débit suffisant est nécessaire pour le fonctionnement correct de tout appareil à gaz (combustion et évacuation des gaz à combustion par la cheminée), pour qu'il n'y ait pas de reflux des gaz de combustion. Respecter les directives du fabricant de l'équipement de chauffage et les prescriptions des normes de sécurité - comme celles publiées par la National Fire Protection Association (NFPA) et l'American Society for Heating, Refrigeration and Air Conditioning Engineers (ASHRAE), et les prescriptions des autorités réglementaires locales.
- Lors d'opérations de découpage et de perçage dans un mur ou un plafond, veiller à ne pas endommager les câblages électriques ou canalisations qui peuvent s'y trouver.
- Les systèmes d'évacuation doivent toujours décharger l'air à l'extérieur.

**MISE EN GARDE** : Cet appareil est conçu uniquement pour la ventilation générale. Ne pas l'utiliser pour l'extraction de matières ou vapeurs dangereuses ou explosives.

**MISE EN GARDE** : Pour minimiser le risque d'incendie et évacuer adéquatement les gaz, veiller à acheminer l'air aspiré par un conduit jusqu'à l'extérieur - ne pas décharger l'air aspiré dans un espace vide du bâtiment comme une cavité murale, un plafond, un grenier, un vide sanitaire ou un garage.

**AVERTISSEMENT** : POUR RÉDUIRE LE RISQUE D'INCENDIE, UTILISER UNIQUEMENT DES CONDUITS MÉTALLIQUES.

**AVERTISSEMENT** : POUR MINIMISER LE RISQUE D'UN FEU DE GRAISSE SUR LA CUISINIÈRE :

- Ne jamais laisser un élément de surface fonctionner à puissance de chauffage maximale sans surveillance. Un renversement/débordement de matière grasseuse pourrait provoquer une inflammation et la génération de fumée. Utiliser une puissance de chauffage moyenne ou basse pour le chauffage d'huile.
- Veiller à toujours faire fonctionner le ventilateur de la hotte lors de la cuisson avec une puissance de chauffage élevée ou lors de la cuisson d'un mets à flamber (à savoir crêpes Suzette, cerise jubilé, steak au poivre flambé).
- Nettoyer fréquemment les ventilateurs d'extraction. Veiller à ne pas laisser la graisse s'accumuler sur les surfaces du ventilateur ou des filtres.
- Utiliser toujours un ustensile de taille appropriée. Utiliser toujours un ustensile adapté à la taille de l'élément chauffant.

**AVERTISSEMENT**: POUR RÉDUIRE LE RISQUE DE DOMMAGES CORPORELS APRÈS LE DÉCLENCHEMENT D'UN FEU DE GRAISSE SUR LA CUISINIÈRE, APPLIQUER LES RECOMMANDATIONS SUIVANTES :<sup>a</sup>

- Placer sur le récipient un couvercle bien ajusté, une tôle à biscuits ou un plateau métallique **POUR ÉTOUFFER LES FLAMMES**, puis éteindre le brûleur à gaz ou électrique. **VEILLER À ÉVITER LES BRÛLURES**. Si les flammes ne s'éteignent pas immédiatement, **ÉVACUER LA PIÈCE ET APPELER LES POMPIERS**.
- **NE JAMAIS PRENDRE EN MAIN UN RÉCIPENT ENFLAMMÉ** - vous risquez de vous brûler.
- **NE PAS UTILISER D'EAU**, ni un torchon humide - ceci pourrait provoquer une explosion de vapeur brûlante.
- Utiliser un extincteur **SEULEMENT** si :
  - Il s'agit d'un extincteur de classe ABC, dont on connaît le fonctionnement.
  - Il s'agit d'un petit feu encore limité à l'endroit où il s'est déclaré.
  - Les pompiers ont été contactés.
  - Il est possible de garder le dos orienté vers une sortie pendant l'opération de lutte contre le feu.

<sup>a</sup>Recommandations tirées des conseils de sécurité en cas d'incendie de cuisine publiés par la NFPA.

- **AVERTISSEMENT** : Pour réduire le risque d'incendie ou de choc électrique, ne pas utiliser ce ventilateur avec un quelconque dispositif de réglage de la vitesse à semi-conducteurs.

## CONSERVEZ CES INSTRUCTIONS

# EXIGENCES D'INSTALLATION

## Outillage et pièces

Rassembler les outils et pièces nécessaires avant de commencer l'installation. Lire et suivre les instructions fournies avec les outils indiqués ici.

### Outillage nécessaire :

- niveau
- perceuse avec forets de 1¼" (3,2 cm), ⅜" (9,5 mm), ⅞" (2,75 mm) et ⅛" (3 mm)
- crayon
- pince à dénuder ou couteau utilitaire
- mètre-ruban ou règle
- pince
- pistolet de calfeutrage et composé de calfeutrage résistant à l'eau
- ruban adhésif pour conduits
- scie sauteuse ou scie à guichet
- tournevis à lame plate
- cisaille de ferblantier
- tournevis Phillips

### Pièces nécessaires :

- conduit 1 x ½"
- 1 bouche de décharge (pour toit ou mur)
- circuit d'évacuation - conduit métallique
- filtre à charbon - pour installation sans décharge à l'extérieur (recyclage) seulement

### Pièces fournies :

Retirer les pièces de l'emballage; vérifier la présence de toutes les pièces.

- hotte d'extraction avec ventilateur, lampes et raccord de transition avec clapet anti-reflux installé
- déflecteur, pour installation sans décharge à l'extérieur (recyclage)
- Instructions d'installation et Guide d'utilisation et d'entretien
- filtre - installé dans la hotte
- vis et ancrages pour panneaux de gypse
- gabarit de montage
- 4 cache-conduits avec 4 éléments de garniture

## Exigences d'emplacement

**IMPORTANT :** Observer les dispositions de tous les codes et règlements en vigueur.

Installer la hotte d'extraction à distance de toute zone exposée à des courants d'air telle que fenêtres, portes et bouches de chauffage.

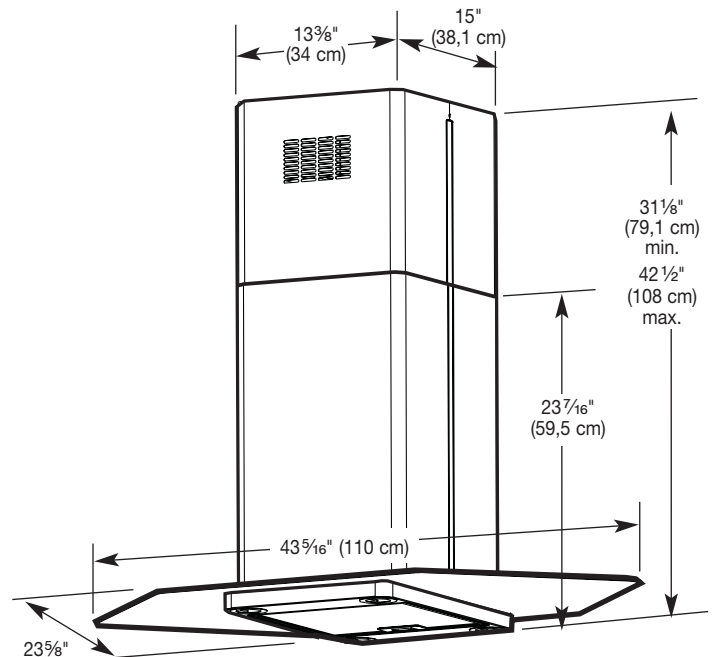
On doit disposer d'une prise de courant électrique reliée à la terre. Voir la section "Spécifications électriques".

La hotte doit être fixée sur du bois massif.

La hotte d'extraction a été configurée à l'usine pour la décharge à travers le toit ou le mur. Pour une installation sans décharge à l'extérieur (recyclage), voir "Installation sans décharge à l'extérieur (recyclage)", à la section "Préparation de l'emplacement de montage".

On devra assurer l'étanchéité de toutes les ouvertures (plafond et mur) découpées pour l'installation de la hotte.

## Dimensions du produit



## Exigences concernant l'évacuation

- Le circuit d'évacuation de l'air doit se terminer à l'extérieur.
- Ne pas terminer le circuit d'évacuation dans un espace fermé (grenier ou autre).
- Ne pas utiliser une bouche de décharge murale de 4" (10,2 cm), du type utilisé pour un appareil de buanderie.
- Utiliser uniquement du conduit métallique. On recommande l'emploi de conduit rigide. Ne pas utiliser de conduit de plastique ou de métal très mince.

### Pour obtenir un fonctionnement efficace et silencieux :

- Utiliser autant que possible des sections droites et minimiser le nombre de coudes.
- Ne pas utiliser plus de trois coudes à 90°.
- Veiller à ce qu'il y ait une section droite de conduit de 24" (61 cm) ou plus entre deux coudes, si on doit utiliser plus de un raccord coudé.
- Ne pas connecter ensemble deux raccords coudés.
- Assurer l'étanchéité de chaque jointure du circuit d'évacuation avec du ruban adhésif pour conduit.
- Utiliser un calfeutrant pour assurer l'étanchéité autour de la bouche de décharge à l'extérieur, entre le conduit et l'ouverture à travers le toit ou le mur.

### Installation dans une région à climat froid

Il convient d'installer un clapet anti-reflux additionnel pour minimiser les reflux d'air froid, et d'installer au sein du circuit d'évacuation un matériau non métallique (isolant thermique) pour minimiser la conduction de chaleur entre l'extérieur et l'intérieur de la maison. Par rapport à l'isolant thermique, le clapet anti-reflux devrait être situé du côté froid.

L'isolant thermique doit être placé aussi près que possible de l'endroit où le circuit d'évacuation pénètre dans la partie chauffée de la maison.

### Air d'appoint

Le code du bâtiment local peut exiger l'utilisation d'un système d'introduction d'air d'appoint dans le cas où la capacité d'extraction (pieds cubes d'air par minute) de la hotte est supérieure à une valeur spécifiée. La valeur spécifiée (débit d'air, en pieds cubes par minute) est variable d'une juridiction à une autre. Pour déterminer les exigences spécifiques, consulter un professionnel local des installations de chauffage et climatisation.

## Méthodes d'évacuation

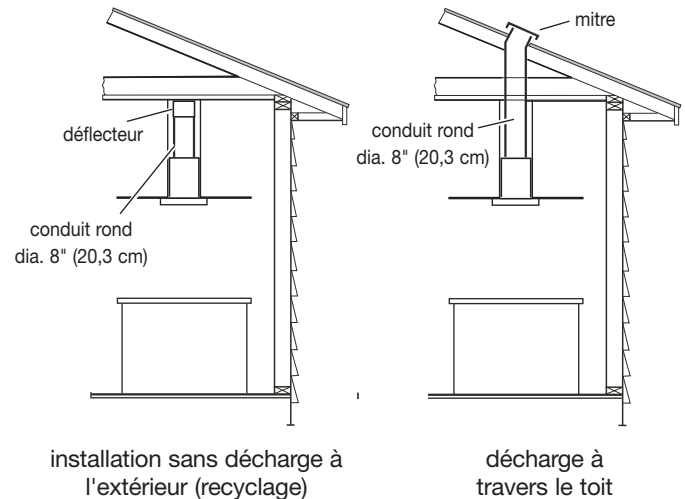
Cette hotte d'extraction a été configurée à l'usine pour la décharge à travers le toit.

Un conduit d'évacuation de diamètre 8" (20,3 cm) est nécessaire pour l'installation (non fourni). L'orifice de sortie de la hotte d'extraction est rond (diamètre 8" - 20,3 cm).

Le circuit d'évacuation peut se terminer à travers le toit ou à travers un mur. Pour la sortie à travers un mur, on doit employer un raccord coudé (90°).



## Installation sans décharge à l'extérieur (recyclage)

S'il n'est pas possible d'évacuer les vapeurs de cuisson à l'extérieur, on peut utiliser la version sans décharge à l'extérieur (recyclage) avec filtre à charbon actif et déflecteur. Les vapeurs de cuisson sont alors recyclées à travers la grille supérieure.

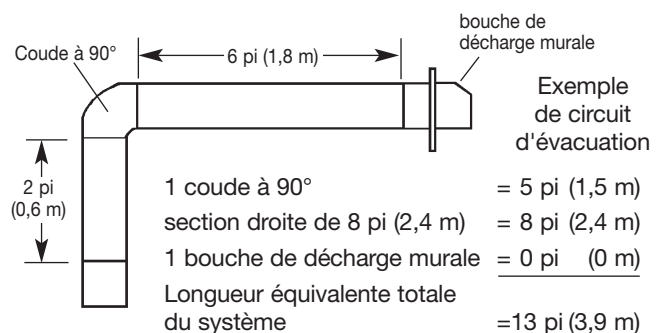


## Calcul de la longueur effective du circuit d'évacuation

Pour calculer la longueur effective du circuit d'évacuation nécessaire, ajouter les longueurs équivalentes (pieds/mètres) de tous les composants utilisés dans le système.

Composant du circuit	Conduit rond dia. 8" (20,3 cm)
Coude à 45°	2,5 pi (0,8 m) 
Coude à 90°	5,0 pi (1,5 m) 

La longueur équivalente du circuit ne doit pas dépasser 50 pieds (15,2 mètres).



## Spécifications électriques

### **⚠ AVERTISSEMENT**



#### **Risque de choc électrique**

**Déconnecter la source de courant électrique avant l'entretien.**

**Replacer pièces et panneaux avant de faire la remise en marche.**

**Le non-respect de ces instructions peut causer un décès ou un choc électrique.**

**IMPORTANT :** La hotte doit être correctement reliée à la terre en conformité avec les codes et règlements locaux en vigueur, ou en l'absence d'un tel code, conformément aux prescriptions de la plus récente édition du National Electrical Code, ANSI/NFPA 70, ou du Code canadien des installations électriques, CSA C22.1.

Si les codes en vigueur le permettent et si on utilise un conducteur distinct de liaison à la terre, il est recommandé qu'un électricien qualifié vérifie la qualité de la liaison à la terre.

Pour obtenir un exemplaire des codes mentionnés ci-dessus, contacter :

National Fire Protection Association  
One Batterymarch Park, Quincy, MA 02269

CSA International  
8501 East Pleasant Valley Road  
Cleveland, Ohio 44131-5575

- L'appareil doit être alimenté par un circuit de 120 V, 60 Hz, CA seulement, 15 ampères, protégé par fusible. On recommande également d'utiliser un fusible ou un disjoncteur temporisé. Il est recommandé d'alimenter la hotte par un circuit distinct qui n'alimente que cet appareil.
- Ne pas utiliser une tuyauterie de gaz pour le raccordement à la terre.
- En cas de doute quant à la qualité de la liaison à la terre de la hotte, consulter un électricien qualifié.
- Ne pas installer un fusible dans le conducteur neutre ou dans le conducteur de liaison à la terre.
- La hotte doit être raccordée au réseau électrique uniquement avec des conducteurs de cuivre.
- La hotte de cuisinière doit être reliée directement au tableau de distribution (coupe-circuit avec fusibles ou disjoncteurs) par un câble blindé flexible ou un conduit métallique flexible.
- La taille des conducteurs doit satisfaire aux prescriptions de la plus récente édition du National Electrical Code, ANSI/NFPA 70, ou du Code canadien des installations électriques, normes CSA C22.1-94 et C22.2 n° 0-M91, et aux prescriptions de tous les codes et règlements locaux en vigueur.

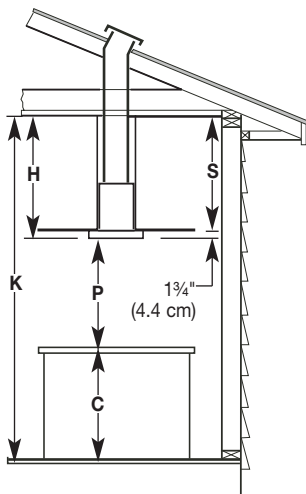
# INSTRUCTIONS D'INSTALLATION

Du fait du poids et de la taille de cette hotte d'extraction pour îlot, il faut que le support de cheminée soit solidement fixé au plafond.

- Pour un plafond en plâtre ou en panneaux de gypse, le support de cheminée doit être fixé aux solives; si ceci n'est pas possible, on doit construire une structure de support appropriée derrière le plafond en plâtre ou panneaux de gypse. Le support doit être capable de soutenir une charge de 80 lb (36,3 kg).
- On ne doit couper un poteau de colombage ou une solive que si c'est absolument nécessaire. S'il est nécessaire de couper un poteau ou une solive, on devra construire une structure de support appropriée.
- Avant d'exécuter les découpages, vérifier la disponibilité d'un espace de passage suffisant dans le plafond ou le mur pour le conduit d'évacuation.
- Nous recommandons que la hotte soit installée à 30" - 36" (76,2 cm - 94,1 cm) au-dessus du plan de travail.
- Avant de sélectionner la hotte à installer, mesurer la hauteur libre sous plafond et la hauteur maximum disponible sous la hotte.

## Calcul de la hauteur sous hotte

1. Sélectionner une hauteur sous hotte (P) qui permet l'utilisateur de travailler confortablement. On recommande une hauteur sous hotte de 30" - 36" (76,2 cm - 94,1 cm).
2. Calculer la hauteur de hotte à utiliser pour l'installation ( $H = K - C - P$ ).
3. Vérifier que la dimension (H) figure entre la valeur minimale et la valeur maximale. Voir "Dimensions du produit" à la section "Exigences d'emplacement".
4. Calculer la hauteur de la cheminée ( $S = H - 1\ 3/4"$  (4,4 cm).



- K = hauteur libre sous plafond
- C = hauteur du plan de travail
- P = hauteur sous hotte – on recommande une hauteur sous hotte de 30" à 36" (76,2 cm à 94,1 cm)
- H =  $K - C - P$  (distance entre le plafond et le bas de la hotte)
- S =  $H - 1\ 3/4"$  (4,4 cm) (hauteur de cheminée)

## Préparation de l'emplacement

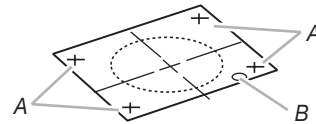
### ⚠ AVERTISSEMENT

#### Risque du poids excessif

Utiliser deux ou plus de personnes pour déplacer et installer la cuisinière.

Le non-respect de cette instruction peut causer une blessure au dos ou d'autre blessure.

1. Si c'est possible, débrancher et déplacer la cuisinière (cuisinière autonome ou encastrée); retirer la cuisinière de son espace d'installation entre les placards pour faciliter l'accès au plafond. Si ce n'est pas possible, placer un épais matériau de protection sur le plan de travail et la table de cuisson ou la cuisinière, pour la protection contre des dommages et contre les souillures. Sélectionner une surface plane pour l'assemblage de la hotte. Recouvrir cette surface avec un matériau de protection, et placer sur cette surface tout les composants et accessoires de la hotte.
2. Marquer les axes de la table de cuisson ou de la cuisinière sur le plafond, au dessus de la table de cuisson ou de la cuisinière
3. Positionner le gabarit sur le plafond - utiliser les axes tracés pour le repérage.



A. Emplacements pour trou de montage

B. Emplacement pour trou de passage du câble électrique

4. Marquer sur le plafond l'emplacement de l'avant de la hotte (voir la flèche imprimée sur le gabarit), le trou de passage du câble électrique et les trous de montage.  
**NOTE :** Vérifier la présence au-dessus du plafond de matériaux de support appropriés aux emplacements des trous de montage, capables de soutenir la hotte.
5. Seulement pour une installation avec décharge à l'extérieur, installer un conduit de décharge de 8". Utiliser la dimension "S" (voir "Calcul de la hauteur de la hotte") et soustraire 16 7/8" (48,3 cm); ceci correspond à la distance que doit couvrir le conduit d'évacuation sous le plafond.  
**NOTE :** Cette étape n'est pas exécutée pour une installation sans décharge à l'extérieur (recyclage).
6. À l'emplacement marqué sur le plafond à l'aide du gabarit, percer un trou de 1 1/4" (3,2 cm) pour le passage du câble d'alimentation électrique.
7. Faire passer le câblage approprié à travers le trou de 1 1/4" – respecter les prescriptions du Code national de l'électricité ou de la norme CSA en vigueur, ou des codes et règlements locaux en vigueur. Il faut que la longueur des conducteurs de 1/2" et des câbles soit suffisante pour qu'il soit possible de réaliser la liaison entre le tableau de distribution et la hotte, et les connexions dans la boîte de connexion de la hotte.
8. Utiliser un calfeutrant pour assurer l'étanchéité au niveau de chaque ouverture.  
**NOTE :** Ne pas mettre le système sous tension avant d'avoir complètement terminé l'installation.

- Percer quatre avant-trous de  $\frac{7}{64}$ " (2,75 cm) aux emplacements marqués sur le plafond, pour la fixation de la hotte au plafond.

**NOTE :** Il y a deux trous additionnels sur la surface de montage de la cheminée qu'on peut utiliser pour un support additionnel si nécessaire. Après le montage de la structure de la cheminée, percer des avant-trous à travers les trous vides.

- Installer quatre vis d'ancrage. Laisser la tête de chaque vis d'ancrage à  $\frac{1}{2}$ " (1,3 cm) du plafond.

## Assemblage de l'armature de la hotte

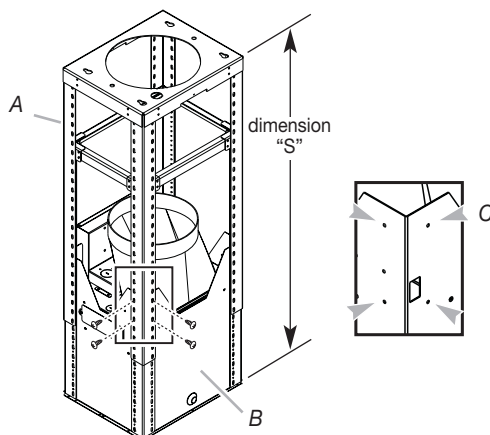
### **AVERTISSEMENT**

#### Risque du poids excessif

Utiliser deux ou plus de personnes pour déplacer et installer la hotte de la cuisinière.

Le non-respect de cette instruction peut causer une blessure au dos ou d'autre blessure.

- Faire glisser l'armature vers le bas sur le carter du moteur.
- Soulever l'armature à la position correspondant à la dimension "S" d'après la section "Calcul de la hauteur sous hotte".

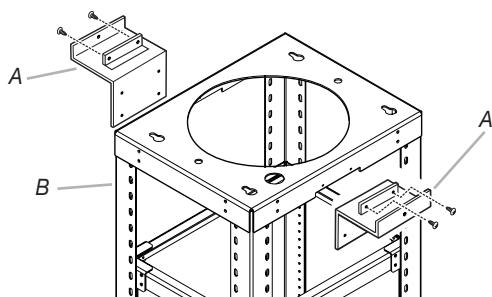


A. Armature

B. Carter du moteur

C. Position des trous de vis sur le carter de moteur

- Utiliser 16 vis fournies - insérer les vis à travers les tringles de l'armature sur le carter du moteur.
- Utiliser une vis pour fixer chaque bride de support du cache-conduit sur l'armature de la cheminée.

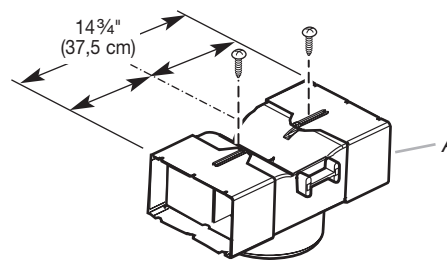


A. Bride de support du cache-conduit

B. Armature de la cheminée

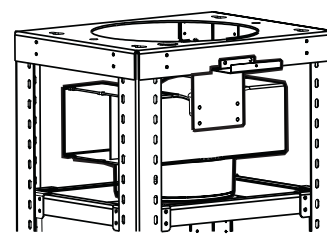
## Installation sans décharge à l'extérieur (recyclage)

- Utiliser 2 vis fournies pour assembler les 3 parties du déflecteur. La largeur du déflecteur assemblé doit être de  $14\frac{3}{4}$ " (37,5 cm).



A. Déflecteur

- Utiliser 4 vis pour fixer le déflecteur sur la bride.



- Mesurer la longueur de conduit de 8" (20,3 cm) nécessaire pour le raccordement entre le raccord de transition et le déflecteur.

**NOTE :** Le conduit devrait être inséré d'au moins 1" (2,5 cm) à l'intérieur du déflecteur.

- Installer le conduit d'évacuation entre le raccord de transition et le déflecteur.

**NOTE :** Pour faciliter l'installation du circuit d'évacuation, enlever temporairement le déflecteur de la bride de support; on le réinstallera après la mise en place de la section de conduit.

- Assurer l'étanchéité de chaque connexion avec du ruban adhésif pour conduits.

## Installation de la hotte

- Soulever l'armature de la cheminée pour placer l'extrémité large des trous d'accrochage au niveau des vis d'ancrage placées précédemment.
- Faire glisser l'armature de la cheminée de telle manière que les vis d'ancrage soient engagées dans la partie étroite des trous d'accrochage. Serrer parfaitement les vis d'ancrage.
- Deux vis supplémentaires sont fournies pour un support additionnel, si désiré; installer ces vis.

## Installation du conduit d'évacuation

### Installation avec décharge à l'extérieur seulement

- Connecter le circuit d'évacuation sur le raccord de transition.
- Assurer l'étanchéité avec du ruban adhésif pour conduits.

## ⚠ AVERTISSEMENT



### Risque de choc électrique

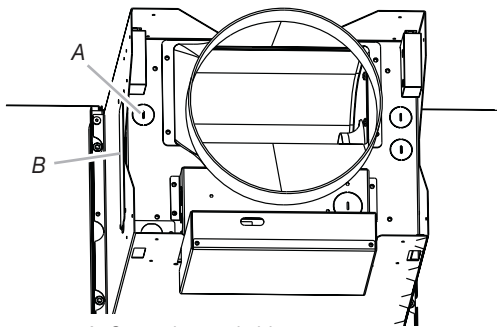
Déconnecter la source de courant électrique avant l'entretien.

Replacer pièces et panneaux avant de faire la remise en marche.

Le non-respect de ces instructions peut causer un décès ou un choc électrique.

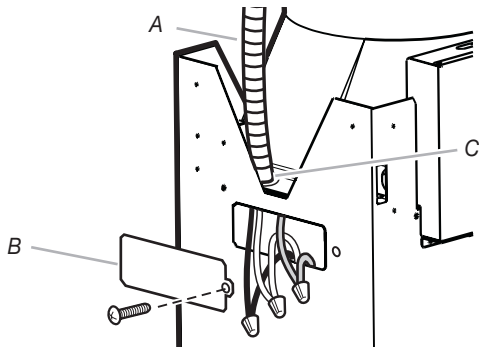
## Raccordement électrique

1. Déconnecter la source de courant électrique.
2. Ôter le couvercle de la boîte de connexion.
3. Enlever l'opercule arrachable.



A. Opercule arrachable  
B. Couvercle de la boîte de connexion

4. Installer un connecteur de conduit (homologation UL ou CSA).



A. Conduit  
B. Couvercle de la boîte de connexion  
C. Connecteur de conduit

5. Placer trois conducteurs (noir, blanc et vert - calibre 14 AWG) dans le conduit de 1/2" entre le tableau de distribution et la boîte de connexion.
6. Connecter les conducteurs noirs ensemble - utiliser un connecteur de fils à vis.
7. Connecter les conducteurs blancs ensemble - utiliser un connecteur de fils à vis.

## ⚠ AVERTISSEMENT



### Risque de choc électrique

Relier le ventilateur à la terre.

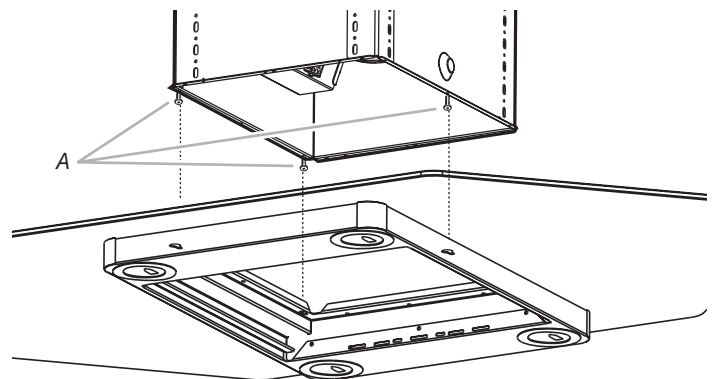
Brancher le fil relié à la terre au fil vert et jaune relié à la terre dans la boîte de la borne.

Le non-respect de ces instructions peut causer un décès ou un choc électrique.

8. Connecter ensemble le conducteur vert ou nu de liaison à la terre et le conducteur jaune-vert - utiliser un connecteur de fils à vis.
9. Réinstaller le couvercle sur la boîte de connexion.
10. Contrôler chaque lampe - vérifier que chaque lampe est bien fixée dans sa douille.
11. Reconnecter la source de courant électrique.

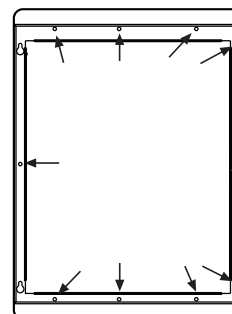
## Achever l'installation

1. Placer 3 vis en bas de la structure de la cheminée (aux emplacements correspondant aux trous de passage des vis de fixation de la hotte).



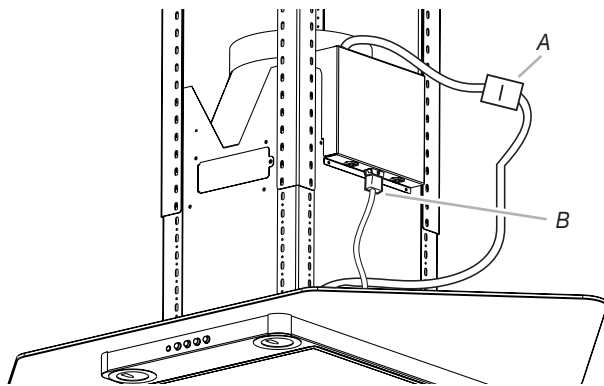
A. Trois vis

2. Soulever la hotte pour placer la partie large des trous d'accrochage au niveau des 3 vis en bas de l'armature de la cheminée.
3. Pousser la hotte pour engager la partie étroite des trous d'accrochage sur les 3 vis. Bien serrer les vis.
4. Placer et bien serrer les 9 autres vis.



Avant

- Brancher les connecteurs du câblage (pour lampe, câble du tableau de commande, et moteur de ventilateur).

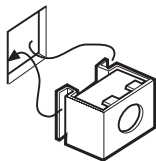


A. Connexion pour tableau de commande  
B. Connexion pour lampe

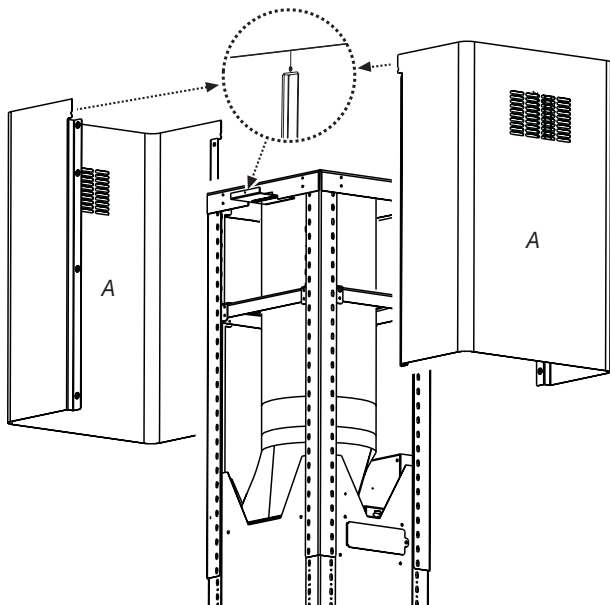
- Contrôler le fonctionnement des lampes et du ventilateur. Voir la section "Guide d'utilisation et entretien".  
Si la hotte ne fonctionne pas :
  - Déterminer si le circuit est correctement alimenté (disjoncteur ouvert ou fusible grillé?).
  - Déconnecter la source de courant électrique, et vérifier que le câblage est correct.
- Pour une installation sans décharge à l'extérieur (recyclage), installer le filtre à charbon. Voir le "Guide d'installation et entretien".

## Installation du cache-conduit

- À chacun des 14 emplacements comportant un trou rectangulaire, insérer un écrou captif à l'intérieur du cache-conduit.

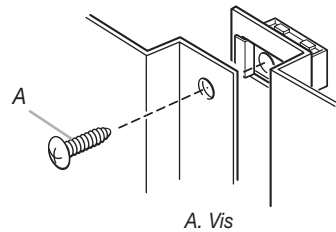


- Placer les sections supérieures du cache-conduit autour de l'armature de la cheminée - les fentes d'évent sur la partie avant du cache-conduit doivent être orientées dans la même direction que le tableau de commande.



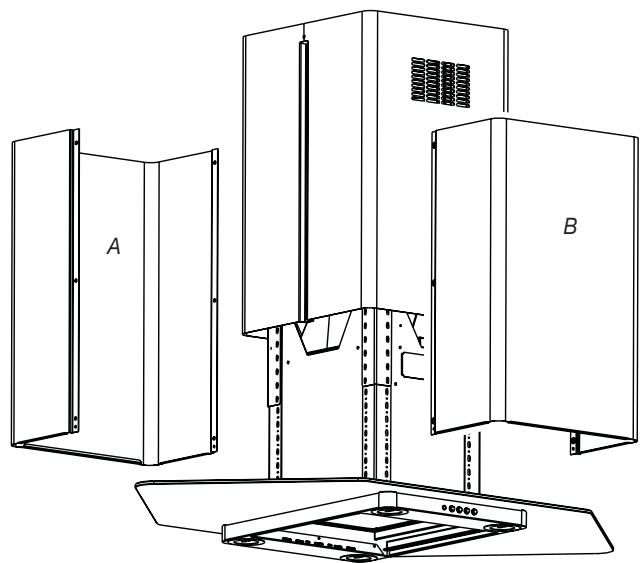
A. Cache-conduit - section supérieure

- Utiliser les 8 vis fournies pour fixer ensemble les sections supérieures du cache-conduit.



A. Vis

- Pousser la section supérieure du cache-conduit contre le plafond.
- Fixer la section supérieure du cache-conduit sur les brides de support du cache-conduit, avec deux vis (une de chaque côté).
- Placer les sections inférieures de cache-conduit autour de l'armature de la cheminée - la partie du cache-conduit avec écrous captifs doit être à l'arrière de la hotte.

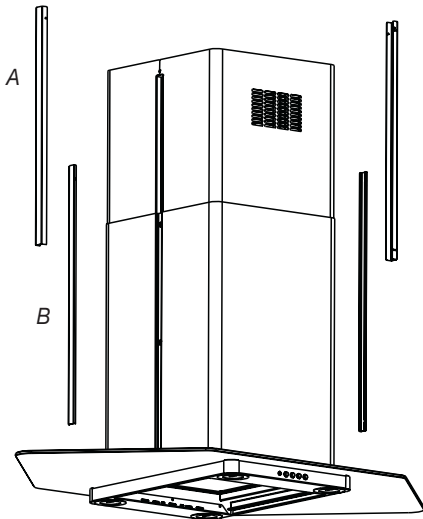


A. Partie inférieure du cache-conduit, avec écrous captifs  
B. Partie supérieure du cache-conduit

- Visser ensemble les deux moitiés inférieures du cache-conduit - utiliser 6 vis fournies.
- Fixer la section inférieure du cache-conduit avec 2 vis (une de chaque côté) en bas du cache-conduit.



9. Fixer les tringles de garniture inférieures (tringles étroites) sur la partie inférieure du cache-conduit.



A. Tringles de garniture supérieures  
B. Tringles de garniture inférieures

10. Couper les tringles de garniture supérieures (tringles larges) à la longueur appropriée pour l'installation sur la partie supérieure du cache-conduit.
11. Fixer les tringles de garniture supérieures sur la partie supérieure du cache-conduit.

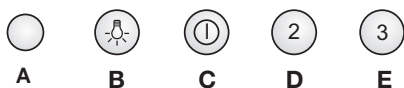
# UTILISATION DE LA HOTTE DE CUISINIÈRE

## Fonctionnement

La hotte est conçue pour extraire fumée, vapeurs de cuisson et odeurs au-dessus de la table de cuisson. Pour obtenir les meilleurs résultats, mettre le ventilateur de la hotte en marche avant d'entreprendre une cuisson, et laisser le ventilateur fonctionner pendant plusieurs minutes après l'achèvement d'une cuisson pour pouvoir évacuer de la cuisine toute trace d'odeur de cuisson, vapeur ou fumée.

### Tableau de commande de la hotte

Les commandes de la hotte sont situées sur la face inférieure de la hotte.



### Commande d'éclairage

1. Appuyer sur le bouton "B". La lampe doit s'allumer.
2. Appuyer de nouveau sur le bouton "B". La lampe doit s'éteindre.

### Commandes du ventilateur et sélection de la vitesse

1. Appuyer sur le bouton "C" pour basse vitesse, sur le bouton "D" pour vitesse moyenne, ou sur le bouton "E" pour haute vitesse.
2. Appuyer de nouveau sur le bouton "C". Le ventilateur doit s'arrêter.

# ENTRETIEN DE LA HOTTE DE CUISINIÈRE

## Nettoyage

Avant toute opération de nettoyage de la hotte, vérifier que les lampes ont refroidi.

### Surfaces externes

Nettoyer la hotte avec un détergent doux et un chiffon doux. Ne pas utiliser un produit de nettoyage abrasif ou un tampon de laine d'acier.

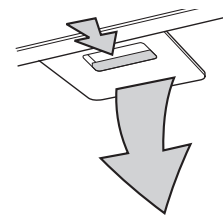
### Filtres à graisse métalliques

Laver fréquemment les filtres à graisse. Placer les filtres à graisse métalliques dans un lave-vaisselle ou une solution de détergent chaude.

Drainer l'eau par les trous des bords, et laisser chaque filtre sécher complètement avant de le réinstaller.

Dépose des filtres à graisse métalliques :

1. Commander l'arrêt du ventilateur et l'extinction des lampes.
2. Pousser la manette vers l'arrière et tirer vers le bas.
3. Tirer le filtre vers l'avant.



Réinstallation des filtres à graisse métalliques :

4. Insérer le bord arrière du filtre métallique dans la rainure arrière de l'ouverture d'installation du filtre.
5. Pousser la manette vers l'arrière et pousser le filtre vers le haut.
6. Tirer le filtre vers l'avant et insérer le filtre dans la rainure avant.

### Filtre à charbon - pour installation sans décharge à l'extérieur (recyclage)

Les filtres à charbon retiennent les composés responsables des odeurs de cuisson. On peut nettoyer et réactiver ces filtres à charbon. Dans le contexte d'une utilisation normale (utilisation de la hotte 2,5 heures par jour en moyenne), on doit nettoyer le filtre à intervalle de deux mois.

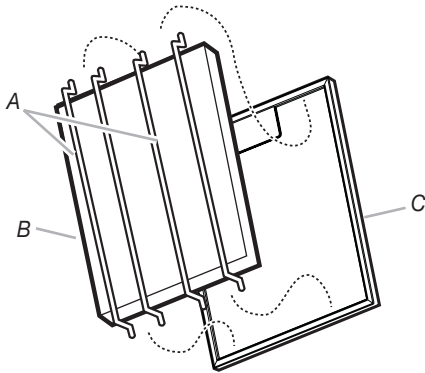
Nettoyer le filtre dans un lave-vaisselle avec un détergent normal (sélectionner la température la plus élevée). Laver le filtre séparément. Pour la réactivation du filtre, sécher le filtre dans un four pendant 10 minutes à une température inférieure à 210°F (100°C).

On doit remplacer le filtre à charbon après environ trois années d'utilisation.

### Installation du filtre à charbon

1. Commander l'arrêt du ventilateur et l'extinction des lampes.
2. Enlever les filtres à graisse métalliques : pousser la manette vers l'arrière et tirer vers le bas.
3. Tirer le filtre vers l'avant.
4. Conserver le filtre à part, sur une surface protégée (par exemple, sur une serviette).
5. Installer le filtre à charbon à l'arrière du filtre métallique, avec les fils métalliques fournis dans l'emballage du filtre.

Réinstallation des filtres à graisse métalliques :



A. Fils métalliques  
B. Filtre à charbon  
C. Filtre métallique

6. Insérer le bord arrière du filtre métallique dans la rainure arrière de l'ouverture d'installation du filtre.
7. Pousser la manette vers l'arrière et pousser le filtre vers le haut.
8. Tirer le filtre vers l'avant et insérer le filtre dans la rainure avant.

### Remplacement du filtre à charbon

1. Commander l'arrêt du ventilateur et l'extinction des lampes.
2. Enlever les filtres à graisse métalliques. Pousser la manette vers l'arrière et tirer vers le bas.
3. Tirer le filtre vers l'avant.
4. Conserver le filtre à part, sur une surface protégée (par exemple, sur une serviette).
5. Enlever les fils métalliques et nettoyer ou jeter le filtre à charbon.
6. Installer le nouveau filtre à charbon (neuf ou nettoyé) à l'arrière du filtre métallique, avec les fils métalliques fournis dans l'emballage du filtre.

Réinstallation des filtres à graisse métalliques :

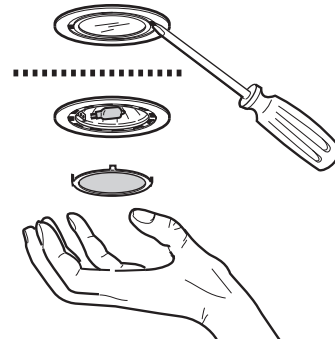
7. Insérer le bord arrière du filtre métallique dans la rainure arrière de l'ouverture d'installation du filtre.
8. Pousser la manette vers l'arrière et pousser le filtre vers le haut.
9. Tirer le filtre vers l'avant et insérer le filtre dans la rainure avant.

### Remplacement d'une lampe

Déconnecter la source de courant électrique de la hotte et vérifier que les lampes ont pu refroidir.

Si une lampe neuve ne fonctionne pas, avant de demander l'intervention d'un dépanneur vérifier que chaque lampe est correctement insérée dans sa douille.

1. À l'aide d'un tournevis à lame plate, dégager doucement la garniture de lampe.
2. Enlever la lampe. Installer une lampe neuve (lampe à halogène, 12 V/20W maximum, avec culot G4).
3. Réinstaller la garniture de lampe.



### Accessoires

Filtre à charbon de rechange ..... Pièce numéro 4396850

---

# DEMANDE D'ASSISTANCE OU DE SERVICE

---

## Si vous avez besoin d'assistance ou de service aux États-Unis

---

**Téléphoner au Centre d'interaction avec la clientèle Whirlpool sans frais au 1-800-253-1301. Nos consultants sont disponibles pour vous aider.**

Lors de votre appel : Veuillez connaître la date d'achat et les numéros de modèle et de série au complet de votre appareil. Ces renseignements nous aideront à mieux répondre à votre demande.

Nos consultants fournissent de l'assistance pour :

- Caractéristiques et spécifications de notre gamme complète d'appareils ménagers
- Renseignements d'installation
- Procédés d'utilisation et d'entretien
- Vente d'accessoires et de pièces de rechange
- Assistance spécialisée au client (langue espagnole, malentendants, malvoyants, etc.)
- Les références aux concessionnaires, compagnies de service de réparation et distributeurs de pièces de rechange locaux

Les techniciens de service désignés par Whirlpool sont formés pour remplir la garantie des produits et fournir un service après garantie partout aux États-Unis.

Pour localiser la compagnie de service désignée dans votre région, vous pouvez également consulter les Pages jaunes.

### Si vous avez besoin de pièces de rechange

Si vous avez besoin de commander des pièces de rechange, nous vous recommandons d'employer uniquement des pièces d'origine. Ces pièces conviendront et fonctionneront bien parce qu'elles sont fabriquées avec la même précision utilisée dans la fabrication de chaque nouvel appareil Whirlpool.

Pour localiser des pièces de rechange d'origine dans votre région, téléphoner au Centre d'interaction avec la clientèle, au centre de service désigné le plus proche, ou appeler le 1-800-442-1111.

### Pour plus d'assistance

Si vous avez besoin de plus d'assistance, vous pouvez écrire à Whirlpool en soumettant toute question ou problème à :

Customer Interaction Center  
c/o Correspondence Dept.  
2000 North M-63  
Benton Harbor, MI 49022-2692

Dans votre correspondance, veuillez indiquer un numéro de téléphone où l'on peut vous joindre dans la journée.

## Si vous avez besoin d'assistance ou de service au Canada

---

Pour des questions relatives aux produits, veuillez appeler sans frais le Centre d'interaction avec la clientèle de Whirlpool Canada Inc. au **1-800-461-5681**. Du lundi au vendredi de 8 h 00 à 18 h 00 (HNE). Le samedi de 8 h 30 à 16 h 30 (HNE).

### Nos consultants fournissent de l'assistance pour :

- Caractéristiques et spécifications de notre gamme complète d'appareils ménagers
- Références aux concessionnaires locaux

### Pour pièces, accessoires et service au Canada

Téléphoner au **1-800-807-6777**. Les techniciens de service désignés par Whirlpool Canada Inc. sont formés pour remplir la garantie des produits et fournir un service après garantie partout au Canada.

### Pour plus d'assistance

Si vous avez besoin de plus d'assistance, vous pouvez écrire à Whirlpool Canada Inc. en soumettant toute question ou problème au :

Centre d'interaction avec la clientèle  
Whirlpool Canada, Inc.  
1901 Minnesota Court  
Mississauga, Ontario L5N 3A7

Dans votre correspondance, veuillez indiquer un numéro de téléphone où l'on peut vous joindre dans la journée.

# GARANTIE DES GROS APPAREILS MÉNAGERS WHIRLPOOL CORPORATION

## GARANTIE LIMITÉE DE UN AN

Pendant un an à compter de la date d'achat, lorsque ce gros appareil ménager est utilisé et entretenu conformément aux instructions jointes à ou fournies avec le produit, Whirlpool Corporation ou Whirlpool Canada LP (ci-après désignées "Whirlpool") paiera pour les pièces de rechange FSP® et la main-d'œuvre pour corriger les vices de matériaux ou de fabrication. Le service doit être fourni par une compagnie de service désignée par Whirlpool.

## WHIRLPOOL NE PRENDRA PAS EN CHARGE

1. Les visites de service pour rectifier l'installation du gros appareil ménager, montrer à l'utilisateur comment utiliser l'appareil, remplacer ou réparer des fusibles ou rectifier le câblage ou la plomberie du domicile.
2. Les visites de service pour réparer ou remplacer les ampoules électriques de l'appareil, les filtres à air ou les filtres à eau. Ces pièces consommables ne sont pas couvertes par la garantie.
3. Les réparations lorsque le gros appareil ménager est utilisé à des fins autres que l'usage unifamilial normal.
4. Les dommages imputables à : accident, modification, usage impropre ou abusif, incendie, inondation, actes de Dieu, installation fautive ou installation non conforme aux codes d'électricité ou de plomberie, ou l'utilisation de produits non approuvés par Whirlpool.
5. Toute perte d'aliments due à une défaillance du réfrigérateur ou du congélateur.
6. Le coût des pièces de rechange et de la main-d'œuvre pour les appareils utilisés hors des États-Unis ou du Canada.
7. Le ramassage et la livraison. Ce gros appareil ménager est conçu pour être réparé à domicile.
8. Les réparations aux pièces ou systèmes résultant d'une modification non autorisée faite à l'appareil.
9. Les frais de transport pour le service d'un produit dans les régions éloignées.
10. La dépose et la réinstallation de votre appareil si celui-ci est installé dans un endroit inaccessible ou n'est pas installé conformément aux instructions d'installation fournies.

## CLAUSE D'EXONÉRATION DE RESPONSABILITÉ AU TITRE DES GARANTIES IMPLICITES; LIMITATION DES RECOURS

LE SEUL ET EXCLUSIF RECOURS DU CLIENT DANS LE CADRE DE LA PRÉSENTE GARANTIE LIMITÉE CONSISTE EN LA RÉPARATION PRÉVUE CI-DESSUS. LES GARANTIES IMPLICITES, Y COMPRIS LES GARANTIES APPLICABLES DE QUALITÉ MARCHANDE ET D'APTITUDE À UN USAGE PARTICULIER, SONT LIMITÉES À UN AN OU À LA PLUS COURTE PÉRIODE AUTORISÉE PAR LA LOI. WHIRLPOOL N'ASSUME AUCUNE RESPONSABILITÉ POUR LES DOMMAGES FORTUITS OU INDIRECTS. CERTAINES JURIDICTIONS NE PERMETTENT PAS L'EXCLUSION OU LA LIMITATION DES DOMMAGES FORTUITS OU INDIRECTS, OU LES LIMITATIONS DE LA DURÉE DES GARANTIES IMPLICITES DE QUALITÉ MARCHANDE OU D'APTITUDE À UN USAGE PARTICULIER, DE SORTE QUE CES EXCLUSIONS OU LIMITATIONS PEUVENT NE PAS S'APPLIQUER DANS VOTRE CAS. CETTE GARANTIE VOUS CONFÈRE DES DROITS JURIDIQUES SPÉCIFIQUES ET VOUS POUVEZ ÉGALEMENT JOUIR D'AUTRES DROITS QUI PEUVENT VARIER D'UNE JURIDICTION À UNE AUTRE.

À l'extérieur du Canada et des 50 États des États-Unis, cette garantie ne s'applique pas. Contacter votre marchand Whirlpool autorisé pour déterminer si une autre garantie s'applique.

Si vous avez besoin de service, voir d'abord la section "Dépannage" du Guide d'utilisation et d'entretien. Après avoir vérifié la section "Dépannage", de l'aide supplémentaire peut être trouvée en vérifiant la section "Assistance ou service" ou en appelant Whirlpool. Aux É.-U., composer le **1-800-253-1301**. Au Canada, composer le **1-800-807-6777**. 8/05

**Conservez ce manuel et votre reçu de vente ensemble pour référence ultérieure. Pour le service sous garantie, vous devez présenter un document prouvant la date d'achat ou d'installation.**

Inscrivez les renseignements suivants au sujet de votre appareil ménager pour mieux vous aider à obtenir assistance ou service en cas de besoin. Vous devrez connaître le numéro de modèle et le numéro de série au complet. Vous pouvez trouver cette information sur la plaque signalétique située sur votre appareil.

Nom du marchand \_\_\_\_\_

Adresse \_\_\_\_\_

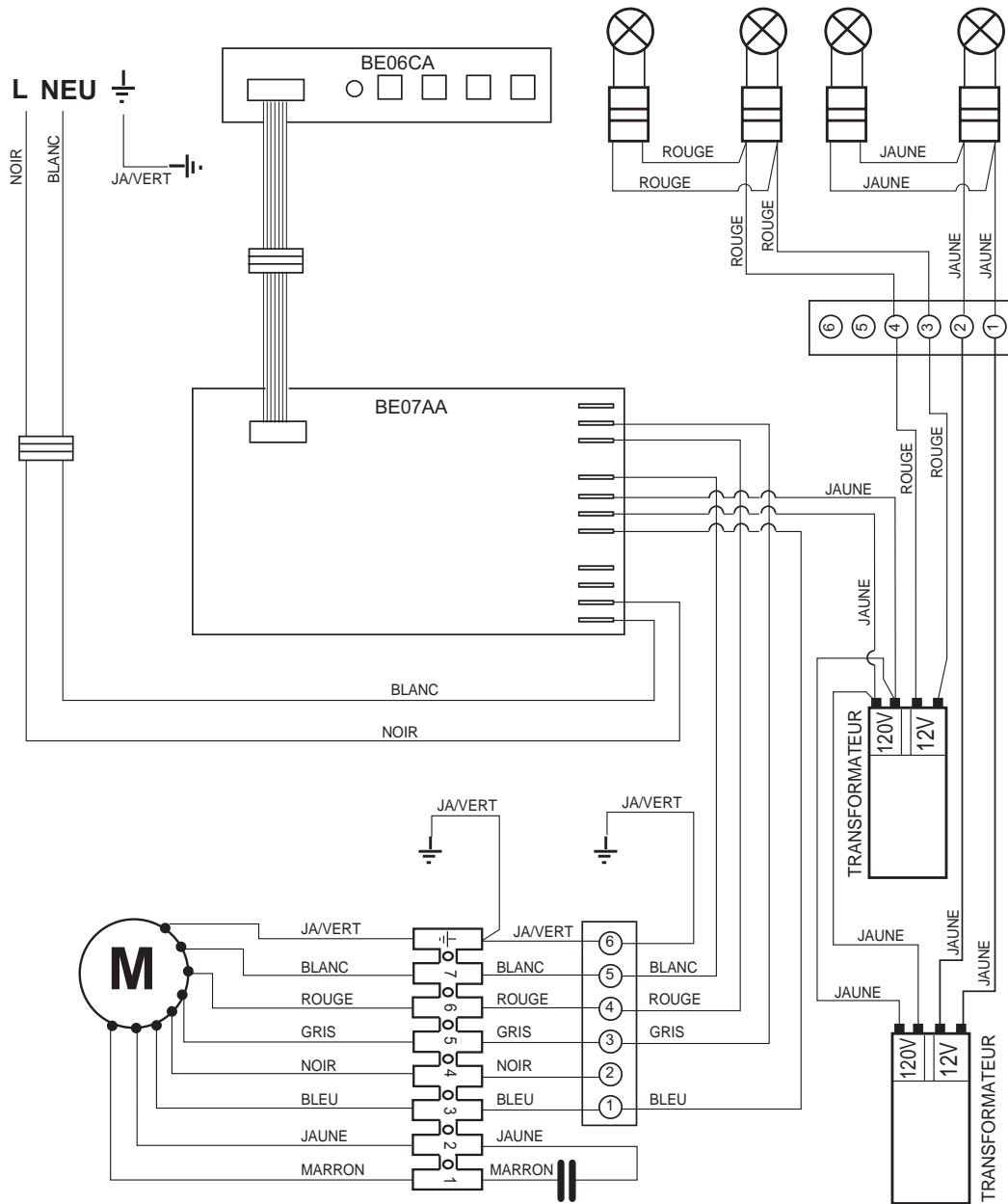
Numéro de téléphone \_\_\_\_\_

Numéro de modèle \_\_\_\_\_

Numéro de série \_\_\_\_\_

Date d'achat \_\_\_\_\_

# SCHÉMA DE CÂBLAGE



## NOTES





## Free Manuals Download Website

<http://myh66.com>

<http://usermanuals.us>

<http://www.somanuals.com>

<http://www.4manuals.cc>

<http://www.manual-lib.com>

<http://www.404manual.com>

<http://www.luxmanual.com>

<http://aubethermostatmanual.com>

Golf course search by state

<http://golfingnear.com>

Email search by domain

<http://emailbydomain.com>

Auto manuals search

<http://auto.somanuals.com>

TV manuals search

<http://tv.somanuals.com>