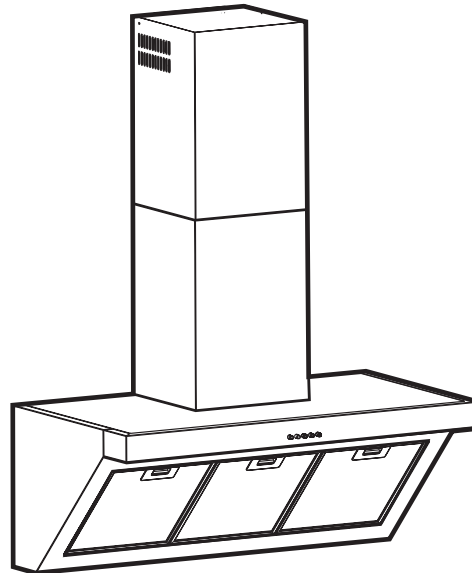

90 CM (35 2/5") WALL-MOUNT CANOPY RANGE HOOD

Installation Instructions and Use & Care Guide

HOTTE DE CUISINIÈRE POUR MONTAGE MURAL 90 CM (35 2/5")

Instructions d'installation et Guide d'utilisation et d'entretien

Table of Contents/Table des matières..... 2



**IMPORTANT: READ AND SAVE THESE INSTRUCTIONS.
FOR RESIDENTIAL USE ONLY.**

**IMPORTANT : LIRE ET CONSERVER CES INSTRUCTIONS.
POUR UTILISATION RÉSIDENNELLE UNIQUEMENT.**

IMPORTANT:

Installer: Leave installation instructions with the homeowner.
Homeowner: Keep installation instructions for future reference.
Save installation instructions for local electrical inspector's use.

IMPORTANT :

Installateur : Remettre les instructions d'installation au propriétaire.
Propriétaire : Conserver les instructions d'installation pour référence ultérieure.
Conserver les instructions d'installation pour consultation par l'inspecteur local des installations électriques.

W10018030

TABLE OF CONTENTS

RANGE HOOD SAFETY	2
INSTALLATION REQUIREMENTS	4
Tools and Parts	4
Location Requirements	4
Venting Requirements	5
Electrical Requirements	6
INSTALLATION INSTRUCTIONS	7
Prepare Location	7
Install Range Hood	9
Connect Vent System (for vented installations only)	9
Make Electrical Connection	9
Complete Installation	10
Install Filters	10
Check Operation	10
RANGE HOOD USE	10
Operation	10
RANGE HOOD CARE	11
Cleaning and Maintenance	11
WIRING DIAGRAM	12
ASSISTANCE OR SERVICE	13
In the U.S.A.	13
In Canada	13
WARRANTY	14

TABLE DES MATIÈRES

SÉCURITÉ DE LA HOTTE DE CUISINIÈRE	15
EXIGENCES D'INSTALLATION	17
Outillage et pièces	17
Exigences d'emplacement	17
Exigences concernant l'évacuation	18
Spécifications électriques	20
INSTRUCTIONS D'INSTALLATION	20
Préparation de l'emplacement	20
Installation de la hotte	22
Installation du conduit d'évacuation (pour installations avec décharge à l'extérieur uniquement)	22
Raccordement électrique	23
Achever l'installation	23
Installation des filtres	24
Contrôle du fonctionnement	24
UTILISATION DE LA HOTTE DE CUISINIÈRE	24
Fonctionnement	24
ENTRETIEN DE LA HOTTE DE CUISINIÈRE	24
Nettoyage et entretien	24
SCHÉMA DE CÂBLAGE	26
ASSISTANCE OU SERVICE	27
GARANTIE	28

RANGE HOOD SAFETY

Your safety and the safety of others are very important.

We have provided many important safety messages in this manual and on your appliance. Always read and obey all safety messages.



This is the safety alert symbol.

This symbol alerts you to potential hazards that can kill or hurt you and others.

All safety messages will follow the safety alert symbol and either the word "DANGER" or "WARNING."

These words mean:

⚠ DANGER

You can be killed or seriously injured if you don't immediately follow instructions.

⚠ WARNING

You can be killed or seriously injured if you don't follow instructions.

All safety messages will tell you what the potential hazard is, tell you how to reduce the chance of injury, and tell you what can happen if the instructions are not followed.

IMPORTANT SAFETY INSTRUCTIONS

WARNING: TO REDUCE THE RISK OF FIRE, ELECTRIC SHOCK, OR INJURY TO PERSONS, OBSERVE THE FOLLOWING:

- Use this unit only in the manner intended by the manufacturer. If you have questions, contact the manufacturer.
- Before servicing or cleaning the unit, switch the power off at the service panel disconnecting means to prevent power from being switched on accidentally. When the service disconnecting means cannot be locked, securely fasten a prominent warning device, such as a tag, to the service panel.
- Installation work and electrical wiring must be done by qualified person(s) in accordance with all applicable codes & standards, including fire-rated construction.
- Sufficient air is needed for proper combustion and exhausting of gases through the flue (chimney) of fuel burning equipment to prevent backdrafting. Follow the heating equipment manufacturer's guideline and safety standards such as those published by the National Fire Protection Association (NFPA), the American Society for Heating, Refrigeration and Air Conditioning Engineers (ASHRAE), and the local code authorities.
- When cutting or drilling into wall or ceiling; do not damage electrical wiring and other utilities.
- Ducted systems must always be vented outdoors.

CAUTION: For general ventilating use only. Do not use to exhaust hazardous or explosive materials and vapors.

CAUTION: To reduce risk of fire and to properly exhaust air, be sure to duct air outside - do not vent exhaust air into spaces within walls ceilings, attics, crawl spaces, or garages.

WARNING: TO REDUCE THE RISK OF FIRE, USE ONLY METAL DUCTWORK.

WARNING: TO REDUCE THE RISK OF A RANGE TOP GREASE FIRE:

- Never leave the surface units unattended at high settings. Boilovers cause smoking and greasy spillovers that may ignite. Heat oils slowly on low or medium settings.
- Always turn hood ON when cooking at high heat or when flambeing food (i.e. Crepes Suzette, Cherries Jubilee, Peppercorn Beef Flambé).
- Clean ventilating fans frequently. Grease should not be allowed to accumulate on fan or filter.
- Use proper pan size. Always use cookware appropriate for the size of the surface element.

WARNING: TO REDUCE THE RISK OF INJURY TO PERSONS IN THE EVENT OF A RANGE TOP GREASE FIRE, OBSERVE THE FOLLOWING:^a

- **SMOTHER FLAMES** with a close fitting lid, cookie sheet, or other metal tray, then turn off the gas burner or electric element. **BE CAREFUL TO PREVENT BURNS.** If the flames do not go out immediately, **EVACUATE AND CALL THE FIRE DEPARTMENT.**
- **NEVER PICK UP A FLAMING PAN** - you may be burned.
- **DO NOT USE WATER**, including wet dishcloths or towels - a violent steam explosion will result.
- Use an extinguisher **ONLY** if:
 - You know you have a class ABC extinguisher, and you already know how to operate it.
 - The fire is small and contained in the area where it started.
 - The fire department is being called.
 - You can fight the fire with your back to an exit.

^aBased on "Kitchen Fire Safety Tips" published by NFPA.

- **WARNING:** To reduce the risk of fire or electrical shock, do not use this fan with any solid-state speed control device.

SAVE THESE INSTRUCTIONS

INSTALLATION REQUIREMENTS

Tools and Parts

Gather the required tools and parts before starting installation. Read and follow the instructions provided with any tools listed here.

Tools needed

- Level
- Drill with 1/4" (3 cm), 3/8" (9.5 mm), 7/64" (2.75 mm) and 1/8" (3 mm) drill bits
- Pencil
- Wire stripper or utility knife
- Tape measure or ruler
- Pliers
- Caulking gun and weatherproof caulking compound
- Vent clamps
- Jigsaw or keyhole saw
- Flat-blade screwdriver
- Metal snips
- Phillips screwdriver

Parts needed

- 1/2" conduit
- Two 1/2" (12.7 mm) UL listed or CSA approved strain reliefs
- 3 UL listed wire connectors
- 1 wall or roof cap
- Metal vent system
- Charcoal Filter Kit Part Number 4396848 for non-vented (recirculating) installations only. See "Assistance or Service" section to order.

Parts supplied

Remove parts from packages. Check that all parts are included.

- Hood canopy assembly with ventilator and light bulbs installed
- Deflector for non-vented (recirculating) installations
- Plastic transition with back draft dampers installed
- Literature package
- Filter(s) - depending on model and size
- 2 mounting hooks
- Vent cover support bracket
- Mounting template
- 2-piece vent cover
- 4 - 4 x 8 mm screws
- 10 - 3.5 x 9.5 mm screws
- 4 - 5 x 35 mm screws
- 2 - 2.9 x 9.5 mm screws
- 2 - 6 x 70 mm

Location Requirements

IMPORTANT: Observe all governing codes and ordinances.

Have a qualified technician install the range hood. It is the installer's responsibility to comply with installation clearances specified on the model/serial rating plate. The model/serial rating plate is located behind the left filter on the rear wall of the vent hood.

Canopy hood location should be away from strong draft areas, such as windows, doors and strong heating vents.

Cabinet opening dimensions that are shown must be used. Given dimensions provide minimum clearance.

Grounded electrical outlet is required. See "Electrical Requirements" section.

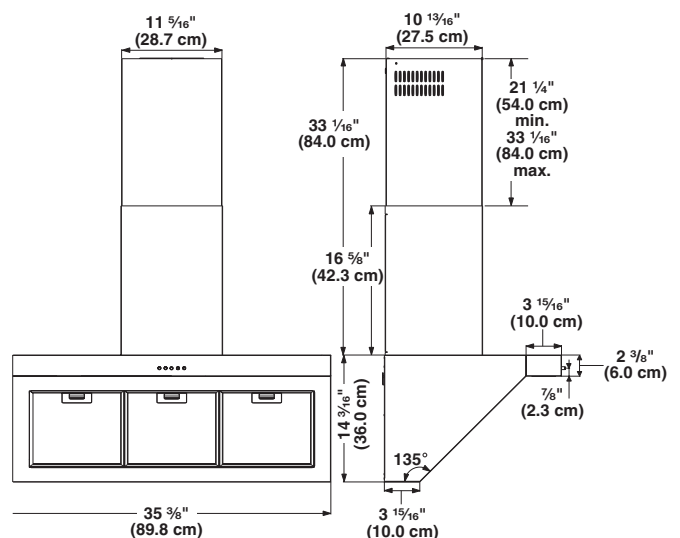
The canopy hood is factory set for venting through the roof or wall. For non-vented (recirculating) installation see "Non-vented (recirculating) Installations" in "Prepare Location" section. Charcoal Filter Kit Part Number 4393848 is available from your dealer or an authorized parts distributor.

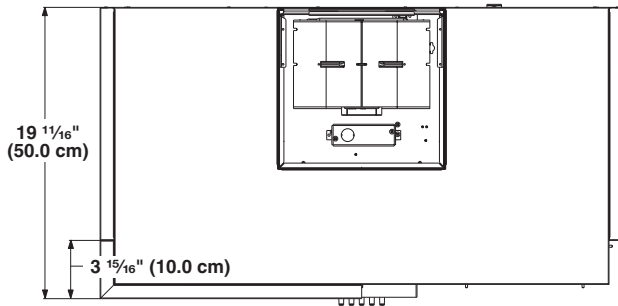
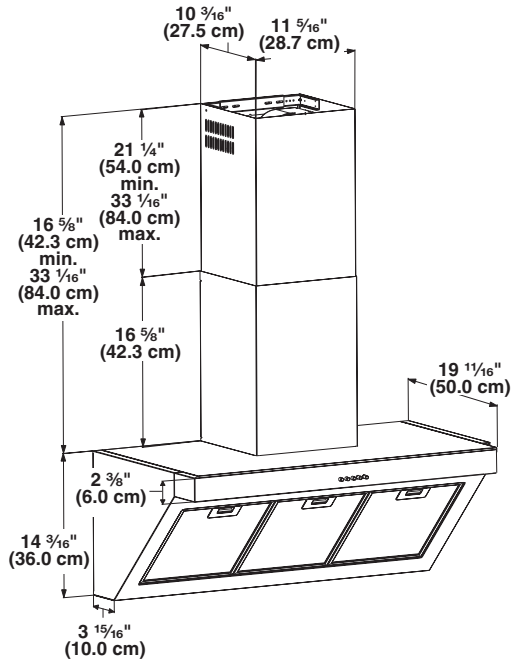
All openings in ceiling and wall where canopy hood will be installed must be sealed.

For Mobile Home Installations

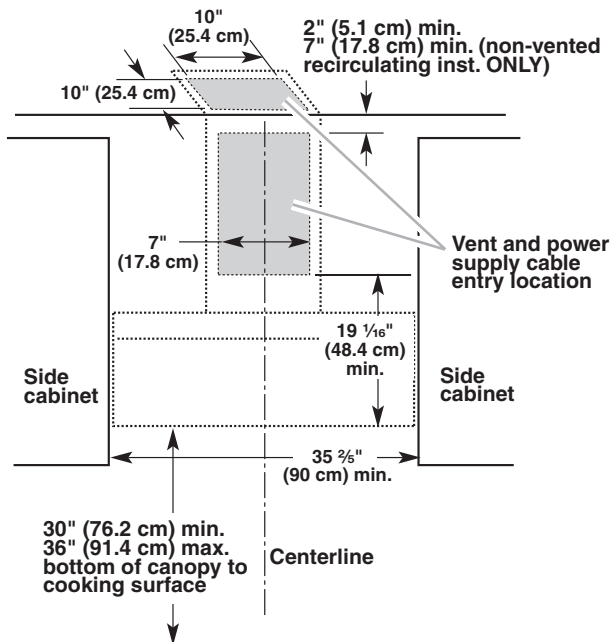
The installation of this range hood must conform to the Manufactured Home Construction Safety Standards, Title 24 CFR, Part 328 (formerly the Federal Standard for Mobile Home Construction and Safety, Title 24, HUD, Part 280) or when such standard is not applicable, the standard for Manufactured Home Installation 1982 (Manufactured Home Sites, Communities and Setups) ANSI A225.1/NFPA 501A*, or latest edition, or with local codes.

Product Dimensions





Installation Dimensions



Venting Requirements

- Vent system must terminate to the outside, except for non-vented (recirculating) installations.
- Do not terminate the vent system in an attic or other enclosed area.
- Do not use 4" (10.2 cm) laundry-type wall caps.
- Use metal vent only. Rigid metal vent is recommended. Do not use plastic or metal foil vent.
- The vent system must have a damper. If the roof or wall cap has a damper, do not use the damper supplied with the range hood.

For the most efficient and quiet operation:

- Use a straight run or as few elbows as possible.
- Use no more than three 90° elbows.
- Make sure there is a minimum of 24" (61 cm) of straight vent between the elbows if more than 1 elbow is used.
- Do not install 2 elbows together.
- Use clamps to seal all joints in the vent system.
- Use caulking to seal exterior wall or roof opening around the cap.
- The size of the vent should be uniform.

Cold weather installations

An additional back draft damper should be installed to minimize backward cold air flow and a nonmetallic thermal break should be installed to minimize conduction of outside temperatures as part of the vent system. The damper should be on the cold air side of the thermal break.

The break should be as close as possible to where the vent system enters the heated portion of the house.

Makeup air

Local building codes may require the use of make up air systems when using ventilation systems greater than specified CFM of air movement. The specified CFM varies from locale to locale. Consult your HVAC professional for specific requirements in your area.

Venting Methods

This canopy hood is factory set for venting through the roof or wall.

A 6" (15.2 cm) round vent system is needed for installation (not included). The hood exhaust opening is 6" (15.2 cm) round.

NOTE: Flexible vent is not recommended. Flexible vent creates back pressure and air turbulence that greatly reduce performance.

Vent system can terminate either through the roof or wall. To vent through a wall, a 90° elbow is needed.

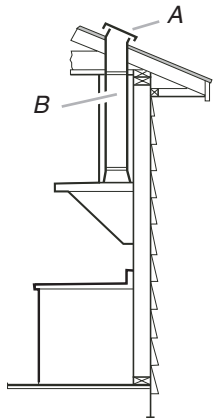
Rear discharge

A 90° elbow may be installed immediately above the hood.

For non-vented (recirculating) installations

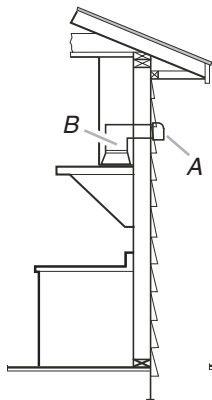
If it is not possible to vent cooking fumes and vapors to the outside, the hood can be used in the non-vented (recirculating) version, fitting an activated carbon filter and the deflector. Fumes and vapors are recycled through the top grille.

Roof Venting



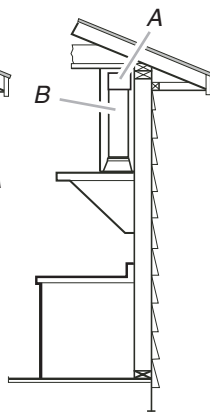
A. Roof cap
B. 6" (15.2 cm)
round vent

Wall Venting



A. Wall cap
B. 6" (15.2 cm)
round vent

Non-vented (recirculating)



A. Deflector
B. 6" (15.2 cm)
round vent

Electrical Requirements

IMPORTANT: Observe all governing codes and ordinances. Save Installation Instructions for electrical inspector's use.

It is the customer's responsibility to contact a qualified electrical installer, and to ensure that the electrical installation is adequate and in conformance with National Electrical Code, ANSI/NFPA 70 (latest edition), or CSA Standards C22.1-94, Canadian Electrical Code, Part 1 and C22.2 No. 0-M91 (latest edition) and all local codes and ordinances.

If codes permit and a separate ground wire is used, it is recommended that a qualified electrician determine that the ground path is adequate.



A copy of the above code standards can be obtained from:

National Fire Protection Association
One Batterymarch Park
Quincy, MA 02269
CSA International
8501 East Pleasant Valley Road
Cleveland, OH 44131-5575

- A 120 Volt, 60 Hz., AC only 15-amp fused, electrical circuit is required.
- Do not ground to a gas pipe.
- Check with a qualified electrician if you are not sure range hood is properly grounded.
- Do not have a fuse in the neutral or ground circuit.
- The range hood must be connected with copper wire only.
- The range hood should be connected directly to the fused disconnect (or circuit breaker) box through flexible armored or nonmetallic sheathed copper cable. It is recommended that a separate circuit serving only this hood be provided.
- Wire sizes (copper wire only) and connections must conform with the rating of the appliance as specified on the model/serial rating plate. The model/serial plate is located behind the filter on the rear wall of the hood.
- Wire sizes must conform to the requirements of the National Electrical Code, ANSI/NFPA 70 (latest edition), or CSA Standards C22.1-94, Canadian Electrical Code, Part 1 and C22.2 No. 0-M91 (latest edition) and all local codes and ordinances.
- A 1/2" (12.7 mm) UL listed or CSA approved strain relief must be provided at each end of the power supply cable (at the range hood and at the junction box).

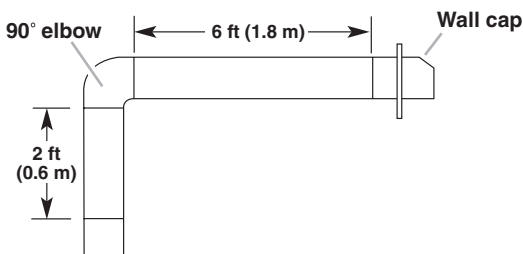
Calculating Vent System Length

To calculate the length of the system you need, add the equivalent feet (meters) for each vent piece used in the system.

Vent Piece	6" (15.2 cm) Round	
45° elbow	2.5 ft (0.8 m)	
90° elbow	5.0 ft (1.5 m)	

Maximum equivalent vent length is 35 ft (10.7 m).

Example vent system



The following example falls within the maximum vent length of 35 ft (10.7 m).

1 - 90° elbow	= 5.0 ft (1.5 m)
1 - wall cap	= 0.0 ft (0.0 m)
8 ft (2.4 m) straight	= 8.0 ft (2.4 m)
Length of system	= 13.0 ft (3.9 m)

INSTALLATION INSTRUCTIONS

Prepare Location

- It is recommended that the vent system be installed before hood is installed.
- Do not cut a joist or stud unless absolutely necessary. If a joist or stud must be cut, then a supporting frame must be constructed.
- Before making cutouts, make sure there is proper clearance within the ceiling or wall for exhaust vent.
- Check your ceiling height and the hood height maximum before you select your hood.

⚠ WARNING

Excessive Weight Hazard

**Use two or more people to move and install range.
Failure to do so can result in back or other injury.**

1. If possible, disconnect and move freestanding or slide-in range from cabinet opening to provide easier access to rear wall. Otherwise, put a thick, protective covering over countertop, cooktop or range to protect from damage or dirt.
2. Determine which venting method to use: roof, wall, or non-vented.
3. Select a flat surface for assembling the range hood. Cover that surface with a protective covering.

⚠ WARNING

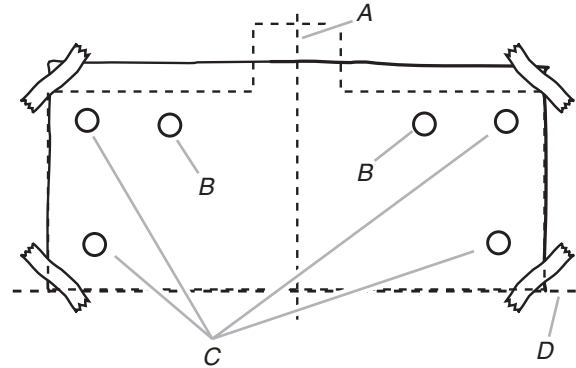
Excessive Weight Hazard

**Use two or more people to move and install range hood.
Failure to do so can result in back or other injury.**

4. Using 2 or more people, lift range hood onto protective covering.
5. Determine and mark the centerline on the wall where the canopy hood will be installed.
6. Select a mounting height between a minimum of 30" (76.2 cm) and a suggested maximum of 36" (91.4 cm), above the range to the bottom of the hood and mark reference line on the wall.

NOTE: For installation locations with reduced ceilings heights, the vent hood may be installed using the upper vent cover for both vented and non-vented (recirculating) installations.

7. Tape template in place, aligning the template centerline and bottom of template with hood bottom line and with the centerline marked on the wall.



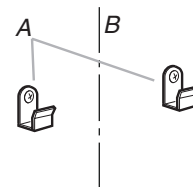
A. Centerline
B. Mounting hook location
C. Fastener locations
D. Mounting height reference

8. Mark centers of the 6 fastener locations through the template to the wall.

IMPORTANT: All screws must be installed into wood.

Remove the template.

9. Drill $\frac{7}{64}$ " (2.75 mm) pilot holes at all locations where screws are being installed into wood.
10. Determine and make all necessary cuts in the wall for the vent system. Install the vent system before installing the hood. See "Venting Requirements" section.
11. Determine the required height for the $\frac{1}{2}$ " conduit and drill a $1\frac{1}{4}$ " (3.2 cm) hole at this location.
12. Run wire through the $\frac{1}{2}$ " conduit according to the National Electrical Code or CSA Standards and local codes and ordinances. There must be enough $\frac{1}{2}$ " conduit and wires from the fused disconnect (or circuit breaker) box to make the connection in the hood's electrical terminal box.
13. Use caulk to seal all openings.
NOTE: Do not reconnect power until installation is complete.
14. Attach two mounting hooks to the wall at location marked on the template.

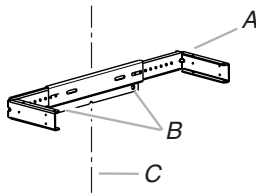


A. Mounting hooks
B. Centerline on wall

Vent Cover Bracket Installation

Installations using telescoping upper and lower vent cover assembly

1. Position vent cover bracket on wall about $\frac{1}{8}$ " (3 mm) away from the ceiling.
2. Mark the hole locations.

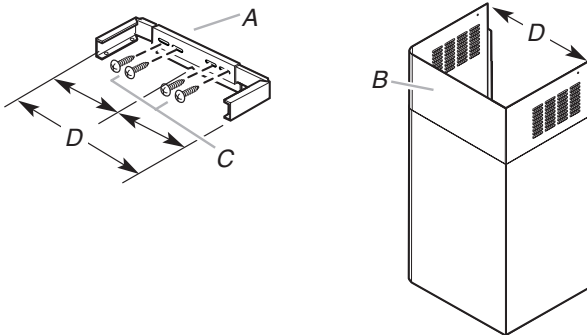


A. Vent cover bracket
B. Mounting hole locations
C. Centerline on wall

3. Drill $\frac{3}{8}$ " (9.5 mm) holes for wall anchors and insert anchors flush with the wall.

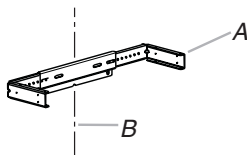
Vent Cover Bracket Assembly and Installation

4. Assemble the 3 pieces of the vent cover bracket using four 4 x 8 mm screws provided. The assembled bracket should be sized to fit inside the upper vent cover.



A. Vent cover bracket assembly
B. Upper vent cover
C. 4 x 8 mm screws
D. Adjustable width

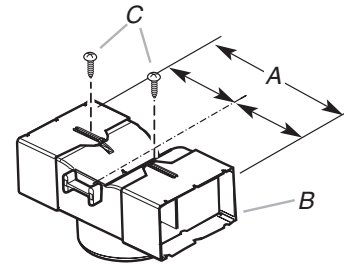
5. Install vent cover bracket to wall about $\frac{1}{8}$ " (3 mm) away from the ceiling with drywall anchors and 6 x 70 mm screws supplied.



A. Vent cover bracket
B. Centerline on wall

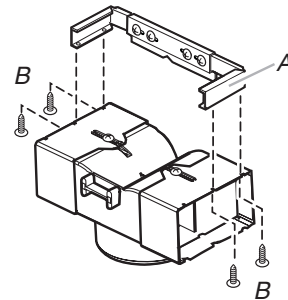
Non-vented (recirculating) Installation

1. Assemble the 3 parts of the deflector with two 3.5 x 9.5 mm screws provided. The assembled deflector should be sized to fit the width of the vent cover bracket installed earlier.



A. Vent cover bracket width
B. Deflector
C. 3.5 x 9.5 mm screws

2. Connect the deflector to the vent cover bracket using four 3.5 x 9.5 mm screws provided.



A. Vent cover bracket
B. 3.5 x 9.5 mm screws

3. Measure length of 6" (15.2 cm) vent needed to connect the transition to the deflector.

NOTE: Vent should fit up inside deflector a minimum of 1" (2.5 cm) minimum.

4. Install vent between the transition and the deflector.
5. Seal all connections with clamps.

Install Range Hood

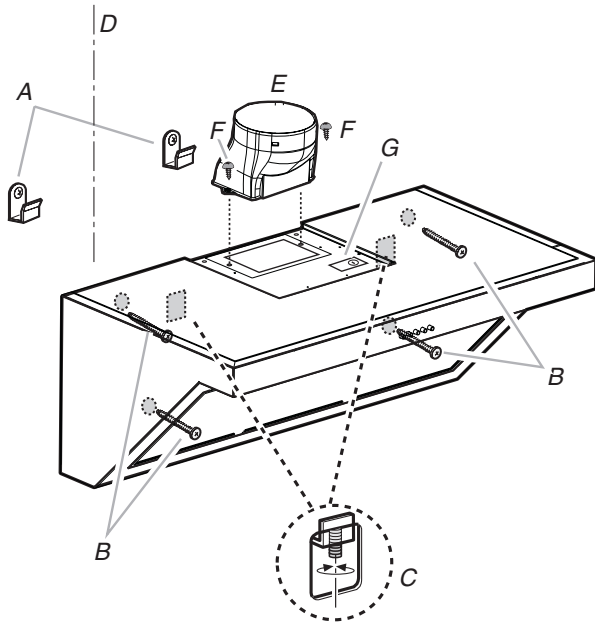
⚠ WARNING

Excessive Weight Hazard

Use two or more people to move and install range hood.

Failure to do so can result in back or other injury.

- Using 2 or more people, hang range hood on 2 mounting hooks through the rectangular cutouts on back of hood.

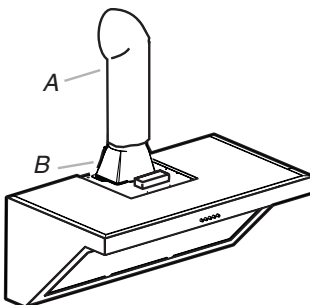


- A. Mounting hooks
 B. Mounting screws
 C. Leveling screws
 D. Centerline on wall
 E. Transition
 F. 3.5 x 9.5 mm screws
 G. Terminal box

- Level the hood with leveling screws in mounting hooks or rectangular cutouts, using a level across bottom of hood.
- Secure hood with 4 screws through remaining 4 holes in hood.
- Install transition with 2 screws.

Connect Vent System (for vented installations only)

- Fit vent system over transition piece.



- A. Vent system
 B. Transition piece

- Seal connection with clamps.

Make Electrical Connection

⚠ WARNING



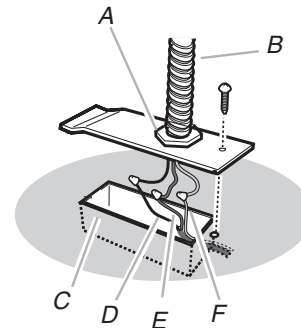
Electrical Shock Hazard

Disconnect power before servicing.

Replace all parts and panels before operating.

Failure to do so can result in death or electrical shock.

- Disconnect power.
- Remove terminal box cover.
- Remove the knockout in the terminal box cover and install the UL-listed or CSA approved 1/2" strain relief.
- Run 3 wires, black, white and green (14AWG) in 1/2" conduit from service panel to terminal box.



- A. UL-listed or CSA approved strain relief
 B. 1/2" conduit
 C. Terminal box
 D. Black wires
 E. Green (or bare) wire connected to yellow-green wire
 F. White wires

- Use UL listed wire connectors and connect black wires together.
- Use UL listed wire connectors and connect white wires together.

⚠ WARNING



Electrical Shock Hazard

Electrically ground blower.

Connect ground wire to green and yellow ground wire in terminal box.

Failure to do so can result in death or electrical shock.

- Connect ground wire to green and yellow ground wire in terminal box using UL listed wire connectors.

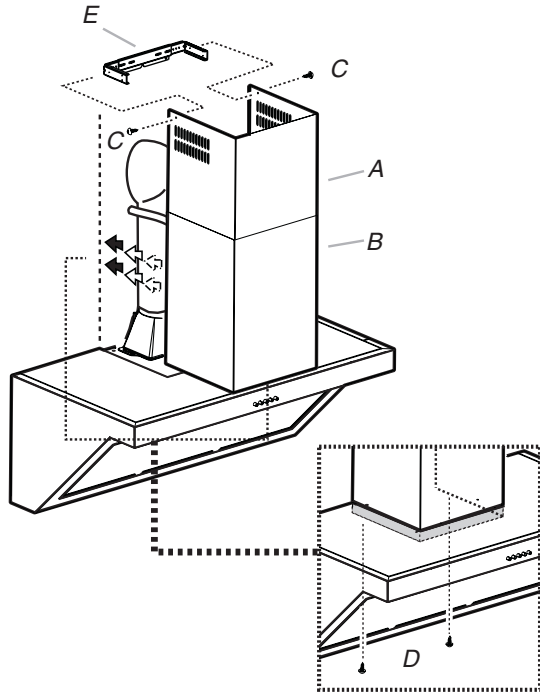
8. Replace terminal box cover.
9. Check all light bulbs to make sure they are secure in their sockets.
10. Reconnect power.

Complete Installation

1. Install vent cover.

Push lower cover down onto hood and lift upper cover to ceiling and install with two 2.9 x 9.5 mm screws.

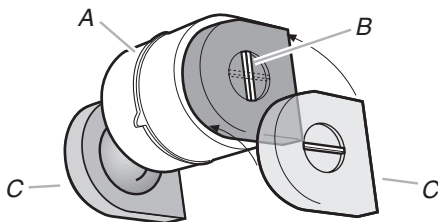
Connect the upper and lower vent covers with two 3.5 x 9.5 mm screws apiece from the inside of the hood.



- A. Upper vent cover
- B. Lower vent cover
- C. 2.9 x 9.5 mm screws
- D. 3.5 x 9.5 mm screws
- E. Bracket

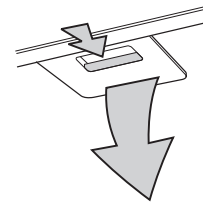
Install Filters

1. For non-vented (recirculating) installations, install charcoal filter over grille on blower housing and turn filter handle clockwise. Repeat with other charcoal filter.

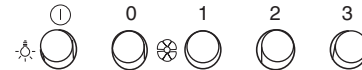


- A. Blower housing
- B. Filter handle
- C. Charcoal filters

2. For all installations, insert back edge or metal filter into rear channel of the filter opening.
3. Push handle toward the rear and push filter up.
4. Pull filter toward the front and insert into front channel.



Check Operation



1. Press the light button . The light should turn on.
2. Press the "1" button. The blower should operate.
3. Press the "1" button for low speed, "2" button for medium speed or "3" button for high speed.
4. Press the "0" button to turn off the blower.
5. If range hood does not operate, check to see whether a circuit breaker has tripped or a household fuse has blown.
6. Disconnect power supply.
7. Check that the wiring is correct.
8. Replace all parts and panels before operating.
9. Reconnect power.

NOTE: To get the most efficient use from your new range hood, read the "Range Hood Use" section.

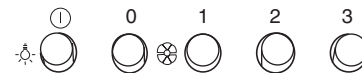
RANGE HOOD USE

Operation

The canopy hood is designed to remove smoke, cooking vapors and odors from the cooktop area. For best results, start the hood before cooking and allow it to operate several minutes after the cooking is complete to clear all smoke and odors from the kitchen.

Hood control panel

The hood controls are located on the front side of the canopy.



Operating the light

1. Press the light button to turn on the light.
2. Press the light button to turn off the light.

Operating the blower and adjusting blower speed

1. Press the "1" button for low speed, "2" button for medium speed, "3" button for high speed.
2. Press the "0" button to turn off the blower.

RANGE HOOD CARE

Cleaning and Maintenance

IMPORTANT: Clean the hood and grease filters frequently according to the following instructions. Replace grease filters before operating hood.

Be sure lights are cool before cleaning the hood.

Exterior surfaces

Clean the range hood with a mild detergent and soft cloth. Do not use abrasive cleanser or steel-wool pads.

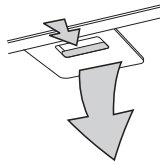
Metal grease filters

The filters should be washed frequently. Place metal filters in dishwasher or hot detergent solution to clean.

Drain water through edge holes and let each filter dry thoroughly before replacing it.

To Remove Metal Filters

1. Turn off blower and lights. Check that halogen lamp is cool.
2. Push handle toward the rear and pull downward.
3. Pull filter toward the front.



To Replace Metal Grease Filter

1. Insert back edge of filter into rear channel of the filter opening.
2. Push handle toward the rear and push filter up.
3. Pull filter toward the front and insert into front channel.

Charcoal Filters - for non-vented (recirculating) installations

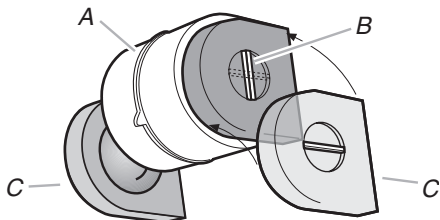
The charcoal filters are not washable nor reusable.

They should be changed every 6 months in normal use.

The charcoal filters capture unpleasant cooking odors.

To Install Charcoal Filters

1. Turn blower and lights off. Check that halogen lamp is cool.
2. Remove the metal grease filters by pushing handle toward the rear and pull downward.
3. Pull filter toward front and set aside.
4. Repeat to remove other metal filter.
5. Install charcoal filter over grille on blower housing and turn filter handle clockwise.



A. Blower housing
B. Filter handle
C. Charcoal filters

6. Repeat to install other charcoal filter.

To Replace Metal Grease Filters

1. Insert back edge of filter into rear channel of the filter opening.
2. Push handle toward the rear and push filter up.
3. Pull filter toward the front and insert into front channel.

To Replace Charcoal Filters

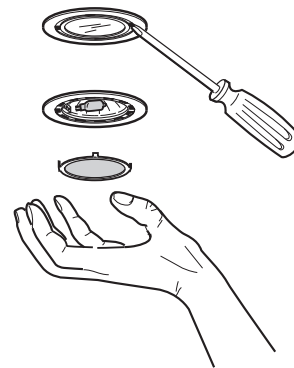
1. Turn blower and lights off. Check that halogen lamp is cool.
2. Remove the metal grease filters by pushing handle toward the rear and pull downward.
3. Pull filter toward front and set aside.
4. Repeat to remove other filter.
5. Turn charcoal filter handle counterclockwise.
6. Remove and discard charcoal filter.
7. Repeat to remove other charcoal filter.
8. Install replacement charcoal filter over grille in blower housing and turn filter handle clockwise.
9. Repeat to install other charcoal filter.

Replacing a Halogen Lamp

Turn off the range hood and allow the halogen lamp to cool. Replace using a tissue.

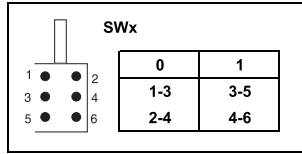
If new lights do not operate, make sure the lamps are inserted correctly before calling service.

1. Disconnect power.
2. Use a flat-blade screwdriver and gently pry the light cover loose.

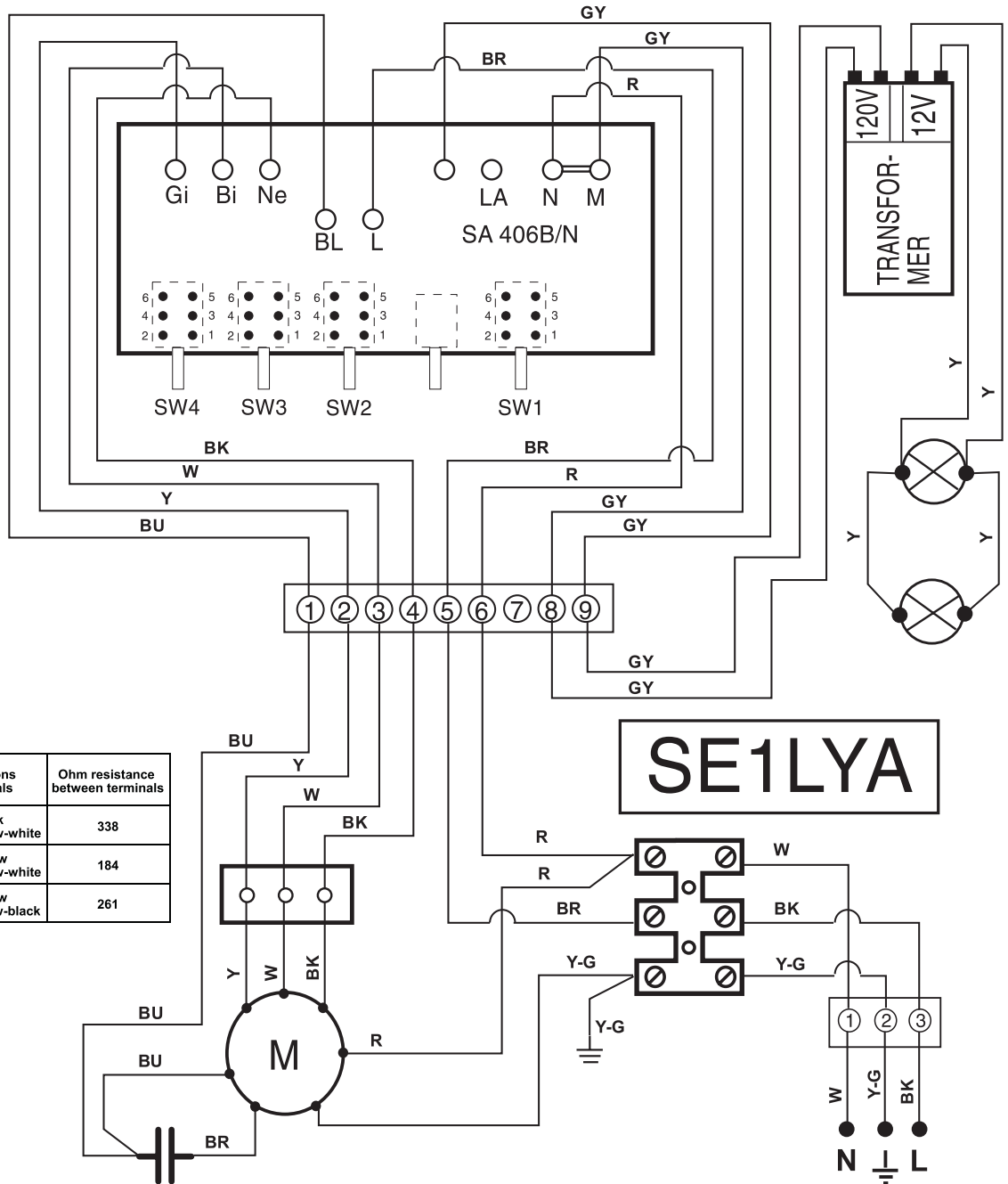


3. Remove the lamp and replace with a 12-volt, 20-watt maximum, halogen lamp made for a G-4 base.
4. Replace the light cover.

WIRING DIAGRAM



	SW1	SW2	SW3	SW4	light motor
Light ON	1	x	x	x	0
Light OFF	0	x	x	x	0
Vel 1	x	1	0	0	1
Vel 2	x	0	1	0	1
Vel 3	x	0	0	1	1



Motor speed	Connections to terminals	Ohm resistance between terminals
1	red-black bridge:yellow-white	338
2	red-yellow bridge:yellow-white	184
3	red-yellow bridge yellow-black	261

ASSISTANCE OR SERVICE

When calling for assistance or service, please know the purchase date and the complete model and serial number of your appliance. This information will help us to better respond to your request.

If you need replacement parts

If you need to order replacement parts, we recommend that you use only factory specified parts. Factory specified parts will fit right and work right because they are made with the same precision used to build every new appliance. To locate factory specified parts replacement parts in your area, call us or your nearest Whirlpool-designated service center.

In the U.S.A.

Call the Whirlpool Customer eXperience Center toll-free: **1-800-253-1301**.

Our consultants provide assistance with:

- Features and specifications on our full line of appliances.
- Installation information.
- Use and maintenance procedures.
- Accessory and repair parts sales.
- Specialized customer assistance (Spanish speaking, hearing impaired, limited vision, etc.).
- Referrals to local dealers, repair parts distributors and service companies. Whirlpool designated service technicians are trained to fulfill the product warranty and provide after-warranty service, anywhere in the United States.

To locate the Whirlpool designated service company in your area, you can also look in your telephone directory Yellow Pages.

For further assistance

If you need further assistance, you can write to Whirlpool Corporation with any questions or concerns at:

Whirlpool Brand Home Appliances
Customer eXperience Center
553 Benson Road
Benton Harbor, MI 49022-2692

Please include a daytime phone number in your correspondence.

Accessories List

Charcoal Filter Kit

Part Number 4396848

In Canada

Call the Whirlpool Canada LP Customer Interaction Centre toll free: **1-800-807-6777**.

Our consultants provide assistance with:

- Features and specifications on our full line of appliances.
- Use and maintenance procedures.
- Accessory and repair parts sales.
- Referrals to local dealers, repair parts distributors, and service companies. Whirlpool Canada LP designated service technicians are trained to fulfill the product warranty and provide after-warranty service, anywhere in Canada.

For further assistance

If you need further assistance, you can write to Whirlpool Canada LP with any questions or concerns at:

Customer Interaction Centre
Whirlpool Canada LP
1901 Minnesota Court
Mississauga, Ontario L5N 3A7

Please include a daytime phone number in your correspondence.

Accessories List

Charcoal Filter Kit

Part Number 4396848

WHIRLPOOL CORPORATION MAJOR APPLIANCE WARRANTY

ONE YEAR LIMITED WARRANTY

For one year from the date of purchase, when this major appliance is operated and maintained according to instructions attached to or furnished with the product, Whirlpool Corporation or Whirlpool Canada LP (hereafter "Whirlpool") will pay for Factory Specified Parts and repair labor to correct defects in materials or workmanship. Service must be provided by a Whirlpool designated service company. This limited warranty applies only when the major appliance is used in the country in which it was purchased.

ITEMS WHIRLPOOL WILL NOT PAY FOR

1. Service calls to correct the installation of your major appliance, to instruct you how to use your major appliance, to replace or repair house fuses or to correct house wiring or plumbing.
 2. Service calls to repair or replace appliance light bulbs, air filters or water filters. Those consumable parts are excluded from warranty coverage.
 3. Repairs when your major appliance is used for other than normal, single-family household use.
 4. Damage resulting from accident, alteration, misuse, abuse, fire, flood, acts of God, improper installation, installation not in accordance with electrical or plumbing codes, or use of products not approved by Whirlpool.
 5. Any food loss due to refrigerator or freezer product failures.
 6. Replacement parts or repair labor costs for units operated outside the United States or Canada.
 7. Pickup and delivery. This major appliance is designed to be repaired in the home.
 8. Repairs to parts or systems resulting from unauthorized modifications made to the appliance.
 9. Expenses for travel and transportation for product service in remote locations.
 10. The removal and reinstallation of your appliance if it is installed in an inaccessible location or is not installed in accordance with published installation instructions.
 11. Replacement parts or repair labor costs when the major appliance is used in a country other than the country in which it was purchased.
-

DISCLAIMER OF IMPLIED WARRANTIES; LIMITATION OF REMEDIES

CUSTOMER'S SOLE AND EXCLUSIVE REMEDY UNDER THIS LIMITED WARRANTY SHALL BE PRODUCT REPAIR AS PROVIDED HEREIN. IMPLIED WARRANTIES, INCLUDING WARRANTIES OF MERCHANTABILITY OR FITNESS FOR A PARTICULAR PURPOSE, ARE LIMITED TO ONE YEAR OR THE SHORTEST PERIOD ALLOWED BY LAW. WHIRLPOOL SHALL NOT BE LIABLE FOR INCIDENTAL OR CONSEQUENTIAL DAMAGES. SOME STATES AND PROVINCES DO NOT ALLOW THE EXCLUSION OR LIMITATION OF INCIDENTAL OR CONSEQUENTIAL DAMAGES, OR LIMITATIONS ON THE DURATION OF IMPLIED WARRANTIES OF MERCHANTABILITY OR FITNESS, SO THESE EXCLUSIONS OR LIMITATIONS MAY NOT APPLY TO YOU. THIS WARRANTY GIVES YOU SPECIFIC LEGAL RIGHTS AND YOU MAY ALSO HAVE OTHER RIGHTS, WHICH VARY FROM STATE TO STATE OR PROVINCE TO PROVINCE.

Outside the 50 United States and Canada, this warranty does not apply. Contact your authorized Whirlpool dealer to determine if another warranty applies.

If you need service, first see the "Troubleshooting" section of the Use & Care Guide. After checking "Troubleshooting," additional help can be found by checking the "Assistance or Service" section or by calling Whirlpool. In the U.S.A., call **1-800-253-1301**. In Canada, call **1-800-807-6777**.

12/05

Keep this book and your sales slip together for future reference. You must provide proof of purchase or installation date for in-warranty service.

Write down the following information about your major appliance to better help you obtain assistance or service if you ever need it. You will need to know your complete model number and serial number. You can find this information on the model and serial number label located on the product.

Dealer name _____
Address _____
Phone number _____
Model number _____
Serial number _____
Purchase date _____

SÉCURITÉ DE LA HOTTE DE CUISINIÈRE

Votre sécurité et celle des autres est très importante.

Nous donnons de nombreux messages de sécurité importants dans ce manuel et sur votre appareil ménager. Assurez-vous de toujours lire tous les messages de sécurité et de vous y conformer.



Voici le symbole d'alerte de sécurité.

Ce symbole d'alerte de sécurité vous signale les dangers potentiels de décès et de blessures graves à vous et à d'autres.

Tous les messages de sécurité suivront le symbole d'alerte de sécurité et le mot "DANGER" ou "AVERTISSEMENT". Ces mots signifient :

⚠ DANGER

Risque possible de décès ou de blessure grave si vous ne suivez pas immédiatement les instructions.

⚠ AVERTISSEMENT

Risque possible de décès ou de blessure grave si vous ne suivez pas les instructions.

Tous les messages de sécurité vous diront quel est le danger potentiel et vous disent comment réduire le risque de blessure et ce qui peut se produire en cas de non-respect des instructions.

IMPORTANTES INSTRUCTIONS DE SÉCURITÉ

AVERTISSEMENT : POUR RÉDUIRE LE RISQUE D'INCENDIE, CHOC ÉLECTRIQUE OU DOMMAGES CORPORELS, RESPECTER LES INSTRUCTIONS SUIVANTES :

- Utiliser cet appareil uniquement dans les applications envisagées par le fabricant. Pour toute question, contacter le fabricant.
- Avant d'entreprendre un travail d'entretien ou de nettoyage, interrompre l'alimentation de la hotte au niveau du tableau de disjoncteurs, et verrouiller le tableau de disjoncteurs pour empêcher tout rétablissement accidentel de l'alimentation du circuit. Lorsqu'il n'est pas possible de verrouiller le tableau de disjoncteurs, placer sur le tableau de disjoncteurs une étiquette d'avertissement proéminente interdisant le rétablissement de l'alimentation.
- Tout travail d'installation ou câblage électrique doit être réalisé par une personne qualifiée, dans le respect des prescriptions de tous les codes et normes applicables, y compris les codes du bâtiment et de protection contre les incendies.
- Une source d'air de débit suffisant est nécessaire pour le fonctionnement correct de tout appareil à gaz (combustion et évacuation des gaz à combustion par la cheminée), pour qu'il n'y ait pas de reflux des gaz de combustion. Respecter les directives du fabricant de l'équipement de chauffage et les prescriptions des normes de sécurité - comme celles publiées par la National Fire Protection Association (NFPA) et l'American Society for Heating, Refrigeration and Air Conditioning Engineers (ASHRAE), et les prescriptions des autorités réglementaires locales.
- Lors d'opérations de découpage et de perçage dans un mur ou un plafond, veiller à ne pas endommager les câblages électriques ou canalisations qui peuvent s'y trouver.
- Les systèmes d'évacuation doivent toujours décharger l'air à l'extérieur.

MISE EN GARDE : Cet appareil est conçu uniquement pour la ventilation générale. Ne pas l'utiliser pour l'extraction de matières ou vapeurs dangereuses ou explosives.

MISE EN GARDE : Pour minimiser le risque d'incendie et évacuer adéquatement les gaz, veiller à acheminer l'air aspiré par un conduit jusqu'à l'extérieur - ne pas décharger l'air aspiré dans un espace vide du bâtiment comme une cavité murale, un plafond, un grenier, un vide sanitaire ou un garage.

AVERTISSEMENT : POUR RÉDUIRE LE RISQUE D'INCENDIE, UTILISER UNIQUEMENT DES CONDUITS MÉTALLIQUES.

AVERTISSEMENT : POUR MINIMISER LE RISQUE D'UN FEU DE GRAISSE SUR LA CUISINIÈRE :

- Ne jamais laisser un élément de surface fonctionner à puissance de chauffage maximale sans surveillance. Un renversement/débordement de matière grasseuse pourrait provoquer une inflammation et la génération de fumée. Utiliser une puissance de chauffage moyenne ou basse pour le chauffage d'huile.
- Veiller à toujours faire fonctionner le ventilateur de la hotte lors de la cuisson avec une puissance de chauffage élevée ou lors de la cuisson d'un mets à flamber (à savoir crêpes Suzette, cerise jubilee, steak au poivre flambé).
- Nettoyer fréquemment les ventilateurs d'extraction. Veiller à ne pas laisser la graisse s'accumuler sur les surfaces du ventilateur ou des filtres.
- Utiliser toujours un ustensile de taille appropriée. Utiliser toujours un ustensile adapté à la taille de l'élément chauffant.

AVERTISSEMENT : POUR RÉDUIRE LE RISQUE DE DOMMAGES CORPORELS APRÈS LE DÉCLENCHEMENT D'UN FEU DE GRAISSE SUR LA CUISINIÈRE, APPLIQUER LES RECOMMANDATIONS SUIVANTES :^a

- Placer sur le récipient un couvercle bien ajusté, une tôle à biscuits ou un plateau métallique **POUR ÉTOUFFER LES FLAMMES**, puis éteindre le brûleur à gaz ou électrique. **VEILLER À ÉVITER LES BRÛLURES**. Si les flammes ne s'éteignent pas immédiatement, **ÉVACUER LA PIÈCE ET APPELER LES POMPIERS**.
- **NE JAMAIS PRENDRE EN MAIN UN RÉCIPIENT ENFLAMMÉ** - vous risquez de vous brûler.
- **NE PAS UTILISER D'EAU**, ni un torchon humide - ceci pourrait provoquer une explosion de vapeur brûlante.
- Utiliser un extincteur **SEULEMENT** si :
 - Il s'agit d'un extincteur de classe ABC, dont on connaît le fonctionnement.
 - Il s'agit d'un petit feu encore limité à l'endroit où il s'est déclaré.
 - Les pompiers ont été contactés.
 - Il est possible de garder le dos orienté vers une sortie pendant l'opération de lutte contre le feu.

^aRecommandations tirées des conseils de sécurité en cas d'incendie de cuisine publiés par la NFPA.

- **AVERTISSEMENT** : Pour réduire le risque d'incendie ou de choc électrique, ne pas utiliser ce ventilateur avec un quelconque dispositif de réglage de la vitesse à semi-conducteurs.

CONSERVEZ CES INSTRUCTIONS

EXIGENCES D'INSTALLATION

Outillage et pièces

Rassembler les outils et pièces nécessaires avant de commencer l'installation. Lire et suivre les instructions fournies avec les outils indiqués ici.

Outillage nécessaire

- Niveau
- Perceuse avec forets de 1¼" (3 cm), ⅜" (9,5 mm), ⅞" (2,75 mm) et ⅛" (3 mm)
- Crayon
- Pince à dénuder ou couteau utilitaire
- Mètre-ruban ou règle
- Pince
- Pistolet à calfeutrage et composé de calfeutrage résistant aux intempéries
- Brides pour conduit d'évacuation
- Scie sauteuse ou scie à guichet
- Tournevis à lame plate
- Cisaille de ferblantier
- Tournevis Phillips

Pièces nécessaires

- Conduit de dia. ½"
- Deux serre-câble de ½" (12,7 mm) - homologation UL ou CSA
- 3 connecteurs de fils homologués UL
- 1 bouche de décharge (décharge à travers le mur ou à travers le toit)
- Conduit d'évacuation métallique
- Ensemble de filtre à charbon (pièce n° 4396848) - seulement pour une installation sans décharge à l'extérieur (recyclage). Voir la section "Assistance ou service" pour placer une commande.

Pièces fournies

Retirer les pièces des emballages. Vérifier que toutes les pièces sont présentes.

- Hotte avec ventilateur et lampes installés
- Déflecteur pour installation sans décharge à l'extérieur (recyclage)
- Raccord de transition en plastique avec clapet anti-reflux installé
- Sachet de documents

- Filtre(s) - selon le modèle et la dimension
- 2 crochets de montage
- Bride de support du cache-conduit
- Gabarit de montage
- Cache-conduit - 2 pièces
- 4 vis de 4 x 8 mm
- 10 vis de 3,5 x 9,5 mm
- 4 vis de 5 x 35 mm
- 2 vis de 2,9 x 9,5 mm
- 2 vis de 6 x 70 mm

Exigences d'emplacement

IMPORTANT : Observer les dispositions de tous les codes et règlements en vigueur.

Confier l'installation de la hotte à un technicien qualifié. C'est à l'installateur qu'incombe la responsabilité de respecter les distances de séparation exigées, spécifiées sur la plaque signalétique de l'appareil. La plaque signalétique de l'appareil est située derrière le filtre de gauche, sur la paroi arrière de la hotte.

On doit toujours installer la hotte à distance des sources de courant d'air (fenêtres, portes et bouches de chauffage).

Respecter les dimensions indiquées pour les ouvertures à découper dans les placards; ces dimensions tiennent compte des valeurs minimales des dégagements de séparation.

On doit disposer d'une prise de courant électrique reliée à la terre. Voir la section "Spécifications électriques".

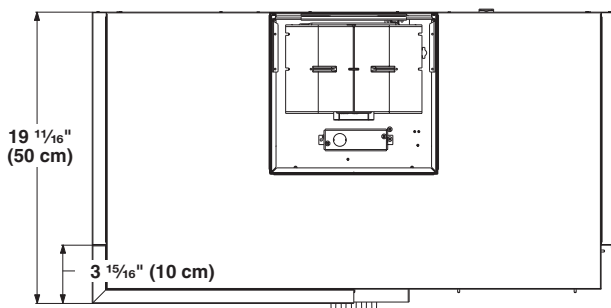
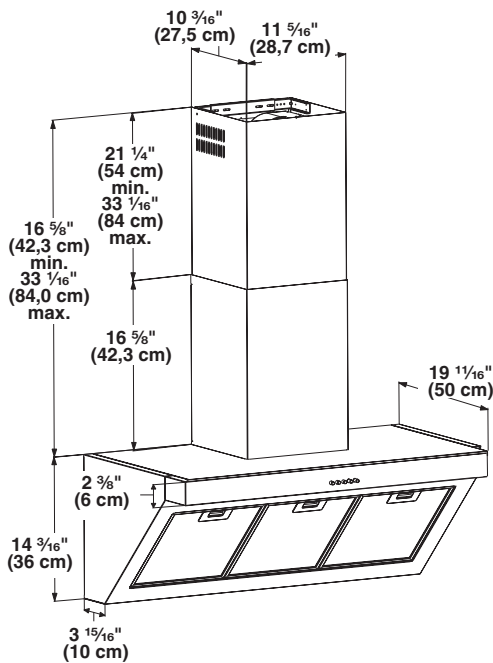
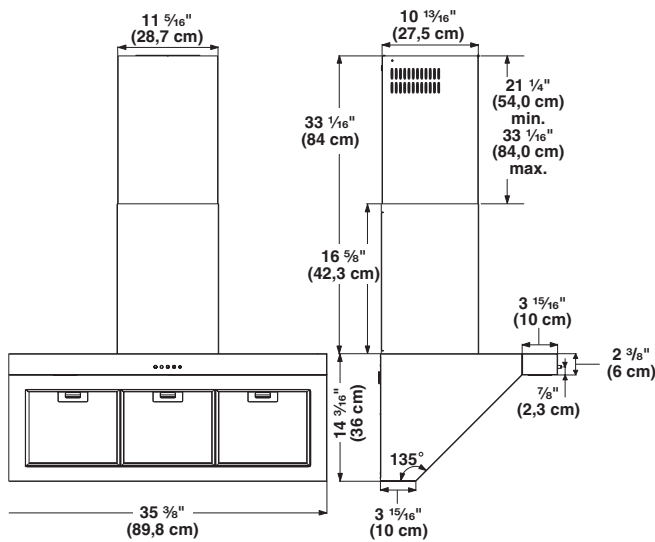
La hotte est configurée à l'usine pour la décharge à travers le toit ou un mur. Pour une installation sans décharge à l'extérieur (recyclage), voir "Installation sans décharge à l'extérieur (recyclage)" à la section "Raccordement du circuit d'évacuation". L'ensemble Filtre à charbon (pièce numéro 4396848) est disponible chez votre marchand ou chez un distributeur de pièces autorisé.

On doit assurer l'étanchéité au niveau de chaque ouverture découpée dans le plafond ou un mur traversé par l'équipement de la hotte.

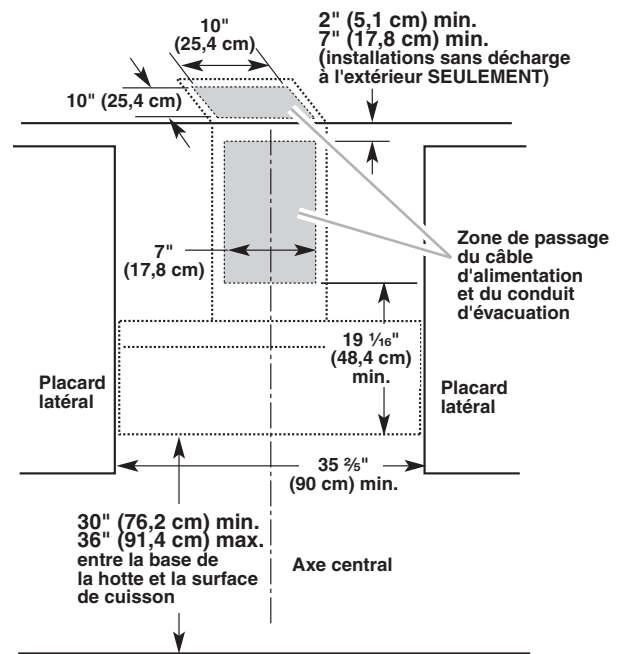
Installation dans une résidence mobile

L'installation de cette hotte doit satisfaire aux exigences de la norme Manufactured Home Construction Safety Standards, Titre 24 CFR, partie 328 (anciennement Federal Standard for Mobile Home Construction and Safety, Titre 24, HUD, partie 280); lorsque cette norme n'est pas applicable, l'installation doit satisfaire aux critères de la plus récente édition de la norme Manufactured Home Installation 1982 (Manufactured Home Sites, Communities and Setups) ANSI A225.1/NFPA 501A*, ou des codes et règlements locaux.

Dimensions du produit



Dimensions à respecter lors de l'installation



Exigences concernant l'évacuation

- Le système d'évacuation doit décharger l'air à l'extérieur, excepté pour les installations sans décharge à l'extérieur.
- Ne pas terminer le conduit d'évacuation dans un grenier ou dans un autre espace fermé.
- Ne pas utiliser une bouche de décharge murale de 4" (10,2 cm) normalement utilisée pour un équipement de buanderie.
- Utiliser un conduit métallique uniquement. Un conduit en métal rigide est recommandé. Ne pas utiliser de conduit de plastique ou de métal très mince.
- Le système d'évacuation doit comporter un clapet. Si la bouche de décharge murale ou par le toit comporte un clapet, ne pas utiliser le clapet fourni avec la hotte de cuisinière.

Pour un fonctionnement efficace et silencieux :

- Utiliser autant que possible des sections droites et minimiser le nombre de coudes.
- Ne pas utiliser plus de trois coudes à 90° .
- Veiller à ce qu'il y ait une section droite de conduit de 24" (61 cm) ou plus entre deux coudes, si on doit utiliser plus de un raccord coudé.
- Ne pas installer 2 coudes ensemble.
- Au niveau de chaque jointure du conduit de décharge, assurer l'étanchéité avec des brides.
- Autour de la bouche de décharge à l'extérieur, assurer l'étanchéité avec un produit de calfeutrage.
- La taille du conduit doit être uniforme.

Installations pour régions à climat froid

On doit installer un clapet anti-reflux additionnel pour minimiser le reflux d'air froid. Un élément non métallique d'isolation thermique doit être installé pour minimiser la conduction des températures extérieures par l'intermédiaire du conduit d'évacuation. Le clapet anti-reflux doit être placé du côté air froid par rapport à l'élément d'isolation thermique.

L'élément d'isolation thermique doit être aussi proche que possible de l'endroit où le système d'évacuation s'introduit dans la partie chauffée de la maison.

Renouvellement de l'air

Le code du bâtiment local peut exiger l'emploi d'un système d'appoint d'air lors de l'emploi d'un ventilateur d'extraction dont la capacité d'aspiration est supérieure à un débit (pieds cubes par minute) spécifié. Le débit spécifié, pieds cubes par minute, est variable d'une juridiction à une autre. Consulter un professionnel des installations de chauffage ventilation/climatisation au sujet des exigences spécifiques applicables dans la juridiction locale.

Méthodes d'évacuation

Cette hotte est configurée à l'usine pour la décharge de l'air aspiré à travers le toit ou à travers un mur.

Un circuit d'évacuation en conduit rond de 6" (15,2 cm) est nécessaire pour l'installation (non fourni). La hotte comporte une ouverture de sortie de diamètre 6" (15,2 cm).

REMARQUE : On déconseille l'emploi d'un conduit flexible. Un conduit flexible peut causer une rétro-pression et des turbulences de l'air, ce qui réduit considérablement la performance.

La sortie à l'extérieur du circuit d'évacuation peut se faire à travers le toit ou à travers un mur. Pour la sortie à travers un mur, on doit employer un raccord coudé à 90°.

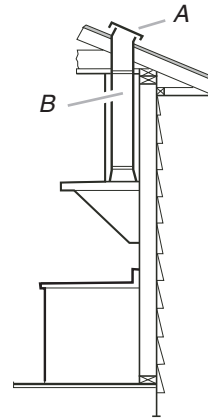
Décharge par l'arrière

Le raccord coudé à 90° peut être installé immédiatement au-dessus de la hotte.

Installation sans décharge à l'extérieur (recyclage)

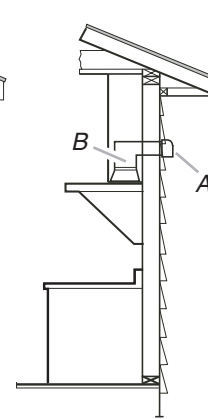
S'il n'est pas possible d'évacuer les fumées et vapeurs de cuisson à l'extérieur, on peut employer la version "installation sans décharge à l'extérieur (recyclage)" de la hotte dotée d'un filtre à charbon actif et du déflecteur. Les vapeurs/fumées sont alors recyclées à travers la grille supérieure.

Décharge à travers le toit



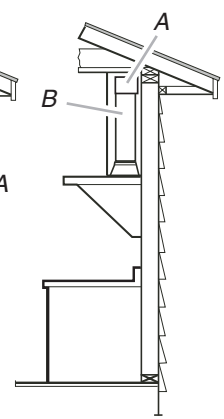
A. Bouche de décharge sur toit
B. Conduit dia. 6" (15,2 cm)

Décharge à travers le mur



A. Bouche de décharge murale
B. Conduit dia. 6" (15,2 cm)



Installation sans décharge à l'extérieur (recyclage)



A. Déflecteur
B. Conduit dia. 6" (15,2 cm)

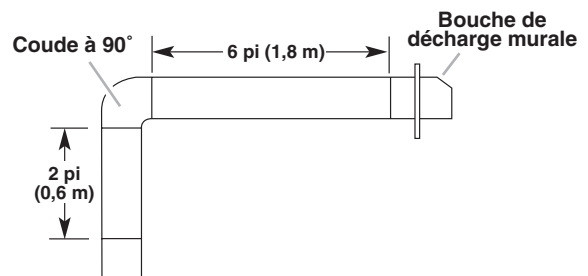
Calcul de la longueur effective du circuit d'évacuation

Pour calculer la longueur effective du circuit d'évacuation nécessaire, additionner les longueurs équivalentes (pieds/mètres) de tous les composants utilisés dans le système.

Composant	Conduit de diamètre 6" (15,2 cm)	
coude à 45°	2,5 pi (0,8 m)	
coude à 90°	5 pi (1,5 m)	

La longueur équivalente maximum est de 35 pi (10,7 m).

Exemple de système de décharge



Dans l'exemple suivant, la longueur théorique du circuit est inférieure au maximum de 35 pi (10,7 m).

1 - coude à 90°	= 5 pi (1,5 m)
1 - bouche de décharge murale	= 0 pi (0 m)
section droite de 8 pi (2,4 m)	= 8 pi (2,4 m)
Longueur du système	= 13 pi (3,9 m)

Spécifications électriques

IMPORTANT : Observer les dispositions de tous les codes et règlements en vigueur. Conserver les instructions d'installation pour consultation par l'inspecteur des installations électriques.

C'est au client qu'incombe la responsabilité de contacter un électricien qualifié et de veiller à ce que l'installation électrique soit adéquate et réalisée en conformité avec les prescriptions de la plus récente édition de la norme National Electrical Code, ANSI/NFPA 70, ou de la norme CSA C22.1-94, Code canadien de l'électricité, partie 1 et C22.2 N° 0-M91, et de tous les codes et règlements locaux en vigueur.

Si les codes le permettent et si on utilise un conducteur distinct de liaison à la terre, il est recommandé qu'un électricien qualifié vérifie la qualité de la liaison à la terre.

Pour obtenir un exemplaire de la norme des codes ci-dessus, contacter :

National Fire Protection Association
One Batterymarch Park
Quincy, MA 02269
CSA International
8501 East Pleasant Valley Road
Cleveland, OH 44131-5575

- L'appareil doit être alimenté par un circuit de 120 V, 60 Hz, CA seulement, 15 ampères, protégé par fusible.
- Ne pas utiliser une tuyauterie de gaz pour le raccordement à la terre.
- En cas de doute quant à la qualité de la liaison à la terre de la hotte de la cuisinière, consulter un électricien qualifié.
- Ne pas installer un fusible dans le conducteur neutre ou le conducteur de liaison à la terre.
- La hotte doit être raccordée au réseau électrique uniquement avec des conducteurs de cuivre.
- La hotte doit être raccordée directement au coupe-circuit avec fusible ou au disjoncteur par l'intermédiaire de câble à conducteurs de cuivre, à blindage métallique flexible ou à gaine non-métallique. Il est recommandé de raccorder la hotte sur un circuit distinct exclusif à cet appareil.
- Le calibre des conducteurs (cuivre seulement) et les connexions doivent être compatibles avec la demande de courant de l'appareil spécifiée sur la plaque signalétique. La plaque signalétique de l'appareil est située derrière le filtre, sur la paroi arrière de la hotte.
- Le calibre des conducteurs doit satisfaire les exigences de la plus récente édition de la norme National Electrical Code, ANSI/NFPA 70, ou de la norme CSA C22.1-94, Code canadien de l'électricité, partie 1 et C22.2 N° 0-M91 et de tous les codes et règlements en vigueur.
- Un serre-câble de 1/2" (12,7 mm) (homologation UL ou CSA) doit être installé à chaque extrémité du câble d'alimentation (sur la hotte et sur le boîtier de distribution).

INSTRUCTIONS D'INSTALLATION

Préparation de l'emplacement

- On recommande que le circuit d'évacuation soit installé avant l'installation de la hotte.
- On ne doit couper un poteau de colombage ou une solive que si c'est absolument nécessaire. Dans ce cas, on devra construire une structure de support appropriée.
- Avant d'exécuter les découpages, vérifier la disponibilité d'un espace de passage suffisant dans le plafond ou le mur pour le conduit d'évacuation.
- Avant de sélectionner la hotte à installer, mesurer la hauteur libre sous plafond et la hauteur maximum disponible sous la hotte.
- 3. Sélectionner une surface plane pour l'assemblage de la hotte. Recouvrir cette surface d'un matériau de protection.

⚠ AVERTISSEMENT

Risque du poids excessif

Utiliser deux ou plus de personnes pour déplacer et installer la cuisinière.

Le non-respect de cette instruction peut causer une blessure au dos ou d'autre blessure.

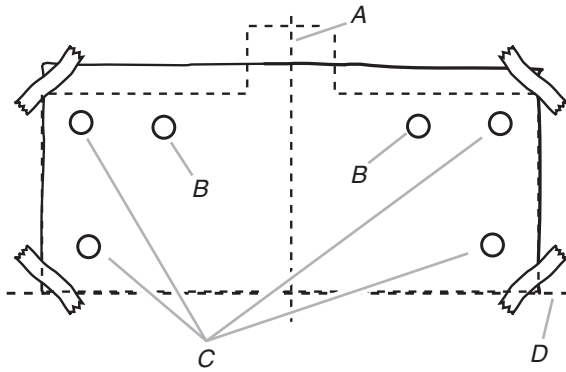
⚠ AVERTISSEMENT

Risque du poids excessif

Utiliser deux ou plus de personnes pour déplacer et installer la hotte de la cuisinière.

Le non-respect de cette instruction peut causer une blessure au dos ou d'autre blessure.

1. Si possible, déconnecter la cuisinière autonome ou encastrée, et déplacer celle-ci hors de l'espace d'installation entre les placards, pour faciliter l'accès au mur arrière. Sinon, placer une épaisse couverture de protection sur le plan de travail, la cuisinière ou la table de cuisson pour la protection contre les dommages ou souillures.
2. Déterminer la méthode d'extraction à utiliser : décharge à travers le mur ou le toit, ou recyclage.
4. À l'aide de deux personnes ou plus, soulever la hotte de la cuisinière et la poser sur une surface de protection.
5. Déterminer et marquer la position de l'axe central sur le mur où la hotte sera installée.
6. Choisir une hauteur de montage - minimum 30" (76,2 cm) et maximum suggéré 36" (91,4 cm) - au-dessus de la cuisinière jusqu'au fond de la hotte et tracer une ligne de référence sur le mur.
7. Fixer le gabarit en place avec du ruban adhésif; aligner l'axe central du gabarit et le bas du gabarit avec la ligne correspondant au bas de la hotte, et avec l'axe central déjà tracé sur le mur.



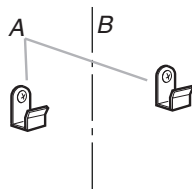
A. Axe central
 B. Emplacement du crochet de montage
 C. Emplacements des organes de fixation
 D. Ligne de référence - hauteur de montage

8. À l'aide du gabarit, marquer sur le mur le centre des 6 trous des organes de fixation.

IMPORTANT : Toutes les vis doivent être vissées dans du bois.

Enlever le gabarit.

9. Percer des avant-trous de $\frac{7}{64}$ " (2,75 mm) sur tous les emplacements pour la pose des vis dans du bois.
10. Déterminer et marquer toutes les lignes de découpage nécessaires sur le mur pour le passage du circuit d'évacuation. Installer le système d'évacuation avant la hotte. Voir la section "Exigences concernant l'évacuation".
11. Déterminer la hauteur appropriée pour le conduit de $\frac{1}{2}$ "; percer un trou de $1\frac{1}{4}$ " (3,2 cm) à cet endroit.
12. Faire passer le câblage dans le conduit de $\frac{1}{2}$ " - respecter les prescriptions des codes en vigueur (Code national de l'électricité, normes CSA ou codes/règlements locaux); il faut que la longueur du conduit de $\frac{1}{2}$ " et des conducteurs soit suffisante depuis le tableau de distribution (avec fusibles ou disjoncteurs) pour réaliser facilement le raccordement dans le boîtier de connexion de la hotte.
13. Utiliser un calfeutrant pour assurer l'étanchéité au niveau de chaque ouverture.
- REMARQUE :** Ne pas remettre le système sous tension avant d'avoir complètement terminé l'installation.
14. Fixer 2 crochets de montage au mur aux emplacements marqués sur le gabarit.

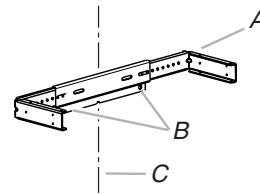


A. Crochets de montage
 B. Axe central sur le mur

Installation de la bride de cache-conduit

Installation avec utilisation de télescope et des sections supérieure et inférieure du cache-conduit

1. Positionner la bride de cache-conduit sur le mur à environ $\frac{1}{8}$ " (3 mm) du plafond.
2. Faire des repères aux emplacements des trous.

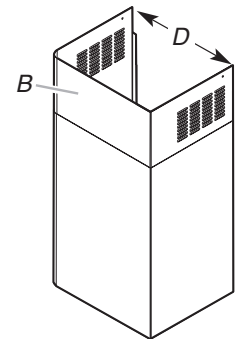
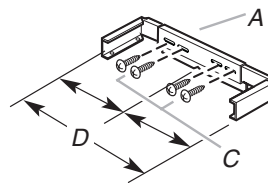


A. Bride de cache-conduit
 B. Emplacements des trous de montage
 C. Axe central sur le mur

3. Percer des trous de $\frac{3}{8}$ " (9,5 mm) pour les chevilles et insérer ces dernières en affleurement avec le mur.

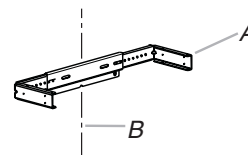
Assemblage et installation de la bride de cache-conduit

4. Assembler les 3 composants de la bride de cache-conduit; utiliser 4 vis de 4 x 8 mm fournies. La taille de la bride assemblée doit correspondre à la dimension interne de la section supérieure du cache-conduit.



A. Bride de cache-conduit
 B. Cache-conduit - section supérieure
 C. Vis de 4 x 8 mm
 D. Largeur réglable

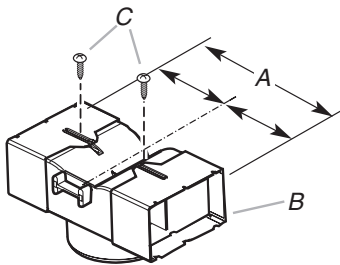
5. Installer la bride de cache-conduit sur le mur à environ $\frac{1}{8}$ " (3 mm) du plafond avec les chevilles d'ancrage et les vis de 6 x 70 mm fournies.



A. Bride de cache-conduit
 B. Axe central sur le mur

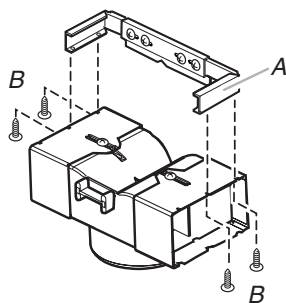
Installation sans décharge à l'extérieur (recyclage)

- Utiliser les 2 vis de 3,5 x 9,5 mm fournies pour assembler les 3 parties du déflecteur. La largeur du déflecteur assemblé doit correspondre à la largeur de la bride de cache-conduit déjà installée.



A. Largeur de la bride de cache-conduit
B. Déflecteur
C. Vis de 3,5 x 9,5 mm

- Utiliser 4 vis de 3,5 x 9,5 mm fournies pour fixer le déflecteur sur la bride de cache-conduit.



A. Bride de cache-conduit
B. Vis de 3,5 x 9,5 mm

- Mesurer la longueur de conduit de 6" (15,2 cm) nécessaire pour le raccordement entre le raccord de transition et le déflecteur.

REMARQUE : Le conduit devrait être inséré d'au moins 1" (2,5 cm) à l'intérieur du déflecteur.

- Installer le conduit d'évacuation entre le raccord de transition et le déflecteur.
- Utiliser des brides pour assurer l'étanchéité de toutes les connexions.

Installation de la hotte

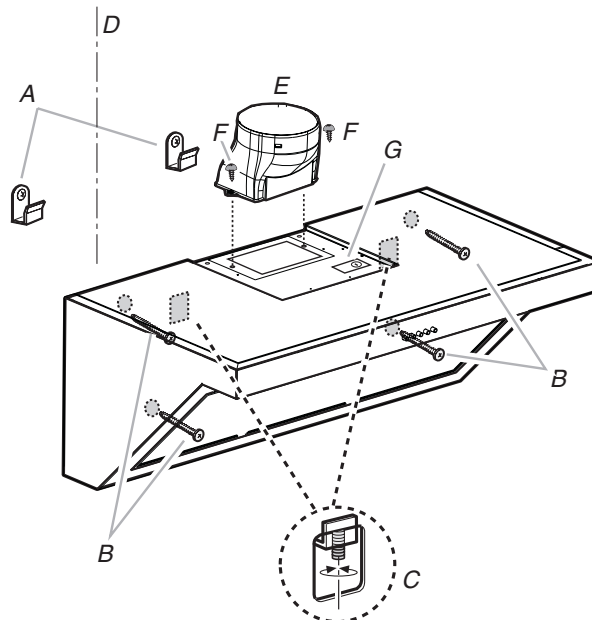
AVERTISSEMENT

Risque du poids excessif

Utiliser deux ou plus de personnes pour déplacer et installer la hotte de la cuisinière.

Le non-respect de cette instruction peut causer une blessure au dos ou d'autre blessure.

- À l'aide de deux personnes ou plus, suspendre la hotte aux deux crochets de montage, à travers les orifices rectangulaires à l'arrière de la hotte.

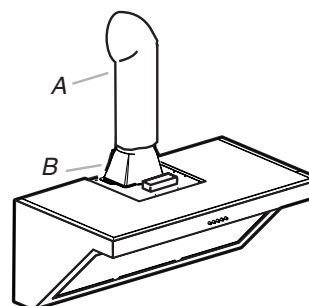


A. Crochets de montage
B. Vis de montage
C. Vis de réglage de l'aplomb
D. Axe central sur le mur
E. Raccord de transition
F. Vis de 3,5 x 9,5 mm
G. Boîte de connexion

- Établir l'aplomb de la hotte - utiliser les vis de réglage de l'aplomb dans les crochets de montage ou les ouvertures rectangulaires; placer un niveau en travers du bas de la hotte pour le contrôle.
- Immobiliser la hotte avec 4 vis de 5 x 35 mm placées dans les 4 trous restants de la hotte.
- Installer le raccord de transition avec 2 vis.

Installation du conduit d'évacuation (pour installations avec décharge à l'extérieur uniquement)

- Connecter le circuit d'évacuation sur le raccord de transition.



A. Circuit d'évacuation
B. Raccord de transition

- Utiliser des brides pour assurer l'étanchéité des jointures.

Raccordement électrique

⚠ AVERTISSEMENT



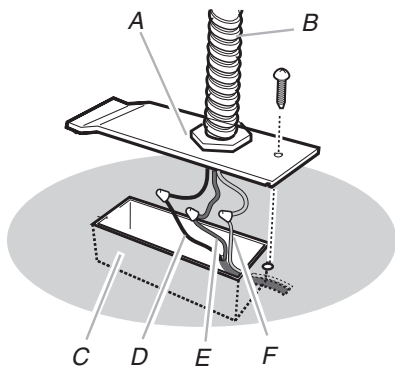
Risque de choc électrique

Déconnecter la source de courant électrique avant l'entretien.

Replacer pièces et panneaux avant de faire la remise en marche.

Le non-respect de ces instructions peut causer un décès ou un choc électrique.

1. Déconnecter la source de courant électrique.
2. Ôter le couvercle de la boîte de connexion.
3. Retirer l'opercule et installer un serre-câble de 1/2" (homologation UL ou CSA).
4. Acheminer 3 conducteurs de calibre 14 (noir, blanc et vert) dans un conduit de 1/2" entre le tableau de distribution et la boîte de connexion.



- A. Serre-câble (homologation UL ou CSA)
- B. Conduit de 1/2"
- C. Boîte de connexion
- D. Conducteurs noirs
- E. Conducteur vert (ou nu) connecté au conducteur jaune/vert
- F. Conducteurs blancs

5. Connecter ensemble les conducteurs noirs - utiliser un connecteur de fils (homologation UL).

6. Connecter ensemble les conducteurs blancs - utiliser un connecteur de fils (homologation UL).

⚠ AVERTISSEMENT



Risque de choc électrique

Relier le ventilateur à la terre.

Brancher le fil relié à la terre au fil vert et jaune relié à la terre dans la boîte de la borne.

Le non-respect de ces instructions peut causer un décès ou un choc électrique.

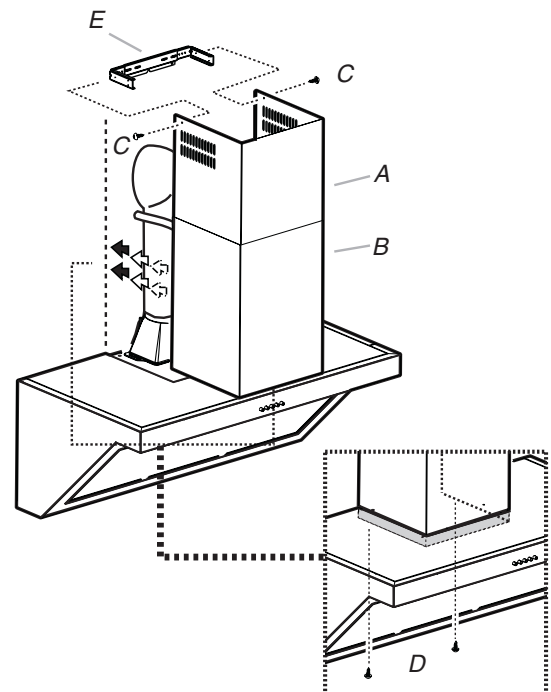
7. Brancher le conducteur de liaison à la terre au conducteur de liaison à la terre vert et jaune dans la boîte de connexion avec des connecteurs de fils (homologués UL).
8. Réinstaller le couvercle de la boîte de connexion.
9. Inspecter chaque lampe; vérifier que chaque lampe est bien insérée dans sa douille.
10. Reconnecter la source de courant électrique.

Achever l'installation

1. Installer le cache-conduit.

Pousser la section inférieure du cache-conduit vers le bas sur la hotte et soulever la section supérieure du cache-conduit vers le plafond et installer les 2 vis de 2,9 x 9,5 mm.

Connecter les sections supérieure et inférieure du cache-conduit, avec 2 vis de 3,5 x 9,5 mm pour chaque section, à partir de l'intérieur de la hotte.

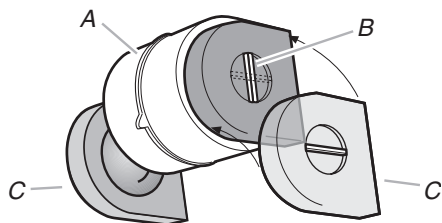


- A. Cache-conduit - section supérieure
- B. Cache-conduit - section inférieure
- C. Vis de 2,9 x 9,5 mm

- D. Vis de 3,5 x 9,5 mm
- E. Bride

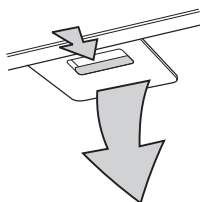
Installation des filtres

1. Pour les installations sans décharge à l'extérieur (recyclage), installer le filtre à charbon sur la grille du carter du ventilateur et tourner la manette du filtre dans le sens horaire. Répéter pour l'autre filtre à charbon.

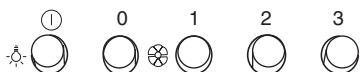


A. Carter du ventilateur
B. Manette du filtre
C. Filtres à charbon

2. Pour tous les types d'installations, insérer le bord arrière ou le filtre métallique dans la rainure arrière de l'ouverture du filtre.
3. Pousser la manette vers l'arrière et pousser le filtre vers le haut.
4. Tirer le filtre vers l'avant pour l'insérer dans la rainure avant.



Contrôle du fonctionnement



1. Appuyer sur le bouton de commande de l'éclairage . La lampe devrait s'allumer.
2. Appuyer sur le bouton "1". Le ventilateur devrait fonctionner.
3. Appuyer sur le bouton "1" pour la vitesse minimale; appuyer sur le bouton "2" pour la vitesse moyenne; appuyer sur le bouton "3" pour la vitesse maximale.
4. Appuyer sur le bouton "0" pour éteindre le ventilateur.
5. Si la hotte ne fonctionne pas, déterminer si le circuit est correctement alimenté (disjoncteur ouvert ou fusible grillé?).
6. Déconnecter la source de courant électrique.
7. Vérifier que le câblage est correct.
8. Replacer pièces et panneaux avant de faire la remise en marche.
9. Reconnecter la source de courant électrique.

REMARQUE : Pour pouvoir tirer le plus grand parti de la hotte de cuisinière, lire la section "Utilisation de la hotte".

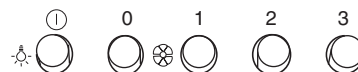
UTILISATION DE LA HOTTE DE CUISINIÈRE

Fonctionnement

La hotte est conçue pour extraire fumée, vapeurs de cuisson et odeurs au-dessus de la table de cuisson. Pour obtenir les meilleurs résultats, mettre le ventilateur de la hotte en marche avant d'entreprendre une cuisson, et laisser le ventilateur fonctionner pendant plusieurs minutes après l'achèvement d'une cuisson pour pouvoir évacuer de la cuisine toute trace d'odeur de cuisson, vapeur ou fumée.

Tableau de commande de la hotte

Les commandes de la hotte sont situées à l'avant de la hotte.



Commande de la lampe

1. Appuyer sur le bouton de commande de l'éclairage pour allumer la lampe.
2. Appuyer sur le bouton de commande de l'éclairage pour éteindre la lampe.

Ventilateur - mise en marche et sélection de la vitesse

1. Appuyer sur le bouton "1" pour la vitesse minimale; appuyer sur le bouton "2" pour la vitesse moyenne; appuyer sur le bouton "3" pour la vitesse maximale.
2. Appuyer sur le bouton "0" pour éteindre le ventilateur.

ENTRETIEN DE LA HOTTE DE CUISINIÈRE

Nettoyage et entretien

IMPORTANT : Nettoyer la hotte et les filtres à graisse régulièrement en suivant les instructions suivantes. Remettre en place les filtres à graisse avant de mettre en marche la hotte.

Avant d'entreprendre le nettoyage de la hotte, attendre le refroidissement des lampes.

Surfaces externes

Nettoyer la hotte avec un détergent doux et un chiffon doux. Ne pas utiliser un produit de nettoyage abrasif ou un tampon de laine d'acier.

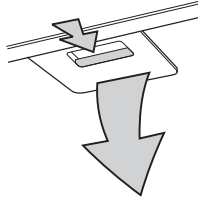
Filtres à graisse métalliques

Laver fréquemment les filtres. Placer les filtres métalliques dans un lave-vaisselle ou une solution de détergent chaude.

Laisser l'eau s'écouler à travers les trous des bords de chaque filtre et sécher parfaitement chaque filtre avant de le réinstaller.

Dépose des filtres métalliques

1. Commander l'arrêt du ventilateur et l'extinction des lampes. Vérifier que la lampe à halogène est froide.
2. Pousser la manette vers l'arrière et tirer vers le bas.
3. Tirer le filtre vers l'avant.



Remplacement du filtre à graisse métallique

1. Insérer le bord arrière du filtre dans la rainure arrière de l'ouverture d'installation du filtre.
2. Pousser la manette vers l'arrière et pousser le filtre vers le haut.
3. Tirer le filtre vers l'avant pour l'insérer dans la rainure avant.

Filtres à charbon - Installation sans décharge à l'extérieur (recyclage)

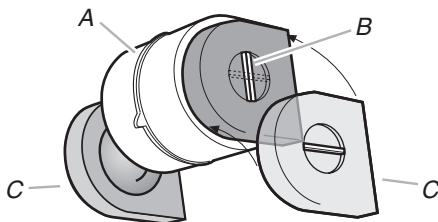
Les filtres à charbon ne sont pas lavables ou réutilisables.

Pour une utilisation normale, ils doivent être remplacés tous les 6 mois.

Les filtres à charbon retiennent les composés responsables des odeurs de cuisson.

Installation des filtres à charbon

1. Commander l'arrêt du ventilateur et l'extinction des lampes. Vérifier que la lampe à halogène est froide.
2. Retirer les filtres à graisse métalliques - pousser la manette vers l'arrière et tirer vers le bas.
3. Tirer le filtre vers l'avant et le mettre de côté.
4. Répéter l'opération pour retirer l'autre filtre métallique.
5. Installer le filtre à charbon au-dessus de la grille sur le carter du ventilateur et tourner la manette du filtre dans le sens horaire.



A. Carter du ventilateur
B. Manette du filtre
C. Filtres à charbon

6. Répéter l'opération pour installer l'autre filtre à charbon.

Remplacement des filtres à graisse métalliques

1. Insérer le bord arrière du filtre dans la rainure arrière de l'ouverture d'installation du filtre.
2. Pousser la manette vers l'arrière et pousser le filtre vers le haut.
3. Tirer le filtre vers l'avant pour l'insérer dans la rainure avant.

Remplacement des filtres à charbon

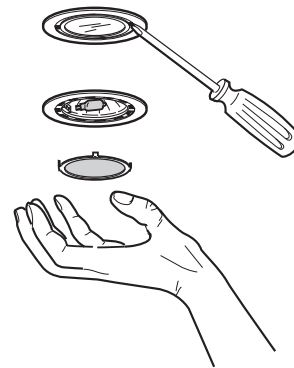
1. Commander l'arrêt du ventilateur et l'extinction des lampes. Vérifier que la lampe à halogène est froide.
2. Retirer les filtres à graisse métalliques - pousser la manette vers l'arrière et tirer vers le bas.
3. Tirer le filtre vers l'avant et le mettre de côté.
4. Répéter l'opération pour retirer l'autre filtre.
5. Tourner la manette du filtre à charbon dans le sens anti-horaire.
6. Retirer et jeter le filtre à charbon.
7. Répéter l'opération pour retirer l'autre filtre à charbon.
8. Installer le filtre à charbon de remplacement au-dessus de la grille sur le carter du ventilateur et tourner la manette du filtre dans le sens horaire.
9. Répéter l'opération pour installer l'autre filtre à charbon.

Remplacement d'une lampe à halogène

Interrompre l'alimentation de la hotte; attendre le refroidissement de la lampe à halogène. Utiliser un chiffon pour le remplacement.

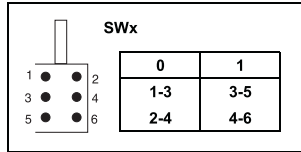
Si les nouvelles lampes ne fonctionnent pas, vérifier que chaque lampe est correctement insérée dans sa douille avant de demander l'intervention d'un dépanneur.

1. Déconnecter la source de courant électrique.
2. À l'aide d'un tournevis à lame plate, dégager doucement la garniture de lampe.

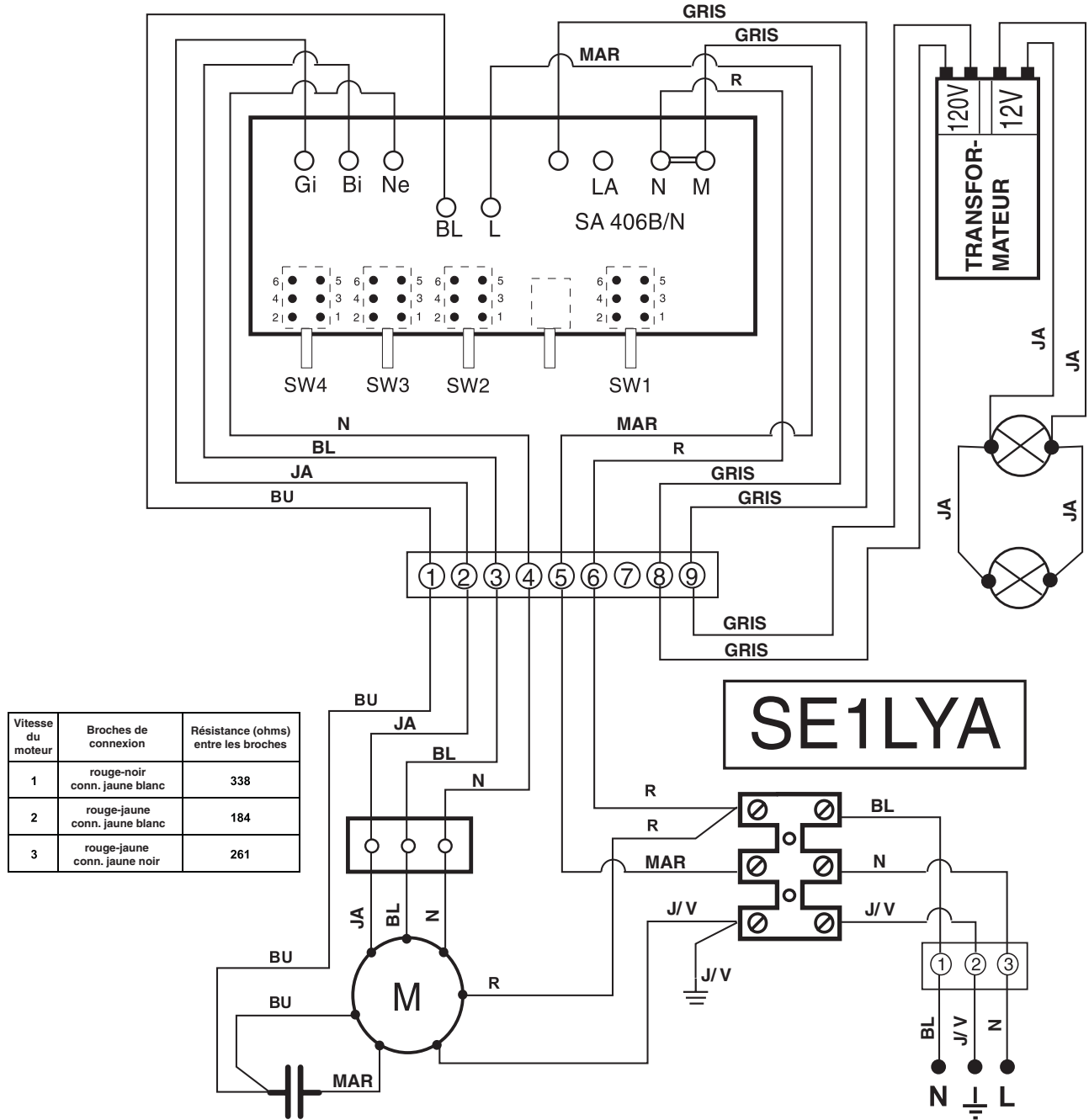


3. Enlever la lampe. Installer une lampe à halogène neuve de 12 V/20 W maximum, à culot de type G-4.
4. Réinstaller la garniture de lampe.

SCHÉMA DE CÂBLAGE



	SW1	SW2	SW3	SW4	Moteur d'éclairage
Lampe allumée	1	x	x	x	0
Lampe éteinte	0	x	x	x	0
Vel 1	x	1	0	0	1
Vel 2	x	0	1	0	1
Vel 3	x	0	0	1	1



ASSISTANCE OU SERVICE

Lors d'un appel pour assistance ou service, veuillez connaître la date d'achat, le numéro de modèle et le numéro de série au complet de l'appareil. Ces renseignements nous aideront à mieux répondre à votre demande.

Si vous avez besoin de pièces de rechange

Si vous avez besoin de commander des pièces de rechange, nous vous recommandons d'employer uniquement des pièces spécifiées par l'usine. Les pièces spécifiées par l'usine conviendront et fonctionneront bien parce qu'elles sont fabriquées avec la même précision utilisée dans la fabrication de chaque nouvel appareil. Pour localiser des pièces spécifiées par l'usine dans votre région, nous appeler ou téléphoner au centre de service désigné le plus proche.

Veuillez appeler sans frais le Centre d'interaction avec la clientèle de Whirlpool Canada LP au : **1-800-807-6777**.

Nos consultants vous renseigneront sur les sujets suivants :

- Caractéristiques et spécifications sur toute notre gamme d'appareils électroménagers.
- Consignes d'utilisation et d'entretien.
- Ventes d'accessoires et pièces de rechange.
- Références aux marchands locaux, aux distributeurs de pièces de rechange et aux compagnies de service. Les techniciens de service désignés par Whirlpool Canada LP sont formés pour remplir la garantie des produits et fournir un service après la garantie, partout au Canada.

Pour plus d'assistance

Si vous avez besoin de plus d'assistance, vous pouvez soumettre par écrit toute question ou préoccupation à Whirlpool Canada LP à l'adresse suivante :

Centre d'interaction avec la clientèle
Whirlpool Canada LP
1901 Minnesota Court
Mississauga, Ontario L5N 3A7

Veuillez inclure dans votre correspondance un numéro de téléphone où on peut vous joindre dans la journée.

Liste d'accessoires

Ensemble Filtre à charbon

Pièce n° 4396848

GARANTIE DES GROS APPAREILS MÉNAGERS WHIRLPOOL CORPORATION

GARANTIE LIMITÉE DE UN AN

Pendant un an à compter de la date d'achat, lorsque ce gros appareil ménager est utilisé et entretenu conformément aux instructions jointes à ou fournies avec le produit, Whirlpool Corporation ou Whirlpool Canada LP (ci-après désignées "Whirlpool") paiera pour les pièces spécifiées par l'usine et la main-d'œuvre pour corriger les vices de matériaux ou de fabrication. Le service doit être fourni par une compagnie de service désignée par Whirlpool. Cette garantie limitée s'applique exclusivement lorsque l'appareil est utilisé dans le pays où il a été acheté.

WHIRLPOOL NE PRENDRA PAS EN CHARGE

1. Les visites de service pour rectifier l'installation du gros appareil ménager, montrer à l'utilisateur comment utiliser l'appareil, remplacer ou réparer des fusibles ou rectifier le câblage ou la plomberie du domicile.
2. Les visites de service pour réparer ou remplacer les ampoules électriques de l'appareil, les filtres à air ou les filtres à eau. Ces pièces consommables ne sont pas couvertes par la garantie.
3. Les réparations lorsque le gros appareil ménager est utilisé à des fins autres que l'usage unifamilial normal.
4. Les dommages imputables à : accident, modification, usage impropre ou abusif, incendie, inondation, actes de Dieu, installation fautive ou installation non conforme aux codes d'électricité ou de plomberie, ou l'utilisation de produits non approuvés par Whirlpool.
5. Toute perte d'aliments due à une défaillance du réfrigérateur ou du congélateur.
6. Le coût des pièces de rechange et de la main-d'œuvre pour les appareils utilisés hors des États-Unis ou du Canada.
7. Le ramassage et la livraison. Ce gros appareil ménager est conçu pour être réparé à domicile.
8. Les réparations aux pièces ou systèmes résultant d'une modification non autorisée faite à l'appareil.
9. Les frais de transport pour le service d'un produit dans les régions éloignées.
10. La dépose et la réinstallation de votre appareil si celui-ci est installé dans un endroit inaccessible ou n'est pas installé conformément aux instructions d'installation fournies.
11. Le coût des pièces de rechange et de la main-d'œuvre lorsque l'appareil est utilisé dans un pays autre que le pays où il a été acheté.

CLAUSE D'EXONÉRATION DE RESPONSABILITÉ AU TITRE DES GARANTIES IMPLICITES; LIMITATION DES RECOURS

LE SEUL ET EXCLUSIF RECOURS DU CLIENT DANS LE CADRE DE LA PRÉSENTE GARANTIE LIMITÉE CONSISTE EN LA RÉPARATION PRÉVUE CI-DESSUS. LES GARANTIES IMPLICITES, Y COMPRIS LES GARANTIES APPLICABLES DE QUALITÉ MARCHANDE ET D'APTITUDE À UN USAGE PARTICULIER, SONT LIMITÉES À UN AN OU À LA PLUS COURTE PÉRIODE AUTORISÉE PAR LA LOI. WHIRLPOOL N'ASSUME AUCUNE RESPONSABILITÉ POUR LES DOMMAGES FORTUITS OU INDIRECTS. CERTAINES JURIDICTIONS NE PERMETTENT PAS L'EXCLUSION OU LA LIMITATION DES DOMMAGES FORTUITS OU INDIRECTS, OU LES LIMITATIONS DE LA DURÉE DES GARANTIES IMPLICITES DE QUALITÉ MARCHANDE OU D'APTITUDE À UN USAGE PARTICULIER, DE SORTE QUE CES EXCLUSIONS OU LIMITATIONS PEUVENT NE PAS S'APPLIQUER DANS VOTRE CAS. CETTE GARANTIE VOUS CONFÈRE DES DROITS JURIDIQUES SPÉCIFIQUES ET VOUS POUVEZ ÉGALEMENT JOUIR D'AUTRES DROITS QUI PEUVENT VARIER D'UNE JURIDICTION À UNE AUTRE.

À l'extérieur du Canada et des 50 États des États-Unis, cette garantie ne s'applique pas. Contacter votre marchand Whirlpool autorisé pour déterminer si une autre garantie s'applique.

Si vous avez besoin de service, voir d'abord la section "Dépannage" du Guide d'utilisation et d'entretien. Après avoir vérifié la section "Dépannage", de l'aide supplémentaire peut être trouvée en vérifiant la section "Assistance ou service" ou en appelant Whirlpool. Aux É.-U., composer le **1-800-253-1301**. Au Canada, composer le **1-800-807-6777**. 12/05

Conservez ce manuel et votre reçu de vente ensemble pour référence ultérieure. Pour le service sous garantie, vous devez présenter un document prouvant la date d'achat ou d'installation.

Inscrivez les renseignements suivants au sujet de votre gros appareil ménager pour mieux vous aider à obtenir assistance ou service en cas de besoin. Vous devrez connaître le numéro de modèle et le numéro de série au complet. Vous trouverez ces renseignements sur la plaque signalétique située sur le produit.

Nom du marchand _____
Adresse _____
Numéro de téléphone _____
Numéro de modèle _____
Numéro de série _____
Date d'achat _____

W10018030

© 2006.
All rights reserved.
Tous droits réservés.

5/06
Printed in Italy
Imprimé en Italie

Free Manuals Download Website

<http://myh66.com>

<http://usermanuals.us>

<http://www.somanuals.com>

<http://www.4manuals.cc>

<http://www.manual-lib.com>

<http://www.404manual.com>

<http://www.luxmanual.com>

<http://aubethermostatmanual.com>

Golf course search by state

<http://golfingnear.com>

Email search by domain

<http://emailbydomain.com>

Auto manuals search

<http://auto.somanuals.com>

TV manuals search

<http://tv.somanuals.com>