



Service Manual

Washing machine

Frontloader

AWG 166/WP

Model Version		Page
	AWG 166/WP	
	8537 166 70130	
	Technical data	2
	Spare part list	3 - 4
	Exploded view	5 - 6
	Wiring diagram	7
	Circuit diagram	8
	Program diagram	9

This documentation is only intended for qualified technicians who are aware of the respective safety regulations.

Date: 28.06.2001

Document-No.: 4812 712 16348

Subject to modification

Technical data

Dimension

Height	85	cm
Width	59.5	cm
Depth	53	cm

Weight

Gross	~ 82.5	kg
Net	~ 81	kg

Main connection

Voltage	110 ± 10%	V
Frequency	60	Hz
Power Consumption	1750	W
Fuse rating	16	A

Drum data

Washing	46	rpm
Spinning	500	rpm

Capacity of dry laundry

Loading - washing max.	4.5	kg
------------------------	-----	----

Heating

Type	Tubular radiator	
Rated power draft:	1450	W
Voltage	110	V

Motor

Type	2/16	
Frequency	60	Hz
Voltage	110	V

Timer washing

Type	1024-08	
Frequency	60	Hz
Voltage	120	V
The timer chart includes		
2 basic programs :		
	- normal washing	
	- delicate washing	

Thermostat

A- fixed thermostat	33 ± 3	°C
B- adjustable thermostat	0 - 60 ± 3	°C

Pressostat (without laundry)

Wash level	~ 11 ± 1	l
Rinse level	~ 15 ± 1	l

Push button switch unit

Version with 2 buttons :	
	- On/off
	- Half load

Spare part list

Model AWG 166/WP
Service No. 853716670130
Version 853716670130

Pos. No.	12NC Code	Description
001 0	4819 440 19717	Cabinet
003 0	4819 404 43391	Bearer hook crosspiece
011 0	4819 462 47014	Foot adjustable
024 0	4819 903 03649	Panel, rear
030 0	4819 440 19577	Table top
041 0	4819 417 19231	Hinge
054 0	4819 903 03648	Door,flap
054 1	4819 535 97024	Shaft
061 0	4819 466 89475	Counter weight
061 1	4819 466 89461	Counter weight bottom
083 0	4819 466 47003	Friction plate
086 0	4819 903 03669	Spring
086 1	4819 502 18389	Fastener
086 2	4819 310 39573	Kit fixation
086 3	4819 466 89132	Fastener counter weight
110 1	4819 498 69837	Handle cpl.
131 0	4819 903 02498	Pin
133 0	4819 466 89014	Hook
133 1	4819 903 02505	Pin
133 2	4819 404 49836	Lever Door handle
140 0	4819 450 58319	Door glass
143 0	4819 903 02494	Strap
144 0	4819 532 78128	Frame,door glas
144 1	4819 459 28288	Glassdoor frame
144 2	4819 532 88054	Collarring
190 0	4819 466 69669	Door bellow
200 0	4819 418 49771	Container
201 0	4819 440 19881	Tub cover a. bearing
201 1	4819 532 28273	Ring
201 2	4819 440 19879	Bottom
201 3	4819 532 28274	Ring
210 0	4819 903 03688	Crosspiece
220 0	4819 418 18246	Drum
220 1	4819 903 03676	Drum
271 0	4819 358 18035	Belt
272 0	4819 903 03672	Pulley
278 0	4819 535 98468	Shaft
291 0	4819 903 03668	Gasket tub
301 0	4812 460 78984	Control panel
303 0	4812 462 79784	Cover
303 1	4819 498 69836	Handle, drawer
320 0	4812 452 10757	Insert panel
331 0	4812 412 48027	Knob,timer
332 0	4819 410 28605	Button,push
335 0	4812 412 48028	Knob thermostat
351 0	4812 134 48269	Pilot lamp
401 0	4812 361 58325	Motor
420 0	4812 121 18227	Capacitor 55 µ F
421 0	4812 121 18212	Interf.filter
430 0	4812 360 18507	Pump,draining
432 0	4819 418 49662	Filter body
451 0	4812 259 28794	Heating element
483 0	4812 321 78093	Cable harness
490 0	4812 321 18137	Connect.cable USA
491 0	4819 290 68429	Connect.block

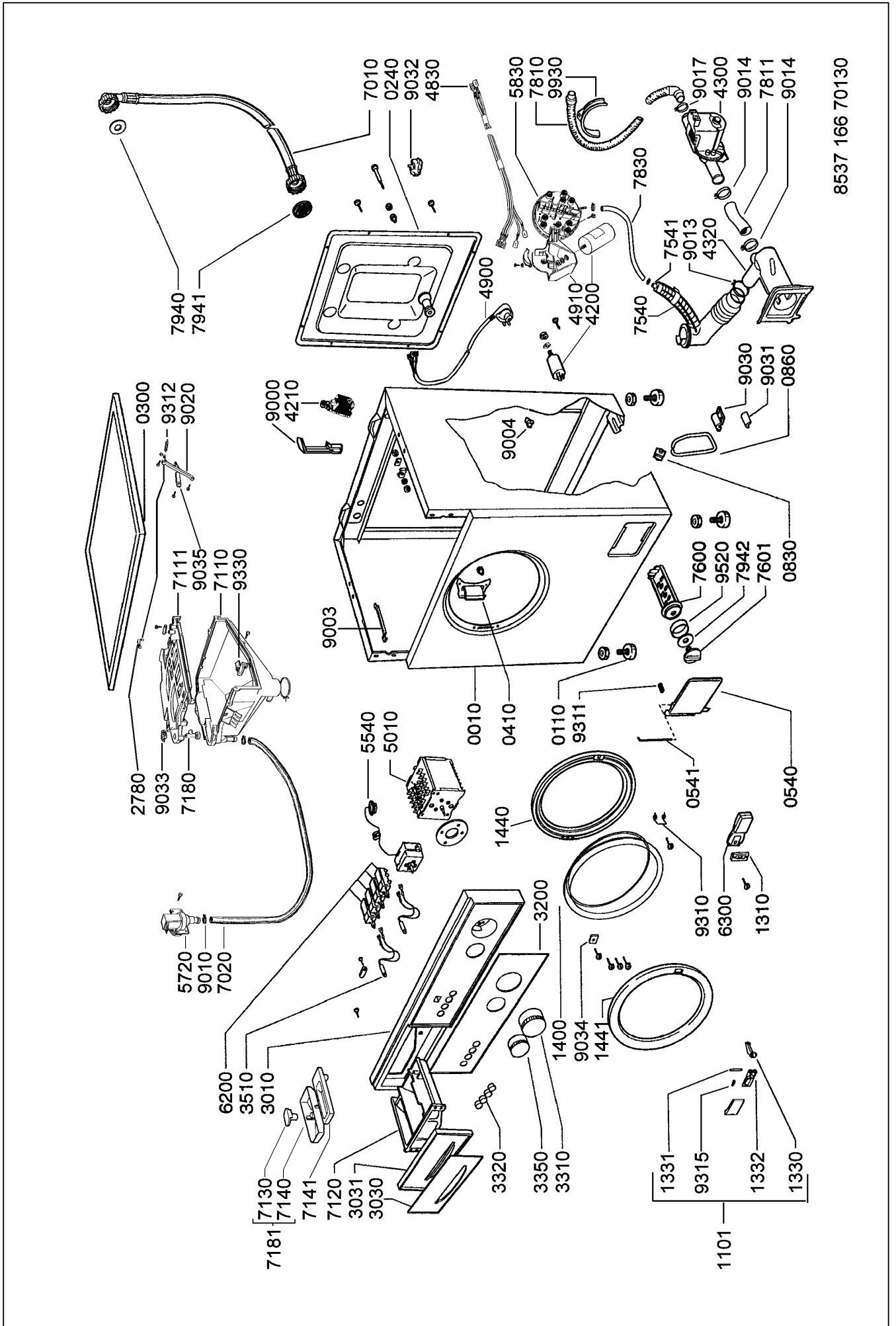
Pos. No.	12NC Code	Description
501 0	4812 282 18866	Timer 1024-08
551 9	4819 282 48094	Thermostat 33 deg.C.fix
554 0	4819 282 38029	Thermostat 0-60 °C
572 0	4812 281 18055	Valve,magnet cold water
583 0	4819 271 28872	Pressostat
620 0	4819 276 38336	Switch on/off
630 0	4819 280 48009	Door lock
701 0	4819 530 28932	Hose, inlet 1.5 m cold water
702 0	4819 530 29024	Hose, inlet
708 4	4819 530 28545	Drainhose inner
711 0	4819 418 78068	Dispenser
711 1	4819 462 79036	Cover dispenser housing
712 0	4819 418 78067	Drawer
713 0	4819 418 78989	Accessory deterg. fluid
714 0	4819 418 78988	Container liquid detergent
714 1	4819 418 78166	Tray bleach
718 0	4819 360 69853	Nozzle
718 1	4819 310 38651	Accessories liquid detergent
754 0	4819 530 28862	Drainhose
754 1	4819 530 29038	Chamber,air
760 0	4819 480 58082	Filter
760 1	4819 462 78861	Grip filter
781 0	4819 530 28847	Hose,draining
781 1	4819 903 02515	Hose
783 0	4819 530 28908	Hose Pressostat
794 0	4819 903 04978	Gasket
794 1	4819 310 38057	Gasket
794 2	4819 532 68309	Cover filter
900 0	4819 535 38151	Hook
900 1	4819 466 98528	Clamping piece
900 3	4819 404 78867	Bracket
900 4	4819 401 13349	Hook
901 0	4822 401 10258	Clamp,hose 10-18 mm
901 3	4819 401 18351	Clamp,hose
901 4	4819 401 18174	Clamp,hose 25-45 mm
901 7	4819 401 18429	Clamp
902 0	4819 535 98469	Lever
903 0	4819 492 68392	Clamp
903 1	4819 903 02535	Silent bloc
903 2	4819 401 18348	Holder,hose
903 3	4819 903 02466	Lever
903 4	4819 466 98404	Fastener
903 5	4819 903 02469	Rocker
910 1	4819 502 18347	Screw
912 0	4819 502 18345	Screw
914 0	4819 505 13084	Nut
921 0	4819 532 13433	Washer pulley
923 0	4819 532 68707	Washer
931 0	4819 492 48141	Spring
931 1	4819 492 37027	Spring
931 2	4819 903 02471	Spring
931 3	4819 492 68872	Spring,tension
931 5	4819 492 48134	Spring
933 0	4819 903 03659	Spring,tension
941 0	4819 903 02544	Bearing, kit

Spare part list

Model AWG 166/WP
Service No. 853716670130
Version 853716670130

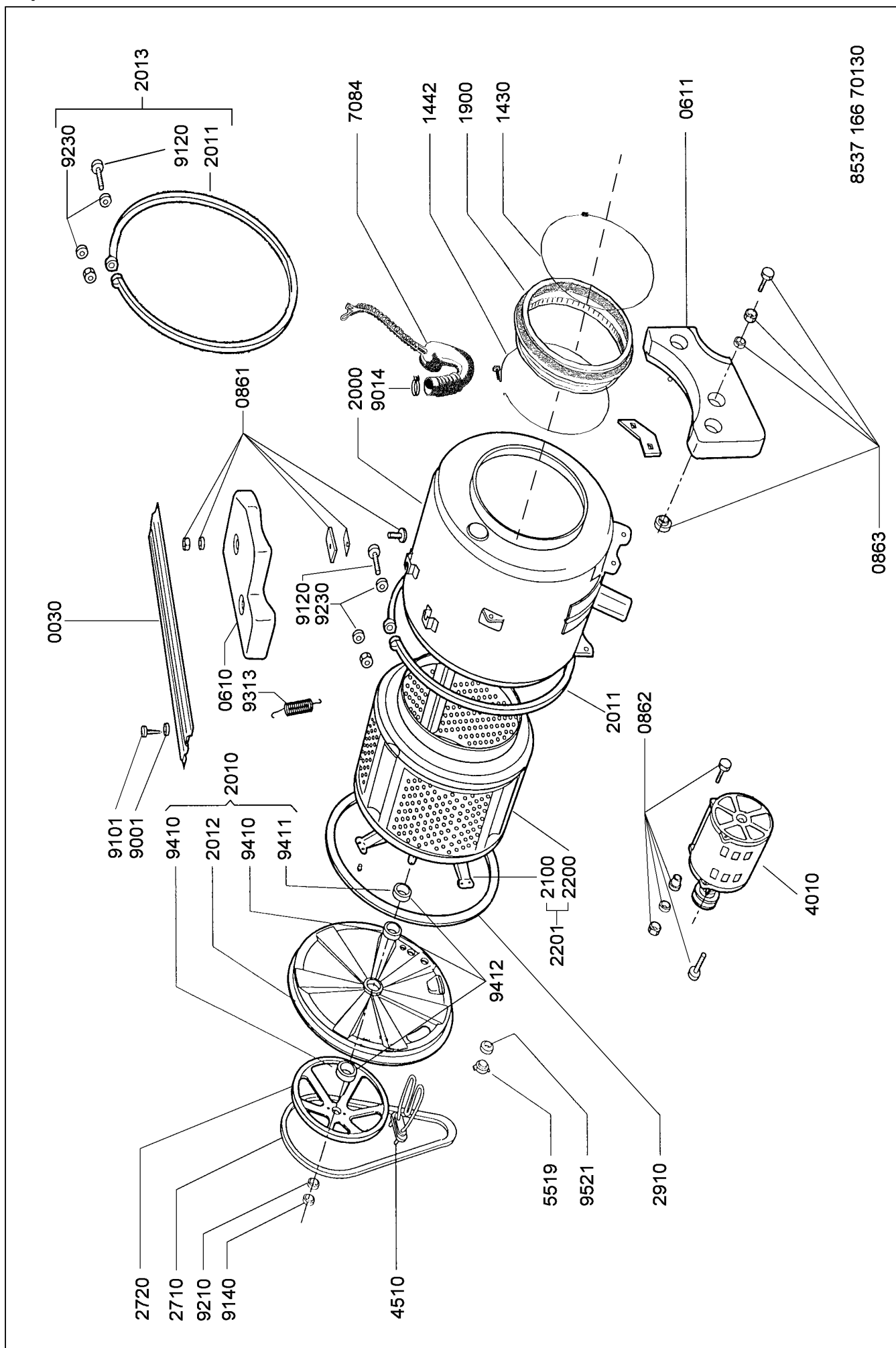
Pos. No.	12NC Code	Description
941 1	4812 530 78048	Shaft seal
941 2	4819 310 38768	Bearing, kit
952 0	4819 466 69816	Gasket
952 1	4819 903 02447	Gasket thermostat
993 0	4819 401 18345	Bow

Exploded view



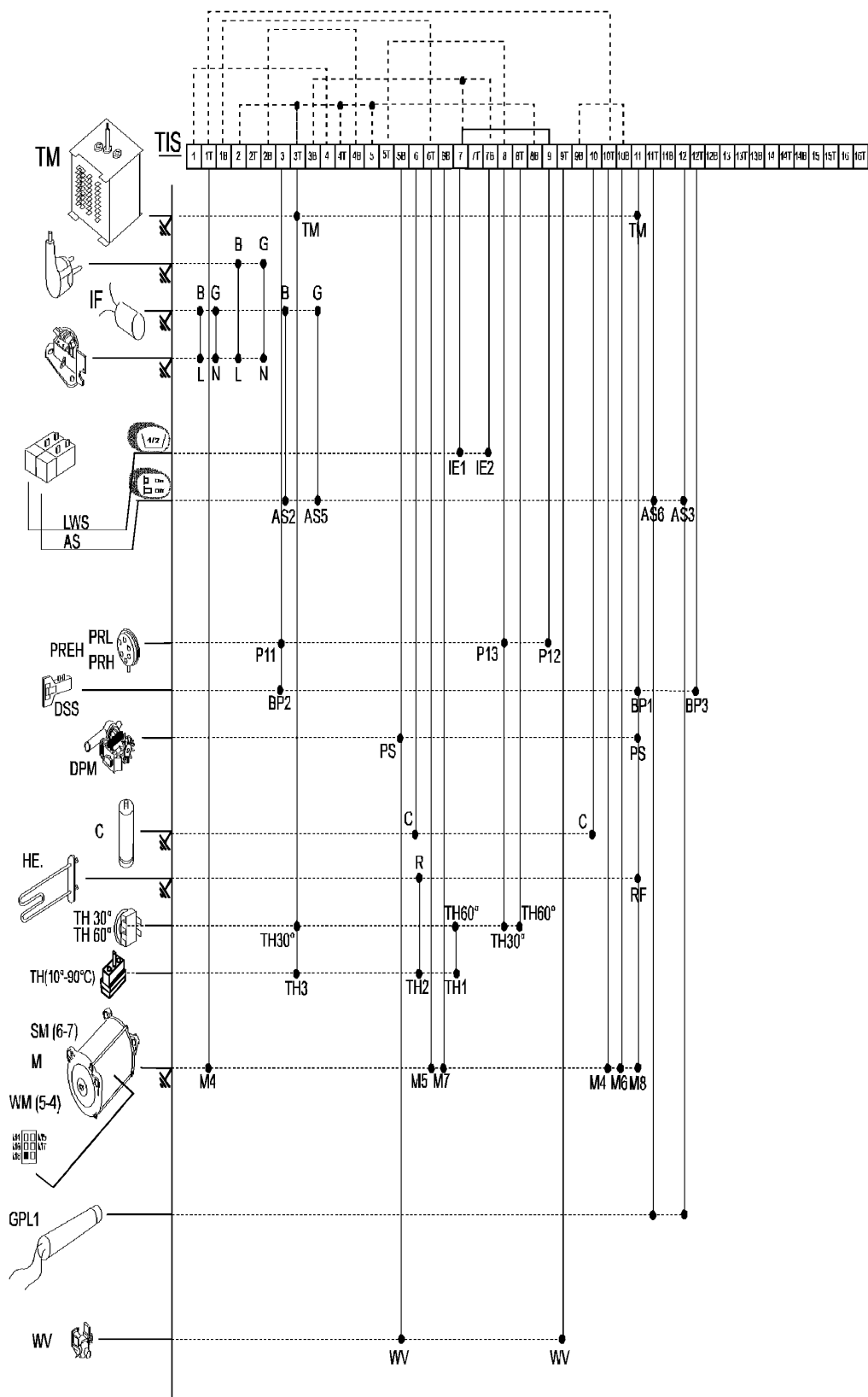
8537 166 70130

Exploded view



8537 166 70130

Wiring diagram



TM Timer motor
EM Thermostop
IF Interference filter
RSS Spin delay button
SDE No spin button
LWS Half load button
e Eco button
CWS Cold wash button
PRL Low level pressostat
PRH High level pressostat
WVC Water valve (cold fill)
WVW Water valve (hot fill)
PREH Pressostat

DSS Micro delay switch
DPM Drain pump motor
VAT Variable temperature
VSS Variable spin speed
TR Thermal resistivity
TK Tachometer
WV Water valve
CC Spin capacitor
CL Wash capacitor
HE Heating element
RE Relay
RF Heating protector
AS ON - OFF button

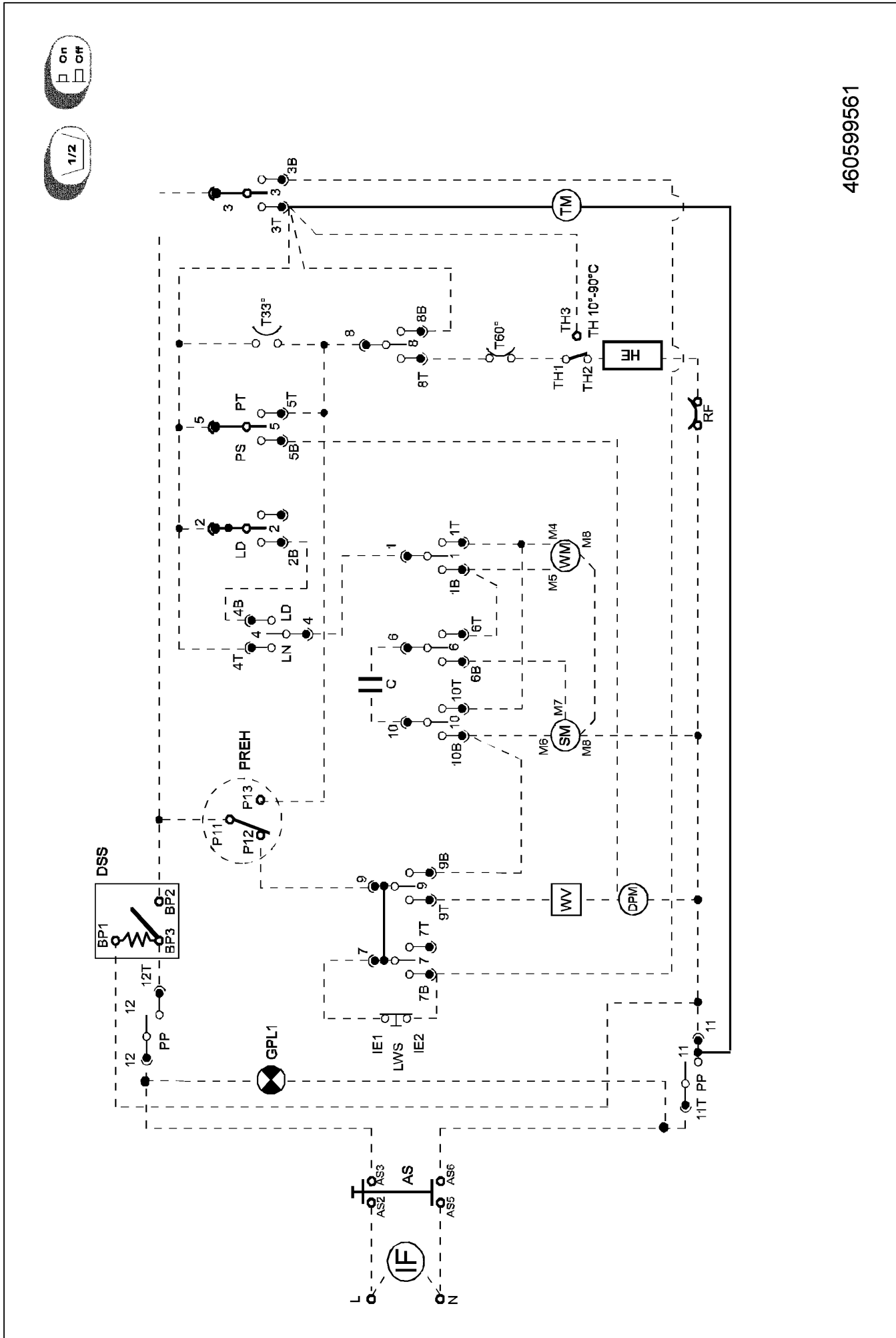
ER Extra rinse button
TH (10°-90°C) Adjustable thermostat
Klixon
M Main motor
SM Spin-dry motor
WM Wash motor
CU Control unit
C Capacitor
MC Low/high speed
GPL1 Pilot lamp
GPL2 Door pilot lamp

B Brown
G Blue
⊥ Yellow-Green

510090400

Circuit diagram

460599561



Free Manuals Download Website

<http://myh66.com>

<http://usermanuals.us>

<http://www.somanuals.com>

<http://www.4manuals.cc>

<http://www.manual-lib.com>

<http://www.404manual.com>

<http://www.luxmanual.com>

<http://aubethermostatmanual.com>

Golf course search by state

<http://golfingnear.com>

Email search by domain

<http://emailbydomain.com>

Auto manuals search

<http://auto.somanuals.com>

TV manuals search

<http://tv.somanuals.com>