



---

# ***PARTS & SERVICE*** *Manual*

## ***AUTO SPARKLE***

SAP MODEL NO	DESCRIPTION
3775	AUTOSPARKLE-110V,APWH.W.PUMP(BARBA,CURAC

## CONTENTS

S No	DESCRIPTION	PAGE No
1	SPECIFICATIONS	3
2.	AUTOSPRAKLE FEATURES	6
3.	CONTROL & FUNCTIONS	6
4.	WIRING DIAGRAM	10
5.	PROGRAM TIMING	12
6.	EXPLODED VIEWS	15
7.	PARTS LIST	18
8.	FAULT FINDING-GUIDE	20

---

This document is only intended for qualified technicians who are aware of the respective safety regulations.  
Revised on 07/01/2003                      Subject to modification  
Document No. WOI/WM/2003/001

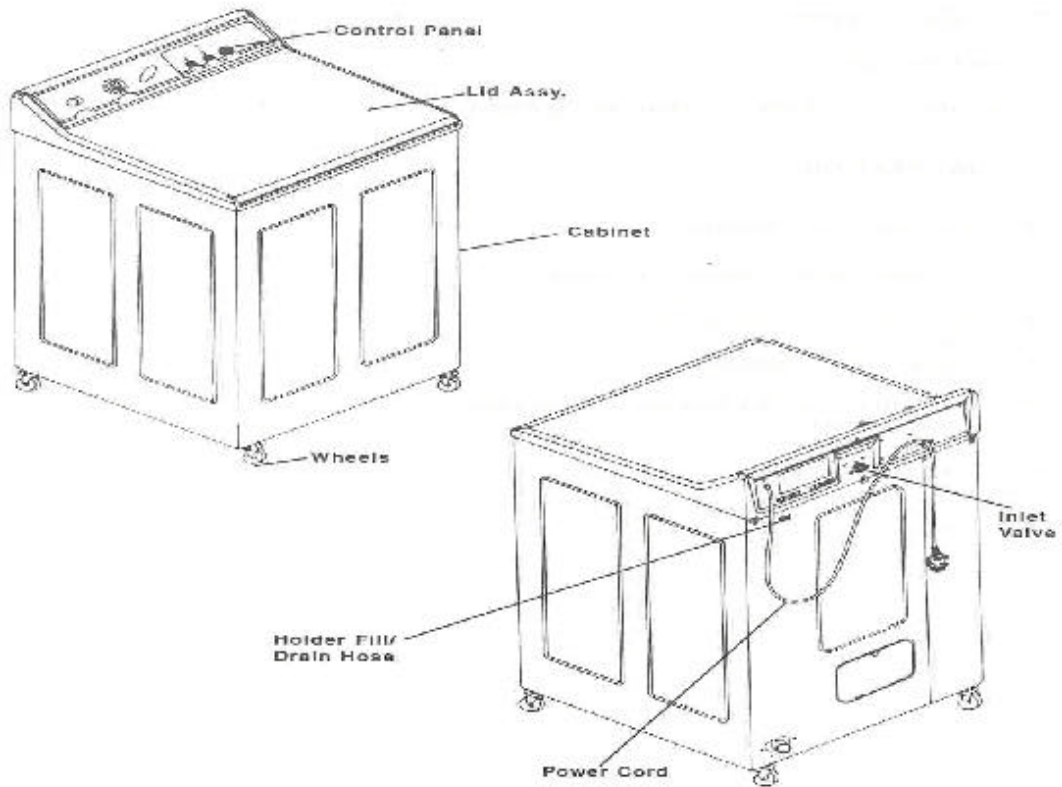
## Specifications

1 .Model Description	AUTOSPARKLE		
2. Machine Type	Top Loading fully Automatic Agitator wash		
3. Capacity	5 Kg.		
4. M/c Wt.	38 Kg.		
5. M/c Dimension	570 mm (W) x 590 mm (B) x 1000 mm (H)		
6. Cabinet Finish	Pre painted Steel		
7. No of programs	1 9		
8. Program Select	4 LED's - Normal, Speed, Heavy & delicate (Heavy double rinse)		
9. Start/Pause	Provided		
10. Error Signal (Audio)	Available		
I 1. Wash Action	Normal, Speedy, Heavy (65 SPM) Delicate (45 SPM)		
12. Spin Speed	740 RPM (Max.)		
13. Dispenser	Bleach dispenser (Hose less type) Blue dispensing (through Dispenser fitted to Agitator.		
1 4. Lint filter	Available (fitted to blue dispenser)		
15. Motor	1/4 HP, 1400 RPM, PSC Type, single speed (input 575W)		
16. Operating Voltage	110V 50Hz		
17. Basket	Polypropylene		
18. Temp Permitted	Max. 50°C		
19. Water level switch	Rotary continuous (4 indications Extra Low, Low, Medium, High)		
20. Water volume (liters)		Setting With Load	W/o Load
	Extra Low	25	27
	Medium	50	54
	High	65	70
	Low	35	38
21. Water Saver	By selection		

---

This document is only intended for qualified technicians who are aware of the respective safety regulations.  
 Revised on 07/01/2003 Subject to modification  
 Document No. WOI/WM/2003/001

**(External Parts Front & Rear)**



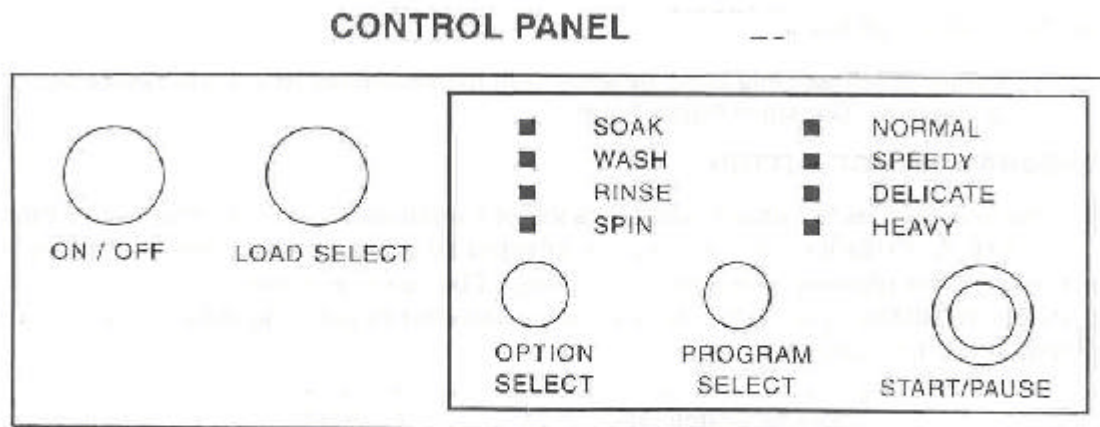
---

This document is only intended for qualified technicians who are aware of the respective safety regulations.  
Revised on 07/01/2003 Subject to modification  
Document No. WOI/WM/2003/001

## AUTOSPARKLE - FEATURES :

- ? Spin Basket - P.P. Material
- ? Easy spin basket removal is possible
- ? Hose less bleach inlet system
- ? Single Pressure switch hose.
- ? LID switch control for Agitate/Spin operations.  
(8 Bit controller)
- ? Tub ring mounting with out screws

A LOOK AT THE CONTROL PANEL...



The following are the knobs/switches available at the panel

1. Power ON/OFF Switch
2. Water level selector
3. Course Select
4. Program Select
5. Start/Pause Button

In addition to the above, 2 sets of 4 each LED indications are also provided to indicate the status of operations. Please refer the annexure for schematic view of the Panel. **POWER ON/OFF SWITCH**

---

This document is only intended for qualified technicians who are aware of the respective safety regulations.  
Revised on 07/01/2003                      Subject to modification  
Document No. WOI/WM/2003/001

This switch is basically a ON/OFF switch controlling the supply to the machine, by pressing this switch, the machine is turned ON.



To Switch off the machine, press the switch again.

Machine operation stops automatically at the end of the cycle and this switch will still

remain in ON position Similar To ALPHA model and the user has to switch it OFF before removing the clothes from the spin basket.

### **WATER LEVEL SELECTOR**

This is similar to our existing Load Selector with the difference that the pressure switch mounted inside is "Constant Reset Type".

### **PROGRAM SELECT BUTTON**

This feature enables the user to select the various wash cycles viz., NORMAL, SPEEDY, DELICATE and HEAVY. The selection is effected by pressing this Program Select and indicate by the glowing of the corresponding LED indicator in the panel. The default setting is NORMAL cycle. Other cycles can be selected by pressing the Program Select button in the following sequence.

<b>CONTROL SETTING</b>	<b>PROGRAM ACTIVATED</b>
POWER SWITCH ON(Default)	NORMAL
FIRST PRESS	SPEEDY
SECOND PRESS	DELICATE
THIRD PRESS	HEAVY

If the user presses for the fourth time, the machine returns to default setting i.e., NORMAL cycle.

## COURSE SELECT

This feature enables the user to select the various combination of SOAK, WASH, RINSE and SPIN. The Selection is effected by pressing this Course Select button and indicated by the glowing of the corresponding LED indicator in the panel. The default setting is WASH, RINSE and SPIN i.e. whenever the Power Switch is switched ON, these 3 processes will be selected by default and the corresponding LED lamps will glow. As the Course Select button is pressed further, the other selections can be made in the following sequence:

COURSE SELECT	PROGRAM			
Power Switch ON(Default)		WASH	RINSE	SPIN
First Press	SOAK	WASH	RINSE	SPIN
Second Press		WASH		
Third Press		WASH	RINSE	
Fourth Press			RINSE	SPIN
Fifth Press				SPIN

If the user presses for the sixth time, the machine returns to default setting i.e., WASH, RINSE and SPIN cycle. Whenever Speedy Program is selected, the course is selected by default, as WASH, RINSE and SPIN and hence no other combinations are possible.

## START/PAUSE BUTTON

This button is used to start or pause the cycle. Once all the settings are set, the user has to press this button to commence the cycle. Similarly, this button can also be pressed while the machine is operating to pause the operation. This facility may be used in case the Customer wants to add some more detergent or clothes in the middle of the cycle. Whenever the operation is paused, the user will get a continuous beep sound to indicate that the machine has been 'paused'. To restart the cycle, the button has to be pressed again.

## LED INDICATORS

This is 2 sets of 4 each LED indicators provided in the control panel. This helps to indicate the status of the cycle in progress.

## WASH PROGRAMME

From the above details on the various controls available in this model, it is clear that the user can choose the combination of various course (SOAK, WASH, RINSE, and SPIN) and Programmer (NORMAL, SPEEDY, DELICATE, and HEAVY). The possible combinations for say a NORMAL cycle are

1. WASH RINSE & SPIN
2. SOAK WASH RINSE & SPIN
3. WASH ONLY
4. WASH AND RINSE
5. RINSE AND SPIN
6. SPIN ONLY

Thus each of NORMAL, DELICATE & HEAVY cycle can give 6 possible combinations resulting in 18 cycles. In case of SPEEDY cycle, the course options are preset as WASH, RINSE and SPIN and hence no other combinations can be chosen.

Thus, a total combination of 18 plus 1 SPEEDY cycle i.e. a total of 19 cycles is possible in this model.

---

This document is only intended for qualified technicians who are aware of the respective safety regulations.  
Revised on 07/01/2003 Subject to modification  
Document No. WOI/WM/2003/001

The timing sequences of this individual cycle are enclosed for your ready reference.

**OPERATING INSTRUCTIONS:**

1. Add detergent and load the clothes as usual.
2. Connect the Fill Hose and Power cord to the appropriate points. 3. Place the Drain Hose on the ground.
4. Switch on the machine. Set the Water level and Water inlet Selector (as applicable) to the desired settings.
5. Select the appropriate Course and Program.
6. Press the Start button to commence the operation.
7. At the completion of the cycle, the user will get a intermittent beep sound lasting for 20 seconds. STATUS INDICATORS

As you are aware, LED indicators are provided in the Control Panel to indicate the status of the wash cycle. Whenever the Program and Course is selected, the corresponding LED indicators will glow. Once the operation is commenced, the LED corresponding to the first operation (Soak or Wash or Rinse or Spin) will blink indicating that the particular process is on. Once the process is completed, the corresponding LED will go off and the LED corresponding to the next operation will start blinking. Thus by a look at the Control Panel, the user can come to know of the process in progress (indicated by the blinking LED) and the pending processes for the completion (indicated by glowing LED/s) of the cycle. Let us take an example of a cycle wherein WASH, RINSE & SPIN is selected. The sequence of LED display will be as follows:

**1.At the time of setting**

OFF	SOAK
ON	WASH
ON	RINSE
ON	SPIN

**2.During Washing**

OFF	SOAK
BLINK	WASH
ON	RINSE
ON	RINSE

**3.At the time of setting**

OFF	SOAK
ON	WASH
BLINK	RINSE
ON	SPIN

**4.During Washing**

OFF	SOAK
OFF	WASH
OFF	SPIN
BLINK	SPIN

**SPECIAL FEATURES IN ET MODES:**

**• DOUBLE RINSE FACILITY IN HEAVY WASH PROGRAMME**

Whenever the user chooses Heavy Program, after washing the clothes the machine takes in water twice for rinsing. This is to increase the effectiveness of rinsing. However, it is worth noting here that no SIS and Spin is provided before the first rinse. This has been thoughtfully designed such that the liquid blue from the dispenser gets dispensed only after the second rinsing is completed.

**• DYNAMIC SOAK:**

Whenever the user selects SOAK in the wash cycle, during this soaking period the machine alternatively stirs (agitates) for sometime and soaks for sometime. This aids better mixing of detergent in the water thereby aiding dirt removal. The total

---

This document is only intended for qualified technicians who are aware of the respective safety regulations.  
 Revised on 07/01/2003 Subject to modification  
 Document No. WOI/WM/2003/001



soaking time is 32 minutes with the machine agitating for the first 2 minutes. This is followed by 20 seconds agitation and 3 minutes soak cycle for the remaining 30 minutes.

**\*ERROR SIGNALS:**

During operation, if any malfunction or misoperation occurs, the timer automatically indicates the same to the user through an appropriate error signal. The various possible errors during operation and the type of error signal along with the remedies are listed in the table as below

CAUSE	SIGNAL TYPE	FREQUENCY	REMEDY
Lid is open during the spin	1" BEEP 1" OFF	EVERY 5 SECONDS	CLOSE THE LID
Improper drain /High drain time	½" BEEP ½" OFF ½" BEEP 3 ½" OFF	EVERY 5 SECONDS TILL THE PR. SWITCH RESETS	REMOVE DRAIN RESTRICTIONS
Course select button is pressed down whenever speedy program is selected	1" BEEP 1" OFF 1" BEEP 1" OFF 1" BEEP 1" OFF	FOR EVERY PRESS OF COURSE SELECT KEY	NO OPTIONS AVAILABLE IN SPEEDY PROGRAM

**DYNAMIC SOAK**

Whenever the user SOAK the wash cycle during this soaking period the machine alternatively stirs (agitates) for some time and soaks for some time. This aids better mixing of detergent in water hereby aiding dirt removal. The total soaking time is 32 minutes with the machine agitating for the first two minutes. This is followed by 20 seconds agitation and 3 minutes soak cycle for the remaining 30 minutes.

**SERVICE/DEMO ROUTINE :**

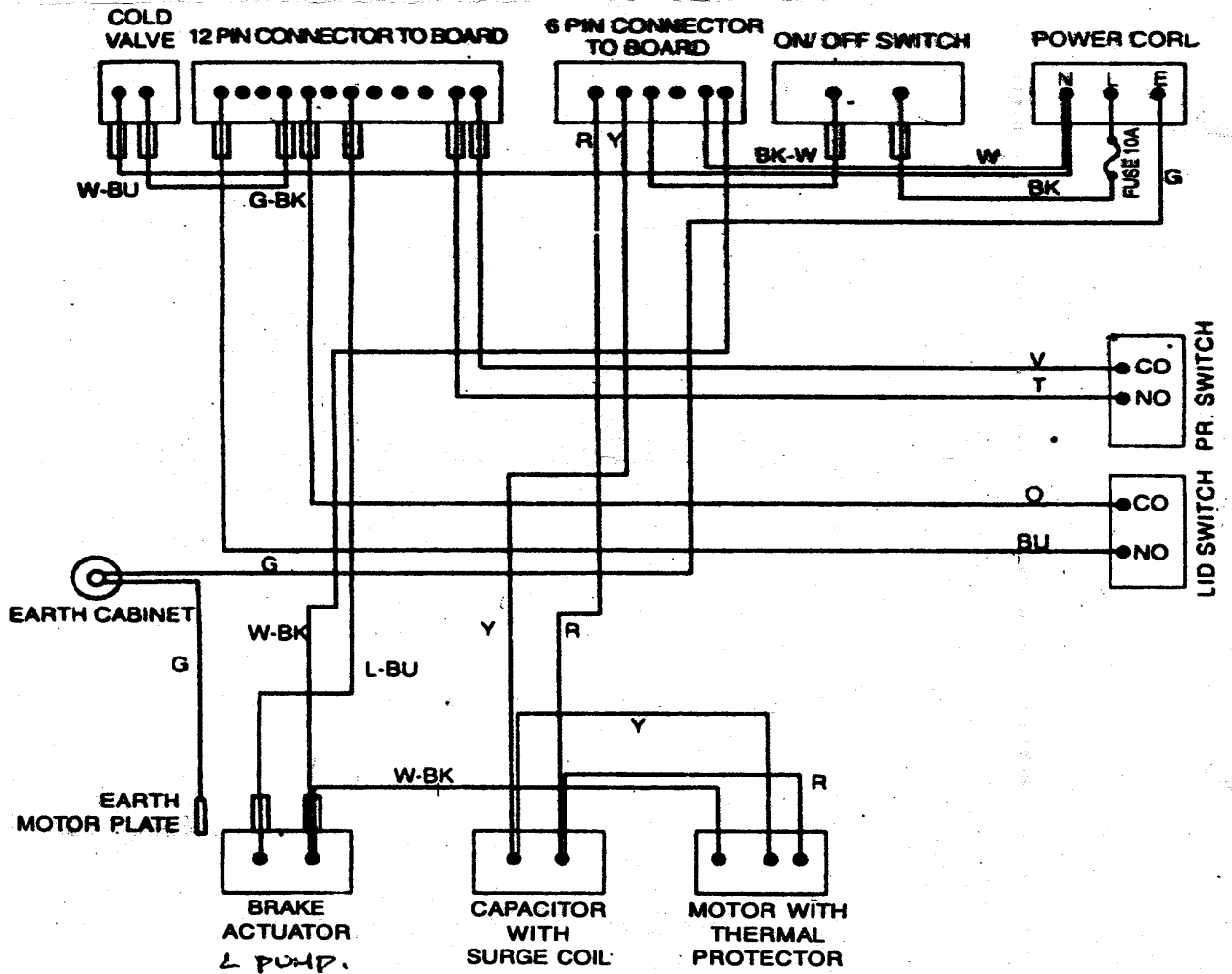
To enable the CSE s in the field to test the device for its normal operations, a service routine is provided in these ET models. To activate this, switch on the machine and press all the feather touch buttons i.e., course select, program select, start/pause key and the cancel key simultaneously. Then release the cancel button. This will lead the machine to service routine wherein the following operations are performed in sequence

1. All the 8 LED's will be lighted.
2. Valve inlet will be switched on for 10 seconds.
3. Normal Agitation for 40 Sec.
4. Slow Agitation for 40 Sec.
5. Drain will be on for 20 Sec.
6. Spin will be on for 8 seconds.
7. EOC Buzzer will be for 15 seconds.

---

This document is only intended for qualified technicians who are aware of the respective safety regulations.  
 Revised on 07/01/2003 Subject to modification  
 Document No. WOI/WM/2003/001

# Wiring Diagram



This document is only intended for qualified technicians who are aware of the respective safety regulations.  
 Revised on 07/01/2003 Subject to modification  
 Document No. WOI/WM/2003/001

**PROGRAM TIMING (TIME IN MINUTES)**

OPERATION	Sequence	Wash Program			
		NORMAL	SPEEDY	DELICATE	HEAVY
	Fill	-	-	-	-
Agitronic Soak	Soak/Agitation	32	-	32(By selection)	32(By selection)
Wash	Agitation	14	8	4	4
	Soak/Agitation	-	-	4	4
	Agitation	-	-	2	14
RINSE	Drain,Max	4	4	4	4
	SIS	2	2	2	-
	Spin	-	-	-	2
	Fill	-	-	-	-
	Agitation	-	-	-	4
	Drain,Max	-	-	-	4
SPIN	SIS	2	2	4	2
	Spin	8	4	-	8
TOTAL TIME(Excluding fill)		72	30	26	56

Note:

1.Fill time not included in the above table.

2.Agitation rate for Normal,speedy &Heavy is 65 SPM and Delicate is 45 SPM

---

This document is only intended for qualified technicians who are aware of the respective safety regulations.  
 Revised on 07/01/2003 Subject to modification  
 Document No. WOI/WM/2003/001

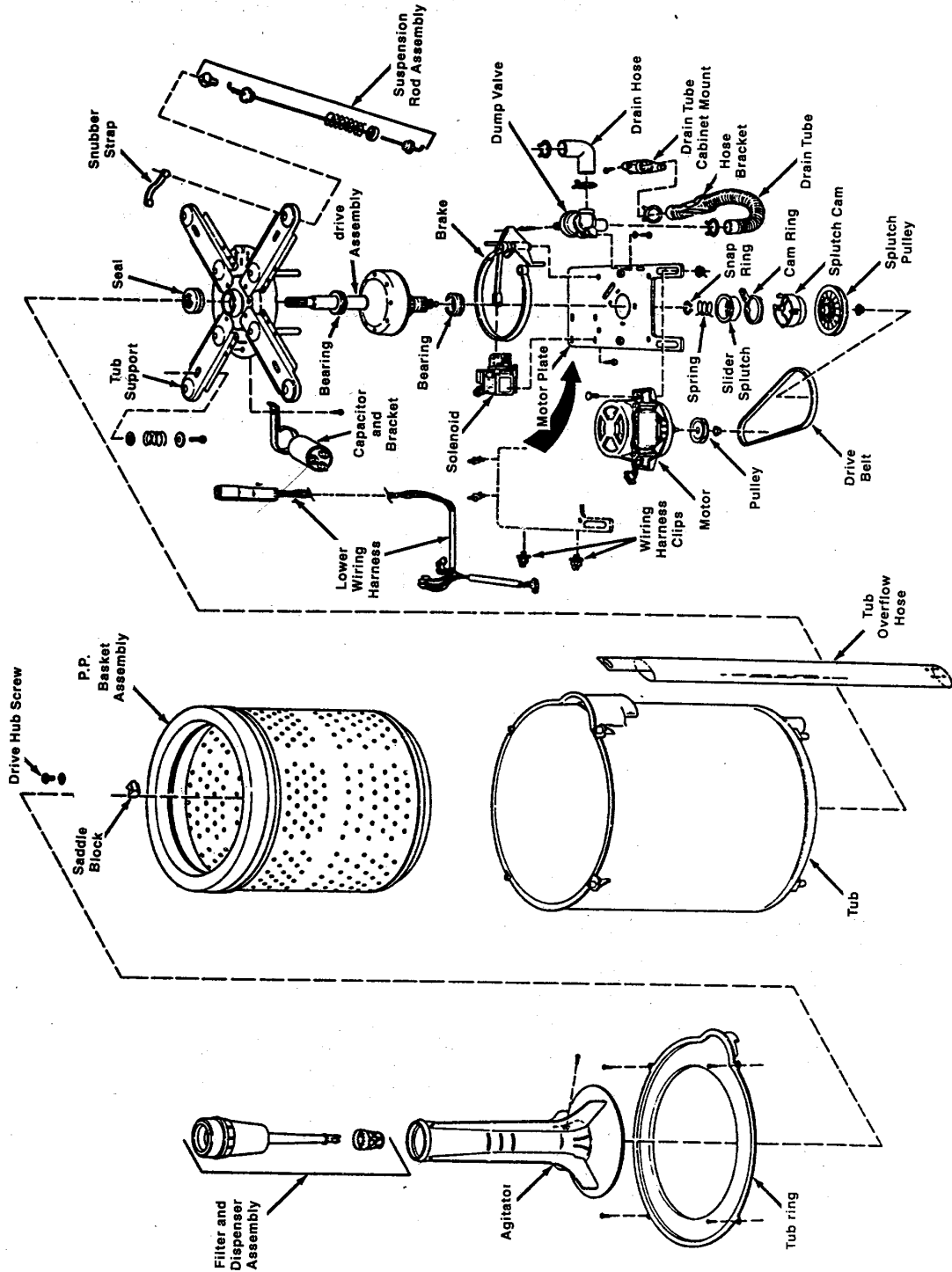
## **USER INSTRUCTIONS**

- ? Load Laundry
- ? Fill required amount of Water Manually
- ? Add Detergent and Adjuncts as required
- ? Program the machine (Normal/Wash)
- ? Press Start
- ? M/C Washes as per the program and stops
- ? Water filling should be controlled manually. The in built pressure switch is provided to ensure minimum water level of 25 Ltrs. thus avoiding agitation without water.
- ? Fill fresh water for rinsing operation.
- ? Program the machine (Normal/Rinse and Spin)
- ? Press Start
- ? Machine Rinses as per the selected Program and stops.
- ? SPIN
- ? Spin action will take place only if water level comes below less than 12 Itrs. inside the TUB.

---

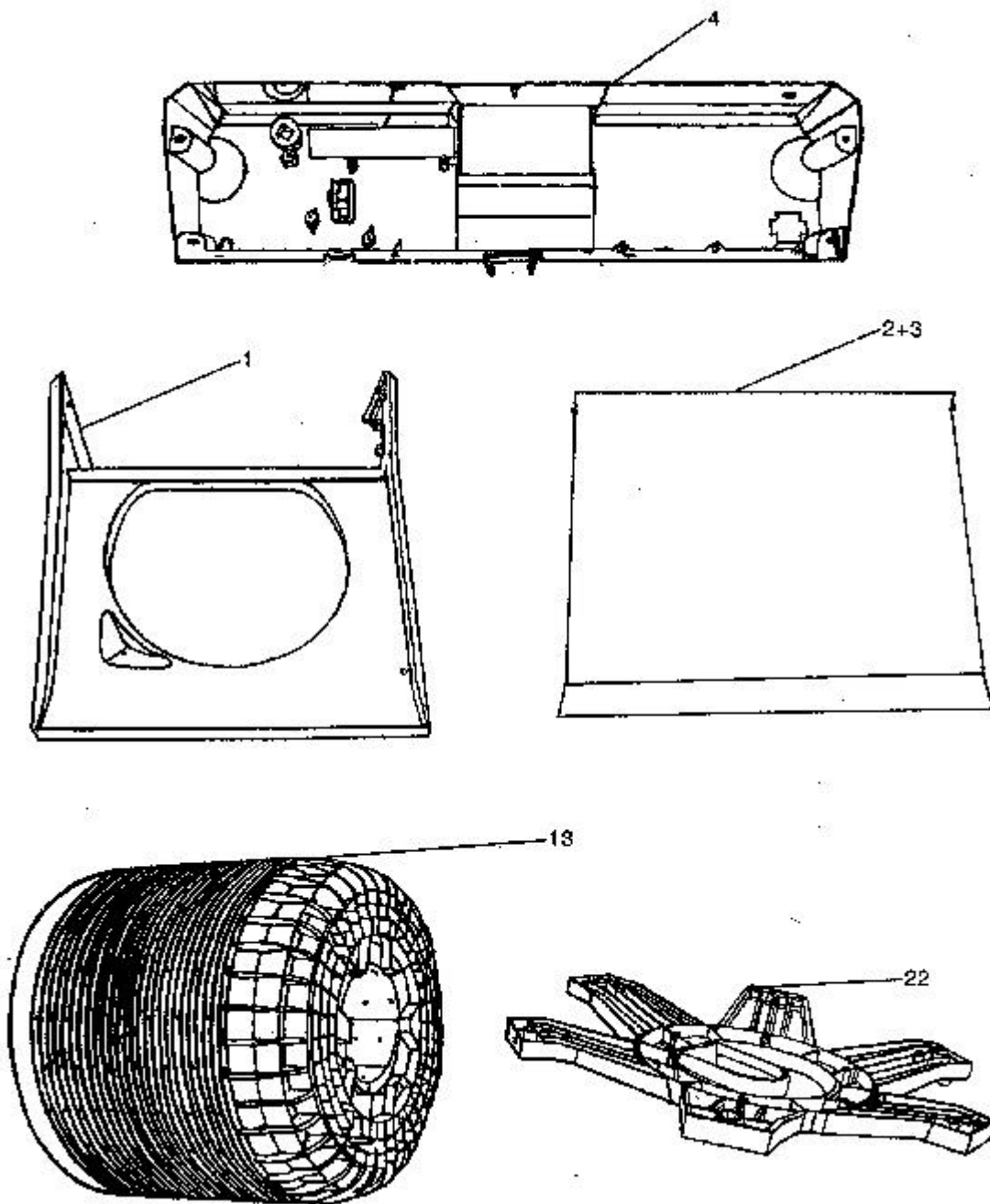
This document is only intended for qualified technicians who are aware of the respective safety regulations.  
Revised on 07/01/2003                      Subject to modification  
Document No. WOI/WM/2003/001

# MACHINE COMPONENTS



This document is only intended for qualified technicians who are aware of the respective safety regulations.  
 Revised on 07/01/2003 Subject to modification  
 Document No. WOI/WM/2003/001

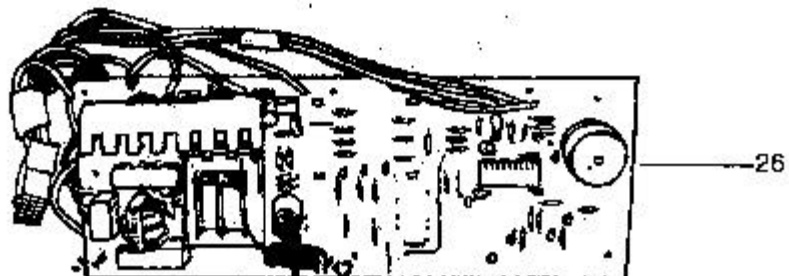
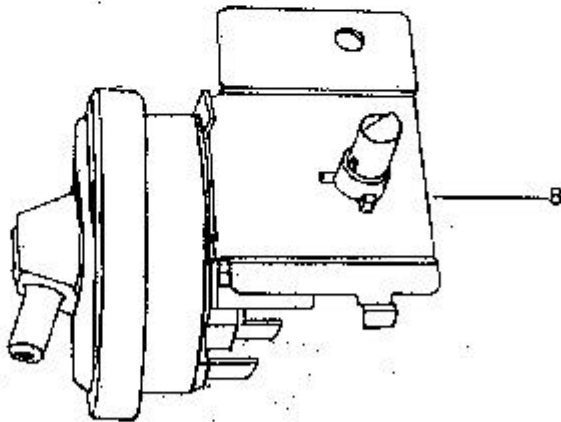
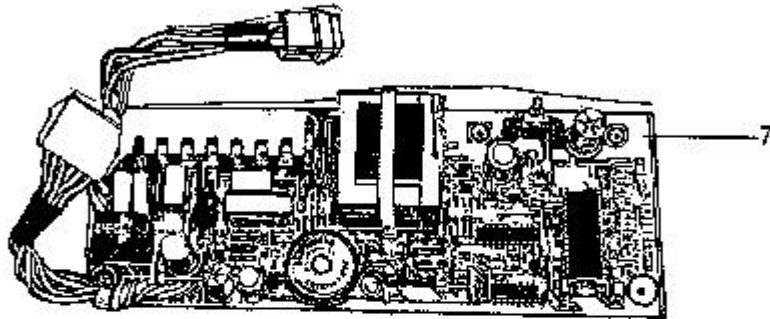
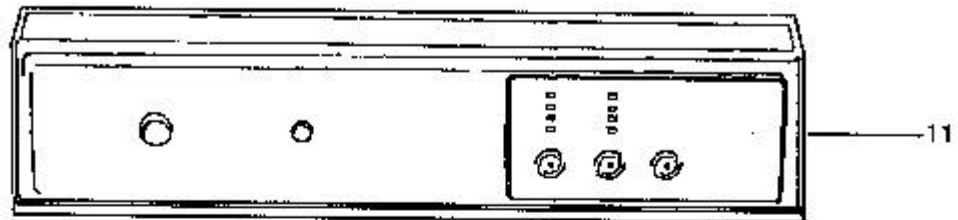
# EXPLODED VIEW



---

This document is only intended for qualified technicians who are aware of the respective safety regulations.  
Revised on 07/01/2003 Subject to modification  
Document No. WOI/WM/2003/001

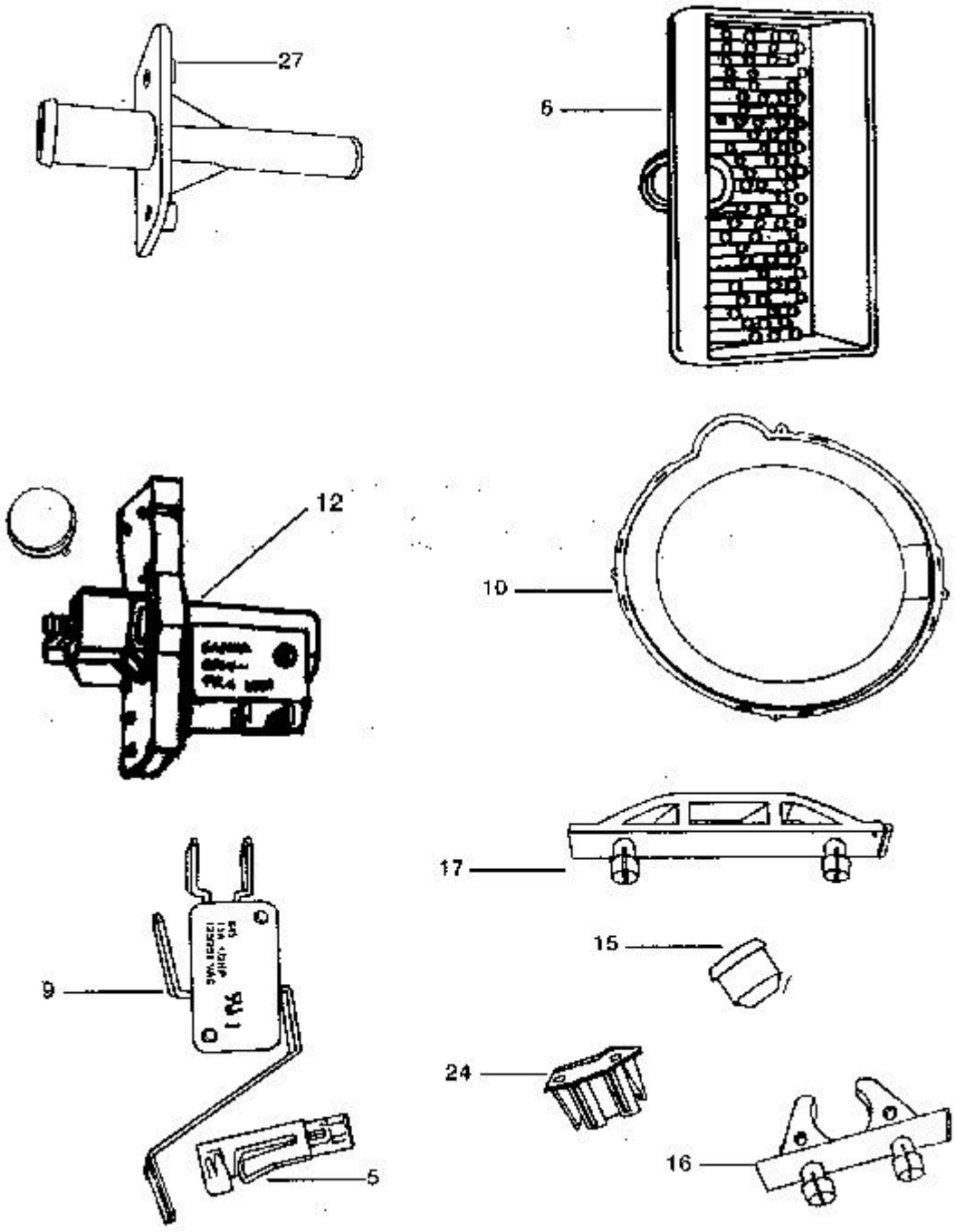
## EXPLODED VIEW



---

This document is only intended for qualified technicians who are aware of the respective safety regulations.  
Revised on 07/01/2003 Subject to modification  
Document No. WOI/WM/2003/001

# EXPLODED VIEW



This document is only intended for qualified technicians who are aware of the respective safety regulations.  
Revised on 07/01/2003 Subject to modification  
Document No. WOI/WM/2003/001



## PART LIST

SL. NO.	PART NUMBER	DESCRIPTION	QTY.
1.	PO1 2930 1501	TOP	1
2.	PO1 2960 1501	LID (TOP)	1
3.	PO1 2960 1502	LID (BOTTOM)	1
4.	PO1 2941 1502	PROTECTOR	1
5.	PO1 2960 1503	HINGE	1
6.	PO1 2931 1501	DUCT	1
7.	PO1 2954 3501	ET BOARD ASSY.	1
8.	PO1 2941 2701	PRESSURE SWITCH	1
9.	PO1 2930 2701	LID SWITCH	1
10.	PO1 2910 1501	TUB RING	1
11.	PO1 2941 1501	PANEL CONSOLE	1
12.	PO1 2950 2701	ON/OFF SWITCH	1
13.	PO1 2913 1501	PLASTIC BASKET	1
14.	PO1 2910 5101	PLUG - AIR DOME	1
15.	PO1 2930 1601	PLUG TOP	1
16.	PO1 2930 1503	HOLDER POWER CORD	1
17.	PO1 2930 1502	HOLDER FILL/DRAIN HOSE	1
18.	PO1 2941 6601	ESCUT CHEON (BLANK)	1
19.	PO1 2916 2601	WIRING HARNESS	1
20.	SO1 1280 T048	STAINLESS STEEL SCREW (M6X27)	1
21.		DRIVE ASSY.	1
22.	PO1 2913 0502	HUB (MACHINED)	1
23.	PO1 2910 5102	HOSE-PRESSURE SWITCH	1
24.	PO1 2921 1501	NUT PUSH IN.	1
25.		PR. SWITCH (SINDBERD)	1
26.	PO1 3051 3504	ET BOARD ASSY.	1
27.	PO1 3031 1501	CONNECTOR WATER INLET	1
28.	PO1 3016 2601	WIRING HARNESS	1
29.		PANEL CONSOLE	1
30.	PO1 3030 1501	HOLDER FILL HOSE	1

Modified parts list follows

---

This document is only intended for qualified technicians who are aware of the respective safety regulations.  
 Revised on 07/01/2003 Subject to modification  
 Document No. WOI/WM/2003/001

## PARTS LIST

Part Code	Description	3775
P0132003300	ACCEPTANCE STICKER	1
P014290020A	ADHESIVE TAPE - WHIRLPOOL	1
P010110010E	AGITATOR	1
P010113020A	BALANCE RING ASSY (APWH)	1
P0129130100	BASKET ASSY. COMPLETE - AGI PL5	1
S012620010A	BEARING-BALL SEALED	2
P012900010A	BRACKET SUSPENSION	1
P010111500D	BRACKET-CAPACITOR	1
P010111140B	BRAKE & ARM ASSY.	1
P0125210100	BUSH - CABINET	1
P010111400A	CAM RING-SPLUTCH	1
P010111520B	CAM-SPLUTCH	1
P0168160200	CAPACITOR- 110V/50HZ	1
S014010100A	CLAMP - ID 13.9/13.3	1
S014010010A	CLAMP-33 DIA.	2
1120000003	CLING FILM (15 MICRON, 150 mm, 600 m)	1
P010142030C	CLIP - CONTROL KNOB	1
S011000010C	COACH BOLT - M8 X 20	1
P014311030A	CONNECTOR - TORQUE MOTOR	1
P012941250G	CONTROL PANEL - (A) APWH	1
P0168400600	CONTROL PANEL ASSY (APWH)AGIPL5,110V	1
P012990110C	CORNER POST - WW	1
P0168200100	COVER DRAIN HOLE (WHITE) - PUMP	1
P0101111200	CUP WASHER - PULLEY SPLUTCH	1
P0129900600	CUSHION - CONTROL PANEL A/S	1
P012990120B	CUSHION BALANCE RING (A/S)	1
P012990130D	CUSHION BOTTOM - WW	1
P0136180100	DRAIN HOSE - EXPORT	1
P012911080A	DRIVE ASSY - WW (PES) - ADC	1
P0168114600	DRIVE BELT - 60HZ	1
P012913020B	DRIVE HUB - MACHINED (PL. BASKET)	1
P012931010A	DUCT (A/S)	1
P010111180B	DUMP VALVE ASSY.	1
P0127410300	EARTH WIRE ASSY (WW)	1
P012941150F	escutcheon(a) - cogy	1
P0172710100	FILL HOSE ASSY. COMP. - Barbados	1
P010770010C	FOOT	1
P0110100200	GUIDE - LEFT DRAIN	1
P012960030B	HINGE (A/S)	1
P012531010B	HOSE - COLD VALVE (TM)	1
P0152100100	hose - tub to dv ( heater)	1
P011011010C	HOSE CONNECTOR (L BEND) APP. WHITE (S)	1
P0168200200	HOSE-L.BEND TO PUMP	1
P010110100A	HOSE-TUB OVER FLOW	1

This document is only intended for qualified technicians who are aware of the respective safety regulations.  
 Revised on 07/01/2003 Subject to modification  
 Document No. WOI/WM/2003/001

Part Code	Description	3775
P014320020A	HOUSING - FIXED FOOT	1
P0143200600	HOUSING ADJUSTABLE FOOT	1
P012960190E	LID - BOTTOM (A/S) - APWH	1
P012960180G	LID (TOP) (A/S) - APWH	1
P012960170C	LID ASSEMBLY WITH GLASS(A/S)APWH	1
P012960040B	LID GLASS - A/S	1
P0129901700	LID PAD - A/S	1
S0116300100	LOCK WASHER - M8 (BRAKEBAND&CLUTCH ARM)	1
P010111130C	LOCK-SOLENOID BRAKE ARM	1
P012911040A	MOTOR PLATE WITH BEARING	1
P0168160300	MOTOR (110V) - WW	1
P0173110500	MOTOR PLATE ASSY - 110V with Pump	1
P0168114100	MOTOR PULLEY ASSY - WW (60HZ)	1
S011590010A	NUT NYLOC	2
S011590020B	NUT-PUSH IN	1
P012990160A	PAD - CUSHION BOTTOM (WW)	1
P0168540100	PCB ASSEMBLY (A) 110V,	1
P0106900900	PLASTIC BAG	1
P03CA10060C	PLUG - INLET VALVE - COOL GREY 2C	1
P012930130A	PLUG - TOP (A/S) APWH	1
P011650010C	POWER "ON-OFF" SWITCH	1
P012941010H	PRESSURE SWITCH (A)	1
P0168400700	PROTECTOR ASSY (APWH) A/S(W.PUMP),110V	1
P010111150E	PULLEY - SPLUTCH	1
P013822040A	PUMP - PLASET - 110 ~ 127V -60 HZ	1
P0173220100	PUMP ASSY.COMP - 110V	1
P011114020B	RETAINER - SPRING (FRONT)	1
P010113110B	SADDLE BLOCK	1
P010111510D	SEAL-TUB SUPPORT	1
P010111070E	SLIDER-SPLUTCH	1
S011600250A	SPACER - 12 X 5 X 3 THICK.	1
P010111390A	SPRING - SPLUTCH (CONICAL)	1
P0101101100	SPRING-RETAINER	1
P010100010A	STRAIN RELIEF - SBR 52	1
P010110030A	STRAP-SNUBBER	1
P011114010B	SUSP. ASSEMBLY (FRONT)	1
P010114020G	SUSP.ASSY. (REAR)	1
P010100020A	SUSPENSION BALL-UPPER	1
P012930140D	SWITCH KICKOUT (A/S)	1
P011210040B	THROUGH CAB. CONNECTOR	1
P0168310300	TOROID COIL MODULE - (110V)	1
P0168310100	TORQUE MOTOR (110V)	1
P010112000C	TUB ASSY.	1
P012910010E	TUB RING (A/S) - APWH	1
P0101110100	TUB SUPP. BRG & SEAL ASSY	1
P010115010A	TUBE & DISPENSER ASSY.	1

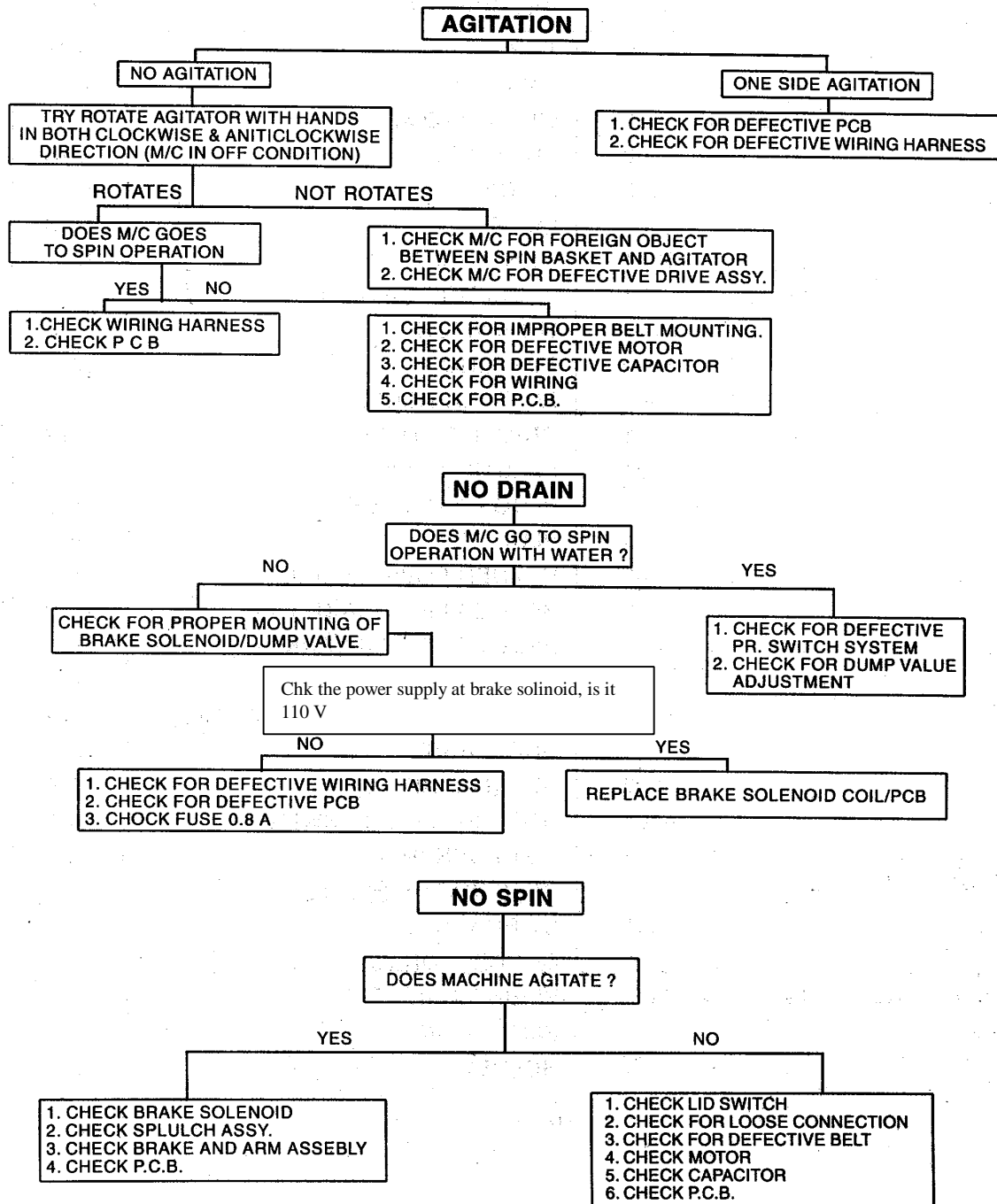
This document is only intended for qualified technicians who are aware of the respective safety regulations.  
Revised on 07/01/2003 Subject to modification  
Document No. WOI/WM/2003/001

Part Code	Description	3775
S0140000100	TWIST CLIP	2
P0168800100	USER MANUAL - A/S 110V,	1
S011600070A	WASHER	2
S0116001900	WASHER - 4.75 X 12 X 1.2 THK.	2
S0116001600	WASHER (13 X 23 X 1)	1
S0116001800	WASHER (9 X 17 X 1.6)	1
P010171140E	WASHER FAUCET M/C END	1
S0116000100	WASHER-PULLEY	1
P0168310200	WATER INLET VALVE (110V)	1
S0140000200	WH / HOSE HOLDER	2
P0168160500	WIRING HARNESS (A) 110V,(WITH PUMP)	1

---

This document is only intended for qualified technicians who are aware of the respective safety regulations.  
Revised on 07/01/2003 Subject to modification  
Document No. WOI/WM/2003/001

# FAULT FINDING-GUIDE



This document is only intended for qualified technicians who are aware of the respective safety regulations.  
 Revised on 07/01/2003 Subject to modification  
 Document No. WOI/WM/2003/001

## Free Manuals Download Website

<http://myh66.com>

<http://usermanuals.us>

<http://www.somanuals.com>

<http://www.4manuals.cc>

<http://www.manual-lib.com>

<http://www.404manual.com>

<http://www.luxmanual.com>

<http://aubethermostatmanual.com>

Golf course search by state

<http://golfingnear.com>

Email search by domain

<http://emailbydomain.com>

Auto manuals search

<http://auto.somanuals.com>

TV manuals search

<http://tv.somanuals.com>