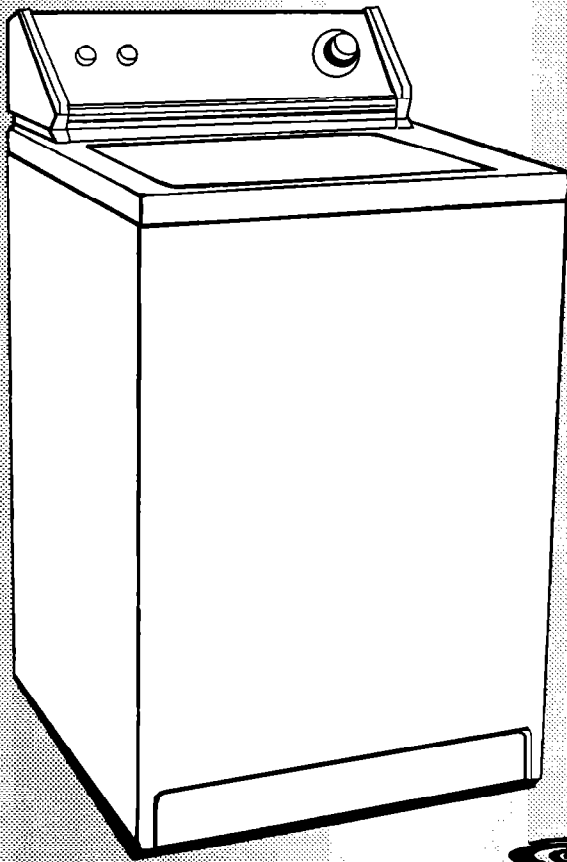


✓ Installation Instructions



**240-volt
50-Hz
Washer**



**IMPORTANT:
Read and save these instructions.**

IMPORTANT:

Installer: Leave Installation Instructions with the homeowner.

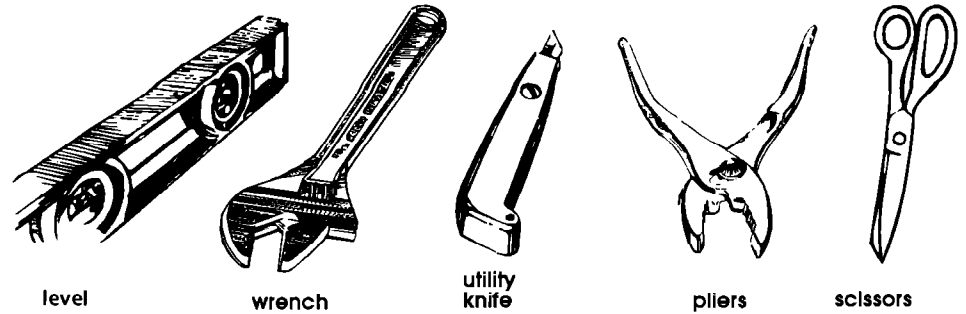
Homeowner: Keep Installation Instructions for future reference.

Save Installation Instructions for local electrical inspector's use.

Part No. 3948875

Download from www.Somanuals.com. All Manuals Search And Download.

✓ Tools needed for installation:



level

wrench

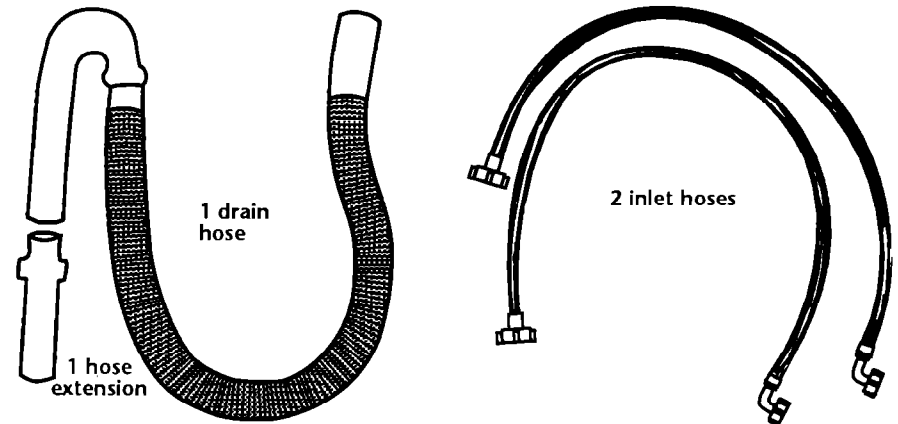
utility
knife

pliers

scissors

✓ Parts supplied for installation:

Remove parts from packages. Check that all parts were included.

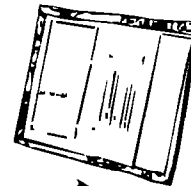


1 drain
hose

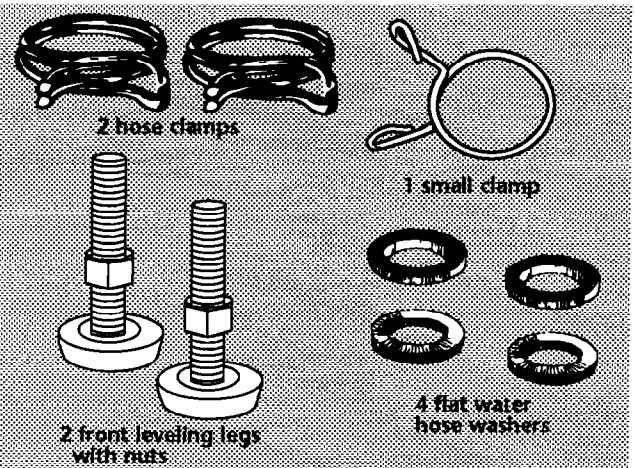
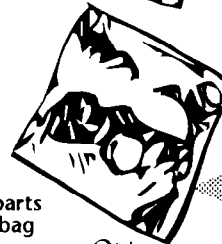
1 hose
extension

2 inlet hoses

literature package



parts
bag



2 hose clamps

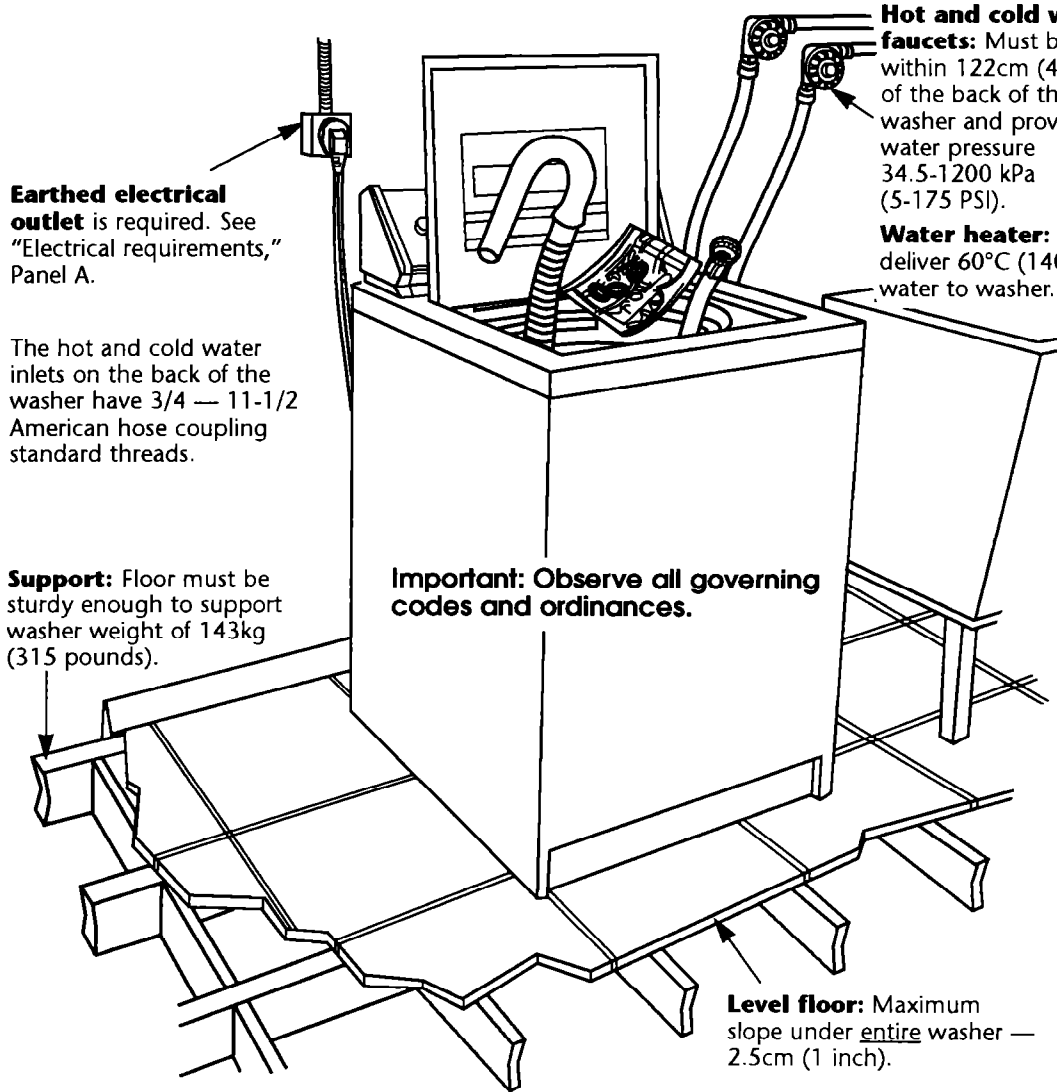
1 small clamp

2 front leveling legs
with nuts

4 flat water
hose washers

Before you start...

Location of washer: Check location where washer will be installed. Make sure you have everything necessary for correct installation. Proper installation is your responsibility.



Do Not store or operate washer below 0°C (32°F) (some water may remain in washer). See Use & Care Guide for "Winterizing" information.

Recessed area instructions...

This washer may be installed in a recessed area or closet.

The installation dimensions shown are the minimum spaces allowable. Additional spacing should be considered for ease of installation and servicing.

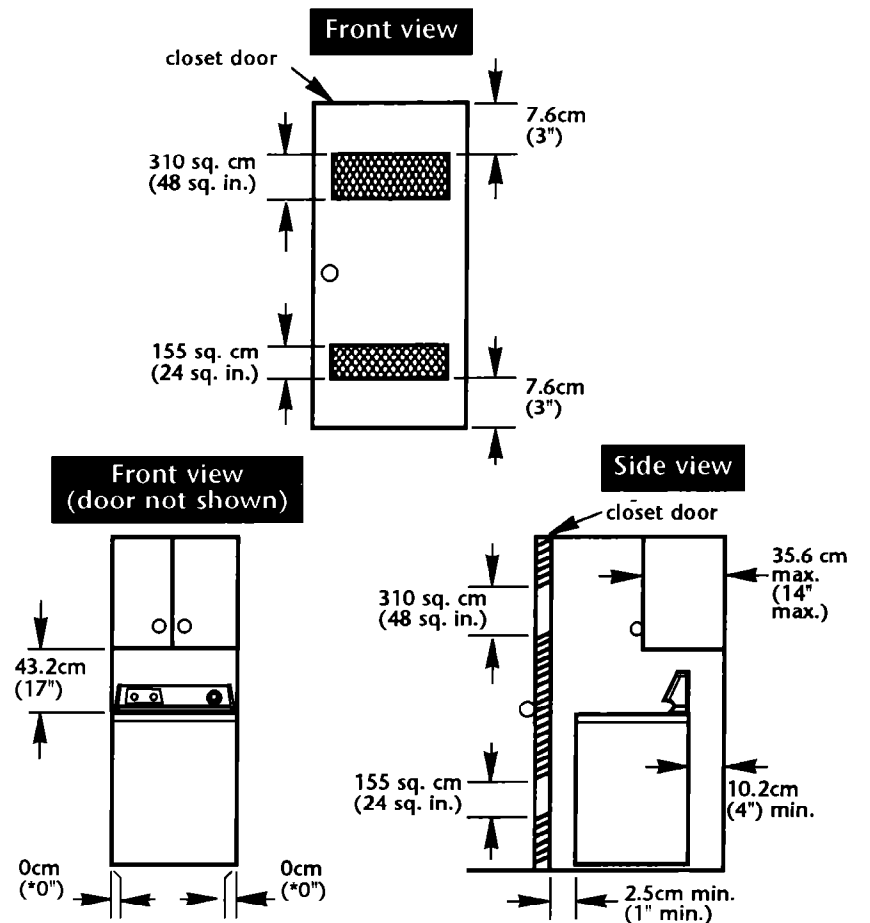
If closet door is installed, the minimum air openings in top

and bottom of door are required. Louvered doors with air openings in top and bottom are acceptable.

Companion appliance spacing should be considered.

Minimum installation spacing

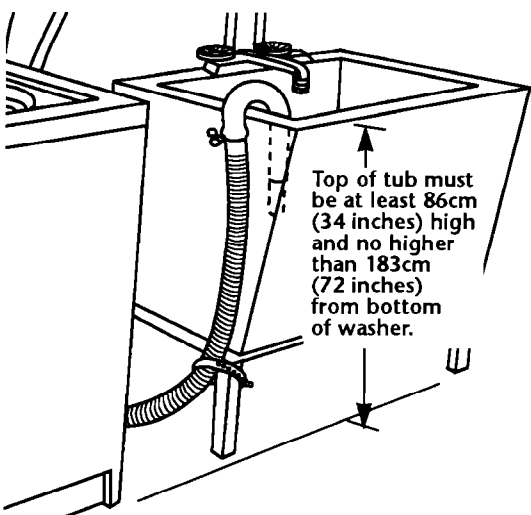
* Additional clearances for wall, door and floor moldings may be required.



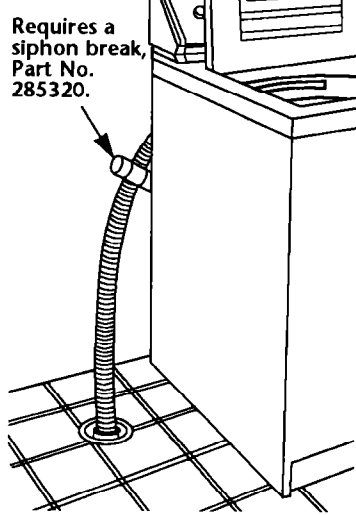
Drain system: Untape and open washer lid. Remove packages, hoses and literature rack from washer.

1. Laundry tub drain system:

Needs a 76-liter (20-gallon) laundry tub.

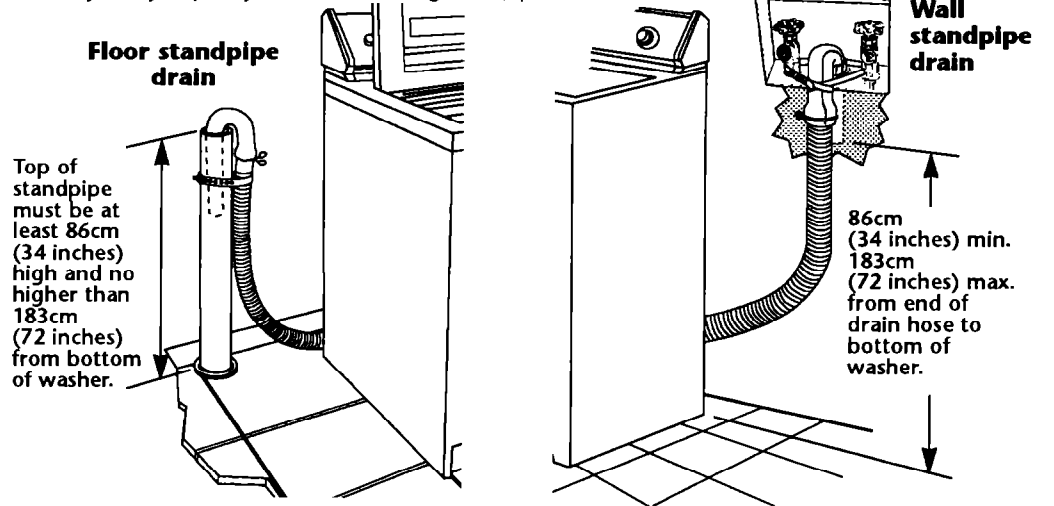


2. Floor drain system:



3. Standpipe drain system:

Needs a 51-mm (two-inch) minimum diameter standpipe with minimum carry-away capacity of 64 liters (17 gallons) per minute.



If a longer drain hose is needed, use drain hose extension kit (Part No. 285702). If drain hose must be shortened, use kit (Part No. 285442). Both kits are available from Whirlpool-authorized parts distributors.

Electrical requirements

WARNING

Electrical Shock Hazard

Electrical earth is required on this appliance. Do Not earth to a gas pipe. Do Not change the power supply cord plug. If it does not fit the outlet, have a proper outlet installed by a qualified electrician.

Failure to follow these instructions could result in death or serious injury.

Do Not use an extension cord with this appliance. Do Not have a fuse in the neutral or earthing circuit. Check with a qualified electrician if you are in doubt as to whether the appliance is properly earthed.

A 240-volt, 50-Hz, 8-amp, fused electrical supply is required. Time-delay fuse or circuit breaker is recommended. It is recommended that a separate circuit serving only this appliance be provided.

Recommended earthing method

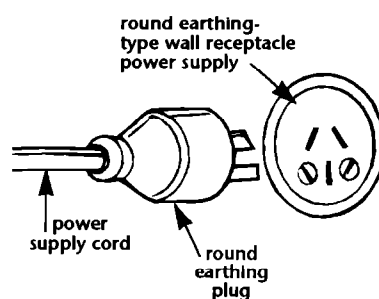


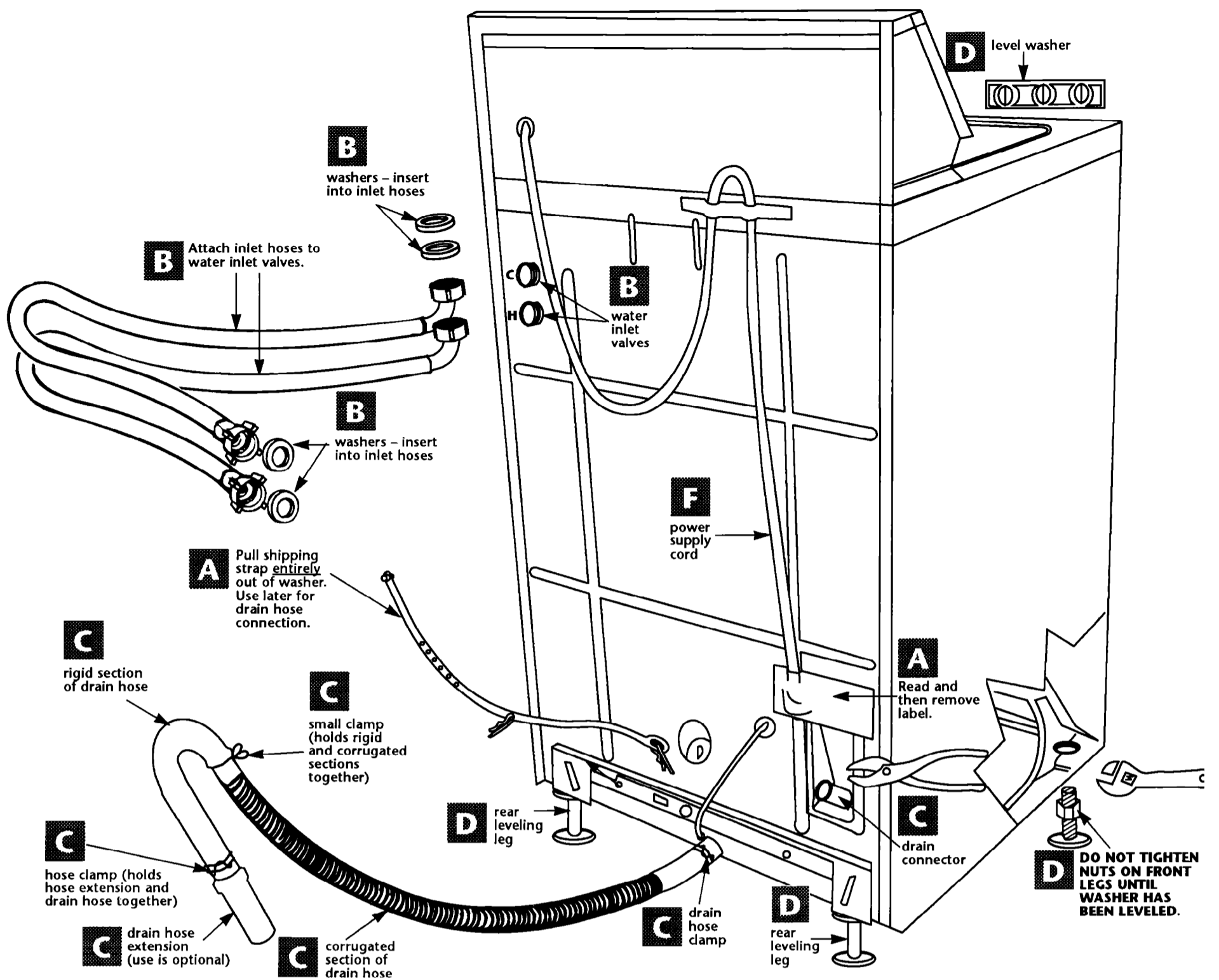
Figure 1

For your personal safety, this appliance must be earthed. This appliance is equipped with a power supply cord having an earthing plug.

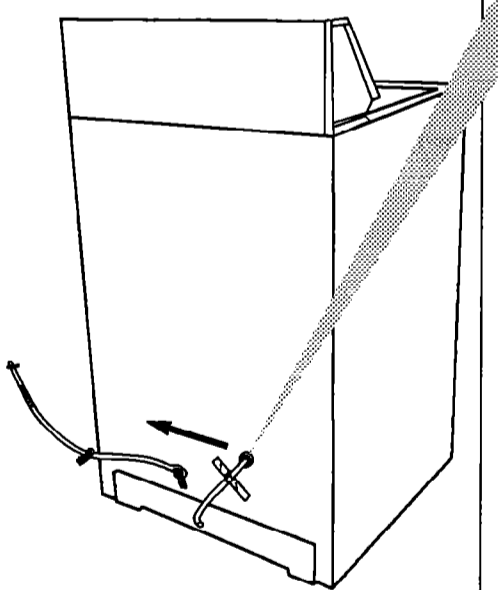
If the power supply cord of this washer is damaged, it must be replaced by a special cord, (Part No. 3353308), available from the dealer from whom you purchased the washer, or an authorized Whirlpool service company.

To minimize possible shock hazard, the cord must be plugged into a mating earthing-type wall receptacle, earthed in accordance with local codes and ordinances. If a mating wall receptacle is not available, it is the personal responsibility and obligation of the customer to have the proper earthed wall receptacle installed by a qualified electrician. See Figure 1 to determine the proper mating wall receptacle for the power supply cord plug

Now start... With washer in laundry area.

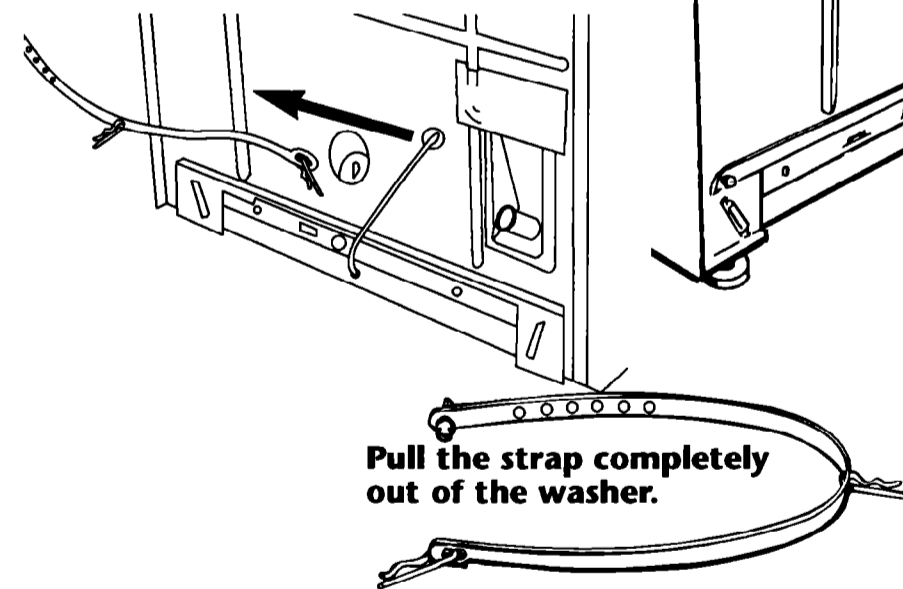


A Preparation:



Remove shipping strap.

1. Completely remove the shipping strap with 2 cotter pins from the inside of the washer.

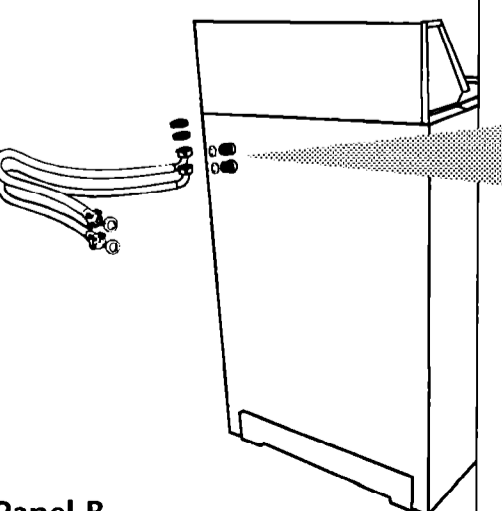


Pull firmly to remove the other end of shipping strap from the back of the washer to release self-leveling legs.

Save the shipping strap for use in Step 16.

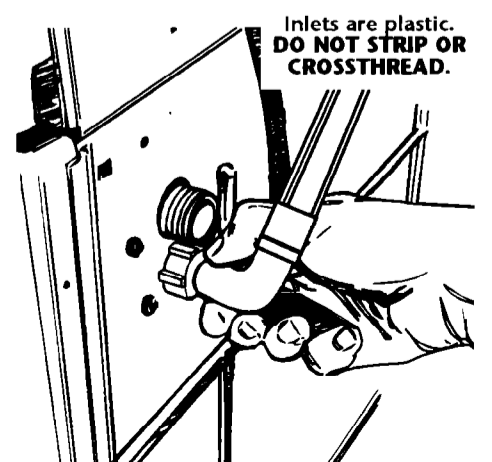
2. Read, then remove label that covers power supply cord and drain connector. Peel the tape down and off each side of cabinet.

B Inlet hose connection:

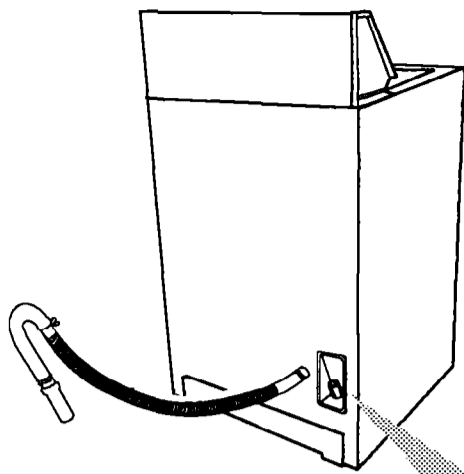


Use new hoses and washers that came with your washer.

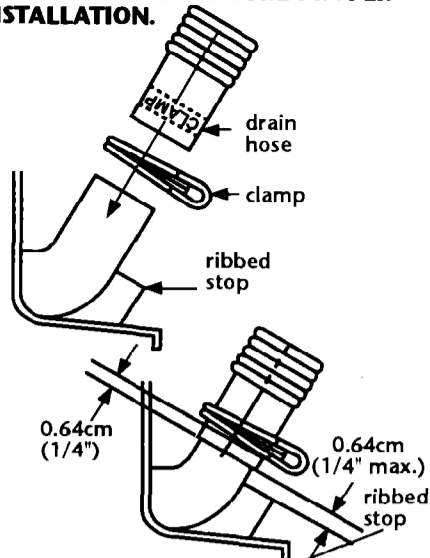
3. Insert a flat washer into **each** end of the inlet hoses. Check that washers are firmly seated in couplings.
4. Attach hose to bottom inlet valve opening first; then second hose to top inlet. Tighten couplings. **DO NOT OVERTIGHTEN;** this could cause damage to couplings. **Elbow end of hoses attaches to washer.**



C Drain hose connection:



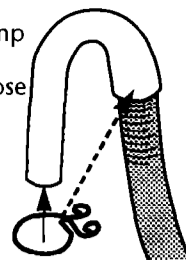
IMPORTANT: THIS PROCEDURE MUST BE FOLLOWED TO ASSURE PROPER INSTALLATION.



5. To prevent the drain hose from coming off or leaking, it must be installed per the following instructions.

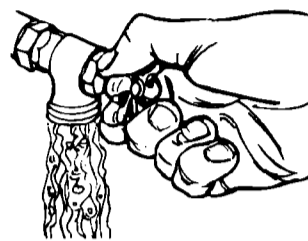
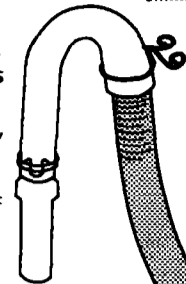
- Wet the inside end of the drain hose with tap water. **DO NOT USE ANY OTHER LUBRICANT.**
- Squeeze ears of one hose clamp with pliers to open and place clamp over the end of the drain hose.
- Open clamp and push end of drain hose onto drain connector until hose contacts ribbed stop.
- Place clamp over area marked "clamp". Release clamp.

6. Open small clamp and slide over "hook" end of drain hose to secure the rigid and corrugated sections together.



If drain hose does not fit into standpipe or is being placed over the edge of a laundry tub, open other hose clamp with pliers and place clamp over rigid end of drain hose.

Insert end of hose extension into rigid end of drain hose up to stops on the sides of hose extension. Secure with clamp.



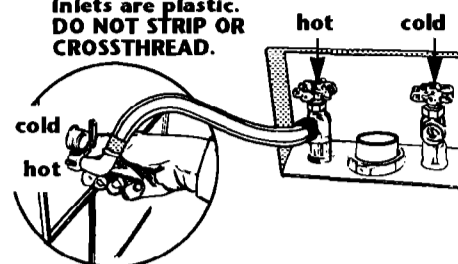
7. Run water through both faucets into a bucket to get rid of particles in the water lines that might clog hoses. Mark the hot water faucet.

SLIDE WASHER ONTO CARDBOARD OR HARDBOARD BEFORE MOVING ACROSS FLOOR.

8. Move washer close to final position. Put "hook" end of drain hose into laundry tub or standpipe. Check for proper length of drain hose.

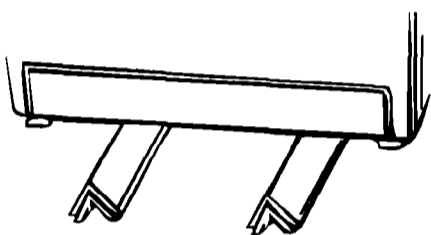
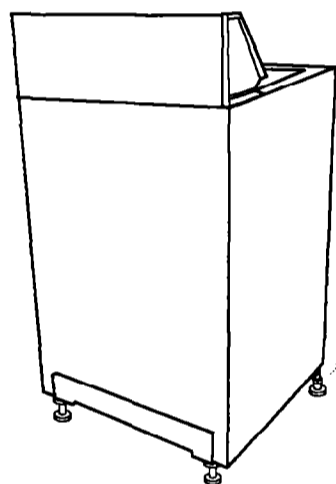
DO NOT FORCE EXCESS LENGTH OF DRAIN HOSE DOWN THE STANDPIPE. THIS COULD CAUSE SIPHONING.

Inlets are plastic. **DO NOT STRIP OR CROSSTHREAD.**

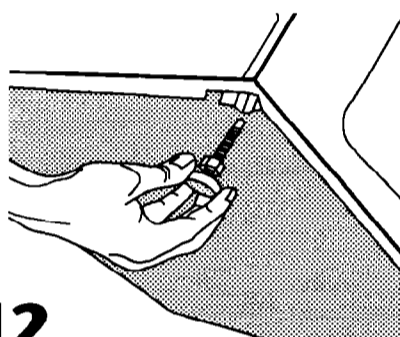


9. Attach bottom hose (inlet marked "H") to hot water faucet. Attach top hose (inlet marked "C") to cold water faucet. Adapters may be necessary to connect the hoses to the faucets. Tighten couplings to faucets. **DO NOT OVERTIGHTEN;** this could cause damage to couplings.

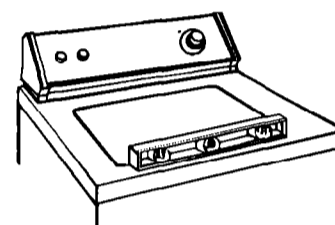
D Leveling washer:



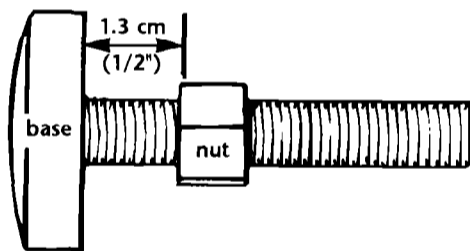
10. Stack two corner posts on top of each other. Tilt washer backwards and insert corner posts 7.6 cm (3 inches) from one side of washer as shown. Repeat with other corner posts on other side of washer.



12. Insert legs into correct holes at each front corner of washer until nuts touch washer. **DO NOT** tighten nuts until Step 15.



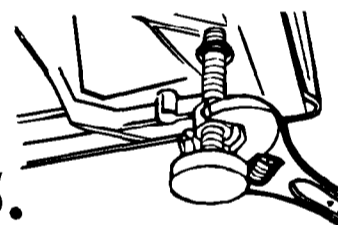
14. Tilt washer forward, raising back legs 2.5 cm (1 inch) off of floor to adjust rear self-leveling legs. Gently lower washer to floor. Check levelness of the washer by placing a carpenter's level on top of the washer, first side to side; then front to back.



11. Screw nut down on legs to within 1.3 cm (1/2 inch) of base.

13. Tilt washer backward and remove corner posts. Gently lower washer to floor.

Move washer to its final location. Remove cardboard or hardboard from under washer.



15. If washer is not level, adjust the front legs up or down. Repeat Step 14. **When washer is level, use wrench to turn nuts on front legs up tightly against washer base. If nuts are not tight against washer base, the washer may vibrate.**

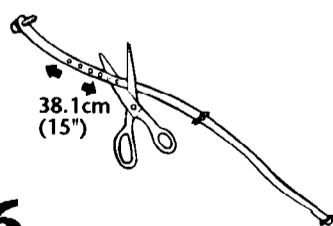
E Securing drain hose:

! WARNING

Injury Hazard

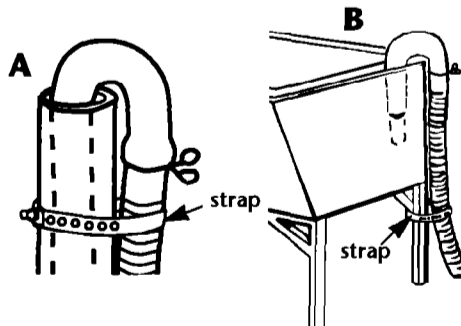
Use shipping strap to secure drain hose. Water pressure could cause drain hose to come out of standpipe or laundry tub if drain hose is not secured.

Failure to secure drain hose could result in injuries from slipping and falling in water on floor.



16. After strap has been removed from washer (Step 1), measure and mark a point approximately 38.1 cm (15 inches) from the plug end of the shipping strap. Cut the shipping strap at this point.

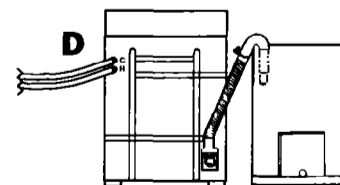
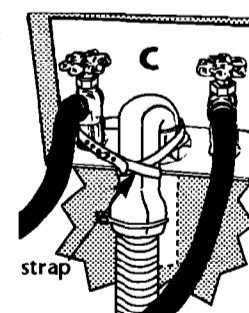
Check that hose is not twisted or kinked and is securely in place.



Put "hook" end of drain hose in laundry tub or standpipe. Tightly wrap the shipping strap around the drain hose and laundry tub or standpipe or inlet hose as shown in Figures A-B. Push plug into the nearest hole in the shipping strap.

If the water inlet faucets and drain standing pipe are recessed, put "hook" end of drain hose in tub or standpipe. Tightly wrap the shipping strap around the drain hose and faucet body (not the handles or stems) as shown in Figure C.

Push plug into the nearest hole in the shipping strap.

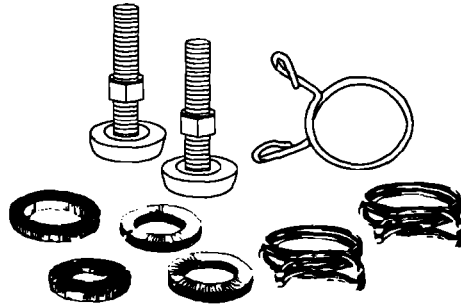


If a longer drain hose is needed, drain hose extension kit (Part No. 285702) is available from authorized parts distributors. If drain hose must be shortened, use hose kit (Part No. 285442).

Note: If washer is moved to adjust drain hose, the washer must be leveled again. Repeat Steps 14-15. Place cardboard under the washer and carefully move washer to avoid damaging floor covering.

F Completing Installation

17. CHECK ELECTRICAL REQUIREMENTS. BE SURE YOU HAVE CORRECT ELECTRICAL SUPPLY AND RECOMMENDED EARTHING METHOD.



18. Check that all parts are now installed. If there is an extra part, go back through steps to see which step was skipped.

19. Turn on water faucets and check for leaks. Tighten couplings if there is leaking. **DO NOT OVERTIGHTEN;** this could cause damage to couplings.



20. Check that you have all of your tools. Check that the shipping strap was removed from the back of the washer and used to secure the drain hose.

21. Untape and plug power supply cord into earthed outlet.

22. Read the Use and Care Guide. Start the washer and allow it to complete the regular cycle.

Congratulations!

You have successfully installed your new Whirlpool washer. To get the most efficient use from your new washer, read your Whirlpool Use and Care Guide.

Keep Installation Instructions and Guide.

G Need Assistance?

Call your dealer or local authorized service company.

When you call, you will need the washer model number and serial number. Both numbers are on the model/serial rating plate located under the washer lid and on the top of the washer.



Free Manuals Download Website

<http://myh66.com>

<http://usermanuals.us>

<http://www.somanuals.com>

<http://www.4manuals.cc>

<http://www.manual-lib.com>

<http://www.404manual.com>

<http://www.luxmanual.com>

<http://aubethermostatmanual.com>

Golf course search by state

<http://golfingnear.com>

Email search by domain

<http://emailbydomain.com>

Auto manuals search

<http://auto.somanuals.com>

TV manuals search

<http://tv.somanuals.com>