

## EXPLOSIONADO DE PARTES



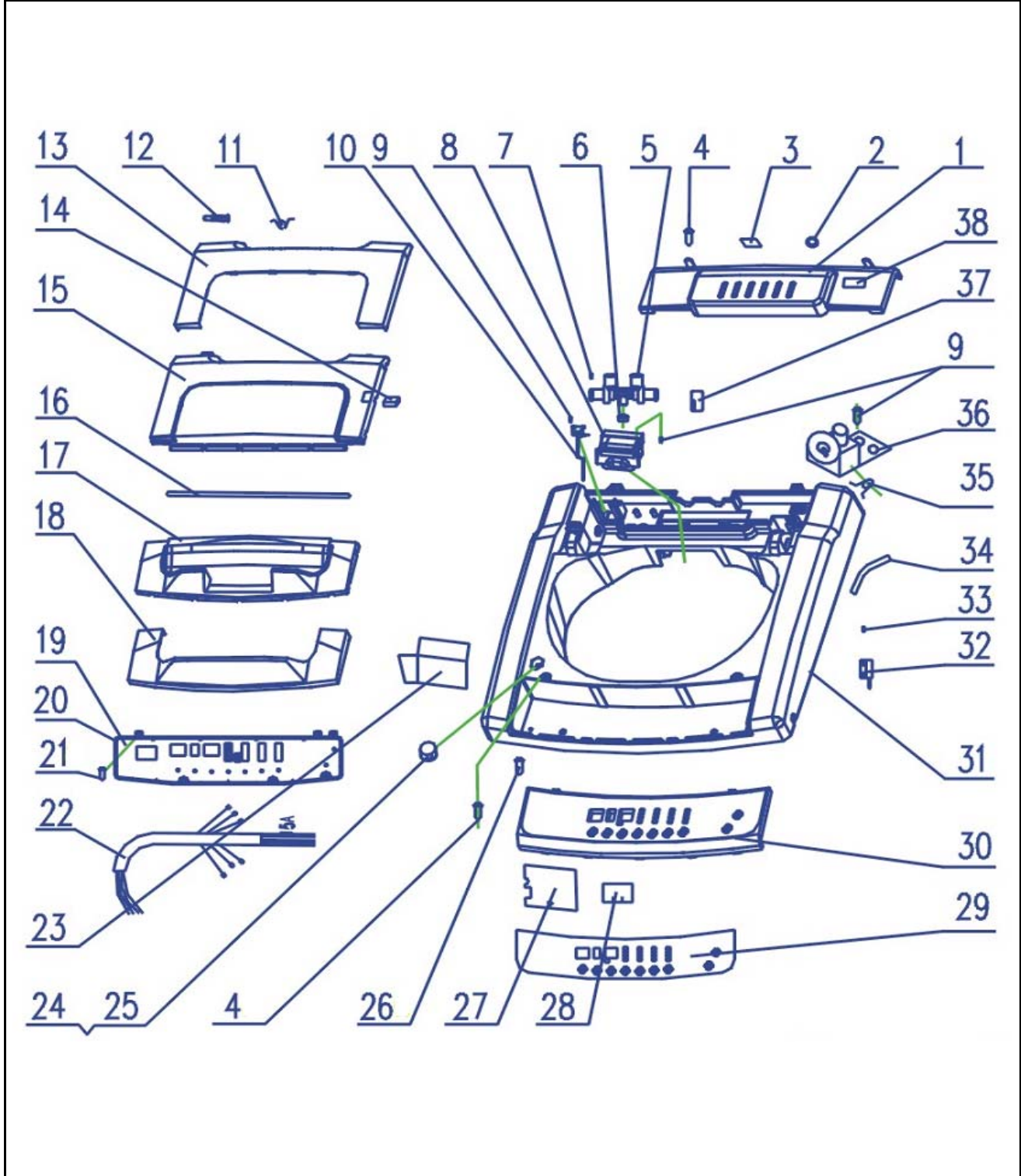
## LAVADORAS DE IMPORTACIÓN

Modelo:

7MWT9601WW0

Marca	Whirlpool
Capacidad	12 Kgs.
Color	White

TOP FRAME ASSEMBLY



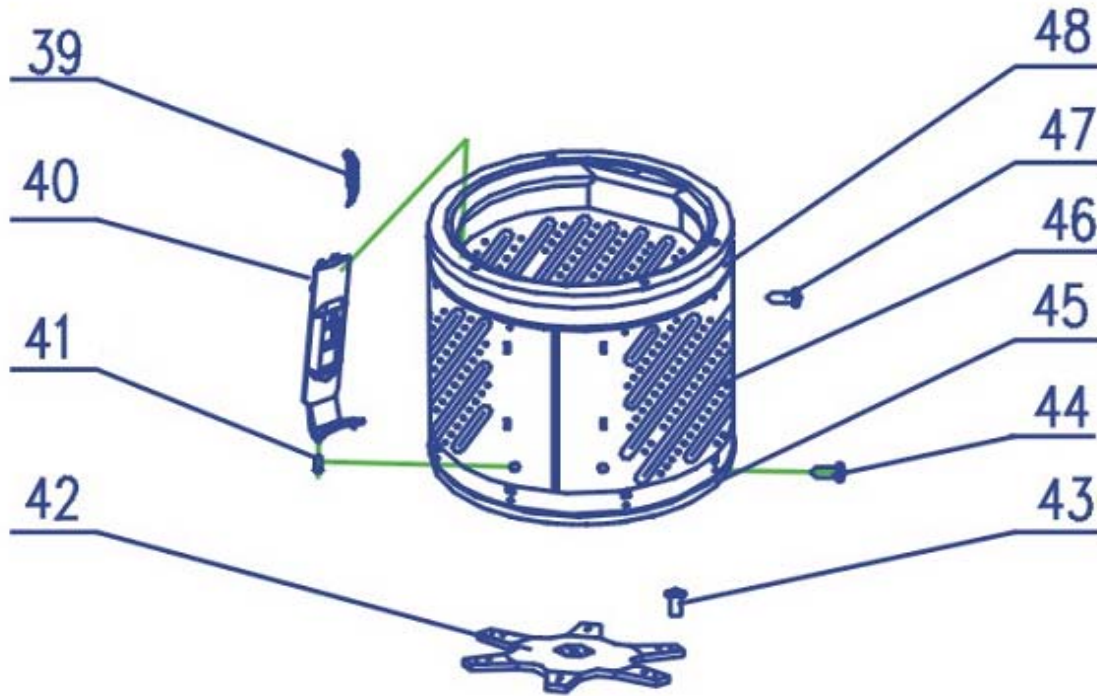


7MWT9601WW0

Marca		Whirlpool	
Capacidad		12 Kgs.	
Color		White	
TOP FRAME ASSEMBLY			
Ref	Descripción	Cant	Numero de Parte
1	Back board	1	301114800221
2	Seal for water inlet valve	2	301114800003
3	Cold and hot water marker	1	302000200892
4	Tapping screw M4x14 (Ni)	*	***
5	Double water inlet valve B	1	302411200038
6	Rubber sealed washer	1	302700300040
7	Tapping screw 4x16	*	***
8	Water inlet subassembly	1	301112002005
9	Tapping screw 4x12	*	***
10	Safety switch	1	302420800004
11	Hinge spring	1	302911200090
12	Pin	2	301115100009
13	Setting of back top lid	1	301114402158
14	Magnet	1	302411700002
15	Back top lid	1	301114402159
16	Lid steel wire	1	302911000019
17	Front top lid	1	301114402159
18	Setting of front top lid	1	301114402158
19	PCB board	1	301311001077
20	PCB tray	1	302311800052
21	Screw 3.5x11	*	***
22	Wiring harness	1	3024021B0002
23	Paper shield for top frame	1	300500390001
24	Gradienter	1	301114300013
25	Insert of gradienter	1	301114300115
26	Tapping screw 4x12	*	***
27	Paper shield for bolt pole	1	300500390000
28	Paper shield for control panel	1	300500390002
29	Decorative sticker	1	302000201184
30	Control panel	1	301114502049
31	Top frame	1	301114300114
32	Magnet switch	1	302411500025
33	Tapping screw 3.5x9	*	***
34	Air trap hose	1	301611000441
35	Small hose band	3	302911200015
36	Water level sensor	1	302411600009
37	Baffle for water inlet	2	301120990021
38	Safety label	1	302000200950

Marca	Whirlpool
Capacidad	12 Kgs.
Color	White

INNER TUB ASSEMBLY





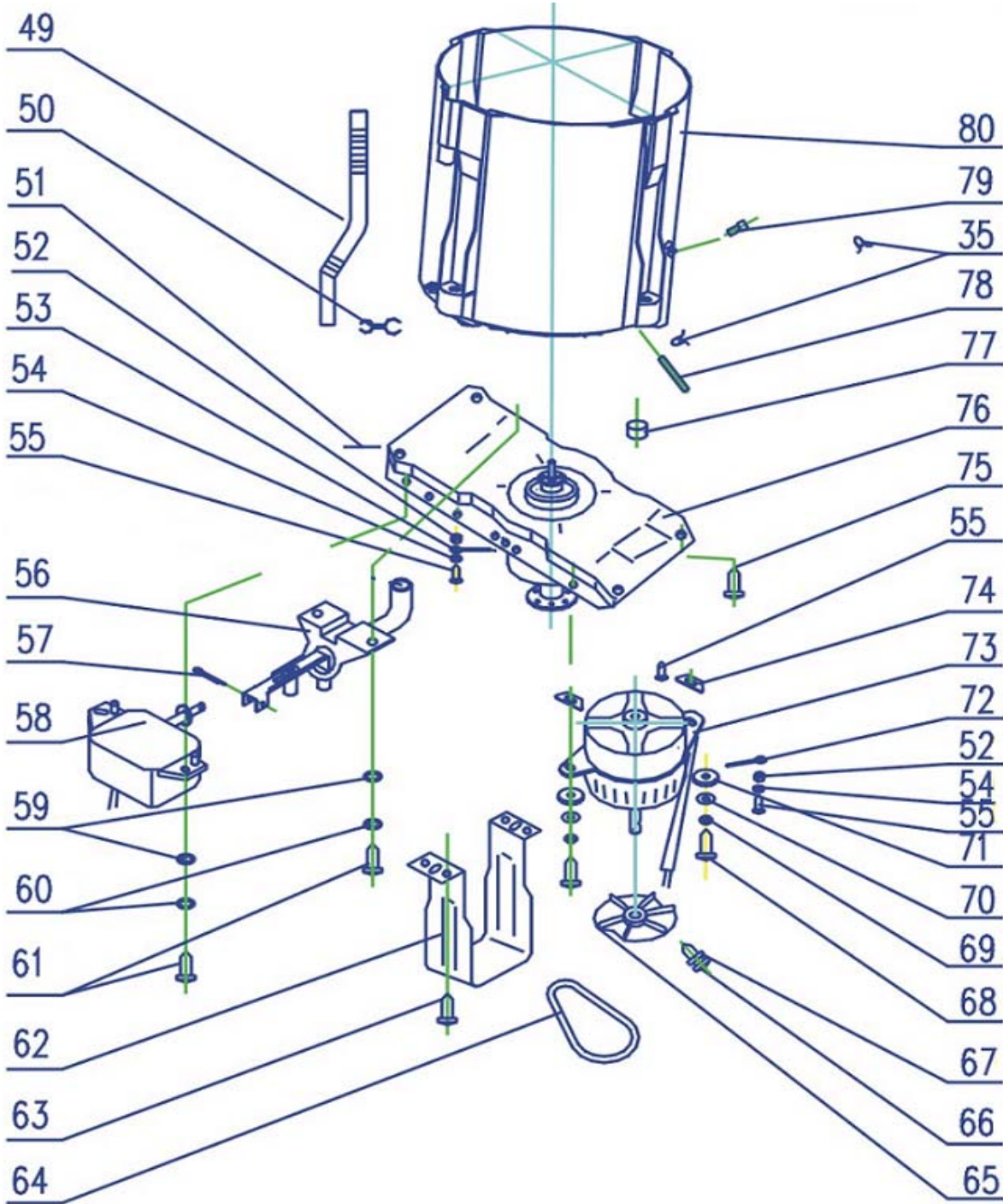
**7MWT9601WW0**

<b>Marca</b>		<b>Whirlpool</b>	
<b>Capacidad</b>		<b>12 Kgs.</b>	
<b>Color</b>		<b>White</b>	
<b>INNER TUB ASSEMBLY</b>			
<b>R e f</b>	<b>Descripción</b>	<b>C a n t</b>	<b>Numero de Parte</b>
39	Filter frame	1	301101400093
40	Water cycle	1	301115500065
41	Screw 4x12	*	***
42	Flange for inner-tub	1	301200500026
43	Screw for flange M6x20	6	302500300056
44	Screw for bottom of spin tub	*	***
45	Bottom of spin tub	1	301115400455
46	Spin tub	1	301214900021
47	Screw 4x16	*	***
48	Balancing ring	1	301115300466



Marca	Whirlpool
Capacidad	12 Kgs.
Color	White

OUTER TUB ASSEMBLY



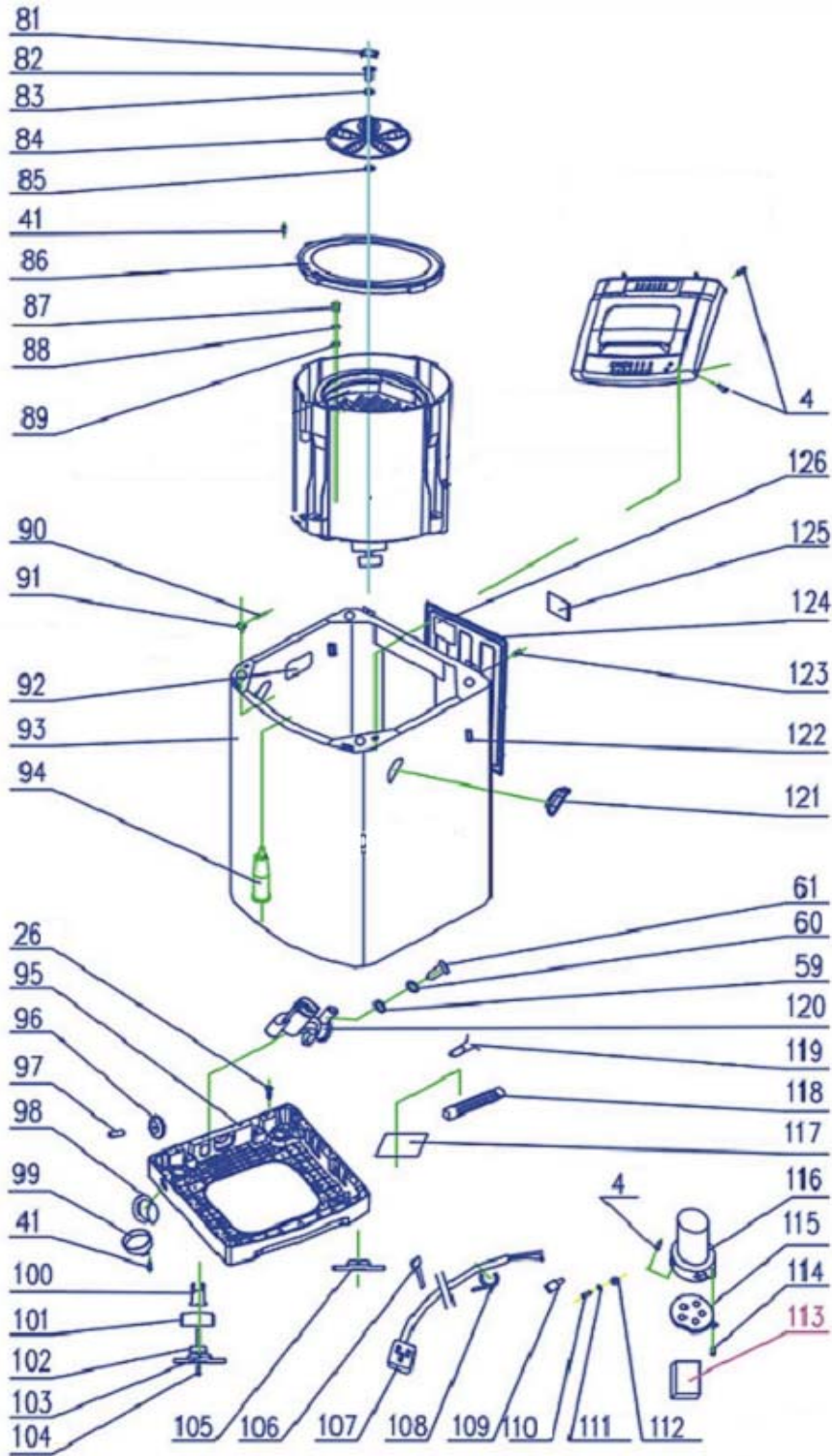


7MWT9601WW0

Marca		Whirlpool	
Capacidad		12 Kgs.	
Color		White	
OUTER TUB ASSEMBLY			
R e f	Descripción	C a n t	Numero de Parte
49	Overflow hose of up drain water	1	301120990018
50	Support for overflow hose of up drain	1	301120990017
51	Metal wire A	1	301102000070
52	Nut M4	*	***
53	Inner ground wire	*	***
54	Washer Ø4	*	***
55	Screw M4x10	*	***
56	Drain valve subassembly	1	301611100021
57	Pin 4x40	1	302501200009
58	Torque moter subassembly	1	302411100121
59	Washer Ø6	*	***
60	Spring washer Ø6	*	***
61	Inner hex screw M6x16	*	***
62	Motor support	1	301215000014
63	Screw for motor support	*	***
64	V-belt	1	302701000024
65	Motor pulley	1	303400500020
66	Screw for motor pulley	*	***
67	Nut for motor pulley	*	***
68	Bolt M8x30	*	***
69	Spring washer Ø8	*	***
70	Big washer	*	***
71	Up vibration-damp washer B	2	301115600002
72	Motor ground wire	1	302402100480
73	Motor complete	1	302411300241
74	Down vibration-damp washer	2	301115600007
75	Big screw 6x30	*	***
76	Clutch subassembly	1	301201090008
77	Stopper	1	301114600024
78	Vent-pipe	1	301611000448
79	Special screw (H62)	1	302500300050
80	Outer tub	1	301115400454

Marca	Whirlpool
Capacidad	12 Kgs.
Color	White

TOTAL ASSEMBLY





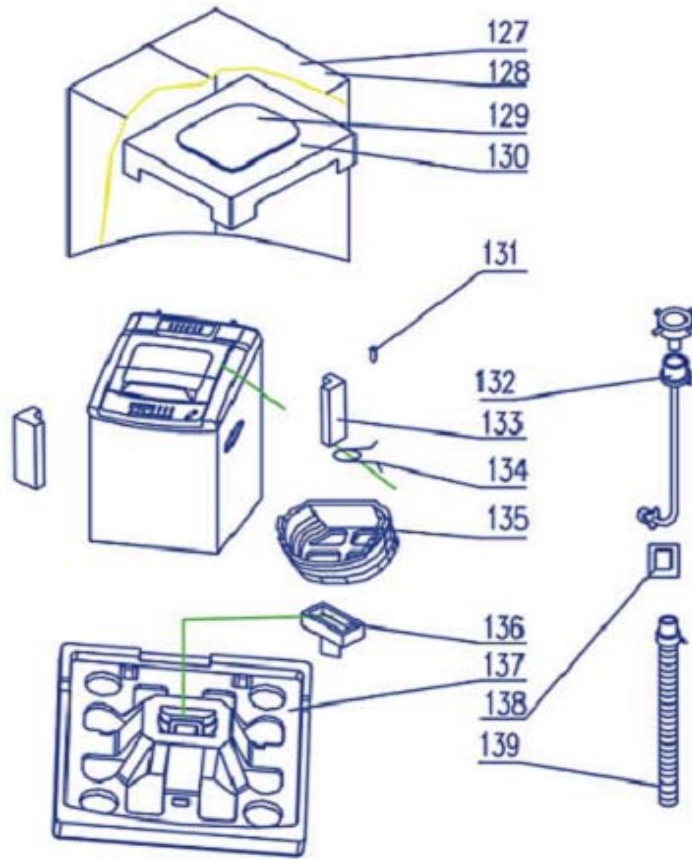


7MWT9601WW0

Marca		Whirlpool	
Capacidad		12 Kgs.	
Color		White	
TOTAL ASSEMBLY			
R e f	Descripción	C a n t	Numero de Parte
81	Pulsator cover	1	301113500098
82	Pulsator screw	1	302500300230
83	Anti-recession washer	1	302502100001
84	Pulsator complete	1	301113500097
85	Pulsator shaft washer	1	302502100071
86	Outer tub cover	1	301115400453
87	Hex screw M6x22	*	***
88	Spring washer Ø6	*	***
89	Washer 6	*	***
90	Suspension rod pin	4	302911300020
91	Ball-shape pedestal	4	301102000066
92	Cushion washer	4	302211100017
93	Cabinet complete	1	301214500208
94	Suspension rod complete	1	302911300020
95	Base	1	301114000073
96	Idler wheel	2	301113500099
97	Idler wheel shaft B8x39	2	301111902000
98	Drain hose cap	2	301114000076
99	Overflow funnel	1	301120990019
100	leg adjuster-A	1	301114100050
101	leg adjuster-B	1	301114100050
102	leg adjuster-C	1	301114100050
103	Leg washer	1	301114100050
104	Tapping screw 4x12	1	301114100050
105	Leg washer	3	302700300033
106	Tie wrap	8	301102000009
107	Power cord subassembly	1	302402100208
108	Wire nip	1	301102000001
109	Nut wire	7	301102000002
110	Nut M4	2	302500300076
111	Toothed Lock Washer	2	302502100006
112	Screw M4x10	2	302500300076
113	Anti-abrasion washer	2	302211100022
114	Tapping screw	1	302500300046
115	Capacitor cover	1	301113700026
116	Capacitor and inductance subassembly	1	302411400046
117	Protection washer for inner hose	1	302100490000
118	Connecting hose	1	301611000440
119	Hose band A	2	302911200020
120	Drain pump with filter	1	302400600105
121	Grip handle	2	301113400093
122	Drain hose rest	3	301113900023
123	Screw M4x10	*	***
124	Back cover	1	301113700204
125	Name plate	1	302000201183
126	Name plate	1	302000201183

Marca	Whirlpool
Capacidad	12 Kgs.
Color	White

PACKING ASSEMBLY





**7MWT9601WW0**

<b>Marca</b>		<b>Whirlpool</b>	
<b>Capacidad</b>		<b>12 Kgs.</b>	
<b>Color</b>		<b>White</b>	
<b>PACKING ASSEMBLY</b>			
<b>R e f</b>	<b>Descripción</b>	<b>C a n t</b>	<b>Numero de Parte</b>
127	Carton	*	***
128	Washing machine bag	*	***
129	Bottom cover	*	***
130	Top foam lining	*	***
131	Tapping screw 4x16	*	***
132	Water inlet hose assembly	1	301611000477
132	Water inlet hose assembly	1	301611000476
133	Side foam lining	*	***
134	Hose band	*	***
135	Tub foam lining	*	***
136	Support	*	***
137	EPS base packing subassembly	*	***
138	User manual	*	***
139	Drain hose subassembly	1	301611000480

**Nota: La referencia que aparezcan en su num de parte con asteriscos \*\*\*  
indica que no aplica para este modelo**

## **SI USTED NECESITA COMPRAR REFACCIONES**

PIDA LA REFACCIÓN POR CÓDIGO DE NÚMERO DE PARTE  
O LLAME AL TELÉFONO DE VENTA DE REFACCIONES:

01800-8212345  
01800-7153962

FAX: (01-81) 8329-2109

## **DUDAS TÉCNICAS**

LLAME AL TELEFONO 83-29-2121 Y MARQUE  
LA EXTENSIÓN CORRESPONDIENTE:

LAVANDERÍA:	2502
REFRIGERACIÓN:	2730
COCINA:	0431
INFORMACIÓN TÉCNICA:	2731

**E-MAIL: WHIRLPOOLSERVICE\_LINEATECNICA@WHIRLPOOL.COM**

**ELABORADO POR:**  
INGENIERÍA DE SERVICIO/C.J.G./2009  
WHIRLPOOL SERVICE

## Free Manuals Download Website

<http://myh66.com>

<http://usermanuals.us>

<http://www.somanuals.com>

<http://www.4manuals.cc>

<http://www.manual-lib.com>

<http://www.404manual.com>

<http://www.luxmanual.com>

<http://aubethermostatmanual.com>

Golf course search by state

<http://golfingnear.com>

Email search by domain

<http://emailbydomain.com>

Auto manuals search

<http://auto.somanuals.com>

TV manuals search

<http://tv.somanuals.com>