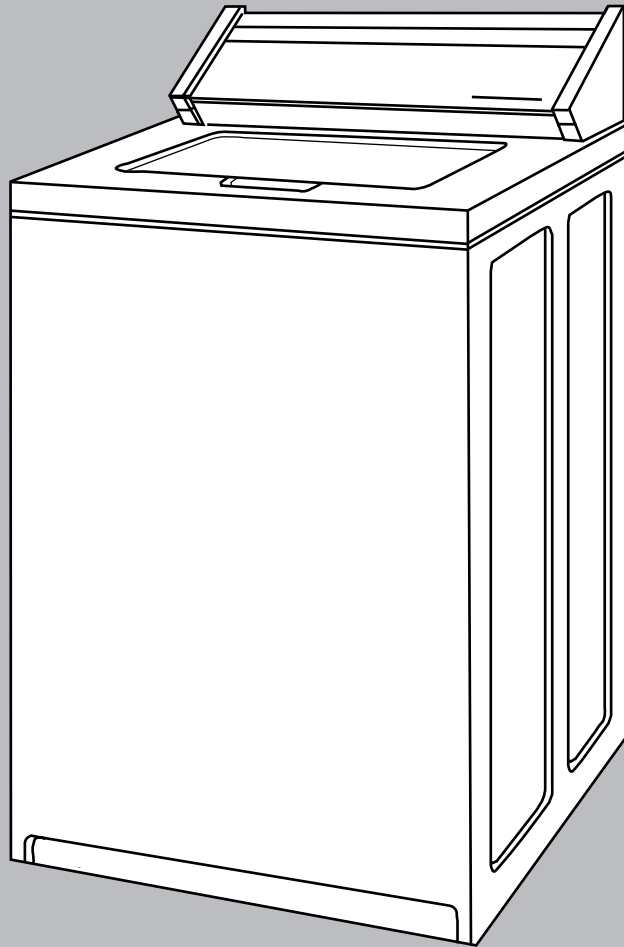


Installation Instructions



Part No. 8316243 Rev. C

IMPORTANT:
Read and save
these instructions

**COMMERCIAL
WASHER**

IMPORTANT:

Installer: Leave Installation Instructions with the owner.

Owner: Keep Installation Instructions for future reference.

Save Installation Instructions for local electrical inspector's use.

120-volt, 60-Hz Models

www.whirlpool.com



Before you start...

Your safety and the safety of others are very important.

We have provided many important safety message in this manual and on your appliance. Always read and obey all safety messages.



This is the safety alert symbol. This symbol alerts you to potential hazards that can kill or hurt you and others.

All safety messages will be preceded by the safety alert symbol and the word "DANGER" or "WARNING". These words mean:

⚠ DANGER

You can be killed or seriously injured if you don't immediately follow instructions.

⚠ WARNING

You can be killed or seriously injured if you don't follow instructions.

All safety messages will tell you what the potential hazard is, tell you how to reduce the chance of injury, and tell you what can happen if the instructions are not followed.

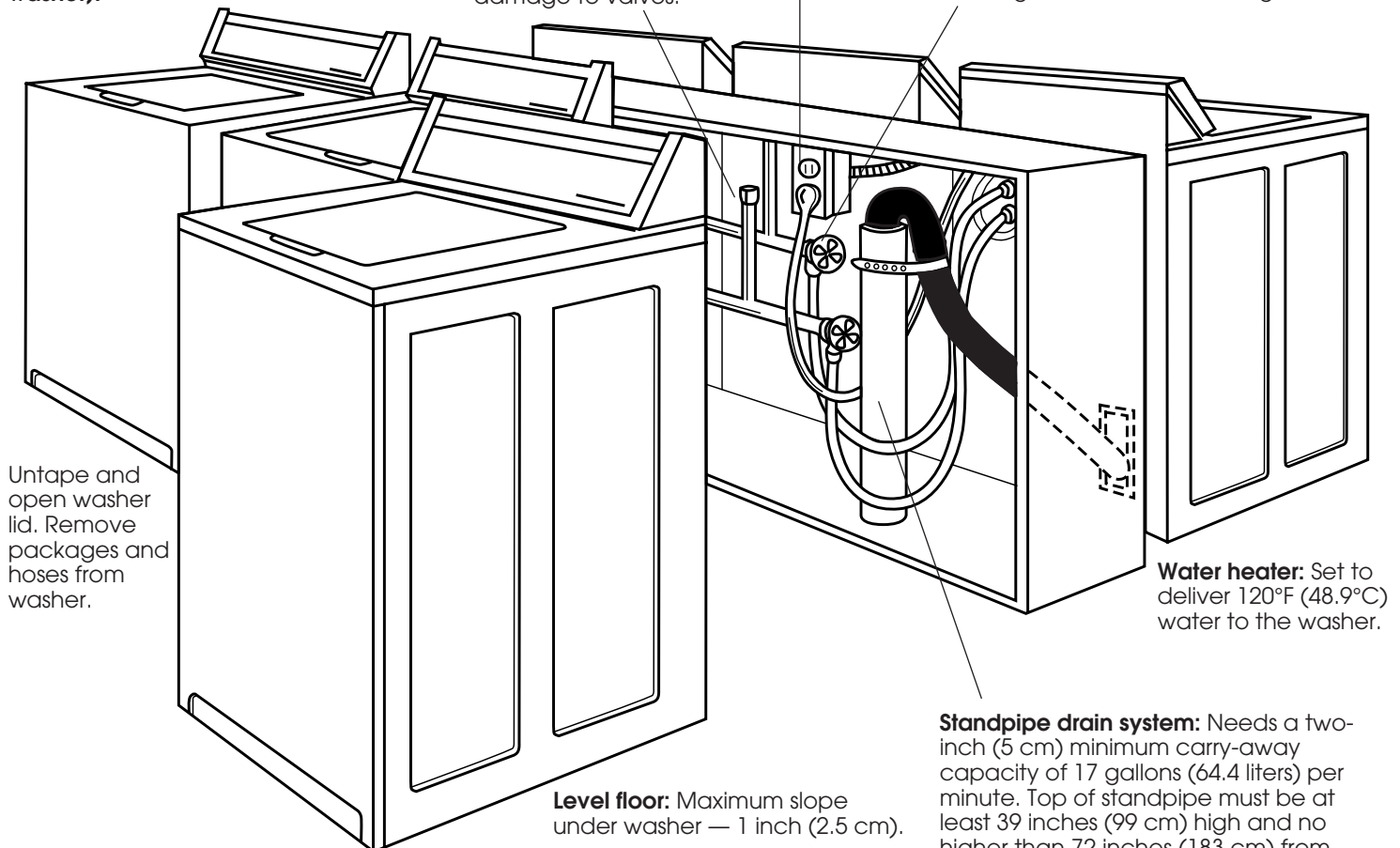
Check location where washer will be installed. Proper installation is your responsibility. Make sure you have everything necessary for correct installation.

Do Not store or operate washer below 32°F (0°C) (some water may remain in washer).

Single washer installations require 12-inch (30 cm) minimum risers to provide an air cushion and prevent noise and damage to valves.

Grounded electrical outlet is required. See Electrical requirements.

Hot and cold water faucets: Must be within 4 feet (1.2 m) of the back of the washer and provide water pressure 10 -100 PSI (69-690 kPa). A pressure reduction valve should be used in the supply line where inlet pressure entering the building exceeds 100 PSI (690 kPa) to prevent damage to the washer mixing valve.



Untape and open washer lid. Remove packages and hoses from washer.

Water heater: Set to deliver 120°F (48.9°C) water to the washer.

Standpipe drain system: Needs a two-inch (5 cm) minimum carry-away capacity of 17 gallons (64.4 liters) per minute. Top of standpipe must be at least 39 inches (99 cm) high and no higher than 72 inches (183 cm) from bottom of washer.

Level floor: Maximum slope under washer — 1 inch (2.5 cm).

Front access to the pump area is available by removing 2 clips under the console area and removing the top and cabinet assembly.

Important: Observe all governing codes and ordinances.

A floor drain should be provided under the bulkhead. Prefabricated bulkheads with electrical outlets, water supply lines and drain facilities should be used only where local codes permit.

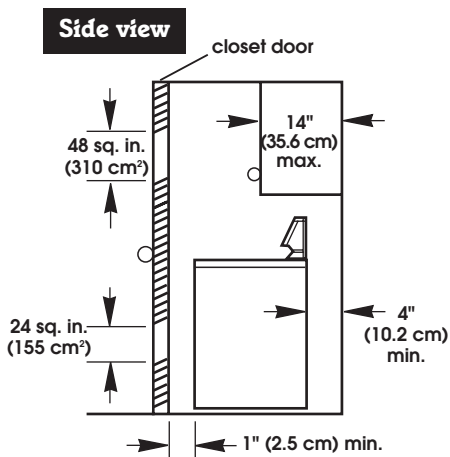
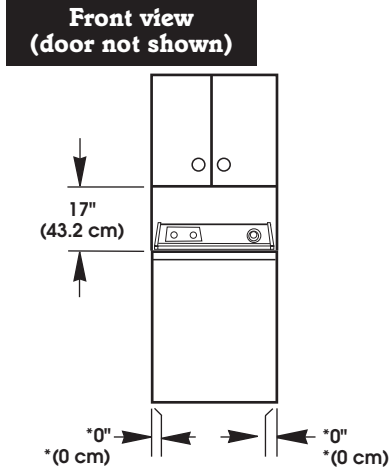
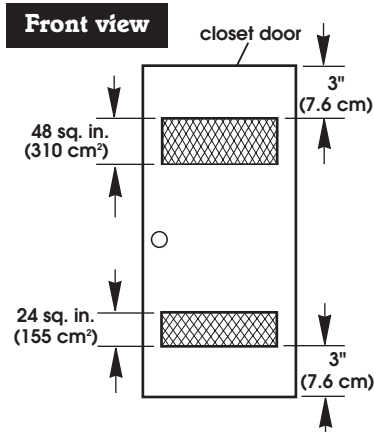
Support: Floor must be sturdy enough to support loaded washer weight of 315 pounds (143 kg).

Recessed area instructions

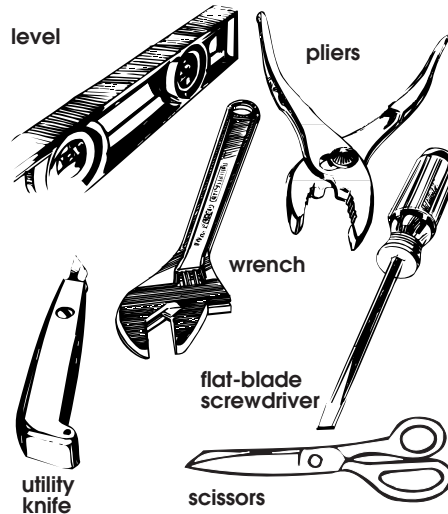
This washer may be installed in a recessed area or closet.

The installation dimensions shown are the minimum spaces allowable. Additional spacing should be considered for ease of installation and servicing. If closet door is installed, the minimum air openings in top and bottom of door are required. Louvered doors with air openings in top and bottom are acceptable. Companion appliance spacing should be considered.

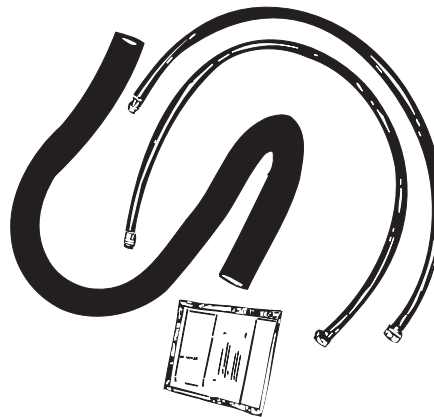
Minimum installation spacing



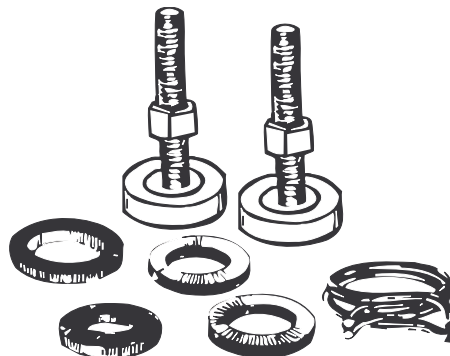
Tools needed for installation:



Parts supplied for installation:



Remove parts from packages. Check that all parts were included.



- 1 hose clamp
- 2 inlet hoses
- 4 flat water hose washers
- 2 front-leveling legs with nuts
- 1 drain hose

Electrical requirements

⚠ WARNING



Electrical Shock Hazard

Plug into a grounded 3-prong outlet.
Do not remove ground prong.
Do not use an adapter.
Do not use an extension cord.
Failure to follow these instructions can result in death, fire, or electrical shock.

If codes permit and a separate ground wire is used, it is recommended that a qualified electrician determine that the ground path is adequate.

Do Not ground to a gas pipe.

Check with a qualified electrician if you are not sure the washer is properly grounded.

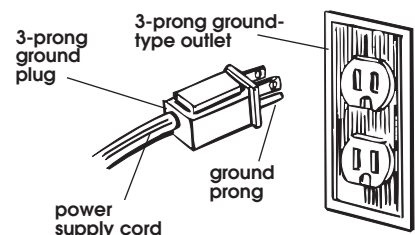
Do Not have a fuse in the neutral or ground circuit.

A 120-volt, 60-Hz, AC-only, 15- or 20-ampere fused electrical supply is required. (Time-delay fuse or circuit breaker is recommended.) It is recommended that a separate circuit serving only this appliance be provided.

Grounding instructions

This appliance must be grounded. In the event of a malfunction or breakdown, grounding will reduce the risk of electric shock by providing a path of least resistance for the electric current. This appliance is equipped with a cord having an equipment-grounding conductor and a grounding plug. The plug must be plugged into an appropriate outlet that is properly installed and grounded in accordance with all local codes and ordinances.

WARNING - Improper connection of the equipment-grounding conductor can result in a risk of electric shock. Check with a qualified electrician or serviceman if you are in doubt as to whether the appliance is properly grounded. Do not modify the plug provided with the appliance - if it will not fit the outlet, have a proper outlet installed by a qualified electrician.



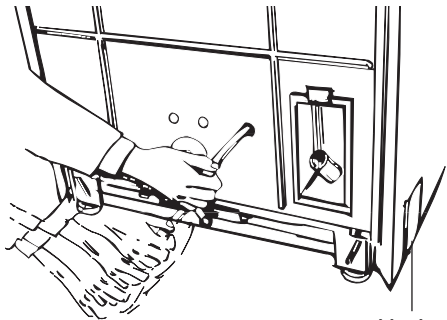
Now start...

! WARNING

Excessive Weight Hazard

Use two or more people to move and install washer.

Failure to do so can result in back or other injury.

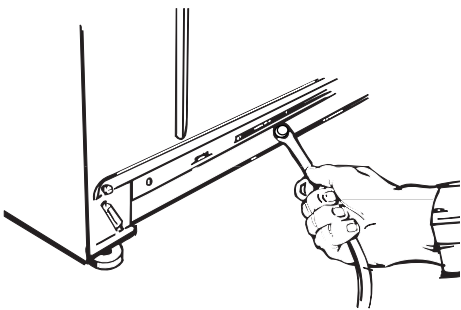


shipping tape



Pull the strap completely out of the washer.

1. Remove tape that covers shipping strap. Pull to completely remove the shipping strap with 2 cotterpins from the inside of the washer.

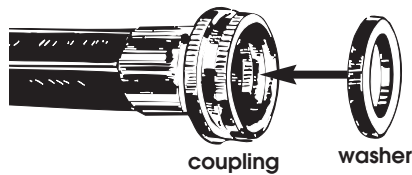


Pull firmly to remove the end of shipping strap from the back of the washer. The shipping strap plug must be completely removed from the washer for the self-leveling legs to be released.

Save the shipping strap for use in Step 6.

Use new hoses and washers that came with your Whirlpool washer.

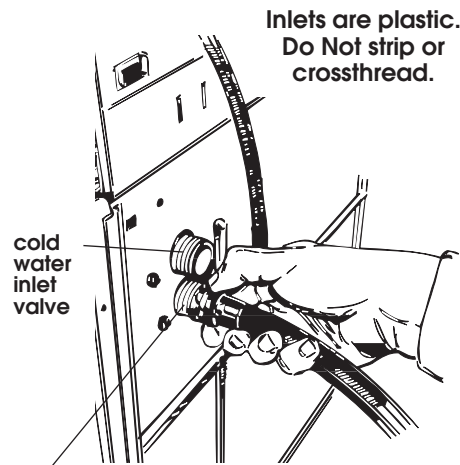
Replace inlet hoses after 5 years of use to reduce the risk of hose failure. Inspect and replace inlet hoses if bulges, kinks, cuts, wear, or leaks are found. When replacing your inlet hoses, mark the date of replacement on the label with a permanent marker.



coupling

washer

2. Insert a flat washer into each end of the inlet hoses. Check that washers are firmly seated in couplings.



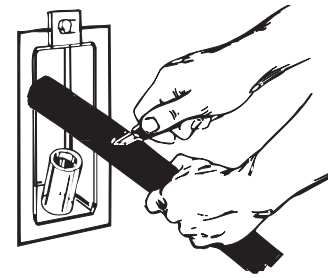
Inlets are plastic. Do Not strip or crossthread.

cold water inlet valve

hot water inlet valve

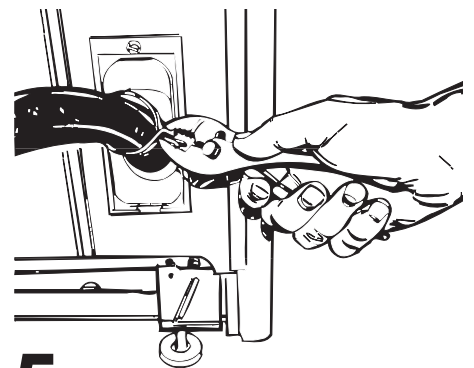
3. Attach hose to bottom inlet valve opening first. Then second hose to top inlet. Tighten couplings by hand; then use pliers to make an additional two-thirds turn.

Slide washer onto cardboard or hardboard before moving across floor.

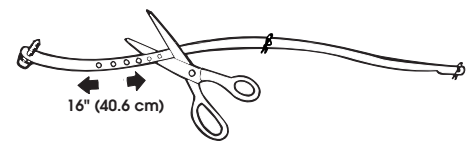


4. Move washer close to final position. Put "hook" end of drain hose into standpipe. Estimate length of drain hose needed when washer is in final position. Hose must be cut exactly to length so "hook" end is held tightly over edge of standpipe. If drain hose is too long, cut straight end of hose. (Do Not cut "hook" shaped end of drain hose.)

DO NOT FORCE EXCESS LENGTH OF DRAIN HOSE DOWN THE STANDPIPE. THIS COULD CAUSE SIPHONING. See Step 6.



5. Place hose clamp over washer drain connector. Push drain hose onto washer connector. Use pliers to open clamp and slide clamp over drain hose. Check for good fit.

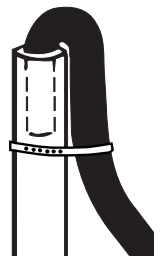


16" (40.6 cm)

6. Measure and mark a point approximately 16 inches (40.6 cm) from the plug end of the shipping strap. Cut this shipping strap at this point.

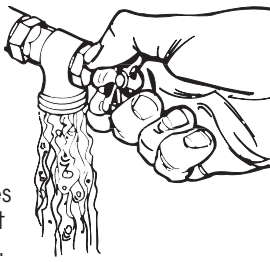
Check that hose is not twisted or kinked and is securely in place.

Put "hook" end of drain hose into standpipe. Tightly wrap the shipping strap around the standpipe. Push plug into the nearest hole in the shipping strap.

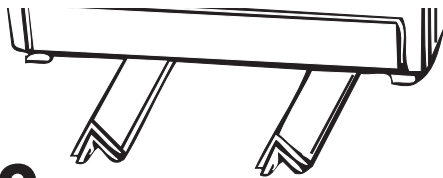


7. Before

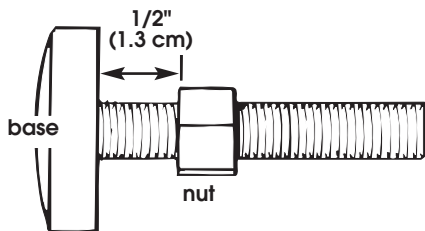
attaching water inlet hoses, run water through both faucets into a bucket. This will get rid of particles in water lines that might clog hoses. Mark which is the hot water faucet.



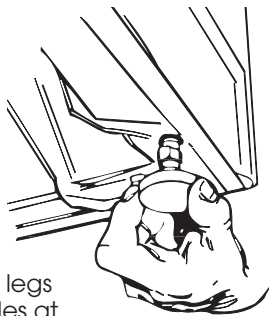
8. Attach bottom hose (inlet marked "H") to hot water faucet. Attach top hose (inlet marked "C") to cold water faucet. Tighten coupling to faucet by hand; then use pliers to make final two-thirds turn.



9. Stack two corner posts on top of each other. Tilt washer backwards and insert corner posts 3 inches (7.6 cm) in from one side of washer as shown. Repeat with other corner posts on other side of washer.



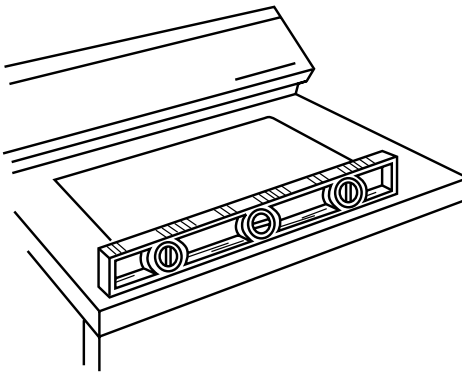
10. Use legs and nuts from parts package. Screw nut down to within 1/2 inch (1.3 cm) of base.



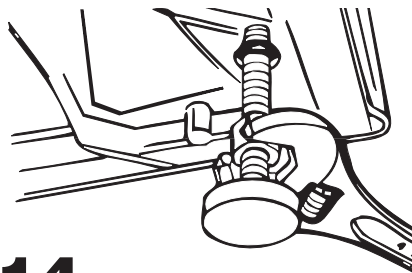
11. Insert legs into correct holes at each front corner of washer until nuts touch washer. **Do Not** tighten nuts until Step 14.

12. Tilt washer backward and remove corner posts. Gently lower washer to floor.

Move washer to its permanent location. Remove cardboard or hardboard from under washer.



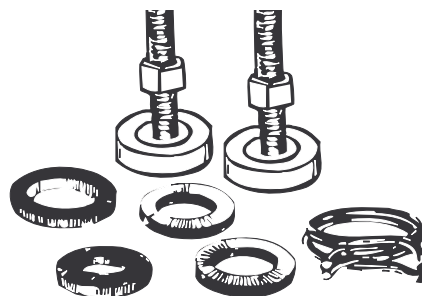
13. Tilt washer forward raising back legs 1 inch (2.5 cm) off of floor. To adjust rear self-leveling legs, gently lower washer to floor. Check levelness of the washer by placing a carpenter's level on top of the washer, first side to side; then front to back.



14. If washer is not level, adjust the front legs up or down. Make final check with level.

When washer is level, use wrench to turn nuts on front legs up tightly against washer base. If nuts are not tight against washer base, the washer may vibrate.

15. CHECK ELECTRICAL REQUIREMENTS. BE SURE YOU HAVE CORRECT ELECTRICAL SUPPLY AND RECOMMENDED GROUNDING METHOD.



16. Check that all parts are now installed. See parts list, Page 3. If there is an extra part, go back through steps to see which step was skipped.

17. Turn on water faucets and check for leaks. Tighten couplings if there is leaking. Do Not overtighten; this could cause damage to faucets.



18. Check that you have all of your tools. Check that the shipping strap was removed from the back of the washer and used to secure the drain hose.

If entire strap is not removed, washer may vibrate and be noisy.

19. Plug power supply cord into grounded outlet.

Note: On some models, during factory testing, the timer is advanced partially into the cycle causing the start button to be depressed. Allow timer to advance to the end of the cycle. When the cycle is complete, the timer will reset and the start button will return to the start position. If the timer is not allowed to advance to the end of the first cycle and reset, the wash load will not be completed.

Additional features

WARNING



Electrical Shock Hazard

Disconnect power before making electrical connections.

Failure to do so can result in death or electrical shock.

For **WARM RINSE**:

- Remove screws from each end of the console bottom.
- Pull the console bottom forward; lift and tilt back.
- Connect J1 to J2

To **SAVE WATER**:

- Locate water level switch on back of washer. (See Back Page.)
- Turn shaft 45° counterclockwise.

Check list for washer operation

Check the following if the washer is not operating properly:

1. Power supply cord is plugged in.
2. Circuit breaker is not tripped or fuse blown.
3. Timer has been advanced to start of a cycle.
4. Water faucets are turned on.
5. Inlet and drain hoses are not kinked.
6. Washer lid is closed.
7. Inlet valve is frozen if not protected from the weather.
8. Suds level. Excess suds will slow the spin and cause poor rinsing. Operate the washer through a complete cycle with no detergent. Use less detergent or a controlled suds type detergent in future loads.

If you need assistance...

The Whirlpool Customer Interaction Center will answer any questions about operating or maintaining your washer not covered in the Installation Instructions. The Whirlpool Customer Interaction Center is open 24 hours a day, 7 days a week. Just dial 1-800-NO BELTS (1-800-662-3587) — the call is free.

When you call, you will need the washer model number and serial number. Both numbers can be found on the serial-rating plate located on your appliance.

IMPORTANT SAFETY INSTRUCTIONS

WARNING: To reduce the risk of fire, electric shock, or injury to persons when using your washer, follow basic precautions, including the following:

- Read all instructions before using the washer.
- Do not wash articles that have been previously cleaned in, washed in, soaked in, or spotted with gasoline, dry-cleaning solvents, other flammable or explosive substances as they give off vapors that could ignite or explode.
- Do not add gasoline, dry-cleaning solvents, or other flammable or explosive substances to the wash water. These substances give off vapors that could ignite or explode.
- Under certain conditions, hydrogen gas may be produced in a hot water system that has not been used for 2 weeks or more. **HYDROGEN GAS IS EXPLOSIVE.** If the hot water system has not been used for such a period, before using a washing machine, turn on all hot water faucets and let the water flow from each for several minutes. This will release any accumulated hydrogen gas. As the gas is flammable, do not smoke or use an open flame during this time.
- Do not allow children to play on or in the washer. Close supervision of children is necessary when the washer is used near children.
- Before the washer is removed from service or discarded, remove the lid.
- Do not reach into the washer if the tub or agitator is moving.
- Do not install or store this washer where it will be exposed to the weather.
- Do not tamper with controls.
- Do not repair or replace any part of the washer or attempt any servicing unless specifically recommended in the Owner's Manual or in published user-repair instructions that you understand and have the skills to carry out.
- See Page 3 of this booklet for recommended grounding instructions.

SAVE THESE INSTRUCTIONS

Typical full load sizes.

Load Type	Loading Suggestion	Load Type	Loading Suggestion
Mixed Load	3 double sheets 4 pillowcases 6 pair shorts 8 T-shirts 2 shirts 2 blouses 8 handkerchiefs	Heavy work clothes	3 pair pants 3 shirts 1 coverall 4 pair jeans 1 overall
Permanent Press	2 double or 1 king size sheet 1 tablecloth 1 dress 1 blouse 2 slacks 3 shirts 2 pillowcases	Knits	3 blouses 4 slacks 6 shirts 4 tops 4 dresses

Operating Tips

⚠ WARNING



Fire Hazard

Never place items in the washer that are dampened with gasoline or other flammable fluids.

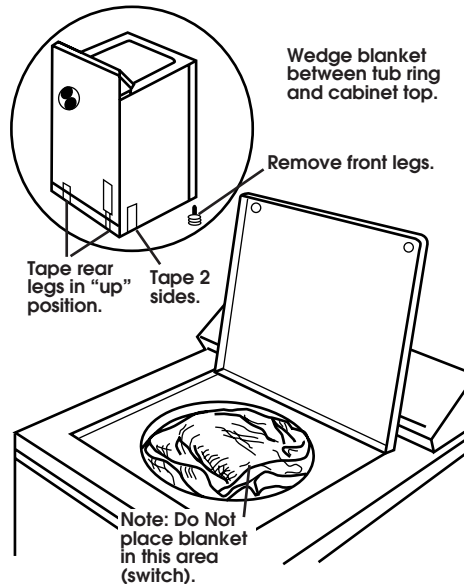
No washer can completely remove oil.

Do not dry anything that has ever had any type of oil on it (including cooking oils).

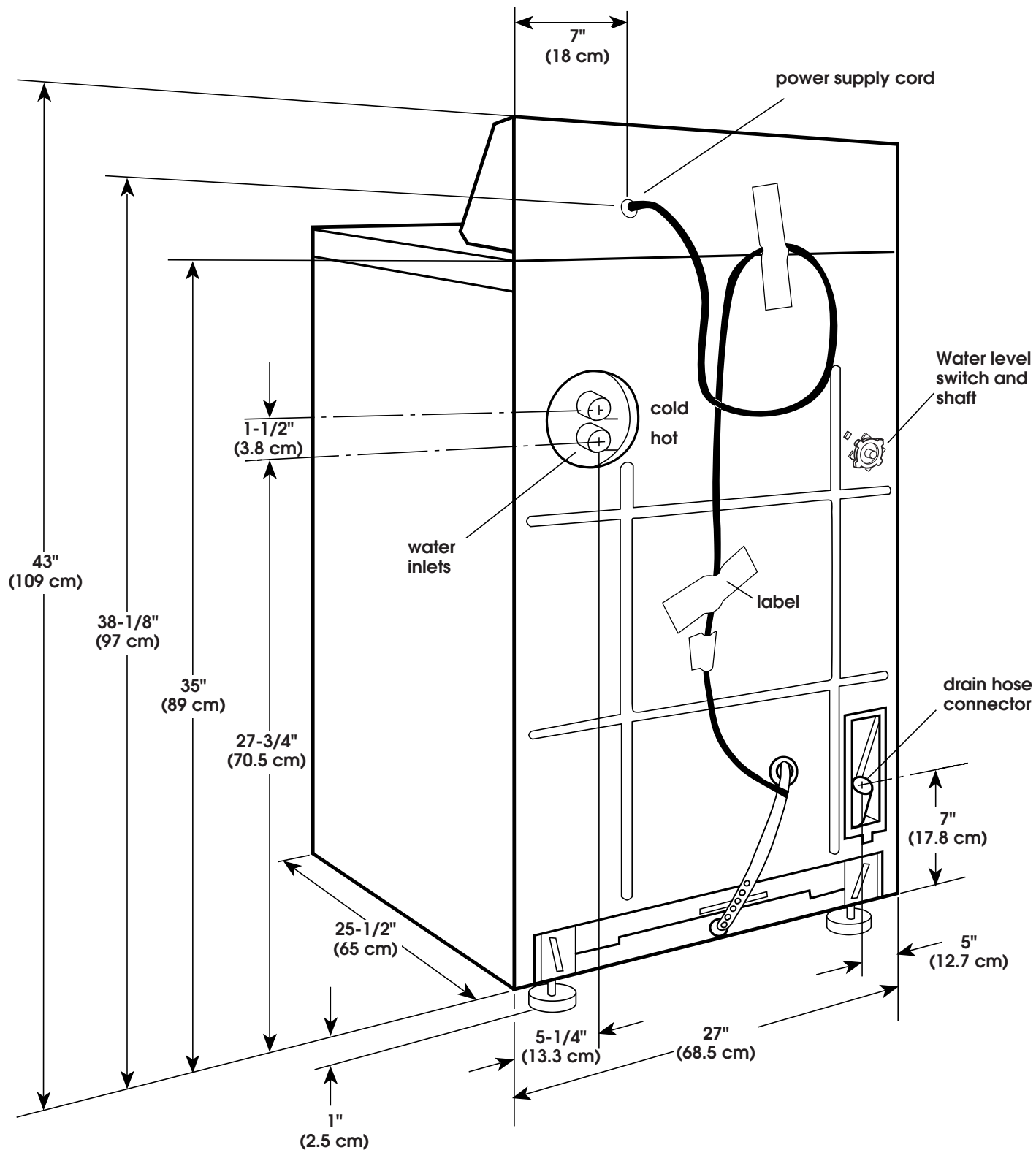
Doing so can result in death, explosion, or fire.

It is recommended that fiberglass items not be washed in coin-operated washers. If these items are washed in the washer, run the washer through a complete cycle to rinse any residue away that might be left in the washer.

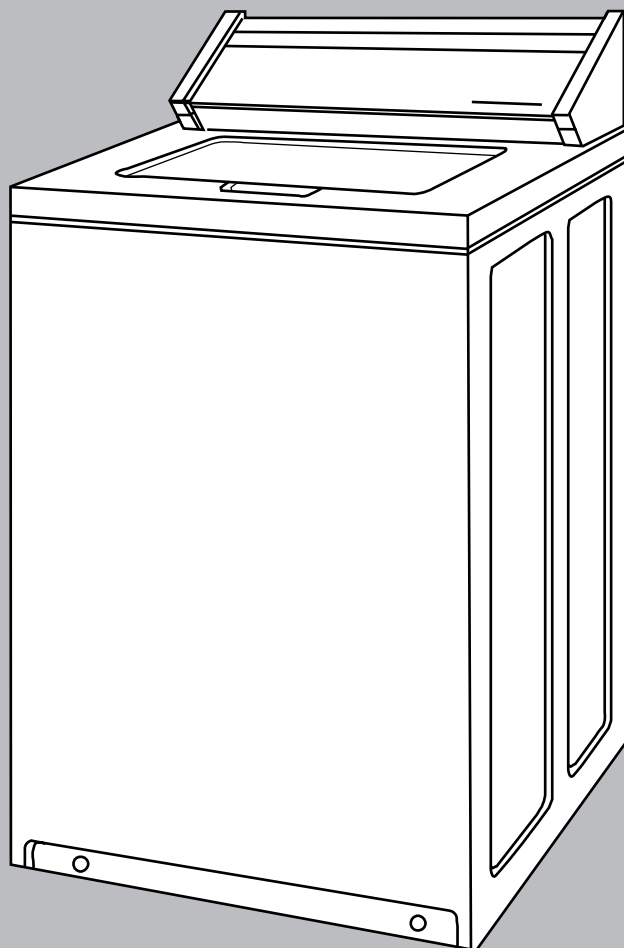
Moving the washer to a new location...



- Remove the front legs from the base of the washer.
- Place both rear leveling legs in the upper position and tape securely.
- Apply tape to the side and bottom of the cabinet near the rear.
- Open washer lid, wedge a blanket between the tub ring and the cabinet top restricting the tub movement.
- Handle washer carefully. **Do Not drop washer while using hand truck.**



Instructions d'installation



N° de pièce 8316243 Rév. C

IMPORTANT :
Lire et conserver
ces instructions.

LAVEUSE
COMMERCIALE

IMPORTANT :

Installateur : Remettre la brochure des instructions d'installation au propriétaire.

Propriétaire : Conserver la brochure des instructions d'installation pour référence ultérieure.

Conserver les instructions d'installation pour consultation par l'inspecteur local des installations électriques.

Modèles 120 volts, 60 Hz

www.whirlpool.com

The Whirlpool logo consists of a stylized swirl above the word "Whirlpool" in a bold, sans-serif font. To the right of the logo, the text "PRODUITS DE BUANDERIE COMMERCIALE" is written in a smaller, all-caps font.

Whirlpool
PRODUITS DE
BUANDERIE
COMMERCIALE

Avant de commencer. . .

Votre sécurité et celle des autres est très importante.

Nous donnons de nombreux messages de sécurité importants dans ce manuel et sur votre appareil ménager. Assurez-vous de toujours lire tous les messages de sécurité et de vous y conformer.



Voici le symbole d'alerte de sécurité.

Ce symbole d'alerte de sécurité vous signale les dangers potentiels de décès et de blessures graves à vous et à d'autres.

Tous les messages de sécurité suivront le symbole d'alerte de sécurité et le mot « DANGER » ou « AVERTISSEMENT ». Ces mots signifient :

⚠ DANGER

Risque possible de décès ou de blessure grave si vous ne suivez pas **immédiatement** les instructions.

⚠ AVERTISSEMENT

Risque possible de décès ou de blessure grave si vous ne suivez pas les instructions.

Tous les messages de sécurité vous diront quel est le danger potentiel et vous disent comment réduire le risque de blessure et ce qui peut se produire en cas de non-respect des instructions.

Robinet d'eau chaude et d'eau froide :

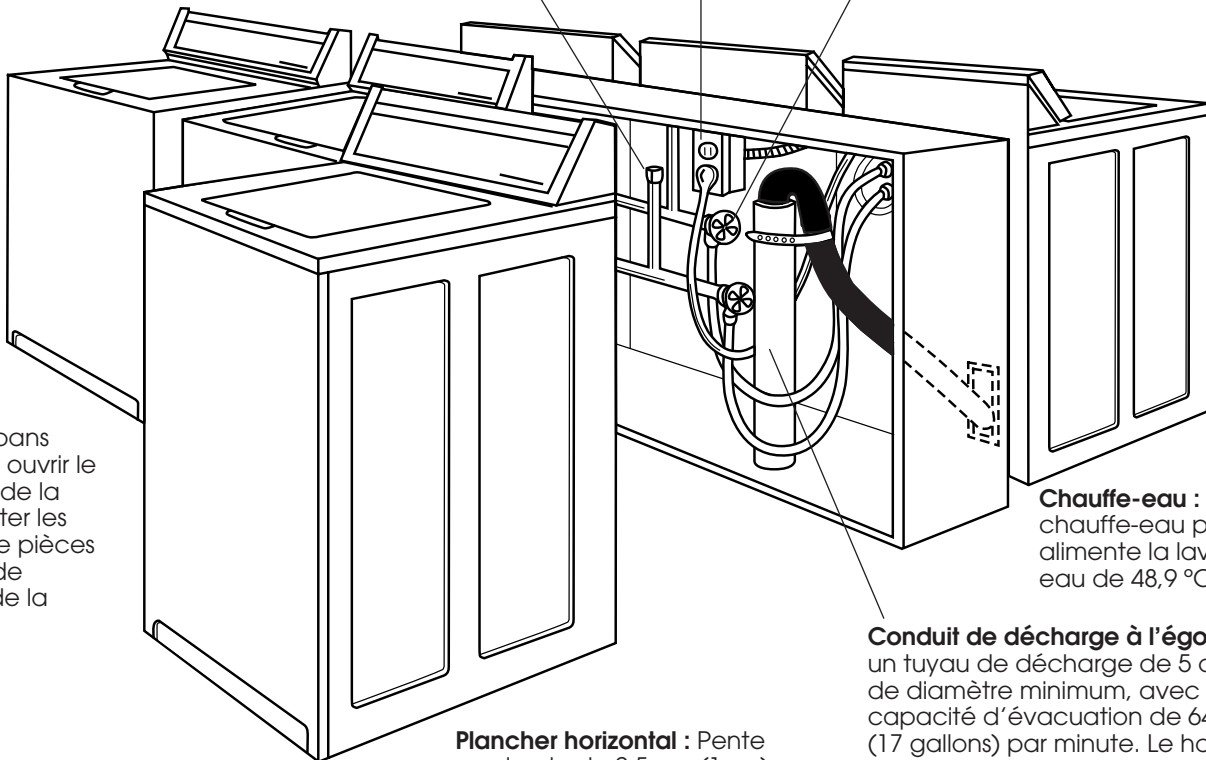
Ces robinets doivent être situés à moins de 122 cm (4 pi) de l'arrière de la laveuse; la pression de l'eau à la sortie des robinets doit être de 69-690 kPa (10-100 lb/po²). Lorsque la pression d'entrée d'eau à l'entrée de l'édifice est de plus de 690 kPa (100 lb/po²), il convient d'installer un robinet de réduction de pression dans la conduite d'alimentation pour éviter que les valves de mixage de la laveuse subissent des dommages.

Inspecter l'emplacement où la laveuse sera installée. Assurez-vous d'avoir tout le matériel nécessaire pour la réalisation d'une installation correcte. C'est au propriétaire de l'équipement qu'incombe la responsabilité d'une installation correcte.

Ne pas entreposer ni utiliser la laveuse à une température inférieure à 0 °C (32 °F) (un peu d'eau peut rester dans la laveuse).

Pour l'installation d'une seule laveuse, une section de tuyau vertical d'au moins 30 cm (12 po) est nécessaire; ceci constitue un tampon d'air et empêche le bruit et la détérioration des robinets.

Une prise de courant électrique reliée à la terre est nécessaire. Voir installation électrique.



Ôter les rubans adhésifs et ouvrir le couvercle de la laveuse. Ôter les paquets de pièces et tuyaux de l'intérieur de la laveuse.

Pour accéder à la pompe, ôter les deux agrafes sous la console puis enlever l'ensemble sommet/caisse.

Important: Observer toutes les dispositions des codes et règlements en vigueur.

Chauffe-eau : Régler le chauffe-eau pour qu'il alimente la laveuse en eau de 48,9 °C (120 °F).

Conduit de décharge à l'égout : Utiliser un tuyau de décharge de 5 cm (2 po) de diamètre minimum, avec une capacité d'évacuation de 64,4 litres (17 gallons) par minute. Le haut du tuyau de décharge doit être situé à au moins 99 cm (39 po) au-dessus du fond de la laveuse et à au plus 183 cm (72 po) au-dessus du fond de la laveuse.

Plancher horizontal : Pente maximale de 2,5 cm (1 po) sous la laveuse.

Un siphon de plancher devrait être disponible sous le caisson. Utiliser un caisson préfabriqué avec prises de courant électrique, conduits d'arrivée d'eau et conduite de décharge à l'égout, seulement lorsque le code local le permet.

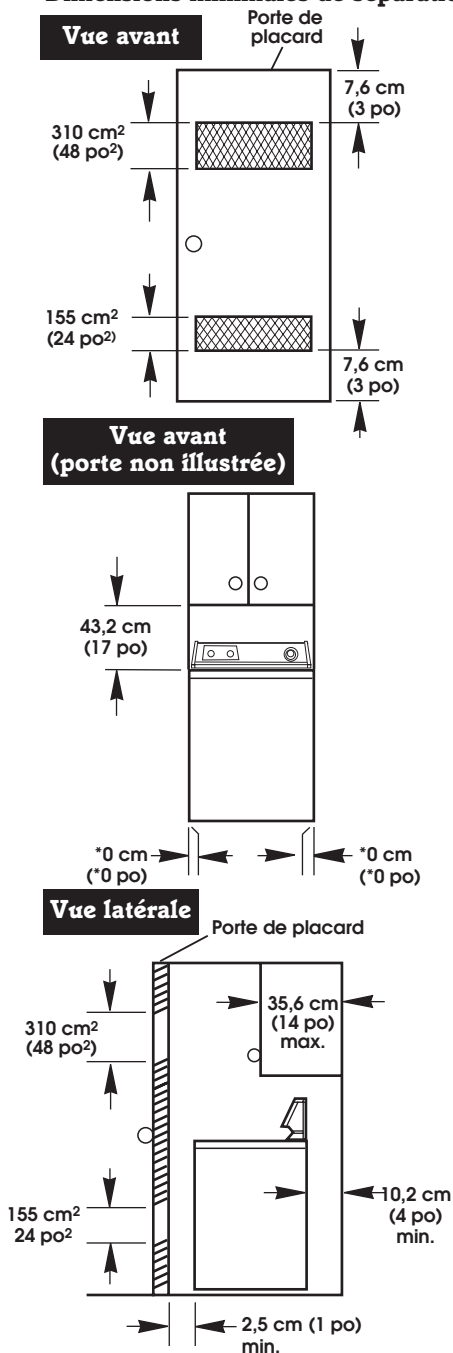
Support : Le plancher doit être suffisamment résistant pour supporter le poids de la laveuse et de sa charge, soit 143 kg (315 lb).

Instructions pour l'installation dans une cavité encastrée

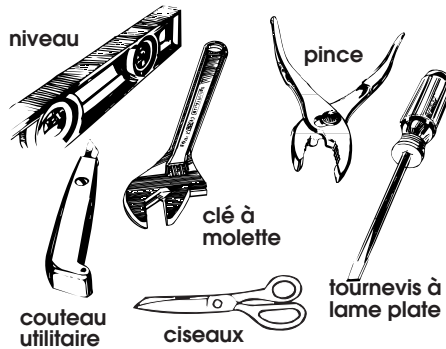
Il est possible d'installer cette laveuse dans une cavité encastrée ou dans un placard.

Les dimensions d'installation indiquées correspondent à l'espacement minimum admissible. Considérer de laisser des espaces plus grands pour faciliter l'installation et l'entretien. Si la porte du placard est installée, veiller à aménager des passages d'air de dimensions adéquates en haut et en bas. L'utilisation de portes à jalousie avec ouvertures de passages d'air en haut et en bas est acceptable. Tenir compte des dimensions d'un autre appareil installé à proximité, le cas échéant.

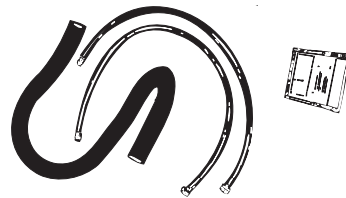
Dimensions minimales de séparation



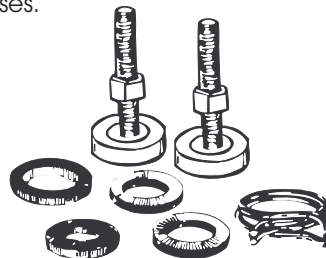
Outillage nécessaire pour l'installation :



Pièces fournies pour l'installation :



Retirer les pièces de l'emballage. Vérifier que toutes les pièces sont incluses.



- 1 bride pour tuyau
- 2 tuyaux d'arrivée d'eau
- 4 joints plats pour tuyaux d'arrivée d'eau
- 2 pieds avant avec écrou, pour mise d'aplomb
- 1 tuyau de décharge

Installation électrique

⚠ AVERTISSEMENT



Risque de choc électrique
Brancher sur une prise à 3 alvéoles reliée à la terre.
Ne pas enlever la broche de liaison à la terre.
Ne pas utiliser un adaptateur.
Ne pas utiliser un câble de rallonge.
Le non-respect de ces instructions peut causer un décès, un incendie ou un choc électrique.

Si les codes le permettent et un fil séparé de liaison à la terre est employé, il est recommandé qu'un électricien qualifié détermine que l'acheminement vers la terre est adéquat.

Ne pas relier le fil à la terre à un tuyau de gaz.

Vérifier avec un électricien qualifié si vous avez des doutes à savoir si la laveuse est bien reliée à la terre.

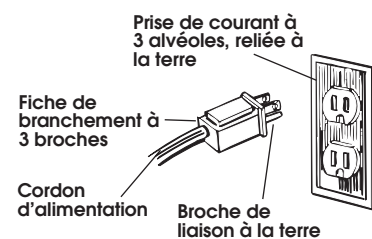
Ne pas utiliser un fusible dans un circuit neutre ou un circuit relié à la terre.

L'appareil doit être alimenté par un circuit de 120 V CA seulement, 60 HZ, 15 à 20 ampères, protégé par fusible. On recommande l'emploi d'un fusible temporisé ou d'un disjoncteur. Il est préférable que l'appareil soit alimenté par un circuit distinct, n'alimentant que cet appareil.

Instructions pour la liaison à la terre

Il faut que cet appareil soit relié à la terre. Advenant une anomalie de fonctionnement, la liaison à la terre réduira le risque de choc électrique en procurant un itinéraire de moindre résistance pour le courant électrique. Cet appareil est muni d'un cordon de branchement comportant un conducteur de liaison à la terre, qui est doté d'une fiche de branchement comportant une broche de liaison à la terre. Brancher la fiche sur une prise de courant de configuration correspondante, convenablement installée et reliée à la terre conformément aux prescriptions des codes et règlements locaux.

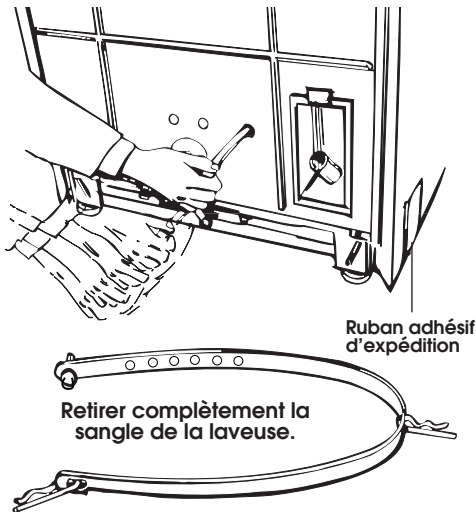
AVERTISSEMENT : Le raccordement incorrect de cet appareil au conducteur de liaison à la terre peut susciter un risque de choc électrique. En cas de doute quant à la qualité de la liaison à la terre de l'appareil, consulter un électricien ou technicien d'entretien qualifié. Ne pas modifier la fiche de branchement fournie avec l'appareil - si la fiche ne correspond pas à la configuration de la prise de courant, demander à un électricien qualifié d'installer une prise de courant convenable.



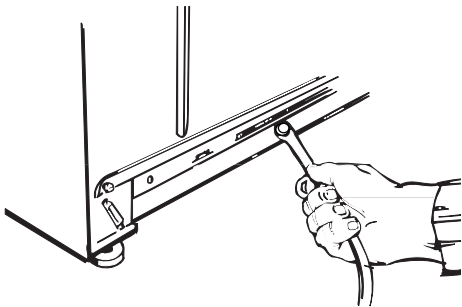
Commencement. . .

⚠ AVERTISSEMENT

Risque du poids excessif
Utiliser deux ou plus de personnes pour déplacer et installer la laveuse. Le non-respect de cette instruction peut causer une blessure au dos ou d'autre blessure.



1. Ôter le ruban adhésif qui recouvre la sangle d'expédition. Retirer complètement la sangle d'expédition avec les 2 goupilles de l'intérieur de la laveuse.



Tirer fermement pour séparer l'extrémité de la sangle de l'arrière de la laveuse. Pour la libération des pieds arrière qui assurent la mise à niveau de la laveuse, il faut que le bouton de la sangle soit totalement retiré de la laveuse.

Conserver la sangle d'expédition pour utilisation à l'étape 6.

Utiliser les tuyaux d'arrivée d'eau et joints neufs fournis avec la laveuse Whirlpool.

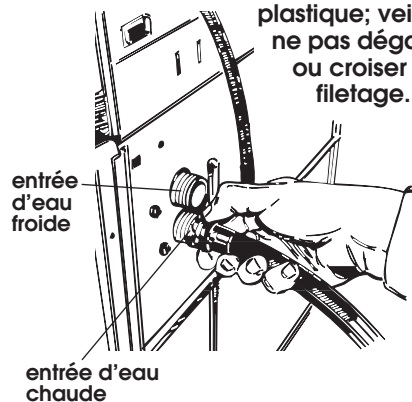
Remplacer les tuyaux flexibles d'alimentation d'eau après 5 ans d'utilisation pour réduire le risque d'un bris de tuyau. Inspecter les tuyaux d'alimentation d'eau et les remplacer si des renflements, déformations,

coupures, signes d'usure ou fuites apparaissent. Lors du remplacement des tuyaux d'alimentation d'eau, inscrire la date de remplacement sur l'étiquette avec un marqueur indélébile.



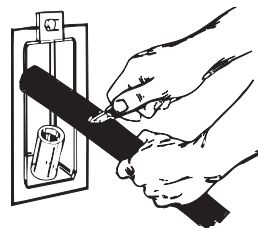
2. Insérer un joint dans chaque raccord des tuyaux d'arrivée d'eau. Vérifier que les joints sont bien placés au fond des raccords.

Les raccords d'entrées sont en plastique; veiller à ne pas dénuder ou croiser le filetage.



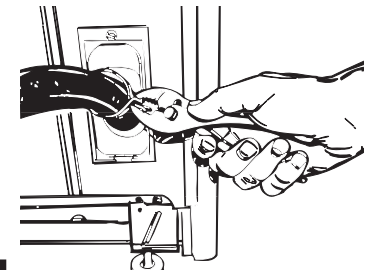
3. Connecter d'abord un tuyau d'arrivée d'eau à l'entrée inférieure; connecter ensuite le deuxième tuyau à l'entrée supérieure. Serrer les raccords à la main; utiliser ensuite une pince pour serrer les raccords de deux tiers de tour de plus.

Placer la laveuse sur une feuille de carton ou un panneau dur avant de la déplacer sur le sol.

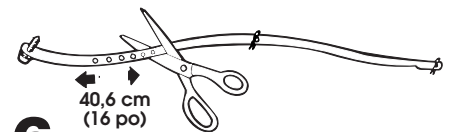


4. Rapprocher la laveuse de son emplacement final. Placer l'extrémité recourbée du tuyau d'évacuation dans le conduit de décharge à l'égout. Estimer la longueur du tuyau d'évacuation nécessaire lorsque la laveuse est à l'emplacement final. Le tuyau doit être coupé exactement à la longueur de telle sorte que l'extrémité recourbée soit maintenue solidement sur le bord du conduit de décharge à l'égout. Si le tuyau d'évacuation est trop long, couper l'extrémité rectiligne du tuyau. **(Ne pas couper l'extrémité recourbée du tuyau).**

NE PAS FAIRE DESCENDRE DE FORCE L'EXCÈS DU TUYAU D'ÉVACUATION DANS LE CONDUIT DE DÉCHARGE À L'ÉGOUT, CE QUI POURRAIT DONNER LIEU À UN EFFET DE SIPHON. Voir l'étape 6.



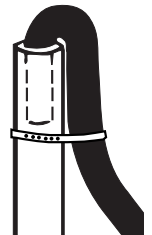
5. Placer la bride pour tuyau sur le raccord d'évacuation de la laveuse. Pousser le tuyau d'évacuation sur le raccord de la laveuse. Utiliser une pince pour ouvrir la bride et la glisser sur le tuyau d'évacuation. S'assurer qu'elle est bien serrée.



6. Mesurer et marquer un point à environ 40,6 cm (16 po) de l'extrémité de la sangle d'expédition. Couper la sangle à ce point.

Vérifier que le tuyau flexible n'est pas tordu ou déformé et qu'il est bien immobilisé en place.

Placer l'extrémité recourbée du tuyau flexible dans le conduit de décharge à l'égout. Bien serrer la sangle d'expédition autour du conduit de décharge à l'égout. Enfoncer le bouton dans le trou le plus proche de la sangle d'expédition.



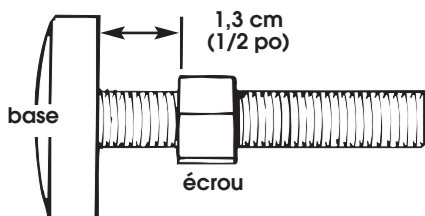
7. Avant de connecter les tuyaux d'arrivée d'eau, laisser l'eau couler dans un seau à partir des deux robinets d'alimentation, pour éliminer les particules solides présentes dans les conduites d'arrivée d'eau qui pourraient obstruer les tuyaux. Identifier le robinet d'eau chaude.



8. Relier le tuyau inférieur (entrée marquée « H ») au robinet d'eau chaude. Relier le tuyau supérieur (entrée marquée « C ») au robinet d'eau froide. Serrer les raccords à la main, puis utiliser une pince pour le serrage final de deux tiers de tour.



9. Mettre deux cornières l'une par-dessus l'autre. Incliner la laveuse vers l'arrière et insérer les cornières à 7,6 cm (3 po) de chaque côté de la laveuse.

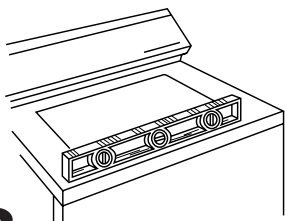


10. Utiliser les pieds et les écrous fournis dans le sachet de pièces. Visser l'écrou jusqu'à environ 1,3 cm (1/2 po) de la base.

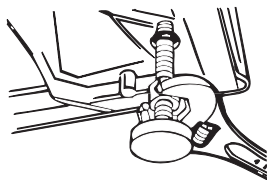


11. Insérer le pied dans le trou convenable à chaque angle avant de la laveuse, jusqu'à ce que l'écrou soit en contact avec la base de la laveuse. **Ne pas serrer les écrous avant l'étape 14.**

12. Incliner la laveuse vers l'arrière de la base et ôter les cornières. Abaisser doucement la laveuse sur le plancher. **Faire glisser la laveuse jusqu'à son emplacement permanent. Enlever la feuille de carton ou le panneau dur de dessous la laveuse.**

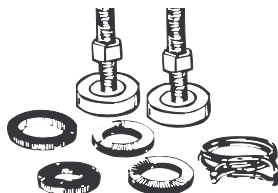


13. Incliner la laveuse vers l'avant pour soulever les pieds arrière de 2,5 cm (1 po) au-dessus du plancher. Laisser la laveuse redescendre doucement jusqu'au plancher. Vérifier l'aplomb de la laveuse transversalement et de l'avant à l'arrière (des deux côtés) avec un niveau.



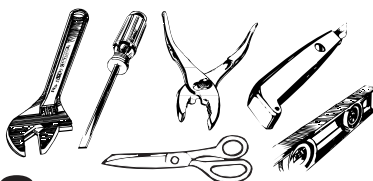
14. Si la laveuse n'est pas d'aplomb, visser les pieds avant vers le haut ou vers le bas pour réaliser l'aplomb. Exécuter le contrôle final avec un niveau. **Lorsque la laveuse est d'aplomb, faire tourner les écrous des pieds avant avec une clé à molette pour les mettre en contact avec la base de la laveuse. Si les écrous ne sont pas en contact étroit avec la base de la laveuse, elle pourrait vibrer.**

15. CONTRÔLER LES CARACTÉRISTIQUES DE L'ALIMENTATION ÉLECTRIQUE. VÉRIFIER QUE LES CARACTÉRISTIQUES DU CIRCUIT D'ALIMENTATION CORRESPONDENT À CELLES DE LA LAVEUSE, ET QU'ELLE EST CONVENABLEMENT RELIÉE À LA TERRE.



16. Vérifier que toutes les pièces sont installées. Voir la liste des pièces à la page 3. S'il y a une pièce supplémentaire, examiner successivement toutes les étapes pour identifier quelle étape a été omise.

17. Ouvrir les robinets d'eau et inspecter pour rechercher les fuites; le cas échéant, resserrer les raccords. **Ne Pas Serrer Excessivement;** ceci pourrait faire subir des dommages aux robinets.



18. Vérifier que tous les outils nécessaires sont présents. Vérifier que la sangle d'expédition a été retirée à l'arrière de la laveuse et utilisée pour l'immobilisation du tuyau d'évacuation. **Si la sangle n'a pas été entièrement retirée, la laveuse peut vibrer et faire du bruit.**

19. Brancher la fiche sur une prise de courant reliée à la terre.

NOTE : Sur certains modèles, durant les tests à l'usine, la minuterie est avancée partiellement dans le programme de telle sorte que le bouton de mise en marche est enfoncé. Laisser la minuterie se rendre jusqu'à la fin du programme. Une fois le programme terminé, la minuterie se réinitialisera et le bouton de mise en marche retournera à sa position de départ. Si on ne laisse pas la minuterie se rendre jusqu'à la fin du premier programme et se réinitialiser, le lavage de la charge ne s'achèvera pas.

Caractéristiques supplémentaires

! AVERTISSEMENT



Risque de choc électrique
Déconnecter le courant avant de faire des connexions électriques.
Le non-respect de cette instruction peut causer un décès ou un choc électrique.

Pour **LE RINCAGE TIÈDE** :

- Enlever les vis de chaque bout de l'arrière du tableau de commande.
- Tirer vers l'arrière du tableau de commande; soulever et incliner vers l'arrière.
- Connecter J1 à J2

Pour **ÉCONOMISER DE L'EAU** :

- Repérer le sélecteur de niveau d'eau à l'arrière de la laveuse. (Voir la couverture arrière.)
- Tourner la tige de 45° dans le sens antihoraire.

Liste de contrôle — fonctionnement de la laveuse

Si la laveuse ne fonctionne pas correctement, contrôler ce qui suit :

1. Cordon d'alimentation branché.
2. Disjoncteur ouvert ou fusible grillé.
3. La minuterie a été avancée au point de départ du programme.
4. Robinets d'arrivée d'eau ouverts.
5. Tuyaux d'arrivée d'eau et tuyau de décharge déformés.
6. Couvercle de la laveuse fermé.
7. Valve d'admission congelée si elle n'est pas protégée des intempéries.
8. Niveau de mousse. Une quantité excessive de mousse ralentit l'essorage et provoque un rinçage médiocre. Faire exécuter un programme complet par la laveuse, sans détergent. Utiliser moins de détergent ou utiliser par la suite un détergent à mousse contrôlée.

Si vous avez besoin d'assistance...

Le Centre d'interaction avec la clientèle de Whirlpool répondra à toute question sur le fonctionnement ou l'entretien de la laveuse non couverte dans les instructions d'installation. Le Centre d'interaction avec la clientèle de Whirlpool est ouvert 24 heures par jour, 7 jours par semaine. Il suffit de composer sans frais le 1-800-662-3587.

Lors de votre appel, vous aurez besoin des numéros de modèle et de série de la laveuse. Les deux numéros se trouvent sur la plaque signalétique fixée à votre appareil.

IMPORTANTES INSTRUCTIONS DE SÉCURITÉ

AVERTISSEMENT : Pour réduire les risques d'incendie, de choc électrique ou de blessures lors de l'utilisation de la laveuse, suivre les précautions fondamentales dont les suivantes :


- Lire toutes les instructions avant d'utiliser la laveuse.
- Ne pas laver des articles qui ont été nettoyés ou lavés avec de l'essence ou imbibés d'essence, solvants de nettoyage à sec, ou autres substances inflammables ou explosives; ces substances peuvent émettre des vapeurs susceptibles de s'enflammer ou d'exploser.
- Ne pas ajouter d'essence, solvant de nettoyage à sec ou autre produit inflammable ou explosif dans l'eau de lavage. Ces substances peuvent émettre des vapeurs susceptibles de s'enflammer ou d'exploser.
- Dans certaines conditions, de l'hydrogène gazeux a pu se former dans un circuit d'eau chaude qui n'a pas été utilisé pendant 2 semaines ou plus. **LE GAZ HYDROGÈNE EST EXPLOSIBLE.** Si le circuit d'eau chaude n'a pas été utilisé pendant une telle période, avant d'utiliser la laveuse, ouvrir tous les robinets d'eau chaude et laisser l'eau s'écouler pendant plusieurs minutes par chaque robinet. Ceci permettra l'évacuation de l'hydrogène gazeux accumulé. Comme ce gaz est inflammable, ne pas fumer ni utiliser une flamme nue au cours de cette période.
- Ne pas laisser des enfants jouer sur ou dans la laveuse. Bien surveiller les enfants lorsque la laveuse est utilisée à proximité d'enfants.
- Avant de mettre la laveuse au rebut ou hors de service, enlever le couvercle.
- Ne pas tenter d'atteindre un article à l'intérieur de la cuve de la laveuse lorsque la cuve ou l'agitateur est en mouvement.
- Ne pas installer ni remiser cette laveuse à un endroit où elle serait exposée aux intempéries.
- Ne pas modifier les organes de commande.
- Ne pas réparer ni remplacer un composant quelconque de la laveuse, ni entreprendre une opération de service, si ce n'est spécifiquement recommandé dans le manuel du propriétaire ou dans un manuel d'instructions de réparations destiné à l'utilisateur; il est alors essentiel que la personne concernée comprenne ces instructions et soit compétente pour les exécuter.
- Pour les instructions de liaison à la terre, voir la page trois dans cette brochure.


CONSERVEZ CES INSTRUCTIONS

Taille typique des charges complètes

Type de charge	Suggestion de chargement	Type de charge	Suggestion de chargement
Charge mixte	3 draps (lit à 2 places) 4 taies d'oreiller 6 shorts 8 T-shirts 2 chemises 2 chemisiers 8 mouchoirs	Vêtements de travail très sales	3 pantalons 3 chemises 1 combinaison 4 jeans 1 salopette
Pressage permanent	2 draps (lit à 2 places) ou 1 drap (lit très grand) 1 nappe 1 robe 1 chemisier 2 slacks 3 chemises 2 taies d'oreiller	Tricots	3 chemisiers 4 pantalons 6 chemises 4 tricots 4 robes

Conseils de fonctionnement

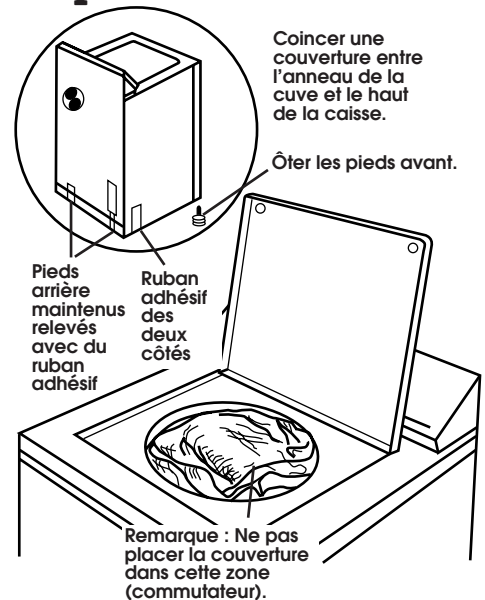
 **WARNING**



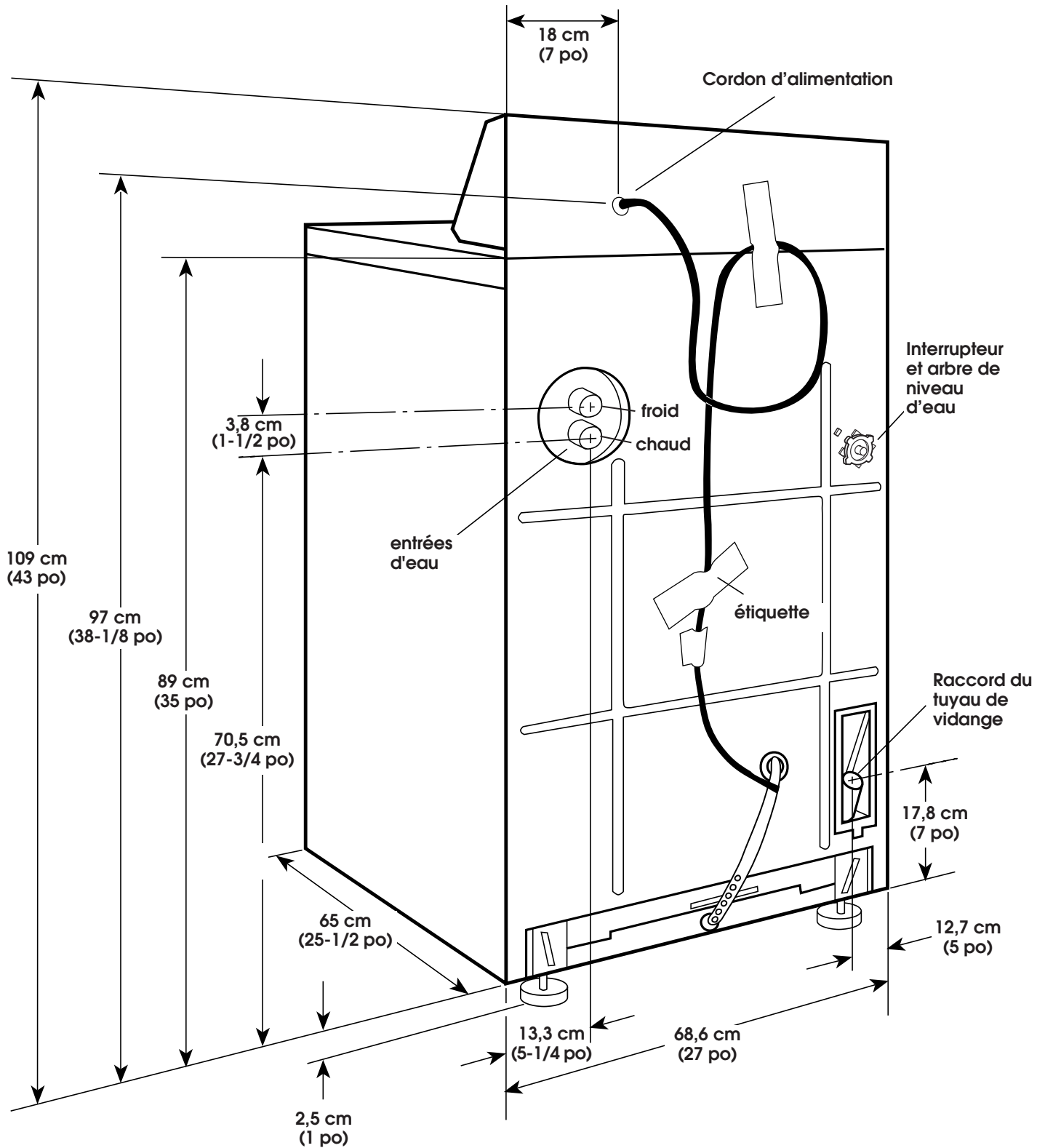
Risque d'incendie
Ne jamais mettre des articles humectés d'essence ou d'autres fluides inflammables dans la laveuse.
Aucune laveuse ne peut complètement enlever l'huile.
Ne pas faire sécher des articles qui ont été salis par tout genre d'huile (y compris les huiles de cuisson).
Le non-respect de ces instructions peut causer un décès, une explosion ou un incendie.

On recommande de ne pas laver dans une laveuse commandée par pièces de monnaie des articles contenant de la fibre de verre. S'il est nécessaire de laver de tels articles dans la laveuse, faire exécuter un programme complet à vide pour éliminer les résidus qui pourraient être restés dans la laveuse.

Déplacement de la laveuse vers un nouvel emplacement...



- Ôter les pieds avant de la laveuse.
- Ramener les deux pieds arrière de la laveuse à la position relevée; immobiliser ces pieds à l'aide de ruban adhésif.
- Placer du ruban adhésif sur les côtés et sous la caisse, près de l'arrière.
- Ouvrir le couvercle de la laveuse; coincer une couverture entre l'anneau de la cuve et le haut de la caisse pour empêcher tout mouvement de la cuve.
- Manipuler la laveuse avec prudence.
Ne pas laisser la laveuse tomber lors de l'utilisation d'un chariot manuel.



Free Manuals Download Website

<http://myh66.com>

<http://usermanuals.us>

<http://www.somanuals.com>

<http://www.4manuals.cc>

<http://www.manual-lib.com>

<http://www.404manual.com>

<http://www.luxmanual.com>

<http://aubethermostatmanual.com>

Golf course search by state

<http://golfingnear.com>

Email search by domain

<http://emailbydomain.com>

Auto manuals search

<http://auto.somanuals.com>

TV manuals search

<http://tv.somanuals.com>