

WASHER INSTALLATION INSTRUCTIONS

Table of Contents

| | |
|--|---|
| WASHER SAFETY | 1 |
| INSTALLATION REQUIREMENTS | 2 |
| Tools and Parts | 2 |
| Location Requirements | 3 |
| Drain System | 3 |
| Electrical Requirements | 4 |
| INSTALLATION INSTRUCTIONS | 4 |
| Before You Start..... | 4 |
| Remove Shipping Strap..... | 4 |
| Connect Drain Hose..... | 5 |
| Connect the Inlet Hoses | 5 |
| Secure the Drain Hose..... | 6 |
| Level the Washer..... | 7 |
| Complete Installation | 8 |

WASHER SAFETY

Your safety and the safety of others are very important.

We have provided many important safety messages in this manual and on your appliance. Always read and obey all safety messages.



This is the safety alert symbol.

This symbol alerts you to potential hazards that can kill or hurt you and others.

All safety messages will follow the safety alert symbol and either the word "DANGER" or "WARNING."

These words mean:

⚠ DANGER

You can be killed or seriously injured if you don't immediately follow instructions.

⚠ WARNING

You can be killed or seriously injured if you don't follow instructions.

All safety messages will tell you what the potential hazard is, tell you how to reduce the chance of injury, and tell you what can happen if the instructions are not followed.

INSTALLATION REQUIREMENTS

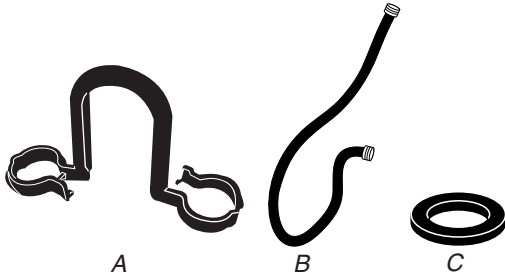
Tools and Parts

Gather the required tools and parts before starting installation. The parts supplied are in the washer basket.

Tools needed for connecting the drain hose and water inlet hoses:

- Pliers that open to 3.95 cm (1 $\frac{9}{16}$ ")
- Flashlight (optional)

Parts supplied:

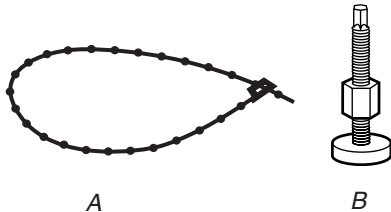


A. Drain hose form
 B. Water inlet hoses (2)
 C. Flat water inlet hose washers (4)

Tools needed for securing the drain hose and leveling the washer:

- Adjustable or open end wrench 14 mm ($\frac{9}{16}$ ")
- Wood block
- Level
- Ruler or measuring tape

Parts supplied:



A. Beaded tie strap
 B. Front leveling feet with nuts (2)

Alternate Parts

Your installation may require additional parts. For ordering information, please refer to the toll-free phone numbers on the front page of the Washer User Instructions.

| If You Have: | You Will Need to Buy: |
|--|--|
| Laundry tub or standpipe taller than 2.4 m (96") | Sump pump system (if not already available) |
| 2.5 cm (1") diameter standpipe | 3.2 cm (1 $\frac{1}{4}$ ") diameter to 2.5 cm (1") diameter standpipe adapter, Part Number 280130 |
| Overhead sewer | Standard 76 L (20 gal.) 99 cm (39") tall drain tub or utility sink, sump pump and connectors (available from local plumbing suppliers) |
| Floor drain | Siphon break, Part Number 280129; additional drain hose, Part Number 3357090 |
| Water faucets beyond reach of fill hoses | 2 longer water fill hoses: 1.8 m (6 ft) Part Number 76314, 3.0 m (10 ft) Part Number 350008 |
| Drain hose too short | Drain hose kit, Part Number 280131 |
| Lint clogged drain | Drain protector, Part Number 367031 |

Location Requirements

Selecting the proper location for your washer improves performance and minimizes noise and possible washer "walk."

Your washer can be installed in a basement, laundry room, closet, or recessed area. See "Drain System."

IMPORTANT: Do not install or store the washer where it will be exposed to the weather.

Proper installation is your responsibility.

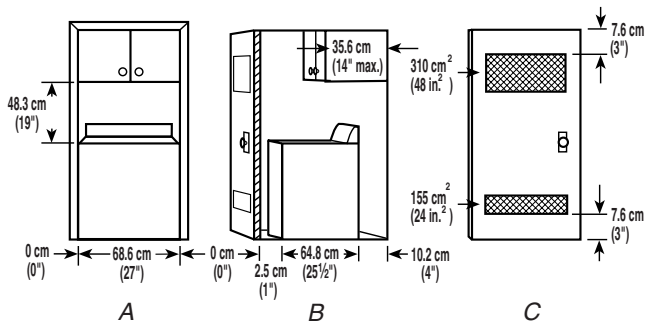
You will need:

- A water heater set to deliver 49°C (120°F) water to the washer.
- An earthed electrical outlet located within 1.2 m (4 ft) of where the power cord is attached to the back of the washer. See "Electrical Requirements."
- Hot and cold water faucets located within 90 cm (3 ft) of the hot and cold water fill valves, and water pressure of 34.5-690 kPa (5-100 psi). Washers with triple dispensers require 138-690 kPa (20-100 psi) for best performance.
- A level floor with a maximum slope of 2.5 cm (1") under entire washer. Installing the washer on carpeting is not recommended.
- A sturdy floor to support the washer weight (washer, water and load) of 143 kg (315 lbs).

Do not store or operate your washer in temperatures at or below 0°C (32°F). Some water can remain in the washer and can cause damage in low temperatures. See "Washer Care" in the Washer User Instructions for winterizing information.

Recessed area or closet installation

The dimensions shown are for the recommended spacing allowed (A and B), except the closet door ventilation openings. The dimensions shown for the closet door ventilation openings (C) are the minimum required.



A. Front view
B. Side view
C. Closet door with vents

- Additional spacing should be considered for ease of installation and servicing.
- Additional clearances may be required for wall, door and floor moldings.
- Additional spacing of 2.5 cm (1") on all sides of the washer is recommended to reduce noise transfer.
- If a closet door is installed, the minimum air openings in the top and bottom of the door are required (C). Louvered doors with air openings in the top and bottom are acceptable.
- Companion appliance spacing should also be considered.

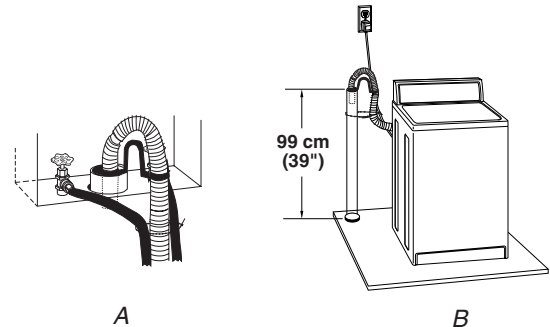
Drain System

The washer can be installed using the standpipe drain system (floor or wall), the laundry tub drain system, or the floor drain system. Select the drain hose installation method you need. See "Tools and Parts."

Standpipe drain system - wall or floor (views A & B)

The standpipe drain requires a minimum diameter standpipe of 5 cm (2"). The minimum carry-away capacity can be no less than 64 L (17 gal.) per minute. A 3.2 cm (1¼") diameter to 2.5 cm (1") diameter standpipe adapter kit is available. See "Tools and Parts."

The top of the standpipe must be at least 99 cm (39") high and no higher than 244 cm (96") from the bottom of the washer.



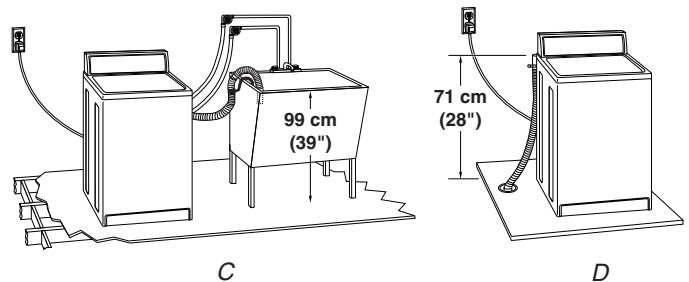
Laundry tub drain system (view C)

The laundry tub needs a minimum 76 L (20 gal.) capacity. The top of the laundry tub must be at least 99 cm (39") above the floor and no higher than 244 cm (96") from the bottom of the washer.

Floor drain system (view D)

The floor drain system requires a siphon break that may be purchased separately. See "Tools and Parts."

The siphon break must be a minimum of 71 cm (28") from the bottom of the washer. Additional hoses might be needed.



Electrical Requirements

⚠ WARNING



Electrical Shock Hazard

Electrically earth this appliance.

Do not use an extension cord or an electrical portable outlet device.

Failure to follow these instructions can result in death, fire, or electrical shock.

- A 240 volt, 50 Hz., AC only, 8 - 10-amp, fused electrical supply is required. A time-delay fuse or circuit breaker is recommended. It is recommended that a separate circuit serving only this appliance be provided.
- This washer is equipped with a power supply cord having an earthing plug.
- To minimize possible shock hazard, the cord must be plugged into a mating, earthing-type outlet, earthed in accordance with local codes and ordinances. If a mating outlet is not available, it is the personal responsibility and obligation of the customer to have the properly earthed outlet installed by a qualified electrician.
- If codes permit and a separate earth wire is used, it is recommended that a qualified electrician determine that the earth path is adequate.

- Do not earth to a gas pipe.
- Check with a qualified electrician if you are not sure the washer is properly earthed.
- Do not have a fuse in the neutral or earth circuit.

EARTHING INSTRUCTIONS

For an earthed, cord-connected washer:

This washer must be earthed. In the event of a malfunction or breakdown, earthing will reduce the risk of electrical shock by providing a path of least resistance for electric current. This washer is equipped with a cord having an equipment-earthing conductor and an earthing plug. The plug must be plugged into an appropriate outlet that is properly installed and earthed in accordance with all local codes and ordinances.

WARNING: Improper connection of the equipment-earthing conductor can result in a risk of electric shock. Check with a qualified electrician or serviceman if you are in doubt as to whether the appliance is properly earthed.

Do not modify the plug provided with the appliance – if it will not fit the outlet, have a proper outlet installed by a qualified electrician.

For a permanently connected washer:

This washer must be connected to an earthed metal, permanent wiring system, or an equipment earthing conductor must be run with the circuit conductors and connected to the equipment-earthing terminal or lead on the appliance.

INSTALLATION INSTRUCTIONS

Before You Start

⚠ WARNING

Excessive Weight Hazard

Use two or more people to move and install washer.

Failure to do so can result in back or other injury.

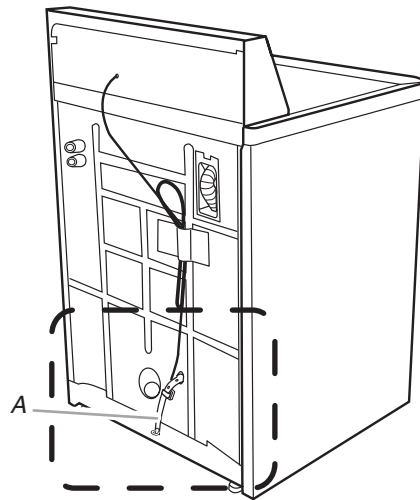
NOTE: To avoid floor damage, set the washer onto cardboard before moving across floor.

Remove Shipping Strap

Removing the shipping strap is necessary for proper operation. If the shipping strap is not removed, the washer will make excessive noise.

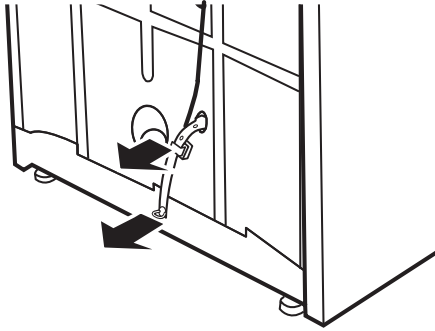
1. Move the washer to within approximately 90 cm (3 ft) of its final location.
2. The washer must be in the upright position and not tilted before removing the shipping strap.

3. Locate the yellow shipping strap on the rear of the machine near the bottom.

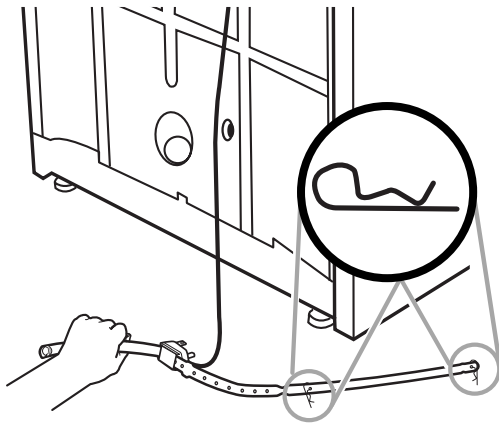


A. Yellow shipping strap

4. Pull yellow shipping strap firmly, until both ends are completely removed from washer.



5. Check that the two (2) cotter pins were removed with the shipping strap.

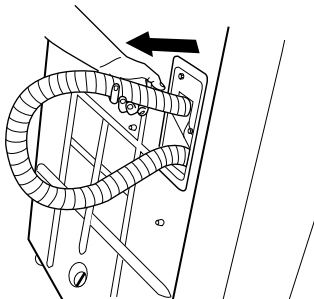


Connect Drain Hose

Proper connection of the drain hose protects your floors from damage due to water leakage. Read and follow these instructions. The drain hose is connected to your washer and is stored inside the washer cabinet.

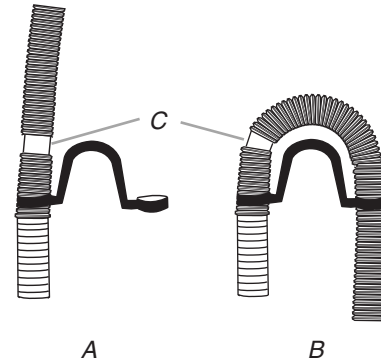
Remove drain hose from washer cabinet

Gently pull the corrugated drain hose out of the washer from the top of the hose. Continue to pull the hose until the end emerges. Do not force excess drain hose back into the rear of the washer.



Laundry tub drain or standpipe drain

Connecting the drain hose form to the corrugated drain hose



- A. Place end of drain hose form around hose at drain hose relief. Squeeze the latch of the drain hose form until it snaps into place.
- B. Place the other end of the drain hose form around one of the remaining drain hose reliefs. Squeeze the latch of the drain hose form until it snaps into place.
- C. Drain hose relief

To keep drain water from going back into the washer:

- Do not force excess drain hose into standpipe. Hose should be secure but loose enough to provide a gap for air.
- Do not lay excess hose on the bottom of the laundry tub.

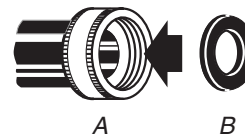
Floor drain

Do not install the drain hose form on to the corrugated drain hose. You may need additional parts. See Floor drain under "Tools and Parts."

Connect the Inlet Hoses

The washer must be connected to the water faucets using the new inlet hoses. Do not use old hoses.

1. Insert new flat washers (supplied) into each end of the inlet hoses. Firmly seat the washers in the couplings.



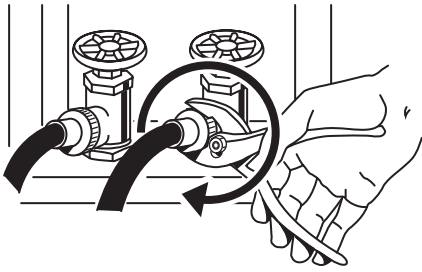
A. Coupling
B. Washer

Connect the inlet hoses to the water faucets

Make sure the washer basket is empty.

1. Attach the hose labeled hot to the hot water faucet. Screw on coupling by hand until it is seated on the washer.
2. Attach the hose labeled cold to the cold water faucet. Screw on coupling by hand until it is seated on the washer.

- Using pliers, tighten the couplings with an additional two-thirds turn.

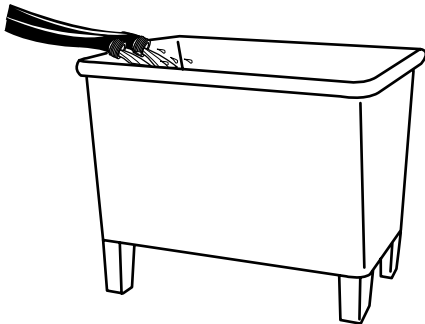


Tighten the couplings with an additional two-thirds turn.

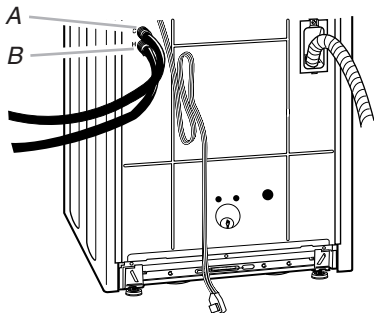
NOTE: Do not overtighten or use tape or sealants on the valve. Damage to the valves can result.

Clear the water lines

- Run water through both faucets and inlet hoses, into a laundry tub, drainpipe or bucket, to get rid of particles in the water lines that might clog the inlet valve screens.
- Check the temperature of the water to make sure that the hot water hose is connected to the hot water faucet and that the cold water hose is connected to the cold water faucet.

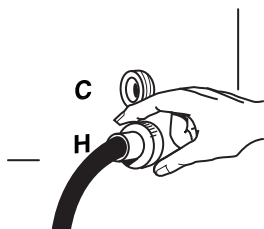


Connect the inlet hoses to the washer



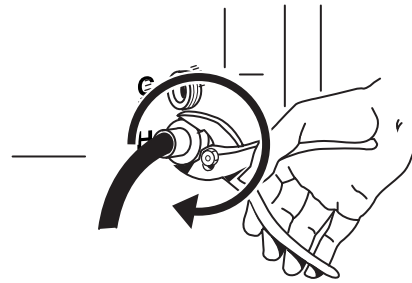
A. Cold water inlet valve
B. Hot water inlet valve

- Attach the hot water hose to the bottom inlet valve.
- Attaching the hot water coupling first makes it easier to tighten connection with pliers.
- Screw on coupling by hand until it is seated on the washer.



- Using pliers, tighten the couplings with an additional two-thirds turn.

NOTE: Do not overtighten or use tape or sealants on the valve. Damage to the valves can result.



- Attach the cold water hose to the top inlet valve.
- Screw on coupling by hand until it is seated on the washer.
- Using pliers, tighten the couplings with an additional two-thirds turn.

NOTE: Do not overtighten or use tape or sealants on the valve. Damage to the valves can result.

Check for leaks

- Turn on the water faucets and check for leaks. A small amount of water might enter the washer. You will drain this later.

NOTE: Replace inlet hoses after 5 years of use to reduce the risk of hose failure. Record hose installation or replacement dates for future reference.

- If you connect only one water hose, you must cap off the remaining water inlet port.
- Periodically inspect and replace hoses if bulges, kinks, cuts, wear, or leaks are found.

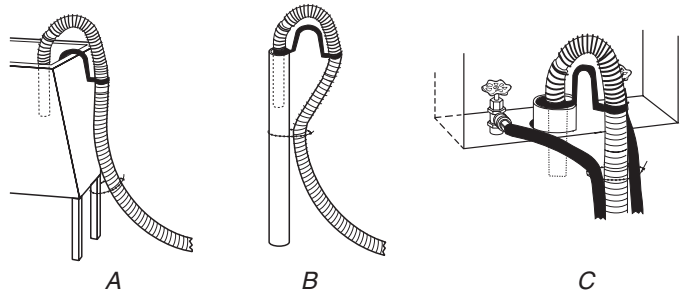
Secure the Drain Hose

- Remove the shipping strap from the power cord. Drape the power cord over the console.
- Remove any cardboard used to move washer.



Beaded tie strap

- Wrap the drain hose to the laundry tub leg or drain standpipe with the beaded tie strap. Push fastener into the nearest hole in the beaded tie strap. See view A or B.



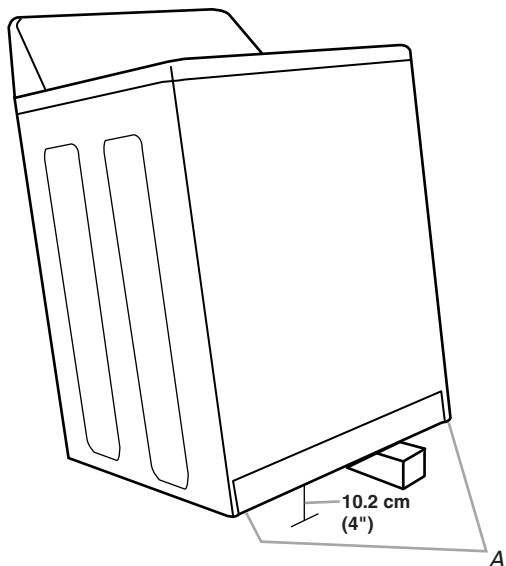
If the washer faucets and the drain standpipe are recessed, put the formed end of the drain hose into the standpipe. Tightly wrap the tie strap around the water inlet hoses and the drain hose. See view C.

Level the Washer

Properly leveling your washer avoids excessive noise and vibration.

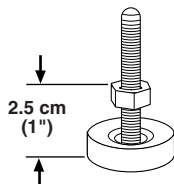
Install the Front Leveling Feet

1. Prop up the front of the washer about 10.2 cm (4") with a wood block or similar object. The block needs to support the weight of the washer.



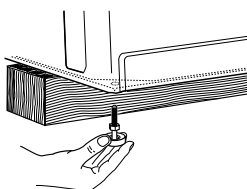
A. Threaded holes for feet

2. Screw the locknut onto each foot to within 2.5 cm (1") of the foot base.



3. Screw the feet into the threaded holes at the front corner of the washer until the nuts touch the washer. Twist the feet to install.

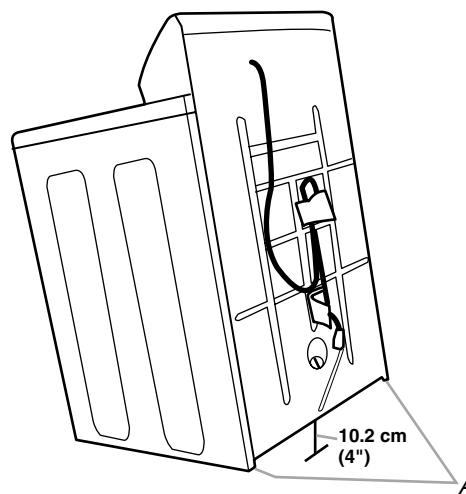
NOTE: Do not tighten the nuts until the washer is level.



4. Tilt the washer back and remove the wood block. Gently lower the washer to the floor.

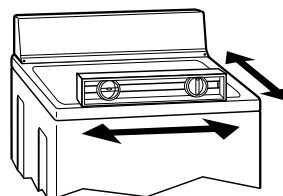
Steps in Final Location

1. Slide the washer to its final location.
2. Tilt the washer forward until the rear of the washer is at least 10.2 cm (4") off the floor. You may hear the self-adjusting rear feet click into place. Lower the washer to the floor.

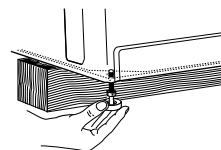


A. Self-adjusting feet

3. Check the levelness of the washer by placing a level on the top edges of the washer, first side to side, then front to back.

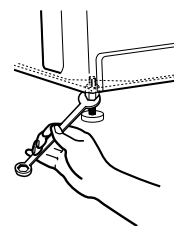


4. If the washer is not level, move the washer out slightly, tip back, prop up the front of the washer with the wood block and adjust the feet up or down as necessary by twisting the feet. Turn the feet clockwise to raise the washer or counterclockwise to lower the washer. Repeat steps 1 through 4 until washer is level.



5. After the washer is in its final location and level, use a 14 mm or 9/16" open-end wrench to turn the nuts counterclockwise on the feet tightly against the washer cabinet.

IMPORTANT: If the nuts are not tight against the washer cabinet, the washer may vibrate.



Complete Installation

1. Check the electrical requirements. Be sure that you have the correct electrical supply and the recommended earthing method. See "Electrical Requirements."
2. Check that all parts are now installed. If there is an extra part, go back through the steps to see which step was skipped.
3. Check that you have all of your tools.
4. Check that the yellow shipping strap was completely removed from the lower back of the washer.
5. Dispose of or recycle all packaging materials.
6. Check that the water faucets are on.
7. Check for leaks around faucets and inlet hoses.

⚠ WARNING



Electrical Shock Hazard

Electrically earth this appliance.

Do not use an extension cord or an electrical portable outlet device.

Failure to follow these instructions can result in death, fire, or electrical shock.

8. Plug into an earthed outlet.
9. Remove the protective film on the console and any tape remaining on the washer.
10. Read "Washer Use" in the Washer User Instructions.
11. To test and to clean your washer, measure $\frac{1}{2}$ of the normal recommended amount of powdered or liquid detergent and pour it into the washer basket or detergent dispenser (on some models). Close the lid. Select any cycle, and then pull the cycle control knob out to start the washer. Allow it to complete one whole cycle.

Free Manuals Download Website

<http://myh66.com>

<http://usermanuals.us>

<http://www.somanuals.com>

<http://www.4manuals.cc>

<http://www.manual-lib.com>

<http://www.404manual.com>

<http://www.luxmanual.com>

<http://aubethermostatmanual.com>

Golf course search by state

<http://golfingnear.com>

Email search by domain

<http://emailbydomain.com>

Auto manuals search

<http://auto.somanuals.com>

TV manuals search

<http://tv.somanuals.com>