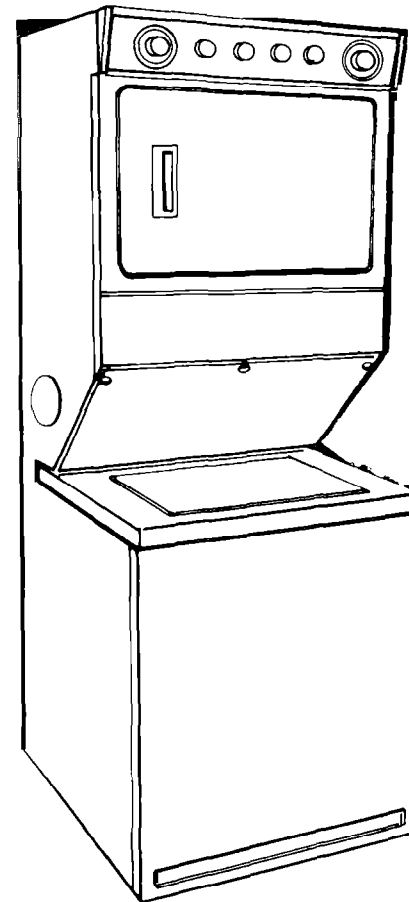


Installation Instructions



Part No. 3389591

IMPORTANT:
Read and save
these instructions.

IMPORTANT:

Installer: Leave Installation Instructions with the homeowner.

Homeowner: Keep Installation Instructions for future reference.

Save Installation Instructions for local electrical inspector's use.

**Large Capacity Thin Twin
Washer • Dryer
Four-wire 240 Volt**



Before you start...

Check location where washer/dryer will be installed. Proper installation is your responsibility. The dryer must not be installed or stored in an area where it will be exposed to water and/or weather. Make sure you have everything necessary for correct installation.

Grounded electrical outlet is required. See "Electrical requirements."

Standpipe drain system: Needs a two-inch diameter standpipe with minimum carry-away capacity of 17 gallons per minute. Top of standpipe must be at least 34 inches high and no higher than 72 inches from floor.

Floor drain system: Requires a siphon break, Part No. 285320, available from a Whirlpool-authorized parts distributor.

Dryer may be exhausted from the rear or left or right side. Exhausting through the side requires Part. No. 3391335. (See "Exhaust requirements," Panel B.)

Four-inch metal exhaust duct is required.

Important: Observe all governing codes and ordinances.

Check code requirements: Some codes limit or do not permit installation of clothes dryers in garages, closets, mobile homes and sleeping quarters. (Contact your local building inspector.)

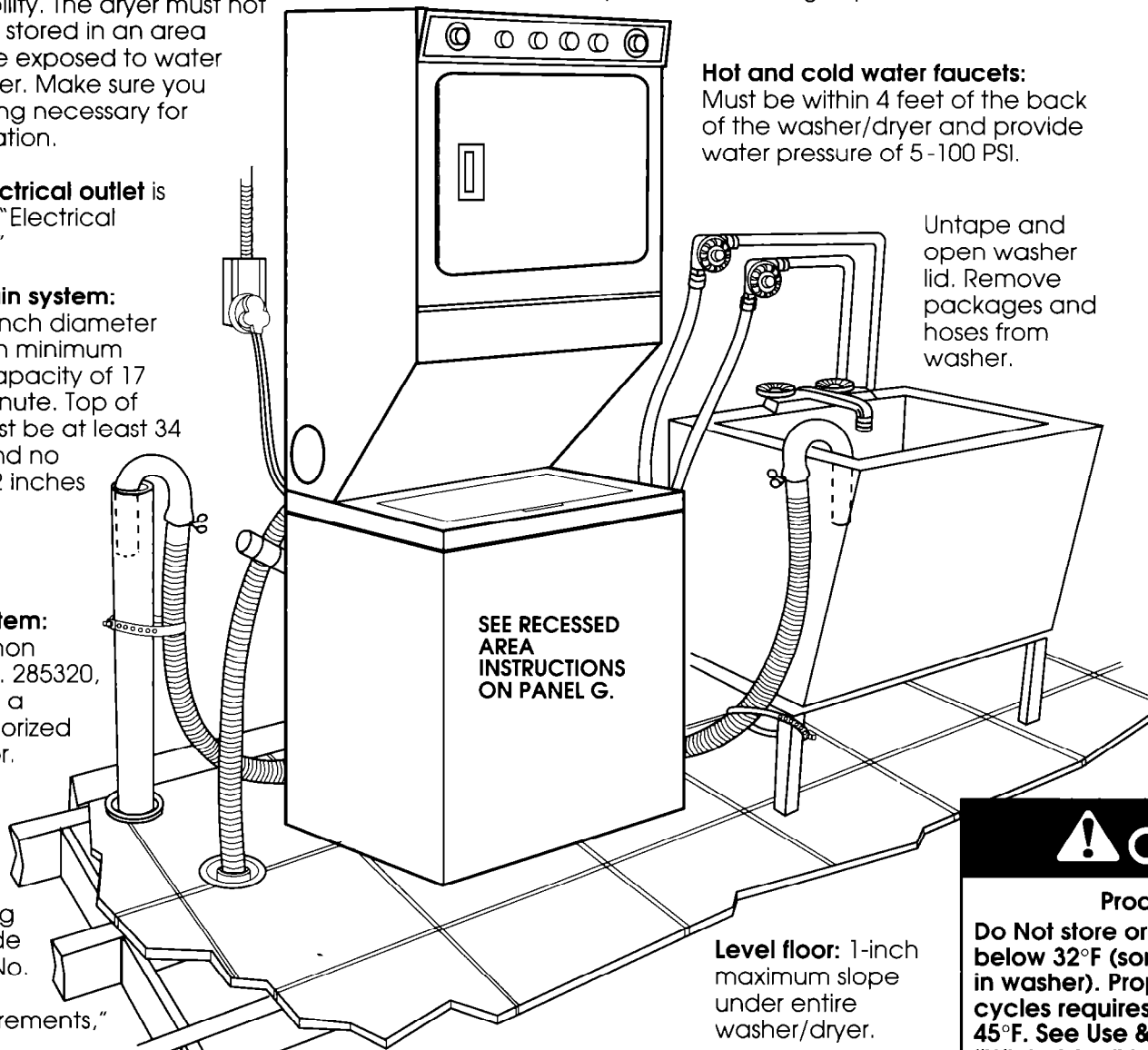
Water heater: Set to deliver 140°F water to the washer.

Laundry tub drain system: Needs a 20-gallon laundry tub. Top of tub must be at least 34 inches high and no higher than 72 inches from floor.

If a longer drain hose is needed, drain hose (Part No. 388423) and hose extension kit (Part No. 285442) are available from Whirlpool-authorized parts distributors.

Location: Should be large enough to fully open dryer door to 90°. (See "Recessed and closet installation instructions" and "Product dimensions," Panel G.)

Check utilities: Proper water and electric supply connections **must** be available.



Hot and cold water faucets: Must be within 4 feet of the back of the washer/dryer and provide water pressure of 5-100 PSI.

Untape and open washer lid. Remove packages and hoses from washer.

Level floor: 1-inch maximum slope under entire washer/dryer.

Support: Floor must be sturdy enough to support washer/dryer weight, with water and clothes, of 500 pounds.

CAUTION

Product Damage

Do Not store or operate washer/dryer below 32°F (some water may remain in washer). Proper operation of dryer cycles requires temperatures above 45°F. See Use & Care Guide for "Winterizing" information. Failure to do so may result in damage from freezing.

WARNING

Fire Hazard

For your safety, the information in this manual must be followed to minimize the risk of fire or explosion or to prevent property damage, personal injury or loss of life.

- Do Not store or use gasoline or other flammable vapors and liquids in the vicinity of this or any other appliance.
- Never install washer/dryer up against draperies or curtains or on carpet.
- Keep any and all items from falling or collecting behind the washer/dryer.
- Replace all access panels before operating washer/dryer.

Failure to follow these instructions could result in a fire, explosion or electrical shock.

Electrical requirements

WARNING

Electrical Shock Hazard

- Electrical ground is required on this appliance.
- If cold water pipe is interrupted by plastic, non-metallic gaskets, or other insulating materials, Do Not use for grounding.
- Do Not ground to a gas pipe.
- Do Not modify the power supply cord plug. If it will not fit the outlet, have a proper outlet installed by a qualified electrician.
- Use a new 30-ampere power supply cord kit. Do Not reuse an old power supply cord. Possible electrical shock or fire hazard could occur if old power supply cord is used.
- Do Not have a fuse in the neutral or grounding circuit. A fuse in the neutral or grounding circuit could result in an electrical shock.
- Do Not use an extension cord with this appliance.
- Check with a qualified electrician as to whether the appliance is properly grounded.

Failure to follow these instructions could result in serious injury or death.

If codes permit and a separate grounding wire is used, it is recommended that a qualified electrician determine that the grounding path is adequate.

1. A three-wire, single-phase, 120/240-volt, 60-Hz, AC-only electrical supply with a fourth wire as a grounding wire (or three-wire, 120/208-volt electrical supply with a fourth wire as a grounding wire if specified on serial/rating plate) is required on a separate 30-ampere circuit, fused on both sides of the line. The fourth (grounding) conductor must be identified by a green or green/yellow cover and the neutral conductor by a white cover. Time-delay fuse or circuit breaker is recommended. The serial/rating plate is located in the door well behind the dryer door on the front of the opening.

2.

This washer/dryer is equipped with a 30-amp-rated, four-wire, flexible-type, power supply cord (pigtail) and a 3/4", U.L.-listed strain relief. (See Figure 1.) Where local codes permit, it must be plugged into a mating, 30-amp receptacle (NEMA Type 14-30R). (See Figure 2.)

3/4", U.L.-listed strain relief

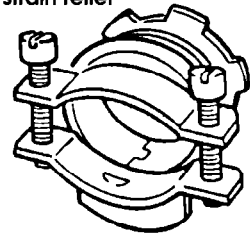


Figure 1

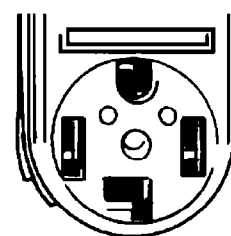


Figure 2

(14-30R) 4-wire receptacle

Typical 30-amp receptacle; use where local codes permit flexible-type power supply cord (pigtail).

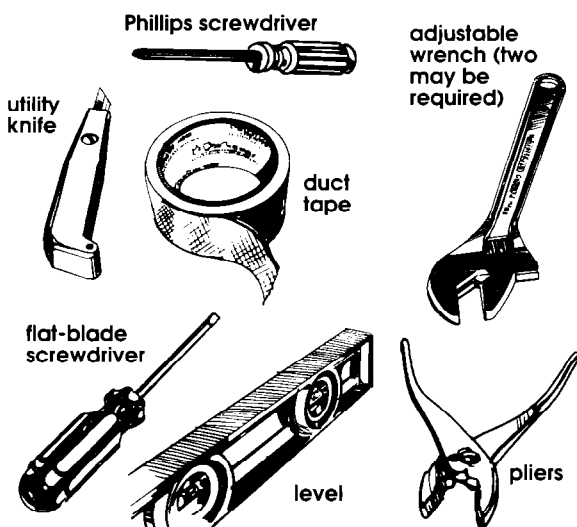
3.

IF THE POWER SUPPLY CORD IS REMOVED, THE WASHER/DRYER MUST BE CONNECTED WITH 10-GAUGE MINIMUM COPPER WIRE ONLY. See "Alternate electrical connection," Panels E and F, for detailed instructions.

4.

The power supply cord (pigtail) can be removed and the appliance can be connected directly to an individual, 30-ampere fuse or circuit breaker box through flexible armored or non-metallic sheathed 10-gauge-minimum copper cable. It is the personal responsibility and obligation of the customer to contact a qualified electrician to assure that the electrical installation is adequate and is in conformance with National Electrical Code ANSI/NFPA 70—latest edition and all local codes and ordinances. Allow slack in the line between the wall and the appliance so that it can be moved if servicing is ever necessary. A 3/4" U.L.-listed strain relief must be provided at each end of the power supply cable (at the appliance and at the junction box).

Tools and materials needed for installation:



5. If you must change to a three-wire, single-phase, 120/240-volt, 60-Hz, AC-only, electrical supply system, and local codes permit, a U.L.-listed, 120/240-volt minimum, 30-ampere, dryer power supply cord kit with a receptacle of NEMA Type 10-30R may be used. (See Figure 3.) This cord must contain three, No.-10 copper conductors with ring terminals or spade terminals with upturned ends on the washer/dryer end. Where local codes permit, it must be plugged into a mating 30-ampere receptacle (NEMA Type 10-30R). Cord should be Type SRD or SRDT and be at least four feet long. The three-wire power supply cord is not provided with the washer/dryer. A kit, Part No. 687104, is available from your Whirlpool dealer.

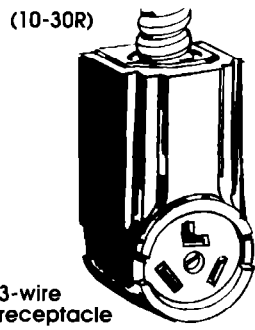
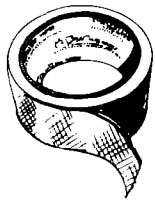


Figure 3

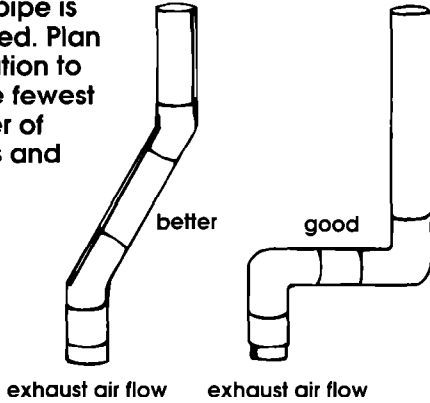
NOTE: If local codes require permanently connected wiring, see "Alternate electrical connection," Panels E and F.

To convert to three-wire electrical system, the four-wire power supply cord must be removed and the appliance cabinet must be grounded according to local codes either by using the neutral terminal or a separate grounding wire. (See "Alternate electrical connection," Panels E and F for detailed instructions).

Use duct tape to seal all joints.



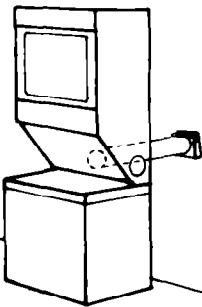
Four-inch rigid metal pipe is preferred. Plan installation to use the fewest number of elbows and turns.



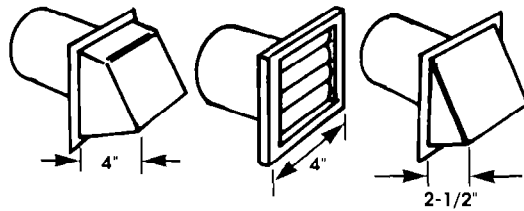
Metal flexible duct should be fully extended and supported when the dryer is in its final position. DO NOT KINK OR CRUSH THE DUCT. The metal flexible duct must be completely open to allow adequate exhaust air to flow.

Allow as much room as possible when using elbows or making turns. Bend duct gradually to avoid kinking. Remove excess flexible duct to avoid sagging and kinking that may result in reduced air flow.

The exhaust duct can be routed up, down, left, right or straight out the back of the washer/dryer. Space requirements are provided on Panel G of the Installation Instructions and on the rear panel of the washer/dryer.



Maximum length of the exhaust system depends upon the type of duct used, number of elbows and the type of exhaust hood. The maximum length for both rigid and flexible duct is shown in the chart.



Rear, Side or Bottom Exhaust		
Number of 90° Turns		
0	42 FT.	MAXIMUM LENGTH OF 4" DIA. RIGID METAL DUCT
1	34 FT.	
2	26 FT.	
0	26 FT.	MAXIMUM LENGTH OF 4" DIA. FLEXIBLE METAL DUCT
1	21 FT.	
2	16 FT.	

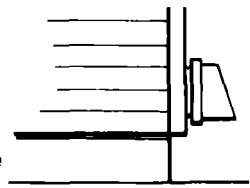
For exhaust systems not covered by the exhaust length chart, see Whirlpool Service Manual, *Exhausting Whirlpool Dryers*, Part No. 603197, available from your Whirlpool parts distributor.

Service check: The back pressure in any exhaust system used must not exceed 0.6 inches of water column measured with an incline manometer at the point that the exhaust duct connects to the dryer.

Exhausting the dryer outside is recommended. A closet installation must be exhausted outside. Recessed installation that is not exhausted outside must use Exhaust Deflector Part No. 694609 available from your Whirlpool dealer. See "Recessed and closet installation instructions," Panel G, for adequate, unobstructed air opening requirements.

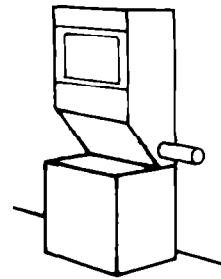
If the washer/dryer is installed in a confined area such as a bedroom, bathroom or closet, it must be exhausted to the outside and provision must be made for enough air for combustion and ventilation. Check governing codes and ordinances. Also refer to "Recessed and closet installation instructions," Panel G.

An exhaust hood should cap the exhaust duct to prevent exhausted air from returning into dryer. The outlet of the hood must be at least 12 inches from the ground or any object that may be in the path of the exhaust.



Four-inch outlet hood is preferred. However, a 2-1/2-inch outlet exhaust hood may be used. A 2-1/2-inch outlet creates greater back pressure than other hood types.

Exhausting the dryer through the side of the washer/dryer requires the use of Side Exhaust Kit, Part No. 3391335. Follow kit installation instructions for proper exhaust installation.



Mobile home installation

This appliance is suitable for mobile home installation. The installation of the washer/dryer must conform to the **Manufactured Home Construction and Safety, Title 24 CFR, Part 3280** (formerly the **Federal Standard for Mobile Homes Construction and Safety, Title 24, HUD Part 280, latest edition**).

Mobile home exhaust requirements: The washer/dryer must have an outside exhaust. If the dryer is exhausted through the floor and the area under the mobile home is enclosed, the exhaust system **must** terminate outside the enclosed area. Extension beyond the enclosure will prevent lint and moisture build-up under the mobile home.

Exhaust requirements

WARNING

Fire/Health Hazard

- Do Not use non-metal, flexible duct.
- Do Not use metal duct smaller than four inches in diameter.
- Do Not use exhaust hoods with magnetic latches.
- Check that exhaust system is not longer than specified. Exhaust systems longer than specified will:
 - Accumulate lint.
 - Shorten the life of the dryer.
 - Reduce performance, resulting in longer drying times and increased energy usage.

Failure to follow specifications may result in a fire.

- Do Not exhaust dryer into a chimney, furnace cold air duct, attic or crawl space, or any other duct used for venting.
- Clean the exhaust system every other year.
- Do Not install flexible duct in enclosed walls, ceilings or floors. Accumulated lint could result in a fire or cause moisture damage.

- Exhausting your dryer indoors is not recommended. The moisture and lint indoors may cause:
 - FIRE HAZARD from lint collected in dryer.
 - Moisture damage to woodwork, furniture, paint, wallpaper, carpet, etc.
 - Housecleaning problems and possible health problems.

Failure to follow these instructions could result in fire damage or personal injury.

Now start...

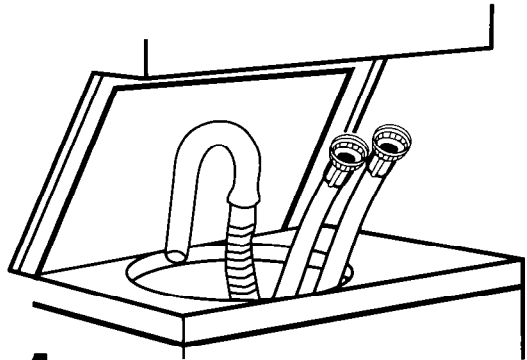
With washer/dryer in laundry area.

! WARNING

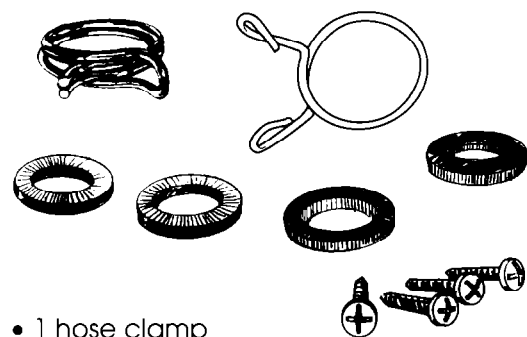
Personal Injury Hazard

More than one person is required to lift, tilt or move the washer/dryer because of its weight and size. Failure to follow this instruction may result in personal injury.

Truck only from rear to prevent product damage.

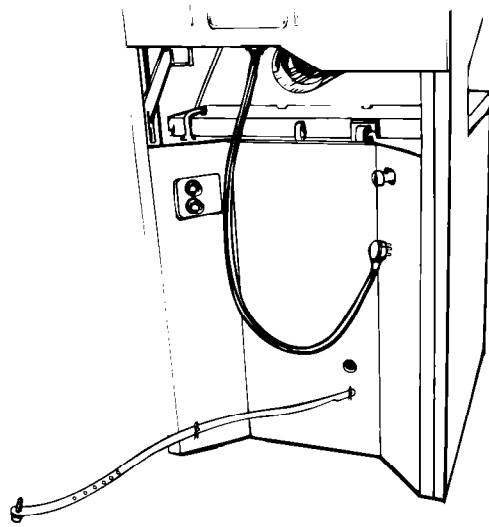


1. Open washer lid. Take hoses and parts packages out of basket. Close lid.



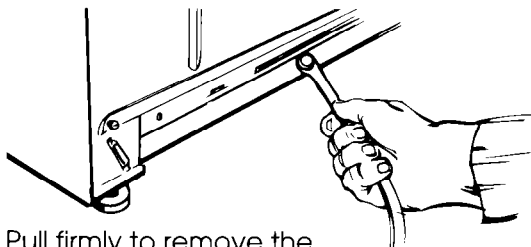
- 1 hose clamp
- 4 flat, water-hose washers
- 4 cable-bracket screws
- 1 small clamp

2. Remove parts from package. Check that all parts were included.



Pull the shipping strap completely out of the washer.

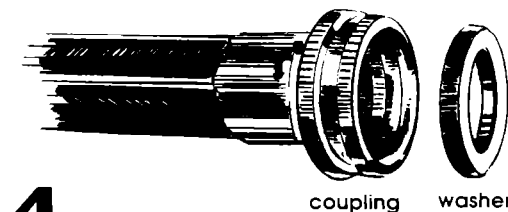
3. Pull to completely remove the shipping strap with 2 cotterpins from the inside of the washer/dryer.



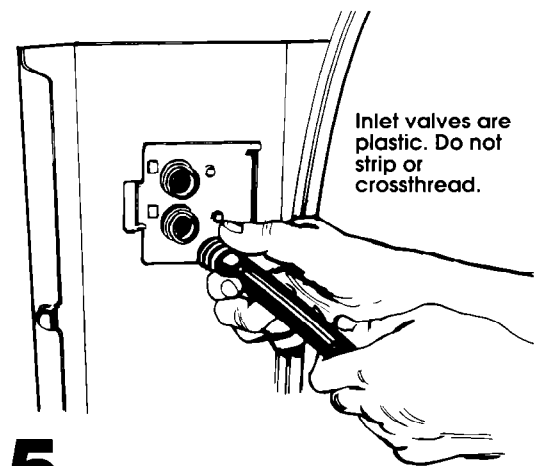
Pull firmly to remove the other end of the shipping strap from the back of the washer/dryer. The shipping strap plug must be completely removed from the washer/dryer for the self-leveling legs to be released.

Save the shipping strap for use in Step 15.

Use new hose and washers that came with your washer/dryer.



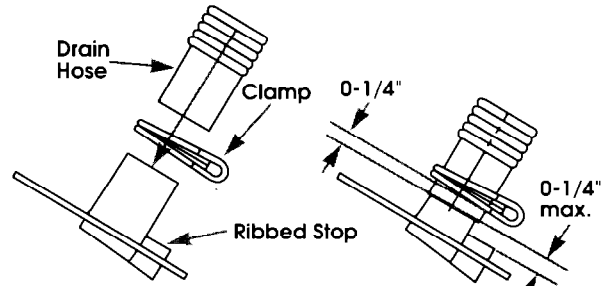
4. Insert a flat washer into each end of the inlet hoses. Check that washers are firmly seated in couplings.



Inlet valves are plastic. Do not strip or crossthread.

5. Attach hose to bottom inlet valve opening first; then second hose to top inlet valve. Tighten couplings by hand. Then use pliers to make an additional two-thirds turn.

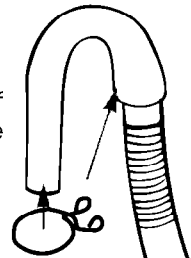
IMPORTANT: THIS PROCEDURE MUST BE FOLLOWED TO ASSURE PROPER INSTALLATION.



6. To prevent the drain hose from coming off or leaking, it must be installed per the following instructions:

1. Wet the inside end of the drain hose with tap water. **DO NOT USE ANY OTHER LUBRICANT.**
2. Squeeze ears of clamp with pliers to open and place clamp over the end of the drain hose.
3. While holding clamp open, work end of drain hose onto drain connector until drain hose is within 1/4 inch of ribbed stop.
4. When the end of the drain hose is within 1/4 inch of ribbed stop, position clamp on drain hose so that the bottom of the clamp is 1/4 inch from the end of the hose, release pliers.

7. Open clamp and slide over "hook" end of drain hose to secure the rigid and corrugated sections together.



! CAUTION

Floor Damage

Slide washer/dryer onto cardboard or hardboard before moving across floor.

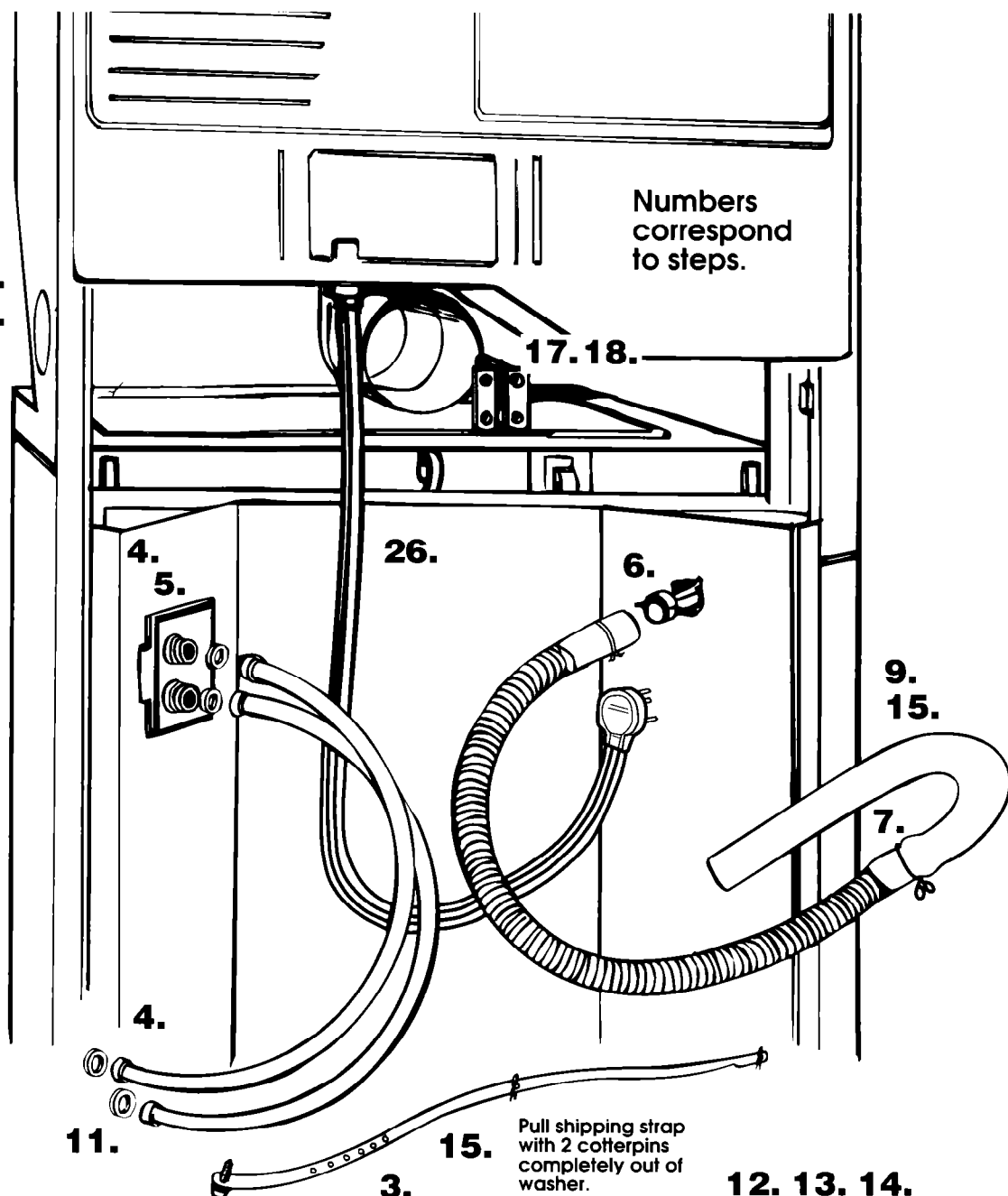
Failure to do so may cause damage to floor covering.

8. If you have room to work from either side of the washer/dryer, move washer/dryer close to final position so you can easily complete the following steps. (Go to Step 9.)

If you are working in a closet or recessed area, move the washer/dryer into its final position and remove cardboard or hardboard from under washer/dryer. Remove the access panel by removing three Phillips-head screws and one bumper, located at the top of the access panel. Set panel, screws and bumper aside. (See Step 16.) Complete the following steps through the access area.

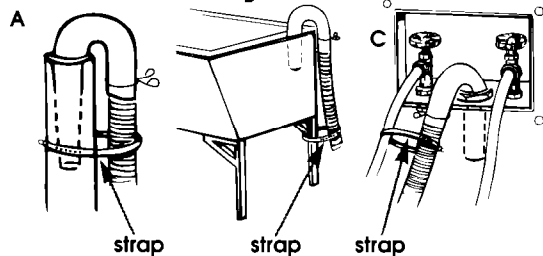
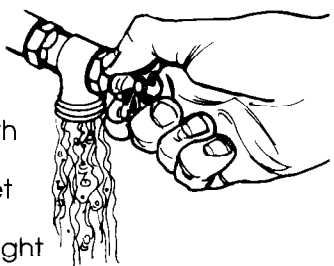
9. Put "hook" end of drain hose into laundry tub or standpipe. Check for proper length of drain hose.

DO NOT FORCE EXCESS LENGTH OF DRAIN HOSE DOWN THE STANDPIPE. THIS COULD CAUSE SIPHONING.



Numbers correspond to steps.

10. Before attaching water inlet hoses, run water through both faucets into a bucket. This will get rid of particles in water lines that might clog hoses. Mark which is the hot water faucet.

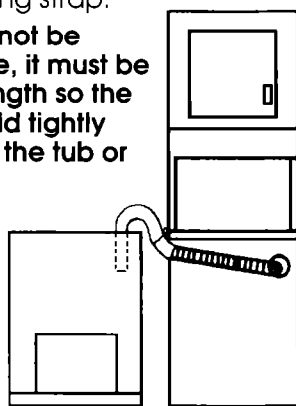


Put "hook" end of drain hose in tub or standpipe. Tightly wrap the shipping strap around the drain hose and tub or standpipe or inlet hose as shown in Figures A-C. Push plug into the nearest hole in the shipping strap.

If drain hose cannot be strapped in place, it must be cut exactly to length so the "hook" end is held tightly over the edge of the tub or standpipe.

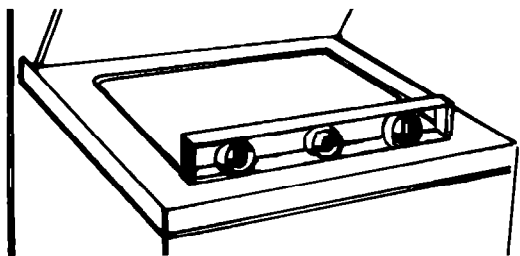
If a longer drain hose is needed, drain hose (Part No. 388423) and hose extension kit (Part No. 285442) are available from a Whirlpool-authorized parts distributors. If drain hose must be shortened, use hose kit (Part No. 285442).

Note: If washer/dryer is moved to adjust drain hose, the washer/dryer must be leveled again. Repeat Steps 12-14. Place cardboard under the washer/dryer and carefully move washer/dryer to avoid damaging floor covering.

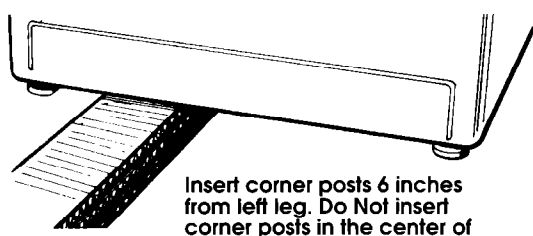


11. Attach bottom hose (inlet marked "H") to hot water faucet. Attach top hose (inlet marked "C") to cold water faucet. Tighten the coupling to the faucet by hand. Use pliers to make final two-thirds turn.

Move washer/dryer to its permanent location. Remove cardboard from under washer/dryer.

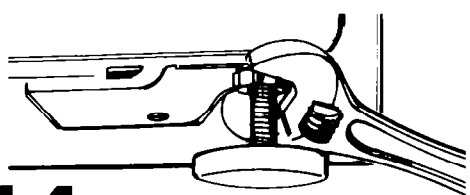


12. Tilt washer/dryer forward raising back legs 1 inch off of floor to adjust rear, self-leveling legs. Gently lower washer/dryer to floor. Check levelness of the washer/dryer by placing a carpenter's level on top of the washer, first side to side; then front to back. If washer/dryer is level, go to Step 14.



Insert corner posts 6 inches from left leg. Do Not insert corner posts in the center of the washer/dryer.

13. If it is not level, carefully tilt washer/dryer backward until front of washer/dryer is 3-4 inches off of floor. Insert 4 corner posts under washer/dryer about 6 inches from the left leg. Loosen nuts on each front leg. Adjust the front legs up or down. Tilt washer/dryer backward and remove corner posts. Gently lower the washer/dryer to the floor. Repeat Step 12. If it is still not level, repeat Step 13 and then Step 12 until washer/dryer is level.



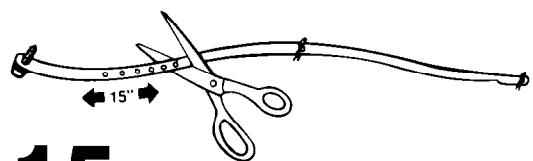
14. When washer/dryer is level, use wrench to turn nuts on front legs up tightly against washer/dryer base. **If nuts are not tight against washer/dryer base, the washer/dryer may vibrate.**

CAUTION

Property Damage

Secure the drain hose to the tub or standpipe with the shipping strap removed from the back of the washer.

Failure to properly secure drain hose could result in water damage.



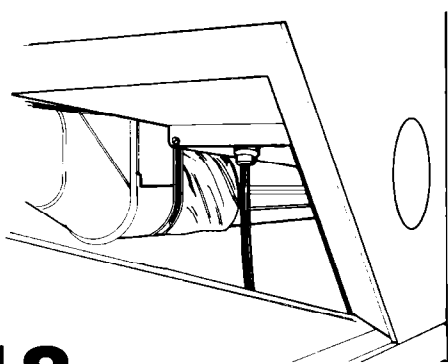
15. Measure and mark a point approximately 15 inches from the plug end of the shipping strap. Cut the shipping strap at this point.

Check that hose is not twisted or kinked and is securely in place.

Panel D

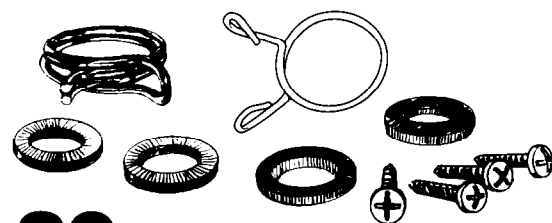
16. If you did not remove the access panel in Step 8, remove three Phillips-head screws and one bumper, located at the top of the access panel. Set the panel, screws and bumper aside.

17. Determine the length of exhaust duct that is needed to connect the dryer to the exhaust hood. (See "Exhaust requirements," Panel B.) Connect exhaust duct to the washer/dryer and then to the exhaust hood.

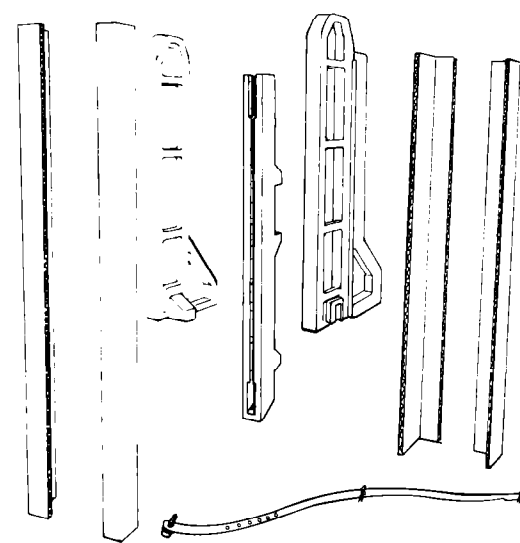


18. Use duct tape to seal all joints in exhaust duct. Use caulking compound to seal exterior wall opening around exhaust duct hood.

19. CHECK ELECTRICAL REQUIREMENTS. BE SURE YOU HAVE CORRECT ELECTRICAL SUPPLY AND RECOMMENDED GROUNDING METHOD. Check the Installation Instructions to see that you have completed each step. Complete any missed steps before you continue.

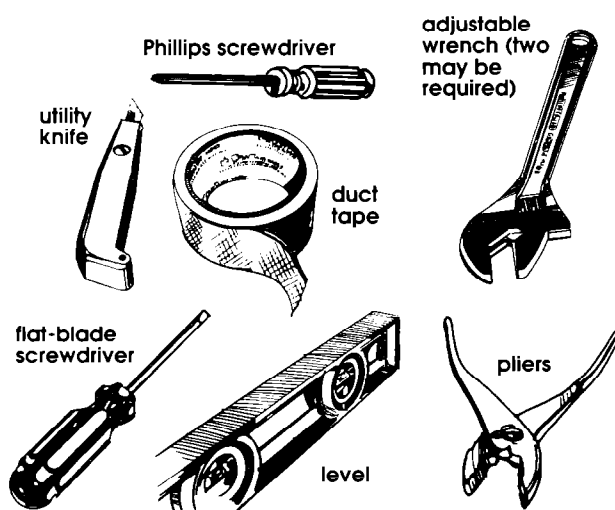


20. Check that all parts are now installed. (See parts list, Panel C.) If there is an extra part, go back through steps to see which step was skipped.



21. Check that you removed all the shipping pieces including the shipping strap with its 2 cotterpins and plug. Dispose of all materials in proper manner.

If you do not remove the shipping strap, your washer/dryer may "walk" away from its location.



22. Check that you have all of your tools.

23. Turn on water faucets and check for leaks. Tighten couplings if there is leaking. Do Not overtighten; this could cause damage to faucet.

24. Replace access panel. Be sure to tighten the three Phillips-head screws at the top of the access panel. Replace the bumper under the center screw.

25. Read the Use and Care Guide to fully understand your new washer/dryer. Open dryer door. Check to be sure lint screen is in its proper position. Wipe out drum.

26. Plug power supply cord into grounded outlet. Now start the washer and allow it to complete the regular cycle.

27. Start dryer and allow it to complete a full heat cycle to make sure it is working properly.

You have successfully installed your new, Whirlpool washer/dryer. To get the most efficient use from your new washer/dryer, read your Whirlpool Use and Care Guide.

Congratulations!

Keep Installation Instructions nearby where you can refer to them. They'll make reinstalling your Whirlpool washer/dryer in another home as easy as the first installation.

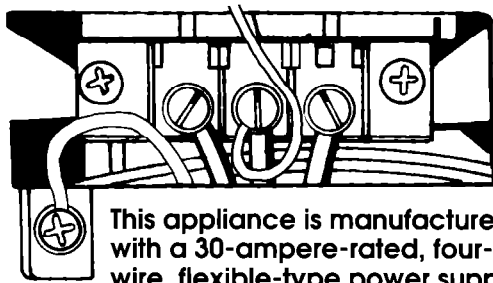
Alternate electrical connection

⚠ WARNING

Electrical Shock Hazard

- Electrical ground is required on this appliance.
- If cold water pipe is interrupted by plastic, non-metallic gaskets or other insulating materials, Do Not use for grounding.
- Do Not ground to a gas pipe.
- Do Not modify the power supply cord plug. If it will not fit the outlet, have a proper outlet installed by a qualified electrician.
- Use a new 30-ampere power supply cord kit. Do Not reuse an old power supply cord. Possible electrical shock or fire hazard could occur if old power supply cord is used.
- Do Not have a fuse in the neutral or grounding circuit. A fuse in the neutral or grounding circuit could result in an electrical shock.
- Do Not use an extension cord with this appliance.
- Check with a qualified electrician as to whether the appliance is properly grounded.

Failure to follow these instructions could result in serious injury or death.



This appliance is manufactured with a 30-ampere-rated, four-wire, flexible-type power supply cord with the green grounding wire connected to the grounding connector.

To convert to a three-wire electrical system

When local codes...

A. Permit use of a flexible-type power supply cord (pigtail) plugged into a matching, 30-ampere receptacle (See "Electrical requirements," Panels A and B) and

Permit connection of the internal grounding conductor to the neutral wire of the power supply cord:

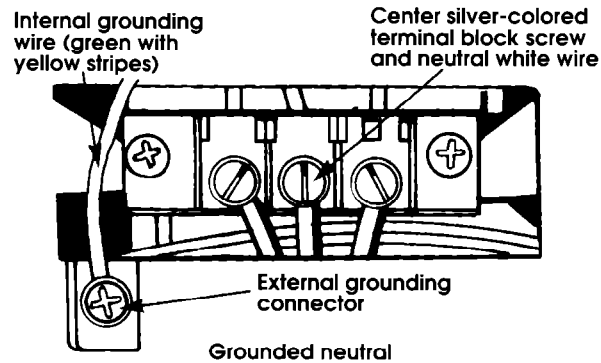


Figure 5

1. Disconnect the power supply.
2. Remove the power supply cord equipped with the washer/dryer as instructed. See "To remove the power supply cord," Panel F.
3. Install a three-wire power supply cord (see "Electrical requirements," Panels A and B) through the 3/4", U.L.-listed strain relief.
4. Move the internal grounding wire (green with yellow stripes) from the center, silver-colored terminal block screw to the external grounding connector.
5. Connect the neutral wire (white) of the power supply cord to the center, silver-colored, terminal screw of the terminal block. Connect the other wires to the outer terminals. Tighten each screw firmly. See Figure 5. For plain-end wires, see "Direct wiring connection," Panel F.
6. Replace the terminal block cover.

When local codes...

B. Permit the use of a flexible-type power supply cord (pigtail) but

Do Not Permit connecting cabinet-grounding conductor to the neutral wire of the power supply cord:

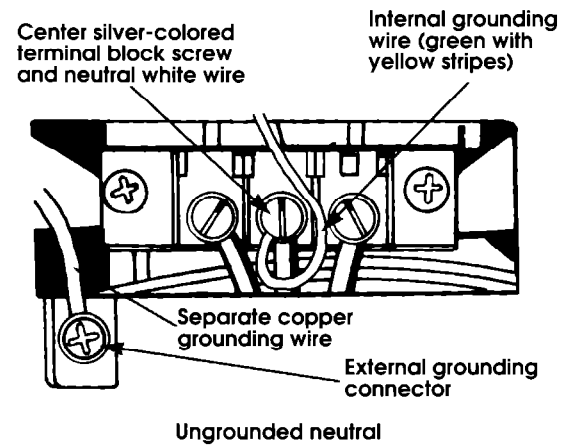


Figure 6

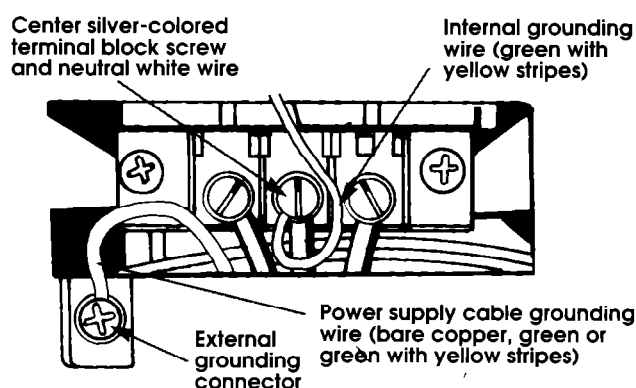
Connect separate, copper grounding wire (No. 10 minimum) from external grounding connector to approved ground.

1. Disconnect the power supply.
2. Remove the power supply cord equipped with the washer/dryer as instructed. See "To remove the power supply cord," Panel F.
3. Install a three-wire power supply cord (See "Electrical requirements," Panels A and B) through the 3/4", U.L.-listed strain relief.
4. Connect the neutral wire (white) of the power supply cord and the internal grounding wire (green with yellow stripes) to the center, silver-colored, terminal screw of the terminal block. Connect the other wires to the outer terminals. Tighten screws firmly. (See Figure 6.) For plain-end wires, see "Direct wiring connection," Panel F.
5. Connect a separate copper grounding wire (No. 10 minimum). See "To connect a separate grounding wire," Panel F, for detailed instructions.
6. Replace the terminal block cover.

When local codes...

Do Not Permit the use of the flexible four-wire power supply cord that comes equipped with the washer/dryer and Permit four-wire copper power supply cable and

Permit connecting cabinet-grounding conductor to the neutral wire of the power supply cable:



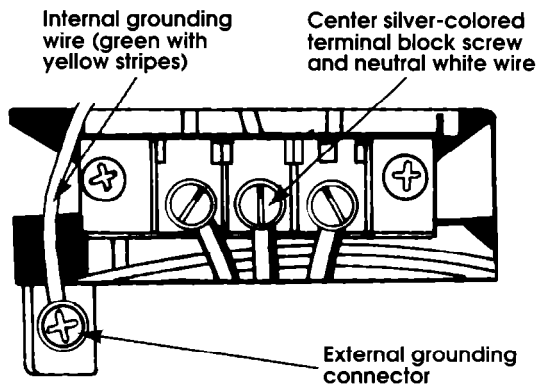
Four-wire ungrounded neutral

Figure 4

1. Disconnect the power supply.
2. Remove the power cord equipped with the washer/dryer as instructed. See "To remove power supply cord," Panel F.
3. Install copper four-wire power supply cable through the 3/4", U.L.-listed strain relief. (See "Electrical requirements," Panels A and B.)
4. Connect the grounding wire (bare copper, green or green with yellow stripes) of the copper, four-wire power supply cable to the external grounding connector.
5. Connect the neutral wire (white) of the power supply cable and internal grounding wire (green with yellow stripes) to the center, silver-colored, terminal screw of the terminal block. Connect the other wires to the outer terminals. Tighten each screw firmly. See Figure 4. For plain-end wires, see "Direct wiring connection," Panel F.
6. Replace the terminal block cover.

When local codes...

C Do Not Permit the use of a flexible, three-wire, power supply cord and
 Permit three-wire, copper power supply cable and
 Permit connecting the cabinet-grounding conductor to the neutral wire of the power supply cable:

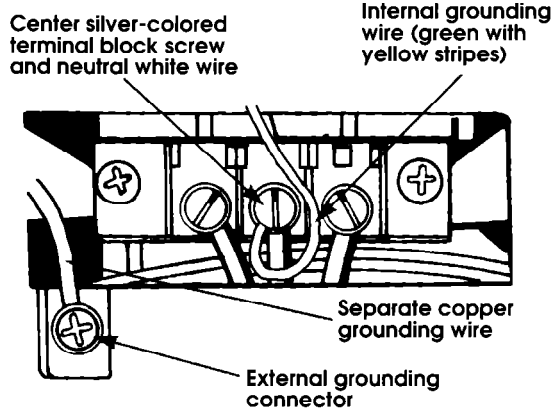


Grounded neutral
Figure 7

1. Disconnect the power supply cord.
2. Remove the power supply cord equipped with the washer/dryer as instructed. See "To remove the power supply cord," Panel F.
3. Install copper power supply cable (See "Electrical requirements," Panels A and B) through the 3/4", U.L.-listed strain relief.
4. Move the internal grounding wire (green with yellow stripes) from the center, silver-colored, terminal block screw to the external grounding connector.
5. Connect the neutral wire (white) of the flexible, armored or non-metallic sheathed, copper, power supply cable to the center, silver-colored, terminal screw of the terminal block. Connect the other wires to the outer terminals. Tighten the screws firmly. See Figure 7. For plain-end wires, see "Direct wiring connection," Panel F.
6. Replace the terminal block cover.

When local codes...

D Do Not Permit the use of a flexible, three-wire, power supply cord and
 Permit three-wire, copper power supply cable but
 Do Not Permit connecting the cabinet-grounding conductor to the neutral wire of the power supply cable:



Ungrounded neutral
Figure 8

- Connect separate, copper grounding wire (No.-10 minimum) from external grounding connector to approved ground.
1. Disconnect the power supply.
 2. Remove the power supply cord equipped with the washer/dryer as instructed. See "To remove the power supply cord," Panel F.
 3. Install copper power supply cable (See "Electrical requirements," Panels A and B) through the 3/4", U.L.-listed strain relief.
 4. Connect the neutral wire (white) of the flexible, armored or non-metallic sheathed, copper power supply cable and the internal grounding wire (green with yellow stripes) to the center, silver-colored terminal screw of the terminal block. Connect the other wires to the outer terminals. Tighten screws firmly. (See Figure 8.) For plain-end wires, see "Direct wiring connection," Panel F.
 5. Connect a separate copper grounding wire (No.-10 minimum). See "To connect a separate grounding wire," Panel F, for detailed instructions.
 6. Replace the terminal block cover.

To connect a separate grounding wire —

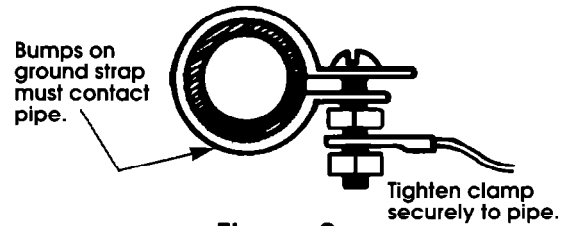


Figure 9

Use grounding wire and clamp assembly (Part No. 685463) or No. 10-gauge minimum copper grounding wire.

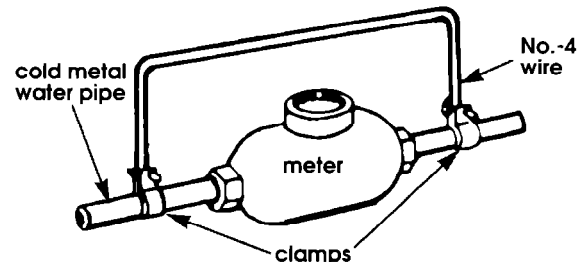


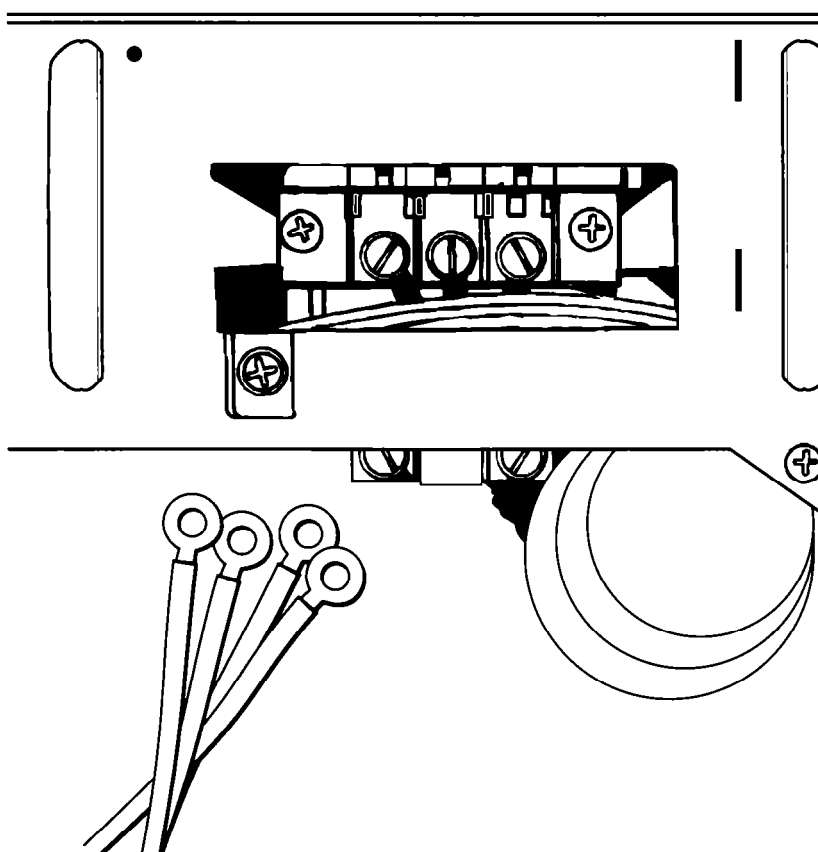
Figure 10

Connect grounding wire to a grounded cold-water pipe* with the clamp and then to the external grounding connector on the washer/dryer. (See Figure 4.) **Do Not ground to a gas supply pipe or hot-water pipe.** Do Not connect the power supply cord to electric power supply until the appliance is permanently grounded.

* Grounded cold-water pipe must have metal continuity to electrical ground and not be interrupted by plastic, rubber or other electrical insulating connectors such as hoses, fittings, washers or gaskets (including water meter or pump). Any electrical insulating connector should be jumped as shown in Figure 10 with a length of No.-4 wire securely clamped to bare metal at both ends.

To remove the power supply cord —

1. Disconnect the power supply.
2. Remove the terminal block cover from the dryer.
3. Disconnect the power supply cord from the terminal block.
4. Disconnect the green, grounding wire of the power supply cord from the external grounding connector.
5. Loosen the strain relief screws.
5. Pull downward on the power supply cord until it is removed from the dryer. See Figure 11.



Direct wiring connection

1. Disconnect the power supply.
2. Strip the outer covering back 3 inches from the end, exposing the three wires.

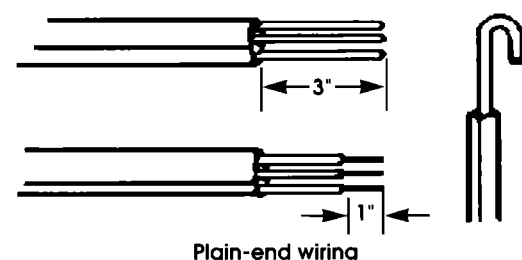


Figure 12

3. Strip the insulation back 1 inch from the end of each wire. Form the bare wires into a "U"-shaped hook.
4. Loosen, Do Not remove, screws from terminal block. Attach wires according to instructions for type of connection needed.
5. Slide the end of each wire under the screw head with the open side of the screw hook on the right. Squeeze the wire together to form a loop.
6. Tighten each screw firmly.
7. Tighten strain relief screws.

Recessed and closet installation instructions

! WARNING

Fire Hazard

- It is recommended that the dryer be exhausted outside
- If washer/dryer is installed in a closet, the dryer MUST be exhausted outside.

Failure to do so may cause a fire.

This washer/dryer may be installed in a recessed area or closet.

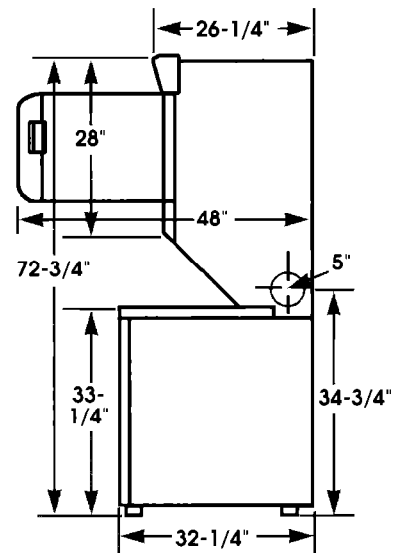
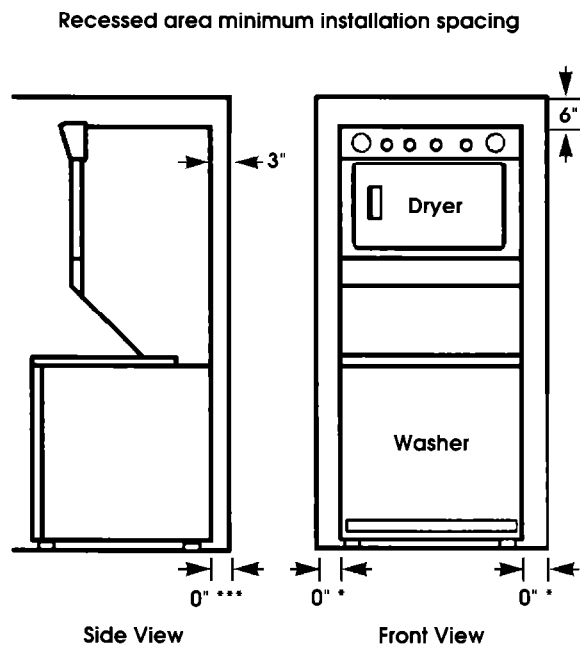
The installation spacing is in inches and is minimum allowable. Additional spacing should be considered for ease of installation, servicing and compliance with local codes and ordinances.

If closet door is installed, the minimum unobstructed air openings in top and bottom are required. Louvered doors with equivalent air openings are acceptable. Closet installation must be exhausted.

Other installations must use the minimum dimensions indicated.

TO PREVENT LARGE AMOUNTS OF LINT AND MOISTURE FROM ACCUMULATING, TO MAINTAIN DRYING EFFICIENCY, THIS APPLIANCE SHOULD BE EXHAUSTED OUTDOORS.

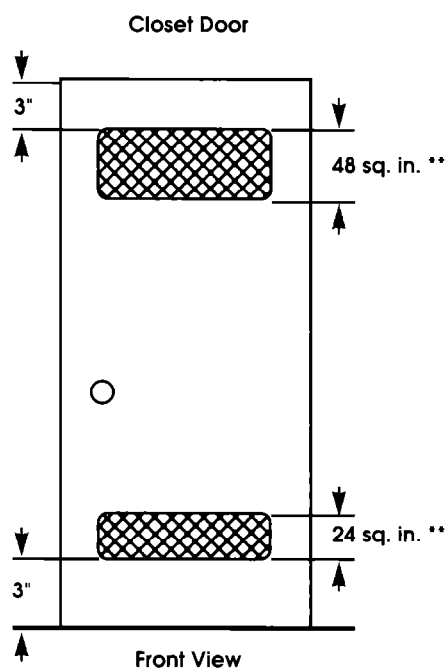
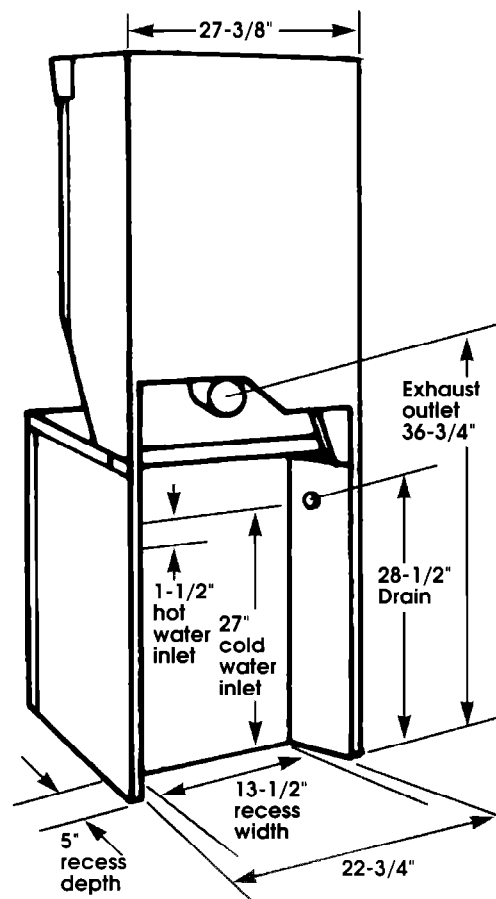
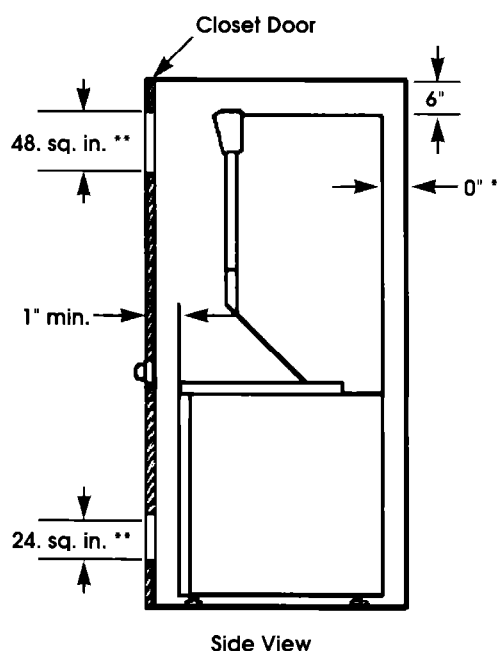
Product dimensions



Recessed, non-exhausted installation must use only the rear exhaust position and Exhaust Deflector Part No. 694609.

Note: If recessed installation is exhausted to the side or rear, 6 inches must be available above the washer/dryer but all other spacing can be 0 inches.

Closet installation must be exhausted outdoors.



- * Additional clearances for wall, door and floor moldings may be required or if external exhaust elbow is used.
- ** Opening is minimum for closet door. Louvered door with equivalent air openings is acceptable.
- *** Additional space may be needed for exhaust elbow.

If washer/dryer does not operate properly...

Check the following to be sure that:

1. Electric supply is connected.
2. House fuse or circuit breaker is intact and tight.
3. Washer lid or dryer door is closed.
4. Controls are set in a running or "ON" position.
5. Dryer start button has been firmly pushed.
6. Make sure shipping strap has been completely removed and was used to secure the drain hose to the tub or standpipe.

When moving the washer/dryer...

- Disconnect the power supply cord, then tape securely to the washer/dryer.
- Tape the drum to the front panel. Tape the lint screen in place. Tape the dryer door closed.
- Wedge a blanket between the tub ring and cabinet top to restrict tub movement.

If you need assistance...

The Whirlpool Consumer Assistance Center will answer any questions about operating or maintaining your washer/dryer not covered in the Installation Instructions. The Whirlpool Consumer Assistance Center is open 24 hours a day, 7 days a week. Just dial 1-800-253-1301 — the call is free.

When you call, you will need the washer/dryer model number and serial number. Both numbers can be found on the serial/rating plate located in the door well behind the dryer door and on front of opening.

If you need service...

In the event that your Whirlpool appliance should need service, call the dealer from whom you purchased the appliance or a Whirlpool-authorized service company. A Whirlpool-authorized service company is listed in the Yellow Pages of your telephone directory under "Appliances — Household — Major — Service or Repair." You can also obtain the service company's name and telephone number by dialing, free, within the continental United States, the Whirlpool Consumer Assistance Center telephone number, 1-800-253-1301. A special operator will tell you the name and number of your nearest Whirlpool-authorized service company.

Maintain the quality built into your Whirlpool appliance — call a Whirlpool-authorized service company.



Free Manuals Download Website

<http://myh66.com>

<http://usermanuals.us>

<http://www.somanuals.com>

<http://www.4manuals.cc>

<http://www.manual-lib.com>

<http://www.404manual.com>

<http://www.luxmanual.com>

<http://aubethermostatmanual.com>

Golf course search by state

<http://golfingnear.com>

Email search by domain

<http://emailbydomain.com>

Auto manuals search

<http://auto.somanuals.com>

TV manuals search

<http://tv.somanuals.com>