



Gas Large Capacity Thin Twin Washer•Dryer - 120 Volt Installation Instructions

**IMPORTANT:
Read and save
these instructions.**

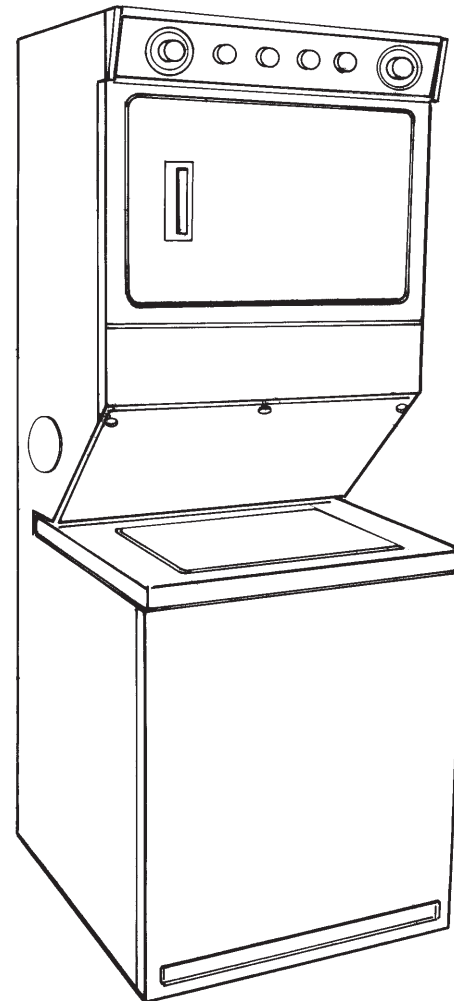
IMPORTANT:

Installer: Leave Installation Instructions with the homeowner.

Homeowner: Keep Installation Instructions for future reference.

Save Installation Instructions for local electrical inspector's use.

www.whirlpool.com



Part No. 3395326 Rev. F

Gas Large Capacity Thin Twin

Before you start...

Your safety and the safety of others are very important.

We have provided many important safety messages in this manual and on your appliance. Always read and obey all safety messages.



This is the safety alert symbol.

This symbol alerts you to potential hazards that can kill or hurt you and others.

All safety messages will follow the safety alert symbol and either the word "DANGER" or "WARNING". These words mean:

! DANGER

You can be killed or seriously injured if you don't immediately follow instructions.

! WARNING

You can be killed or seriously injured if you don't follow instructions.

All safety messages will tell you what the potential hazard is, tell you how to reduce the chance of injury, and tell you what can happen if the instructions are not followed.

Check location where washer/dryer will be installed. Proper installation is your responsibility. The washer/dryer must not be installed or stored in an area where it will be exposed to water and/or weather. Make sure you have everything necessary for correct installation.

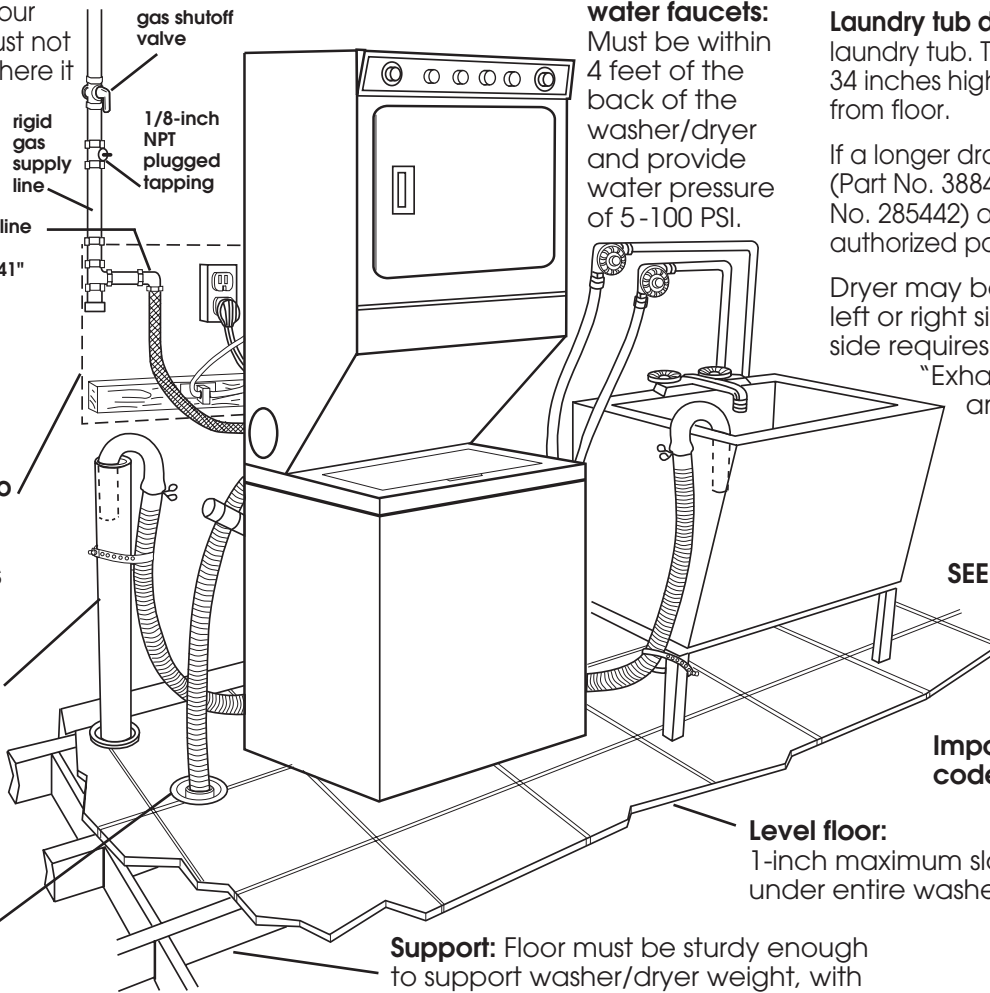
Grounded electrical outlet is required. See "Electrical requirements."

1/8-inch NPT plugged tapping is required. (See Panel B, Step L.)

This appliance must be attached to a wall. The cable bracket must be secured to a wall stud within a 27-inch-wide area that is 28 inches minimum to 41 inches maximum from floor. (See Panel F.)

Standpipe drain system: Needs a two-inch diameter standpipe with minimum carry-away capacity of 17 gallons per minute. Top of standpipe must be at least 34 inches high and no higher than 72 inches from floor.

Floor drain system requires a siphon break, Part No. 285320, available from a Whirlpool-authorized parts distributor.



Hot and cold water faucets: Must be within 4 feet of the back of the washer/dryer and provide water pressure of 5-100 PSI.

Do Not store or operate washer/dryer below 32°F (some water may remain in washer). Proper operation of dryer cycles requires temperatures above 45°F. See Use & Care Guide for "Winterizing" information.

Check code requirements: Some codes limit or do not permit installation of clothes dryers in garages, closets, mobile homes and sleeping quarters. (Contact your local building inspector.)

Check utilities: Proper gas, water and electric supply connections **must** be available.

Water heater: Set to deliver 140°F water to the washer.

Laundry tub drain system: Needs a 20-gallon laundry tub. Top of tub must be at least 34 inches high and no higher than 72 inches from floor.

If a longer drain hose is needed, drain hose (Part No. 388423) and hose extension kit (Part No. 285442) are available from Whirlpool-authorized parts distributors.

Dryer may be exhausted from the rear or left or right side. Exhausting through the side requires Part No. 3391335. (See "Exhaust requirements," Panels B and C.)

Four-inch metal exhaust vent is required.

SEE RECESSED AREA INSTRUCTIONS ON PANEL G.

Important: Observe all governing codes and ordinances.

Level floor: 1-inch maximum slope under entire washer/dryer.

Support: Floor must be sturdy enough to support washer/dryer weight, with water and clothes, of 500 pounds.

! WARNING



Explosion Hazard

Keep flammable materials and vapors, such as gasoline, away from dryer. Failure to do so can result in death, explosion, or fire.

Location: Should be large enough to fully open dryer door to 90°. (See Panel G for "Recessed and closet installation instructions" and "Product dimensions.")

WARNING: For your safety the information in this manual must be followed to minimize the risk of fire or explosion or to prevent property damage, personal injury or death.

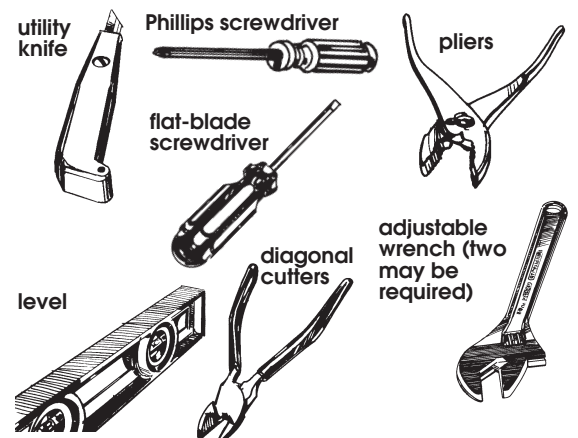
— **Do not store or use gasoline or other flammable vapors and liquids in the vicinity of this or any other appliance.**

— **WHAT TO DO IF YOU SMELL GAS**

- **Do not try to light any appliance.**
- **Do not touch any electrical switch; do not use any phone in your building.**
- **Clear the room, building or area of all occupants.**
- **Immediately call your gas supplier from a neighbor's phone. Follow the gas supplier's instructions.**
- **If you cannot reach your gas supplier, call the fire department.**

— **Installation and service must be performed by a qualified installer, service agency or the gas supplier.**

Tools and materials needed for installation:



A 1" x 4" x 24" board and fasteners are also required (but are not included with this product).

Gas supply requirements

OBSERVE ALL GOVERNING CODES AND ORDINANCES

! WARNING



Explosion Hazard

Use a new AGA or CSA approved gas supply line.

Install a shut-off valve.

Securely tighten all gas connections.

If connected to LP, have a qualified person make sure gas pressure does not exceed 13" water column.

Examples of a qualified person include licensed heating personnel, authorized gas company personnel, and authorized service personnel.

Failure to do so can result in death, explosion, or fire.

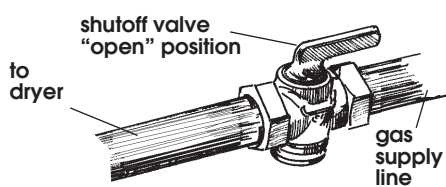
A. This installation must conform with American National Standard, National Fuel Gas Code ANSI Z223.1 — latest edition,* and all local codes and ordinances.

B. The design of this dryer has been certified by CSA International for use at altitudes up to 10,000 feet above sea level at the B.T.U. rating indicated on the model/serial plate. Burner input adjustments are not required when the dryer is operated up to this elevation. When installed above 10,000 feet, a four percent (4%) reduction of the burner B.T.U. rating shown on the model/serial plate is required for each 1,000 foot increase in elevation. For assistance when converting to other gas types and/or installing above 10,000 feet elevation, contact your local service company.

C. Check that this dryer is equipped with the correct burner for the particular type of gas in the home. Burner information will be found on the rating plate in the door well of the appliance. If this information does not agree with the type of gas available, see your dealer.

D. This dryer is equipped for use with NATURAL GAS. It is certified by CSA International for manufactured, mixed and L.P. (propane or butane) gases with appropriate conversion. No attempt shall be made to convert the appliance from the gas specified on the model/serial rating plate for use with a different gas without consulting the service gas supplier or a Whirlpool-designated service company. **Conversion must be done by a qualified service technician. Gas conversion kit part numbers are listed on the burner bracket behind the access panel. (See Panel E.)**

E. Provide a **rigid gas supply** line to the dryer location. When rigid pipe is used, it should be 1/2-inch IPS. Pipe-joint compounds resistant to the action of L.P. gas must be used.



F. The supply line shall be equipped with a shutoff valve. This valve should be located in the same room as the washer/dryer and should be in a location that allows ease of opening and closing. Do Not block access to the shutoff valve.

G. If the washer/dryer is installed in a confined area such as a bedroom, bathroom or closet, it must be exhausted to the outside and provision made for enough combustion air and ventilation air. (Check governing codes and ordinances. Also refer to the section in this instruction covering Recessed and closet installations.)

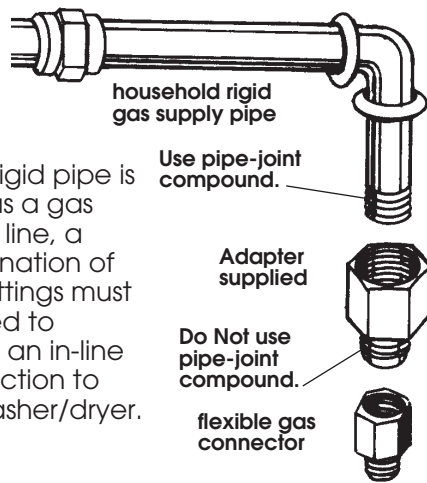
H. This washer/dryer is equipped with its own permanent, flexible gas connector, design-certified by CSA International, for connecting the appliance to the gas supply line.

Copies of the standards listed may be obtained from:

* **CSA International**
8501 East Pleasant Valley Road
Cleveland, Ohio 44131-5575

** **National Fire Protection Association**
Batterymarch Park
Quincy, Massachusetts 02269

Panel B



I. If rigid pipe is used as a gas supply line, a combination of pipe fittings must be used to obtain an in-line connection to the washer/dryer.

J. Make sure the back and sides of the cabinet are free of obstructions to permit adequate clearance of air openings for combustion air. (See "Recessed and closet installation instructions" for minimum spacing requirements, Panel G.)

K. For ease of installation, operating and servicing (if ever needed), adequate space should be provided around the washer/dryer.

L. An 1/8-inch NPT plugged tapping, accessible for test gauge connection, must be installed immediately upstream of the gas supply connector to the dryer.

The dryer and its individual shutoff valve must be disconnected from the gas supply piping system during any pressure testing of that system at test pressures in excess of 1/2 psig (3.45 kPa). The dryer must be isolated from the gas supply piping system by closing its individual manual shutoff valve during any pressure testing of the gas supply piping system at test pressures equal to or less than 1/2 psig (3.45 kPa).

Electrical requirements

⚠ WARNING

Electrical Shock Hazard

Plug into a grounded 3-prong outlet.

Do not remove ground prong.

Do not use an adapter.

Do not use an extension cord.

Failure to follow these instructions can result in death, fire, or electrical shock.

Important: Observe all governing codes and ordinances.

If codes permit and a separate ground wire is used, it is recommended that a qualified electrician determine that the ground path is adequate.

A three-wire, single-phase, 120-volt, 60-Hz, AC-only, 15- or 20-ampere, fused, electrical supply is required. A time-delay fuse or circuit breaker is recommended. If your home has a circuit wired and fused for 20 amperes, this is preferred. If you are installing a new circuit, one wired and fused for 20 amperes is recommended. It is also recommended that a separate circuit serving only this appliance be provided.

Recommended ground method

For your personal safety, this appliance must be grounded. This washer/dryer is equipped with a power supply cord having a 3-prong ground plug. To minimize possible shock hazard, the cord must be plugged into a mating, 3-prong, ground-type outlet, grounded in accordance with the National Electrical Code, ANSI/NFPA 70 — latest edition,** and all local codes and ordinances. (See Figure 1.) If a mating outlet is not available, it is the personal responsibility and obligation of the customer to have a properly grounded, 3-prong outlet installed by a qualified electrician.

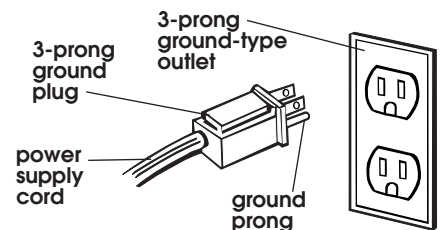


Figure 1

Exhaust requirements

⚠ WARNING

Fire Hazard

Use a heavy metal vent.

Do not use a plastic vent.

Do not use a metal foil vent.

Failure to follow these instructions can result in death or fire.

Important: Observe all governing codes and ordinances.

Exhaust your dryer to the outside.

Moisture and lint indoors may cause:

- Lint to gather around the dryer where it can be fuel for a fire.
- Moisture damage to woodwork, furniture, paint, wallpaper, carpet, etc.
- Housecleaning problems and health problems.

If the washer/dryer is installed in a confined area such as a bedroom, bathroom or closet, it must be exhausted to the outside and provision must be made for enough air for ventilation. Check governing codes and ordinances. Also refer to the "Recessed and closet installation instructions" on Panel G.

Dura Safe™ vent products are recommended and are available from your dealer. See Panel G.

Four-inch diameter vent is required.

Use a heavy metal vent. Do not use plastic or metal foil vent.

- Do Not use non-metal flexible vent, or exhaust hoods with magnetic latches.
- Do Not exhaust dryer into a chimney, furnace, cold air vent, attic or crawl space, or any other vent used for venting.
- Do Not install flexible vent in enclosed walls, ceilings or floors.

Rigid metal vent is recommended to prevent crushing and kinking.

Flexible metal vent must be fully extended and supported when the dryer is in its final position.

Remove excess flexible vent to avoid sagging and kinking that may result in reduced air flow.

An exhaust hood should cap the exhaust vent to prevent rodents and insects from entering the home.

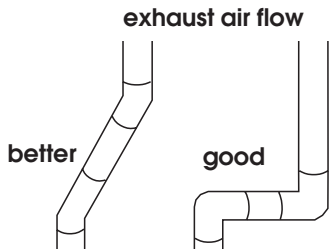
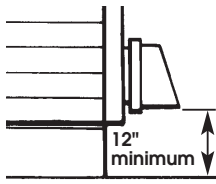
Exhaust outlet hood must be at least 12 inches from the ground or any object that maybe in the path of the exhaust (such as flowers, rocks or bushes, etc.).

If using an existing exhaust system, clean lint from entire length of system and make sure exhaust hood is not plugged with lint.

Replace any plastic or metal foil vent with rigid metal or flexible metal vent.

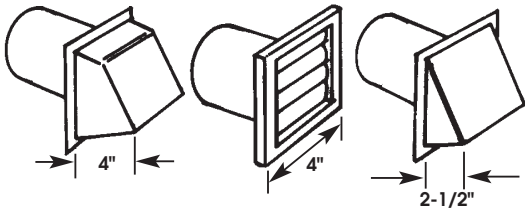
Use clamps to seal all joints. Do not use duct tape, screws or other fastening devices that extend into the interior of the vent to secure vent.

Service check: Back pressure in any exhaust system used must not exceed 0.6 inches in water column measured with an incline manometer at the point that exhaust vent connects to dryer.



Plan installation to use the fewest number of elbows and turns.

Maximum length of the exhaust system depends upon the type of vent used, number of elbows and the type of exhaust hood. The maximum length for both rigid and flexible vent is shown in the chart.



Rear, Side or Bottom Exhaust		
Number of 90° Turns		
0	42 FT.	MAXIMUM LENGTH OF 4" DIA. RIGID METAL VENT
1	34 FT.	
2	26 FT.	
0	26 FT.	MAXIMUM LENGTH OF 4" DIA. FLEXIBLE METAL VENT
1	21 FT.	
2	16 FT.	

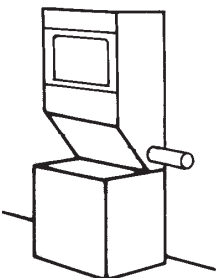
The **exhaust vent** can be routed up, down, left, right or straight out the back of the washer/dryer. Space requirements are provided on Panel G of the Installation Instructions and on the rear panel of the washer/dryer.



Four-inch outlet hood is preferred.

However, a 2-1/2-inch outlet exhaust hood may be used. A 2-1/2-inch outlet creates greater back pressure than other hood types.

Exhausting the dryer through the side of the washer/dryer requires the use of Side Exhaust Kit, Part No. 3391335. Follow kit installation instructions for proper exhaust installation.



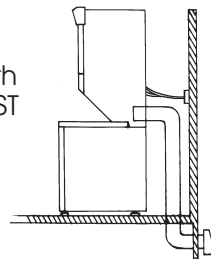
For exhaust systems not covered by the exhaust length chart, see Whirlpool Service Manual, *Exhausting Whirlpool Dryers*, Part No. 603197, available from your Whirlpool parts distributor.

A closet installation must be exhausted outside. See "Recessed and closet installation instructions" on Panel G for adequate unobstructed air opening requirements.

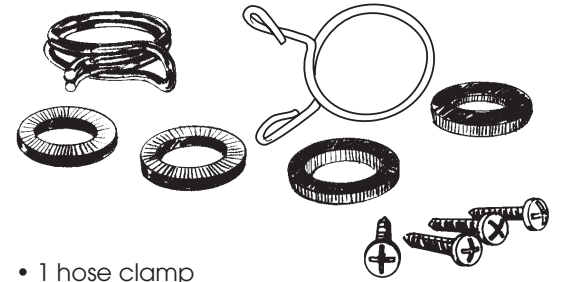
Mobile home installation

This appliance is suitable for mobile home installations. The installation of the washer/dryer must conform to the **Manufactured Home Construction and Safety, Title 24 CFR, Part 3280 (formerly the Federal Standard for Mobile Homes Construction and Safety, Title 24, HUD Part 280, latest edition).**

For all installations, this appliance **MUST** be fastened to the wall with cable bracket and **MUST** be exhausted to the outside. Exhaust system hardware is available through your Whirlpool dealer.

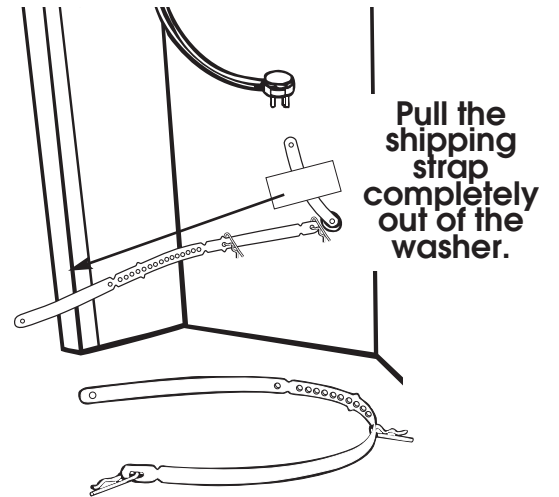


Mobile home exhaust requirements: The washer/dryer must have an outside exhaust. If the dryer is exhausted through the floor and the area under the mobile home is enclosed, the exhaust system **must** terminate outside the enclosed area. Extension beyond the enclosure will prevent lint and moisture buildup under the mobile home.



- 1 hose clamp
- 4 flat, water-hose washers
- 4 cable-bracket screws
- 1 small clamp

2. Remove parts from package. Check that all parts were included.



Pull the shipping strap completely out of the washer.

Now start...

With washer/dryer in laundry area.

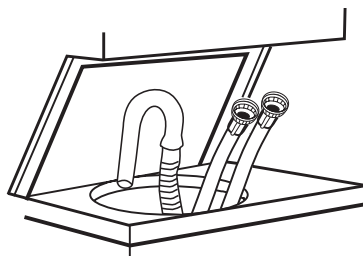
⚠ WARNING

Excessive Weight Hazard

Use two or more people to move and install washer/dryer.

Failure to do so can result in back or other injury.

Truck only from rear to prevent product damage.



1. Open washer lid. Take hoses and parts packages out of basket. Close lid.

3. Pull to completely remove the shipping strap with 2 catterpins from the inside of the washer/dryer.

Save the shipping strap for use in Step 18.

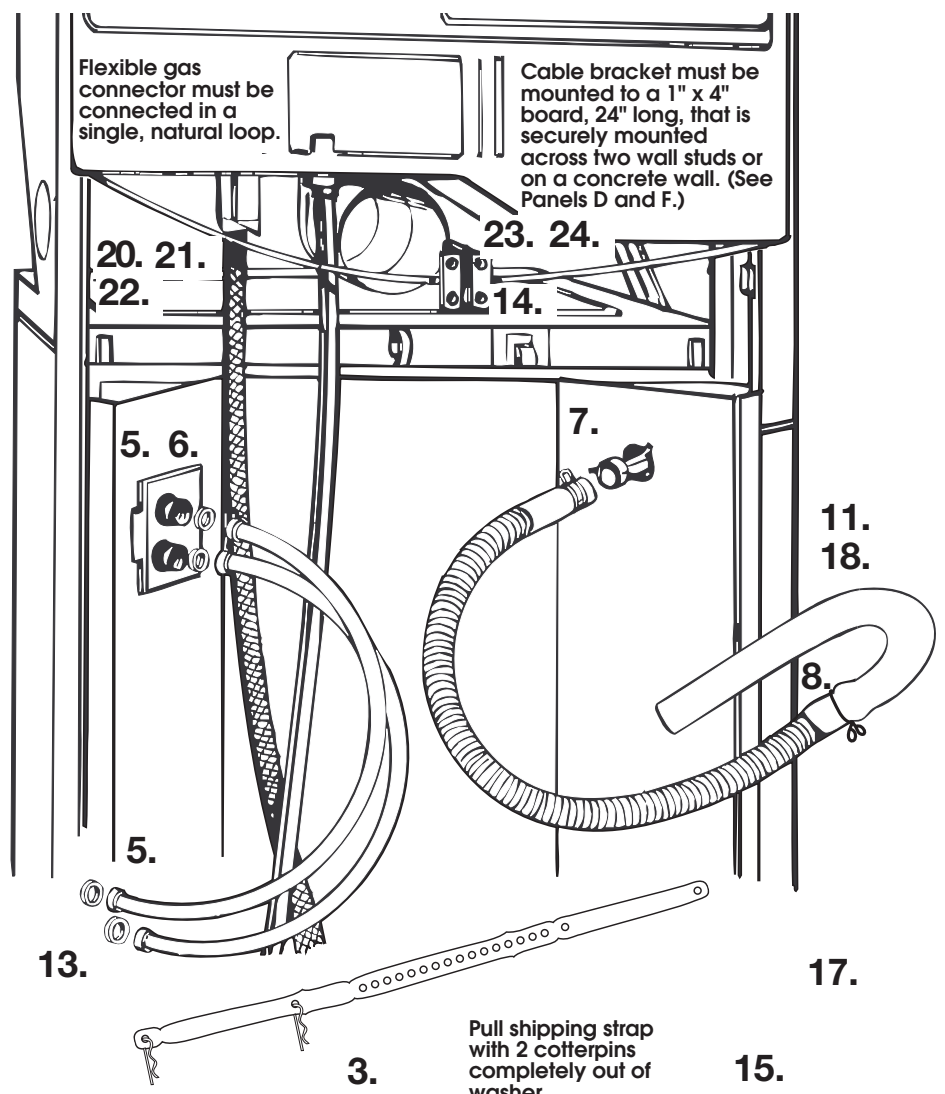
4. Tilt washer/dryer forward. Check that rear leveling legs move up and down freely so that washer/dryer can be properly leveled in Step 15.

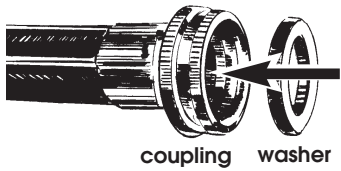
Use new hose and washers that came with your washer/dryer.

Replace inlet hoses after 5 years of use to reduce the risk of hose failure. Inspect and replace inlet hoses if bulges, kinks, cuts, wear, or leaks are found. When replacing your inlet hoses, mark the date of replacement on the label with a permanent marker.

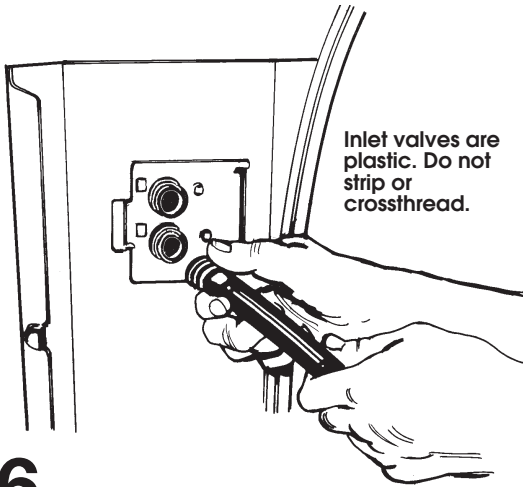
10.
19.
30.

Numbers correspond to steps.



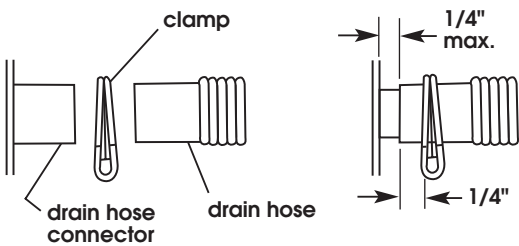


5. Insert a flat washer into each end of the inlet hoses. Check that washers are firmly seated in couplings.



6. Attach hose to bottom inlet valve opening first; then second hose to top inlet valve. Tighten couplings by hand. Then use pliers to make an additional two-thirds turn.

IMPORTANT: THIS PROCEDURE MUST BE FOLLOWED TO ASSURE PROPER INSTALLATION.

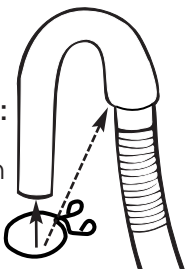


7. To prevent the drain hose from coming off or leaking, it must be installed per the following instructions:

1. Wet the inside end of the drain hose with tap water. **DO NOT USE ANY OTHER LUBRICANT.**
2. Squeeze ears of clamp with pliers to open and place clamp over the end of the drain hose.
3. While holding clamp open, work end of drain hose onto drain connector.
4. Position clamp over the drain hose area marked "clamp." Release clamp. Clamp should be 1/4 inch from end of drain hose.

8. Standpipe or laundry tub drain system:

Open clamp and slide over "hook" end of drain hose to secure the rigid and corrugated sections together.



9. In a 24-inch-wide area that will be behind the washer/dryer, securely mount the 24-inch-long, 1-inch x 4-inch board across two wall studs or on a concrete wall so that it is 28 inches minimum above the floor and no more than 41 inches above the floor. Attach the cable bracket to the 1-inch x 4-inch board with four screws. (See Panel F.)

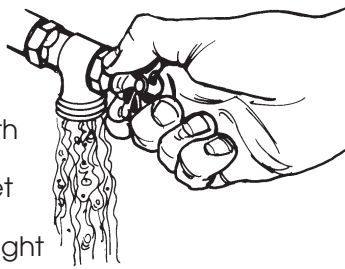
10. Slide washer/dryer onto cardboard or hardboard before moving across floor. If you have room to work from either side of the washer/dryer, move washer/dryer close to final position so you can easily complete the following steps. (Go to Step 11.)

If you are working in a closet or recessed area, move the washer/dryer into its final position and remove cardboard or hardboard from under washer/dryer. Remove the access panel by removing three Phillips-head screws and one bumper, located at the top of the access panel. Set panel, screws and bumper aside. (See Step 19.) Complete the following steps through the access area.

11. Put "hook" end of drain hose into laundry tub or standpipe. Check for proper length of drain hose.

DO NOT FORCE EXCESS LENGTH OF DRAIN HOSE DOWN THE STANDPIPE. THIS COULD CAUSE SIPHONING.

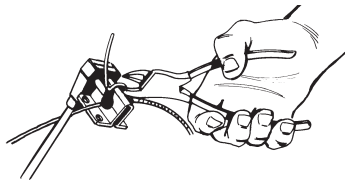
12. Before attaching water inlet hoses, run water through both faucets into a bucket. This will get rid of particles in water lines that might clog hoses. Mark which is the hot water faucet.



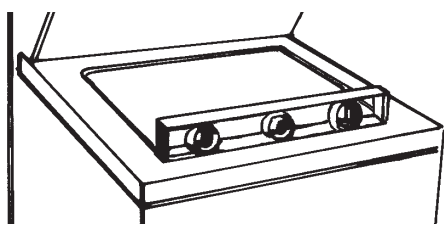
Replace inlet hoses after 5 years of use to reduce the risk of hose failure. Inspect and replace inlet hoses if bulges, kinks, cuts, wear, or leaks are found. When replacing your inlet hoses, mark the date of replacement on the label with a permanent marker.

13. Attach bottom hose (inlet marked "H") to hot water faucet. Attach top hose (inlet marked "C") to cold water faucet. Tighten the coupling to the faucet by hand. Use pliers to make final two-thirds turn.

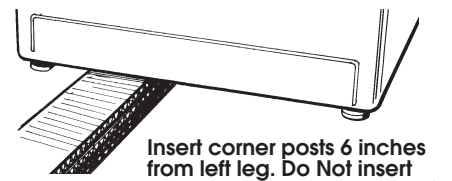
Move washer/dryer to its permanent location. Remove cardboard from under washer/dryer.



14. Cut the plastic strap securing the cable wire bracket to the power supply cord and discard. **DO NOT CUT CABLE.** Remove the power supply cord from the bracket. Attach the cable wire bracket to the wall. Check that bracket is secure. (See Panel F.)

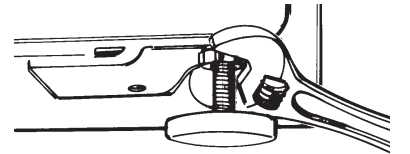


15. Tilt washer/dryer forward raising back legs 1 inch off of floor to adjust rear, self-leveling legs. **Gently lower washer/dryer to floor.** Check levelness of the washer/dryer by placing a carpenter's level on top of the washer, first side to side; then front to back. If washer/dryer not level, check that rear leveling legs move up and down freely. If washer/dryer is level, go to Step 17.

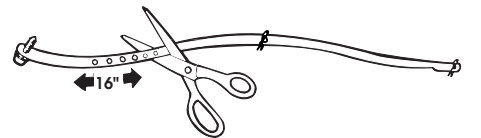


Insert corner posts 6 inches from left leg. Do Not insert corner posts in the center of the washer/dryer.

16. If it is not level, carefully tilt washer/dryer backward until front of washer/dryer is 3-4 inches off of floor. Insert 4 corner posts under washer/dryer about 6 inches from the left leg. Loosen nuts on each front leg. Adjust the front legs up or down. Tilt washer/dryer backward and remove corner posts. Gently lower the washer/dryer to the floor. Repeat Step 15. If it is still not level, repeat Step 16 and then Step 15 until washer/dryer is level.

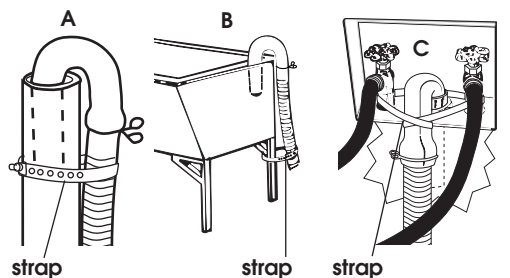


17. When washer/dryer is level, use wrench to turn nuts on front legs up tightly against washer/dryer base. **If nuts are not tight against washer/dryer base, the washer/dryer may vibrate.**



18. Measure and mark a point approximately 16 inches from the plug end of the shipping strap. Cut the shipping strap at this point.

Check that hose is not twisted or kinked and is securely in place.



Put "hook" end of drain hose in tub or standpipe. Tightly wrap the shipping strap around the drain hose and tub or standpipe or inlet hose as shown in Figures A-C. Push plug into the nearest hole in the shipping strap.

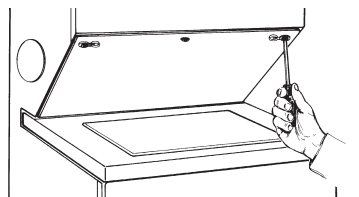
Hose must be cut exactly to length so "hook" end is held tightly over edge of standpipe.

If drain hose cannot be strapped in place, it must be cut exactly to length so the "hook" end is held tightly over the edge of the tub or standpipe.

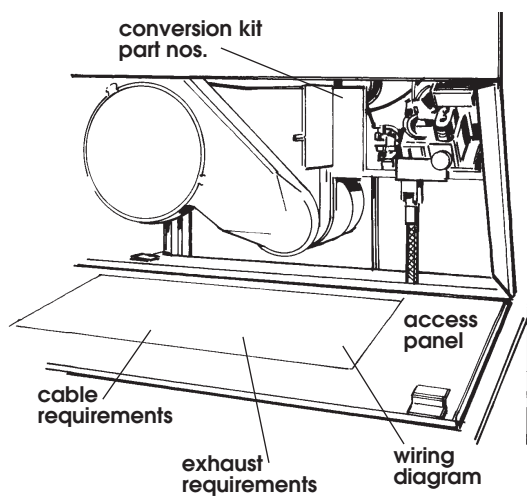
If a longer drain hose is needed, drain hose (Part No. 388423) and hose extension kit (Part No. 285442) are available from authorized parts distributors. If drain hose must be shortened, use hose kit (Part No. 285442).

Note: If washer/dryer is moved to adjust drain

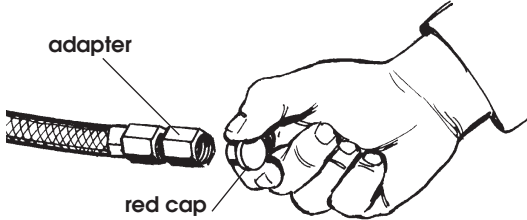
hose, the washer/dryer must be leveled again. Repeat Steps 15-17. Place cardboard under the washer/dryer and carefully move washer/dryer to avoid damaging floor covering.



19. If you did not remove the access panel in Step 10, remove three Phillips-head screws and one bumper, located at the top of the access panel. Set the panel, screws and bumper aside.



The wiring diagram is located on the back of the access panel. Read before installing or servicing.



20. Remove the red cap from the flexible gas connector. Remove the adapter from the flexible gas connector. (It may be necessary to use two adjustable wrenches.) Install the adapter on the rigid gas supply line using pipe-joint compound. Attach the flexible gas connector to the adapter. **Do Not use pipe-joint compound. (See Step I, Panel B.)**

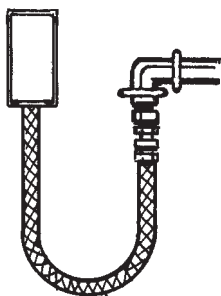
Connect dryer to rigid gas supply line so that there is a natural loop in the flexible gas connector from the dryer. The couplings should be in the same plane and positioned just far enough apart to allow the flexible gas connector from the dryer to loop without any strains on the line. The flexible gas connector must **NOT** be twisted, kinked or attached with any sharp bends. Use pipe-joint compound resistant to the action of L.P. gas for all gas connections, except at the flexible gas connector to the adapter. (See Step I, Panel B.)

A rigid gas supply line to washer/dryer location must be used.

Right method

The flexible gas connector **MUST** be connected in a single, natural loop.

Gas supply line coupling should be 38 inches min. to 41 inches max. from floor and against (parallel to) wall.

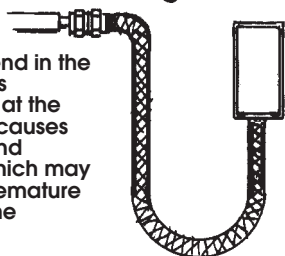


Wrong methods

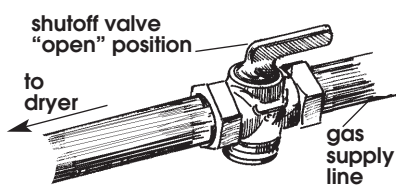
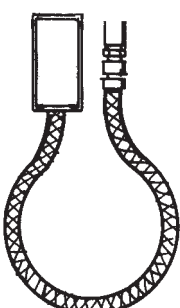
DO NOT OFFSET COUPLINGS — this causes twisting and straining of the flexible gas connector, which may cause premature failure of the connector.



A sharp bend in the flexible gas connector at the couplings causes straining and twisting, which may result in premature failure of the coupling.



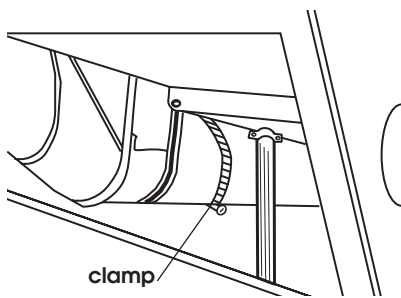
Placing the couplings too close together causes double bends that may result in fatigue failure of the fittings.



21. All connections **must** be wrench-tightened. Open the shutoff valve in the gas supply line.

22. Use a brush and liquid detergent to test **all** gas connections for leaks. Bubbles around connections will indicate a leak. If a leak appears, shut off gas valve controls and adjust connections. Then check connections again.

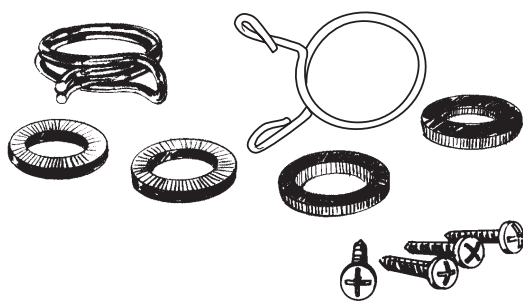
23. Determine the length of exhaust vent that is needed to connect the dryer to the exhaust hood. (See "Exhaust requirements," Panels B and C.)



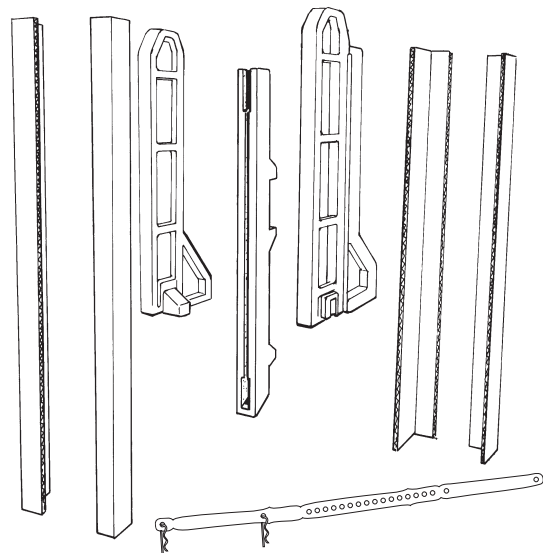
24. Connect exhaust vent to washer/dryer and then to the exhaust hood.

- Use the straightest path possible to avoid 90° turns.
- Use clamp to seal all joints in the exhaust system.
- Use caulking compound to seal exterior wall opening around exhaust hood.

25. CHECK ELECTRICAL REQUIREMENTS. BE SURE YOU HAVE CORRECT ELECTRICAL SUPPLY AND RECOMMENDED GROUND METHOD. Check the Installation Instructions to see that you have completed each step. Complete any missed steps before you continue.

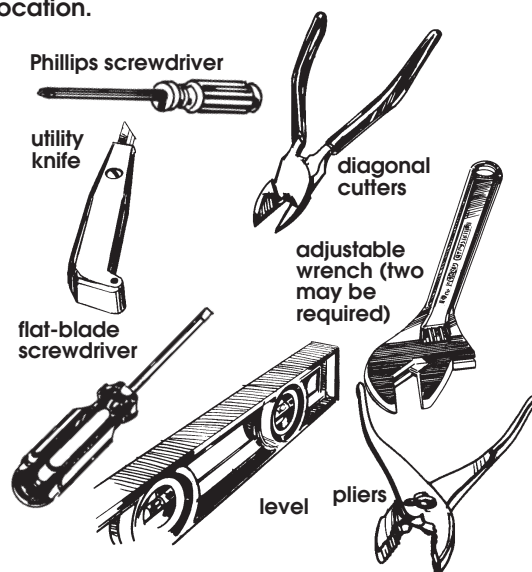


26. Check that all parts are now installed. (See parts list, Panel C.) If there is an extra part, go back through steps to see which step was skipped.



27. Check that you removed all the shipping pieces including the shipping strap with its 2 cotterpins and plug. Dispose of all materials in proper manner.

If you do not remove the shipping strap, your washer/dryer may "walk" away from its location.



28. Check that you have all of your tools.

29. Turn on water faucets and check for leaks. Tighten couplings if there is leaking. Do Not overtighten; this could cause damage to faucet.

30. Replace access panel. Be sure to tighten the three Phillips-head screws at the top of the access panel. Replace the bumper under the center screw.

31. Read the Use and Care Guide to fully understand your new washer/dryer. Open dryer door. Check to be sure lint screen is in its proper position. Wipe out drum.

32. Plug power supply cord into grounded outlet. Now start the washer and allow it to complete the regular cycle.

33. Start dryer to remove air from the gas supply line. Using a full heat cycle (not the air cycle), let the dryer run for at least five minutes. If the burner does not ignite and you can feel no heat inside the dryer, shut off the dryer for five minutes. Check that all supply valve controls are in the "ON" position and that the power supply cord is plugged in. Repeat the five-minute test.

You have successfully installed your new, Whirlpool washer/dryer. To get the most efficient use from your new washer/dryer, read your Whirlpool Use and Care Guide. **Congratulations!** Keep Installation Instructions nearby where you can refer to them. They'll make reinstalling your Whirlpool washer/dryer in another home as easy as the first installation.

When moving the washer/dryer...

- Disconnect the power supply cord, then tape securely to the washer/dryer.
- Shut off the gas supply valve in the gas supply line.
- Disconnect the flexible gas connector and fittings from gas supply line and cap the gas supply line.
- Tape the flexible gas connector to back panel of the washer/dryer. DO NOT DISCONNECT THE FLEXIBLE GAS CONNECTOR FROM THE WASHER/DRYER.
- Unscrew the cable bracket from the wall stud or concrete wall. Save the bracket and four screws.
- Tape the drum to the front panel. Tape the lint screen in place. Tape the dryer door closed.
- Wedge a blanket between the tub ring and cabinet top to restrict tub movement.

Before installing the washer/dryer in your new home, check with your gas supplier or dealer to see that your dryer is equipped with the correct burner for the particular type of gas in your new home. Burner information may be found on the rating plate in the door well of the dryer.

If washer/dryer does not operate properly...

Check the following to be sure that:

1. Electric supply is connected.
2. House fuse or circuit breaker is intact and tight.
3. Washer lid or dryer door is closed.
4. Controls are set in a running or "ON" position.
5. Dryer start button has been firmly pushed.
6. Make sure shipping strap has been completely removed and was used to secure the drain hose to the tub or standpipe.
7. Gas shutoff valve is open in supply line.

If you need assistance...

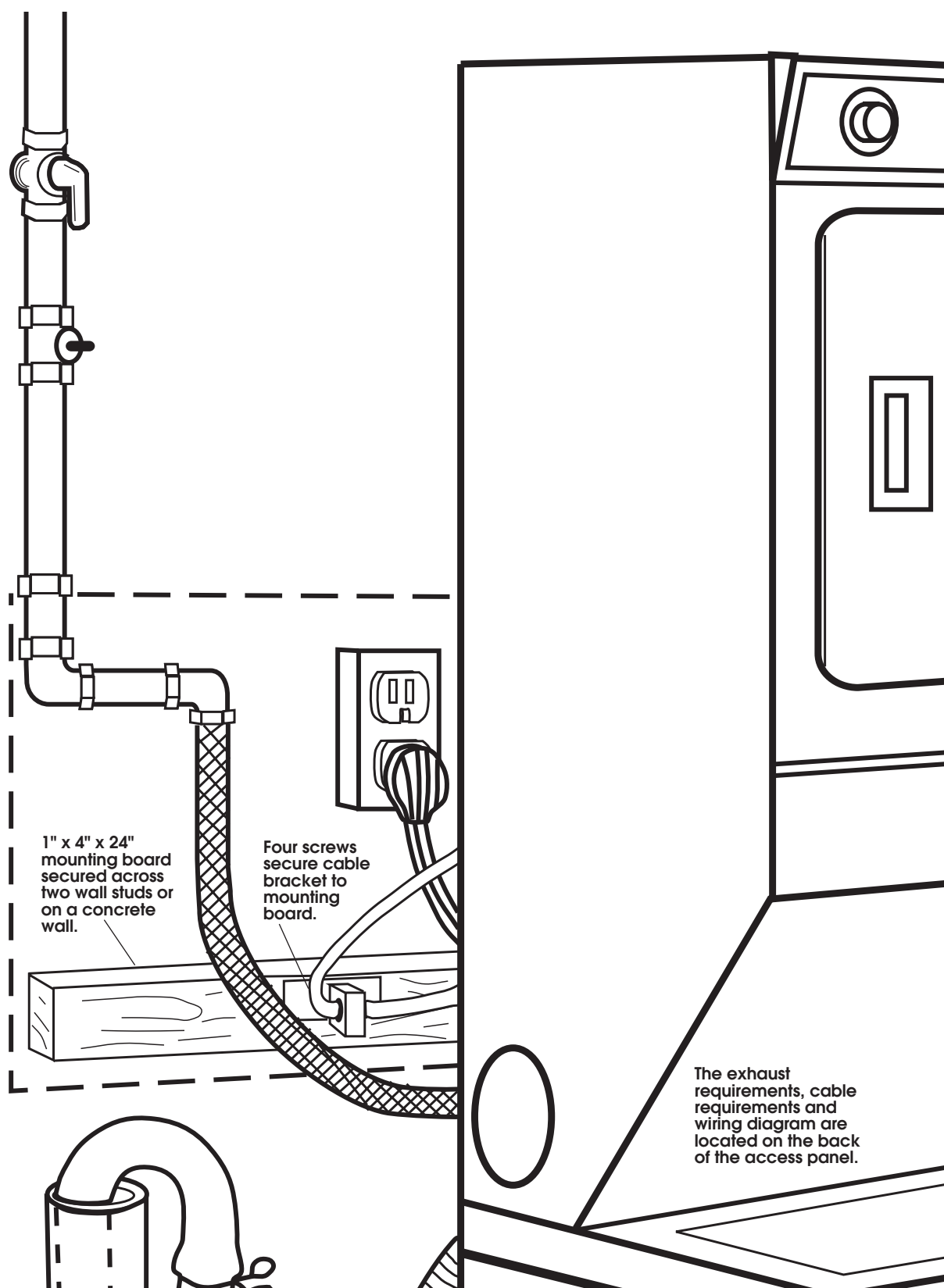
The Whirlpool Customer Interaction Center will answer any questions about operating or maintaining your washer/dryer not covered in the Installation Instructions. The Whirlpool Customer Interaction Center is open 24 hours a day, 7 days a week. Just dial 1-800-253-1301 — the call is free.

When you call, you will need the washer/dryer model number and serial number. Both numbers can be found on the model/serial rating plate located in the door well behind the dryer door and on front of opening.

If you need service...

In the event that your Whirlpool appliance should need service, call the dealer from whom you purchased the appliance or a Whirlpool-designated service company. A Whirlpool-designated service company is listed in the Yellow Pages of your telephone directory under "Appliances — Household — Major — Service or Repair." You can also obtain the service company's name and telephone number by dialing, free, within the continental United States, the Whirlpool Customer Interaction Center telephone number, 1-800-253-1301. A special operator will tell you the name and number of your nearest Whirlpool-designated service company.

Maintain the quality built into your Whirlpool appliance — call a Whirlpool-designated service company.



Recessed and closet installation instructions

This washer/dryer may be installed in a recessed area or closet.

The installation spacing is in inches and is minimum allowable. Additional spacing should be considered for ease of installation, servicing and compliance with local codes and ordinances.

If closet door is installed, the minimum unobstructed air openings in top and bottom are required. Louvered doors with equivalent air openings are acceptable.

Note: No other fuel-burning appliance may be installed in the same closet.

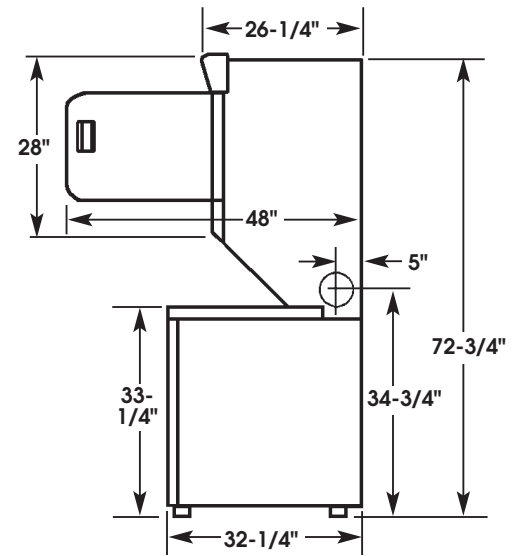
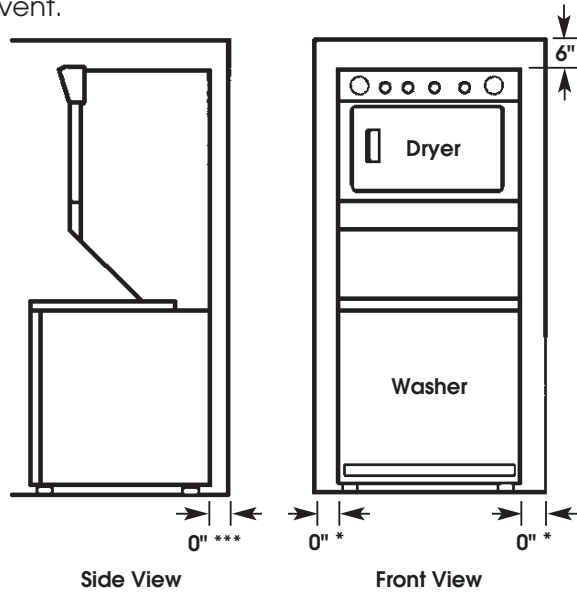
Other installations must use the minimum dimensions indicated.

Product dimensions

Recessed area minimum installation spacing

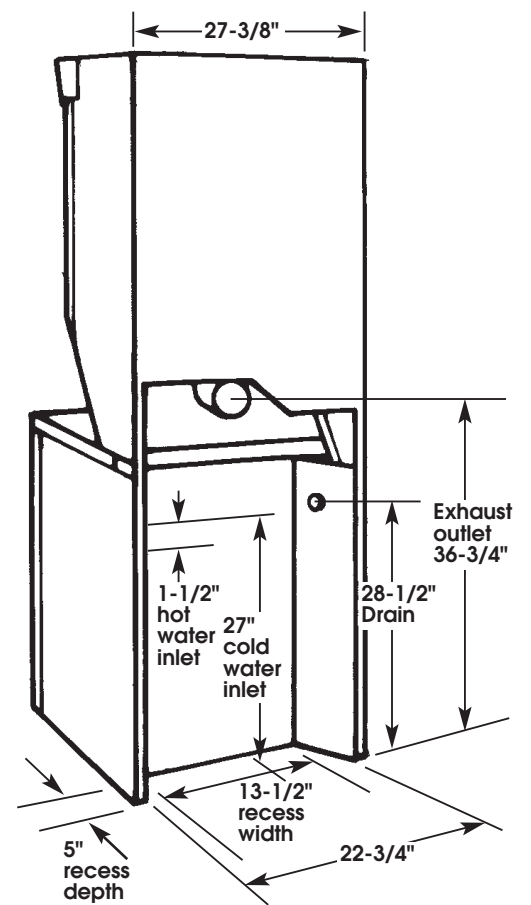
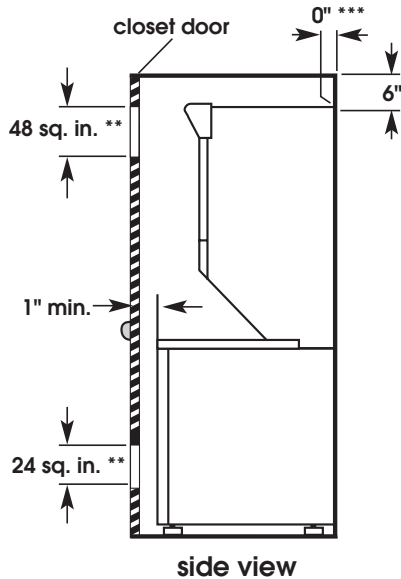
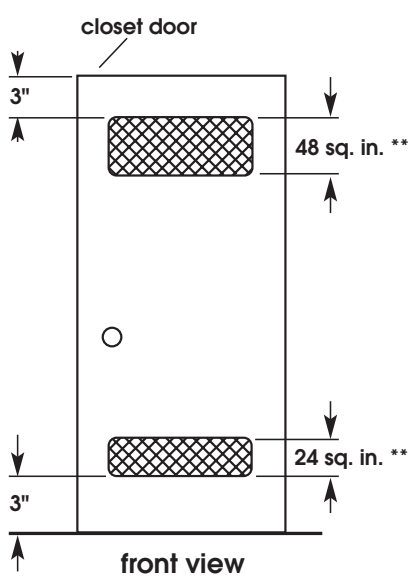
Most installations will require at least 5 inch clearance behind the dryer for the dryer vent.

Location must be large enough to fully open dryer door.



Closet installation must be exhausted outdoors.

WARNING - To reduce the risk of fire, this appliance MUST BE EXHAUSTED OUTDOORS.



- * Additional clearances for wall, door and floor moldings may be required or if external exhaust elbow is used.
- ** Opening is minimum for closet door. Louvered door with equivalent air openings is acceptable.
- *** Additional space may be needed for exhaust elbow.

CRUSH RESISTANT

Dura Safe™ SURE CONNECT™ Vent Kit

Kits Make Installation Easy

- ◆ Provides 4 1/2" clearance between dryer and wall
- ◆ Snap-Lock fittings
- ◆ Total kit length 8 feet
- ◆ Additional vent can be snapped between sections for longer runs

Part #4396028

Kit Contains:

- 2- 4' vent sections with attached close elbows
- 1- Wall plate for close clearance installations
- 2- 4" clamps

"As easy as 1-2-3"

Step 1: Clamp one elbow/vent section to wall and one to dryer.

Step 2: Extend vent upward, almost to top of dryer, then push dryer to wall.

Step 3: From over the top, snap vent together.

Periscopes For Offset Outlets, Tight Installations

- ◆ Provides 2 1/2" clearance between dryer and wall
- ◆ Great for closet installations
- ◆ 0"-18", 18"-29" or 29"-50" periscopes include one male snap-lock fitting, one extra long draw-band collar and one clamp

0"-18" : Part #4396037
18"-29" : Part #4396011
29"-50" : Part #4396014

0"-18" Periscope

- ◆ Use when vent outlets overlap or are offset
- ◆ Excess length can be trimmed to fit

Part #4396037

18"-29" and 29"-50" Periscope

Labels: Swivel collar wall connection, Telescoping sections, Beveled edges allow corner installations, Sections separate, fittings can face same or opposite, Swivel collar, Extra long band-clamp for dryer connection.

18"-29" : Part #4396011 29"-50" : Part #4396014

For more information, or to easily place your order, call

1-800-442-9991

To have your venting professionally installed, call

1-800-253-1301

for the nearest authorized service provider.



Part No. 3395326 Rev. F
© 2000 Whirlpool Corporation
® Registered Trademark of Whirlpool, U.S.A.

Prepared by Whirlpool Corporation,
Benton Harbor, Michigan 49022

Printed in U.S.A.

Free Manuals Download Website

<http://myh66.com>

<http://usermanuals.us>

<http://www.somanuals.com>

<http://www.4manuals.cc>

<http://www.manual-lib.com>

<http://www.404manual.com>

<http://www.luxmanual.com>

<http://aubethermostatmanual.com>

Golf course search by state

<http://golfingnear.com>

Email search by domain

<http://emailbydomain.com>

Auto manuals search

<http://auto.somanuals.com>

TV manuals search

<http://tv.somanuals.com>