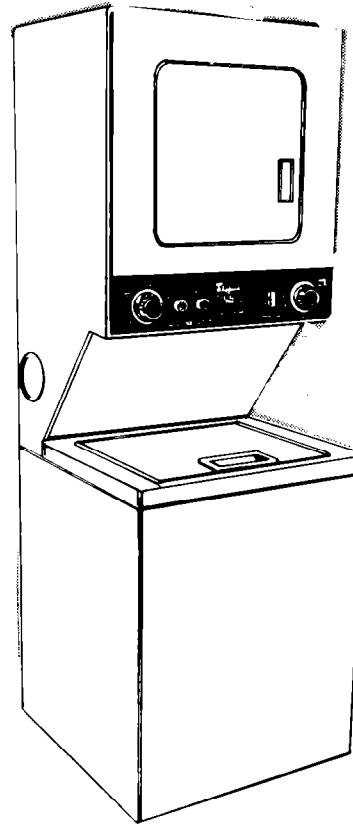


Installation Instructions



Part No. 3397512

IMPORTANT:
Read and save
these instructions.

IMPORTANT

Installer: Leave Installation Instructions with the homeowner.

Homeowner: Keep Installation Instructions for future reference.

Save Installation Instructions for local electrical inspector's use.

**Thin Twin
Washer • Dryer
Four-Wire 240 Volt**



Before you start...

Check location where washer/dryer will be installed. Proper installation is your responsibility. The washer/dryer must not be installed or stored in an area where it will be exposed to water and/or weather. Make sure you have everything necessary for correct installation.

Grounded electrical outlet is required. See "Electrical requirements."

Standpipe drain system: Needs a two-inch diameter standpipe with minimum carry-away capacity of 17 gallons per minute. Top of standpipe must be at least 28 inches high and no higher than 48 inches from floor.

Dryer may be exhausted from the rear or left or right side. Exhausting through the side requires Kit LCK4600. See Exhaust requirements, Panel B.

Floor drain system: Requires a siphon break, Part No. 285320 available from Whirlpool-authorized parts distributors.

Support: Floor must be sturdy enough to support washer/dryer weight, with water and clothes, of 375 pounds.

Important: Observe all governing codes and ordinances.

Check code requirements: Some codes limit or do not permit installation of clothes dryers in garages, closets, mobile homes and sleeping quarters. (Contact your local building inspector.)

Hot and cold water faucets: Must be within 4 feet of the back of the washer/dryer and provide water pressure of 5-100 PSI.

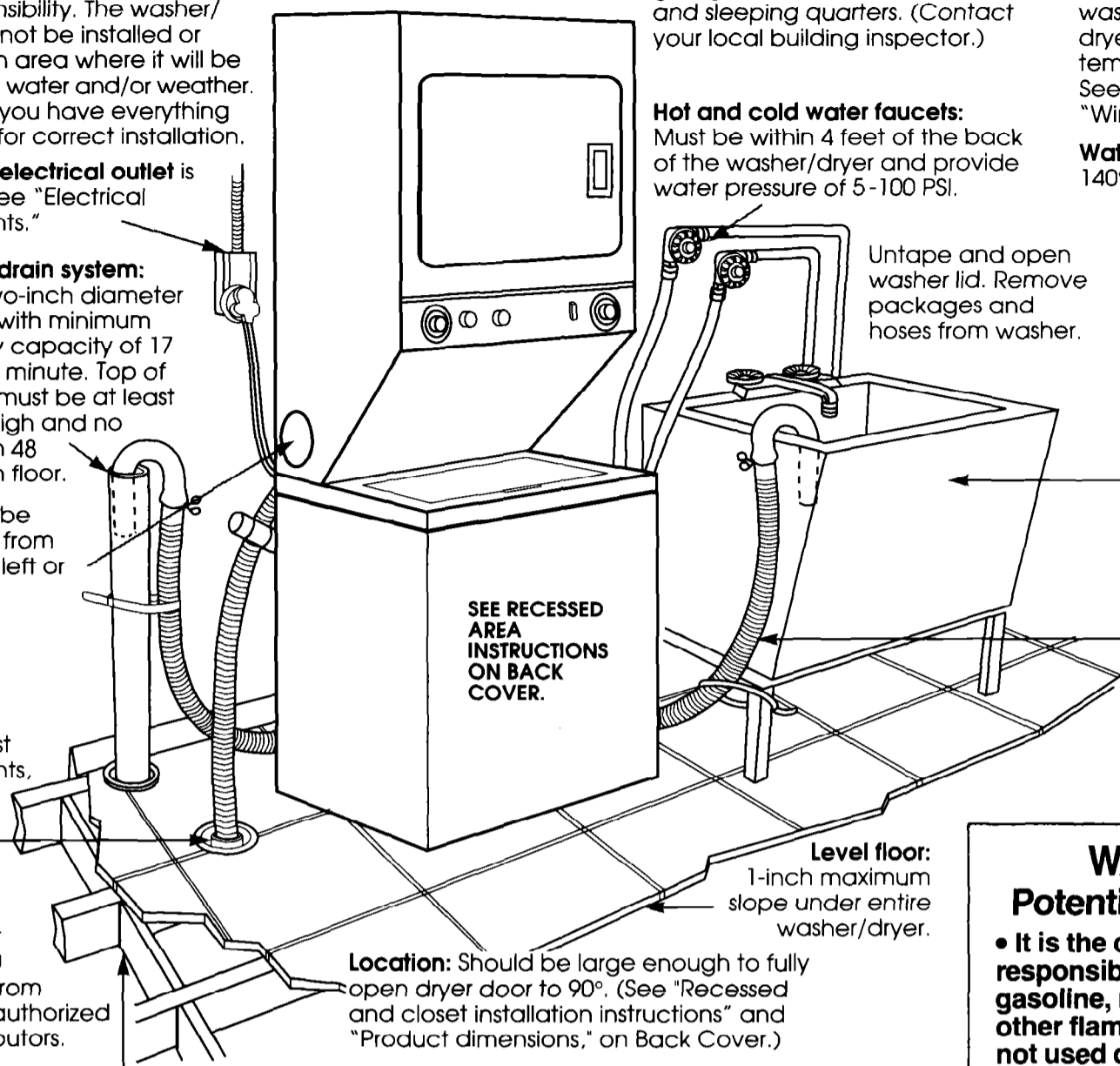
Protection from weather: Do not store or operate washer/dryer below 32°F (some water may remain in washer). Proper operation of dryer cycles require temperatures above 45°F. See Use and Care Guide for "Winterizing" information.

Water heater: Set to deliver 140°F water to the washer.

Check utilities: Proper water and electric supply connections **must** be available.

Laundry tub drain system: Needs a 20-gallon laundry tub. Top of tub must be at least 28 inches high and no higher than 48 inches from floor.

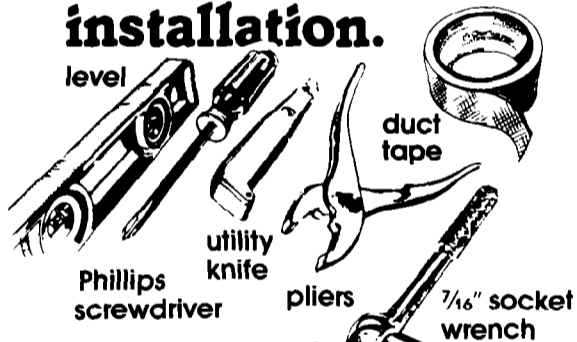
If a longer drain hose is needed, drain hose (Part No. 388423) and hose extension kit (Part No. 285442) are available from Whirlpool-authorized parts distributors.



Location: Should be large enough to fully open dryer door to 90°. (See "Recessed and closet installation instructions" and "Product dimensions," on Back Cover.)

It is the personal responsibility of the customer to contact a qualified installer to assure that the electrical installation is adequate and in conformance with the National Electrical Code ANSI/NFPA 70 – latest edition, and all local codes and ordinances.

Tools needed for installation.



Electrical requirements

Electrical ground is required on this appliance.

DANGER: Improper connection of the equipment grounding conductor can result in a risk of electrical shock. Check with a qualified electrician or service technician if you are in doubt as to whether the appliance is properly grounded.

Do not modify the plug with the appliance – if it will not fit the outlet, have a proper outlet installed by a qualified electrician.

1. A three-wire, single phase, 120/240-volt, 60-Hz, AC only, electrical supply, with a fourth wire as a grounding wire, (or three-wire, 120/208-volt electrical supply with a fourth wire as a grounding wire if specified on nameplate) is required on a separate 30-ampere circuit, fused on both sides of the line. The fourth (grounding) conductor must be identified by a green or green/yellow cover and the neutral conductor by a white cover. (Time-delay fuse or circuit breaker is recommended.) Do not have a fuse in the neutral or grounding circuit.

2. This washer/dryer is equipped with a 30-amp-rated, four-wire, flexible type, power supply cord (pigtail) and a 3/4" U.L.-listed strain relief (See Figure 1). Where local codes permit, it must be plugged into a mating, 30-amp receptacle (NEMA Type 14-30R). (See Figure 2.)

Figure 1



3/4" U.L.-listed strain relief or Whirlpool Part No. 687000 to fit a one-inch hole.

(14-30R)
4-wire receptacle
Typical 30-amp receptacle; use where local codes permit flexible type power supply cord (pigtail).

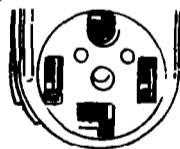


Figure 2

3. IF THE POWER SUPPLY CORD IS REMOVED, THE WASHER/DRYER MUST BE CONNECTED WITH 10-GAUGE COPPER WIRE ONLY. Aluminum wire must not be used at the dryer appliance terminal block to avoid potentially unsatisfactory connections. See Panel F, "Alternate electrical connection," for detailed instructions.

4. When removing the power supply cord (pigtail), the appliance may be connected directly to the fuse disconnect (or circuit breaker) box through flexible armored or non-metallic sheathed, 10-gauge copper cable. Allow two or three feet of slack in the line between the wall and the appliance so that it can be moved if servicing is ever necessary. A 3/4" U.L.-listed strain relief must be provided at each end of the power supply cable (at the appliance and at the junction box). Wire size (10-GAUGE COPPER WIRE ONLY) and connection must conform with the rating of the appliance (30 amperes). Do Not use an extension cord.

WARNING: Potential Fire Hazard

- It is the customer's personal responsibility to ensure that gasoline, paint, thinners and other flammable material are not used or stored near the washer/dryer. Fumes from these materials could result in fire or explosion.
- Never install washer/dryer up against draperies or curtains. Keep any and all items from falling or collecting behind the washer/dryer.
- Replace all access panels before operating washer/dryer.

FOR YOUR SAFETY:

- Do not exhaust dryer into a chimney, furnace cold air duct, attic or crawl space, or any other duct used for venting. Accumulated lint could become a fire hazard or moisture could cause damage.
- The exhaust system should be cleaned at least every 2 years.
- Flexible duct should never be installed concealed in walls, ceiling or floor.

(10-30R) Figure 3
3-wire receptacle



5. If you must change to a three-wire, single-phase, 120/240-volt, 60-hz, AC only, electrical supply system: Local codes may permit the use of a U.L.-listed, 120/240-volt minimum, 30-ampere, dryer power supply cord kit (pigtail) with a receptacle of NEMA Type 10-30R. (See Figure 3.) This cord contains three, No. 10 copper wires and matches a three-wire receptacle of NEMA Type 10-30R. (Shown in Figure 3.) Connectors on the dryer end must be ring terminals or spade terminals with upturned ends. A 3/4" U.L.-listed strain relief must be provided at the point the power supply cord enters the appliance. The three-wire power supply cord is not provided with the washer/dryer. A kit, Part No. 687104, is available from your Whirlpool dealer.

NOTE: If local codes require permanently connected wiring, see "Alternate electrical connection," Panel F.

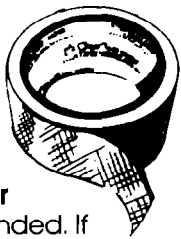
To convert to three-wire electrical system, the four-wire power supply cord must be removed and the appliance cabinet must be grounded according to local codes either by using the neutral terminal or a separate grounding wire. (See Panel F, "Alternate electrical connection," for detailed instructions.)

Exhaust requirements

WARNING: Potential Fire Hazard

- **Metal**, flexible duct may be used. Do Not use non-metallic flexible duct since it is a potential fire hazard.
- **Four-inch Metal Exhaust Duct** is required.

Use Duct Tape to seal all joints.



Exhausting the dryer

outside is recommended. If dryer cannot be exhausted outside, use Exhaust Deflector Kit LCK4500 available from your Whirlpool dealer.

Exhausting the dryer through the side of the washer/dryer requires use of Side Exhaust Kit LCK4600. Follow installation instructions with the kit for proper exhaust installation.

Mobile Home Exhaust

Requirements: see Panel F, Alternate Exhaust Methods.

Metal Flexible Duct must be fully extended and supported when the dryer is in its final position. **DO NOT KINK OR CRUSH THE DUCT.**

Exhaust Duct should end with an exhaust hood to prevent exhausted air from returning into dryer. The outlet of the hood must be at least 12 inches from the ground or any object that may be in the path of exhaust.

2½-inch outlet Exhaust Hood should be used with short systems only. This outlet creates greater backward pressure than other hood types.

Exhaust Hoods with magnetic latches should not be used.

Maximum Length of the exhaust system depends upon the type of duct used, number of elbows and type of exhaust hood. The maximum length for both rigid and flexible duct is shown in chart.

NUMBER OF 90° TURNS	EXHAUST HOOD TYPE			
	4"	4"	2½"	
0	43 FT.	41 FT.	36 FT.	MAXIMUM LENGTH OF 4" DIA. RIGID METAL DUCT.
1	33 FT.	31 FT.	26 FT.	
2	23 FT.	21 FT.	16 FT.	
0	30 FT.	29 FT.	24 FT.	MAXIMUM LENGTH OF 4" DIA. FLEXIBLE METAL DUCT.
1	24 FT.	23 FT.	18 FT.	
2	16 FT.	15 FT.	10 FT.	

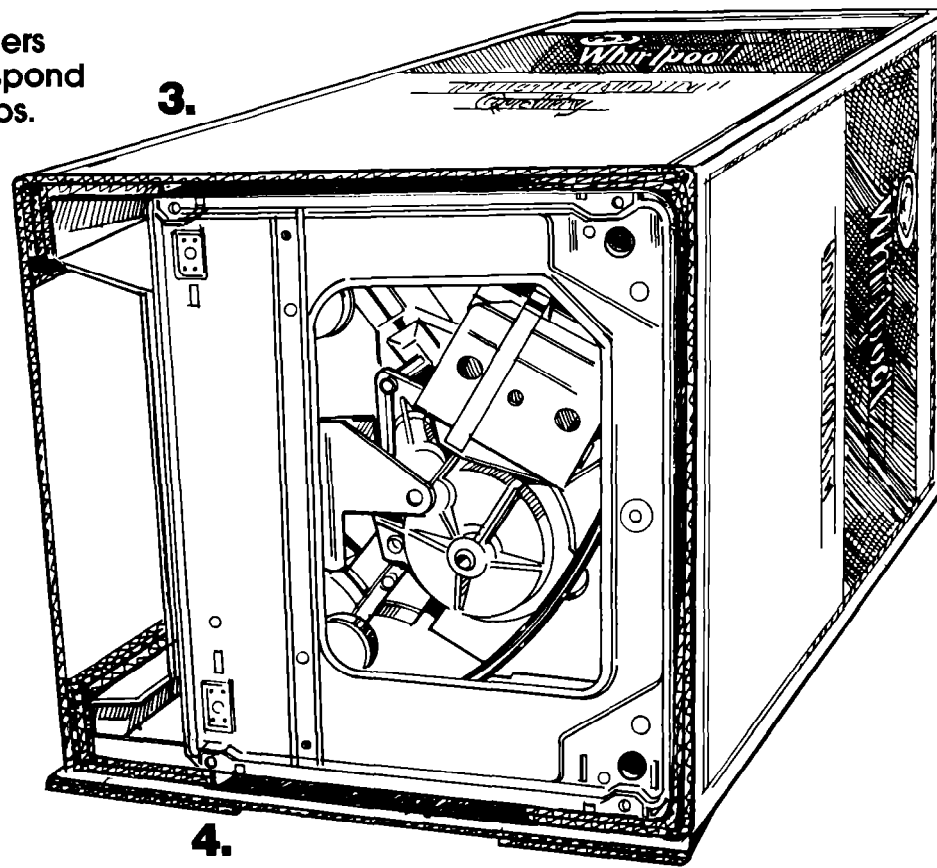
WARNING: Potential Fire Hazard

Exhaust Systems longer than specified will:

- Accumulate lint.
- Shorten the life of the dryer.
- Reduce performance – cause longer drying times and increase energy usage.

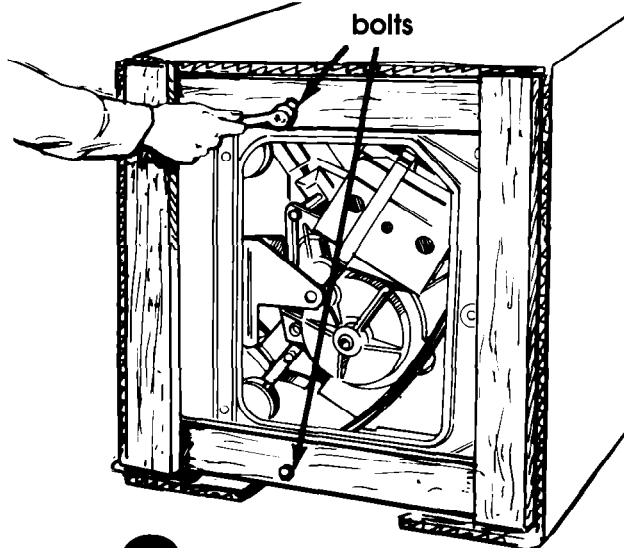
The back pressure in any exhaust system used must not exceed 0.3 inches of water column, measured with an incline manometer, at the point that the exhaust duct connects the dryer.

Numbers correspond to steps.

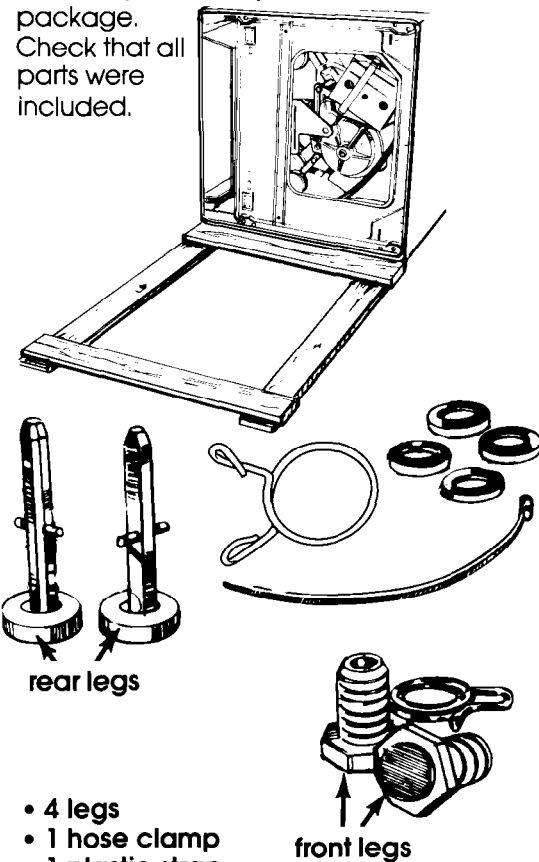


Now start...

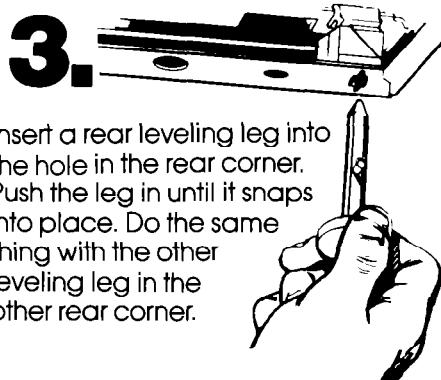
- 1.** Use a 7/16-inch socket wrench to remove two bolts holding the wood pallet to the bottom of the washer/dryer.



- 2.** Remove pallet. Remove parts from plastic package. Check that all parts were included.

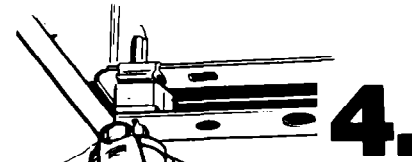


- 4 legs
- 1 hose clamp
- 1 plastic strap
- 4 flat, water-hose washers
- 1 small clamp

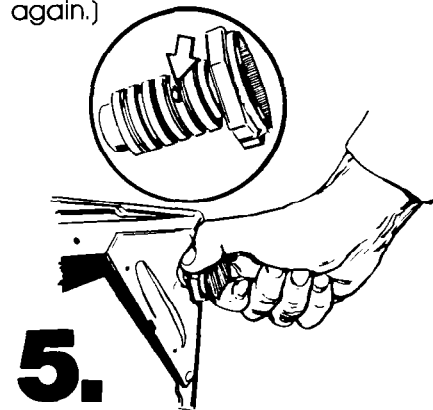


- 3.** Insert a rear leveling leg into the hole in the rear corner. Push the leg in until it snaps into place. Do the same thing with the other leveling leg in the other rear corner.

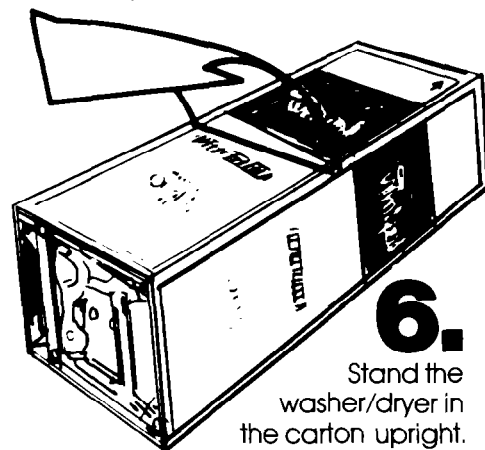
5.



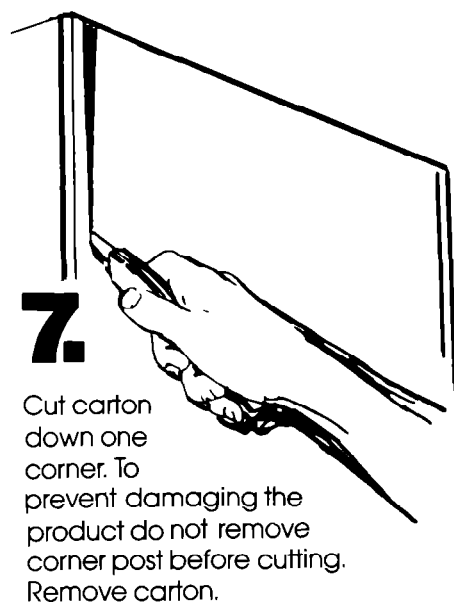
- 4.** Push up on one leg, check to see if the other leg goes down. Check the other leg in the same way. (If the legs don't adjust, go through step 3 again.)



- 5.** Find the diamond marking in the ridges of the front legs. Start to screw the front legs into the hole in the triangular brace at the front corner of the machine. A little liquid detergent to lubricate the threads will help. Use pliers to turn the leg all the way to the diamond.



- 6.** Stand the washer/dryer in the carton upright. **Because of the weight and size of the washer/dryer, two people are required.**

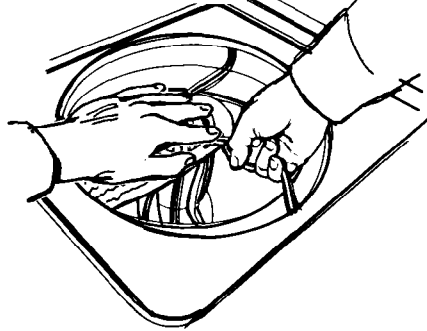


- 7.** Cut carton down one corner. To prevent damaging the product do not remove corner post before cutting. Remove carton.

8.

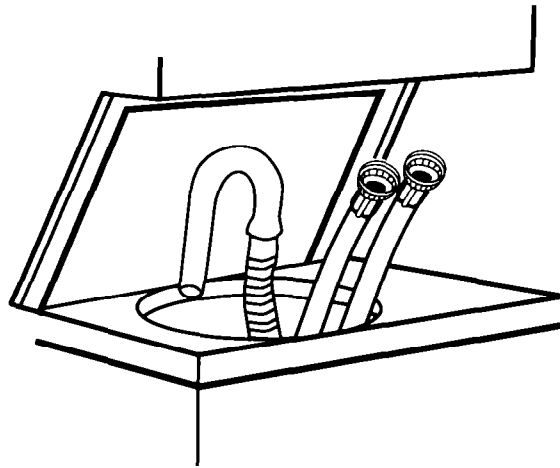
Remove the 2 rear corner posts and cardboard pieces attached to the back of the washer/dryer. Remove the two corner pieces attached to lower front of the washer/dryer. **Do not** remove the foam shipping pieces between the washer and dryer until the unit is in place.

Read yellow card



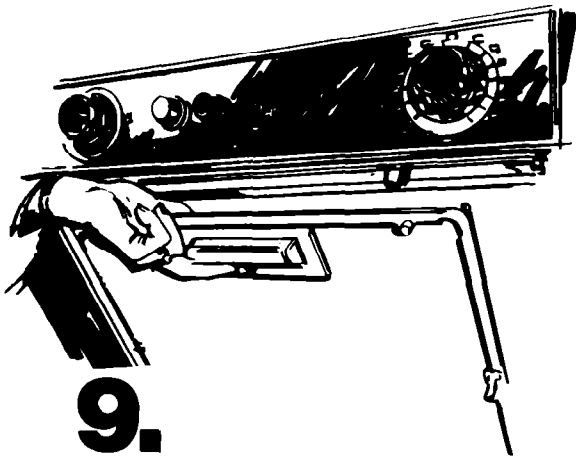
11.

Remove the yellow card. Take hoses out of basket. Place hoses with other parts.



9.

Move foam shipping pieces outward just enough to clear the washer lid. Open washer lid. Latch under the dryer will hold lid open.



Shipping strap with key

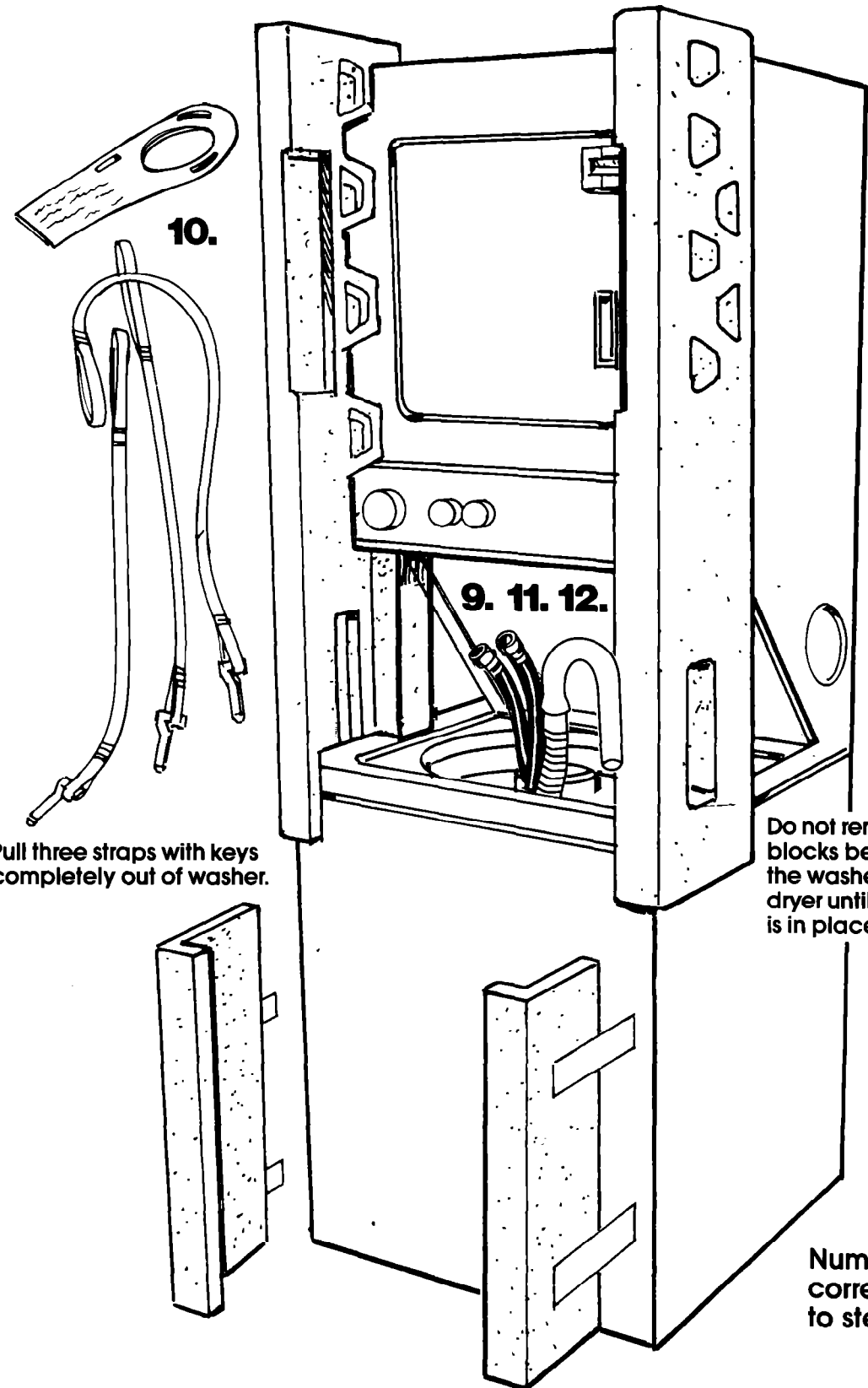
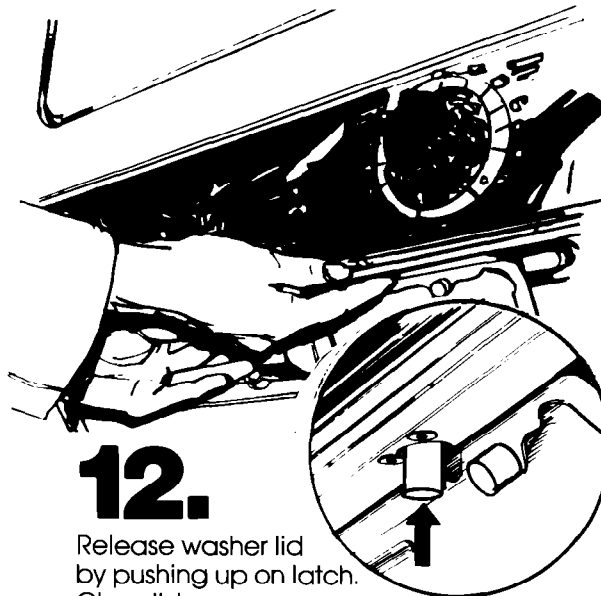


10.

Read yellow card. Place hand on the top of the agitator when removing the shipping straps. Firmly jerk, then pull the three (3) shipping straps up until strap with key is completely removed from washer. Put straps in the same area as rear corner shipping pieces.

12.

Release washer lid by pushing up on latch. Close lid.



10.

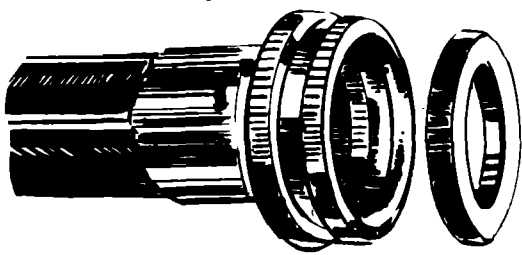
9. 11. 12.

8.

Do not remove blocks between the washer and dryer until unit is in place.

Numbers correspond to steps.

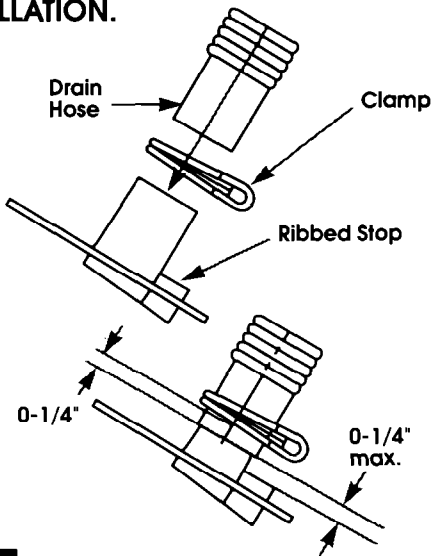
Use new hoses and washers that came with your Whirlpool washer/dryer.



13. coupling washer

Insert a flat washer into **each** end of the inlet hoses. Check that washers are firmly seated in couplings.

IMPORTANT: THIS PROCEDURE MUST BE FOLLOWED TO ASSURE PROPER INSTALLATION.



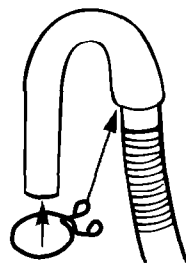
15.

To prevent the drain hose from coming off or leaking, it must be installed per the following instructions:

1. Wet the inside end of the drain hose with tap water. **DO NOT USE ANY OTHER LUBRICANT.**
2. Squeeze ears of clamp with pliers to open and place clamp over the end of the drain hose.
3. While holding clamp open, work end of drain hose onto drain connector until drain hose is within 1/4 inch of ribbed stop.
4. When the end of the drain hose is within 1/4 inch of ribbed stop, position clamp on drain hose so that the bottom of the clamp is 1/4 inch from the end of the hose. Release pliers.

16.

Open clamp and slide over "hook" end of drain hose to secure the rigid and corrugated sections together.



Use caution when moving this appliance to prevent damage to floor covering. Before moving, slide washer/dryer onto cardboard or hardboard to prevent floor damage.

17.

Move washer/dryer close to final position. Put "hook" end of drain hose into laundry tub or standpipe. Check for proper length of drain hose.

DO NOT FORCE EXCESS LENGTH OF DRAIN HOSE DOWN THE STANDPIPE. THIS COULD CAUSE SIPHONING.



18.

Before attaching water inlet hoses, run water through both faucets into a bucket. This will get rid of particles in water lines that might clog hoses. Mark which is the hot water faucet.

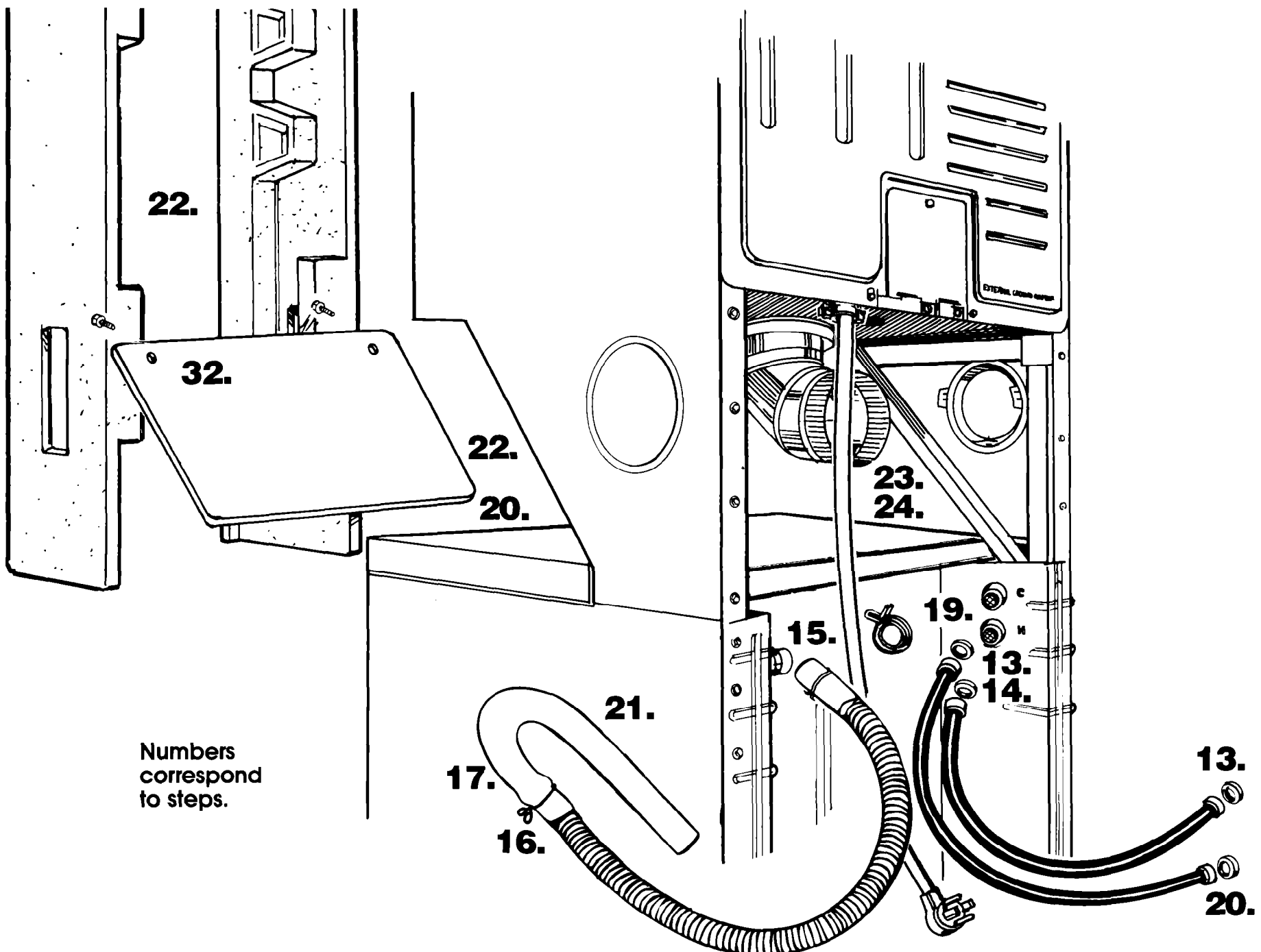
19.

Attach bottom hose (inlet marked "H") to hot water faucet. Attach top hose (inlet marked "C") to cold water faucet. Tighten the coupling to the faucet by hand, then use pliers to make final two-thirds turn.

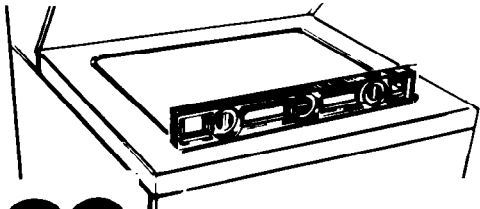
14.

Attach hose to bottom inlet valve opening first. Then second hose to top inlet valve. Tighten couplings by hand, then use pliers to make an additional two-thirds turn.

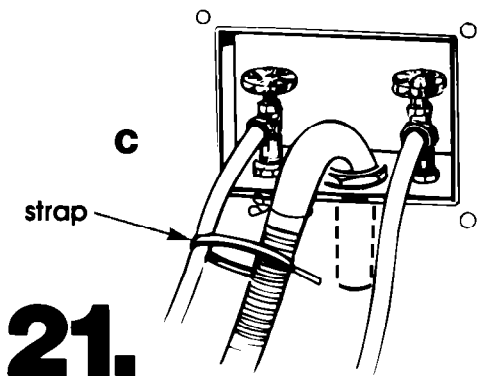
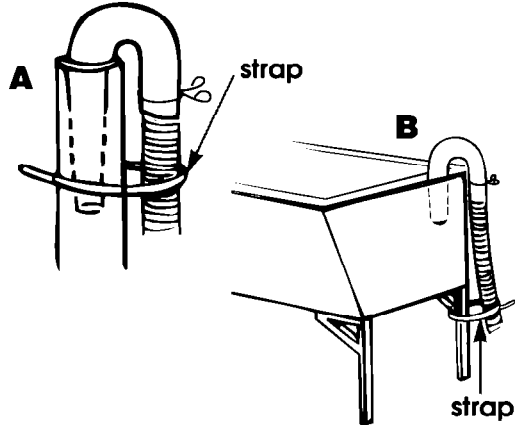
Inlet valves are plastic, do not strip or crossthread.



Move washer/dryer to its permanent location.



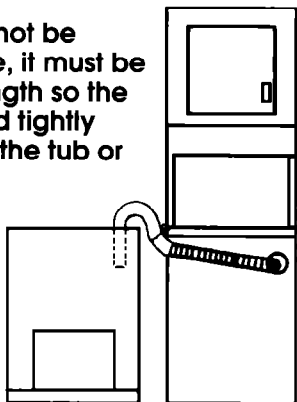
20. Check levelness of washer/dryer by placing a carpenter's level on top of washer, first side to side then front to back. If it is not level, screw the front legs up or down to adjust. Tilt washer/dryer forward raising back legs 1" off of floor to adjust rear self-leveling legs. Gently lower washer to floor. Make final check with level.



21. Put "hook" end of drain hose in tub or standpipe. Tightly wrap the plastic strap around the drain hose or tub or standpipe or inlet hose as shown in Figures A-C.

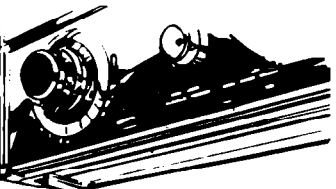
If drain hose cannot be strapped in place, it must be cut exactly to length so the "hook" end is held tightly over the edge of the tub or standpipe.

If a longer drain hose is needed, drain hose (Pat No. 388423) and hose extension kit (Part No. 285442) are available from a



Whirlpool-authorized parts distributors. If drain hose must be shortened, use hose kit (Part No. 285442).

Note: If washer/dryer is moved to adjust drain hose, the washer/dryer must be leveled again. Repeat Step 20. Place cardboard under the washer/dryer and carefully move washer/dryer to avoid damaging floor covering.



22.

Remove the two foam shipping pieces between washer and dryer and place with other shipping pieces. If the exhaust ductwork cannot

be connected from the side of the washer/dryer, the exhaust duct can be reached from the front, through the access panel. Remove the access panel by unscrewing 2 Phillips head screws located at the top of the panel. Set panel and screws aside.

23.

To exhaust the dryer straight from back of the washer/dryer unit, determine if any additional exhaust duct is needed (see exhaust requirements, Panel B). To exhaust the dryer to either side or inside check if additional exhaust duct is needed and see Alternate Exhaust Methods, Panel F. Connect exhaust duct to exhaust hood.

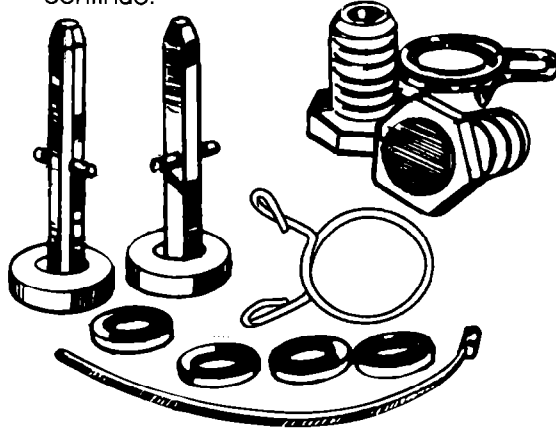


24.

Use duct tape to seal all joints.

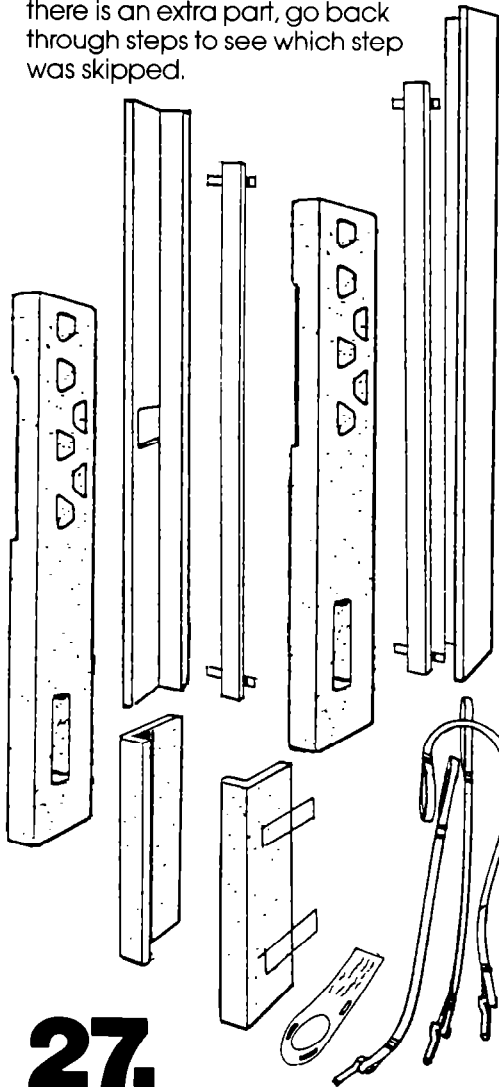
25.

CHECK ELECTRICAL REQUIREMENTS. BE SURE YOU HAVE CORRECT ELECTRICAL SUPPLY AND RECOMMENDED GROUNDING METHOD. Check the installation instructions to see that you have completed each step. Complete any missed steps before you continue.



26.

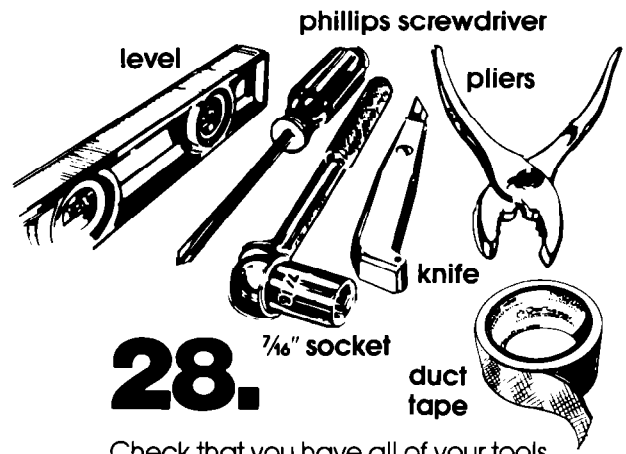
Check that all parts are now installed. See parts list, Panel B. If there is an extra part, go back through steps to see which step was skipped.



27.

Check that you removed all the shipping pieces including the three shipping straps with keys.

If you do not remove the shipping straps, your washer/dryer may "walk" away from its location.



28.

Check that you have all of your tools.

29.

Turn on water faucets and check for leaks. Tighten couplings if there is leaking.

30.

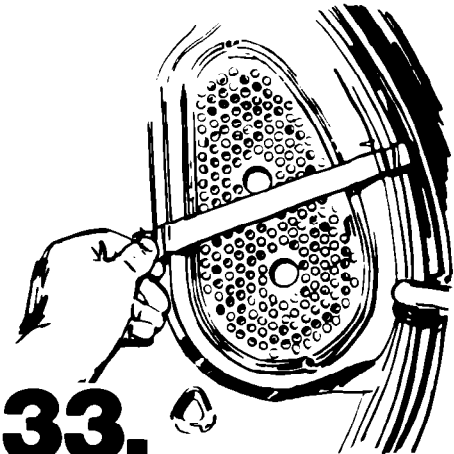
Plug electrical cord into grounded outlet.

31.

If access panel was removed to install ductwork, replace access panel. Be sure to tighten both screws.

32.

Take a few minutes and read the Use and Care Guide to fully understand your new washer/dryer. Now start the washer and allow it to complete the regular cycle.



33.

Remove tape from dryer door and open door. Remove the tape across the dryer lint screen. Check to be sure lint screen is in its proper position. Wipe out drum. Start dryer and allow it to complete a cycle to make sure the dryer is working properly.

34.

Finally, save all literature and keep with the washer/dryer. Save all shipping materials for reshipping.

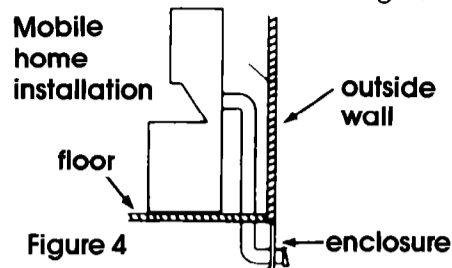
You have successfully installed your new Whirlpool washer/dryer. To get the most efficient use from your new washer/dryer, read your Whirlpool Use and Care Guide.

Congratulations!

Keep installation instructions nearby where you can refer to them. They'll make re-installing your Whirlpool washer/dryer in another home as easy as the first installation.

Alternate exhaust methods

The washer/dryer installed in a mobile home **must** be exhausted outside. When the dryer is exhausted through the floor, the exhaust system **must** terminate outside the enclosed area under the mobile home. Extension beyond the mobile home will prevent lint and moisture buildup under the mobile home. See Figure 4.



Alternate electrical connection

Disconnect power supply cord from electric supply before making these changes.

Electrical ground is required on this appliance.

DANGER – Improper connection of the equipment-grounding conductor can result in risk of electric shock. Check with a qualified electrician or service technician if you are in doubt as to whether the appliance is properly grounded.

Do not modify the plug with the appliance – if it will not fit the outlet, have a proper outlet installed by a qualified electrician.

Four-wire electrical supply system

This appliance is manufactured with a 30-amp-rated, four-wire, flexible type power supply cord with the green, grounding wire connected to the internal, grounding connector. (See Figure 7.)

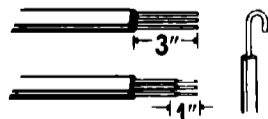
To remove the power supply cord –

Disconnect power supply.

1. Remove the terminal block cover from the dryer.
2. Disconnect the power supply cord from the terminal block.
3. Disconnect the green grounding wire of the power supply cord from the internal grounding connector.
4. Loosen the two screws in the strain relief.
5. Pull downward on the power supply cord until it is removed from the dryer.

Direct wiring connection

1. Strip outer covering back 3 inches from the end exposing the 3 wires.
2. Strip the insulation back 1 inch from the end of each wire. Form the bare wire into a "U" shaped hook.



Plain-end wiring

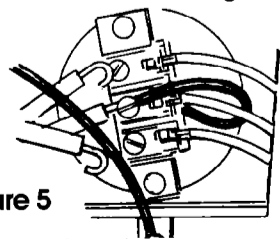


Figure 5

3. Loosen, do not remove, screws from terminal block. Attach wires according to instructions for type of connection needed.
4. Slide the end of each wire under the screw head with the open side of the hook on the right. Squeeze the wire together to form a loop.
5. Tighten each screw firmly.

To connect a separate grounding wire –

Use grounding wire and clamp assembly (Part No. 685463) or No. 10 gauge minimum copper grounding wire. Connect grounding wire to a grounded cold water pipe* with the clamp and then to the external grounding connector on the washer/dryer. **Do not ground to a gas supply pipe or hot water pipe.** Do not connect the power supply cord to electrical supply until the appliance is permanently grounded.

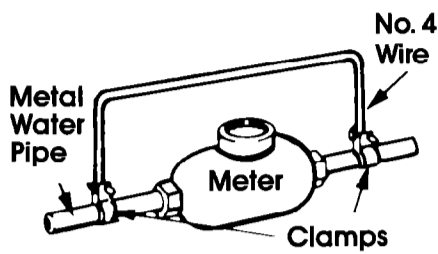


Figure 6

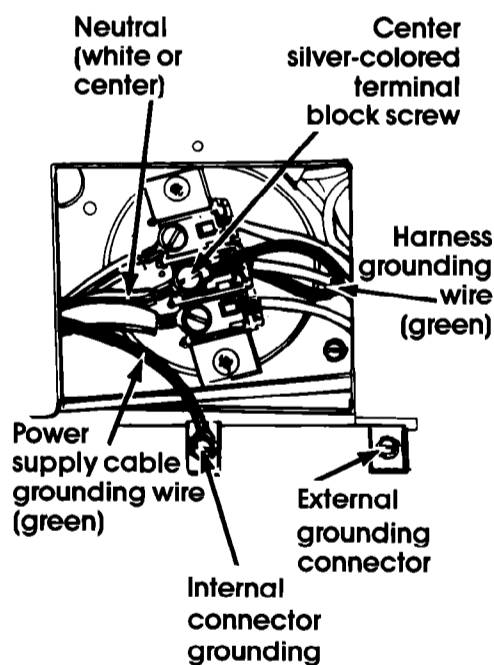
*Grounded cold water pipe must have metal continuity to electrical ground and not be interrupted by plastic, rubber or other electrical insulating connectors such as hoses, fittings, washer or gaskets (including water meter or pump). Any electrical insulating connector should be jumped as shown in Figure 6 with a length of No. 4 wire securely clamped to bare metal at both ends.

When local codes...

DO NOT PERMIT the use of the flexible 4-wire power supply cord that comes equipped with the washer/dryer and

Permit copper power supply cable and

Permit connecting the cabinet-grounding conductor to the neutral wire of the power supply cable:



4 wire ungrounded neutral

Figure 7

1. Remove the power cord equipped with the washer/dryer as instructed. See "To remove power supply cord," Panel F.
2. Install copper 4-wire power supply cable and a 3/4" U.L.-listed strain relief.
3. Connect the grounding wire (green) of the copper 4-wire power supply cable to the internal grounding connector.
4. Connect the neutral wire (white) of the power supply cable and the harness green grounding wire to the center, silver-colored terminal screw of the terminal block. Connect the other wires to the outer terminals. See Figure 7. For plain-end wires, see "Direct wiring connection," Panel F.
5. Replace the terminal block cover.

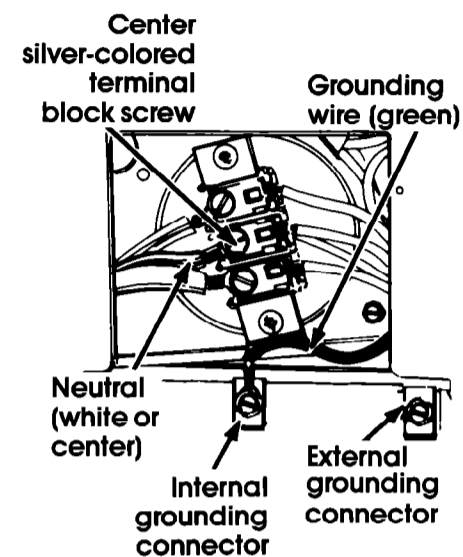
To convert to a three-wire electrical supply system.

When local codes...

A.

Permit use of a flexible-type power supply cord (pigtail) plugged into a matching, 30-amp receptacle (See "Electrical requirements," Panel A) and

Permit connection of the internal grounding conductor to the neutral wire of the power supply cord:



Grounded neutral

Figure 8

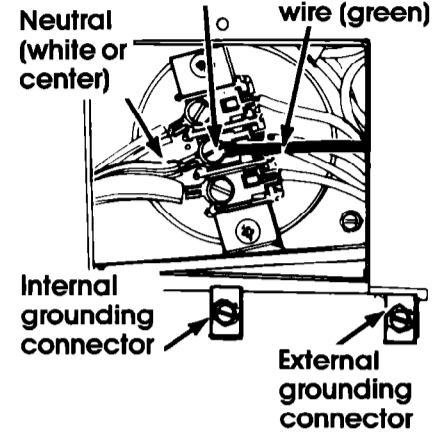
1. Remove the power supply equipped with the washer/dryer as instructed. See Panel F, "To remove the power supply cord."
2. Install a three-wire power supply cord (See Electrical Requirements, Panel A) through the strain relief.
3. Connect the harness grounding wire (green) to the internal grounding connector.
4. Connect the neutral wire (white) of the power supply cord to the center, silver-colored terminal screw of the terminal block. Connect the other wires to the outer terminals. See Figure 8. For plain-end wires, see "Direct wiring connection," Panel F.
5. Replace terminal box cover.

When local codes...

B.

Permit the use of a flexible-type power supply cord (pigtail) but **DO NOT Permit** connecting cabinet-grounding conductor to the wire of the power supply:

Center silver-colored terminal block screw Grounding wire (green)



Ungrounded neutral

Figure 9

Connect separate copper grounding wire (No. 10 minimum) from external grounding connector to approved ground.

1. Remove the power supply cord equipped with the washer/dryer as instructed. See Panel F, "To remove the power supply cord."
2. Connect the neutral wire (white) of the power supply cord to the center, silver-colored terminal screw of the terminal block. Connect the other wires to the outer terminals. See Figure 9. For plain-end wires, see "Direct wiring connection," Panel F.
3. Connect a separate copper grounding wire (No. 10 minimum). See "To connect a separate grounding wire, Panel F for detailed instructions.
4. Replace terminal block cover.

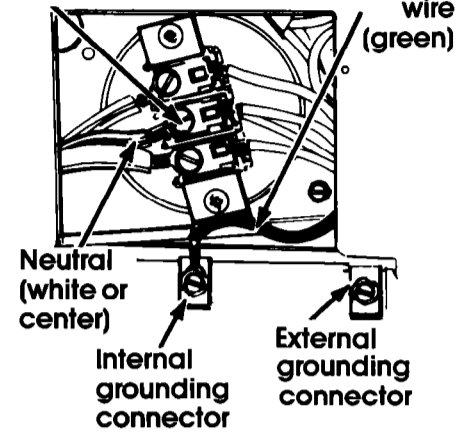
When local codes...

C.

DO NOT Permit the use of a flexible 3-wire power supply cord and **Permit** copper power supply cable and

Permit connecting cabinet-grounding conductor to the neutral (white) of the power supply cable:

Center silver-colored terminal block screw Grounding wire (green)



Grounded neutral

Figure 10

1. Remove the power cord equipped with the washer/dryer as instructed. See Panel F, "To remove the power supply cord."
2. Install copper power supply cable (See Electrical Requirements, Panel A) through the strain relief.
3. Connect the harness grounding wire (green) to the internal grounding connector.
4. Connect the neutral wire of the flexible armored or nonmetallic sheathed copper power supply cable to the center, silver-colored terminal screw of the terminal block. Connect the other wires to the outer terminals. See Figure 10. For plain-end wires, see "Direct wiring connection," Panel F.
5. Replace the terminal block cover.

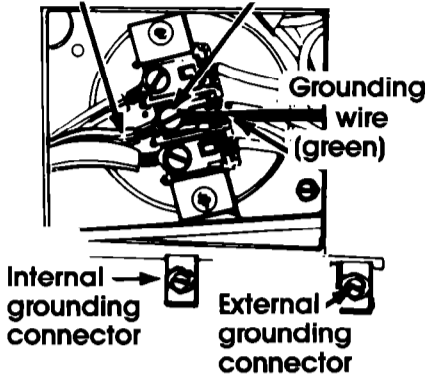
When local codes...

D.

DO NOT permit the use of the flexible power supply cord and **Permit** copper power supply cable but

DO NOT Permit connecting cabinet-grounding conductor to the neutral wire of the power supply cable:

Neutral (white or center) **Center silver-colored terminal block screw**

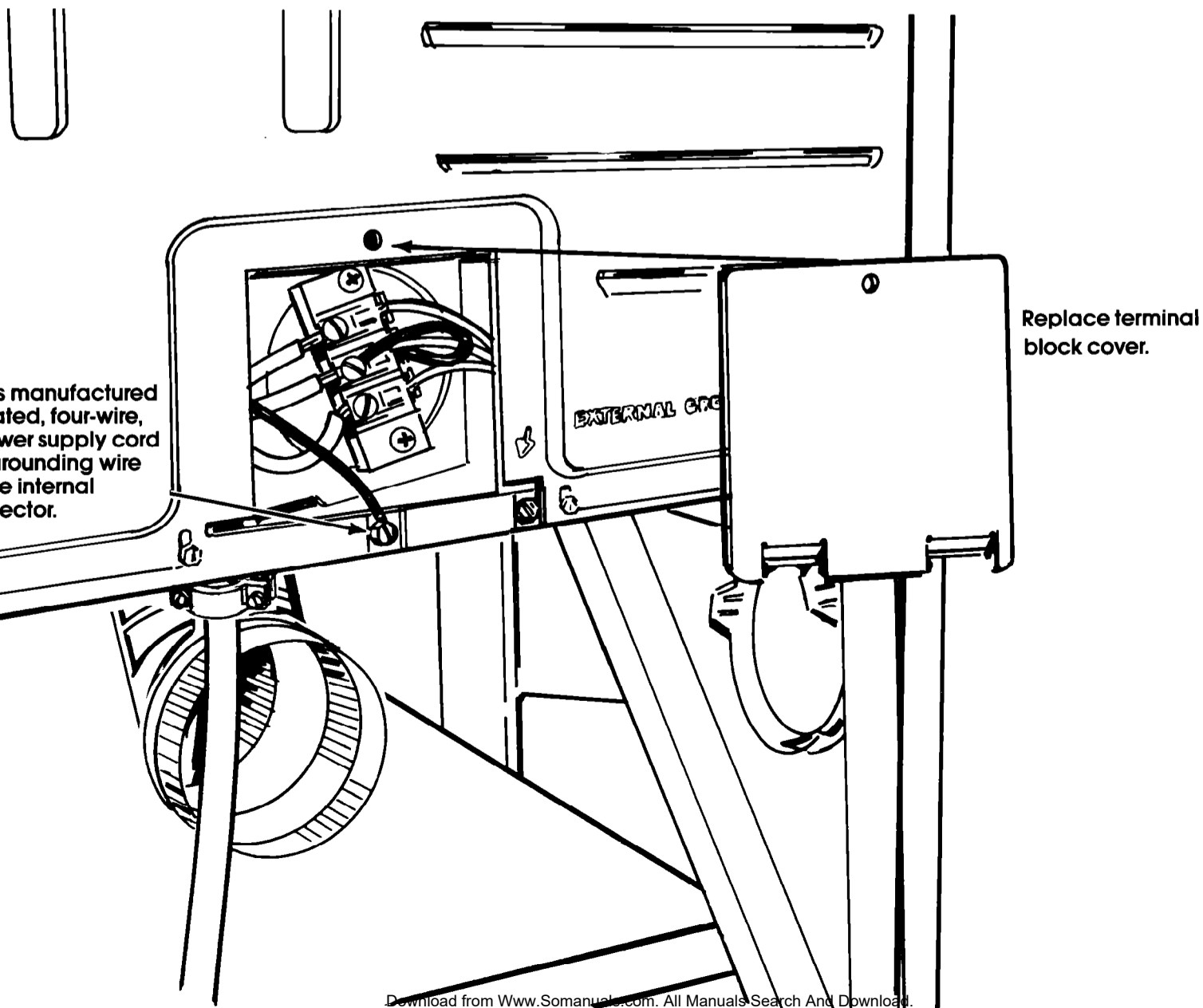


Ungrounded neutral

Figure 11

Connect separate copper grounding wire (No. 10 minimum) from external grounding connector to approved ground.

1. Remove the power cord equipped with the washer/dryer as instructed. See Panel F, "To remove the power supply cord."
2. Install copper power supply cable (See Electrical Requirements, Panel A) through the strain relief.
3. Connect the neutral wire of the flexible armored or nonmetallic sheathed copper power supply cable to the center, silver-colored terminal screw of the terminal block. Connect the other wires to the outer terminals. See Figure 11. For plain-end wires, see "Direct wiring connection," Panel F.
4. Connect a separate copper grounding wire (No. 10 minimum). See "To connect a separate grounding wire, Panel F for detailed instructions.
5. Replace terminal block cover.



Recessed area instructions

This washer/dryer may be installed in a recessed area or closet.

The installation spacing is in inches and is minimum allowable. Additional spacing should be considered for ease of installation and servicing.

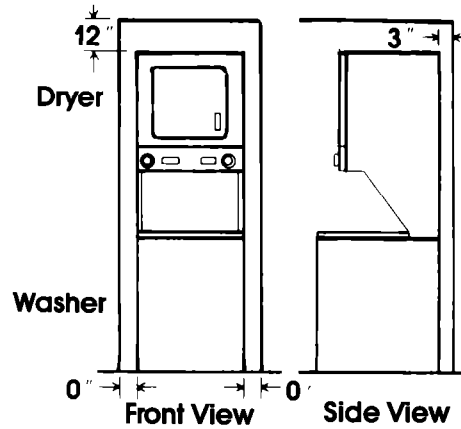
If closet door is installed the minimum air openings in top and bottom is required. Louvered doors with equivalent air openings is acceptable.

Warning: for closet installation, to reduce the risk of fire this appliance MUST BE EXHAUSTED OUTDOORS.

Other installations must use the minimum dimensions indicated.

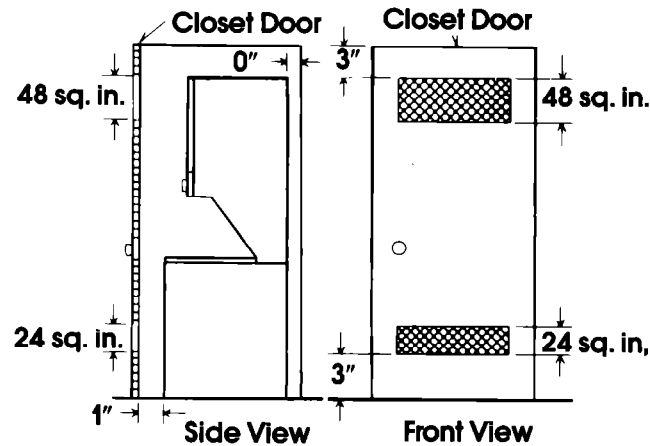
To prevent large amounts of lint and moisture from accumulating and to maintain drying efficiency, this appliance must be exhausted outdoors.

Recessed non-exhausted installation must use only the rear exhaust position and Exhaust Deflector LCK4500 is required.



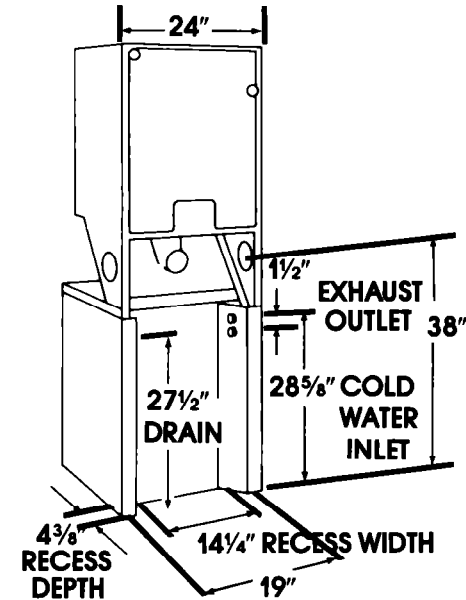
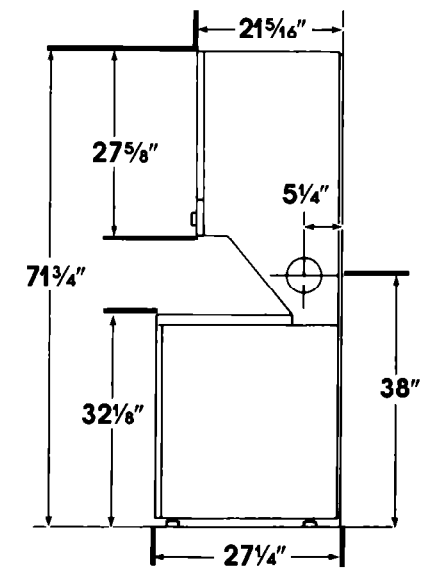
Minimum installation spacing

Note: If recessed installation is exhausted all spacing can be 0". Additional clearances for wall, door and floor moldings may be required.



Closet installation must be exhausted.

Product dimensions



Free Manuals Download Website

<http://myh66.com>

<http://usermanuals.us>

<http://www.somanuals.com>

<http://www.4manuals.cc>

<http://www.manual-lib.com>

<http://www.404manual.com>

<http://www.luxmanual.com>

<http://aubethermostatmanual.com>

Golf course search by state

<http://golfingnear.com>

Email search by domain

<http://emailbydomain.com>

Auto manuals search

<http://auto.somanuals.com>

TV manuals search

<http://tv.somanuals.com>